

**CITY OF RENTON**  
**SURFACE WATER**  
**DESIGN MANUAL**

**CITY OF RENTON**  
**PUBLIC WORKS DEPARTMENT**  
**SURFACE WATER UTILITY**

December 12, 2016

**Note:**

Some pages in this document have been purposely skipped or blank pages inserted so that this document will copy correctly when duplexed.

---

# **INTRODUCTION**

## **TABLE OF CONTENTS**

### **AND OVERVIEW**



#### **CITY OF RENTON**

# **SURFACE WATER**

## **DESIGN MANUAL**

*(This page intentionally left blank.)*

---

## TABLE OF CONTENTS

---

### CHAPTER 1

#### DRAINAGE REVIEW AND REQUIREMENTS

Section	Page	1.4 Adjustment Process	1-99
<b>1.1 Drainage Review</b>	<b>1-11</b>	1.4.1 Adjustment Authority	1-99
1.1.1 Projects Requiring Drainage Review	1-12	1.4.2 Criteria for Granting Adjustments	1-99
1.1.2 Drainage Review Types and Requirements	1-12	1.4.3 Adjustment Application Process	1-100
1.1.3 Drainage Review Required By Other Agencies	1-22	1.4.4 Adjustment Review Process	1-101
1.1.4 Drainage Design Beyond Minimum Compliance	1-22	1.4.5 Appeals	1-101
<b>1.2 Core Requirements</b>	<b>1-23</b>		
1.2.1 Core Requirement #1: Discharge at the Natural Location	1-23		
1.2.2 Core Requirement #2: Offsite Analysis	1-24		
1.2.3 Core Requirement #3: Flow Control Facilities	1-35		
1.2.4 Core Requirement #4: Conveyance System	1-50		
1.2.5 Core Requirement #5: Construction Stormwater Pollution Prevention	1-54		
1.2.6 Core Requirement #6: Maintenance and Operations	1-59		
1.2.7 Core Requirement #7: Financial Guarantees and Liability	1-61		
1.2.8 Core Requirement #8: Water Quality Facilities	1-63		
1.2.9 Core Requirement #9: On-Site BMPs	1-73		
<b>1.3 Special Requirements</b>	<b>1-89</b>		
1.3.1 Special Requirement #1: Other Adopted Area-Specific Requirements	1-89		
1.3.2 Special Requirement #2: Flood Hazard Area Delineation	1-90		
1.3.3 Special Requirement #3: Flood Protection Facilities	1-91		
1.3.4 Special Requirement #4: Source Controls	1-92		
1.3.5 Special Requirement #5: Oil Control	1-94		
1.3.6 Special Requirement #6: Aquifer Protection Area	1-97		

---

## TABLE OF CONTENTS

---

<b>CHAPTER 2</b>		<b>CHAPTER 3</b>	
<b>DRAINAGE PLAN SUBMITTAL</b>		<b>HYDROLOGIC ANALYSIS &amp; DESIGN</b>	
<b>Section</b>	<b>Page</b>	<b>Section</b>	<b>Page</b>
<b>2.1 Plans for Permits and Drainage Review</b>	<b>2-3</b>	<b>3.1 Hydrologic Design Standards and Principles</b>	<b>3-3</b>
2.1.1 Plans Required for Pre-Application Submittal	2-3	3.1.1 Hydrologic Impacts and Mitigation	3-3
2.1.2 Site Plans Required for Drainage Review	2-3	3.1.2 Flow Control Standards	3-5
<b>2.2 Plans Required with Construction Permit Application</b>	<b>2-5</b>	3.1.3 Hydrologic Analysis Using Continuous Models	3-5
2.2.1 Subdivision, PUD, and Binding Site Plans	2-6	<b>3.2 Runoff Computation and Analysis Methods</b>	<b>3-9</b>
2.2.2 Short Subdivisions	2-7	3.2.1 Rational Method	3-11
2.2.3 Commercial Site Development	2-7	3.2.2 Continuous Models and the Runoff Files Method	3-19
2.2.4 Single-Family Residential	2-7	3.2.3 The Approved Model	3-30
2.2.5 Other Permits	2-7	3.2.4 The HSPF Model	3-30
<b>2.3 Drainage Review Plan Specifications</b>	<b>2-9</b>	<b>3.3 Hydrologic Design Procedures and Considerations</b>	<b>3-33</b>
2.3.1 Engineering Plan Specifications	2-10	3.3.1 General Hydrologic Design Process	3-33
2.3.2 Projects in Targeted Drainage Review (TDR)	2-34	3.3.2 Flow Control Design Using the Runoff Files Method	3-34
<b>2.4 Plans Required After Drainage Review</b>	<b>2-35</b>	3.3.3 Conveyance System Design with the Runoff Files Method	3-37
2.4.1 Plan Changes After Permit Issuance	2-35	3.3.4 Safety Factors in Hydrologic Design	3-38
2.4.2 Final Corrected Plan Submittal	2-35	3.3.5 Design Options for Addressing Downstream Drainage Problems	3-38
2.4.3 Final Plat, Short Plat, and Binding Site Plan Submittals	2-36	3.3.6 Point of Compliance Analysis	3-38
		3.3.7 Onsite Closed Depressions and Ponding Areas	3-41

---

## TABLE OF CONTENTS

---

**CHAPTER 4****CONVEYANCE SYSTEM ANALYSIS & DESIGN**

Section	Page
<b>4.1 Route Design and Easement Requirements</b>	<b>4-3</b>
4.1.1 Route Design	4-3
4.1.2 Easement and Setback Requirements	4-3
<b>4.2 Pipes, Outfalls, and Pumps</b>	<b>4-7</b>
4.2.1 Pipe Systems	4-7
4.2.2 Outfall Systems	4-30
4.2.3 Pump Systems	4-36
<b>4.3 Culverts and Bridges</b>	<b>4-37</b>
4.3.1 Culverts	4-37
4.3.2 Culverts Providing for Fish Passage/Migration	4-50
4.3.3 Bridges	4-52
<b>4.4 Open Channels, Floodplains, and Floodways</b>	<b>4-55</b>
4.4.1 Open Channels	4-55
4.4.2 Floodplain/Floodway Analysis	4-71

**CHAPTER 5****FLOW CONTROL DESIGN**

Section	Page
<b>5.1 Detention Facilities</b>	<b>5-3</b>
5.1.1 Detention Ponds	5-3
5.1.2 Detention Tanks	5-17
5.1.3 Detention Vaults	5-21
5.1.4 Control Structures	5-25
5.1.5 Parking Lot Detention	5-35
5.1.6 Roof Detention	5-35
5.1.7 Simple Detention Pond for Cleared Areas	5-35
<b>5.2 Infiltration Facilities</b>	<b>5-43</b>
5.2.1 General Requirements for Infiltration Facilities	5-43
5.2.2 Infiltration Ponds	5-54
5.2.3 Infiltration Tanks	5-57
5.2.4 Infiltration Vaults	5-60
5.2.5 Infiltration Trenches	5-62
5.2.6 Alternative Infiltration Systems	5-63
5.2.7 Small Infiltration Basins	5-64

---

## TABLE OF CONTENTS

---

**CHAPTER 6****WATER QUALITY DESIGN**

<b>Section</b>	<b>Page</b>	<b>Section</b>	<b>Page</b>
<b>6.1 Water Quality Menus</b>	<b>6-3</b>	<b>6.6 Oil Control Facility Designs</b>	<b>6-127</b>
6.1.1 Basic Water Quality Menu	6-5	6.6.1 Catch Basin Inserts	6-127
6.1.2 Enhanced Basic Water Quality Menu	6-8	6.6.2 Oil/Water Separators	6-127
6.1.3 Sensitive Lake Protection Menu	6-10	<b>6.7 Proprietary Facility Designs</b>	<b>6-141</b>
6.1.4 Sphagnum Bog Protection Menu	6-14	6.7.1 Ecology Requirements	6-141
6.1.5 High-Use Menu	6-15	6.7.2 City of Renton Requirements	6-141
6.1.6 Pretreatment Facilities	6-17	<b>6.8 Bioretention Facility Designs</b>	<b>6-145</b>
<b>6.2 General Requirements for WQ Facilities</b>	<b>6-19</b>	6.8.1 Bioretention	6-145
6.2.1 Water Quality Design Flows and Treatment Volumes	6-19	<b>6.9 WSDOT WQ Facility Designs</b>	<b>6-159</b>
6.2.2 Sequence of Facilities	6-22	6.9.1 Media Filter Drain	6-159
6.2.3 Setbacks, Slopes, and Embankments	6-24	6.9.2 Compost-Amended Filter Strips	6-169
6.2.4 Facility Liners	6-28	6.9.3 Compost-Amended Biofiltration Swales	6-170
6.2.5 Flow Splitter Designs	6-32		
6.2.6 Flow Spreading Options	6-36		
<b>6.3 Vegetated Flowpath Facility Designs</b>	<b>6-41</b>		
6.3.1 Basic Bioswales	6-41		
6.3.2 Wet Bioswales	6-57		
6.3.3 Lateral Inflow Bioswales	6-59		
6.3.4 Standard Filter Strips	6-60		
6.3.5 Narrow Area Filter Strips	6-68		
<b>6.4 Wetpool Facility Designs</b>	<b>6-69</b>		
6.4.1 Wetponds — Basic and Large	6-69		
6.4.2 Wetvaults	6-84		
6.4.3 Stormwater Wetlands	6-90		
6.4.4 Combined Detention and Wetpool Facilities	6-96		
<b>6.5 Filtration Facility Designs</b>	<b>6-101</b>		
6.5.1 General Requirements For Filtration Facilities	6-101		
6.5.2 Sand Filters — Basic and Large	6-102		
6.5.3 Sand Filter Vaults	6-118		
6.5.4 Linear Sand Filters	6-123		



---

## TABLE OF CONTENTS

---

**DEFINITIONS****APPENDICES****APPENDIX A**

**Maintenance Requirements for Stormwater Facilities and On-site BMPs**

**APPENDIX B**

**Master Drainage Plan Objective, Criteria, Components and Review Process**

**APPENDIX C**

**Simplified Drainage Requirements**

**APPENDIX D**

**Construction Stormwater Pollution Prevention Standards**

**REFERENCE**

- 1. Surface Water Runoff Policy**
- 2. Adopted Critical Drainage Areas**
- 3. Other Adopted Area Specific Drainage Requirements**
- 4. Other Drainage Related Regulations and Guidelines**
  - A Grading Code Soil Amendment Standard
  - B Clearing & Grading Seasonal Limitations
  - C Landscape Management Plan Guidelines
  - D Shared Facility Maintenance Responsibility Guidance
- 5. Wetland Hydrology Protection Guidelines**
- 6. Hydrologic/Hydraulic Design Methods**
  - A Infiltration Rate Test Methods
  - B Pond Geometry Equations
  - C Introduction to Level Pool Routing
  - D Supplemental Modeling Guidelines

**REFERENCE (continued)****7. Engineering Plan Support**

- A King County Standard Map Symbols
- B Standard Plan Notes and Example Construction Sequence
- C Stormfilter Facility Access and Cartridge Configuration

**8. Forms and Worksheets**

- A Technical Information Report (TIR) Worksheet
- B Offsite Analysis Drainage System Table
- C Water Quality Facility Sizing Worksheets
- D Flow Control and Water Quality Facility Summary Sheet and Sketch
- E CSWPP Worksheet Forms
- F Adjustment Application Form and Process Guidelines
- G Dedication and Indemnification Clause – Final Recording
- H Bond Quantities Worksheet
- I Maintenance and Defect Agreement
- J Drainage Facility Covenant
- K Drainage Release Covenant
- L Drainage Easement
- M On-Site BMP Covenant and Maintenance Instructions (recordable format)
- N Impervious Surface Limit Covenant
- O Clearing Limit Covenant
- P River Protection Easement
- Q Leachable Metals Covenant
- R Agreement to Construct Improvements

**9. Interim Changes to Requirements**

- A Blanket Adjustments
- B Administrative Changes

**10. King County-Identified Water Quality Problems****11. Materials**

- A (VACANT)
- B (VACANT)
- C Bioretention Soil Media Standard Specifications
- D (VACANT)
- E Roofing Erodible or Leachable Materials

## TABLE OF CONTENTS

---

**12. (VACANT)**

**13. (VACANT)**

**14. Supplemental Approved Facilities**

- A City of Renton Approved Proprietary Facilities for Use on Private Development Projects
- B City of Renton Approved Proprietary Facilities for Use in Public Projects

**15. Reference Maps**

- A Flow Control Application Map
- B Groundwater Protection Areas
- C Soil Survey

# INTRODUCTION

## OVERVIEW

The intent of this document is to provide requirements and guidance for the design, construction, and maintenance of on-site best management practices (BMPs), flow control facilities and water quality treatment facilities that are approved through the development permit process. This document is based on the 2016 King County Surface Water Design Manual with some modifications. Revisions have been made to the 2016 King County Surface Water Manual to reflect City of Renton-specific requirements.

## PURPOSE OF AND NEED FOR THIS DOCUMENT

The City's adoption this manual is required to comply with federal stormwater regulations. Specifically, the City's Phase II National Pollutant Discharge Elimination System (NPDES) municipal stormwater permit establishes regulations for jurisdictions that:

1. Own and operate a storm drain system;
2. Discharge to surface waters;
3. Are located in urbanized areas; and
4. Have a population greater than 1,000.

Washington State's Department of Ecology (Ecology), who oversees stormwater requirements in the state, has developed the 2012 Stormwater Management Manual for Western Washington, as amended in 2014, which complies with the NPDES requirements. In addition, Ecology has approved the 2016 King County Surface Water Design Manual as equivalent to the 2012 Stormwater Management Manual for Western Washington, as amended in 2014. The new surface water standards outlined in these manuals generally increase the use of low impact development (LID) principles and practices. The new standards add requirements to manage stormwater on-site to minimize impacts to water quality and aquatic habitat in the City.

## ORGANIZATION

The chapters of this manual are organized as follows:

Chapter 1 – DRAINAGE REVIEW AND REQUIREMENTS

Describes the basic drainage requirements that implement the City of Renton's adopted surface water runoff policies and explains how these requirements are applied to proposed projects through the drainage review process.

Chapter 2 – DRAINAGE PLAN SUBMITTAL

Describes the requirements and specifications for submittal of design plans for drainage review, including report and plan formats, and scopes.

Chapter 3 – HYDROLOGIC ANALYSIS AND DESIGN

Presents the acceptable methods of hydrologic analysis used to estimate runoff and design flow control, conveyance, and water quality facilities.

Chapter 4 – CONVEYANCE SYSTEM ANALYSIS AND DESIGN

Presents the acceptable methods, details, and criteria for analysis and design of conveyance systems.

Chapter 5 – FLOW CONTROL DESIGN

Presents the acceptable methods, details, and criteria for analysis and design of flow control facilities.

Chapter 6 – WATER QUALITY DESIGN

Presents the acceptable methods, details, and criteria for analysis and design of water quality facilities.

DEFINITIONS – A comprehensive list of the words, terms, and abbreviations accompanied by their meaning as applied in this manual.

APPENDICES:

- APPENDIX A – MAINTENANCE REQUIREMENTS FOR STORMWATER FACILITIES AND ON-SITE BMPs

Contains the thresholds and standards for maintenance of all flow control facilities, on-site BMPs, conveyance systems, and water quality facilities required in this manual.

- APPENDIX B – MASTER DRAINAGE PLAN OBJECTIVES, CRITERIA AND COMPONENTS, AND REVIEW PROCESS

Describes in a general outline, the objectives, criteria, components and review process for Master Drainage Plans prepared for Urban Planned Developments and very large projects.

- APPENDIX C – SIMPLIFIED DRAINAGE REQUIREMENTS

Describes, the simplified drainage requirements for smaller projects that qualify for Simplified Drainage Review.

- APPENDIX D – CONSTRUCTION STORMWATER POLLUTION PREVENTION STANDARDS

Describes, the required measures to be implemented during construction to prevent discharges of sediment-laden runoff from the project site. It also describes effective management practices for spill control and chemical pollutants used during construction that may be needed to supplement the required erosion and sedimentation control measures.

REFERENCE – Includes materials that are strictly **for reference only** and have not been adopted by the public rule adopting this manual. The applicant is responsible to ensure that the most current materials are used in preparing a permit application.

## KEY REVISIONS

This section identifies the key revisions that the City has made to the 2016 King County Surface Water Design Manual. These revisions were necessary to address specific City of Renton requirements and to address deficiencies within the 2016 King County Surface Water Design Manual.

1. **Aquifer Protection Area** – The City of Renton Surface Water Design Manual includes an additional special requirement (Special Requirement #6) related to the Aquifer Protection Area. Certain facilities are restricted in Zone 1 of the Aquifer Protection Area.
2. **On-site BMPs** – Core Requirement #9 was renamed to On-site BMPs instead of Flow Control BMPs to avoid confusion with Flow Control Facilities (Core Requirement #3).
3. **On-site BMP Sizing Credits** –
  - a) Explicit modeling of BMP infiltration for facility sizing is also allowed instead of applying the sizing credits in Table 1.2.9.A in Chapter 1
  - b) Credits were added to Table 1.2.9.A for vegetated roofs
4. **Additional On-site BMP Options for Core Requirement #9** –
  - a) Rain Gardens
  - b) Soil Amendment (included in King County Code, but details were not included in the King County Surface Water Design Manual)
  - c) Tree Retention Credit
  - d) Vegetated Roofs (optional)
5. **LID Performance Standard** – The LID performance standard is optional, but is not required for any projects located within the City of Renton.
6. **Flow Control Standards** – The City developed specific terminology for flow control standards in Core Requirement #3 in the Amendments to the 2009 King County Surface Water Design Manual that were retained in this manual:
  - a) Flow Control Duration Standard – Matching Forested
  - b) Flow Control Duration Standard – Matching Existing
  - c) Peak Rate Flow Control Standard
  - d) Flood Problem Flow Control Standard
7. **Additional Water Quality Facility Options for Core Requirement #8** –
  - a) The following facilities are available as options on the Basic WQ Menu:
    - i. Bioretention
    - ii. WSDOT WQ Facilities – Media Filter Drain, Compost-amended Vegetated Filter Strips, and Compost-amended Biofiltration Swales
  - b) The following facilities are available as options on the Enhanced Basic WQ Menu:
    - i. Bioretention
    - ii. Proprietary Facilities
    - iii. WSDOT WQ Facilities – Media Filter Drain, Compost-amended Vegetated Filter Strips, and Compost-amended Biofiltration Swales
  - c) The following facilities are available as options on the Sensitive Lake Protection Menu:
    - i. Proprietary Facilities

8. **Proprietary Facilities** – Added specific proprietary facilities to Chapter 6, Appendix A, and Reference Section 14-A.
9. **Element #11 of Core Requirement #2** – This Construction Stormwater Pollution Prevention element was modified to be more inclusive of other infiltration facilities that are not considered to be On-site BMPs.
10. **Bioretention Design and Construction** – The City incorporated the following modifications to the bioretention design site suitability factors and design criteria:
  - a) Specific information added regarding perpendicular utility crossings
  - b) Minimum bottom width is 18 inches
  - c) Minimum ponding depth is 2 inches
  - d) Maximum side slopes are 2.5 to 1
  - e) Minimum berm top width is 6 inches
  - f) Minimum shoulder between road edge and bioretention side slope is 6 inches
  - g) Water tolerant plant list has been revised
  - h) Underdrains are allowed for bioretention facilities designed to meet Core Requirement #8
  - i) Added a section on construction sequencing
11. **Permeable Pavement Design and Construction** – The City incorporated the following modifications to the permeable pavement design criteria:
  - a) Run-on is not allowed from pervious surfaces
  - b) Underdrains are allowed in specific settings
  - c) Added design criteria regarding the overflow
  - d) Added figures depicting permeable pavement cross sections and permeable pavement with check dams
  - e) Added a reference to ASTM C1701 and ASTM C1781 for infiltration rate verification
  - f) Added a section on construction sequencing
12. **Core Requirement #6 and #7** – Language specific to the City of Renton has been incorporated into Core Requirement #6 (Maintenance and Operations) and Core Requirement #7 (Financial Guarantees and Liabilities).
13. **Basic WQ Thresholds** – The thresholds for basic WQ treatment in Core Requirement #8 have been adjusted for consistency with the Amendments to the 2009 King County Surface Water Design Manual and the 2012 Stormwater Management Manual for Western Washington, as amended in 2014.
14. **Target impervious surface** – The City of Renton does not require including existing impervious surfaces added on or after January 8, 2001 in the definition of target impervious surfaces.
15. **Continuous modeling timestep** – Precipitation with a 15-minute precipitation is available for the entire City of Renton, so references to the 1-hour timestep were removed.
16. **Continuous modeling precipitation series** – The City of Renton allows either rain gage data (Sea-Tac Airport) or the 158-year extended precipitation timeseries (Puget East) to be used for modeling.
17. **Allowable pipe materials** – The City of Renton added a table of allowable pipe materials and minimum cover to Chapter 4 for consistency with the Amendments to the 2009 King County Surface Water Design Manual.

18. **Conveyance requirements** – The City of Renton added requirements to Chapter 4 for changes in pipe size, structures, pipe cover, pipe clearances, pipe system connections, and pump systems.
19. **Fencing requirements** – The City of Renton added specific fencing requirements to Chapter 5 and Chapter 6 for detention ponds and wet ponds related to a City policy decision.
20. **Seeding** – The City of Renton revised seeding rates, timing, and mixes in Chapter 5, Chapter 6, and Appendix C, and Appendix D.
21. **Removing terminology that does not apply** – Terminology related to the Urban Growth Area, Urban Planned Development (UPD), Agricultural Projects, Critical Drainage Areas, Large Rural Lots, Stormwater Compliance Plans (SWCPs), Experimental Design Adjustments, recreational tracts, and Landscape Management Plan was removed.
22. **Removed BMPs that do not apply** – Catch Basin Inserts (Chapter 6), Narrow Area Filter Strips (Chapter 6), and Farmland Dispersion (Appendix C).
23. **References**
  - a) Provided links to the City’s website for covenants, easements, agreements, and worksheets
  - b) Added Reference Section 15-A (Reference Maps) for consistency with the Amendments to the 2009 King County Surface Water Design Manual

## **OTHER APPLICABLE REFERENCES**

The City also adopts, by reference, the 2016 *King County Stormwater Pollution Prevention Manual* for determining source control requirements.

*(This page intentionally left blank.)*



# CHAPTER 1

## DRAINAGE REVIEW AND REQUIREMENTS



### CITY OF RENTON

# SURFACE WATER DESIGN MANUAL

<b>Section</b>	<b>Page</b>
<b>1.1 Drainage Review</b>	<b>1-11</b>
1.1.1 Projects Requiring Drainage Review	1-12
1.1.2 Drainage Review Types and Requirements	1-12
1.1.3 Drainage Review Required By Other Agencies	1-22
1.1.4 Drainage Design Beyond Minimum Compliance	1-22
<b>1.2 Core Requirements</b>	<b>1-23</b>
1.2.1 Core Requirement #1: Discharge at the Natural Location	1-23
1.2.2 Core Requirement #2: Offsite Analysis	1-24
1.2.3 Core Requirement #3: Flow Control Facilities	1-35
1.2.4 Core Requirement #4: Conveyance System	1-50
1.2.5 Core Requirement #5: Construction Stormwater Pollution Prevention	1-54
1.2.6 Core Requirement #6: Maintenance and Operations	1-59
1.2.7 Core Requirement #7: Financial Guarantees and Liability	1-61
1.2.8 Core Requirement #8: Water Quality Facilities	1-63
1.2.9 Core Requirement #9: On-Site BMPs	1-73
<b>1.3 Special Requirements</b>	<b>1-89</b>
1.3.1 Special Requirement #1: Other Adopted Area-Specific Requirements	1-89
1.3.2 Special Requirement #2: Flood Hazard Area Delineation	1-90
1.3.3 Special Requirement #3: Flood Protection Facilities	1-91
1.3.4 Special Requirement #4: Source Controls	1-92
1.3.5 Special Requirement #5: Oil Control	1-94
1.3.6 Special Requirement #6: Aquifer Protection Area	1-97
<b>1.4 Adjustment Process</b>	<b>1-99</b>
1.4.1 Adjustment Authority	1-99
1.4.2 Criteria for Granting Adjustments	1-99
1.4.3 Adjustment Application Process	1-100
1.4.4 Adjustment Review Process	1-101
1.4.5 Appeals	1-101

*(This page intentionally left blank.)*

# CHAPTER 1

## DRAINAGE REVIEW AND REQUIREMENTS

This chapter describes the drainage review procedures and types, the drainage requirements, and the adjustment procedures necessary to implement surface water runoff policies codified in Chapter 4-6-030 of the City of Renton Municipal Code (RMC). It also provides direction for implementing the more detailed procedures and design criteria found in subsequent chapters of this manual.

### Chapter Organization

The information presented in Chapter 1 is organized into four main sections as follows:

- Section 1.1, “Drainage Review”
- Section 1.2, “Core Requirements”
- Section 1.3, “Special Requirements”
- Section 1.4, “Adjustment Process”

Each of these sections begins on an odd page so the user can insert tabs if desired for quicker reference.

### Formatting of Chapter Text

The text of Chapter 1 and subsequent chapters has been formatted using the following conventions to aid the user in finding, understanding, and properly applying the thresholds, requirements, and procedures contained in this manual:

- *Italic* is used to highlight the following: (a) terms when they are first introduced and defined within the same paragraph; (b) special notes that supplement or clarify thresholds, requirements, and procedures; (c) sentences considered important for purposes of understanding thresholds, requirements, and procedures; and (d) titles of publications.
- ***Bold italic*** is used to highlight terms considered key to understanding and applying drainage review thresholds, requirements, and procedures. These are called “key terms” and are defined below. This convention applies after the key term is defined and does not necessarily apply to tables and figures.
- **Bold** is used to highlight words and phrases that are not key terms but are considered important to emphasize for purposes of finding and properly applying thresholds, requirements, and procedures.

### Key Terms and Definitions (*a complete list of definitions follows Chapter 6*)

Proper application of the drainage review and requirements in this chapter requires an understanding of the following key terms and their definitions. Other key terms may be defined in subsequent chapters. All such key terms are highlighted in ***bold italic*** throughout the manual. Other important terms that are not key terms are defined in the text when they are first introduced. These are highlighted in *italic* when they are first introduced but are not highlighted throughout the manual. All terms defined in this chapter are also found in the “Definitions” section of this manual as are other important terms defined throughout the Manual.

**Aquifer Protection Area (APA)** means the portion of an aquifer within the zone of capture and recharge area for a well or well field owned or operated by the City of Renton delineated in the Aquifer Protection map found in the City of Renton Map Gallery (<http://rentonwa.gov/government/default.aspx?id=29885>) or viewed via COR Maps (<http://rp.rentonwa.gov/SilverlightPublic/Viewer.html?Viewer=COR-Maps>).

**Arterial** – A high traffic-volume road or street primarily for through traffic. The term generally includes roads or streets considered collectors. It does not include local access roads which are generally limited to providing access to abutting property. Refer to the City of Renton Map Gallery for a map of arterial streets (<http://rentonwa.gov/government/default.aspx?id=29885>) or view via COR Maps (<http://rp.rentonwa.gov/SilverlightPublic/Viewer.html?Viewer=COR-Maps>).

**Bioretention** – An on-site and water quality treatment best management practice consisting of a shallow landscaped depression designed to temporarily store and promote infiltration of stormwater runoff. Standards for bioretention design, including soil mix, plants, storage volume and feasibility criteria, are specified in Appendix C of this manual. Bioretention can be used to meet Core Requirement #3, #8 and/or 9.

**CED** means the Community and Economic Development Department.

**Certified Erosion and Sediment Control Lead (CESCL)** means an individual who has current certification through an approved erosion and sediment control training program that meets the minimum training standards established by the Washington State Department of Ecology (Ecology). A CESCL is knowledgeable in the principles and practices of erosion and sediment control. The CESCL must have the skills to assess *site* conditions and construction activities that could impact the quality of stormwater and, the effectiveness of erosion and sediment control measures used to control the quality of stormwater discharges. Certification is obtained through an Ecology approved erosion and sediment control course.

**Civil engineer** means a person licensed by the state of Washington as a professional engineer in civil engineering.

**Construct or modify** means to install a new drainage pipe or ditch or make improvements to an existing drainage pipe or ditch, for purposes other than maintenance, that either serves to concentrate previously unconcentrated surface water or stormwater runoff or serves to increase, decrease or redirect the conveyance of surface water or stormwater runoff.

**Conveyance system nuisance problem** means a flooding or erosion problem that does not constitute a *severe flooding problem* or *severe erosion problem* and that results from the overflow of a constructed conveyance system for runoff events less than or equal to a 10-year event. Examples include inundation of a shoulder or lane of a roadway, overflows collecting in yards or pastures, shallow flows across driveways, minor flooding of crawl spaces or unheated garages/outbuildings, and minor erosion.

**Development** The division of a parcel of land into two (2) or more parcels; the construction, reconstruction, conversion, structural alteration, relocation or enlargement of any structure; any mining, excavation, landfill or land disturbance and any use or extension of the use of land.

**Development review engineer** – The City of Renton employee responsible for the conditioning, review, inspection, and approval of right-of-way use permits, and road and drainage improvements constructed as part of development permits administered by CED.

**Effective impervious surface** – Those impervious surfaces that are connected via sheet flow or discrete conveyance to a drainage system. Impervious surfaces are considered ineffective if: 1) the runoff is fully dispersed as described in Appendix C of this manual; 2) residential roof runoff is infiltrated in accordance with the full infiltration BMP described in Appendix C of this manual; or 3) approved continuous runoff modeling methods indicate that the entire runoff file is infiltrated.

**Erodible or leachable materials, wastes, or chemicals** are those materials or substances that, when exposed to rainfall, measurably alter the physical or chemical characteristics of the rainfall runoff (Examples include but are not limited to erodible soil, uncovered process wastes, manure, fertilizers, oily substances, ashes, kiln dust, garbage dumpster leakage, commercial-scale vehicle and animal wash waste, galvanized structural, architectural, cabinet, and utility steel, architectural copper, bronze, brass, and lead, treated lumber, etc.).

**Erosion hazard area** is the critical area designation, defined and regulated in RMC 4-3-050, that is applied to areas underlain by soils that are subject to severe erosion when disturbed. Refer to the City of Renton Map Gallery for a map of erosion hazard areas (<http://rentonwa.gov/government/default.aspx?id=29885>) or view via COR Maps (<http://rp.rentonwa.gov/SilverlightPublic/Viewer.html?Viewer=COR-Maps>).

**Existing site conditions** means those that existed prior to May 1979 as determined from aerial photographs and, if necessary, knowledge of individuals familiar with the area, unless a drainage plan for land cover changes has been approved by the City of Renton since May 1979 as part of a City permit or approval (or County-approved permit if in an area that has been annexed by the City). If so, *existing site conditions* are those created by the *site* improvements and drainage facilities constructed per the approved drainage plan.

**Exposed** means subject to direct or blown-in precipitation and/or direct or blown in runoff. Not **fully covered**.

**Exposed area** or **exposed material** means not covered sufficiently to shield from rainfall and stormwater runoff. At a minimum, full coverage to not be considered **exposed** requires a roof with enough overhang in conjunction with walls of sufficient height to prevent rainfall blow-in; and the walls must extend into the ground or to a berm or footing to prevent runoff from being blown in or from running onto the covered area.

**Flood hazard area** is the critical area designation, defined and regulated in RMC 4-3-050, that is applied to areas subject to flooding. Refer to the City of Renton Map Gallery for a map of flood hazard areas (<http://rentonwa.gov/government/default.aspx?id=29885>) or view via COR Maps (<http://rp.rentonwa.gov/SilverlightPublic/Viewer.html?Viewer=COR-Maps>).

**Flow control facility** means a drainage facility designed in accordance with the drainage requirements in this manual to mitigate the impacts of increased stormwater runoff generated by site development. A “flow control facility” is designed either to hold water for a considerable length of time and then release it by evaporation, plant transpiration or infiltration into the ground or to hold runoff for a short period of time and then release it to the conveyance system.

**Fully covered** means covered sufficiently to shield from rainfall and stormwater runoff. At a minimum, full coverage requires a roof with enough overhang in conjunction with walls of sufficient height to prevent rainfall blow-in; and the walls must extend into the ground or to a berm or footing to prevent runoff from being blown in or from running onto the covered area. Not **exposed**.

**Fully dispersed** means the runoff from an impervious surface or nonnative pervious surface has dispersed per the criteria for fully dispersed surface in Section 1.2.3.2 of this manual.

**Groundwater protection areas** include the Cedar Valley Sole Source Aquifer Project Review Area designated by the federal Environmental Protection Agency, Wellfield Capture Zones as mapped by the Washington State Department of Health, and the **Aquifer Protection Areas** as mapped by the City. The combined area described by these criteria is represented in Reference Section 15-B, Groundwater Protection Areas in the City of Renton.

**High-use site** means a commercial or industrial site that (1) has an expected average daily traffic (ADT) count equal to or greater than 100 vehicles per 1,000 square feet of gross building area; (2) is subject to petroleum storage or transfer in excess of 1,500 gallons per year, not including delivered heating oil; or (3) is subject to use, storage, or maintenance of a fleet of 25 or more vehicles that are over

10 tons net weight (trucks, buses, trains, heavy equipment, etc.). Also included is any road intersection with a measured ADT count of 25,000 vehicles or more on the main roadway and 15,000 vehicles or more on any intersecting roadway, excluding projects proposing primarily pedestrian or bicycle use improvements. For the purposes of this definition, commercial and industrial site means that portion of a site's developed area associated with an individual commercial or industrial business (e.g., the area occupied by the business's buildings and required parking).

**Historical site conditions** means those that existed on the *site* prior to any development in the Puget Sound region. For lands not currently submerged (i.e., outside the ordinary high water mark of a lake, wetland, or stream), historical site conditions shall be assumed to be forest cover unless reasonable, historical, *site*-specific information is provided to demonstrate a different vegetation cover. The historical site conditions exception in the King County Surface Water Design Manual does not apply to the City.

**Impaired waterbody or impaired receiving water** means where the receiving waterbody is either (1) listed as impaired for metals or organic pollutants according to Ecology's Water Quality Assessment categories 2, 4, or 5 – water or sediment and/or (2) where subject to any other local, state, or federal cleanup plan.

**Impervious surface** means a non-vegetated surface area that either prevents or retards the entry of water into the soil mantle as under natural conditions before development; or that causes water to run off the surface in greater quantities or at an increased rate of flow compared to the flow present under natural conditions prior to development (see also **new impervious surface**). Common impervious surfaces include, but are not limited to, roof, walkways, patios, driveways, parking lots, or storage areas, areas that are paved, graveled or made of packed or oiled earthen materials or other surfaces that similarly impede the natural infiltration of surface water or stormwater. For the purposes of applying the impervious surface thresholds and exemptions contained in this manual, permeable pavement, vegetated roofs, and pervious surfaces with underdrains designed to collect stormwater runoff are considered impervious surface while an open uncovered flow control or water quality facility is not. However, for the purposes of computing runoff, uncovered flow control or water quality facilities shall be modeled as impervious surfaces as specified in Chapter 3.

**Land disturbing activity** means any activity that results in a change in the existing soil cover, both vegetative and non-vegetative, or the existing soil topography. Land disturbing activities include, but are not limited to demolition, construction, clearing, grading, filling, excavation, and compaction. Land disturbing activity does not include tilling conducted as part of agricultural practices, landscape maintenance, or gardening.

**Landslide hazard** is the critical area designation, defined and regulated in RMC 4-3-050, that is applied to areas subject to severe risk of landslide due to topography, soil conditions, and geology. Refer to the City of Renton Map Gallery for a map of landslide hazards (<<http://rentonwa.gov/government/default.aspx?id=29885>>) or view via COR Maps (<<http://rp.rentonwa.gov/SilverlightPublic/Viewer.html?Viewer=COR-Maps>>).

**Landslide hazard drainage area** means an area that has overland flows from a project may pose a significant threat to health and safety because of its close proximity to a **landslide hazard**.

**Local drainage system** means any natural or constructed drainage feature that collects and concentrates runoff from the site and discharges it downstream.

**Low Impact Development (LID)** – A stormwater and land use management strategy that strives to mimic pre-disturbance hydrologic processes of infiltration, filtration, storage, evaporation and transpiration by emphasizing conservation, use of onsite natural features, site planning, and distributed stormwater management practices that are integrated into a project design.

**LID Best Management Practices** – Distributed stormwater management practices, integrated into a project design, that emphasize pre-disturbance hydrologic processes of infiltration, filtration, storage, evaporation and transpiration. LID BMPs are referred to as on-site BMPs in this manual and include,

but are not limited to, bioretention, permeable pavements, limited infiltration systems, roof downspout controls, dispersion, soil quality and depth, and minimum disturbance foundations.

**LID Principles** – Land use management strategies that emphasize conservation, use of onsite natural features, and site planning to minimize impervious surfaces, native vegetation loss, and stormwater runoff.

**Maintenance** means those usual activities taken to prevent a decline, lapse, or cessation in the use of currently serviceable structures, facilities, BMPs, equipment, or systems if there is no expansion of any of these, and there are no significant hydrologic impacts. Maintenance includes the repair or replacement of non-functional facilities and BMPs, and the replacement of existing structures (e.g., catch basins, manholes, culverts) with different types of structures, if the repair or replacement is required to meet current engineering standards or is required by one or more environmental permits and the functioning characteristics of the original facility or structure are not changed. For the purposes of applying this definition to the thresholds and requirements of this manual, CED will determine whether the functioning characteristics of the original facility, structure, or BMP will remain sufficiently unchanged to consider replacement as maintenance.

**Note:** *The following pavement maintenance practices are exempt from drainage review:*

- Pothole and square cut patching
- Overlaying existing non-permeable asphalt or non-permeable concrete pavement with asphalt or concrete without expanding the area of coverage
- Shoulder grading
- Reshaping/regrading drainage systems
- Crack sealing
- Resurfacing with in-kind material without expanding the road prism, pavement preservation activities that do not expand the paved prism
- Vegetation maintenance.

*The following pavement maintenance practices are not categorically exempt from drainage review:*

- Removing and replacing a paved surface to base course or lower, or repairing the pavement base (i.e., “replaced impervious surfaces”).
- Extending the edge of pavement without increasing the size of the paved area
- Resurfacing that meets the definition of **new impervious surface** in this manual.

**Major receiving water** means a large receiving water that has been determined by City of Renton to be safe for the direct discharge of increased runoff from a proposed project without a flow control facility, subject to the restrictions on such discharges set forth in Core Requirement #3, Section 1.2.3. A list of major receiving waters is provided in Section 1.2.3.1. Major receiving waters are also considered safe for application of Basic WQ treatment in place of otherwise required Enhanced Basic WQ treatment (see Section 1.2.8.1), except where the **receiving water** is either (1) listed as impaired for metals or organic pollutants according to Ecology’s Water Quality Assessment categories 2, 4, or 5, and/or (2) where subject to any other local, state, or federal cleanup plan. In any of these cases, the major receiving water exception for Enhanced Basic treatment is superseded by 1.2.2.3 Water Quality Problem Impact Mitigation for Metals (Type 4).

**Native vegetated surface** means a surface in which the soil conditions, ground cover, and species of vegetation are like those of the original native condition for the *site*. More specifically, this means (1) the soil is either undisturbed or has been treated according to the “native vegetated landscape” specifications in Appendix C, Section C.2.1.8; (2) the ground is either naturally covered with vegetation litter or has been top-dressed between plants with 4 inches of mulch consistent with the native vegetated landscape specifications in Appendix C; and (3) the vegetation is either (a) comprised predominantly of plant species, other than noxious weeds, that are indigenous to the coastal region of the Pacific Northwest and that reasonably could have been expected to occur naturally on the *site* or

(b) comprised of plant species specified for a native vegetated landscape in Appendix C. Examples of these plant species include trees such as Douglas fir, western hemlock, western red cedar, alder, big-leaf maple and vine maple; shrubs such as willow, elderberry, salmonberry and salal; and herbaceous plants such as sword fern, foam flower, and fireweed.

**Natural discharge area** means an onsite area tributary to a single **natural discharge location**.

**Natural discharge location** means the location where surface and storm water runoff leaves (or would leave if not infiltrated or retained) the **site** or **project site** under **existing site conditions**.

**New impervious surface** means the addition of a man-made, modified, or compacted surface like roofs, pavement, gravel, or dirt; or the addition of a more compacted surface, such as resurfacing by upgrading from dirt to gravel, asphalt, or concrete; upgrading from gravel to asphalt, or concrete; or upgrading from a bituminous surface treatment (“chip seal”) to asphalt or concrete. Permeable pavement and vegetated roofs are considered new impervious surface for purposes of determining whether the thresholds for application of minimum requirements are exceeded, as are lawns, landscaping, sports fields, golf courses, and other areas that have modified runoff characteristics resulting from the addition of underdrains designed to collect stormwater runoff. Open, uncovered retention/detention facilities shall not be considered impervious surfaces for purposes of determining whether the thresholds for application of minimum requirements are exceeded. Open, uncovered retention/detention facilities shall be considered impervious surfaces for purposes of runoff modeling.

**New pervious surface** means the conversion of a **native vegetated surface** or other native surface to a nonnative pervious surface (e.g., conversion of forest or meadow to pasture land, grass land, cultivated land, lawn, landscaping, bare soil, etc.), or any alteration of existing nonnative pervious surface that significantly increases surface and storm water runoff (e.g., conversion of pasture land, grass land, or cultivated land to lawn, landscaping, or bare soil; or alteration of soil characteristics).

**New PGIS** means **new impervious surface** that is **pollution-generating impervious surface** or any alteration of existing pollution-generating impervious surface that changes the type of pollutants or results in increased pollution loads and/or concentrations.

**New PGPS** means **new pervious surface** that is **pollution-generating pervious surface** or any alteration of existing pollution-generating pervious surface that changes the type of pollutants or results in increased pollution loads and/or concentrations.

**Offsite** means any area lying upstream of the site that drains onto the site and any area lying downstream of the site to which the site drains including frontage improvements.

**Onsite** means the entire site that includes the proposed development.

**On-site BMP** means a small scale drainage facility or feature that is part of a development site strategy to use processes such as infiltration, dispersion, storage, evaporation, transpiration, forest retention, and reduced impervious surface footprint to mimic pre-developed hydrology and minimize stormwater runoff.

**Permeable pavement** means pervious concrete, porous asphalt, permeable pavers or other forms of pervious or porous paving material intended to allow passage of water through the pavement section. It often includes an aggregate base that provides structural support and acts as a stormwater reservoir.

**Pervious Surface** – Any surface material that allows stormwater to infiltrate into the ground. Examples include lawn, landscape, pasture, and native vegetation areas. Note for purposes of threshold determination and runoff volume modeling for detention and treatment, vegetated roofs and permeable pavements are to be considered impervious surfaces along with lawns, landscaping, sports fields, golf courses, and other areas that have modified runoff characteristics resulting from the addition of underdrains.

**Pollution-generating impervious surface (PGIS)** means an impervious surface considered to be a significant source of pollutants in stormwater runoff. Such surfaces include those that are **subject to vehicular use**, industrial activities, or storage of **erodible or leachable materials, wastes, or chemicals**



and that receive direct rainfall or the run-on or blow-in of rainfall. A covered parking area would be considered PGIS if runoff from uphill could regularly run through it or if rainfall could regularly blow in and wet the pavement surface. Metal roofs are also considered PGIS unless they are coated with an inert, non-leachable material (see Reference Section 11-E); or roofs that are exposed to the venting of significant amounts of dusts, mists, or fumes from manufacturing, commercial, or other indoor activities. PGIS includes vegetated roofs exposed to pesticides, fertilizers, or loss of soil. Other roofing types that may pose risk but are not currently regulated are listed Reference Section 11-E. Lawns, landscaping, sports fields, golf courses, and other areas that have modified runoff characteristics resulting from the addition of underdrains that have the pollution generating characteristics described under the “pollution-generating pervious surface” definition are also considered **PGIS**.

**Pollution-generating pervious surface (PGPS)** means a non-impervious surface considered to be a significant source of pollutants in surface and storm water runoff. Such surfaces include those that are **subject to vehicular use**, industrial activities, storage of **erodible or leachable materials, wastes, or chemicals**, and that receive direct rainfall or the run-on or blow-in of rainfall; or subject to use of pesticides and fertilizers, or loss of soil. Such surfaces include, but are not limited to, the lawn and landscaped areas of residential, commercial, and industrial sites or land uses, golf courses, parks, sports fields (natural and artificial turf), cemeteries, and grassed modular grid pavement.

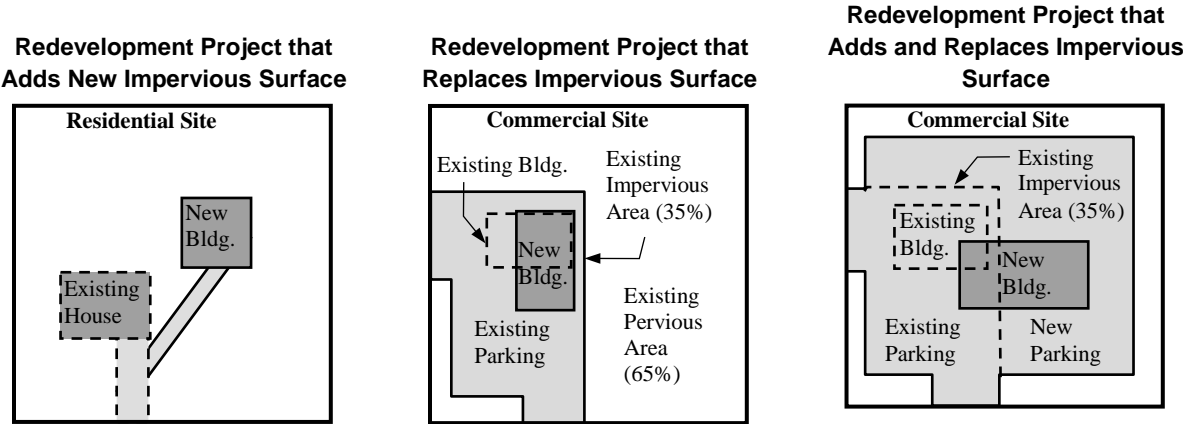
**Project** means any proposed action to alter or develop a site. The proposed action of a permit application or an approval, which requires drainage review.

**Project site** means that portion of a **site** and any offsite areas subject to proposed project activities, alterations, and improvements including those required by this manual.

**Rain Garden** means a shallow, landscaped depression with compost-amended native soils and adapted plants. The depression is designed to pond and temporarily store stormwater runoff from adjacent areas, and to allow stormwater to pass through the amended soil profile. Rain gardens can only be used to meet Core Requirement #9.

**Receiving waters** means bodies of water, surface water systems, or groundwater receiving water from upstream man-made or natural systems.

**Redevelopment project** means a project that proposes to add, replace, or modify impervious surfaces (e.g., building, parking lot) for purposes other than a residential subdivision or maintenance on a **site** that is already substantially developed in a manner consistent with its current zoning or with a legal non-conforming use, or has an existing impervious surface coverage of 35% or more. The following examples illustrate how this definition may apply to residential and commercial sites.



**Replaced impervious surface** means any existing impervious surface on the **project site** that is proposed to be removed and re-established as impervious surface, excluding impervious surface removed for the

sole purpose of installing utilities or performing maintenance on underground infrastructure. For structures, *removed* means the removal of buildings down to the foundation. For other impervious surfaces, *removed* means the removal down to base course or bare soil. For purposes of this definition, base course is the layer of crushed rock that typically underlies an asphalt or concrete pavement. It does not include the removal of pavement material through grinding or other surface modification unless the entire layer of PCC or AC is removed. Replaced impervious surface also includes impervious surface that is moved from one location to another on the project site where the following two conditions are met: (A) runoff characteristics and volumes remain the same or are improved in the area where the existing impervious surface is removed, and (B) impervious surface at the new location is either designated as non-pollution generating or the pollution generating characteristics remain unchanged compared to that of the original location.

**Replaced PGIS** means **replaced impervious surface** that is **pollution-generating impervious surface**.

**Sensitive lake** means a designation applied by the City to lakes that are particularly prone to eutrophication from development-induced increases in phosphorus loading.

**Severe building flooding problem** means there is flooding of the *finished floor area*<sup>1</sup> of a *habitable building*,<sup>2</sup> or the electrical/heating system of a habitable building for runoff events less than or equal to a 100-year event. Examples include flooding of finished floors of homes and commercial or industrial buildings, or flooding of electrical/heating system components in the crawl space or garage of a home.

**Severe erosion problem** means there is an open drainage feature with evidence of or potential for erosion/incision sufficient to pose a sedimentation hazard to downstream conveyance systems or pose a landslide hazard by undercutting adjacent slopes. Severe erosion problems do not include roadway shoulder rilling or minor ditch erosion.

**Severe flooding problem** means a **severe building flooding problem** or a **severe roadway flooding problem**.

**Severe roadway flooding problem** means there is flooding over all lanes of a *roadway*,<sup>3</sup> or a *sole access driveway*<sup>4</sup> is severely impacted, for runoff events less than or equal to the 100-year event. A severely impacted sole access driveway is one in which flooding overtops a culverted section of the driveway, posing a threat of washout or unsafe access conditions due to indiscernible driveway edges, or flooding is deeper than 6 inches on the driveway, posing a severe impediment to emergency access.

**Single family residential project** means any project that (a) constructs or modifies a single family dwelling unit, (b) makes improvements (e.g., driveways, roads, outbuildings, play courts, etc.) or clears native vegetation on a lot that contains or will contain a single family dwelling unit, or (c) is a plat, short plat, or boundary line adjustment that creates or adjusts lots that will contain single family dwelling units.

**Site** means a single parcel; or, two or more contiguous parcels that are under common ownership or documented legal control; or a portion of a single parcel under documented legal control separate from the remaining parcel, used as a single parcel for a proposed project for purposes of applying for authority from the City to carry out a proposed project. For projects located primarily within dedicated rights-of-way, the length of the project site and the right-of-way boundaries define the site.

---

<sup>1</sup> *Finished floor area*, for the purposes of defining **severe building flooding problem**, means any enclosed area of a building that is designed to be served by the building's permanent heating or cooling system.

<sup>2</sup> *Habitable building* means any residential, commercial, or industrial building that is equipped with a permanent heating or cooling system and an electrical system.

<sup>3</sup> *Roadway*, for the purposes of this definition, means the traveled portion of any public or private road or street classified as such in the *City of Renton Standard Details and City of Renton Transportation Department guidelines*.

<sup>4</sup> *Sole access driveway* means there is no other unobstructed, flood-free route for emergency access to a habitable building.

**Steep slope hazard area** is the critical area designation, defined and regulated in RMC 4-3-050, that is applied to areas where extra protection of sensitive slopes is required. Refer to the City of Renton Map Gallery for a map of steep slope hazard areas (<<http://rentonwa.gov/government/default.aspx?id=29885>>).

**Structure** means a catch basin or manhole in reference to a storm drainage system.

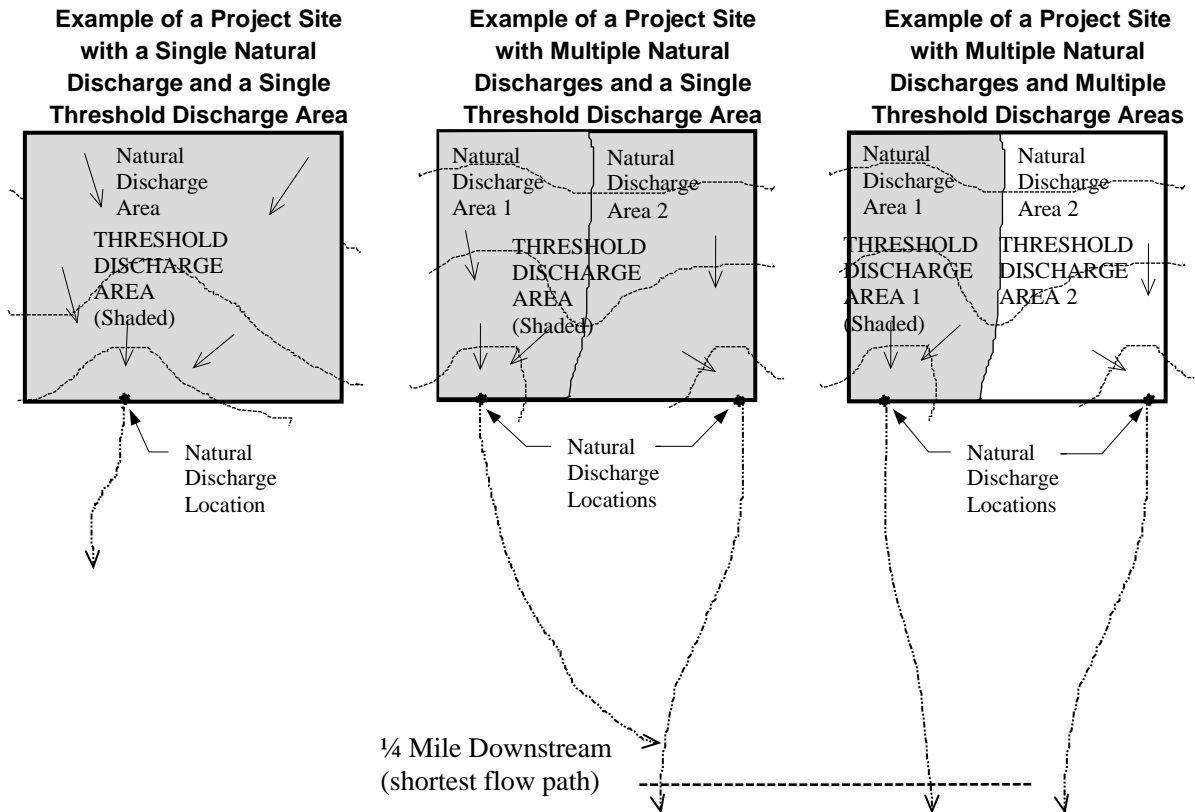
**Subject to vehicular use** means the surface is regularly used by motor vehicles including but not limited to motorcycles, cars, trucks, busses, aircraft, tractors, and heavy equipment. The following surfaces are considered regularly used by motor vehicles: roads, un-vegetated road shoulders, bike lanes within the traveled lane of a roadway, driveways, parking lots, unrestricted access fire lanes, vehicular equipment storage yards, and airport taxiways and runways. The following surfaces are not considered regularly used by motor vehicles: paved bicycle pathways separated from and not subject to drainage from roads for motor vehicles, fenced or restricted access fire lanes, and maintenance access roads with a recurring use of no more than one routine vehicle access per week.

**Target impervious surface** means that portion of a *site's* new and/or replaced impervious surface from which runoff impacts are required to be mitigated by a particular set of drainage requirements (flow control facility, water quality facility, and/or on-site BMP).

Type of Development	Target Impervious Surface
New development	New plus replaced impervious surface
Redevelopment with < 5,000 sf impervious or improvements < 50% of the assessed value of the existing site improvements	New impervious surface
Redevelopment with ≥ 5,000 sf impervious and improvements ≥ 50% of the assessed value of the existing site improvements	New plus replaced impervious surface

**Target pervious surface** means all areas subject to clearing and grading that have not been covered by an *impervious surface*, incorporated into a drainage facility, or engineered as structural fill or slope.

**Threshold discharge area** means an onsite area draining to a single *natural discharge location*, or multiple *natural discharge locations* that combine within one-quarter-mile downstream (as determined by the shortest flowpath). The examples below illustrate this definition. This term is used to clarify how the thresholds, exemptions, and exceptions of this manual are applied to *sites* with multiple discharge locations.



**Transportation redevelopment project** means a stand-alone transportation improvement project that proposes to add, replace, or modify impervious surface, for purposes other than maintenance, within a length of dedicated public or private road right-of-way that has an existing impervious surface coverage of thirty-five percent or more. Road right-of-way improvements required as part of a subdivision, commercial, industrial or multifamily project may not be defined as a separate transportation redevelopment project.

**Zone 1 of the Aquifer Protection Area** means the land area situated between a well or well field owned by the City of Renton and the one-year groundwater travel time contour and not otherwise designated as Zone 1 Modified as depicted in the Aquifer Protection map found in the City of Renton Map Gallery (<<http://rentonwa.gov/government/default.aspx?id=29885>>). Zone 1 of the APA is shown on Reference Section 15-B, Groundwater Protection Areas in the City of Renton.

**Zone 2 of the Aquifer Protection Area** means the land area situated between the one-year groundwater travel time contour and the boundary of the zone of potential capture for a well or well field owned or operated by the City. If the aquifer supplying water to such a well, well field, or spring is naturally protected by confining overlying and underlying geologic layers, the City may choose not to subdivide an **Aquifer Protection Area** into two (2) zones. In such a case, the entire **Aquifer Protection Area** will be designated as Zone 2.

## 1.1 DRAINAGE REVIEW

*Drainage review* is the evaluation by City of Renton staff of a proposed project's compliance with the drainage requirements of this manual. The City of Renton department responsible for drainage review is the Community and Economic Development (CED) Department unless otherwise specified in RMC 4-6-060. Drainage review by CED is an integral part of its permit review process for development projects. This section describes when and what type of drainage review is required for a proposed project and how to determine which drainage requirements apply.

The section covers the following topics related to drainage review:

- “Projects Requiring Drainage Review,” Section 1.1.1
- “Drainage Review Types and Requirements,” Section 1.1.2
- “Drainage Review Required By Other Agencies,” Section 1.1.3
- “Drainage Design Beyond Minimum Compliance,” Section 1.1.4

### Guide to Using Section 1.1

The following steps are recommended for efficient use of Section 1.1:

1. Determine whether your proposed project is subject to the requirements of this manual by seeing if it meets any of the **thresholds for drainage review** specified in Section 1.1.1. Making this determination requires an understanding of the key terms defined at the beginning of this chapter.
2. If drainage review is required per Section 1.1.1, use the flow chart in Figure 1.1.2.A to determine what **type of drainage review** will be conducted by the City. The type of drainage review defines the scope of drainage requirements that will apply to your project as summarized in Table 1.1.2.A.
3. Check the more detailed threshold information in Section 1.1.2 to verify that you have determined the correct type of drainage review.
4. After verifying the type of drainage review, use the information in Section 1.1.2 to determine which **core requirements** (found in Section 1.2) and which **special requirements** (found in Section 1.3) must be evaluated for compliance by your project. To determine how to comply with each applicable core and special requirement, see the more detailed information on these requirements contained in Sections 1.2 and 1.3 of this chapter.

## 1.1.1 PROJECTS REQUIRING DRAINAGE REVIEW

Drainage review is required for any proposed project (except those proposing only maintenance) that is subject to a City of Renton development permit or approval, including but not limited to those listed at right, AND that meets any one of the following conditions:

1. The project adds or will result in 2,000 square feet<sup>5</sup> or more of *new impervious surface, replaced impervious surface*, or *new plus replaced impervious surface*, OR
2. The project proposes 7,000 square feet<sup>5</sup> or more of *land disturbing activity*, OR
3. The project proposes to *construct or modify* a drainage pipe/ditch that is 12 inches or more in size/depth, or receives storm water runoff or surface water from a drainage pipe/ditch that is 12 inches or more in size/depth, OR
4. The project contains or is adjacent to a *flood, erosion, or steep slope hazard area* as defined in RMC 4-3-050, or projects located within a *Landslide Hazard Drainage Area*, OR
5. Condition #5 does not apply to the City,<sup>6</sup> OR
6. The project is a *redevelopment project* proposing \$100,000<sup>7</sup> or more of improvements to an existing *high-use site*.

If drainage review is required for the proposed project, the type of drainage review must be determined based on project and site characteristics as described in Section 1.1.2. The type of drainage review defines the scope of drainage requirements that must be evaluated for compliance with this manual.

### City of Renton Permits and Approvals

Building Permits/Combination  
 Building Permits  
 Construction Permits  
 Demolition Permits  
 Flood Control Zone Permits  
 Grading/Filling Permit  
 Land Use Permit  
 Mining, Excavation or Grading Permit or License  
 Planned Urban Development  
 Rezones  
 Right-of-Way Permits  
 Right-of-Way Use Application  
 Site Plan Approvals  
 Shoreline Permits  
 Short Subdivision Developments (Short Plat)  
 Special Permits  
 Subdivision Developments (Plats)  
 Temporary Permits when involving land disturbance  
 Other City of Renton permits as required

## 1.1.2 DRAINAGE REVIEW TYPES AND REQUIREMENTS

For most projects resulting in 2,000 square feet or more of *new plus replaced impervious surface*, the full range of core and special requirements contained in Sections 1.2 and 1.3 must be evaluated for compliance through the drainage review process. However, for some types of projects, the scope of requirements applied is narrowed to allow more efficient, customized review. Each of the following five drainage review types tailors the review process and application of drainage requirements to a project's size, location, type of development, and anticipated impacts to the local and regional surface water system:

- “Simplified Drainage Review,” Section 1.1.2.1
- “Targeted Drainage Review,” Section 1.1.2.2
- “Directed Drainage Review,” Section 1.1.2.3
- “Full Drainage Review,” Section 1.1.2.4
- “Large Project Drainage Review,” Section 1.1.2.5.

<sup>5</sup> The thresholds for *new impervious surface, replaced impervious surface*, and *land disturbing activity* shall be applied by *project site* and in accordance with the definitions of these surfaces and activities.

<sup>6</sup> Footnote 6 is not used.

<sup>7</sup> This is the “project valuation” as declared on the permit application submitted to CED. The dollar amount of this threshold may be adjusted on an annual basis using the local consumer price index (CPI).

Each project requires only one of the above drainage review types, with the single exception that a project that qualifies for Simplified Drainage Review may also require Targeted Drainage Review. Figure 1.1.2.A can be used to determine which drainage review type is required. However, this may entail consulting the more detailed thresholds for each review type specified in the above-referenced sections.

Table 1.1.2.A can be used to quickly identify which requirements are applied in each type of drainage review. The applicant must evaluate the requirements “checked” for a particular drainage review type to determine what is necessary for compliance.

**FIGURE 1.1.2.A FLOW CHART FOR DETERMINING TYPE OF DRAINAGE REVIEW REQUIRED**

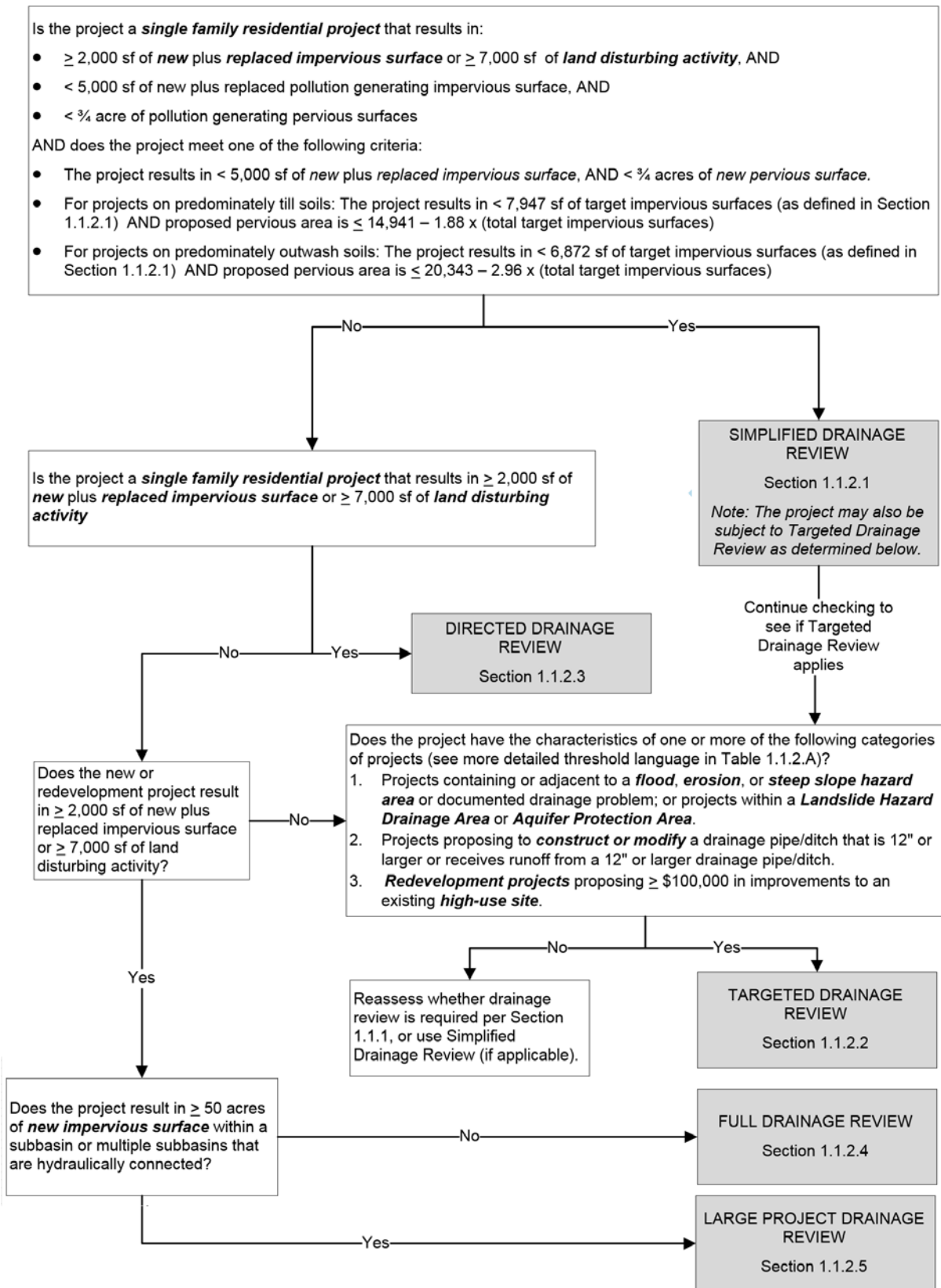




TABLE 1.1.2.A REQUIREMENTS APPLIED UNDER EACH DRAINAGE REVIEW TYPE							
<b>Simplified</b>	<i>Single family residential projects</i> that result in $\geq 2,000$ sf of <b>new plus replaced impervious surface</b> or $\geq 7,000$ sf of <b>land disturbing activity</b> but do not exceed the new plus replaced PGIS, new PGPS, and <b>new pervious surface</b> thresholds specified in Sec. 1.1.2.1. Note: The project may also be subject to Targeted Drainage Review.						
<b>Directed</b>	<i>Single family residential projects</i> that result in $\geq 2,000$ sf of <b>new plus replaced impervious surface</b> or $\geq 7,000$ sf of <b>land disturbing activity</b> that are not subject to Simplified Drainage Review or Large Project Drainage Review. The project may also be subject to Targeted Drainage Review.						
<b>Targeted</b>	New and redevelopment projects that <b>are not</b> subject to Directed, Full or Large Project Drainage Review, AND have characteristics of <b>one or more</b> of the following categories of projects: 1. Projects containing or adjacent to a <b>flood, erosion, or steep slope hazard area</b> ; or projects within a <b>Landslide Hazard Drainage Area</b> or <b>Aquifer Protection Area</b> . 2. Projects that <b>construct or modify</b> a drainage pipe/ditch that is 12" or larger or receive runoff from a 12" or larger drainage pipe/ditch. 3. <b>Redevelopment projects with <math>\geq \\$100,000</math> in improvements to a high-use site.</b> <sup>(1)</sup>						
<b>Full</b>	All projects that result in $\geq 2,000$ sf of <b>new plus replaced impervious surface</b> or $\geq 7,000$ sf of <b>land disturbing activity</b> but are not subject to Simplified Drainage Review, Directed Drainage Review, OR Large Project Drainage Review.						
<b>Large Project</b>	Projects that result in $\geq 50$ acres of <b>new impervious surface</b> within a subbasin or multiple subbasins that are hydraulically connected.						
	DRAINAGE REVIEW TYPE						
	Simplified	Directed	Targeted			Full	Large Project
			Categ 1	Categ 2	Categ 3		
<b>SIMPLIFIED DRAINAGE REQUIREMENTS</b>	<b>SEE NOTE 4</b>						
<b>CORE REQUIREMENT #1</b> Discharge at Natural Location	✓ <sup>(4)</sup>	✓ <sup>(2,3)</sup>	* <sup>(2)</sup>	✓		✓	✓
<b>CORE REQUIREMENT #2</b> Offsite Analysis	✓ <sup>(4)</sup>	✓ <sup>(2,3)</sup>	* <sup>(2)</sup>	✓ <sup>(3)</sup>		✓ <sup>(3)</sup>	✓ <sup>(3)</sup>
<b>CORE REQUIREMENT #3</b> Flow Control Facilities	✓ <sup>(4)</sup>	✓ <sup>(2,3)</sup>	* <sup>(2)</sup>			✓ <sup>(3)</sup>	✓ <sup>(3)</sup>
<b>CORE REQUIREMENT #4</b> Conveyance System	✓ <sup>(4)</sup>	✓ <sup>(2,3)</sup>	* <sup>(2)</sup>	✓		✓	✓
<b>CORE REQUIREMENT #5</b> Erosion & Sediment Control	✓ <sup>(4)</sup>	✓ <sup>(2,3)</sup>	✓	✓	✓	✓	✓
<b>CORE REQUIREMENT #6</b> Maintenance & Operations	✓ <sup>(4)</sup>	✓ <sup>(2,3)</sup>	* <sup>(2)</sup>	✓	✓	✓	✓
<b>CORE REQUIREMENT #7</b> Financial Guarantees & Liability	✓ <sup>(4)</sup>	✓ <sup>(2,3)</sup>	* <sup>(2)</sup>	✓ <sup>(3)</sup>	✓ <sup>(3)</sup>	✓ <sup>(3)</sup>	✓ <sup>(3)</sup>
<b>CORE REQUIREMENT #8</b> Water Quality Facilities	✓ <sup>(4)</sup>	✓ <sup>(2,3)</sup>	* <sup>(2)</sup>			✓ <sup>(3)</sup>	✓ <sup>(3)</sup>
<b>CORE REQUIREMENT #9</b> On-site BMPs	✓ <sup>(4)</sup>	✓				✓	✓

**TABLE 1.1.2.A REQUIREMENTS APPLIED UNDER EACH DRAINAGE REVIEW TYPE**

	DRAINAGE REVIEW TYPE						
	Simplified	Directed	Targeted			Full	Large Project
			Categ 1	Categ 2	Categ 3		
<b>SPECIAL REQUIREMENT #1</b> Other Adopted Area-Specific Requirements	✓ <sup>(4)</sup>	✓ <sup>(2,3)</sup>	✓ <sup>(3)</sup>			✓ <sup>(3)</sup>	✓ <sup>(3)</sup>
<b>SPECIAL REQUIREMENT #2</b> Flood Hazard Area Delineation	✓ <sup>(4)</sup>	✓ <sup>(2,3)</sup>	✓ <sup>(3)</sup>			✓ <sup>(3)</sup>	✓ <sup>(3)</sup>
<b>SPECIAL REQUIREMENT #3</b> Flood Protection Facilities	✓ <sup>(4)</sup>	✓ <sup>(2,3)</sup>	✓ <sup>(3)</sup>			✓ <sup>(3)</sup>	✓ <sup>(3)</sup>
<b>SPECIAL REQUIREMENT #4</b> Source Control	✓ <sup>(4)</sup>	✓ <sup>(2,3)</sup>	✓ <sup>(3)</sup>	✓ <sup>(3)</sup>	✓ <sup>(3)</sup>	✓ <sup>(3)</sup>	✓ <sup>(3)</sup>
<b>SPECIAL REQUIREMENT #5</b> Oil Control	✓ <sup>(4)</sup>	✓ <sup>(2,3)</sup>			✓ <sup>(3)</sup>	✓ <sup>(3)</sup>	✓ <sup>(3)</sup>
<b>SPECIAL REQUIREMENT #6</b> Aquifer Protection Areas		✓ <sup>(2,3)</sup>	✓ <sup>(3)</sup>	✓ <sup>(3)</sup>	✓ <sup>(3)</sup>	✓ <sup>(3)</sup>	✓ <sup>(3)</sup>

(1) Category 3 projects installing oil controls that construct or modify a 12-inch pipe/ditch are also Category 2 projects.

(2) May be applied by CED based on project or *site*-specific conditions. Documentation of compliance required.

(3) These requirements have exemptions or thresholds that may preclude or limit their application to a specific project.

(4) A proposed project subject to Simplified Drainage Review that complies with the Simplified drainage requirements detailed in Appendix C is presumed to comply with all the core and special requirements in Sections 1.2 and 1.3 except those requirements that would apply to the project if it is subject to Targeted Drainage Review as specified in Section 1.1.2.2.

### 1.1.2.1 SIMPLIFIED DRAINAGE REVIEW

Simplified Drainage Review is for small residential building projects or clearing projects that meet the threshold requirements below. The core and special requirements applied under Full Drainage Review are replaced with simplified drainage requirements that can be applied by a non-engineer. These requirements include simple stormwater dispersion, infiltration, and *site* design techniques called flow control Best Management Practices (BMPs), which provide the necessary mitigation of flow and water quality impacts for small projects. Also included are simple measures for erosion and sediment control (ESC). This simplified form of drainage review acknowledges that drainage impacts for many small project proposals can be effectively mitigated without construction of costly flow control and water quality facilities.

The Simplified Drainage Review process minimizes the time and effort required to design, submit, review, and approve drainage facilities for these proposals. In most cases, the requirements can be met with submittals prepared by contractors, architects, or homeowners without the involvement of a *civil engineer*.

*Note: some projects subject to Simplified Drainage Review may also require Targeted Drainage Review if they meet any of the threshold criteria in Section 1.1.2.2.*

#### Threshold

Simplified Drainage Review is required for any *single family residential project* that will result in 2,000 square feet<sup>8</sup> or more of *new impervious surface, replaced impervious surface, or new plus replaced*

<sup>8</sup> The thresholds of 2,000 and 7,000 square feet shall be applied by project site. All other thresholds specified in terms of square feet of impervious or pervious surface shall be applied by *threshold discharge area* and in accordance with the definitions of these surfaces in Section 1.1. *Note: the calculation of total impervious surface may exclude any such added impervious surface that is confirmed by CED staff to be already mitigated by a City approved and inspected flow control facility or on-site BMP.*

**impervious surface**, or 7,000 square feet<sup>8</sup> or more of **land disturbing activity**, AND that meets the following criteria:

The project will result in less than 5,000 square feet of new plus replaced pollution generating impervious surface, will result in less than  $\frac{3}{4}$  acre of new pollution generating pervious surfaces, AND meets one of the following three additional criteria:

1. **The project meets the Basic Exemption from flow control in Core Requirement #3:** a) the project results in less than 5,000 square feet of **new plus replaced impervious surface**, AND b) less than  $\frac{3}{4}$  acres of **new pervious surface** will be added. *Note the Basic Exemption thresholds are applied by project site.*

2. **For projects on predominately till soils:**

The project results in no more than 7,947 square feet of target impervious surfaces as defined below AND proposed pervious area is equal to or less than  $14,941 - 1.88 \times$  (total target impervious surfaces).

3. **For projects on predominately outwash soils:**

The project results in no more than 6,872 square feet of target impervious surfaces as defined below AND proposed pervious area is equal to or less than  $20,343 - 2.96 \times$  (total target impervious surfaces).

### **Determination of Target Impervious Surface**

- If the project is a New Development project,  
*then target impervious surfaces include new **plus proposed replaced impervious surface**.*
- If the project is a Redevelopment project where
  - New impervious surface is less than 5,000 square feet or
  - Valuation of improvements is less than 50% of the assessed value of the existing site improvements,*then target impervious surfaces include new impervious surface.*
- If the project is a Redevelopment project where
  - New impervious surface is greater than or equal to 5,000 square feet **and**
  - Valuation of improvements is greater than or equal to 50% of the **assessed value** of the existing site improvements,*then target impervious surfaces include new **plus proposed replaced impervious surface**.*

*Note: for the purposes applying this threshold to a proposed single family residential subdivision (i.e., plat or short plat project), the impervious surface coverage assumed on each created lot shall be 4,000 square feet or the maximum allowed per Section 3.2.1, whichever is less. A lower impervious surface coverage may be assumed for any lot in which the lower impervious surface coverage is set as the maximum through a declaration of covenant recorded for the lot. Also, the **new pervious surface** assumed on each created lot shall be the entire lot area, except the assumed impervious portion and any portion in which native conditions are preserved by a clearing limit per RMC IV, a covenant or easement recorded for the lot, or a tract dedicated by the proposed subdivision.*

### **Scope of Requirements**

IF Simplified Drainage Review is required, THEN the proposed project must comply with the simplified project submittal and drainage design requirements detailed in *Simplified Drainage Requirements* adopted as Appendix C to this manual. These requirements include simplified BMPs/measures for flow control and erosion and sediment control.

### **Presumption of Compliance with Core and Special Requirements**

The simplified drainage requirements applied under Simplified Drainage Review are considered sufficient to meet the overall intent of the core and special requirements in Sections 1.2 and 1.3, except under certain conditions when a proposed project has characteristics that trigger Targeted Drainage Review (see the threshold for Targeted Drainage Review in Section 1.1.2.2) and may require the involvement of a civil

engineer. Therefore, any proposed project that is subject to Simplified Drainage Review as determined above and complies with the Simplified drainage requirements detailed in Appendix C is presumed to comply with all the core and special requirements in Sections 1.2 and 1.3 except those requirements that would apply to the project if it is subject to Targeted Drainage Review as specified in Section 1.1.2.2.

### 1.1.2.2 TARGETED DRAINAGE REVIEW

Targeted Drainage Review (TDR) is an abbreviated evaluation by CED permit review staff of a proposed project's compliance with selected core and special requirements. Projects subject to this type of drainage review are typically Simplified Drainage Review proposals or other small projects that have *site*-specific or project-specific drainage concerns that must be addressed by a *civil engineer* or CED engineering review staff. Under Targeted Drainage Review, engineering costs associated with drainage design and review are kept to a minimum because the review includes only those requirements that would apply to the particular project.

#### Threshold

Targeted Drainage Review is required for any proposed project that is subject to drainage review as determined in Section 1.1.1, but is not subject to Directed, Full or Large Project Drainage Review as determined in Sections 1.1.2.3, 1.1.2.4 and 1.1.2.5, AND that has the characteristics of one or more of the following project categories:

- **TDR Project Category #1:** Projects that contain or are adjacent to a *flood hazard, erosion hazard area*, or *steep slope hazard area* as defined in RMC 4-3-050; OR projects located within a *Landslide Hazard Drainage Area* or *Aquifer Protection Area*. *Note: at the discretion of CED, this category may also include any project in Simplified Drainage Review that has a design or site-specific issue that must be addressed by a civil engineer. A project is considered adjacent to a flood, erosion, or steep slope hazard area if any portion of the project site is within 50 feet.*
- **TDR Project Category #2:** Projects that propose to *construct or modify* a drainage pipe/ditch that is 12 inches or more in size/depth or receives surface and storm water runoff from a drainage pipe/ditch that is 12 inches or more in size/depth.
- **TDR Project Category #3: Redevelopment projects** that propose \$100,000 or more of improvements to an existing *high-use site*.

#### Scope of Requirements

IF Targeted Drainage Review is required, THEN the applicant must demonstrate that the proposed project complies with the selected core and special requirements corresponding to the project category or categories that best match the proposed project. The project categories and applicable requirements for each are described below and summarized in Table 1.1.2.A.

*Note: If the proposed project has the characteristics of more than one project category, the requirements of each applicable category shall apply.*

Compliance with these requirements requires the submittal of engineering plans and calculations stamped by a *civil engineer*, unless deemed unnecessary by CED and the City of Renton. The engineer need only demonstrate compliance with those core and special requirements that have been predetermined to be applicable based on specific project characteristics as detailed below. The procedures and requirements for submitting engineering plans and calculations can be found in Section 2.3.

#### TDR Project Category #1

This category includes projects that are too small to trigger application of most core requirements, but may be subject to *site*-specific floodplain or drainage requirements related to certain critical areas, or other area-specific drainage requirements adopted by the City. Such projects primarily include *single family residential projects* in Simplified Drainage Review.

IF the proposed project meets the characteristics of TDR Project Category #1, THEN the applicant must demonstrate that the project complies with the following requirements:

- “Core Requirement #5: Erosion and Sediment Control,” Section 1.2.5
- “Special Requirement #1: Other Adopted Area-Specific Requirements,” Section 1.3.1
- “Special Requirement #2: Floodplain/Floodway Analysis,” Section 1.3.2
- “Special Requirement #3: Flood Protection Facilities,” Section 1.3.3
- “Special Requirement #4: Source Control,” Section 1.3.4
- “Special Requirement #6: Aquifer Protection Area,” Section 1.3.6.

In addition, CED may require the applicant to demonstrate compliance with any one or more of the remaining seven core requirements in Section 1.2 based on project or site-specific conditions. For example, if the proposed project discharges to an erosion or steep slope hazard area as defined in RMC 4-3-050, CED may require compliance with “Core Requirement #1: Discharge at the Natural Location” (Section 1.2.1). This may in turn require compliance with “Core Requirement #2: Offsite Analysis” (Section 1.2.2) if a tightline is required by Core Requirement #1. If a tightline is found to be infeasible, CED may instead require a flow control facility per “Core Requirement #3: Flow Control” (Section 1.2.3). If a tightline is feasible, “Core Requirement #4: Conveyance System” (Section 1.2.4) would be required to ensure proper size and design. Any required flow control facility or tightline system may also trigger compliance with “Core Requirement #6: Maintenance and Operations” (Section 1.2.6), “Core Requirement #7: Financial Guarantees and Liability” (Section 1.2.7), and possibly “Core Requirement #8, Water Quality” (Section 1.2.8) if runoff from pollution-generating impervious surfaces is collected.

The applicant may also need to address compliance with any applicable critical areas requirements in RMC 4-3-050 as determined by CED.

### **TDR Project Category #2**

This category is intended to apply selected core and special requirements to those projects that propose to **construct or modify** a drainage system of specified size, but are not adding sufficient impervious surface to trigger Full Drainage Review or Large Project Drainage Review.

IF the proposed project meets the characteristics of TDR Project Category #2, THEN the applicant must demonstrate that the proposed project complies with the following requirements:

- “Core Requirement #1: Discharge at the Natural Location,” Section 1.2.1
- “Core Requirement #2: Offsite Analysis,” Section 1.2.2
- “Core Requirement #4: Conveyance System,” Section 1.2.4
- “Core Requirement #5: Erosion and Sediment Control,” Section 1.2.5
- “Core Requirement #6: Maintenance and Operations,” Section 1.2.6
- “Core Requirement #7: Financial Guarantees and Liability,” Section 1.2.7
- “Special Requirement #4: Source Control,” Section 1.3.4.

### **TDR Project Category #3**

This category is intended to improve water quality by applying source control and oil control requirements to **redevelopment projects** located on the most intensively used **sites** developed prior to current water quality requirements. These are referred to as **high-use sites**.

IF the proposed project meets the characteristics of TDR Project Category #3, THEN the applicant must demonstrate that the proposed project complies with the following requirements:

- “Core Requirement #5: Erosion and Sediment Control,” Section 1.2.5
- “Core Requirement #6: Maintenance and Operations,” Section 1.2.6
- “Core Requirement #7: Financial Guarantees and Liability,” Section 1.2.7
- “Special Requirement #4: Source Control,” Section 1.3.4
- “Special Requirement #5: Oil Control,” Section 1.3.5.

*Note: In some cases, CED may determine that application of these requirements does not require submittal of engineering plans and calculations stamped by a **civil engineer**. For example, if catch basin inserts are proposed to meet oil control requirements, engineered plans and calculations may not be necessary. A plot plan showing catch basin locations may suffice.*

### 1.1.2.3 DIRECTED DRAINAGE REVIEW

Directed Drainage Review (DDR) is an evaluation of a proposed single family residential project by CED permit review staff to determine a specialized list of submittal (plans, technical reports, etc.) and engineering requirements that ensures compliance with all core and special requirements in this chapter. Projects subject to this type of drainage review are single family residential projects that do not qualify for Simplified Drainage Review.

CED staff will review proposals and determine the following: whether the project is exempt from a given core or special requirement based on exemptions and exceptions listed in this Manual; whether a pre-engineered solution is available and feasible for meeting a given core or special requirement; whether a licensed civil engineer is required to comply with a given core or special requirement; and the type of technical report and plan submittal required to document compliance with the core and special requirements. Depending upon a project's site specific conditions, DDR may result in requirements for engineering or documentation that range from following the requirements of Appendix C to those required for full drainage review. CED will provide and/or require documentation of the DDR process and decision making to be included in the project file that demonstrates how compliance with all core and special requirements in this Manual are achieved.

Under Directed Drainage Review, engineering costs associated with drainage design and review are minimized because the review is tailored to the particular project.

#### **Threshold**

Directed Drainage Review is required for any single family residential project that results in 2,000 square feet or more of new plus replaced impervious surface or 7,000 square feet or more of land disturbing activity (refer to Section 1.1.1) but is not subject to Simplified Drainage Review or Large Project Drainage Review as determined in Sections 1.1.2.1 and Section 1.1.2.5.

#### **Scope of Requirements**

IF Directed Review is required, THEN the proposed project must comply with the following requirements:

All nine core requirements in Section 1.2

All six special requirements in Section 1.3

Engineering plans and calculations stamped by a **civil engineer** may be required be submitted to demonstrate compliance with these requirements. The procedures and requirements for submittal of engineering plans and calculations are as directed by CED in the DDR process.

### 1.1.2.4 FULL DRAINAGE REVIEW

Full Drainage Review is the evaluation by City staff (CED unless otherwise specified in RMC 4-6-060) of a proposed project's compliance with the full range of core and special requirements in this chapter. This review addresses the impacts associated with changing land cover on typical *sites*.

#### **Threshold**

Full Drainage Review is required for any proposed project, including a **redevelopment project**, that is subject to drainage review as determined in Section 1.1.1, OR that meets one or more of the following criteria:

- The project will result in 2,000 square feet<sup>9</sup> or more of *new impervious surface, replaced impervious surface, or new plus replaced impervious surface* but is not subject to Simplified Drainage Review or Directed Drainage Review as determined in Sections 1.1.2.1 and 1.1.2.3, OR
- The project will result in 7,000 square feet<sup>9</sup> or more of *land disturbing activity* but is not subject to Simplified Drainage Review or Directed Drainage Review as determined in Sections 1.1.2.1 and 1.1.2.3.

### Scope of Requirements

IF Full Drainage Review is required, THEN the applicant must demonstrate that the proposed project complies with the following requirements:

- All nine core requirements in Section 1.2
- All six special requirements in Section 1.3

Engineering plans and calculations stamped by a civil engineer must be submitted to demonstrate compliance with these requirements. The procedures and requirements for submittal of engineering plans and calculations are found in Section 2.3.

## 1.1.2.5 LARGE PROJECT DRAINAGE REVIEW

Large Project Drainage Review is applied to development proposals that are large and/or involve resources or problems of special sensitivity or complexity. Because of the large size and complexities involved, there is usually a greater risk of significant impact or irreparable damage to sensitive resources. Such proposals often require a more definitive approach to drainage requirements than that prescribed by the core and special requirements in Sections 1.2 and 1.3; it may be appropriate to collect additional information about *site* resources, use more sophisticated models, and prepare special studies not specified in this manual. Large Project Drainage Review entails preparation of a **master drainage plan (MDP)** or limited scope MDP that is reviewed and approved by CED.

### Threshold

Large Project Drainage Review is required for any proposed project that is subject to drainage review as determined in Section 1.1.1, AND that would, at full buildout, result in 50 acres or more of *new impervious surface* within a single subbasin or multiple subbasins that are *hydraulically connected*<sup>10</sup> across subbasin boundaries. Hydraulically connected means connected through surface flow or water features such as wetlands or lakes.

### Scope of Requirements

IF Large Project Drainage Review is required, THEN the applicant must do the following:

1. Prepare a **MDP**, limited scope MDP, or special study in accordance with the process and requirements described in the MDP guidelines, *Master Drainage Planning for Large or Complex Site Developments*, available from King County Department of Natural Resources and Parks (DNRP) or CED. The MDP or special study shall be completed, or a schedule for completion identified and agreed to by CED, prior to permit approval. *Note: Generally, it is most efficient for the MDP process to parallel the State Environmental Policy Act (SEPA) process.*
2. Demonstrate that the proposed project complies with all the core and special requirements in Sections 1.2 and 1.3, with some **potential modifications as follows**:
  - Core Requirement #2, Offsite Analysis, is typically modified during MDP scoping.
  - Core Requirement #3, Flow Control, may be modified to require more sophisticated hydrologic modeling.
  - Core Requirement #5, ESC, may be modified to require enhanced construction monitoring.

<sup>9</sup> The thresholds of 2,000, 5,000, and 7,000 square feet shall be applied by **project site**.

<sup>10</sup> *Hydraulically connected* means connected through surface flow or water features such as wetlands or lakes.

- Core Requirement #7, Financial Guarantees and Liability, may be modified to implement a monitoring fund.
- Special pre- and post-development monitoring may also be required if deemed necessary by CED to adequately characterize sensitive *site* and downstream resources, and to ensure that onsite drainage controls and mitigation measures are effective in protecting sensitive or critical resources. Detailed guidelines for monitoring are appended to the MDP guidelines referenced above.

### 1.1.3 DRAINAGE REVIEW REQUIRED BY OTHER AGENCIES

Drainage review for a proposed project’s impact on surface and storm waters may be addressed by processes or requirements apart from the City’s. Agencies such as those listed below may require some form of drainage review and impose drainage requirements that are separate from and in addition to the City’s drainage requirements. The applicant is responsible for coordinating with these agencies and resolving any conflicts in drainage requirements.

Agency	Permit/Approval
Seattle/King County Department of Public Health Washington State Department of Transportation Department of Fish and Wildlife Department of Ecology  Department of Natural Resources United States Army Corps of Engineers	Onsite Sewage Disposal and Well permits  Developer/Local Agency Agreement Hydraulic Project Approval Short Term Water Quality Modification Approval Dam Safety permit NPDES Stormwater permit Forest Practices Class IV permit Sections 10, 401, and 404 permits

### 1.1.4 DRAINAGE DESIGN BEYOND MINIMUM COMPLIANCE

This manual presents the City of Renton’s minimum standards for engineering and design of drainage facilities. While the City believes these standards are appropriate for a wide range of development proposals, compliance solely with these requirements does not relieve the professional engineer submitting designs of his or her responsibility to ensure drainage facilities are engineered to provide adequate protection for natural resources and public and private property.

Compliance with the standards in this manual does not necessarily mitigate all probable and significant environmental impacts to aquatic biota. Fishery resources and other living components of aquatic systems are affected by a complex set of factors. While employing a specific flow control standard may prevent stream channel erosion or instability, other factors affecting fish and other biotic resources (e.g., increases in stream flow velocities) are not directly addressed by this manual. Likewise, some wetlands, including bogs, are adapted to a very constant hydrologic regime. Even the most stringent flow control standard employed by this manual does not prevent increases in runoff volume, which can adversely affect wetland plant communities by increasing the duration and magnitude of water level fluctuations. Thus, compliance with this manual should not be construed as mitigating all probable and significant stormwater impacts to aquatic biota in streams and wetlands; additional mitigation may be required.



## 1.2 CORE REQUIREMENTS

This section details the following nine core requirements:

- “Core Requirement #1: Discharge at the Natural Location,” Section 1.2.1
- “Core Requirement #2: Offsite Analysis,” Section 1.2.2
- “Core Requirement #3: Flow Control,” Section 1.2.3
- “Core Requirement #4: Conveyance System,” Section 1.2.4
- “Core Requirement #5: Erosion and Sediment Control,” Section 1.2.5
- “Core Requirement #6: Maintenance and Operations,” Section 1.2.6
- “Core Requirement #7: Financial Guarantees and Liability,” Section 1.2.7
- “Core Requirement #8: Water Quality,” Section 1.2.8
- “Core Requirement #9: On-site BMPs,” Section 1.2.9

### 1.2.1 CORE REQUIREMENT #1: DISCHARGE AT THE NATURAL LOCATION

All storm water runoff and surface water from a project must be discharged at the natural location so as not to be diverted onto or away from downstream properties. The manner in which stormwater runoff and surface water are discharged from the *project site* must not create a significant adverse impact to downhill properties or drainage facilities (see “Discharge Requirements” below). Drainage facilities as described above means a constructed or engineered feature that collects, conveys, stores, treats, or otherwise manages surface water or stormwater runoff. “Drainage facility” includes, but is not limited to, a constructed or engineered stream, lake, wetland, or closed depression, or a pipe, channel, ditch, gutter, flow control facility, on-site BMP, water quality facility, erosion and sediment control facility, and any other structure and appurtenance that provides for drainage.

*Note: Projects that do not discharge all **project site** runoff at the natural location will require an approved adjustment of this requirement (see Section 1.4). CED may waive this adjustment, however, for projects in which only a small portion of the **project site** does not discharge runoff at the natural location and the runoff from that portion is unconcentrated and poses no significant adverse impact to downstream properties.*

**Intent:** To prevent adverse impacts to downstream properties caused by diversion of flow from one flowpath to another, and to discharge in a manner that does not significantly impact downhill properties or drainage systems. Diversions can cause greater impacts (from greater runoff volumes) than would otherwise occur from new development discharging runoff at the natural location. Diversions can also impact properties that rely on runoff water to replenish wells and ornamental or fish ponds.

#### ❑ DISCHARGE REQUIREMENTS

Proposed projects must comply with the following discharge requirements (1, 2, and 3) as applicable:

1. Where no conveyance system exists at the abutting downstream property line and the natural (existing) discharge is unconcentrated, any runoff concentrated by the proposed project must be discharged as follows:
  - a) IF the 100-year peak discharge<sup>11</sup> is less than or equal to 0.2 cfs under existing conditions and will remain less than or equal to 0.2 cfs under developed conditions, THEN the concentrated runoff may be discharged onto a rock pad or to any other system that serves to disperse flows.

<sup>11</sup> Peak discharges for applying this requirement are determined using the approved runoff model with 15-minute time steps as detailed in Chapter 3.

- b) IF the 100-year peak discharge is less than or equal to 0.5 cfs under existing conditions and will remain less than or equal to 0.5 cfs under developed conditions, THEN the concentrated runoff may be discharged through a dispersal trench or other dispersal system provided the applicant can demonstrate that there will be no significant adverse impact to downhill properties or drainage systems.
  - c) IF the 100-year peak discharge is greater than 0.5 cfs for either existing or developed conditions, or if a significant adverse impact to downhill properties or drainage systems is likely, THEN a conveyance system must be provided to convey the concentrated runoff across the downstream properties to an acceptable discharge point.<sup>12</sup> Drainage easements for this conveyance system must be secured from downstream property owners and recorded prior to engineering plan approval.
2. IF a proposed project, or any **natural discharge area** within a project, is located within a **Landslide Hazard Drainage Area** and drains over the erodible soils of a **landslide hazard** with slopes steeper than 15%, THEN a **tightline system must be provided** through the **landslide hazard** to an acceptable discharge point unless one of the following exceptions applies. The tightline system must comply with the design requirements in Core Requirement #4 and in Section 4.2.2 unless otherwise approved by CED. Drainage easements for this system must be secured from downstream property owners and recorded prior to engineering plan approval.

**Exceptions:** A tightline is not required for any **natural discharge location** where CED approves an alternative system based on a geotechnical evaluation/recommendation from a licensed geotechnical engineer that considers cumulative impacts on the hazard area under built out conditions AND one of the following conditions can be met:

- a) Less than 2,000 square feet of **new impervious surface** will be added within the **natural discharge area**, OR
  - b) The developed conditions runoff from the **natural discharge area** is less than 0.1 cfs for the 100-year runoff event and will be infiltrated for runoff events up to and including the 100-year event, OR
  - c) The *developed conditions runoff volume*<sup>13</sup> from the **natural discharge area** is less than 50% of the existing conditions runoff volume from other areas draining to the location where runoff from the **natural discharge area** enters the **landslide hazard** onto slopes steeper than 15%, AND the provisions of Discharge Requirement 1 are met, OR
  - d) CED determines that a tightline system is not physically feasible or will create a significant adverse impact based on a soils report by a geotechnical engineer.
3. For projects adjacent to or containing a **landslide hazard, steep slope hazard area, or erosion hazard area** as defined in RMC 4-3-050, the applicant must demonstrate that onsite drainage facilities and/or on-site BMPs will not create a significant adverse impact to downhill properties or drainage systems.

## 1.2.2 CORE REQUIREMENT #2: OFFSITE ANALYSIS

All proposed projects must submit an offsite analysis report that assesses potential offsite drainage and water quality impacts associated with development of the **project site**, and that proposes appropriate

<sup>12</sup> *Acceptable discharge point* means an enclosed drainage system (i.e., pipe system, culvert, or tightline) or open drainage feature (e.g., ditch, channel, swale, stream, river, pond, lake, or wetland) where concentrated runoff can be discharged without creating a significant adverse impact.

<sup>13</sup> For the purposes of applying this exception, the *developed conditions runoff volume* is the average annual runoff volume as computed per Chapter 3. The analysis is performed using the entire period of record. The total volume is divided by the number of full water years being analyzed to determine the annual average runoff volume. Any areas assumed not to be cleared when computing the developed conditions runoff volume must be set aside in an open space tract or covenant in order for the proposed project to qualify for this exception. Preservation of existing forested areas in **Landslide Hazard Drainage Areas** is encouraged.

mitigation of those impacts. The initial permit submittal shall include, at minimum, a **Level 1 downstream analysis** as described in Section 1.2.2.1 below. If impacts are identified, the proposed projects shall meet any applicable problem-specific requirements specified in Section 1.2.2.2 for mitigation of impacts to drainage problems and Section 1.2.2.3 for mitigation of impacts to water quality problems.

**Intent:** To identify and evaluate offsite flooding, erosion, and water quality problems that may be created or aggravated by the proposed project, and to ensure appropriate measures are provided for preventing creation or aggravation of those problems. In addition, this requirement is intended to ensure appropriate provisions are made, as needed, to mitigate other identified impacts associated with the quantity and quality of surface and storm water runoff from the *project site* (e.g., impacts to the hydrology of a wetland as may be identified by a “critical area report” per RMC 4-3-050).

The primary component of an offsite analysis report is the **downstream analysis**, which examines the drainage system within one-quarter mile downstream of the *project site* or farther as described in Section 1.2.2.1 below. It is intended to identify existing or potential/predictable downstream flooding, erosion, and water quality problems so that appropriate mitigation, as specified in Sections 1.2.2.2 and 1.2.2.3, can be provided to prevent aggravation of these problems. A secondary component of the offsite analysis report is an **evaluation of the upstream drainage system** to verify and document that significant flooding and erosion impacts will not occur as a result of the proposed project. The evaluation must extend upstream to a point where any backwater effects created by the project cease.

## ❑ EXEMPTION FROM CORE REQUIREMENT #2

With the exception of:

- Projects that trigger Core Requirement #3 (Flow Control Facilities) which must at minimum perform offsite analysis sufficient to identify and address “Downstream Drainage Problems Requiring Special Attention (Section 1.2.2.1.1), Problem Type 4 (Potential Impacts to Wetland Hydrology problem),” and
- Projects that trigger Core Requirement # 8 (Water Quality Facilities) which must at minimum perform offsite analysis sufficient to identify and address “Downstream Water Quality Problems Requiring Special Attention (Section 1.2.2.1.2),”

a proposed project is exempt from Core Requirement #2 if any one of the following is true:

1. The City of Renton determines there is sufficient information for them to conclude that the project will not have a significant adverse impact on the downstream and/or upstream drainage system, OR
2. The project adds less than 2,000 square feet of *new impervious surface*, AND less than ¾ acre of *new pervious surface*, AND does not **construct or modify** a drainage pipe/ditch that is 12 inches or more in size/depth or that receives runoff from a drainage pipe/ditch that is 12 inches or more in size/depth, AND does not contain or lie adjacent to a **landslide hazard, steep slope hazard area, or erosion hazard area** as defined in RMC 4-3-050, OR
3. The project does not change the rate, volume, duration, or location of discharges to and from the *project site* (e.g., where existing impervious surface is replaced with other impervious surface having similar runoff-generating characteristics, or where pipe/ditch modifications do not change existing discharge characteristics).

### 1.2.2.1 DOWNSTREAM ANALYSIS

The level of downstream analysis required depends on specific *site* and downstream conditions. Each project submittal must include at least a Level 1 downstream analysis. Upon review of the Level 1 analysis, CED may require a Level 2 or Level 3 analysis. If conditions warrant, additional, more detailed analysis may be required.

The **Level 1 downstream analysis** is a qualitative survey of each downstream system and is the first step in identifying flooding problems, erosion problems, or potential impacts to wetland hydrology problems as described below under “Downstream Drainage Problems Requiring Special Attention.” The Level 1 analysis also identifies water quality problems as described below under “Downstream Water Quality Problems Requiring Special Attention.” Each Level 1 analysis is composed of four tasks at a minimum:

- **Task 1:** Define and map the study area
- **Task 2:** Review all available information on the study area
- **Task 3:** Field inspect the study area
- **Task 4:** Describe the drainage system, and its existing and predicted drainage and water quality problems.

Upon review of the Level 1 analysis, CED may require a Level 2 or 3 downstream analysis, depending on the presence of existing or predicted flooding, erosion, or nuisance problems identified in the Level 1 analysis.

**Levels 2 and 3 downstream analysis** quantify downstream flooding, erosion, or nuisance problems by providing information on the severity and frequency of an existing problem or the likelihood of creating a new problem. A Level 2 analysis is a rough quantitative analysis (non-survey field data, uniform flow analysis). Level 3 is a more precise analysis (e.g., survey field data, backwater analysis) of significant problems. If conditions warrant, additional, more detailed analysis may be required beyond Level 3. For Levels 2 and 3 downstream analyses, an additional **Task 5**, addressing mitigation of existing and potential flooding, erosion, or nuisance problems, will be required.

### Extent of Downstream Analysis

The downstream analysis must consider the existing conveyance system(s) for a **minimum flowpath distance downstream** of one-quarter mile and beyond that, as needed, to reach a point where the *project site* area constitutes less than 15% of the tributary area. This minimum distance **may be increased** as follows:

- **Task 2** of a Level 1 downstream analysis (described in detail in Section 2.3.1.1) is a review of all available information on the downstream area and is intended to identify existing drainage and water quality problems. *In all cases, this information review shall extend one mile downstream of the project site.* The existence of flooding or erosion problems further downstream may extend the one-quarter-mile/15% minimum distance for other tasks to allow evaluation of impacts from the proposed development upon the identified flooding or erosion problems. The existence of documented water quality problems beyond the one-quarter-mile/15% distance may in some cases require additional mitigation of impacts as determined necessary by CED based on the type and severity of problem.
- If a project’s impacts to flooding or erosion problems are mitigated by improvements to the downstream conveyance system, the downstream analysis will extend a minimum of one-quarter mile beyond the improvement. This is necessary because many such improvements result in a reduction of stormwater storage or an increase in peak flows from the problem location.
- At their discretion, CED may extend the downstream analysis beyond the minimum distance specified above on the reasonable expectation of drainage or water quality impacts.

A detailed description of the scope of offsite analysis and submittal requirements is provided in Section 2.3.1.1. Hydrologic analysis methods and requirements for Levels 2 and 3 downstream analyses are contained in Chapter 3; hydraulic analysis methods are contained in Chapter 4.

#### 1.2.2.1.1 DOWNSTREAM DRAINAGE PROBLEMS REQUIRING SPECIAL ATTENTION

While the area-specific flow control facility requirement in Core Requirement #3 (Section 1.2.3.1) serves to minimize the creation and aggravation of many types of downstream drainage problems, there are some types that are more sensitive to creation/aggravation than others depending on the nature or severity of the problem and which flow control facility standard is being applied. In particular, there are four types of downstream drainage problems for which the City has determined that the nature and/or severity of the

problem warrants additional attention through the downstream analysis and possibly additional mitigation to ensure no creation/aggravation:

1. *Conveyance system nuisance problem.*
2. *Severe erosion problem.*
3. *Severe flooding problem.*
4. *Potential Impacts to Wetland Hydrology problem.*

These four types of downstream drainage problem are further described below and precisely defined at the beginning of Chapter 1.

### **Conveyance System Nuisance Problem (Type 1)**

*Conveyance system nuisance problems* are minor but chronic flooding or erosion problems that result from the overflow of a constructed conveyance system that is substandard or has become too small as a result of upstream development. Such problems warrant additional attention because of their chronic nature and because they result from the failure of a conveyance system to provide a minimum acceptable level of protection.

If a *conveyance system nuisance problem* is identified or predicted downstream, the need for additional mitigation must be evaluated as specified in Section 1.2.2.2 under “Drainage Problem-Specific Mitigation Requirements“. This may entail additional onsite flow control or other measures as needed to prevent creation or significant aggravation of the problem.

For any other nuisance problem that may be identified downstream, this manual does not require mitigation beyond the area-specific flow control facility requirement applied in Core Requirement #3 (Section 1.2.3.1) because preventing aggravation of such problems (e.g., those caused by the elevated water surfaces of ponds, lakes, wetlands, and closed depressions or those involving downstream erosion) can require two to three times as much onsite detention volume, which is considered unwarranted for nuisance problems. However, if under some unusual circumstance, the aggravation of such a nuisance problem is determined by CED to be a significant adverse impact, additional mitigation may be required.

### **Severe Erosion Problem (Type 2)**

*Severe erosion problems* can be caused by conveyance system overflows or the concentration of runoff into erosion-sensitive open drainage features. *Severe erosion problems* warrant additional attention because they pose a significant threat either to health and safety or to public or private property.

If a *severe erosion problem* is identified or predicted downstream, additional mitigation must be considered as specified in Section 1.2.2.2 under “Drainage Problem-Specific Mitigation Requirements“. This may entail additional onsite flow control or other measures as needed to prevent creation or aggravation of the problem.

### **Severe Flooding Problem (Type 3)**

*Severe flooding problems* (i.e., a *severe building flooding problem* or *severe roadway flooding problem*) can be caused by conveyance system overflows or the elevated water surfaces of ponds, lakes, wetlands, or closed depressions. *Severe flooding problems* warrant additional attention because they pose a significant threat either to health and safety or to public or private property.

If a *severe flooding problem* is identified or predicted downstream, the need for additional mitigation must be evaluated as specified in Section 1.2.2.2 under “Drainage Problem-Specific Mitigation Requirements“. This may entail consideration of additional onsite flow control or other measures as needed to prevent creation or significant aggravation of the problem.

### **Potential Impacts to Wetlands Hydrology Problem (Type 4)**

Potential impacts to wetlands hydrology can be caused by changes in the rate, duration, and quantity of stormwater discharged from the project site to a wetland.

Where wetlands are identified on the site, the applicant shall submit a critical area report at a level determined by CED to adequately evaluate the proposal and probable impacts.

Where wetlands are identified off the site AND the project is not exempt from Core Requirement #3, the applicant shall submit a critical area report at a level determined by CED to adequately evaluate the proposal and probable impacts.

Based upon the critical area report, CED will determine if the quantity of surface and storm water runoff from a proposed project or *threshold discharge area* within a proposed project could significantly alter the hydrology of a wetland-- in which case, CED will require (as described in Section 1.2.2.2 under “Drainage Problem-Specific Mitigation Requirements”), implementation of additional flow control or other measures to mitigate the adverse impacts of this alteration in accordance with the wetland hydrology protection guidelines in Reference Section 5.

### 1.2.2.1.2 DOWNSTREAM WATER QUALITY PROBLEMS REQUIRING SPECIAL ATTENTION

A *water quality problem*, for the purposes of impact mitigation in this manual, is a situation in which a waterbody of the State is documented by the Federal Government, State, or City to be exceeding or at concern of exceeding the State’s numeric water quality standards, or is subject to a federal, state, or City cleanup program or action. Water quality problems and associated water quality standards encompass surface water, groundwater, and sediment quality. The goal of this manual is to prevent creation or significant aggravation of such problems to the maximum extent practicable. While the area-specific water quality facility requirement in Section 1.2.8.1, the source controls required in Section 1.3.4, and the oil controls required in Section 1.3.5 all serve to minimize the creation and aggravation of many types of downstream water quality problems, there are some types that are either not addressed by these requirements (e.g., temperature problems) or warrant additional measures/considerations to minimize the proposed project’s impacts to the maximum extent practicable. In particular, there are currently 7 types of downstream water quality problems for which the City has determined that additional attention needs to be given to preventing or minimizing increases in the pollutant or pollutants of concern discharging from the *site*. These are as follows:

1. Bacteria Problem
2. Dissolved Oxygen Problem
3. Temperature Problem
4. Metals Problem
5. Phosphorus Problem
6. Turbidity Problem
7. High pH Problem

These problems are defined below and the mitigation of impacts to them is addressed in Section 1.2.2.3.

#### **Bacteria Problem (Type 1)**

A *bacteria problem* is defined as a stream reach, lake, or other waterbody of the state that is either (1) currently **designated by the state as a Category 5, 4, or 2 Waterbody** due to exceedance or concern for exceedance of the state’s numeric water quality standard for **fecal coliform** as documented in the state’s Water Quality Assessment 303(d)/305(b) Integrated Report and as displayed in WA Ecology’s electronic database and map viewer<sup>14</sup> of these waterbodies, or (2) is currently **designated by the City as a bacteria problem** based on credible data indicating exceedance or concern for exceedance of the state’s numeric water quality standard for **fecal coliform**.<sup>15</sup>

<sup>14</sup> The link to the Query Tool is <<https://fortress.wa.gov/ecy/wats/approvedsearch.aspx>>; select all appropriate mediums. The Map Tool is at <<https://fortress.wa.gov/ecy/wqamapviewer/default.aspx?res=1280x1024>>.

<sup>15</sup> Footnote 15 is not used.

### Dissolved Oxygen (DO) Problem (Type 2)

A *dissolved oxygen problem* is defined as a stream reach, lake, or other waterbody of the state that is either (1) currently **designated by the state as a Category 5, 4, or 2 Waterbody** due to exceedance or concern for exceedance of the state's numeric water quality standard for dissolved oxygen as documented in the state's Water Quality Assessment 303(d)/305(b) Integrated Report and as displayed in WA Ecology's electronic database and map viewer<sup>14</sup> of these waterbodies, or (2) is currently **designated by the City as a DO problem** based on credible data indicating exceedance or concern for exceedance of the state's numeric water quality standard for DO.

### Temperature Problem (Type 3)

A *temperature problem* is defined as a stream reach, lake, or other waterbody of the state that is either (1) currently **designated by the state as a Category 5, 4, or 2 Waterbody** due to exceedance or concern for exceedance of the state's numeric water quality standard for temperature as documented in the state's Water Quality Assessment 303(d)/305(b) Integrated Report and as displayed in WA Ecology's electronic database and map viewer<sup>14</sup> of these waterbodies, or (2) is currently **designated by the City as a temperature problem** based on credible data indicating exceedance or concern for exceedance of the state's numeric water quality standard for temperature.

### Metals Problem (Type 4)

A *metals problem* is defined as a stream reach, lake, or other waterbody of the state that is either (1) currently **designated by the state as a Category 5, 4, or 2 Waterbody** due to exceedance or concern for exceedance of the state's numeric water quality standards for metals (**e.g., copper, zinc, lead, mercury, etc.**) as documented in the state's Water Quality Assessment 303(d)/305(b) Integrated Report and as displayed in WA Ecology's electronic database and map viewer<sup>16</sup> of these waterbodies, or (2) is currently **designated by the City as a metals problem** based on credible data indicating exceedance or concern for exceedance of the state's numeric water quality standards for metals (**e.g., copper, zinc, lead, mercury, etc.**).

### Phosphorus Problem (Type 5)

A *phosphorus problem* is defined as a stream reach, lake, or other waterbody of the state that is either (1) currently **designated by the state as a Category 5, 4, or 2 Waterbody** due to exceedance or concern for exceedance of the state's numeric action standard for **total phosphorus** as documented in the state's Water Quality Assessment 303(d)/305(b) Integrated Report and as displayed in WA Ecology's electronic database and map viewer<sup>16,14</sup> of these waterbodies, or (2) is currently **designated by the City as a nutrient problem** based on credible data indicating exceedance or concern for exceedance of the state's numeric action standard for **total phosphorus**.<sup>17,15</sup>

### Turbidity Problem (Type 6)

A *turbidity problem* is defined as a stream reach, lake, or other waterbody of the state that is either (1) currently **designated by the state as a Category 5, 4, or 2 Waterbody** due to exceedance or concern for exceedance of the state's numeric water quality standard for turbidity as documented in the state's Water Quality Assessment 303(d)/305(b) Integrated Report and as displayed in WA Ecology's electronic database and map viewer<sup>14,16</sup> of these waterbodies, or (2) is currently **designated by the City as a turbidity problem** based on credible data indicating exceedance or concern for exceedance of the state's numeric water quality standard for turbidity.<sup>17</sup>

### High pH Problem (Type 7)

A *High pH problem* is defined as a stream reach, lake, or other waterbody of the state that is either (1) currently **designated by the state as a Category 5, 4, or 2 Waterbody** due to exceedance or concern for exceedance of the state's numeric water quality standard for high pH as documented in the state's

<sup>16</sup> The link to the Query Tool is <<https://fortress.wa.gov/ecy/wats/approvedsearch.aspx>>; select all appropriate mediums. The Map Tool is at <<https://fortress.wa.gov/ecy/wqamapviewer/default.aspx?res=1280x1024>>.

<sup>17</sup> Footnote 17 is not used.

Water Quality Assessment 303(d)/305(b) Integrated Report and as displayed in WA Ecology's electronic database and map viewer<sup>16</sup> of these waterbodies, or (2) is currently **designated by the City as a pH problem** based on credible data indicating exceedance or concern for exceedance of the state's numeric water quality standard for pH .<sup>17</sup>

### 1.2.2.2 DRAINAGE PROBLEM IMPACT MITIGATION

*A proposed project must not significantly aggravate existing downstream drainage problems or create new problems as a result of developing the site.* This manual does not require development proposals to fix or otherwise reduce the severity of existing downstream drainage problems, although doing so may be an acceptable mitigation.

#### Principles of Impact Mitigation for Drainage Problems

*Aggravation of an existing downstream drainage problem means increasing the frequency of occurrence and/or severity of the problem.* Increasing peak flows at the location of a problem caused by conveyance system overflows can increase the frequency of the problem's occurrence. Increasing durations of flows at or above the overflow return frequency can increase the severity of the problem by increasing the depth and duration of flooding. Controlling peaks and durations through onsite detention can prevent aggravation of such problems by releasing the increased volumes from development at return frequencies below the conveyance overflow return frequency, which limits their effect to just causing the conveyance system to flow full for a longer period of time.

When a problem is caused by high water-surface elevations of a volume-sensitive water body, such as a lake, wetland, or closed depression, aggravation is the same as for problems caused by conveyance overflows. Increasing the volume of flows to a volume-sensitive water body can increase the frequency of the problem's occurrence. Increasing the duration of flows for a range of return frequencies both above and below the problem return frequency can increase the severity of the problem; mitigating these impacts requires control of flow durations for a range of return frequencies both above and below the problem return frequency. The net effect of this duration control is to release the increased volumes from development only at water surface elevations below that causing the problem, which in turn can cause an increase in these lower, but more frequently occurring, water surface elevations. This underscores an unavoidable impact of development upstream of volume-sensitive water bodies: the increased volumes generated by the development will cause some range of increase in water surface elevations, no matter what detention standard is applied.

*Creating a new drainage problem means increasing peak flows and/or volumes so that after development, the frequency of conveyance overflows or water surface elevations exceeds the thresholds for the various problem types discussed in Section 1.2.2.1.* For example, application of the **Peak Rate Flow Control Standard** requires matching the *existing site conditions* 2- and 10-year peak flows. The 100-year peak flow is only partially attenuated, and the flow increase may be enough to cause a **severe flooding problem** as described in Section 1.2.2.1.1. The potential for causing a new problem is often identified during the Level 1 downstream analysis, where the observation of a reduction in downstream pipe sizes, for example, may be enough to predict creation of a new problem. A Level 2 or 3 analysis will typically be required to verify the capacity of the system and determine whether 100-year flows can be safely conveyed.

#### Significance of Impacts to Existing Drainage Problems

The determination of whether additional onsite mitigation or other measures are needed to address an existing downstream drainage problem depends on the significance of the proposed project's predicted impact on that problem. For some identified problems, CED will make the determination as to whether the project's impact is significant enough to require additional mitigation. For Type 1, 2, and 3 downstream drainage problems described in Section 1.2.2.1.1, this threshold of significant impact or aggravation is defined below. For a Type 4, "**Potential Impacts to Wetland Hydrology problem,**" CED will make this determination based on required critical area report findings, the wetland hydrology protection guidelines found in Reference Section 5, the project's relative contribution to the identified wetland's hydrology, and the mitigation proposed in meeting other requirements (e.g., flow control facilities and on-site BMPs).



For **conveyance system nuisance problems**, the problem is considered significantly aggravated if there is any increase in the project's contribution to the frequency of occurrence and/or severity of the problem for runoff events less than or equal to the 10-year event. *Note: Increases in the project's contribution to this type of problem are considered to be prevented if sufficient onsite flow control and/or offsite improvements are provided as specified in Table 1.2.3.A.*

For **severe erosion problems**, the problem is considered significantly aggravated if there is any increase in the project's existing contribution to the *flow duration*<sup>18</sup> of peak flows ranging from 50% of the 2-year peak flow up to the full 50-year peak flow at the eroded area. *Note: Increases in the project's contribution to this type of problem are considered to be prevented if **Flow Control Duration Standard** or offsite improvements are provided as specified in Table 1.2.3.A.*

For **severe building flooding problems**, the problem is considered significantly aggravated if there is any increase in the project's existing contribution<sup>19</sup> to the frequency, depth, or duration of the problem for runoff events less than or equal to the 100-year event.

For **severe roadway flooding problems**, the problem is considered significantly aggravated if any of the following thresholds are exceeded and there is any increase in the project's existing contribution<sup>19</sup> to the frequency, depth, or duration of the problem for runoff events less than or equal to the 100-year event:

- The *existing flooding*<sup>20</sup> over all lanes of a **roadway** or overtopping the culverted section of a **sole access driveway** is predicted to increase in depth more than a quarter-inch or 10% (whichever is greater) for the 100-year runoff event.
- The existing flooding over all lanes of a **roadway** or severely impacting a **sole access driveway** is more than 6 inches deep or faster than 5 feet per second for runoff events less than or equal to the 100-year event. A **severely impacted sole access driveway** is one in which flooding overtops a culverted section of the driveway, posing a threat of washout or unsafe access conditions due to indiscernible driveway edges, or flooding is deeper than 6 inches on the driveway, posing a severe impediment to emergency access.
- The existing flooding over all lanes of a *sole access roadway*<sup>21</sup> is more than 3 inches deep or faster than 5 feet per second for runoff events less than or equal to the 100-year event, or is at any depth for runoff events less than or equal to the 10-year event.

## □ DRAINAGE PROBLEM-SPECIFIC MITIGATION REQUIREMENTS

1. IF a proposed project or **threshold discharge area** within a project drains to one or more of Type 1, Type 2, or Type 3 downstream drainage problems described in Section 1.2.2.1 as identified through a downstream analysis, THEN the applicant must do one of the following:
  - a) Submit a Level 2 or Level 3 downstream analysis per Section 2.3.1 demonstrating that the proposed project will not create or significantly aggravate the identified downstream drainage problem(s), OR
  - b) Show that the **natural discharge area** or **threshold discharge area** draining to the identified problem(s) qualifies for an exemption from Core Requirement #3: Flow Control (Section 1.2.3) or

<sup>18</sup> *Flow duration* means the aggregate time that peak flows are at or above a particular flow rate (e.g., the amount of time over the last 50 years that peak flows were at or above the 2-year flow rate). *Note: flow duration is not considered to be increased if it is within the tolerances specified in Chapter 3.*

<sup>19</sup> Increases in the project's contribution are considered to be prevented if sufficient onsite flow control and/or offsite improvements are provided as specified for **severe flooding problems** in Table 1.2.3.A. For **severe flooding problems** located within the mapped 100-year floodplain of a **major receiving water** (see Table 1.2.3.B) or the mapped 100-year floodplain of a major stream for which there is an adopted basin plan, increases in the project's contribution are considered negligible (zero) regardless of the flow control standard being applied, unless CED determines there is a potential for increased flooding separate from that associated with the existing 100-year floodplain.

<sup>20</sup> *Existing flooding*, for the purposes of this definition, means flooding over all lanes of the roadway or driveway has occurred in the past and can be verified by County records, County personnel, photographs, or other physical evidence.

<sup>21</sup> *Sole access roadway* means there is no other flood-free route for emergency access to one or more dwelling units.

- an exception from the applicable area-specific flow control facility requirement per Section 1.2.3.1, OR
- c) Document that the applicable area-specific flow control facility requirement specified in Core Requirement #3 is adequate to prevent creation or significant aggravation of the identified downstream drainage problem(s) as indicated in Table 1.2.3.A with the phrase, “No additional flow control needed,” OR
  - d) Provide additional onsite flow control necessary to prevent creation or significant aggravation of the downstream drainage problem(s) as specified in Table 1.2.3.A and further detailed in Section 3.3.5, OR
  - e) Provide offsite improvements necessary to prevent creation or significant aggravation of the identified downstream drainage problem(s) as detailed in Chapter 3 unless identified as not necessary in Table 1.2.3.A, OR
  - f) Provide a combination of additional onsite flow control and offsite improvements sufficient to prevent creation or significant aggravation of the downstream drainage problem(s) as demonstrated by a Level 2 or Level 3 downstream analysis.
2. IF it is identified that the manner of discharge from a proposed project may create a significant adverse impact as described in Core Requirement #1, THEN CED may require the applicant to implement additional measures or demonstrate that the impact will not occur.
  3. IF it is identified through a critical area review as described under “**Potential Impacts to Wetlands Hydrology Problem (Type 4)**,” that the quantity of surface and storm water runoff from a proposed project or *threshold discharge area* within a proposed project could significantly alter the hydrology of a wetland (Type 4 problem), THEN CED shall require the applicant to implement additional flow control or other measures to mitigate the adverse impacts of this alteration in accordance with the wetland hydrology protection guidelines in Reference Section 5.

**Intent:** To ensure provisions are made (if necessary) to prevent creation or significant aggravation of the four types of downstream drainage problems requiring special attention by this manual, and to ensure compliance with the discharge requirements of Core Requirement #1.

In addressing downstream drainage problems per Problem-Specific Mitigation Requirement 1 above, additional onsite flow control will often be the easiest provision to implement. This involves designing the required onsite flow control facility to meet an additional set of performance criteria targeted to prevent significant aggravation of specific downstream drainage problems. To save time and analysis, a set of predetermined flow control performance criteria corresponding to each of the three types of downstream drainage problems is provided in Table 1.2.3.A and described in more detail in Chapter 3.

Note that in some cases the area-specific flow control facility requirement applicable to the proposed project per Section 1.2.3.1 is already sufficient to prevent significant aggravation of many of the defined downstream drainage problem types. Such situations are noted in Table 1.2.3.A as not needing additional onsite flow control or offsite improvements. For example, if the project is located within a Flow Control Duration Standard Area subject to the *Flow Control Duration Standard* per Section 1.2.3.1.B, and a *conveyance system nuisance problem* is identified through offsite analysis per Core Requirement #2, no additional onsite flow control is needed, and no offsite improvements are necessary.

### 1.2.2.3 WATER QUALITY PROBLEM IMPACT MITIGATION

As stated in Section 1.2.2.1, the goal of this manual is to prevent creation and/or significant aggravation of water quality problems to the maximum extent practicable. This is accomplished through a number of mitigation requirements, including (1) the area-specific water quality facility requirement in Section 1.2.8.1, (2) any mitigation required by other adopted area-specific requirements per Special Requirement #1, Section 1.2.9, (3) the source controls required in Special Requirement #4, Section 1.3.4, (4) the oil control required in Special Requirement #5, Section 1.3.5, and (5) the water quality problem-

specific mitigation requirements presented in this section. *Note that this manual does not require development proposals to fix or otherwise reduce the severity of existing downstream water quality problems, although doing so may be an acceptable mitigation.*

## ❑ WATER QUALITY PROBLEM-SPECIFIC MITIGATION REQUIREMENTS

IF a proposed project drains to one or more of the 7 types of downstream water quality problems defined in Section 1.2.2.1 as identified through a downstream analysis, THEN the applicant must comply with the following problem-specific mitigation requirements that apply. *Note that CED may require additional measures if the opportunity exists to further mitigate the pollutants of concern associated with these types of problems.*

### Bacteria Problem (Type 1)

IF the proposed project drains to a bacteria problem located within the quarter mile/15% distance downstream (or beyond as deemed necessary by CED), THEN the following requirements must be met as applicable:

1. IF a water quality facility is required per Core Requirement #8, THEN a **sand filter** or **stormwater wetland** shall be used to meet the area-specific water quality facility requirement. Sand filters are the preferred option. Other treatment options for meeting the area-specific facility requirement may be used in lieu of a sand filter or stormwater wetland only if combined with an **emerging technology treatment method** that provides equivalent removal of fecal coliform as demonstrated through an experimental design adjustment per Section 1.4.
2. IF the proposed project is a residential subdivision, THEN **signage** shall be provided in the subdivision's public areas (i.e., recreation/open space areas and right-of-way) requesting that pet waste be picked up in order to protect downstream water quality. The extent and location of this signage shall be reviewed and approved by CED.
3. IF the proposed project is a multifamily development with a recreation/open area or is a park improvement, THEN **signage** shall be provided requesting that pet waste be picked up in order to protect downstream water quality. The extent and location of this signage shall be reviewed and approved by CED.

### Dissolved Oxygen (DO) Problem (Type 2)

IF the proposed project drains to a DO problem located within the quarter mile/15% distance downstream (or beyond as deemed necessary by CED), THEN the following requirements must be met as applicable:

1. IF the proposed project includes a wetpond or wetvault, THEN the **wetpool depth** shall not exceed 6 feet, AND the outflow system shall include a measure designed to **promote aeration** of the facility's discharges for 2-year runoff events and smaller. One way to do this is to create a drop in flow elevation within a manhole by placing the outlet invert of the incoming pipe a minimum of 12 inches above the 2-year headwater elevation of the outgoing pipe. Alternatively, if the outflow system discharges to an open channel, the same drop in flow elevation could be achieved by placing the outlet invert a minimum of 12 inches above the 2-year tailwater elevation created by the channel. Other equivalent approaches may be used as approved by CED.
2. IF the proposed project includes a wetvault, THEN the required **ventilation area** specified in Chapter 6 shall be doubled.
3. IF the DO problem is documented to be caused by **excessive phosphorus** and a water quality facility is required per Core Requirement #8, THEN a water quality facility option from the **Sensitive Lake Protection menu** shall be a component of the required treatment system.

### Temperature Problem (Type 3)

IF the proposed project drains to a temperature problem located within the quarter mile/15% distance downstream (or beyond as deemed necessary by CED), THEN the following requirements must be met as applicable:

1. IF a water quality facility is required per Core Requirement #8, THEN use of a **wetpond is prohibited** unless it will be at least 50% shaded at midday in the summer or its discharges will flow through 200 feet or more of open channel that is at least 50% shaded at midday in the summer. CED shall review and approve the extent and location of this shading.
2. IF the proposed project includes open drainage features, THEN vegetation or other means shall be used where practicable to **maximize shading** of the drainage features, except bioswales and filter strips. The extent and location of this shading shall be reviewed and approved by CED.

#### **Metals Problem (Type 4)**

IF the proposed project drains to a metals problem located within the quarter mile/15% distance downstream (or beyond as deemed necessary by CED), THEN the following requirements must be met as applicable:

1. IF a water quality facility is required per Core Requirement #8, THEN a water quality facility option from the **Enhanced Basic WQ menu** shall be a component of the project's required treatment system.
2. IF the proposed project is a residential subdivision, THEN a **covenant** shall be recorded for each lot and common area tract prohibiting use of **leachable heavy metals** (e.g., galvanized metals) that will be exposed to the weather (use the covenant in Reference Section 8-Q).
3. IF the proposed project includes road right-of-way improvements, THEN use of **leachable heavy metals** (e.g., galvanized metals) that will be exposed to the weather (e.g., **guard rails, street lights, etc.**) shall be avoided.

#### **Phosphorus Problem (Type 5)**

IF the proposed project drains to a phosphorus problem located within the quarter mile/15% distance downstream (or beyond as deemed necessary by CED), THEN the following requirements must be met as applicable:

1. IF a water quality facility is required per Core Requirement #8, THEN the project shall be assumed to be located within a designated Sensitive Lake WQ Treatment Area for the purposes of applying the area-specific water quality treatment requirement in Section 1.2.8.1.
2. For the purposes of applying the Erosion and Sediment Control Standards in Appendix D, the project shall be assumed to be located within a designated Sensitive Lake WQ Treatment Area.

#### **Turbidity Problem (Type 6)**

IF the proposed project drains to a turbidity problem located within the quarter mile/15% distance downstream (or beyond as deemed necessary by CED) AND the downstream flow path from the **project site** to the turbidity problem is through a **landslide hazard, steep slope hazard area, erosion hazard area** or any actively eroding area, THEN the project shall provide a tightline system through the area in accordance with the same criteria and exceptions specified in Core Requirement #1, **Discharge Requirement 2** for projects located within a designated **Landslide Hazard Drainage Area**. Other means for safely conveying **project site** discharges through the area of concern for erosion may be proposed subject to approval by CED.

#### **High pH Problem (Type 7)**

IF the proposed project drains to a pH problem located within the quarter mile/15% distance downstream (or beyond as deemed necessary by CED) AND the proposed project includes a concrete vault structure for stormwater control purposes, THEN the vault's submerged surfaces shall be coated or otherwise treated to prevent alteration of pH.

## 1.2.3 CORE REQUIREMENT #3: FLOW CONTROL FACILITIES

All proposed projects, including *redevelopment projects*, must provide onsite flow control facilities to mitigate the impacts of storm and surface water runoff generated by *new impervious surface*, *new pervious surface*, and *replaced impervious surface* targeted for flow mitigation as specified in the following sections. **Flow control facilities** must be provided and designed to perform as specified by the area-specific flow control facility requirement in Section 1.2.3.1 and in accordance with the applicable flow control facility implementation requirements in Section 1.2.3.2.

**Intent:** To ensure the minimum level of control needed to protect downstream properties and resources from increases in peak, duration, and volume of runoff generated by new development. The level of control varies depending on location and downstream conditions identified under Core Requirement #2.

### ❑ EXEMPTION FROM CORE REQUIREMENT #3

There is a single exemption from the flow control provisions of Core Requirement #3:

#### Basic Exemption

A proposed project is exempt if it meets the following criteria:

1. Less than 5,000 square feet of *new plus replaced impervious surface* will be created, AND
2. Less than  $\frac{3}{4}$  acres of *new pervious surface* will be added.

### 1.2.3.1 AREA-SPECIFIC FLOW CONTROL FACILITY REQUIREMENT

Projects subject to Core Requirement #3 must provide flow control facilities as specified by the area-specific facility requirements and exceptions for the **designated flow control area** in which the proposed project or *threshold discharge area* of the proposed project is located as described in Subsections A, B, and C below.

#### Guide to Applying the Area-Specific Flow Control Facility Requirement

The flow control facility requirement varies across the City according to the *flow control area* within which the project or a *threshold discharge area* of the project is located. There are currently four such flow control areas, three of which are depicted on the City of Renton Flow Control Applications Map adopted in Reference Section 15-A of this manual or viewed via COR Maps (<<http://rp.rentonwa.gov/SilverlightPublic/Viewer.html?Viewer=COR-Maps>>).

These are referred to as follows.

1. **Flow Control Duration Standard – Matching Forested** site conditions for areas draining to streams and subject to flow-related water quality problems such as erosion or sedimentation.
2. **Flow Control Duration Standard – Matching Existing** site conditions in designated highly urbanized areas draining to streams that are currently stable or showing no impacts caused by high flows.
3. **Peak Rate Flow Control Standard – Matching Existing** site conditions 2, 10 and 100-year peak-rate runoff for areas draining to constructed (man-made) or highly modified drainage systems so as not to create a downstream flooding problem.
4. **Flood Problem Flow Control Standard** – Although no Flood Problem Flow Control Standard areas are currently shown on the map, the City may apply this standard where projects discharge to a severe flooding or erosion problems. The standard includes flow control for duration matching forested (historical) conditions for the 2-year through the 100-year return frequencies.

**Guide to Applying the Area-Specific Flow Control Facility Requirement (cont.)**

Note that the minimum required performance of the facility as specified by this requirement may need to be increased to ensure that downstream drainage problems are not created or significantly aggravated as set forth in Section 1.2.2.2, “Drainage Problem-Specific Mitigation Requirements.” Table 1.2.3.A provides a quick guide for selecting the flow control performance criteria necessary to meet both the area-specific flow control facility requirement and the problem-specific mitigation requirement. This is further explained in Step 4 below.

For efficient application of the flow control facility requirement, the following steps are recommended:

1. Check the Direct Discharge Exemption in Section 1.2.3.1 to determine if and/or which portions of your project are exempt from the flow control facility requirement. If exempt from the flow control facility requirement, proceed to Step 6.
2. Use the City of Renton Flow Control Applications Map (Reference Section 15-A) to determine the flow control area in which your project is located.
3. Consult the detailed requirement and exception language for the identified flow control area to determine if and how the flow control facility requirement applies to your project. This requirement and exception language is detailed on subsequent pages for each of the flow control areas depicted on the City of Renton Flow Control Applications Map. If a flow control facility is not applicable per the area-specific exceptions, proceed to Step 6.
4. If downstream drainage problems were identified through offsite analysis per Core Requirement #2 and are proposed to be addressed through onsite flow control, use Table 1.2.3.A to determine if and what additional flow control performance is necessary to mitigate impacts (i.e., to prevent creation or aggravation of the identified problems).
5. Use Section 1.2.3.2 to identify the applicable requirements for implementing the flow control facility requirement. These requirements cover facility siting, analysis and design, unusual situations, and other site-specific considerations.
6. Use Core Requirement #9 to identify the on-site BMPs that must be applied to your *project site* regardless of whether a flow control facility is required.

**TABLE 1.2.3.A  
SUMMARY OF FLOW CONTROL PERFORMANCE CRITERIA ACCEPTABLE FOR IMPACT  
MITIGATION<sup>(1)</sup>**

IDENTIFIED PROBLEM DOWNSTREAM	AREA-SPECIFIC FLOW CONTROL FACILITY REQUIREMENT			
	Peak Rate Flow Control Standard Areas	Flow Control Duration Standard Matching Existing Condition Areas	Flow Control Duration Standard Matching Forested Condition Areas	Flood Problem Flow Control Standard Areas
<p><b>No Problem Identified</b></p> <p>Apply the minimum area-specific flow control performance criteria.</p>	<p>Apply the <b>Peak Rate Flow Control Standard</b>, which matches the 2-, 10-, and 100-year peaks</p>	<p>Apply the <b>Flow Control Duration Standard</b>, which matches the flow duration of pre-developed rates for <b>existing site conditions</b> over the range of flows extending from 50% of 2-year up to the full 50-year flow AND matches peaks for the 2- and 10-year return periods.</p>	<p>Apply the <b>Flow Control Duration Standard</b> which matches the flow duration of pre-developed rates for forested (<b>historical site conditions</b>) over the range of flows extending from 50% of 2-year up to the full 50-year flow AND matches peaks for the 2- and 10-year return periods</p>	<p>Apply the <b>existing</b> or <b>historical site conditions Flow Control Duration Standard</b> (whichever is appropriate based on downstream flow control areas) AND match <b>existing site conditions</b> 100-year peaks</p>
<p><b>Type 1 Drainage Problem</b></p> <p><b>Conveyance System Nuisance Problem</b></p>	<p><u>Additional Flow Control</u></p> <p>Hold 10-year peak to overflow <math>T_r</math> peak<sup>(2)(3)</sup></p>	<p><u>Additional Flow Control</u></p> <p>The City may require design adjustments to meet the Flow Control Duration Standard matching forested (historical) conditions.</p>	<p><i>No additional flow control or other mitigation is needed</i></p>	<p><i>No additional flow control or other mitigation is needed</i></p>
<p><b>Type 2 Drainage Problem</b></p> <p><b>Severe Erosion Problem</b></p>	<p><u>Additional Flow Control</u></p> <p>Apply the Flow Control Duration Standard matching forested (historical) conditions<sup>(3)(4)</sup></p>	<p><u>Additional Flow Control</u></p> <p>Apply the Flow Control Duration Standard matching forested (historical) conditions.<sup>(3)(4)</sup></p>	<p><i>No additional flow control is needed, but other mitigation may be required<sup>(4)</sup></i></p>	<p><i>No additional flow control is needed, but other mitigation may be required<sup>(4)</sup></i></p>
<p><b>Type 3 Drainage Problem</b></p> <p><b>Severe Flooding Problem</b></p>	<p><u>Additional Flow Control</u></p> <p>Apply the <b>Flow Control Duration Standard matching forested (historical) conditions</b>. If flooding is from a closed depression, make design adjustments as needed to meet the "special provision for closed depressions"<sup>(3)(5)</sup></p>	<p><u>Additional Flow Control</u></p> <p>Apply the <b>Flow Control Duration Standard matching forested (historical) conditions</b>. If flooding is from a closed depression, make design adjustments as needed to meet the "special provision for closed depressions"<sup>(3)(5)</sup></p>	<p><u>Additional Flow Control</u></p> <p>If flooding is from a closed depression, make design adjustments as needed to meet the "special provision for closed depressions"<sup>(3)(5)</sup></p>	<p><u>Additional Flow Control</u></p> <p>If flooding is from a closed depression, make design adjustments as needed to meet the "special provision for closed depressions"<sup>(3)(5)</sup></p>

**TABLE 1.2.3.A  
SUMMARY OF FLOW CONTROL PERFORMANCE CRITERIA ACCEPTABLE FOR IMPACT  
MITIGATION<sup>(1)</sup>**

IDENTIFIED PROBLEM DOWNSTREAM	AREA-SPECIFIC FLOW CONTROL FACILITY REQUIREMENT			
	Peak Rate Flow Control Standard Areas	Flow Control Duration Standard Matching Existing Condition Areas	Flow Control Duration Standard Matching Forested Condition Areas	Flood Problem Flow Control Standard Areas
<b>Type 4 Potential Impact to Wetland Hydrology as Determined through a Critical Area Review per RMC Title IV</b>	<u>Additional Flow Control</u> The City may require design adjustments per the wetland hydrology protection guidelines in Reference Section 5.	<u>Additional Flow Control</u> The City may require design adjustments per the wetland hydrology protection guidelines in Reference Section 5.	<u>Additional Flow Control</u> The City may require design adjustments per the wetland hydrology protection guidelines in Reference Section 5.	<u>Additional Flow Control</u> The City may require design adjustments per the wetland hydrology protection guidelines in Reference Section 5.

*Notes:*

- (1) More than one set of problem-specific performance criteria may apply if two or more downstream drainage problems are identified through offsite analysis per Core Requirement #2. If this happens, the performance goals of each applicable problem-specific criterion must be met. This can require extensive, time-consuming analysis to implement multiple sets of outflow performance criteria if additional onsite flow control is the only viable option for mitigating impacts to these problems. In these cases, it may be easier and more prudent to implement the **Flow Control Duration Standard matching forested conditions** standard in place of the otherwise required area-specific standard. Use of the **Flow Control Duration Standard matching forested conditions** standard satisfies the specified performance criteria for all the area-specific and problem-specific requirements except if adjustments are required per the special provision for closed depressions described below in Note 5.
- (2) Overflow  $T_r$  is the return period of conveyance system overflow. To determine  $T_r$ , requires a minimum Level 2 downstream analysis as detailed in Section 2.3.1.1. To avoid this analysis, a  $T_r$  of 2 years may be assumed.
- (3) Offsite improvements may be implemented in lieu of or in combination with additional flow control as allowed in Section 1.2.2.2 and detailed in Section 3.3.5.
- (4) A tightline system may be required regardless of the flow control standard being applied if needed to meet the discharge requirements of Core Requirement #1 or the outfall requirements of Core Requirement #4, or if deemed necessary by the City of Renton where the risk of severe damage is high.
- (5) **Special Provision for Closed Depressions with a Severe Flooding Problem:**  
IF the proposed project discharges by overland flow or conveyance system to a closed depression experiencing a **severe flooding problem** AND the amount of **new impervious surface** area proposed by the project is greater than or equal to 10% of the 100-year water surface area of the closed depression, THEN use the "point of compliance analysis technique" described in Section 3.3.6 to verify that water surface levels are not increasing for the return frequencies at which flooding occurs, up to and including the 100-year frequency. If necessary, iteratively adjust onsite flow control performance to prevent increases. *Note: The point of compliance analysis relies on certain field measurements taken directly at the closed depression (e.g., soils tests, topography, etc.). If permission to enter private property for such measurements is denied, the City of Renton may waive this provision and apply the **Flow Control Duration Standard matching forested conditions** standard with a mandatory 20% safety factor on the storage volume.*



## □ DIRECT DISCHARGE EXEMPTION

Any onsite **natural drainage area** is exempt from the flow control facility requirement if the area drains to one of the **major receiving waters** listed in Table 1.2.3.B, AND meets the following criteria for *direct discharge*<sup>23</sup> to that receiving water:

1. The **flowpath** from the **project site** discharge point to the edge of the 100-year floodplain of the major receiving water will be **no longer than a half mile**, except for discharges to Lake Washington, AND
2. The conveyance system between the **project site** and the **major receiving water** will extend to the ordinary high water mark, and will be **comprised of manmade conveyance elements** (pipes, ditches, etc.) and will be within public right-of-way or a public or private drainage easement, AND
3. The conveyance system will have **adequate capacity**<sup>24</sup> to convey the 25-year peak flow (per Core Requirement #4, Conveyance System), for the entire contributing drainage area, assuming **build-out conditions** to current zoning for the *equivalent area* portion (the area that is contained within an arc formed by the shortest, straight line distance from the conveyance system discharge point to the furthestmost point of the proposed project) and existing conditions for the remaining area, AND
4. The conveyance system will be adequately **stabilized to prevent erosion**, assuming the same basin conditions as assumed in Criteria (c) above, AND
5. The direct discharge proposal will not **divert flows** from or increase flows to an **existing wetland or stream** sufficient to cause a significant adverse impact.

**TABLE 1.2.3.B  
MAJOR RECEIVING WATERS<sup>22</sup>**

- Cedar River downstream of Taylor Creek confluence
- Johns Creek downstream of Interstate-405 (I-405) east right-of-way
- Lake Washington

*Note: The **major receiving waters** listed above do not include side adjacent or associated channels, spring- or groundwater-fed streams, or wetlands.*

## A. PEAK RATE FLOW CONTROL STANDARD AREAS

The **Peak Rate Flow Control Standard** is a peak-rate matching standard intended to prevent increases of peak flows for specific events rather than match flow-durations over a range of flows. The standard is appropriate for use in areas where the concern is flooding rather than stream bed erosion. Within the City of Renton, this standard is allowed for those areas that are highly urbanized prior to 1985 and that drain to pipes or non-fish bearing constructed conveyance systems leading to the lower Cedar River, Lake Washington or the portion of the Green River Valley floor located in Renton.

### Minimum Required Performance

Facilities in **Peak Rate Flow Control Standard Areas** must comply with the following flow control performance standards and assumptions unless modified by offsite analysis per Core Requirement #2 (see Table 1.2.3.A):

**Peak Rate Flow Control Standard:** Match the developed peak discharge rates to **existing site conditions** peak discharge rates for 2-, 10-, and 100-year return periods.

### Intent

The **Peak Rate Flow Control Standard** is intended to protect flow-carrying capacity and limit increased erosion within the downstream conveyance system for runoff events less than or equal to the 10-year event. Matching the 2-, 10-, and 100-year peak flows is intended to prevent increases in return-frequency peak flows less than or equal to the 100-year peak flow down to the 2-year peak

<sup>22</sup> Footnote 22 is not used.

<sup>23</sup> *Direct discharge* means undetained discharge from a proposed project to a **major receiving water**.

<sup>24</sup> *Note: The City does not charge a special use fee.*

flow. This level of control is also intended to prevent creation of new *conveyance system nuisance problems* as described in Section 1.2.2.1.

### Effectiveness in Addressing Downstream Drainage Problems

While the **Peak Rate Flow Control Standard** provides reasonable protection from many development-induced conveyance problems (up to the 100-year event), it does not prevent increases in runoff volumes or flow durations that tend to aggravate the three types of downstream drainage problems described in Section 1.2.2.1. Consequently, if one or more of these problems are identified through offsite analysis per Core Requirement #2, additional onsite flow control and/or offsite improvements will likely be required (see “Drainage Problem-Specific Mitigation Requirements” in Section 1.2.2.2).

### Target Surfaces

Facilities in **Peak Rate Flow Control Standard Areas** must mitigate (either directly or in effect) the runoff from the following target surfaces within the *threshold discharge area* for which the facility is required:

1. *New impervious surface* that is **not fully dispersed** per the criteria in Section 1.2.3.2.C as specified in Appendix C. For individual lots within residential subdivision projects, the extent of *new impervious surface* shall be assumed as specified in Chapter 3. *Note, any new impervious surface such as a bridge or boardwalk that spans the ordinary high water of a stream, pond, or lake may be excluded as a target surface if the runoff from such span is conveyed to the ordinary high water area in accordance with Criteria (b), (c), (d), and (e) of the “Direct Discharge Exemption“ (p 1-39).*
2. *New pervious surface* that is **not fully dispersed** as specified in Appendix C. For individual lots within residential subdivision projects, the extent of *new pervious surface* shall be assumed to be the entire lot area, except the assumed impervious portion and any portion in which native conditions are preserved by covenant, tract, or easement. In addition, the *new pervious surface* on individual lots shall be assumed to be 100% grass.

### Exceptions

The following exceptions apply only in **Peak Rate Flow Control Standard Areas**:

1. The facility requirement in **Peak Rate Flow Control Standard Areas** is waived for any *threshold discharge area* in which the target surfaces subject to this requirement will generate **no more than a 0.15-cfs increase** (when modeled using 15 minute time steps) in the *existing site conditions* 100-year peak flow (modeled using same time step unit (e.g., 15-minute) used to calculate the developed flow). *Note: for the purposes of this calculation, target surfaces served by on-site BMPs per Appendix C may be modeled in accordance with the on-site BMP sizing credits in Core Requirement #9, Table 1.2.9.A.*
2. The facility requirement in **Peak Rate Flow Control Standard Areas** may be waived for any *threshold discharge area* of a *redevelopment project* in which all of the following criteria are met:
  - a) The target surfaces subject to the **Peak Rate Flow Control Standard Areas** facility requirement will generate no more than a **0.15-cfs increase** (when modeled using 15-minute time steps) in the *existing site conditions* 100-year peak flow (modeled using same time step unit (e.g., 15-minute) used to calculate the developed flow) at any *natural discharge location* from the *project site* (*note: for the purposes of this calculation, target surfaces served by on-site BMPs per Appendix C may be modeled in accordance with the on-site BMP sizing credits in Core Requirement #9, Table 1.2.9.A, AND*
  - b) The increased runoff from target surfaces will not significantly impact a critical area, *severe flooding problem*, or *severe erosion problem*.

## B. FLOW CONTROL DURATION STANDARD AREAS

The flow control duration standard requires runoff from urban developments to be detained and released at a rate that matches the flow duration of predeveloped rates over the range of flows extending from ½ of the 2-year up to the 50-year flow. Also match developed peak discharge rates to predeveloped peak discharge rates for the 2- and 10-year return periods. Flow duration specifies the cumulative amount of time that various flows are equaled or exceeded during a long-term simulation using historical rainfall. The target flow duration may be the “historical” (i.e., fully forested condition) or in specific situations it may be the existing site or “pre-project” condition as described below. The Flow Control Applications Map shows the areas where the “forested” and “existing” conditions are allowed.

**Forested land cover** – Runoff from the developed site will be controlled and released at a rate that matches the flow duration for a forested (“historical”) land cover. The “historical” land cover is the default standard required by the technical requirements of the NPDES permit. The standard is applicable to those areas draining to streams that have erodible channels where runoff from urban areas has the potential to destabilize the channel.

**Existing land cover** – Runoff from the developed site will be controlled and released at a rate that matches the flow duration for the site conditions existing before the development. These are areas that have been developed for years and drain to stream channels that have become stabilized to a new hydrologic regime. Ecology has proposed that the existing land cover can be used in basins that have had at least 40% total impervious surface area for the 20 years preceding Ecology’s adoption of the 2005 Stormwater Management Manual for Western Washington (called the 40/20 rule) and the stream channels receiving the runoff are considered stable from the standpoint of excessive erosion or sedimentation. In developing the “40/20 rule” for highly urbanized basins, Ecology conducted a preliminary analysis and produced maps that identify those areas that may meet the criteria. Portions of Renton were included in the initial maps prepared by Ecology. These maps have been adjusted to better represent the areas that were 40% impervious in 1985 as well as drainage basin divides within the City.

Flow control facilities designed to the “40/20 rule” will only have to mitigate for the added impervious surface. As a result, these flow control facilities will be smaller than those required to be designed to match runoff from a fully forested site.

### Minimum Required Performance

Facilities in **Flow Control Duration Standard Areas** must comply with the following flow control performance standard and assumptions unless modified by offsite analysis per Core Requirement #2 (see Table 1.2.3.A):

**Flow Control Duration Standard Matching Forested Site Conditions:** Developed discharge durations shall not exceed predeveloped durations for the range of predeveloped discharge rates from 50% of the 2-year peak flow up to the full 50-year peak flow. Developed peak discharge rates shall not exceed predeveloped peak discharge rates for the 2- and 10-year return periods. Assume *forested (historical) site conditions* as the predeveloped condition.

**Flow Control Duration Standard Matching Existing Site Conditions:** **Developed discharge durations shall not exceed predeveloped durations for the range of predeveloped discharge rates from 50% of the 2-year peak flow up to the full 50-year peak flow. Developed peak discharge rates shall not exceed predeveloped peak discharge rates for the 2- and 10-year return periods.** Assume *existing site conditions* as the predeveloped condition.

### Intent

The **Flow Control Duration Standard** flow control standard assuming *historical site conditions* is intended to limit the amount of time that erosive flows are at work generating erosion and sedimentation within natural and constructed drainage systems. Such control is effective in preventing development-induced increases in natural erosion rates and reducing existing erosion rates where they may have been increased by past development of the *site*. This is accomplished by maintaining at historical predevelopment levels the aggregate time that developed flows exceed an erosion-causing threshold (i.e.,

50% of the historical 2-year peak flow). Maintaining natural erosion rates within streams and their tributary areas is important for preventing increases in stream channel erosion and sediment loading that are detrimental to salmonid habitat and production.

### Effectiveness in Addressing Downstream Drainage Problems

While the **Flow Control Duration Standard** flow control standard assuming *historical site conditions* provides a reasonable level of protection for preventing most development-induced problems, it does not necessarily prevent increases in *existing site conditions* 100-year peak flows that can aggravate *severe flooding problems* as described in Core Requirement #2, nor does it necessarily prevent aggravation of all *severe erosion problems*. Consequently, if one or more of these problems are identified through offsite analysis per Core Requirement #2, additional onsite flow control and/or offsite improvements will likely be required (see “Drainage Problem-Specific Mitigation Requirements” in Section 1.2.2.2).

### Target Surfaces

Facilities in **Flow Control Duration Standard Areas**<sup>25</sup> must mitigate (either directly or in effect) the runoff from the following target developed surfaces within the *threshold discharge area* for which the facility is required:

1. **New impervious surface** that is **not fully dispersed** per the criteria on Section 1.2.3.2.C as specified in Appendix C. For individual lots within residential subdivision projects, the extent of **new impervious surface** shall be assumed as specified in Chapter 3. *Note, any new impervious surface such as a bridge or boardwalk that spans the ordinary high water of a stream, pond, or lake may be excluded as a target surface if the runoff from such span is conveyed to the ordinary high water area in accordance with Criteria (b), (c), (d), and (e) of the “Direct Discharge Exemption“ (p 1-39).*
2. **New pervious surface** that is **not fully dispersed** as specified in Appendix C. For individual lots within residential subdivision projects, the extent of **new pervious surface** shall be assumed to be the entire lot area, except the assumed impervious portion and any portion in which native conditions are preserved by covenant, tract, or easement. In addition, the **new pervious surface** on individual lots shall be assumed to be 100% grass.
3. **Replaced impervious surface** that is **not fully dispersed** as specified in Appendix C on a non-redevelopment project in which the total of new plus replaced impervious surface is 5,000 square feet or more, OR new pervious surface is  $\frac{3}{4}$  acre or more.
4. **Replaced impervious surface** that is **not fully dispersed** on a **transportation redevelopment project** in which **new impervious surface** is 5,000 square feet or more and totals 50% or more of the existing impervious surface within the project limits.
5. **Replaced impervious surface** that is **not fully dispersed** as specified in Appendix C, on a **parcel redevelopment project** in which the total of new plus **replaced impervious surface** is 5,000 square feet or more and whose valuation of proposed improvements (including interior improvements and excluding required mitigation improvements) exceeds 50% of the assessed value of the existing *site* improvements.

### Exceptions

The following exceptions apply only in **Flow Control Duration Standard Areas**:

1. The *historical site conditions* exception does not apply to the City.
2. The facility requirement in **Flow Control Duration Standard Matching Existing Site Conditions Areas** is waived for any *threshold discharge area* in which there is **no more than a 0.15-cfs difference** (when modeled using 15 minute time steps) in the sum of developed 100-year peak flows for those target surfaces subject to this requirement and the sum of *historical site conditions* 100-year

<sup>25</sup> Note: Any *threshold discharge area* that appears to be located within a Flow Control Duration Standard Area according to the Flow Control Applications Map but drains entirely by non-erodible manmade conveyance to a **major receiving water** (listed on page 1-51) is considered to be located within a Peak Rate Flow Control Standard Area.

peak flows (modeled using same time step unit (e.g., 15 minute) used to calculate the developed flow) for the same surface areas.

*Note: for the purposes of this calculation, target surfaces served by on-site BMPs per Appendix C may be modeled in accordance with the on-site BMP sizing credits in Core Requirement #9, Table 1.2.9.A.*

3. The facility requirement in **Flow Control Duration Standard Matching Forested Site Conditions Areas** is waived for any **threshold discharge area** in which there is **no more than a 0.15-cfs difference** (when modeled using 15 minute time steps) in the sum of developed 100-year peak flows for those target surfaces subject to this requirement and the sum of **forested (historical) site conditions** 100-year peak flows (modeled using same time step unit (e.g., 15 minute) used to calculate the developed flow) for the same surface areas. *Note: for the purposes of this calculation, target surfaces served by on-site BMPs per Appendix C may be modeled in accordance with the on-site BMP sizing credits in Core Requirement #9, Table 1.2.9.A.*
4. The facility requirement in **Flow Control Duration Standard Areas** may be reduced or waived for any **threshold discharge area** where a **plan or study** approved by the City and Ecology shows that a lower standard (e.g., **Peak Rate Control Standard** or targeting existing site conditions instead of forested conditions) is sufficient or no facility is necessary to protect or allow for restoration of water body beneficial uses and habitat functions essential to salmonids.
5. The **regional facilities** plan exception does not apply to the City.
6. The facility requirement in **Flow Control Duration Standard Areas** as applied to **replaced impervious surface** may be reduced by the CED Manager/designee using the adjustment process detailed in Sections 1.4.3 and 1.4.4 of the adjustment process, if the **cost of flow control facilities** to mitigate all target surfaces exceeds that necessary to mitigate only for **new impervious surface** plus **new pervious surface** and also exceeds  $\frac{1}{3}$  of the valuation of proposed improvements (including interior improvements) or twice the cost of a facility to mitigate equivalent surfaces on a new **development site**, whichever is less. The amount of reduction shall be limited such that the **cost of flow control facilities** is at least equal to that necessary to mitigate only for **new impervious surface** plus **new pervious surface**, and beyond this amount, is no greater than  $\frac{1}{3}$  of the valuation of proposed improvements (including interior improvements) or twice the cost of a facility to mitigate equivalent surfaces on a new **development site**, whichever is less.

## C. FLOOD PROBLEM FLOW CONTROL STANDARD AREAS

**Flood Problem Flow Control Standard Areas** are designated by the City of Renton where the City has determined that a higher average level of flow control is needed to prevent aggravation of existing documented flooding problems. At this time, the City has not mapped specific areas, but may apply this standard when a project discharges to a severe flooding or erosion problem.

Within **Flood Problem Flow Control Standard Areas**, or where required by the City to protect aggravation of a downstream problem, required flow control facilities must comply with the following minimum requirements for facility performance and mitigation of targeted surfaces, except where such requirements or the facility requirement itself is waived or reduced by the area-specific exceptions at the end of this subsection.

### Minimum Required Performance

Facilities in **Flood Problem Flow Control Standard Areas** must comply with the following flow control performance standard and assumptions unless modified by offsite analysis per Core Requirement #2 (see Table 1.2.3.A):

**Flood Problem Flow Control Standard:** Apply the **Flow Control Duration Standard**, AND match the developed 100-year peak discharge rate to the predeveloped 100-year peak discharge rate. If the **Flood Problem Flow Control Area** is located within a **Flow Control Duration Standard Area** and does not drain entirely by non-erodible manmade conveyance to a **major receiving water** (see Table 1.2.3.B), then **historical site conditions** shall be assumed as the predeveloped condition except

for the purposes of matching 100-year peak discharge rates. For all other situations and for the purposes of matching 100-year peak discharge rates, *existing site conditions* may be assumed.

### **Intent**

The **Flood Problem Flow Control Standard** is intended to prevent significant increases in existing water surface levels for 2-year through 100-year return frequencies. Such increases are expected to occur as the volume of runoff discharging to the water body is increased by upstream development. Because inflow rates to these water bodies are typically much higher than the outflow rates, increased runoff volumes from upstream development are, in effect, stacked on top of existing volumes in the water body, resulting in higher water surface levels. The duration-matching and 100-year peak-matching criteria of the **Flood Problem Flow Control Standard** counteract this stacking effect by slowing the arrival of additional runoff volumes. Because it can prevent significant aggravation of existing flooding, the **Flood Problem Flow Control Standard** is also applicable to other flow control areas where *severe flooding problems* have been identified per Core Requirement #2.

### **Effectiveness in Addressing Downstream Drainage Problems**

If the **Flood Problem Flow Control Standard** is implemented onsite, no additional measures are required to prevent aggravation of the three types of downstream drainage problems described in Core Requirement #2. The one exception is for a wetland or lake that is a closed depression with a *severe flooding problem*, and the proposed project is adding impervious surface area amounting to more than 10% of the 100-year water surface area of the closed depression. In this case, additional onsite flow control or offsite improvements may be necessary as determined by a “point of compliance analysis” (see “Special Provision for Closed Depressions” in Table 1.2.3.A, and see Section 3.3.6, “Point of Compliance Analysis”).

### **Target Surfaces**

Facilities in **Flood Problem Flow Control Standard Areas** must mitigate (either directly or in effect) the runoff from the following target developed surfaces within the *threshold discharge area* for which the facility is required:

1. If the **Flood Problem Flow Control Standard Area** is located within a **Flow Control Duration Standard Area**, then the target surfaces are the same as those required for facilities in Conservation Flow Control Areas (see Section 1.2.3.1.B) unless otherwise allowed by the area-specific exceptions for Conservation Flow Control Areas. *Note: Any Flood Problem Flow Control Standard Area that appears to be located within a Flow Control Duration Standard Area identified on the Flow Control Applications Map, but drains entirely by non-erodible manmade conveyance to a major receiving water (see Table 1.2.3.B), is considered to be located within a Peak Rate Flow Control Standard Area.*
2. If the **Flood Problem Flow Control Standard Area** is located within a **Peak Rate Flow Control Standard Area** or drains entirely by non-erodible manmade conveyance to a *major receiving water*, then the target surfaces are the same as those required for facilities in Peak Rate Flow Control Standard Areas (see Section 1.2.3.1.A).

### **Exceptions**

The following exceptions apply only in **Flood Problem Flow Control Standard Areas**:

1. If the Flood Problem Flow Control Standard Area is located within a Flow Control Duration Standard Matching Existing Site Conditions Area or Peak Rate Flow Control Area, then the facility requirement is waived for any *threshold discharge area* in which there is no more than a 0.15-cfs difference (when modeled using 15 minute time steps) in the sum of developed 100-year peak flows for the target surfaces subject to this requirement and the sum of *historical site conditions* 100-year peak flows (modeled using same time step unit (e.g., 15 minute) used to calculate the developed flow) for the same surface areas. Agricultural zoned projects in current agricultural use may use *existing site conditions* as the predeveloped condition for purposes of this exception calculation.

*Note: for the purposes of this calculation, target surfaces served by on-site BMPs per Appendix C may be modeled in accordance with the on-site BMP sizing credits in Core Requirement #9, Table 1.2.9.A. Also, any Flood Problem Flow Control Standard Area that appears to be located within a Flow Control Duration Standard Area identified on the Flow Control Applications Map, but drains entirely by non-erodible manmade conveyance to a **major receiving water** (see Table 1.2.3.B), is considered to be located within a Peak Rate Flow Control Standard Area.*

2. If the **Flood Problem Flow Control Standard Area** is located within a **Peak Rate Flow Control Standard Area**, then the facility requirement is waived for any **threshold discharge area** in which the target surfaces subject to this requirement will generate **no more than a 0.15-cfs increase** (when modeled using 15-minute time steps) in the **existing site conditions** 100-year peak flow (modeled using same time step unit (e.g., 15-minute) used to calculate the developed flow).

*Note: for the purposes of this calculation, target surfaces served by on-site BMPs per Appendix C may be modeled in accordance with the on-site BMP sizing credits in Core Requirement #9, Table 1.2.9.A.*

3. Any required application of the **Flood Problem Flow Control Standard Areas** facility requirement to **replaced impervious surface** may be waived if the City has adopted a plan and implementation schedule approved by the state Department of Ecology for fulfilling this requirement with regional facilities.
4. Any required application of the **Flood Problem Flow Control Standard Areas** facility requirement to **replaced impervious surface** may be reduced by CED using the procedures detailed in Sections 1.4.3 and 1.4.4 of the adjustment process, if the **cost of flow control facilities** to mitigate all target surfaces exceeds that necessary to mitigate only for **new impervious surface plus new pervious surface** and also exceeds  $\frac{1}{3}$  of the valuation of proposed improvements (including interior improvements) or twice the cost of a facility to mitigate the same surfaces on a new **development site**, whichever is less. The amount of reduction allowed by this exception shall be limited such that the **cost of flow control facilities** is at least equal to that necessary to mitigate only for **new impervious surface plus new pervious surface**, and beyond this amount, is no greater than  $\frac{1}{3}$  of the valuation of proposed improvements (including interior improvements) or twice the cost of a facility to mitigate equivalent surfaces on a new **development site**, whichever is less.
5. Any required application of the **Flood Problem Flow Control Standard Areas** facility requirement to **replaced impervious surface** may assume **existing site conditions** as the predeveloped condition for the purposes of matching the developed 100-year peak discharge rate to the predeveloped 100-year peak discharge rate.

### 1.2.3.2 FLOW CONTROL FACILITY IMPLEMENTATION REQUIREMENTS

Flow control facilities shall be designed and implemented in accordance with the following requirements, allowances, and flexible compliance provisions:

#### A. ONSITE VS. OFFSITE IMPLEMENTATION

All required flow control facilities must be implemented onsite except where the requirements below can be met by direct discharge to a regional or shared facility constructed to provide flow control for the proposed project. Regional facilities are typically constructed as part of a City-approved plan or study (e.g., basin plan, stormwater compliance plan, or master drainage plan). Shared facilities may be constructed under a City-developed shared facility drainage plan or under an agreement between two or more private developers.

1. The regional or shared facility must be of adequate size and design to meet the **current** flow control requirements for the proposed project. *Note: the current flow control requirements are those specified by Core Requirement #3 of this manual unless superseded by other adopted area-specific flow control requirements per Special Requirement #1 (see Section 1.3.1).* In some cases where the current flow control requirements differ from those used to originally design the regional or shared facility, additional analysis and possible retrofitting of the facility may be required to ensure adequate size and

design. In other cases where the current flow control requirements are not significantly different or are less stringent, adequate size and design may already be documented by an adopted City basin plan or master drainage plan, an approved shared facility drainage plan, or a detailed drainage analysis approved by the City for a separate permitted development.

2. The regional or shared facility must be fully operational at the time of construction of the proposed project. In the case of a shared facility, the proposed project must comply with the terms and conditions of all contracts, agreements, and permits associated with the shared facility. If the offsite facility is an existing City-owned facility, the City may charge a special use fee equal to or based on the property value of the detention capacity being used.
3. The conveyance system between the *project site* and the regional facility must meet the same criteria specified for direct discharge to a *major receiving water* except for Criterion (a) (see “Direct Discharge Exemption” in Section 1.2.3.1). In the case of a shared facility, the criteria are the same, except the conveyance system need only have adequate capacity and erosion protection for buildout of the *participating portion*<sup>26</sup> of the contributing drainage area.

## B. METHODS OF ANALYSIS AND DESIGN

Flow control facilities must be analyzed and designed using a continuous flow simulation method such as HSPF (Hydrologic Simulation Program FORTRAN) or the simplified HSPF-based runoff files method. An overview of the runoff files method is found in Chapter 3. Specifications for use of the approved modeling software is provided in the software documentation and augmented with limited SWDM-specific guidance in Reference Section 6-D. Detailed design specifications for flow control facilities are found in Chapter 5.

## C. SIZING CREDITS FOR FULLY DISPERSED SURFACES

A *fully dispersed* surface (either impervious or nonnative pervious) is one that conforms to the BMP strategy for “full dispersion” detailed in Appendix C, Section C.2.1. This strategy calls for minimizing the area of onsite developed surface relative to *native vegetated surface*, together with the application of dispersion techniques that utilize the natural retention/detention capacity of the *native vegetated surface* to mitigate the runoff effects of the developed surfaces. Developed surfaces conforming to this strategy are considered to have a negligible impact downstream, and therefore, may be modeled as forest and are not subject to the area-specific flow control facility requirement (Section 1.2.3.1) or the area-specific water quality facility requirement (Section 1.2.8.1). In order for developed surfaces to qualify as *fully dispersed*, they must meet the basic criteria listed below and further detailed in Appendix C, Section C.2.1.

### Criteria for Fully Dispersed Surfaces

1. The **total area of impervious surface** being *fully dispersed* must be no more than 15% of the total area of *native vegetated surface* being preserved by a clearing limit by a City-approved recorded tract, easement, or covenant within the same *threshold discharge area*. The total area of impervious surface plus *nonnative pervious surface*<sup>27</sup> being *fully dispersed* must be no more than 35% of a *threshold discharge area*.
2. The runoff from a *fully dispersed* surface must be discharged using one of the following **dispersion devices** in accordance with the design specifications and maximum area of *fully dispersed* surface for each device set forth in Appendix C, Section C.2.1:
  - a) **Splash blocks**
  - b) **Rock pads**
  - c) **Gravel filled trenches**
  - d) **Sheet flow**

*Note: The dispersion device must be situated so as to discharge within the same **threshold discharge area** of the surface it serves.*

<sup>26</sup> The *participating portion* includes those properties that have agreements for use of the shared facility.

<sup>27</sup> *Nonnative pervious surface* means a pervious surface that does not meet the definition of a *native vegetated surface*.



3. A **native vegetated flowpath segment** of at least 100 feet in length (25 feet for sheet flow from a nonnative pervious surface) must be available along the flowpath that runoff would follow upon discharge from a dispersion device listed in Minimum Requirement 2 above. The native vegetated flowpath segment **must meet all of the following criteria**:
  - a) The flowpath segment must be over *native vegetated surface*.
  - b) The flowpath segment must be **onsite or an offsite tract or easement area** reserved for such dispersion.
  - c) The average **slope** of the flowpath segment must be **no steeper than 15%** for any 20-foot reach of the flowpath segment.
  - d) The flowpath segment must be located **between the dispersion device and any downstream drainage feature** such as a pipe, ditch, stream, river, pond, lake, or wetland.
  - e) The flowpath segments for adjacent dispersion devices must comply with the **minimum spacing requirements** in Appendix C, Section C.2.1. These requirements do not allow overlap of flowpath segments, except in the case where **sheet flow from a nonnative pervious surface** overlaps with the flowpath of any dispersion device listed in Minimum Requirement 2 above. In this case, the longer of the two overlapping flowpath segments must be extended at least 1 foot for every 3 feet of distance along the most representative path that runoff would travel from the upstream end to the discharge end of the nonnative pervious surface.
4. On **sites with septic systems**, the discharge of runoff from dispersion devices must not be upgradient of the drainfield. This requirement may be waived by CED if *site* topography clearly prohibits flows from intersecting the drainfield.
5. The dispersion of runoff must not create **flooding or erosion impacts** as determined by CED. If runoff is proposed to be discharged toward a **landslide hazard, erosion hazard area, or steep slope hazard area** (i.e., slopes steeper than 20%), CED may require the applicant to have the proposal evaluated by a geotechnical engineer, engineering geologist, or CED.

#### D. SIZING CREDITS FOR USE OF ON-SITE BMPS

Projects that implement on-site BMPs as detailed in Core Requirement #9 and Appendix C, whether required or optional, may use the on-site BMP sizing credits as described and allowed in Section 1.2.9.4 and Table 1.2.9.A.

#### E. MITIGATION OF TARGET SURFACES THAT BYPASS FACILITY

On some *sites*, topography may make it difficult or costly to collect all target surface runoff for discharge to the onsite flow control facility. Therefore, some project runoff subject to flow control may bypass required onsite flow control facilities provided that all of the following conditions are met:

1. The **point of convergence** for runoff discharged from the bypassed target surfaces and from the project's flow control facility must be within a **quarter-mile downstream**<sup>28</sup> of the facility's *project site* discharge point, AND
2. The increase in the *existing site conditions* **100-year peak discharge** from the area of bypassed target surfaces must not exceed 0.4 cfs, AND
3. Runoff from the bypassed target surfaces **must not create a significant adverse impact** to downstream drainage systems, salmonid habitat, or properties as determined by CED, AND
4. **Water quality requirements** applicable to the bypassed target surfaces must be met, AND

<sup>28</sup> Note: CED may allow this distance to be extended beyond a half mile to the point where the *project site* area constitutes less than 15% of the tributary area.

5. **Compensatory mitigation by a flow control facility** must be provided so that the net effect at the point of convergence downstream is the same with or without the bypass. This mitigation may be waived if the *existing site conditions* 100-year peak discharge from the area of bypassed target surfaces is increased by no more than 0.15 cfs (modeled using 15 minute time steps) and on-site BMPs as detailed in Appendix C are applied to all impervious surfaces within the area of bypassed target surfaces. One or combination of the following methods may be used to provide compensatory mitigation by a flow control facility subject to permission/approvals from other parties as deemed necessary by CED:
- a) Design the project's flow control facility or retrofit an existing offsite flow control facility as needed to achieve the desired effect at the point of convergence, OR
  - b) Design the project's flow control facility or provide/retrofit an offsite flow control facility to mitigate an existing developed area (either onsite or offsite) that has runoff characteristics (i.e., peak flow and volume) equivalent to those of the bypassed target surfaces but is currently not mitigated or required to be mitigated to the same flow control performance requirement as the bypassed target surfaces. Consideration of an offsite area to be mitigated for must take into account the likelihood of that area redeveloping in the future. Those areas determined by the City to have a high likelihood of future redevelopment that will provide its own mitigation may not be used as compensatory mitigation.

#### F. BYPASS OF RUNOFF FROM NON-TARGET SURFACES

The performance of flow control facilities can be compromised if the contributing area, beyond that which must be mitigated by the facility, is too large. Therefore, IF the existing 100-year peak flow rate from any upstream area (not targeted for mitigation) is greater than 50% of the 100-year developed peak flow rate (undetained) for the area that must be mitigated, THEN the runoff from the upstream area must bypass the facility. Offsite areas that naturally drain onto the project site must be intercepted at the natural drainage course within the project site and conveyed in a separate conveyance system and must bypass onsite stormwater facilities. The bypass of upstream runoff must be designed so that all of the following conditions are met:

1. Any existing contribution of flows to an **onsite wetland** must be maintained, AND
2. Upstream flows that are **naturally attenuated** by natural detention on the *project site* under predeveloped conditions must remain attenuated, either by natural means or by providing additional onsite detention so that peak flows do not increase, AND
3. Upstream flows that are **dispersed or unconcentrated** on the *project site* under predeveloped conditions must be discharged in a safe manner as described in Core Requirement #1 under "Discharge Requirements".
4. Bypasses shall be designed in accordance with standards of Core Requirement #4, Conveyance System

#### G. MITIGATION TRADES

A project's flow control facility may be designed to mitigate an existing developed non-target surface area (either onsite or offsite) in trade for not mitigating part or all of the project's target surface area, provided that all of the following conditions are met:

1. The **existing developed non-target surface area** (i.e., an area of existing impervious surface and/or nonnative pervious surface) must have runoff discharge characteristics (i.e., peak flow and volume) equivalent to those of the target surface area for which mitigation is being traded and must not be currently mitigated to the same flow control performance requirement as the target surface area, AND
2. Runoff from both the target surface area being traded and the flow control facility **must converge prior to discharge** of the runoff from the target surface area being traded onto private property without an easement or through any area subject to erosion, AND

3. The **net effect** in terms of flow control at the point of convergence downstream must be the same with or without the mitigation trade, AND
4. The undetained runoff from the target surface area being traded **must not create a significant adverse impact** to downstream drainage systems, salmonid habitat, or properties prior to convergence with runoff from the flow control facility.
5. Consideration of an offsite area to be mitigated for must take into account the likelihood of that area redeveloping in the future. Those areas determined by the City to have a high likelihood of future redevelopment that will provide its own mitigation may not be used as a mitigation trade.
6. Mitigation trade proposals must be reviewed and approved with input from the City of Renton.

## H. MANIFOLD DETENTION FACILITIES

A *manifold detention facility* is a single detention facility designed to take the place of two or more otherwise required detention facilities. It combines the runoff from two or more onsite drainage areas having separate *natural discharge locations*, and redistributes the runoff back to the *natural discharge locations* following detention. Because manifold detention facilities divert flows from one *natural discharge location* to another and then back, they are not allowed except by an approved adjustment (see Section 1.4).

## I. FACILITY REQUIREMENT IN LANDSLIDE HAZARD DRAINAGE AREAS

Proposed projects subject to Discharge Requirement 2 in Core Requirement #1 must provide a tightline system unless the 100-year runoff from the *project site* can be feasibly infiltrated or one of the other exceptions listed in Section 1.1.2.2. For infiltration to be used as an alternative to the tightline requirement, it must be feasible per the facility design requirements and limitations specified in Section 5.2. When evaluating the feasibility of infiltration, multiple facility locations scattered throughout the *project site* shall be considered and used where feasible and practical to avoid concentrating infiltrated water in one location. If multiple facilities are not feasible or practical, then a single infiltration facility meeting the minimum setback requirements in Section 5.2 may be used where feasible.

Where infiltration is not feasible, it is still possible for a proposed project to qualify for one of the other exceptions to the tightline requirement specified in Core Requirement #1. If such a project is subject to the flow control facility requirement in Core Requirement #3, the required facility must be a **detention pond** sized to meet, at minimum, the **Flow Control Duration Standard Matching Forested site conditions** flow control facility standard with a safety factor of 20% applied to the storage volume. The detention pond must be sited and designed so as to maximize the opportunity for infiltration in the pond. To accomplish this, all of the following design requirements must be met:

1. The detention pond must be preceded by either a water quality treatment facility per Core Requirement #8 or a presettling basin per Section 5.2, AND
2. All detention pond side slopes must be 3H:1V or flatter and must be earthen, AND
3. Detention pond liners that impede infiltration shall not be used, AND
4. The pond bottom shall be at or above the seasonal high groundwater table, AND
5. The detention pond outflow must meet the discharge dispersal requirements specified in Discharge Requirement 1 of Core Requirement #1.<sup>29</sup>

<sup>29</sup> Footnote 29 is not used.

## 1.2.4 CORE REQUIREMENT #4: CONVEYANCE SYSTEM

All engineered conveyance system elements for proposed projects must be analyzed, designed, and constructed to provide a minimum level of protection against overtopping, flooding, erosion, and structural failure as specified in the following groups of requirements:

- “Conveyance Requirements for New Systems,” Section 1.2.4.1
- “Conveyance Requirements for Existing Systems,” Section 1.2.4.2
- “Conveyance System Implementation Requirements,” Section 1.2.4.3

Intent: To ensure proper design and construction of engineered conveyance system elements. Conveyance systems are natural and engineered drainage facilities that provide for the collection and transport of surface water or stormwater runoff. This core requirement applies to the engineered elements of conveyance systems (primarily pipes, culverts, and ditches/channels).

### 1.2.4.1 CONVEYANCE REQUIREMENTS FOR NEW SYSTEMS

All *new conveyance system elements*,<sup>30</sup> both onsite and offsite, shall be analyzed, designed, and constructed according to the following requirements. Also see Section 4.1 for route design and easement requirements.

#### Pipe Systems

1. New pipe systems shall be designed with sufficient capacity to convey and contain (at minimum) the 25-year peak flow, assuming developed conditions for onsite tributary areas and existing conditions for any offsite tributary areas.
2. Pipe system structures may overtop for runoff events that exceed the 25-year design capacity, provided the overflow from a 100-year runoff event does not create or aggravate a ***severe flooding problem*** or ***severe erosion problem*** as described in Core Requirement #2, Section 1.2.2. Any overflow occurring onsite for runoff events up to and including the 100-year event must discharge at the natural location for the ***project site***. In residential subdivisions, this overflow must be contained within an onsite drainage easement, tract, covenant, or public right-of-way.
3. The upstream end of a pipe system that receives runoff from an open drainage feature (pond, ditch, etc.) shall be analyzed and sized as a culvert as described below.

#### Culverts

1. New culverts shall be designed with sufficient capacity to meet the headwater requirements in Section 4.3.1 and convey (at minimum) the 25-year peak flow, assuming developed conditions for onsite tributary areas and existing conditions for any offsite tributary areas.
2. New culverts must also convey as much of the 100-year peak flow as is necessary to preclude creating or aggravating a ***severe flooding problem*** or ***severe erosion problem*** as described in Core Requirement #2, Section 1.2.2. Any overflow occurring onsite for runoff events up to and including the 100-year event must discharge at the natural location for the ***project site***. In residential subdivisions, this overflow must be contained within an onsite drainage easement, tract, covenant, or public right-of-way.
3. New culverts proposed in streams with salmonids shall be designed to provide for fish passage as detailed in Section 4.3.2. *Note: The City’s critical areas regulations (RMC 4-3-050) or the state Department of Fish and Wildlife may require a bridge to facilitate fish passage.*

<sup>30</sup> *New conveyance system elements* are those that are proposed to be constructed where there are no existing constructed conveyance elements.

### Ditches/Channels

1. New ditches/channels shall be designed with sufficient capacity to convey and contain, at minimum, the 25-year peak flow, assuming developed conditions for onsite tributary areas and existing conditions for any offsite tributary areas.
2. New ditches/channels must also convey as much of the 100-year peak flow as is necessary to preclude creating or aggravating a *severe flooding problem* or *severe erosion problem* as described in Core Requirement #2, Section 1.2.2. Any overflow occurring onsite for runoff events up to and including the 100-year event must discharge at the natural location for the *project site*. In residential subdivisions, such overflow must be contained within an onsite drainage easement, tract, covenant, or public right-of-way.
3. In both conditions listed above, ditches must be designed with a 6-inch minimum freeboard.

### Tightline Systems Traversing Steep Slopes

New tightline conveyance systems traversing slopes that are steeper than 15% and greater than 20 feet in height, or are within a *steep slope hazard area* as defined in RMC 4-3-050, shall be designed with sufficient capacity to convey and contain (at minimum) the 100-year peak flow, assuming *full build-out conditions*<sup>31</sup> for all tributary areas, both onsite and offsite. Tightline systems shall be designed as detailed in Section 4.2.2.

### Bridges

New bridges shall be designed to accommodate the 100-year peak flow as specified in Section 4.3.3 and in accordance with the floodplain development standards in RMC 4-3-050.

## 1.2.4.2 CONVEYANCE REQUIREMENTS FOR EXISTING SYSTEMS

The following conveyance requirements for existing systems are less rigorous than those for new systems to allow some salvaging of existing systems that are in useable condition. Existing systems may be utilized if they are capable of providing a minimum level of protection as-is or with minor modifications.

### Existing Onsite Conveyance Systems

**No Change in Flow Characteristics:** Existing onsite conveyance systems that will not experience a change in flow characteristics (e.g., peak flows or volume of flows) as a result of the proposed project need not be analyzed for conveyance capacity.

**Change in Flow Characteristics:** Existing onsite conveyance systems that will experience a change in flow characteristics as a result of the proposed project must comply with the following conveyance requirements:

1. The existing system must be analyzed and shown to have sufficient capacity to convey and contain (at minimum) the 25-year peak flow assuming developed conditions for onsite tributary areas and existing conditions for any offsite tributary areas.
2. The applicant must demonstrate that the 100-year peak flow to the existing system will not create or aggravate a *severe flooding problem* or *severe erosion problem* as described in Core Requirement #2, Section 1.2.2.
3. Minor modifications may be made to the conveyance system to achieve the required capacity stated above. Examples of minor modifications include raising a catch-basin rim, replacing or relaying a section of pipe to match the capacity of other pipes in the system, improving a pipe inlet, or enlarging a short, constricted reach of ditch or channel.
4. Modifications to an existing conveyance system or element that acts to attenuate peak flows, due to the presence of detention storage upstream, shall be made in a manner that does not significantly

<sup>31</sup> *Full build-out conditions* means the tributary area is developed to its full zoning potential except where there are existing sensitive areas, open space tracts, and/or native growth protection easements/covenants.

increase peak flows downstream. For example, if water is detained in a pond upstream of a restrictive road culvert, then installing an overflow system for the culvert should prevent overtopping of the road without significantly reducing existing detention storage.

### **Existing Offsite Conveyance Systems**

1. Existing offsite conveyance systems need not be analyzed for conveyance capacity except as required by Core Requirement #2, or if offsite improvements or direct discharge are proposed per Core Requirement #3.
2. Improvements made to existing offsite conveyance systems to address the drainage problem-specific mitigation requirements in Section 1.2.2.2 need only change existing conveyance capacity sufficient to prevent aggravation of the drainage problem(s) being addressed.
3. Existing offsite conveyance systems proposed to be used for direct discharge to a *major receiving water* per Core Requirement #3 shall meet the same conveyance requirements specified in Section 1.2.4.1 for new systems.

### **1.2.4.3 CONVEYANCE SYSTEM IMPLEMENTATION REQUIREMENTS**

Conveyance systems shall be designed and implemented in accordance with the following requirements, allowances, and flexible compliance provisions:

#### **A. METHODS OF ANALYSIS AND DESIGN**

Properly sized conveyance elements provide sufficient hydraulic capacity to convey peak flows of the return frequencies indicated in Sections 1.2.4.1 and 1.2.4.2. Conveyance capacity shall be demonstrated using the methods of analysis detailed in Chapter 4. Design flows for sizing conveyance systems shall be determined using the appropriate runoff computation method specified in Section 3.2.

#### **B. COMPOSITION**

Where feasible, conveyance systems shall be constructed of vegetation-lined channels, as opposed to pipe systems, except in *Zone 1 of the Aquifer Protection Area* where pipe systems are required. Vegetative channels shall generally be considered feasible if all of the following conditions are present:

1. The channel gradient generally does not exceed 5 percent, AND
2. Ditches/roadway section must be approved by the City, AND
3. The channel will be accessible for maintenance (see Section 1.2.6), AND
4. The channel will not be subject to erosion.

Exceptions: The following are exceptions to the requirement for vegetative channels:

- Conveyance systems proposed under roadways, driveways, or parking areas
- Conveyance systems proposed between houses in urban-zoned plats and short plats
- Conveyance systems conveying roof runoff only.
- Conveyance systems in *Zone 1 of the Aquifer Protection Area*.

#### **C. INTERFLOW AND INTERCEPTION**

*Interflow* is near-surface groundwater that moves laterally through the soil horizon following the hydraulic gradient of underlying relatively impermeable soils. When interflow is expressed on the surface, it is termed a *spring* or *seepage*. Any significant springs or seepage areas that impact a roadway or structure proposed by the project must be intercepted and directed into a conveyance system. Where roadways may impede the passage of interflow to downstream wetlands or streams, provision for passage of unconcentrated flows must be made.

## D. PROVISION FOR LOT DRAINAGE WITHIN SUBDIVISIONS

Within *subdivision projects*,<sup>32</sup> provision must be made for the safe conveyance of runoff from the discharge location of each lot to the subdivision's main conveyance system or road drainage system. This may include, but is not limited to, **provisional stub-outs** from an enclosed roadway drainage system to the edge of the road right-of-way at each created lot, or lot-line pipes or ditches that collect lot drainage and convey it to the subdivision's main conveyance system or road drainage system.

## E. OUTFALLS

An *outfall* is defined as a point where collected and concentrated surface and storm water runoff is discharged from a pipe system or culvert.

**Energy Dissipation:** At a minimum, rock erosion protection is required at outfalls from all drainage systems and elements except where CED determines that erosion protection is being provided by other means or is not needed. Details on outfall structures are included in Section 4.2.2.

**New Point Discharges Over Steep Slopes:** Proposed outfalls that will discharge runoff in a location where the natural (existing) discharge is unconcentrated over a slope steeper than 15% and greater than 20 feet in height, or over a ***steep slope hazard area*** (as defined in RMC 4-3-050), must meet the following criteria:

- A tightline conveyance system must be constructed to convey the runoff to the bottom of the slope unless other measures are approved by CED based on an evaluation/report by a licensed geotechnical engineer.
- The geotechnical analysis must consider cumulative impacts from the project and surrounding areas under full built-out conditions.
- Tightline systems must be designed so that existing baseflow conditions are not significantly changed and adequate energy dissipation is provided at the bottom of the slope.
- Where alternative measures (e.g., dispersal trench) to the tightline system are approved upstream of a ***landslide hazard*** or ***steep slope hazard area***, they may be placed no closer than 50 feet from the top of the hazard area slope based on an evaluation/report by a licensed geotechnical engineer.

## F. OUTFALLS TO THE GREEN RIVER

New stormwater outfalls or modifications to existing stormwater outfalls discharging to the Green River between River Mile 6 (South Boeing Access Road) and SR 18 are **allowed only through the adjustment process**. These outfalls must comply with requirements of the *Green River Pump Operations Procedure Plan*, which establishes storage volumes and release rate criteria for developments proposing to ***construct or modify*** outfalls. Copies of the plan are available from DNRP.

## G. SPILL CONTROL

Projects proposing to construct or replace onsite conveyance system elements that receive runoff from non-roof-top ***pollution-generating impervious surface*** must provide a spill control device as detailed in Section 4.2.1.1 prior to discharge from the *site* or into a *natural onsite drainage feature*.<sup>33</sup> More specifically, this requirement applies whenever a proposed project does either of the following:

- Constructs a new onsite conveyance system that receives runoff from non-roof-top ***pollution-generating impervious surface***, OR
- Removes and replaces an existing onsite conveyance system element that receives runoff from 5,000 square feet or more of non-roof-top ***pollution-generating impervious surface*** onsite.

<sup>32</sup> For purposes of this requirement, the term *subdivision project* refers to any project that creates a short plat, plat, or binding site plan.

<sup>33</sup> *Natural onsite drainage feature* means a natural swale, channel, stream, closed depression, wetland, or lake.

The intent of this device is to temporarily detain oil or other floatable pollutants before they enter the downstream drainage system in the event of an accidental spill or illegal dumping. It may consist of a tee section in a manhole or catch basin, or an equivalent alternative as specified in Section 4.2.1.1.

*Note that in addition to this spill control requirement to protect offsite and natural drainage systems, there are other spill control requirements in this manual for discharges to certain water quality facilities and all infiltration facilities (see the design criteria for water quality facilities in Chapter 6 and the general requirements for infiltration facilities in Section 5.2). The application of these requirements must be such that all stated intents are satisfied.*

## H. GROUNDWATER PROTECTION

Any reach of new ditch or channel proposed by a project in which the untreated runoff from 5,000 square feet or more of ***pollution-generating impervious surface*** or  $\frac{3}{4}$  acre or more of pollution-generating pervious surface comes into direct contact with an outwash soil must be **lined** with either:

1. A **low permeability liner** or a **treatment liner** consistent with the specifications for such liners in Section 6.2.4, OR
2. An imported soil **compacted till liner** meeting the following specifications:
  - Liner thickness shall be 18 inches after compaction.
  - Imported soils must meet the gradation listed for compacted till liner in Section 6.2.4.
  - Soil should be placed in 6-inch lifts.
  - Soil shall be compacted to no less than 95% minimum dry density, modified proctor method (ASTM D-1557).

The intent of this requirement is to reduce the likelihood that pollutants will be discharged to groundwater when untreated runoff is conveyed in ditches or channels constructed in soils with high infiltration rates.

## I. PUMP SYSTEMS

Pump systems may be used to convey water from one location or elevation to another within the ***project site*** provided they meet the design criteria specified for such systems in Section 4.2.3 and will be privately owned and maintained.

Pump systems discharging flows from the ***project site*** that would not have discharged by gravity flow under ***existing site conditions*** will require an approved adjustment to Core Requirement #1 (see Section 1.4, "Adjustment Process"). These pump systems will be considered only when there is no other physical gravity alternative and they are necessary to prevent creation or aggravation of a flooding or erosion problem as specified in Section 1.2.2.

## 1.2.5 CORE REQUIREMENT #5: CONSTRUCTION STORMWATER POLLUTION PREVENTION

All proposed projects that will clear, grade, or otherwise disturb the ***site*** must provide erosion and sediment controls to prevent, to the maximum extent practicable, the transport of sediment from the ***project site*** to downstream drainage facilities, water resources, and adjacent properties. All proposed projects that will conduct construction activities onsite or offsite must provide stormwater pollution prevention and spill controls to prevent, reduce, or eliminate the discharge of pollutants to onsite or adjacent stormwater systems or watercourses. To prevent sediment transport and pollutant discharges as well as other impacts related to land-disturbing and construction activities, **Erosion and Sediment Control (ESC)** measures and **Stormwater Pollution Prevention and Spill Control (SWPPS)** measures that are appropriate to the ***project site*** must be applied through a comprehensive **Construction Stormwater Pollution Prevention (CSWPP) plan** as described in Sections 1.2.5.1 and 1.2.5.3 and shall perform as described in Section 1.2.5.2. In addition, these measures, both temporary and permanent, shall be implemented consistent with the requirements in Section 1.2.5.3 that apply to the proposed project.



**Intent:**

- To prevent the transport of sediment and other impacts, like increased runoff, related to land disturbing activities. Erosion of disturbed areas on construction sites can result in excessive sediment transport to adjacent properties and to surface waters. This sediment can result in major adverse impacts, such as flooding from obstructed drainage ways, smothering of salmonid spawning beds, algal blooms in lakes, and exceedances of state water quality standards for turbidity. These impacts can also result from the increased runoff generated by land disturbing activities on construction sites.
- To prevent, reduce, or eliminate the discharge of pollutants to onsite or adjacent stormwater systems or watercourses from construction-related activities such as materials delivery and storage, onsite equipment fueling and maintenance, demolition of existing buildings and disposition of demolition materials and other waste, and concrete handling, washout and disposal.

**1.2.5.1 CSWPP MEASURES**

**Construction Stormwater Pollution Prevention (CSWPP)** measures include **Erosion and Sediment Control (ESC)** measures and **Stormwater Pollution Prevention and Spill (SWPPS)** measures.

**ESC Measures**

Each of the following categories of ESC measures must be considered for application to the *project site* as detailed in the *Erosion and Sediment Control (ESC) Standards* located in the *Construction Stormwater Pollution Prevention Standards* adopted as Appendix D of this manual:

1. Clearing Limits
2. Cover Measures
3. Perimeter Protection
4. Traffic Area Stabilization
5. Sediment Retention
6. Surface Water Collection
7. Dewatering Control
8. Dust Control
9. Flow Control
10. Control Pollutants (also see SWPPS Measures below)
11. Protect Existing and Proposed Stormwater Facilities and On-site BMPs
12. Maintain Protective BMPs
13. Manage the Project

**SWPPS Measures**

Each of the following categories of SWPPS measures must be considered for application to the *project site* as detailed in the *Stormwater Pollution Prevention and Spill Control (SWPPS) Standards* located in the *CSWPP Standards* adopted as Appendix D of this manual:

- Follow effective pollutant handling and disposal procedures.
- Provide cover and containment for materials, fuel and other pollutants.
- Manage the project site to maximize pollutant control and minimize pollutant sources.
- Protect from spills and drips of petroleum products and other pollutants.
- Avoid overapplication or untimely application of chemicals and fertilizers.
- Prevent or treat contamination of stormwater runoff by pH modifying sources.

### 1.2.5.2 CSWPP PERFORMANCE AND COMPLIANCE PROVISIONS

The changing conditions typical of construction sites call for frequent field adjustments of existing ESC and SWPPS measures or additional ESC and SWPPS measures in order to meet required performance. In some cases, strict adherence to specified measures may not be necessary or practicable based on *site* conditions or project type. In other cases, immediate action may be needed to avoid severe impacts. Therefore, careful attention must be paid to ESC and SWPPS performance and compliance in accordance with the following provisions:

#### A. CSWPP SUPERVISOR

For projects in Targeted, Full or Large Project Drainage Review, or projects in Directed Drainage Review as determined by the CED permit reviewer, the **applicant must designate a CSWPP supervisor** who shall be responsible for the performance, maintenance, and review of ESC and SWPPS measures and for compliance with all permit conditions relating to CSWPP as described in the *CSWPP Standards*. The applicant's selection of a CSWPP supervisor must be approved by the City. This approval may be rescinded for non-compliance, requiring the applicant to select another CSWPP supervisor and obtain City approval prior to continuing work on the project site. For projects that disturb one acre or more of land, the CSWPP supervisor must be a **Certified Professional in Erosion and Sediment Control** (see [www.cpesec.net](http://www.cpesec.net) for more information) or a **Certified Erosion and Sediment Control Lead** whose certification is recognized by the Department of Ecology or King County.<sup>34</sup> The City may also require a certified ESC professional for sites smaller than one acre of disturbance if CED determines that onsite ESC measures are inadequately installed, located, or maintained.

For larger, more sensitive sites, the City may require a certified ESC professional with several years of experience in construction supervision/inspection and a background in geology, soil science, or agronomy (See Appendix D, Section D.2.3.1 for more information).

#### B. MONITORING OF DISCHARGES

The CSWPP supervisor shall have a turbidity meter onsite and shall use it to monitor surface and storm water discharges from the *project site* and into onsite wetlands, streams, or lakes whenever runoff occurs from onsite activities and during storm events. If the *project site* is subject to a NPDES general permit for construction issued by the Washington State Department of Ecology (*Ecology*), then the project must comply with the monitoring requirements of that permit.

The CSWPP supervisor shall also use the specific SWPPS control BMP procedures for monitoring surface and stormwater discharge for pollutants and acceptable discharge levels. The CSWPP supervisor shall keep logs as required by the procedures of all measurements taken onsite and make them available to CED on request.

#### C. ESC PERFORMANCE

ESC measures shall be applied/installed and maintained to prevent, to the maximum extent practicable, the transport of sediment from the *project site* to downstream drainage systems or surface waters or into onsite wetlands, streams, or lakes or onto adjacent properties. This performance is intended to be achieved through proper selection, installation, and operation of the above ESC measures as detailed in the *CSWPP Standards* (Appendix D) and approved by the City. However, the CSWPP supervisor or the City may determine at any time during construction that the approved measures are not sufficient and that additional action is required based on one of the following criteria:

1. If a turbidity test of surface and storm water discharges leaving the *project site* is greater than the benchmark value of 25 NTU (nephelometric turbidity units) set by the Washington State Department of Ecology, but less than 250 NTU, the CSWPP Supervisor shall do all of the following:

<sup>34</sup> King County recognition of certification means that the individual has taken a King County-approved third party training program and has passed the King County-approved test for that training program.

- a) Review the ESC plan for compliance and make appropriate revisions within 7 days of the discharge that exceeded the benchmark of 25 NTU, AND
  - b) Fully implement and maintain appropriate ESC measures as soon as possible but no later than 10 days after the discharge that exceeded the benchmark, AND
  - c) Document ESC implementation and maintenance in the *site* log book.
2. If a turbidity test of surface or storm water entering onsite wetlands, streams, or lakes indicates a turbidity level greater than 5 NTU above background when the background turbidity is 50 NTU or less, or 10% above background when the background turbidity is greater than 50 NTU, then corrective actions and/or additional measures beyond those specified in Section 1.2.5.1 shall be implemented as deemed necessary by the City inspector or onsite CSWPP supervisor.
  3. If discharge turbidity is 250 NTU or greater, the CSWPP Supervisor shall do all of the following:
    - a) Notify the City by telephone, AND
    - b) Review the ESC plan for compliance and make appropriate revisions within 7 days of the discharge that exceeded the benchmark of 25 NTU, AND
    - c) Fully implement and maintain appropriate ESC measures as soon as possible but no later than 10 days after the discharge that exceeded the benchmark, AND
    - d) Document ESC implementation and maintenance in the *site* log book. AND
    - e) Continue to sample discharges until turbidity is 25 NTU or lower, or the turbidity is no more than 10% over background turbidity.
  4. If the City determines that the condition of the construction site poses a **hazard to adjacent property** or may **adversely impact drainage facilities or water resources**, THEN additional measures beyond those specified in Section 1.2.5.1 may be required by the City.

#### D. SWPPS PERFORMANCE

SWPPS measures shall be applied/installed and maintained so as to prevent, reduce, or eliminate the discharge of pollutants to onsite or adjacent stormwater systems or watercourses or onto adjacent properties. This performance is intended to be achieved through proper selection, installation, and operation of the above SWPPS measures as detailed in the *CSWPP Standards* (Appendix D) and approved by the City. However, the CSWPP supervisor designated per Section 1.2.5.2.A or the City may determine at any time during construction that such approved measures are not sufficient and additional action is required based on the criteria described in the specific SWPPS BMP standard and/or conditions of an approved adjustment:

#### E. FLEXIBLE COMPLIANCE

Some projects may meet the intent of Core Requirement #5 while varying from specific CSWPP requirements contained here and in the *CSWPP Standards*. If a project is designed and constructed to meet the intent of this core requirement, the City may determine that strict adherence to a specific ESC requirement is unnecessary; an approved adjustment (see Section 1.4) is not required in these circumstances. Certain types of projects are particularly suited to this greater level of flexibility, for instance, projects on relatively flat, well drained soils, projects that are constructed in closed depressions, or projects that only disturb a small percentage of a forested site may meet the intent of this requirement with very few ESC measures. However, SWPPS requirements may actually be emphasized on well-drained soils, particularly in groundwater or well-protection protection areas, or in close proximity to water bodies. More information on intent and general ESC and SWPPS principles is contained in the *CSWPP Standards* in Appendix D.

## F. ROADS AND UTILITIES

Road and utility projects often pose difficult erosion control challenges because they frequently cross surface waters and are long and narrow with limited area available to treat and store sediment-laden water. Because of these factors, road and utility projects are allowed greater flexibility in meeting the intent of Core Requirement #5 as described in the *CSWPP Standards*.

## G. ALTERNATIVE AND EXPERIMENTAL MEASURES

All measures proposed for erosion and sediment control shall conform to the details and specifications in the *CSWPP Standards* unless an alternative is approved by the City, and if the alternative is a new technology, it must also be approved through Ecology's CTAPE program (see "Alternative and Experimental Measures" in the *CSWPP Standards*, Appendix D).

### 1.2.5.3 CSWPP IMPLEMENTATION REQUIREMENTS

Proposed projects must identify, install, and maintain required erosion and sediment control and stormwater pollution prevention and spill control measures consistent with the following requirements:

#### A. CSWPP PLAN

As specified in Chapter 2, all proposed projects must submit a **CSWPP plan** for implementing CSWPP measures. The CSWPP plan is comprised of the **ESC plan and the SWPPS plan**. The **ESC plan** must show the location and details of all ESC measures as specified in Chapter 2 and the *CSWPP Standards* and shall include a **CSWPP report**, which contains additional directions and supporting information like a detailed construction sequence as proposed by the design engineer and any calculations or information necessary to size ESC measures and demonstrate compliance with Core Requirement #5. The CSWPP plan shall also contain plan notes that outline specific permit conditions as outlined in Appendix D Section D.4.2 Standard ESC and SWPPS Plan Notes. The City may require large, complex projects to phase construction and to submit multiple ESC plans for the different stages of construction. New CSWPP plans are not required for changes that are necessary during construction, unless required by the City inspector.

#### B. WET SEASON CONSTRUCTION

During the wet season (October 1 to April 30) any *site* with exposed soils shall be subject to the "Wet Season Requirements" contained in the *ESC Standards*. In addition to the ESC cover measures, these provisions include covering any newly-seeded areas with mulch and seeding as much disturbed area as possible during the first week of October to provide grass cover for the wet season. Other ESC measures such as baker tanks and portable sand filters may be required for use during the wet season. A separate "Wet Season" ESC plan shall be submitted and approved by the City before continuing work on any *site* during the wet season.

#### C. CONSTRUCTION WITHIN CRITICAL AREAS AND BUFFERS

Any construction that will result in disturbed areas on or within a stream or associated buffer, within a wetland or associated buffer, or within 50 feet of a lake shall be subject to the "Critical Area Restrictions" contained in the *CSWPP Standards*. These provisions include phasing the project whenever possible so that construction in these areas is limited to the dry season.

#### D. MAINTENANCE

All ESC and SWPPS measures shall be maintained and reviewed on a regular basis as prescribed in the *CSWPP Standards*.

#### E. FINAL STABILIZATION

Prior to obtaining final construction approval, the *site* shall be stabilized, structural ESC and SWPPS measures (such as silt fences, sediment traps and concrete waste collection pits) shall be removed, and

drainage facilities shall be cleaned as specified in the *CSWPP Standards*. A separate ESC plan describing final stabilization may be required by the City prior to implementation.

## F. CONSIDERATION OF OTHER REQUIRED PERMITS

Consideration should be given to the requirements and conditions that may be applied by other agencies as part of other permits required for land-disturbing activities. In particular, the following permits may be required and should be considered when implementing CSWPP measures:

- A **Class IV Special Forest Practices Permit** is required by the Washington State Department of Natural Resources for projects that will clear more than two acres of forest or 5,000 board feet of timber. All such clearing is also subject to the State Environmental Policy Act (RCW 43.21C) and will require SEPA review.
- A **NPDES General Permit for Construction** (pursuant to the Washington State Department of Ecology's Construction Stormwater General Permit) is required for projects that will disturb one or more acres for purposes of constructing or allowing for construction of a development, or projects disturbing less than one acre that are part of a *larger common plan of sale*<sup>35</sup> that will ultimately disturb one or more acres.

## 1.2.6 CORE REQUIREMENT #6: MAINTENANCE AND OPERATIONS

Maintenance and operation of all drainage facilities is the responsibility of the applicant or property owner, except those facilities for which the City assumes maintenance and operation as described below and in RMC 4-6-030.M. Drainage facilities must be maintained and operated in accordance with the maintenance standards in Appendix A of this manual, or other maintenance standards as approved by the City.

**Intent:** To ensure that the maintenance responsibility for drainage facilities is clearly assigned and that these facilities will be properly maintained and operated in perpetuity.

Drainage facilities serving private improvements are not allowed in public right-of-way. On-site BMPs serving private improvements are also not allowed in the public right-of-way. Under certain situations, drainage facilities for single family residential subdivisions with public roads may be allowed in the public right-of-way through the City adjustment/variance process. Examples of conditions in which facilities may be considered for placement in the public way are:

- Dead end streets or cul-de-sacs where future extensions of the road is unlikely and where drainage facilities will not conflict with existing utility improvements.
- Unimproved right-of-way where future improvements are not anticipated and would not conflict with existing or future utility improvements.

### Drainage Facilities to be Maintained by the City of Renton

The City will assume maintenance and operation of the following drainage facilities<sup>36</sup> for any residential subdivision with public streets, except where the City grants an adjustment per Section 1.4, allowing the facilities to be maintained by the homeowners association:

- Flow control and water quality treatment facilities within a stormwater tractor right-of-way dedicated to the City.

<sup>35</sup> **Common plan of development or sale** means a site where multiple separate and distinct construction activities may take place at different times or on different schedules, but still under a single plan. Examples include: 1) phased projects and projects with multiple filings or lots, even if the separate phases or filings/lots will be constructed under separate contract or by separate owners (e.g., a development where lots are sold to separate builders); 2) a development plan that may be phased over multiple years, but is still under a consistent plan for long-term development; and 3) projects in a contiguous area that may be unrelated but still under the same contract, such as construction of a building extension and a new parking lot at the same facility.

<sup>36</sup> *Note: the City of Renton does not assume maintenance of individual lot drainage systems or drainage stub-outs serving single family residential lot downspout, footing, or yard drains.*

- On-site BMPs serving more than one lot, and serving public improvements within a stormwater tract.
- Bioretention facilities in City right-of-way, mitigating for public improvements.
- Where serving public improvements, on-site BMP vegetated flow paths for full dispersion within an easement that includes provisions for access and maintenance. The City maintenance of these vegetated flow paths will be limited to their functionality. All other maintenance shall remain the responsibility of the owner(s).
- The conveyance system within a drainage easement, tract or improved public road right-of-way granted to the City.

*Note: The City may assume maintenance of facilities serving any mix of developments through an adjustment.*

The City **will assume maintenance** and operation of these facilities **two years after final construction approval** by CED and an inspection by the City to ensure the facilities have been properly maintained and are operating as designed.

**Flow control facilities, water quality treatment facilities, and on-site BMPs** to be maintained and operated by the City, along with the required perimeter landscaping (as required per RMC 4-9-150), must be located in a stormwater tract. For drainage facilities requiring perimeter landscaping, the stormwater tract shall be granted and conveyed with all ownership and maintenance obligations (excluding maintenance of the drainage facilities) to the subdivision's lot owners. An easement under and upon said tract shall be dedicated to the City for the purpose of operating, maintaining, and repairing the drainage facilities contained in the stormwater tract. If perimeter landscaping is not required, then the stormwater tract shall be dedicated to the City along with the maintenance of the drainage facility contained therein.

Required vegetated flow paths for full dispersion and basic dispersion BMPs require a recorded declaration of covenant that stipulates restrictions on use AND shall be located in an easement that includes provisions for access and maintenance. City maintenance of these vegetated flow paths will be limited to their functionality. All other maintenance shall remain the responsibility of the owner(s). Access roads serving these facilities must also be located in the tract or right-of-way and must be connected to an improved public road right-of-way.

**Conveyance systems** to be maintained and operated by the City must be located in a drainage easement, tract, or right-of-way granted to the City.

*Note: the City does not normally assume maintenance responsibility for conveyance systems that are outside of improved public road right-of-way.*

### **Drainage Facilities to be Maintained by Private Parties**

For residential subdivisions of nine lots or less with private streets, planned unit developments, and commercial and industrial sites, maintenance and operation of flow control and water quality treatment facilities including on-site BMPs are the responsibility of the property owner (s) and must be located in a tract or easement that identifies each property owner as having equal and undivided interest.

Shared facilities shall be maintained jointly by the property owners or users of the facility. Shared facilities must have a City approved maintenance plan or agreement regarding assignment of maintenance and operation.

All drainage facilities maintained privately, by the City or by other public agencies must be maintained as specified in **Appendix A**, "Maintenance Requirements for Stormwater Facilities and On-Site BMPs," and as further prescribed in **Chapter 6** for water quality facilities, unless otherwise approved by the City. A copy of the **Operation and Maintenance Manual** submitted as part of the permit application for flow control and water quality treatment facilities (see Section 2.3.1) shall be retained on *site* and shall be transferred with the property to the new owner. A log of maintenance activity indicating when cleaning occurred and where waste was disposed of shall also be kept by the owner and be available for inspection by the City.

All privately maintained **on-site BMPs** must be maintained as specified in the *site/lot's* declaration of covenant and grant of easement per Section 1.2.9.

The City shall annually inspect all privately maintained drainage facilities for compliance with these requirements. The City may reduce the inspection frequency based on maintenance records of double the length of time of the proposed inspection frequency. If the property owner(s) fails to maintain their facilities to the acceptable standards, the City shall issue a written notice specifying the required remedial actions and requiring a schedule for timely completion of the actions. If these actions are not performed in a timely manner, the City shall enter the property to perform the actions needed and bill the property owner(s) for the cost of the actions. If a hazard to public safety exists, the City shall perform remedial actions without written notice.

If the proposed project is a commercial, industrial, or multifamily development or redevelopment, or a single family residential building permit, a **drainage facility declaration of covenant and grant of easement** must be recorded at the King County Office of Records and Elections. Whenever a flow control facility, water quality treatment facility, or on-site BMP is proposed to be located on a parcel separate from the parcel or parcels containing the target surfaces mitigated by the facility or BMP, provisions must be made to ensure that the owner or owners of the target surfaces have a perpetual right to operate and maintain the facility. This may be done either by recording an easement granting this right to the owner(s) of the target surfaces, or by conveying the land on which the facility sits (or an interest therein) to the owner(s) of target surfaces.

If the proposed project is a **residential subdivision development**, all privately maintained conveyance systems or other drainage facilities that convey flows through private property must be located in a **drainage easement dedicated to convey surface and stormwater**. Individual owners of the properties containing these easements must maintain the drainage facilities through their property. The legal instrument creating drainage easements on private property must contain language that requires a private property owner to obtain written approval from the City prior to removing vegetation (except by routine mowing) from any drainage easement containing open, vegetated drainage facilities (such as swales, channels, ditches, ponds, etc.).

#### **Maintenance of On-Site BMPs**

Maintenance and operation of all on-site BMPs are the responsibility of the property owner unless specified above in Section 1.2.6 (Drainage Facilities to be Maintained by the City of Renton).

On-site BMPs are not allowed in City right-of-way unless constructed to mitigate for public improvements. Maintenance and operation of on-site BMPs constructed in the right-of-way is the responsibility of the adjacent property owner in accordance with RMC 4-6-060.

## **1.2.7 CORE REQUIREMENT #7: FINANCIAL GUARANTEES AND LIABILITY**

In accordance with RMC 4-6-030, CED shall require all persons constructing any surface water facilities (including flow control/water quality facilities, conveyance systems, erosion control, and road drainage), to post with the City of Renton a bond, assignment of funds or certified check.

The applicant must also maintain liability insurance as described in this Core Requirement #7.

**Intent:** To ensure financial guarantees are posted to sufficiently cover the cost of correcting, if necessary, incomplete or substandard drainage facility construction work, and to warrant for two years the satisfactory performance and maintenance of those newly-constructed drainage facilities. Core Requirement #7 is also intended to ensure that a liability policy is provided that protects the proponent and the City from any damages relating to the construction or maintenance of required drainage facilities by private parties.

### **Construction Bond for Required Improvements**

Before a permit, pursuant to the provisions of RMC 4-6-030, may be issued, the applicant may be required to execute to the City a construction bond. In some instances, and at the sole option of the City, a certificate of occupancy, final inspection, or final approval may be issued prior to completion of required public or site improvements if an acceptable form of guarantee is provided by the applicant.

**Amount of Required Construction Bond:** The construction bond shall be for not less than 100 percent of the amount calculated in the bond quantity worksheet (as provided in Reference Section 8-H) of all required drainage improvements associated with the proposed project. The bond quantity worksheet shall be provided by the applicant and is subject to review and acceptance by the City.

**Utilization of Funds Provided by the Construction Bond:** If the required improvements associated with the proposed project are not completed by the termination date of the construction bond, the City shall use the bond to construct the improvements in accordance with the City's standards.

**Release of Construction Bond:** The construction bond will be released when the applicant completes the following:

- Correct any defects noted in the final inspection.
- Address, to the satisfaction of the City, all deficiencies noted in the final inspection by the City.
- Provide to the City as-built drawings, final recorded plat, recorded easements, bill of sale, cost data inventory of public storm system improvements to be owned and maintained by the City, and recorded restricted covenant and grant of easement.
- Receive a City Final inspection to ensure the drainage facilities have been properly installed and are operated as desired.
- Submission of maintenance bond to the City.

### **Maintenance Bond**

Prior to acceptance by the City of any newly constructed public improvements to be deeded to the City, or any onsite or offsite private storm drainage improvements, the applicant shall file with the City a construction maintenance bond. The maintenance bond is to be held by the City for a period of two years.

**Amount of Maintenance Bond:** The maintenance bond shall be for 20 percent of the amount calculated in the bond quantity worksheet.

**Utilization of Funds Provided by the Maintenance Bond:** In the event that required improvements are not properly maintained during the required maintenance guarantee period, the City shall notify the developer/owner. If the developer/owner fails to correct the problem within a period of 15 days, the City shall use the maintenance guarantee to perform the maintenance work. Should any failures occur in regard to required improvements associated with a development project within the warranty period, the City shall require the developer/owner to correct all failures. Should the developer/owner fail to perform within a period of 15 days, the City shall use the maintenance and warranty bond to correct any failures.

**Release of Maintenance Bond:** Maintenance bond will be released upon completion of the two-year maintenance bond period following final inspection and correction of any maintenance defects identified in the final inspection by the City.

### **Hold Harmless**

The permittee shall protect, defend, indemnify, and save harmless the City, its officers, employees, and agents from any and all costs, claims, judgments, or awards of damages, arising out of or in any way resulting from the negligent acts or omissions of the permittee. The permittee agrees that its obligations under this Section extend to any claim, demand, and/or cause of action brought by, or on behalf of, any of its employees or agents.



### Insurance Required

Before a permit shall be issued for any construction, insurance will be required as follows:

1. The applicant shall secure and maintain in force throughout the duration of the permit: Commercial General Liability insurance written on an occurrence basis with limits no less than one million dollars (\$1,000,000) per occurrence/two million dollars (\$2,000,000) aggregate.
2. Copies of such insurance policy or policies shall be furnished unto the City with a special endorsement in favor of the City with the City named as a primary and noncontributory additional insured on the insurance policy and an endorsement stating such shall be provided to the City.
3. The policy shall provide that it will not be canceled or reduced without 30 days' advanced written notice to the City.
4. Upon showing of a hardship and at the discretion of the Administrator or his/her designee, the insurance requirements may be reduced or waived for single-family or two-family residential applications.

### Other Important Information about Core Requirement #7

Other requirements include the following:

- **Cash Bond Returned:** The cash bond will be returned to applicant when work is accepted by the City, less any sums due to the City under the terms of this Core Requirement #7.
- **Reimbursement of City's Costs Incurred to Obtain Funds Provided by Guarantees:** If the City finds it necessary to utilize funds provided for any guarantee, and incurs expenses in obtaining and administering such funds, a portion of these monies shall also be used to reimburse the City for such recovery costs. If the guarantee is not adequate to cover all necessary costs, the developer/owner is required to make up the deficit in cash within 30 days of receipt of written notice from the City.

## 1.2.8 CORE REQUIREMENT #8: WATER QUALITY FACILITIES

All proposed projects, including *redevelopment projects*, must provide water quality (WQ) facilities to treat the runoff from those new and replaced *pollution-generating impervious surfaces* and new *pollution-generating pervious surfaces* targeted for treatment as specified in the following sections. These facilities shall be selected from a menu of water quality facility options specified by the area-specific facility requirements in Section 1.2.8.1 and implemented according to the applicable WQ implementation requirements in Section 1.2.8.2.

**Intent:** To require an efficient, cost-effective level of water quality treatment tailored to the sensitivities and resource protection needs of the downstream receiving water to which the *project site* drains, or, in the case of infiltration, protection of the receiving groundwater system.

### Guide to Applying Core Requirement #8

Core Requirement #8 requires that WQ facilities be provided to remove pollutants from runoff discharging from a *project site* in accordance with land use-specific WQ facility requirements found in Section 1.2.8.1.

For efficient application of Core Requirement #8, the following steps are recommended:

1. Check the exemption language in Section 1.2.8 to determine if or which *threshold discharge areas* of the *project site* must provide WQ facilities per Core Requirement #8.
2. Use the Basic WQ treatment areas section (Section 1.2.8.1.A) to determine if basic or enhanced treatment is required.
3. Consult Section 1.2.8.2 for other design requirements, allowances, and flexible compliance provisions related to implementing water quality treatment.
4. Consult Sections 1.2.2, Core Requirement #2: Offsite Analysis, 1.2.2.1, Downstream Analysis, and 1.2.2.1.2, Downstream Water Quality Problems Requiring Special Attention.

## Other Important Information about Core Requirement #8

Core Requirement #8 is the primary component of an overall water quality protection strategy required by this manual. Other requirements include the following:

- Core Requirement #4: **Conveyance System, Spill Control Provisions**, Section 1.2.4 — This provision generally applies whenever a project constructs or replaces onsite conveyance system elements that receive runoff from *pollution-generating impervious surfaces*. The provision requires that runoff from such impervious surfaces be routed through a spill control device prior to discharge from the *project site* or into a natural onsite drainage feature.
- Core Requirement #4: **Conveyance System, Groundwater Protection**, Section 1.2.4 — This provision requires that ditches/channels be lined as needed to reduce the risk of groundwater contamination when they convey runoff from *pollution-generating impervious surfaces* that comes into direct contact with an outwash soil. Open facilities (such as flow control and water quality treatment ponds, stormwater wetlands and infiltration facilities) and/or conveyance systems are not allowed in *Zone 1 of the Aquifer Protection Area*.
- Special Requirement #4: **Source Control**, Section 1.3.4 — This requirement applies water quality source controls from the *King County Stormwater Pollution Prevention Manual* to commercial, industrial, and multifamily projects.
- Special Requirement #5: **Oil Control**, Section 1.3.5 — This requirement applies special oil controls to those projects proposing to develop or redevelop a *high-use site*.

### ❑ EXEMPTIONS FROM CORE REQUIREMENT #8

There are four possible exemptions from the requirement to provide a **water quality facility** per Core Requirement #8:

#### 1. Surface Area Exemption

A proposed project or any *threshold discharge area* within the *site* of a project is exempt if it meets all of the following criteria:

- a) Less than 5,000 square feet of *new plus replaced PGIS* that is **not fully dispersed** will be created, AND
- b) Less than  $\frac{3}{4}$  acre of *new PGPS* that is **not fully dispersed** will be added.

#### 2. Surface Exemption for Transportation Redevelopment Projects

A proposed *transportation redevelopment project* or any *threshold discharge area* within the *site* of such a project is exempt if it meets all of the following criteria:

- a) The **total new impervious surface** within the project limits is less than 50% of the existing impervious surface, AND
- b) Less than 5,000 square feet of *new PGIS* that is **not fully dispersed** will be added, AND
- c) Less than  $\frac{3}{4}$  acre of *new PGPS* that is **not fully dispersed** will be added.

#### 3. Cost Exemption for Parcel Redevelopment Projects

A proposed *redevelopment project* on a single or multiple parcel *site* or any *threshold discharge area* within the *site* of such a project is exempt if it meets all of the following criteria:

- a) The **total valuation** of the project's proposed improvements (including interior improvements and excluding required mitigation improvements) is less than 50% of the assessed value of the existing *site* improvements, AND
- b) Less than 5,000 square feet of *new PGIS* that is **not fully dispersed** will be added, AND
- c) Less than  $\frac{3}{4}$  acre of *new PGPS* that is **not fully dispersed** will be added.

#### 4. Soil Treatment Exemption

A proposed project or any drainage area within a project is exempt if the runoff from ***pollution-generating impervious surfaces*** is infiltrated in soils that meet the “groundwater protection criteria” outlined below.

**Groundwater Protection Criteria:** The first 2 feet or more of the soil beneath an infiltration facility must have a *cation exchange capacity* greater than 5 (tested using EPA Laboratory Method 9081) and an *organic content* greater than 0.5% (measured on a dry weight basis using ASTM D 2974), AND must meet one of the following specifications for general protection of groundwater:

- a) The soil must have a *measured infiltration rate*<sup>37</sup> of less than or equal to 9 inches per hour, except in ***groundwater protection areas*** where the measured rate must be less than or equal to 2.4 inches per hour, OR
- a) The soil must be composed of less than 25% gravel by weight with at least 75% of the soil passing the #4 sieve, and the portion passing the #4 sieve must meet one of the following gradations:
  - At least 50% must pass the #40 sieve and at least 2% must pass the #100 sieve, OR
  - At least 25% must pass the #40 sieve and at least 5% must pass the #200 sieve.<sup>37</sup>

#### 1.2.8.1 LAND USE-SPECIFIC WATER QUALITY FACILITY REQUIREMENT

Projects subject to Core Requirement #8 must provide a water quality facility selected from a menu of water quality facility options identified in the area-specific facility requirements and exceptions for the WQ treatment area in which the proposed project or ***threshold discharge area*** of the proposed project is located. These WQ treatment areas are listed below and their requirements and exceptions are detailed in the following subsections:

- A. Basic WQ Treatment Areas
- B. Sensitive Lake WQ Treatment Areas
- C. Sphagnum Bog WQ Treatment Areas.

**Intent:** To apply an appropriate level of water quality treatment based on the sensitivities of receiving waters for the drainage area in which the project lies. These drainage areas are identified as WQ treatment areas on the WQ Applications Map adopted with this manual. In addition to a minimum basic standard, which applies broadly to most geographic areas, special menus are provided for land uses that generate the highest concentrations of metals in stormwater and for ***sites*** within the watersheds of sensitive lakes, and sphagnum bog wetlands.

#### A. BASIC WQ TREATMENT AREAS

Basic WQ Treatment Areas are designated by the City of Renton where a general, cost-effective level of treatment is sufficient for most land uses. Most direct discharges only require Basic WQ Treatment. Some land uses, however, will need an increased level of treatment (Enhanced Basic WQ Treatment) because they generate high concentrations of metals in stormwater runoff and acute concentrations of metals in streams are toxic to fish.

#### Required Treatment Menu

Within Basic WQ Treatment Areas, a water quality facility option from the **Basic WQ menu** shall be used to treat runoff from the surfaces listed under “Target Surfaces” below, except where such treatment is

<sup>37</sup> *Measured infiltration rate* shall be as measured by the EPA method or the Double Ring Infiltrometer Method (ASTM D3385). For some soils, an infiltration rate of less than 9 inches per hour may be assumed based on a soil texture determination rather than a rate measurement. For more details, see the “Groundwater Protection” requirements in Section 5.4.1.

waived or reduced by the area-specific exceptions at the end of this subsection and except where the Enhanced Basic WQ menu is applicable as follows.

If 50% or more of the runoff that drains to any proposed water quality facility is from one or more of the **following land uses**, then the **Enhanced Basic WQ menu** shall be used in place of the Basic WQ menu for the design of this facility, except if such treatment is waived or reduced by the area-specific exceptions at the end of this subsection:

1. Commercial, industrial, or multifamily land use.
2. A road with an expected average daily traffic (ADT) count of 7,500 or more vehicles. .

### Treatment Goal and Options

The treatment goal for facility options in the **Basic WQ menu** is 80% removal of total suspended solids (TSS) for flows or volumes up to and including the WQ design flow or volume for a typical rainfall year, assuming typical pollutant concentrations in urban runoff.<sup>38</sup> TSS is the general performance indicator for basic water quality protection because it is the most obvious pollutant of concern. TSS is not a single pollutant; it is a general term for a highly variable mixture of solid pollutants with variable particle size and particle density distributions, and to one degree or another containing a variety of sorbed dissolvable pollutants. The Basic WQ menu includes facilities such as wetponds, combined detention/wetponds, bioswales, vegetated filter strips, and sand filters. See Chapter 6 for specific facility choices and design details. Additional facility designs may appear in Reference Section 14 in the future.

The treatment goal for facility options in the **Enhanced Basic WQ menu** is to accomplish better removal of heavy metals and potentially other toxic materials than can be achieved by basic treatment, while still meeting the basic treatment goal of 80% TSS removal. The specific target performance is > 30% reduction of dissolved copper and > 60% removal of dissolved zinc. Dissolved copper and zinc are indicators of a wider range of metals typically found in urban runoff that are potentially toxic to fish and other aquatic life. The Enhanced Basic WQ menu includes options for use of a basic-sized stormwater wetland, a large sand filter, or a combination of two facilities in series. See Chapter 6 for specific facility options and designs. Additional facility designs may appear in Reference S14 in the future.

### Intent

The **Basic WQ menu** is intended to be applied to both stormwater discharges draining to surface waters and those infiltrating into soils that do not provide adequate groundwater protection (see Exemptions 4 and 5 from Core Requirement #8). Overall, the 80% TSS removal objective, in conjunction with special requirements for source control and *high-use site* controls, should result in good stormwater quality for all but the most sensitive water bodies. Increased water quality treatment is necessary for developments that generate the highest concentrations of metals and for developments that drain to sensitive lakes and sphagnum bog wetlands.

Facility options in the **Enhanced Basic WQ menu** are intended to remove more metals than expected from those in the Basic WQ menu. Lower metal concentrations reduce the risk to fish from exposure to both chronic and acute toxic concentrations of metals such as copper and zinc, and very low concentration copper deleterious olfactory effects. As the toxicity of metals depends on their concentration, this standard is most effective for *project sites* with a larger proportion of *pollution-generating impervious surface* like roadways and medium to high density subdivisions. The Enhanced Basic WQ menu is intended to apply to all such *project sites* that drain by surface flows to a fish-bearing stream. However, projects that drain entirely by pipe to the *major receiving waters* listed Table 1.2.3.B may be excused from the increased treatment and may revert to the Basic WQ menu because concentration effects are of less concern as the overall flow volume increases; however, this exception is not applicable for WQ impaired segments per

<sup>38</sup> The influent concentration range for demonstrated pollutant removal is 100 to 200 mg/L. For influent concentrations lower than 100 mg/l the effluent goal is equal to or less than 20 mg/l. For influent concentrations greater than 200 mg/l, the goal is greater than 80% TSS removal.

Section 1.2.2.1: Downstream Analysis, and 1.2.2.1.2: Downstream Water Quality Problems Requiring Special Attention, Metals Problem (Type 4).

### Target Surfaces

Facilities in **Basic WQ Treatment Areas** must treat (either directly or in effect) the runoff from the following target surfaces within the *threshold discharge area* for which the facility is required:

1. New PGIS that is not fully dispersed per the Criteria for Fully Dispersed Surfaces (see Section 1.2.3.2.C) in Core Requirement #3. For individual lots within residential subdivision projects, the extent of new PGIS shall be assumed based on expected driveway size as approved by CED.
2. New PGPS that is not fully dispersed and from which there will be a concentrated surface discharge in a natural channel or man-made conveyance system from the site. For individual lots within residential subdivision projects, the extent of new pervious surface shall be assumed to be the entire lot area, except the assumed impervious portion as specified in Chapter 3 and any portion in which native conditions are preserved by covenant, tract, or easement.
3. Replaced PGIS that is not fully dispersed on a non-redevelopment project.
4. Replaced PGIS that is not fully dispersed on a transportation redevelopment project in which new impervious surface is 5,000 square feet or more and totals 50% or more of the existing impervious surface within the project limits.
5. Replaced PGIS that is not fully dispersed on a parcel redevelopment project in which the total of new plus replaced impervious surface is 5,000 square feet or more and whose valuation of proposed improvements (including interior improvements and excluding required mitigation improvements) exceeds 50% of the assessed value of the existing site improvements.

### Exceptions

The following exceptions apply only **in Basic WQ Treatment Areas**:

1. Exception #1 does not apply to the City
2. The Enhanced Basic WQ menu as specified above for certain land uses may be reduced to the Basic WQ menu for treatment of any runoff that is infiltrated per the standards of Section 5.2. This exception is not allowed where infiltrating within one-quarter-mile of a fresh water designated for aquatic life use or that has an existing aquatic life use into soils that do not meet the groundwater protection standards described in Section 5.2.1.
3. The Enhanced Basic WQ menu as specified above for certain land uses may be reduced to the Basic WQ menu for treatment of any runoff that is discharged directly, via a non-fish-bearing conveyance system, all the way to the ordinary high water mark of a stream with a mean annual flow of 1,000 cfs or more (at the discharge point of the conveyance system) or a lake that is 300 acres or larger. This exception does not apply where the receiving water is impaired as described in the full description of major receiving water in the Definitions section or is impaired for metals according to Downstream Analysis.
4. The Enhanced Basic WQ menu as specified above for treating runoff from a commercial land use may be reduced to the Basic WQ menu if all of the following criteria are met:
  - a) A facility from the Enhanced Basic WQ menu is not feasible, AND
  - b) No leachable heavy metals are currently used or proposed to be used in areas of the site, exposed to the weather, AND
  - c) A covenant is recorded that prohibits future such use of leachable, heavy metals on the site (use the covenant in Reference Section 8-Q), AND
  - d) Less than 50% of the runoff draining to the proposed water quality facility is from any area of the site comprised of one or both of the following land uses:

- Commercial land use with an expected ADT of 100 or more vehicles per 1,000 square feet of gross building area.
  - Commercial land use involved with vehicle repair, maintenance, or sales.
5. The facility requirement as applied to *replaced PGIS* may be waived if the City has adopted a plan and implementation schedule for fulfilling this requirement using **regional facilities**.

## B. SENSITIVE LAKE WQ TREATMENT AREAS

There are no Sensitive Lake WQ Treatment Areas in the City at the time this manual was adopted; however, this section has been retained in case of future changes in lake status.

### Required Treatment Menu

Within Sensitive Lake WQ Treatment Areas, a water quality facility option from the **Sensitive Lake Protection menu** shall be used to treat runoff from the surfaces listed under “Target Surfaces” below, except where such treatment is waived or reduced by the area-specific exceptions at the end of this subsection and except where the Enhanced Basic WQ menu is applicable as follows. If 50% or more of the runoff that drains to any proposed water quality facility is from one or more of the **following land uses**, then a water quality facility option common to both the **Sensitive Lake Protection menu and Enhanced Basic WQ menu** shall be used for the design of this facility, except if such treatment is waived or reduced by the area-specific exceptions at the end of this subsection:

1. Commercial, industrial, or multifamily land use.
2. A road with an expected average daily traffic (ADT) count of 7,500 or more vehicles.

### Treatment Goal and Options

The treatment goal for facility options in the Sensitive Lake Protection menu is 50% annual average total phosphorus (TP) removal assuming typical pollutant concentrations in urban runoff.<sup>39</sup> This goal was chosen as a realistic and cost-effective level of phosphorus removal. The Sensitive Lake Protection menu includes options for using either Basic WQ facilities of larger size, combinations of two facilities in series,<sup>40</sup> or a single facility in combination with land use planning elements that reduce phosphorus. See Chapter 6 for specific facility options and design details.

On some developments or portions thereof that have surface uses that generate the highest concentrations of metals in stormwater runoff, the treatment goal is expanded to include > 30% reduction of dissolved copper and > 60% removal of dissolved zinc. This expanded goal requires use of a water quality facility option that is common to both the Sensitive Lake Protection menu and the Enhanced Basic menu.

### Intent

A project discharging runoff via surface flow contributes phosphorus loading to a sensitive lake regardless of distance from the lake. If discharge is via infiltration through coarse soils, it is also possible that phosphorus would be transported through the ground for some distance without attenuation. This groundwater transport distance is considered to be typically no more than one-quarter mile. Therefore, onsite treatment using the **Sensitive Lake Protection menu** is required prior to infiltration within one-quarter mile of a sensitive lake. Infiltration through finer soils is expected to provide significant attenuation of TP, so the general groundwater protection criteria specified in Section 1.2.8 under “Soil Treatment Exemption” are considered sufficient for infiltration through finer soils.

Where the treatment goal is expanded to include > 30% reduction of dissolved copper and > 60% removal of dissolved zinc, the facility options common to both the Sensitive Lake Protection menu and the Enhanced Basic WQ menu should meet this goal as well as the lake protection goal of 50% removal of

<sup>39</sup> Phosphorus concentrations of between 0.10 and 0.50 mg/L are considered typical of Seattle area runoff (Table 1, “Water Quality Thresholds Decision paper,” King County Surface Water Management Division, April 1994).

<sup>40</sup> *In series* means that the entire treatment water volume flows from one facility to the other in turn.

annual average total phosphorous. The intent behind the enhanced heavy metals removal goal and why it is applied is described in Section 1.2.8.1.

### Target Surfaces

Facilities in **Sensitive Lake WQ Treatment Areas** must mitigate (either directly or in effect) the runoff from the following target surfaces within the *threshold discharge area* for which the facility is required:

1. **New PGIS** that is **not fully dispersed** per the Criteria for Fully Dispersed Surfaces (see Section 1.2.3.2.C) in Core Requirement #3. For individual lots within residential subdivision projects, the extent of **new PGIS** shall be assumed based on expected driveway size as approved by CED.
2. **New PGPS** that is **not fully dispersed** and from which there will be a concentrated surface discharge in a natural channel or man-made conveyance system from the *site*. For individual lots within residential subdivision projects, the extent of **new pervious surface** shall be assumed to be the entire lot area, except the assumed impervious portion as specified in Chapter 3 and any portion in which native conditions are preserved by covenant, tract, or easement. *Note: where the runoff from target PGPS is separated from the runoff from target PGIS, the Basic WQ menu may be used in place of the Sensitive Lake Protection menu for treatment of runoff from the target PGPS (see the area-specific exceptions at the end of this subsection).*
3. **Replaced PGIS** that is **not fully dispersed**, on a non-redevelopment project.
4. **Replaced PGIS** that is **not fully dispersed** on a **transportation redevelopment project** in which **new impervious surface** is 5,000 square feet or more and totals 50% or more of the existing impervious surface within the project limits.
5. **Replaced PGIS** that is **not fully dispersed**, on a **parcel redevelopment project** in which the total of new plus **replaced impervious surface** is 5,000 square feet or more and whose valuation of proposed improvements (including interior improvements and excluding required mitigation improvements) exceeds 50% of the assessed value of the existing *site* improvements.

### Exceptions

The following exceptions apply only in **Sensitive Lake WQ Treatment Areas**:

1. The **Basic WQ menu** may be used in place of the **Sensitive Lake Protection menu** for treatment of any **runoff that is infiltrated** according to the standards in Section 5.2. This exception is not allowed where infiltrating within one-quarter-mile of a phosphorous sensitive receiving water or a tributary to that receiving water into soils that do not meet the groundwater protection standards described in Section 5.2.1.
2. Application of the **Enhanced Basic WQ menu** as specified above for certain land uses may be waived for treatment of any runoff that is infiltrated according to the standards in Section 5.2. This exception is not allowed where infiltrating within one-quarter-mile of a fresh water designated for aquatic life use or that has an existing aquatic life use into soils that do not meet the groundwater protection standards described in Section 5.2.1.
3. Application of the **Enhanced Basic WQ menu** as specified above for certain land uses may be waived for treatment of any runoff that is discharged, via a non-fish-bearing conveyance system, all the way to the ordinary high water mark of a stream with a mean annual flow of 1,000 cfs or more (at the discharge point of the conveyance system) or a lake that is 300 acres or larger. This exception is not applicable for WQ impaired segments per Section 1.2.2.1: Downstream Analysis, and 1.2.2.1.2: Downstream Water Quality Problems Requiring Special Attention, Metals Problem (Type 4).
4. The **Enhanced Basic WQ menu** as specified above for treating runoff from a commercial land use may be waived if the all of the following criteria are met:
  - a) No leachable metals (e.g., galvanized metals) are currently used or proposed to be used in areas of the *site*, exposed to the weather, AND

- b) A covenant is recorded that prohibits future such use of leachable metals on the *site*, exposed to the weather (use the covenant in Reference Section 8-Q), AND
- c) Less than 50% of the runoff draining to the proposed water quality facility is from any area of the *site* comprised of one or both of the following land uses:
  - Commercial land use with an expected ADT of 100 or more vehicles per 1,000 square feet of gross building area.
  - Commercial land use involved with vehicle repair, maintenance, or sales.
5. The **Basic WQ menu** may be used for treatment of any runoff from **target PGPS** that is treated separately from the runoff from **target PGIS**.
6. Exception #6 does not apply in the City.
7. The facility requirement as applied to **replaced PGIS** may be waived if the City has adopted a plan and implementation schedule for fulfilling this requirement using **regional facilities**.

*Note: If a lake management plan has been prepared and adopted by the City, additional treatment and/or other water quality measures may be required as specified in the plan and pursuant to Special Requirement #1, Section 1.2.9.*

### C. SPHAGNUM BOG WQ TREATMENT AREAS

There are no Sphagnum Bog WQ Treatment Areas in the City at the time this manual was adopted; however, this section has been retained in case of future changes. Sphagnum Bog WQ Treatment Areas are areas of King County from which runoff drains to or otherwise comes into contact with the vegetation of a *sphagnum bog wetland*<sup>41</sup> larger than 0.25 acres in size.<sup>42</sup> These wetlands support unique vegetation communities, and they tend to develop in areas where water movement is minimized. Although sphagnum bog wetlands are typically isolated from significant sources of surface and ground water and receive their main water supply from rainfall, there are instances where they are components of larger wetlands and may be subject to inundation by those wetlands during high intensity or long duration runoff events. Sphagnum bog wetlands are generally uncommon in the Puget Sound area; of all the inventoried wetlands in King County, only a small percentage have sphagnum bog wetland components.<sup>43</sup>

Only a portion of all sphagnum bog wetlands have been identified and mapped by King County. Consequently, many of these wetlands and their contributing drainage areas must be identified during the wetland identification and delineation for a *project site* and during offsite analysis as required in Core Requirement #2. A list of identified sphagnum bog wetlands is included on the WQ Applications Map and in the 1997 King County Bog Inventory, updated November 2002; however, if a wetland that meets the definition of a sphagnum bog wetland is found downstream of a *project site* and runoff from the *project site* drains to or otherwise comes into contact with the wetland's vegetation, the *project site* is considered to be within a Sphagnum Bog WQ Treatment Area whether the wetland is listed or not.

*Note: Any threshold discharge area from which runoff drains to or comes into contact with the vegetation of a sphagnum bog wetland larger than 0.25 acres in size is considered to be within a Sphagnum Bog WQ Treatment Area regardless of the WQ treatment area indicated by the WQ Applications Map.*

#### Required Treatment Menu

A treatment option from the **Sphagnum Bog Protection menu** shall be used to treat runoff from the target surfaces specified below, except where this mitigation is waived or reduced by the area-specific exceptions at the end of this subsection.

<sup>41</sup> A *sphagnum bog wetland* is defined as a wetland dominated by sphagnum moss and which has an associated acid-loving plant community. See the "Definitions" section for more details on how King County defines a sphagnum bog wetland.

<sup>42</sup> The *size* of a sphagnum bog wetland is defined by the boundaries of the sphagnum bog plant community.

<sup>43</sup> Approximately 3% of wetlands in the 1990 sensitive areas inventory are either sphagnum bog wetlands or include portions of a lake or wetland with sphagnum bog wetland characteristics.



## Treatment Goals and Options

The treatment goals for protection of sphagnum bog wetlands include the control of nutrients, alkalinity, and pH. Although these goals may change as additional information about these wetlands becomes available, target pollutant removals for sphagnum bog protection are currently as follows:

- Total phosphorus reduction of 50%
- Nitrate + nitrite reduction of 40%
- pH below 6.5
- Alkalinity below 10 mg CaCO<sub>3</sub>/L.

Facility options to meet these goals are limited; therefore, the City discourages developments from discharging runoff to sphagnum bog wetlands. Where infiltration of developed area runoff is not feasible or applicable per Section 5.2, water quality facility options include a treatment train<sup>44</sup> of two or three facilities in series. One of the facilities in the train must be a sand filter. The order of facilities in the treatment train is important; see Chapter 6 for specific facility options and design details.

### Intent

Sphagnum bog wetlands support unique vegetation communities that are extremely sensitive to changes in alkalinity and nutrients from surface water inputs. The most effective way to prevent these changes is to infiltrate or redirect developed area runoff so it does not come into contact with the vegetation of a sphagnum bog wetland. However, this is not practicable for most development projects due to soil constraints precluding infiltration (see Section 5.2) and the onerous nature of bypassing runoff around a wetland. Therefore, where runoff contact with sphagnum bog vegetation cannot be avoided, the bog protection menu seeks to minimize certain changes in the chemistry of developed area runoff to protect this unique vegetation. This menu applies not only to runoff that drains directly to a sphagnum bog wetland but to runoff that otherwise comes into contact with the bog's vegetation, such as through inundation of the bog by an adjacent water body during high intensity or long duration runoff events.

While water quality facility options emphasize reduction of mineral elements (alkalinity) and nutrients in the runoff, little is known about their ability to reduce alkalinity or to actually protect sphagnum-based plant communities. In addition, the effect of frequent water level changes on the sphagnum plant community is also unknown but could be damaging. Hence, it is best to avoid discharge to sphagnum bog wetlands whenever possible. Permeable pavements that are tributary to sphagnum bog wetlands should be types other than Portland cement (PCC) permeable pavement, if feasible.

### Target Surfaces

Facilities in **Sphagnum Bog WQ Treatment Areas** must mitigate (either directly or in effect) the runoff from the following target surfaces within the *threshold discharge area* for which the facility is required:

1. **New PGIS** that is **not fully dispersed** per the Criteria for Fully Dispersed Surfaces (p. 1-46) in Core Requirement #3. For individual lots within residential subdivision projects, the extent of **new PGIS** shall be assumed based on expected driveway size as approved by CED.
2. **New PGPS** that is **not fully dispersed** and from which there will be a concentrated surface discharge in a natural channel or man-made conveyance system from the **site**. For individual lots within residential subdivision projects, the extent of **new pervious surface** shall be assumed to be the entire lot area, except the assumed impervious portion as specified in Chapter 3 and any portion in which native conditions are preserved by covenant, tract, or easement.
3. Replaced PGIS that is **not fully dispersed**, on a non-redevelopment project.

<sup>44</sup> A *treatment train* is a combination of two or more treatment BMPs connected in series (i.e., the design water volume passes through each facility in turn).

4. **Replaced PGIS** that is **not fully dispersed** on a **transportation redevelopment project** in which **new impervious surface** is 5,000 square feet or more and totals 50% or more of the existing impervious surface within the project limits.

**Replaced PGIS** that is **not fully dispersed** on a **parcel redevelopment project** in which the total of new plus **replaced impervious surface** is 5,000 square feet or more and whose valuation of proposed improvements (including interior improvements and excluding required mitigation improvements) exceeds 50% of the assessed value of the existing **site** improvements.

### Exceptions

The following exceptions apply only **in Sphagnum Bog WQ Treatment Areas**:

1. The **Basic WQ menu** may be used in place of the Sphagnum Bog Protection menu for treatment of any **runoff that is infiltrated** in a facility per Section 5.2. This exception is not allowed where infiltrating within one-quarter-mile of a phosphorous sensitive receiving water or a tributary to that receiving water into soils that do not meet the groundwater protection standards described in Section 5.2.1. If the infiltration facility is located in soils not meeting the groundwater protection standards described in Section 5.2.1, and within the prescribed distance of a sensitive lake, then the Sensitive Lake Protection menu shall be used.
2. The facility requirement for Sphagnum Bog WQ Treatment Areas may be reduced to that of the surrounding WQ treatment area (i.e., either the Basic WQ Treatment Area or Sensitive Lake Treatment Area, whichever contains the Sphagnum Bog WQ Treatment Area) for treatment of any **replaced PGIS runoff**.

## 1.2.8.2 WATER QUALITY IMPLEMENTATION REQUIREMENTS

Water quality facilities shall be designed and implemented in accordance with the following requirements, allowances, and flexible compliance provisions:

### A. METHODS OF ANALYSIS AND DESIGN

Water quality facilities shall be analyzed and designed as detailed in Chapter 6.

### B. SITING OF WATER QUALITY FACILITIES

Required water quality facilities shall be located so as to treat the runoff from all target surfaces, except as allowed below under “Treatment Trades” and “Untreated Discharges.”

Any other onsite or offsite runoff draining to a proposed water quality facility must be treated whether it is from a **target pollution-generating surface** or not and regardless of whether the runoff has already been treated by another facility. The facility must be sized for all flows/volumes entering the facility. This is because treatment effectiveness is determined in part by the total volume of runoff entering the facility.

### C. TREATMENT TRADES

The runoff from **target pollution-generating surfaces** may be released untreated if an existing non-targeted pollution-generating surface of equivalent size and pollutant characteristics lying within the same watershed or stream reach tributary area is treated on the **project site**. Such substitution is subject to the following restrictions:

1. The existing non-targeted pollution-generating surface is not currently being treated, is not required to be treated by any phase of the proposed project, is not subject to NPDES or other permit requirements, and is not under a compliance order or other regulatory action, AND
2. The proposal is reviewed and approved by CED.

## D. UNTREATED DISCHARGES

If *site* topographic constraints are such that runoff from a **target pollution-generating surface** must be pumped to be treated by the required water quality facility, then CED may allow the area's runoff to be released untreated provided that all of the following conditions are met:

1. Treatment of the constrained area by filter strip, bioswale, or a linear sand filter is not feasible, and a **treatment trade** as described above is not possible.
2. The untreated target surface is less than 5,000 square feet of *new plus replaced PGIS*.

## E. USE OF PROPRIETARY FACILITIES

Water quality facilities other than those identified in Chapter 6, Reference Section 14-A, or Reference Section 14-B may be allowed if it can be demonstrated that they are likely to meet the pollutant removal goal for the applicable receiving water. Use of such facilities requires an adjustment, which requires approval by the City according to Section 1.4, "Adjustment Process," and Section 6.7, "Alternative Facilities." Any new treatment technologies must be approved through the state Department of Ecology's *TAPE*<sup>45</sup> or *CTAPE*<sup>46</sup> program before the technology can be considered by the City. Monitoring will be required, the nature of which will depend on the pre-existing Ecology use-level designation, the number of existing facilities of this design for which monitoring data already exists, and review of the monitoring results from those facilities. When sufficient data on performance and maintenance requirements have been collected and if both are acceptable, the new facility may be added to the appropriate water quality menu for common use through a blanket adjustment or update of this manual. Criteria may be set, which if not met, may require replacement of the facility with a standard facility from Chapter 6.

## F. OWNER RESPONSIBILITY FOR WATER QUALITY

Regardless of the means by which a property owner chooses to meet the water quality requirements of this manual – whether a water quality facility, a train of facilities, or a treatment trade – it is the responsibility of the property owner to ensure that runoff from their *site* does not create water quality problems or degrade beneficial uses downstream. It is also the responsibility of the property owner to ensure that the discharge from their property is not in violation of state and federal laws.

# 1.2.9 CORE REQUIREMENT #9: ON-SITE BMPS

All proposed projects, including *redevelopment projects*, must provide on-site BMPs to mitigate the impacts of storm and surface water runoff generated by *new impervious surface*, *new pervious surface*, existing impervious surfaces, and *replaced impervious surface* targeted for mitigation as specified in the following sections. *On-site BMPs* must be selected and applied according to the basic requirements, procedures, and provisions detailed in this section and the design specifications for each BMP in Appendix C, Section C.2.

*On-site BMPs* are methods and designs for dispersing, infiltrating, or otherwise reducing or preventing development-related increases in runoff at or near the sources of those increases. *On-site BMPs* include, but are not limited to, preservation and use of *native vegetated surfaces* to fully disperse runoff; use of other pervious surfaces to disperse runoff; roof downspout infiltration; permeable pavements; bioretention; limited infiltration systems; and reduction of development footprint.

**Intent:** To provide mitigation of hydrologic impacts that are not possible/practical to mitigate with a flow control facility. Such impacts include increases in runoff volumes and peak discharges and decreases in groundwater recharge. Increased runoff volume and peak discharges leads to higher and more variable stream velocities at low flows and more frequent water level fluctuations in streams and wetlands. This

<sup>45</sup> Ecology W, 2011. Technical Guidance Manual for Evaluating Emerging Stormwater Treatment Technologies: Technology Assessment Protocol – Ecology (TAPE), Publication No. 11-10-061, 2011 ed. Washington State Department of Ecology, Lacey, WA, pp. 1–73. <<https://fortress.wa.gov/ecy/publications/summarypages/1110061.html>>.

<sup>46</sup> Chemical Technology Assessment Protocol – Ecology

causes wash-out and stranding of aquatic species, algal scour and washout of organic matter, loss of vegetation diversity and habitat quality, and disruption of cues for spawning, egg hatching, and migration. Decreased groundwater recharge reduces water supply for human use and summer base flows in streams, which is critical to water temperature, salmonid use of smaller streams, and the habitat quality of mainstem side channels and wetlands used for spawning, rearing, and flood refuge. **On-site BMPs** seek to reduce runoff volumes and flashiness and increase groundwater recharge by reducing imperviousness and making use of the pervious portions of **development sites** to maximize infiltration and retention of stormwater onsite. Thus, the goal is to apply **on-site BMPs** to **new** impervious surfaces, new pervious surfaces, and **replaced impervious surfaces**, to the maximum extent feasible without causing flooding or erosion impacts.

## ❑ EXEMPTION FROM CORE REQUIREMENT #9

There is a single exemption from the on-site BMP provisions of Core Requirement #9:

### 1. Basic Exemption

A proposed project is exempt if it meets the following criteria:

- a) Less than 2,000 square feet of **new plus replaced impervious surface** will be created, AND
- b) Less than 7,000 square feet of land disturbing activity will occur.

### 2. Flow Control Facility Exemption

Any impervious surface served by an infiltration facility designed in accordance with the flow control facility requirement (Section 1.2.3.1), the facility implementation requirements (Section 1.2.3.2), and the design criteria for infiltration facilities (Section 5.2) is exempt from the on-site BMP requirement.

## 1.2.9.1 ON-SITE BMP REQUIREMENTS OVERVIEW

Projects that are subject to Core Requirement #9 must apply on-site BMPs to either supplement the flow mitigation provided by required flow control facilities or provide flow mitigation where flow control facilities are not required. All such on-site BMPs are detailed in Appendix C of this manual. On-site BMPs must be implemented per the requirements and approach detailed in Sections 1.2.9.2 and 1.2.9.3 below for individual lots and subdivisions or road improvement projects, respectively. As described within Sections 1.2.9.2 and 1.2.9.3, there are two methods of satisfying the on-site BMP requirement:

(1) application of BMPs to the maximum extent feasible using lists specific to the project location, size, and impervious coverage; or (2) using a continuous runoff model to demonstrate compliance with the Low Impact Development (LID) Performance Standard, described below. Demonstrating compliance with the LID Performance Standard using modeling is an optional method for all projects.

### A. TARGET SURFACES

Target surfaces for application of Core Requirement #9 (On-site BMPs) include **new** impervious surfaces, new pervious surfaces, and **replaced impervious surfaces**, not already mitigated with an approved on-site BMP or flow control facility.

Projects that trigger Core Requirement #9 by disturbing 7,000 square feet or more of land, but where new plus replaced impervious is less than 2,000 square feet, may consider basic dispersion as an equal choice for treating the target impervious surfaces alongside full infiltration, limited infiltration, bioretention, and permeable pavement. These projects are not required to meet the minimum BMP implementation requirements described in “Small Lot BMP Requirements” and “Large Lot BMP Requirements,” (Requirement #5 on both lists), and are not required to comply with Core Requirement #6.

Target pervious surfaces must be protected in accordance with the soil amendment BMP as detailed in Appendix C, Section C.2.13.

Projects or threshold discharge areas of projects qualifying as exempt from the flow control facility requirement using the Direct Discharge Exemption in accordance with Section 1.2.3.1 do not have to

achieve the LID performance standard (described below), nor consider bioretention, permeable pavement, and full dispersion. However, target pervious surfaces must be protected in accordance with the soil amendment BMP as detailed in Appendix C, Section C.2.13; and target impervious surfaces must implement full infiltration as detailed in Appendix C, Section C.2.2, Basic Dispersion per Appendix C, Section C.2.4; perforated pipe connection as detailed in Appendix C, Section C.2.11 for roofs, if feasible; and Basic Dispersion per Appendix C, Section C.2.4 for other impervious surfaces, if feasible.

## **B. LOW IMPACT DEVELOPMENT PERFORMANCE STANDARD**

The LID Performance Standard is defined as follows:

For the target surfaces subject to Core Requirement #9, *Stormwater discharges shall match developed discharge durations to pre-developed durations for the range of pre-developed discharge rates from 8% of the 2-year peak flow to 50% of the 2-year peak flow. Assume **historical site conditions** as the predeveloped condition.*

Projects that opt to demonstrate compliance with the LID Performance Standard using a continuous runoff model must protect the soil moisture capacity of new pervious in accordance with the soil amendment BMP as detailed in Appendix C, Section C.2.13.

Projects that are required or opt to model compliance with the LID Performance Standard are still subject to meeting applicable area specific flow control requirements as determined in Core Requirement #3 (Section 1.2.3).

Note that when demonstrating compliance with the LID Performance Standard, on-site BMPs are modeled explicitly, utilizing design infiltration rates as determined and selected per Section 5.2.1. However, when modeling flow control facility sizing, water quality facility sizing, and the peak flow exceptions from the area-specific flow control facility requirement in Sections 1.2.3.1.A, B, and C, these BMPs are not modeled explicitly, but may use modeling credits as allowed and subject to the limitations described in Section 1.2.9.4 and Table 1.2.9.A. On-site BMPs used to demonstrate compliance with the LID Performance Standard must meet the implementation requirements described in Section 1.2.9.4.

## **C. DEMONSTRATING COMPLIANCE WITH THE LID PERFORMANCE STANDARD**

Project applicants may opt to use the LID Performance Standard in lieu of the BMP selection and application requirements described in Sections 1.2.9.2 and 1.2.9.3 below.

## **D. IMPLEMENTATION**

**Four kinds of implementation** for the on-site BMP requirement are described in this section as follows:

1. For **non-subdivision projects making improvements on an individual site/lot**, implementation of this requirement shall be in accordance with the “Individual Lot BMP Requirements” in Section 1.2.9.2, which specify the selection of BMPs and the extent of their application on the site/lot. This required implementation of on-site BMPs must occur as part of the proposed project and provisions must be made for their future maintenance as specified in Section 1.2.9.2. As allowed in Sections 1.2.3 and 1.2.8, credits for the application of on-site BMPs per Table 1.2.9.A may be used to reduce the size of a required flow control facility, reduce the size of a water quality facility, qualify for a flow control facility exception or bypass of target surfaces, or reduce the target surfaces subject to flow control or water quality facility requirements.
2. **Subdivision projects and road improvement projects on sites that are 5 acres or larger AND located outside the Urban Growth Area (UGA)**. This requirement does not apply to the City of Renton.
3. **For subdivision projects**, implementation of on-site BMPs for associated plat infrastructure improvements (e.g., roads, sidewalks) shall be done per Section 1.2.9.4 and must occur concurrently and as part of the proposed project, while BMPs associated with the individual lot improvements may be delayed until construction on the lots. As allowed in Sections 1.2.3 and 1.2.8, credits for the

application of on-site BMPs per Table 1.2.9.A. may be used to reduce the size of a required flow control facility, reduce the size of a water quality facility, qualify for a flow control facility exception or bypass of target surfaces, or reduce the target surfaces subject to flow control or water quality facility requirements. To use these credits, on-site BMPs must be implemented as part of the proposed project and provisions must be made for their future maintenance as specified in Section 1.2.9.4. For subdivision projects proposing to take credit for future implementation of BMPs on individual lots, provisions must be made to ensure their implementation as specified in Section 1.2.9.4.

4. **For road improvement projects**, implementation of on-site BMPs must occur as part of the proposed project. As allowed in Sections 1.2.3 and 1.2.8, credits for the application of on-site BMPs per Table 1.2.9.A may be used to reduce the size of a required flow control facility, reduce the size of a water quality facility, qualify for a flow control facility exception or bypass of target surfaces, or reduce the target surfaces subject to flow control or water quality facility requirements. To use these credits, on-site BMPs must be implemented as part of the proposed project and provisions must be made for their future maintenance as specified in Section 1.2.9.4.

The information presented in this section is organized as follows:

- Section 1.2.9.2, “Individual Lot BMP Requirements”
  - “Small Lot BMP Requirements,” Section 1.2.9.2.1
  - “Large Lot BMP Requirements,” Section 1.2.9.2.2
  - “Large Rural Lot BMP Requirements,” Section 1.2.9.2.3
  - “Implementation Requirements for Individual Lot BMPs,” Section 1.2.9.2.4
- Section 1.2.9.3, “Subdivision and Road Improvement Projects BMP Requirements”
  - “Small Subdivision Project BMP Requirements,” Section 1.2.9.3.1
  - “Small Road Improvement and Urban Road Improvement Projects BMP Requirements,” Section 1.2.9.3.2
  - “Large Rural Subdivision and Large Rural Road Improvement Projects BMP Requirements,” Section 1.2.9.3.3
- Section 1.2.9.4, “Requirements for Use of BMP Credits”
  - “Use of Credits by Subdivision Projects,” Section 1.2.9.4.1
  - “Use of Credits by Projects within Rights-of-Way,” Section 1.2.9.4.2

## 1.2.9.2 INDIVIDUAL LOT BMP REQUIREMENTS

For projects on individual *sites/lots*, on-site BMPs must be selected and applied according to the individual lot BMP requirements in this section. For purposes of applying on-site BMPs to individual *sites/lots*, three categories of requirements have been established based on the size of *site/lot* subject to improvements by the project, and the extent of impervious surface coverage resulting from the project on the *site/lot*. These categories of requirements are as follows:

- Small Lot BMP Requirements (for *sites/lots* <22,000 square feet)
- Large Lot BMP Requirements (for *sites/lots* ≥22,000 square feet)

On-site BMPs must be applied in the order of preference and to the extent specified for the category of individual lot requirements applicable to the proposed project as described in the following subsections.

*Note: for lots created by a previous subdivision, some or all of these requirements may have been addressed by on-site BMPs installed on the lots or within common areas, tracts, or road right-of-way. In some cases, the type of BMPs required for a subdivision lot have already been established by a recorded*

*covenant on the lot. See Section 1.2.9.4 for more information on pre-installed or pre-determined BMPs in subdivisions.*

### 1.2.9.2.1 SMALL LOT BMP REQUIREMENTS

IF the proposed project is on a *site/lot smaller than 22,000 square feet*, THEN on-site BMPs must be applied as specified in the requirements below OR the project must demonstrate compliance with the LID Performance Standard (described in Section 1.2.9.1.B) using an approved continuous runoff model. Projects on small lots are typically single family residential improvements (e.g., homes, outbuildings, etc.) but could be a small commercial development.

1. The feasibility and applicability of full dispersion as detailed in Appendix C, Section C.2.1 must be evaluated for all target impervious surfaces. If feasible and applicable, **full dispersion** must be implemented as part of the proposed project. Typically, small lot full dispersion will be applicable only in subdivisions where enough forest was preserved by tract, easement, or covenant to meet the minimum design requirements for full dispersion in Appendix C, Section C.2.1.1
2. Where full dispersion of target impervious roof areas is not feasible or applicable, or will cause flooding or erosion impacts, the feasibility and applicability of full infiltration as detailed in Appendix C, Section C.2.2 must be evaluated (*note, this will require a soils report for the site/lot*). If feasible and applicable, **full infiltration of roof runoff** must be implemented as part of the proposed project.
3. All target impervious surfaces not mitigated by Requirements 1 and 2 above, must be mitigated to the maximum extent feasible using one or more BMPs from the following list. Use of a given BMP is subject to evaluation of its feasibility and applicability as detailed in Appendix C. Feasible BMPs are required to be implemented. The BMPs listed below may be located anywhere on the *site/lot* subject to the limitations and design specifications for each BMP. These BMPs must be implemented as part of the proposed project.
  - **Full Infiltration** per Appendix C, Section C.2.2, or per Section 5.2, whichever is applicable
  - **Limited Infiltration** per Appendix C, Section C.2.3,
  - **Rain Gardens** per Appendix C, Section C.2.12, sized as follows:
    - Rain gardens have a maximum contributing area of 5,000 square feet.
    - Rain gardens must have a minimum horizontal projected surface area below the overflow that is at least 5% of the area draining to it.
  - **Bioretention** per Appendix C, Section C.2.6, sized as follows:
    - SeaTac regional scale factor equals 1.0: In till soils, provide bioretention volume based on 0.6 inches of equivalent storage depth; in outwash soils provide bioretention volume based on 0.1 inches of equivalent storage depth,
    - SeaTac regional scale factor greater than 1.0: In till soils, provide bioretention volume based on 0.8 inches of equivalent storage depth; in outwash soils, provide bioretention volume based on 0.4 inches of equivalent storage depth,
  - **Permeable Pavement** per Appendix C, Section C.2.7
4. All target impervious surfaces not mitigated by Requirements 1, 2 and 3 above, must be mitigated to the maximum extent feasible using the Basic Dispersion BMP described below. Use of Basic Dispersion is subject to evaluation of its feasibility and applicability as detailed in Appendix C. Feasible BMPs are required to be implemented. Basic Dispersion BMPs may be located anywhere on the *site/lot* subject to the limitations and design specifications cited in Appendix C. The BMP must be implemented as part of the proposed project.
  - **Basic Dispersion** per Appendix C, Section C.2.4,
5. BMPs must be implemented, at minimum, for an impervious area equal to at least 10% of the *site/lot* for *site/lot sizes up to 11,000 square feet* and at least 20% of the *site/lot* for *site/lot sizes between 11,000 and 22,000 square feet*. For projects located in *Zone 1 of the Aquifer Protection Area*, these impervious area amounts must be doubled. Doubling of the minimum impervious area required for

BMP implementation in *Zone 1 of the Aquifer Protection Area* is not required for projects located within 200 feet of a **steep slope hazard area**, **landslide hazard**, or **erosion hazard area**. If these minimum areas are not mitigated using feasible BMPs from Requirements 1, 2, 3, and 4 above, one or more BMPs from the following list are required to be implemented to achieve compliance. These BMPs must be implemented as part of the proposed project.

- **Reduced Impervious Surface Credit** per Appendix C, Section C.2.9,
  - **Native Growth Retention Credit** per Appendix C, Section C.2.10.
  - **Tree Retention Credit** per Appendix C, Section C.2.14
6. The soil moisture holding capacity of **new pervious surfaces** (target pervious surfaces) must be protected in accordance with the soil amendment BMP as detailed in Appendix C, Section C.2.13.
  7. Any proposed connection of roof downspouts to the *local drainage system* must be via a **perforated pipe connection** as detailed in Appendix C, Section C.2.11.

### 1.2.9.2.2 LARGE LOT BMP REQUIREMENTS

IF the proposed project is on a *site/lot* that is **22,000 square feet or larger**, THEN on-site BMPs must be applied as specified in the requirements below OR the project must demonstrate compliance with the LID Performance Standard (described in Section 1.2.9.1.B) using an approved continuous runoff model.

1. The feasibility and applicability of **full dispersion** as detailed in Appendix C, Section C.2.1 must be evaluated for all **target impervious surfaces**. If feasible and applicable for any such surface, then full dispersion must be applied to that surface and implemented as part of the proposed project. Typically, full dispersion will be applicable only on the largest *sites/lots* where there may be enough forest area available within a **threshold discharge area** to meet the 15% ratio of **fully dispersed** impervious area to **native vegetated surface**.
2. Where full dispersion of target impervious roof areas is not feasible or applicable, or will cause flooding or erosion impacts, the feasibility and applicability of **full infiltration of roof runoff** must be evaluated in accordance with Appendix C, Section C.2.2, or Section 5.2, whichever is applicable based on the type of project.<sup>47</sup> If feasible and applicable, full infiltration of roof runoff must be implemented as part of the proposed project.
3. All target impervious surfaces not mitigated by Requirements 1 and 2 above, must be mitigated to the maximum extent feasible using one or more BMPs from the following list. Use of a given BMP is subject to evaluation of its feasibility and applicability as detailed in Appendix C. Feasible BMPs are required to be implemented. The BMPs listed below may be located anywhere on the site/lot subject to the limitations and design specifications for each BMP. These BMPs must be implemented as part of the proposed project.
  - **Full Infiltration** per Section C.2.2, or per Section 5.2, whichever is applicable
  - **Limited Infiltration** per Appendix C, Section C.2.3
  - **Bioretention** per Appendix C, Section C.2.6, sized as follows:
    - SeaTac regional scale factor equals 1.0: In till soils, provide bioretention volume based on 0.6 inches of equivalent storage depth; in outwash soils provide bioretention volume based on 0.1 inches of equivalent storage depth
    - SeaTac regional scale factor greater than 1.0: In till soils, provide bioretention volume based on 0.8 inches of equivalent storage depth; in outwash soils, provide bioretention volume based on 0.4 inches of equivalent storage depth,
  - **Permeable Pavement** per Appendix C, Section C.2.7

<sup>47</sup> For projects subject to Simplified Drainage Review, and for any **single family residential project** subject to Full or Large Project Drainage Review, the design requirements and specifications in Appendix C, Section C.2.2 may be used for evaluation and design of full infiltration on individual lots. For all other projects, full infiltration must be evaluated and designed in accordance with the infiltration facility standards in Section 5.2.



4. All target impervious surfaces not mitigated by Requirements 1, 2, and 3 above, must be mitigated to the maximum extent feasible using the Basic Dispersion BMP described below. Use of Basic Dispersion is subject to evaluation of its feasibility and applicability as detailed in Appendix C. Feasible BMPs are required to be implemented. Basic Dispersion BMPs may be located anywhere on the *site/lot* subject the limitations and design specifications cited in Appendix C. The BMP must be implemented as part of the proposed project.
  - **Basic Dispersion** per Appendix C, Section C.2.4
5. BMPs must be implemented, at minimum, for impervious area amounts defined as follows.
  - For projects that will result in an impervious surface coverage on the buildable portion of the site/lot of less than 45%, on-site BMPs must be applied to 50% of target impervious surfaces.
  - For projects that will result in an impervious surface coverage 45-65% on the buildable portion of the site/lot, on-site BMPs must be applied to 50% of target impervious surfaces reduced by 1.5% for each 1% of impervious surface coverage above 45% (e.g., impervious coverage of 55% results in a requirement of on-site BMPs applied to 35% of target impervious surfaces).
  - For projects that will result in an impervious surface coverage greater than 65% on the buildable portion of the site/lot, on-site BMPs must be applied to 20% of the target impervious surfaces or to an impervious area equal to at least 10% of the site/lot, whichever is less.

The buildable portion of the site/lot is the total area of the site/lot minus any critical areas and minus 200 ft. buffer areas from a **steep slope hazard, landslide hazard, or erosion hazard area**. If these minimum areas are not mitigated using feasible BMPs from Requirements 1, 2, 3, and 4 above, one or more BMPs from the following list are required to be implemented to achieve compliance. These BMPs must be implemented as part of the proposed project.

- **Reduced Impervious Surface Credit** per Appendix C, Section C.2.9,
  - **Native Growth Retention Credit** per Appendix C, Section C.2.10,
  - **Tree Retention Credit** per Appendix C, Section C.2.14.
6. The soil moisture holding capacity of **new pervious surfaces** (target pervious surfaces) must be protected in accordance with the soil amendment BMP as detailed in Appendix C, Section C.2.13.
  7. Any proposed connection of roof downspouts to the *local drainage system* must be via a **perforated pipe connection** as detailed in Appendix C, Section C.2.11.

### 1.2.9.2.3 LARGE RURAL LOT BMP REQUIREMENTS

This requirement does not apply in the City of Renton.

### 1.2.9.2.4 <sup>48</sup>IMPLEMENTATION REQUIREMENTS FOR INDIVIDUAL LOT BMPS

The on-site BMPs required in Sections 1.2.9.2 above must be implemented in accordance with the following requirements:

1. **Implementation Responsibility.** All on-site BMPs required for the *site/lot* must be implemented (installed) by the applicant as part of the proposed project unless they have already implemented as part of a subdivision project that created the lot per Section 1.2.9.4.
2. **Maintenance Responsibility.** Maintenance of all required on-site BMPs is the responsibility of the owner of the *site/lot* served by these BMPs. The responsibility for such maintenance must be clearly assigned to the current and future owners of the *site/lot* through a “declaration of covenant and grant of easement” as described in Requirement 3 below.
3. **Declaration of Covenant and Grant of Easement.** To ensure future maintenance of on-site BMPs and allow for City inspection of BMPs, a declaration of covenant and grant of easement must be

<sup>48</sup> Footnote 48 is not used.

recorded for each *site/lot* that contains on-site BMPs. A draft of the proposed covenant must be reviewed and approved by CED prior to recording. All required covenants must be recorded prior to final construction approval for the proposed project. If the individual *site/lot* contains or will contain flow control or water quality facilities, then the drainage facility covenant in Reference Section 8-J (or equivalent) must be used, and is designed to achieve the following:

- a) Provide **notice** to future owners of the presence of on-site BMPs on the lot and the responsibility of the owner to retain, uphold, and protect the on-site BMPs, features, pathways, limits, and restrictions.
  - b) Include as an **exhibit**, a *recordable version*<sup>49</sup> of the following drainage plan information:
    - The **site plan** showing all developed surfaces (impervious and pervious) and the location and dimensions of on-site BMPs, features, flowpaths (if applicable), limits of native growth retention areas (if applicable), and limits of tree retention areas (if applicable). This plan(s) must be to scale and include *site* topography in accordance with the specifications for such plans in Appendix C, Section C.4.2. Also indicate any areas where City access is excluded (see paragraph 3.d below). *Note: CED may waive this element if, for example, the only on-site BMP proposed is a limit on impervious surface (reduced footprint).*
    - The **on-site BMP design and maintenance details** for each on-site BMP per Appendix C, Section C.4.3. This includes a diagram (if applicable) of each on-site BMP and written maintenance and operation instructions and restrictions for each device, feature, flowpath (if applicable), native growth retention area (if applicable) and impervious surface coverage (if applicable). See Reference Section 8-M for prepared 8-1/2" x 11" maintenance instruction sheets. See City of Renton's Surface Water Design Standards web site: <http://rentonwa.gov/government/default.aspx?id=7122> for downloadable BMP details.

Ensure the exhibits are correctly cross-referenced in the declaration of covenant (the site plan is typically Exhibit A and the design/maintenance details are typically Exhibit B).
  - c) Require that each on-site BMP be operated and **maintained at the owner's expense** in accordance with the above exhibit.
  - d) Grant the City the **right to enter** the property at reasonable times for purposes of inspecting the on-site BMPs and to perform any corrective maintenance, repair, restoration, or mitigation work on the on-site BMPs that has not been performed by the property owner within a reasonable time set by CED, and to charge the property owner for the cost of any maintenance, repair, restoration, or mitigation work performed by the City.
  - e) The right to enter typically applies to the entire property, but occasionally accepts areas on the property agreed upon by the City to be excluded from access. Such areas are to be shown on the site plan described above.
  - f) Prohibit any **modification or removal** of on-site BMPs without written approval from the City. The approval must be obtained from CED and a covenant must be recorded to reflect the changes. Approval will be granted only if equivalent protection in terms of hydrologic performance is provided by other means.
4. **Timing of Implementation.** All required on-site BMPs must be installed prior to final inspection approval of constructed improvements. For BMPs that rely on vegetation, the vegetation must be planted and starting to grow prior to final construction approval.

<sup>49</sup> *Recordable version* means one that meets King County's "Standard Formatting Requirements for Recording Documents" pursuant to RCW 36.18.010 and 65.04.045, available online at [http://your.kingcounty.gov/recelec/records/docs/formatting\\_requirements.pdf](http://your.kingcounty.gov/recelec/records/docs/formatting_requirements.pdf) or from the King County Recorder's Office. These requirements include specifications for such things as page size (8 1/2" x 14" or smaller), font size (at least 8-point), and margin width (1" on all sides of every page if there is a standard cover sheet).

5. **Acceptance standards.** On-site BMPs may be inspected during and/or following construction. Approval of the constructed BMPs will be based on verification that the materials and placement appear to meet the specifications and that the BMPs appear to function as designed. Onsite observations may be used to verify that materials are as specified and material receipts checked. Performance may be evaluated by a *site* visit while it is raining or by testing with a bucket of water or garden hose to check pavement permeability or proper connection to BMP devices/features, etc.
6. **Drainage concerns.** If CED determines that there is a potential for drainage impacts to a neighboring property, then additional measures may be required. Some on-site BMPs may not be appropriate in certain situations, and will not be allowed by CED where they may cause drainage problems.
7. **Geotechnical concerns.** A geotechnical engineer, engineering geologist, or CED must evaluate and approve on-site BMPs that are proposed: (A) on slopes steeper than 15%; (B) within a setback from the top of slope equal to the total vertical height of the slope area that is steeper than 15%; or (C) within 200 feet of a *steep slope hazard area*, *erosion hazard area*, or *landslide hazard*. In addition, CED may require review by a geotechnical engineer or engineering geologist of any proposed BMP that infiltrates, disperses, or directs overflow adjacent to or towards a *steep slope hazard area*, *erosion hazard area*, or *landslide hazard*. CED may also require some projects to route flows down or around such slopes using non-perforated pipes. Some on-site BMPs may not be appropriate for these locations, and will not be allowed by CED where flows may cause erosion problems.
8. **Sewage system concerns.** If CED determines that there is a potential conflict between onsite sewage systems and on-site BMPs, additional measures may be required. Some projects may need to route flows past onsite sewage systems using non-perforated pipes. Also, some on-site BMPs may not be appropriate for these *sites*, and will not be allowed where sewage systems may be impacted.
9. **Engineering Concerns.** While most of the on-site BMPs in Appendix C can be implemented by a non-engineer, there are some that have structural components that must be designed or evaluated by a *civil engineer* or *structural engineer*. When a BMP is proposed that has such components as identified in Section C.2 in Appendix C, CED may require submittal of engineering plans for that component signed and stamped by a *civil engineer* or structural engineer.
10. **Connection to Subsurface Drains.** On-site BMPs **should not** be connected to subsurface drains (e.g., footing drains) as these connections may adversely affect the performance of the BMPs, and in some cases may cause reverse flow into the footing drains during storm events.
11. **Simplified Drainage Plan.** The type, size, and placement of proposed on-site BMPs are to be shown on the **site plan** submitted for the proposed project. This plan must be in accordance with the specifications for such plans outlined in Section C.4 in Appendix C unless otherwise directed by CED.

### 1.2.9.3 SUBDIVISION AND ROAD IMPROVEMENT PROJECTS BMP REQUIREMENTS

For subdivision and road improvement projects, on-site BMPs must be selected and applied according to the subdivision and road improvement projects BMP requirements in this section. For purposes of applying on-site BMPs to these projects, two categories of requirements have been established based on the size of *site/lot* subject to improvements by the project. These categories of requirements are as follows:

- **Small Subdivision Project BMP Requirements**
- **Small Road Improvement and Urban Road Improvement Projects BMP Requirements**

**On-site BMPs must be applied in the order of preference and to the extent specified for the category of requirements applicable to the proposed project as described in the following subsections.**

**1.2.9.3.1 SMALL SUBDIVISION PROJECT BMP REQUIREMENTS**

On-site BMPs for plat infrastructure improvements (e.g., road and sidewalk etc.) of these projects shall meet the requirements described in Section 1.2.9.3.2 below for “Small Road Improvement and Urban Road Improvement Project BMP Requirements.” Implementation of on-site BMPs required for/on the individual lots of the subdivision may be deferred until a permit is obtained for construction on each lot and is therefore optional. However, if the applicant wishes to implement or make provision for implementation of BMPs for the lot improvements as part of the subdivision project for purposes of receiving BMP modeling credits, the individual lot BMP requirements described in Section 1.2.9.2 and implementation requirements for subdivision projects described Section 1.2.9.4.1 must be met.

**1.2.9.3.2 SMALL ROAD IMPROVEMENT AND URBAN ROAD IMPROVEMENT PROJECTS BMP REQUIREMENTS**

IF the proposed project is a **road improvement project** that is **on a site/parcel less than 5 acres in size**, THEN on-site BMPs must be applied as specified in the requirements below.

1. The feasibility and applicability of full dispersion as detailed in Appendix C, Section C.2.1 must be evaluated for all target impervious surfaces. If feasible and applicable, **full dispersion** must be implemented as part of the proposed project. Typically, small lot full dispersion will be applicable only in subdivisions where enough forest was preserved by tract, easement, or covenant to meet the minimum design requirements for full dispersion in Appendix C, Section C.2.1.1.
2. All target impervious surfaces not mitigated by Requirement 1 above, must be mitigated to the maximum extent feasible using one or more BMPs from the following list. Use of a given BMP is subject to evaluation of its feasibility and applicability as detailed in Appendix C. Infeasible BMPs are not required to be implemented. The BMPs listed below may be located anywhere on the **site/lot** subject to the limitations and design specifications for each BMP. These BMPs must be implemented as part of the proposed project.
  - **Full Infiltration** per Section C.2.2, or per Section 5.2, whichever is applicable
  - **Limited Infiltration** per Appendix C, Section C.2.3,
  - **Bioretention** per Appendix C, Section C.2.6, sized as follows:
    - SeaTac regional scale factor equals 1.0: In till soils, provide bioretention volume based on 0.6 inches of equivalent storage depth; in outwash soils provide bioretention volume based on 0.1 inches of equivalent storage depth,
    - SeaTac regional scale factor greater than 1.0: In till soils, provide bioretention volume based on 0.8 inches of equivalent storage depth; in outwash soils, provide bioretention volume based on 0.4 inches of equivalent storage depth,
  - **Permeable Pavement** per Appendix C, Section C.2.7,
3. All target impervious surfaces not mitigated by Requirements 1 and 2 above, must be mitigated to the maximum extent feasible using the Basic Dispersion BMP described below. Use of Basic Dispersion is subject to evaluation of its feasibility and applicability as detailed in Appendix C. Infeasible BMPs are not required to be implemented. Basic Dispersion BMPs may be located anywhere on the **site/lot** subject to the limitations and design specifications cited in Appendix C. The BMPs must be implemented as part of the proposed project.
  - **Basic Dispersion** per Appendix C, Section C.2.4,
4. The soil moisture holding capacity of **new pervious surfaces** (target pervious surfaces) must be protected in accordance with the soil amendment BMP as detailed in Appendix C, Section C.2.13.

**1.2.9.3.3 LARGE RURAL SUBDIVISION AND LARGE RURAL ROAD IMPROVEMENT PROJECTS BMP REQUIREMENTS**

This requirement does not apply in the City of Renton.

## 1.2.9.4 REQUIREMENTS FOR USE OF BMP CREDITS

Projects that implement on-site BMPs, whether required or optional, may use the on-site BMP credits described in this section subject to the implementation requirements in Section 1.2.9.2.4 (for Individual Lots), Section 1.2.9.4.1 (for Subdivision Projects), and Section 1.2.9.4.2 (for Right-of-Way Projects). An alternative approach is to perform continuous runoff modeling per Chapter 3 instead of applying the on-site BMP credits in Table 1.2.9.A.

Two kinds of credits are available. First, any impervious surface served by an on-site BMP that meets the design specifications for that BMP in Appendix C may be modeled as indicated in Table 1.2.9.A. Such credits may be used in the following situations:

1. To compute post-development runoff time series when sizing required flow control facilities.
2. To compute post-development 100-year peak flows when assessing any of the peak flow exceptions from the area-specific flow control facility requirement in Sections 1.2.3.1.A, B, and C.
3. To compute post-development runoff time series when sizing required flow rate based water quality facilities (e.g., bioswales) and to re-characterize post developed land types when sizing volume based water quality facilities (e.g., wetponds, wetvaults).

Use of credits for water quality facility sizing as described above is limited to BMPs that are treating flows downstream from the BMP and tributary to a required water quality facility.

Second, any impervious or nonnative pervious surface that is *fully dispersed* per the full dispersion criteria in Section 1.2.3.2.C is **not** considered a target surface of the area-specific flow control facility requirement (Section 1.2.3.1) or the area-specific water quality facility requirement (Section 1.2.8.1).

<b>TABLE 1.2.9.A ON-SITE BMP SIZING CREDITS<sup>(1)</sup></b>	
<b>On-Site BMP Type</b>	<b>Sizing Credit</b>
Full dispersion	Model fully dispersed surface as forest <sup>(2)</sup>
Full infiltration <sup>(3)</sup>	Subtract impervious area that is fully infiltrated
Limited infiltration	Model tributary impervious surface as 90% impervious, 10% grass
Basic dispersion	Model dispersed impervious surface as 90% impervious, 10% grass
Bioretention	Model tributary impervious surface as 90% impervious, 10% grass
Permeable pavement (unlined with no underdrain)	Model permeable pavement area as 50% impervious, 50% grass. Run-on from other impervious surfaces does not receive a credit.
Grassed modular grid pavement	Model modular grid pavement as all grass
Rainwater harvesting	Credit only allowed via, and as specified in, an approved drainage adjustment that details conditions of use
Vegetated roof with 3 to 8 inches of growing medium	Model vegetated roof area as 50% impervious, 50% grass
Vegetated roof with greater than 8 inches of growing medium	Model vegetated roof area as 50% impervious, 50% pasture
Restricted footprint	Model footprint as restricted (Appendix C, Section C.2.9.2)
Wheel strip driveways	Model credited area as 50% impervious, 50% grass
Minimum disturbance foundation	Model foundation area as 50% impervious, 50% grass
Open grid decking over pervious area	Model deck area as 50% impervious, 50% grass
Native growth retention credit	Model mitigated impervious area as 50% impervious, 50% grass
Perforated pipe connection	None
<p><i>Notes:</i></p> <p>(1) These credits do not apply when determining eligibility for exemptions from Core Requirement #3, Core Requirement #8, or exceptions from the flow control or water quality facility requirements unless otherwise noted in the exemption or exception. When applying modeling credits for flow control facility sizing, infiltrative BMPs tributary to the facility that are included in the modeling scenario (including the permeable pavement element with area reduced to 50% impervious area fraction, or other BMPs (e.g., bioretention, trenches, drywells) treating upstream runoff) must have the infiltration option <i>turned off</i> during the flow routing analysis for facility sizing to avoid double-counting the BMP infiltration benefit. Alternatively, permeable pavement with infiltration turned off may be represented by an impervious area land use element of equivalent area.</p> <p>(2) Surface shall be modeled using the soil type found at that location on the site.</p> <p>(3) For any project subject to Simplified Drainage Review, and for any single family residential project subject to Directed, Full or Large Project Drainage Review, the design requirements and specifications in Appendix C, Section C.2.2 may be used for design of full infiltration on individual lots. For all other projects, including any project where full infiltration is proposed to serve more than one lot, full infiltration must be designed in accordance with infiltration facility standards in Section 5.2.</p>	

#### 1.2.9.4.1 USE OF CREDITS BY SUBDIVISION PROJECTS

If a proposed project is a *subdivision project*,<sup>50</sup> implementation of on-site BMPs for plat infrastructure improvements (e.g., road, sidewalk, or other non-lot improvements) is required concurrent with the subdivision improvements. Implementation of on-site BMPs on the individual lots of the subdivision may be deferred until a permit is obtained for construction on each lot and is therefore optional as part of the subdivision project.

In order to receive the modeling credits (noted above) for on-site BMPs required for plat infrastructure improvements (e.g., road, sidewalk, or other non-lot improvements), and/or for individual lot BMPs where the applicant elects to implement or make provision for implementation of individual lot BMPs as part of

<sup>50</sup> For purposes of applying on-site BMPs, the term *subdivision* or *subdivision project* refers to any project that is a short plat, plat, or binding site plan.

the subdivision project, the following requirements must be met depending on where the BMPs are located on the *site*.

#### A. SUBDIVISION IMPLEMENTATION OF BMPS WITHIN ROAD RIGHT-OF-WAY

These are on-site BMPs installed within public or private road right-of-way as part of the construction of street and drainage improvements for the subdivision. To receive credit for these BMPs, the subdivision project must meet all of the following requirements:

1. The BMPs must serve impervious surface located only within the road right-of-way.
2. The BMPs must be shown on the **site improvement plans** submitted with the engineering plans for the proposed project as specified in Section 2.3.1.2.
3. If the road right-of-way will be privately maintained, provision must be made for future **maintenance** of the BMPs in accordance with Core Requirement #6, Section 1.2.6. As specified in Core Requirement #6, the City will assume maintenance of such BMPs in certain cases.
4. If the City will be assuming maintenance of the BMPs, the BMPs must comply with the drainage facility **financial guarantee and liability requirements** in Core Requirement #7, Section 1.2.7.

#### B. SUBDIVISION IMPLEMENTATION OF BMPS WITHIN DEDICATED TRACTS

These are on-site BMPs installed on or associated with the features (e.g., forest) of common area tracts dedicated by the subdivision. Such BMPs may serve future improvements on lots, common area improvements, or road right-of-way improvements. To receive credit for these BMPs, the subdivision project must meet all of the following requirements:

1. The BMPs must be shown on the **site improvement plans** submitted with the engineering plans for the proposed project as specified in Section 2.3.1.2.
2. Provision must be made for future **maintenance** of the BMPs in accordance with Core Requirement #6, Section 1.2.6. When maintenance by the City is specified by Core Requirement #6, the City will assume maintenance of BMP devices (e.g., dispersion trenches) that are within a tract dedicated to the City for drainage purposes. The City will not assume maintenance of BMPs located in common areas dedicated for purposes other than just drainage (e.g., play areas, parks, etc.). Where City maintenance is specified by Core Requirement #6, the City will assume maintenance for on-site BMP vegetated flow paths that are within an easement that allows for inspection and maintenance by the City. The City maintenance of these vegetated flow paths will be limited to their on-site BMP functionality. All other maintenance shall remain the responsibility of the owner(s).
3. BMPs to be maintained by the City in accordance with Core Requirement #6 must comply with the drainage facility **financial guarantee and liability requirements** in Core Requirement #7, Section 1.2.7.
4. If the BMPs installed within a dedicated tract satisfy some or all of the BMP requirements for individual lots per Section 1.2.9.2, then a **note** must be placed on the **recorded documents** for the subdivision indicating those lots for which BMPs have been provided.

#### C. SUBDIVISION IMPLEMENTATION OF BMPS ON INDIVIDUAL LOTS

These are on-site BMPs installed on a subdivision's proposed lots as part of the subdivision project. For example, the subdivision developer may elect to pre-install some or all of the on-site BMPs required by the individual lot BMP requirements in Section 1.2.9.2. To receive credits for these BMPs, the subdivision project must meet all of the following requirements:

1. The on-site BMPs must be installed and implemented in accordance with the individual lot BMP requirements in Section 1.2.9.2. This includes recording a **declaration of covenant and grant of easement** for each lot with BMPs as specified in Implementation Requirement 3 of Section 1.2.9.2.4.

If not all of the required BMPs are installed on a lot as part of the subdivision project, language must be included in the covenant notifying the future lot owner of additional required BMPs.

2. BMPs to be installed on individual lots as part of the subdivision project must be shown on the **site improvement plans** submitted with the engineering plans for the proposed project as specified in Section 2.3.1.2.

#### **D. SUBDIVISION FUTURE IMPLEMENTATION OF BMPS ON INDIVIDUAL LOTS**

These are on-site BMPs stipulated to be installed on some or all of a subdivision's proposed lots by a declaration of covenant recorded for each such lot. To receive credits for these BMPs, the subdivision project must meet all of the following requirements:

1. Demonstrate through a lot-specific assessment that the on-site BMPs stipulated for each lot are **feasible and applicable** according to the individual lot BMP requirements in Section 1.2.9.2 and the BMP design specifications in Appendix C. This lot-specific assessment must be included in the TIR submitted with engineering plans for the subdivision. The assessment shall include any soils reports, calculations, or other information necessary to select and properly apply BMPs.
2. Record a **declaration of covenant and grant of easement** for each lot stipulating the type or types of BMP being proposed for credit. This covenant must be as specified in Implementation Requirement 3 of Section 1.2.9.2.4, except as follows:
  - a) The **site plan** requirement may be waived depending on the BMPs proposed or may be conceptual, showing only the information necessary to stipulate the type or types of BMP being proposed for credit. For example, if the BMP is full dispersion, the approximate location of future impervious surface and the limits of the "native vegetated flowpath segment" (see Appendix C, Section C.2.1) must be shown. If the BMP is full infiltration, the approximate location of future impervious surface, septic drain field (if applicable), and infiltration devices must be shown. For all other BMPs, the "design and maintenance details" (see Item b below) for each proposed BMP per Appendix C may be sufficient as determined by CED.
  - b) The **on-site BMP design and maintenance details** must include the dimensions of all proposed devices, features, and flowpaths, expressed as unit amounts per square foot of impervious surface served or as a percentage of the lot size or impervious surface created.
  - c) The **notice** to future lot owners must indicate that they are responsible to install the on-site BMP or BMPs stipulated for the lot prior to final inspection approval of constructed lot improvements. Alternative BMPs that provide equivalent performance may be proposed at the time of permit application for proposed lot improvements. In any case, a revised covenant will need to be recorded to reflect the final approved BMPs and site improvement plan(s).
3. If **single family residential lots** are being created, a **note** must be placed on the **recorded documents** for the subdivision indicating the following:

"Single family residences and other improvements constructed on the lots created by this subdivision must implement the flow control best management practices (BMPs) stipulated in the drainage plan declaration of covenant and grant of easement recorded for each lot. Compliance with this stipulation must be addressed in the small project drainage plan submitted for drainage review when application is made for a single family residential building permit for the lot."
4. If **commercial lots** are being created, a **note** must be placed on the **recorded documents** for the subdivision indicating the following:

"Improvements constructed on the lots created by this subdivision must implement the flow control best management practices (BMPs) stipulated in the drainage plan declaration of covenant and grant of easement recorded for each lot. Compliance with this stipulation must be addressed in the engineering plans submitted for drainage review when application is made for a permit to make improvements to the lot."



5. If a **binding site plan** is being created, a **note** must be placed on the **recorded documents** for the subdivision indicating the following:

“Improvements constructed on the lots created by this binding site plan must implement the flow control best management practices (BMPs) stipulated in the drainage plan declaration of covenant and grant of easement recorded for each lot. Compliance with this stipulation must be addressed in the engineering plans submitted for drainage review when application is made for a permit to make improvements to the lot.”

#### **1.2.9.4.2 USE OF CREDITS BY PROJECTS WITHIN RIGHTS-OF-WAY**

If a proposed project is located primarily within an established public or private right-of-way, implementation of on-site BMPs is as required per Section 1.2.9.3. To receive credit for these BMPs, the project must meet all of the following requirements:

1. The BMPs must serve **impervious surface** located only within the right-of-way.
2. If the right-of-way will be privately maintained, provision must be made for future **maintenance** of the BMPs in accordance with Core Requirement #6, Section 1.2.6.
3. If the City will be assuming maintenance of the BMPs, the BMPs must comply with the drainage facility **financial guarantee and liability requirements** in Core Requirement #7, Section 1.2.7.

*(This page intentionally left blank.)*

## 1.3 SPECIAL REQUIREMENTS

This section details the following six special drainage requirements that may apply to the proposed project depending on its location or *site*-specific characteristics:

- “Special Requirement #1: Other Adopted Area-Specific Requirements,” Section 1.3.1
- “Special Requirement #2: Flood Hazard Area Delineation,” Section 1.3.2
- “Special Requirement #3: Flood Protection Facilities,” Section 1.3.3
- “Special Requirement #4: Source Control,” Section 1.3.4
- “Special Requirement #5: Oil Control,” Section 1.3.5
- “Special Requirement #6: Aquifer Protection Area,” Section 1.3.6

### 1.3.1 SPECIAL REQUIREMENT #1: OTHER ADOPTED AREA-SPECIFIC REQUIREMENTS

This manual is one of several adopted regulations in the City of Renton that apply requirements for controlling drainage on an area-specific basis. Other adopted area-specific regulations include requirements that have a more direct bearing on the drainage design of a proposed project. These regulations include the following:

- **Master Drainage Plans (MDPs):** MDPs are comprehensive drainage plans prepared for urban planned developments (UPDs) or other large, complex projects (described in Section 1.1.2.5). Projects covered by a MDP must meet any adopted requirements specific to that plan.
- **Basin Plans (BPs):** The City of Renton adopts basin plans to provide for the comprehensive assessment of resources and to accommodate growth while controlling adverse impacts to the environment. A basin plan may recommend specific land uses, regional capital projects, and special drainage requirements for future development within the basin area it covers.
- **Salmon Conservation Plans (SCPs):** Salmon conservation plans are comprehensive, ecosystem-based plans intended to identify and assess the means to protect and restore salmon habitat through mechanisms such as habitat improvements, regulations, incentives, BMPs, land acquisition, and public education activities. These plans are developed in collaboration with other jurisdictions within a water resource inventory area (WRIA) designated by the state under WAC 173-500-040 and spanning several basins or subbasins.
- **Lake Management Plans:** The City of Renton may adopt lake management plans to provide for comprehensive assessment of resources and to accommodate growth while controlling adverse impacts from nutrient loading to selected lakes. A lake management plan may recommend nutrient control through special drainage and source control requirements for proposed projects within the area it covers.
- **Hazard Mitigation Plan:** The City’s Hazard Mitigation Plan prepared in accordance with RCW 86.12.200 includes information on reducing flood risks.
- **Shared Facility Drainage Plans (SFDPs):** SFDPs are approved by the City of Renton to allow two or more projects to share drainage facilities required by this manual. Projects covered by a SFDP must meet any specific requirements of that plan.

Threshold	Requirement
IF a proposed project is in an area included in an adopted master drainage plan, basin plan, salmon conservation plan, stormwater compliance plan, hazard mitigation plan, lake management plan, or shared facility drainage plan ...	THEN the proposed project shall comply with the drainage requirements of the master drainage plan, basin plan, salmon conservation plan, stormwater compliance plan, hazard mitigation plan, lake management plan, or shared facility drainage plan, respectively.

### Application of this Requirement

The drainage requirements of adopted MDPs, BPs, SCPs, Hazard Mitigation Plan, lake management plans, and SFDPs shall be applied in addition to the drainage requirements of this manual unless otherwise specified in the adopted regulation. Where conflicts occur between the two, the drainage requirements of the adopted area-specific regulation shall supersede those in this manual.

Examples of drainage requirements found in other adopted area-specific regulations include the following:

- More or less stringent flow control
- More extensive water quality controls
- Forest retention requirements
- Infiltration restrictions
- Groundwater recharge provisions
- Discharge to a constructed regional flow control or conveyance facility.

**Adjustments** to vary from the specific drainage requirements mandated by BPs, SCPs, FHMPs, and lake management plans may be pursued through the adjustment process described in Section 1.4 of this manual. Copies of all adopted basin plans, SCPs, Hazard Mitigation Plan, and lake management plans are available from the City of Renton.

Projects covered by SFDPs shall demonstrate that the shared facility will be available by the time the project is constructed and that all onsite requirements are met. Projects covered by a SFDP are still required to provide any onsite controls necessary to comply with drainage requirements not addressed by the shared facility.

## 1.3.2 SPECIAL REQUIREMENT #2: FLOOD HAZARD AREA DELINEATION

**Flood hazard areas** are composed of the 100-year floodplain, zero-rise flood fringe, zero-rise floodway, and FEMA floodway. If a proposed project contains or is adjacent to a **flood hazard area** as determined by CED, this special requirement requires the project to determine those components that are applicable and delineate them on the project's site improvement plans and recorded maps.

Floodplains are subject to inundation during extreme events. The 100-year floodplain, and floodway if applicable, is delineated in order to minimize flooding impacts to new development and to prevent aggravation of existing flooding problems by new development. Regulations and restrictions concerning development within a 100-year floodplain are found in the critical areas code, RMC 4-3-050.

Threshold	Requirement
IF a proposed project contains or is adjacent to a <b>flood hazard area</b> for a river, stream, lake, wetland, closed depression, , or if other City of Renton regulations require study of flood hazards related to the proposed project ...	THEN the 100-year floodplain, and applicable floodway, shall be determined and their boundaries, together with the boundaries of the severe and moderate channel migration hazard area (if applicable), shall be delineated on the site improvement plans and profiles, and on any final subdivision maps prepared for the proposed project.

#### Application of this Requirement

The applicant is required to use the best available floodplain/floodway data when delineating the 100-year floodplain and floodway boundaries on site improvement plans and profiles, and on any final subdivision maps. The **floodplain/floodway delineation** used by the applicant shall be in accordance with RMC 4-3-050 and associated public rules. If floodplain/floodway data and delineation does not exist, then a floodplain/floodway analysis shall be prepared by the applicant as described in Section 4.4.2, "Floodplain/Floodway Analysis."

### 1.3.3 SPECIAL REQUIREMENT #3: FLOOD PROTECTION FACILITIES

Flood protection facilities, such as **levees** and **revetments** require a high level of confidence in their structural integrity and performance. Proper analysis, design, and construction are necessary to protect against the potentially catastrophic consequences if such facilities should fail.

Threshold	Requirement
IF a proposed project will: <ul style="list-style-type: none"> <li>• Rely on an existing flood protection facility (such as a levee or revetment) for protection against hazards posed by erosion or inundation, OR</li> <li>• Modify or construct a new flood protection facility ...</li> </ul>	THEN the applicant shall demonstrate that the flood protection facility, as determined by a licensed professional engineer, conforms with siting, structural stability, environmental, and all other relevant standards cited in the following regulations and documents: <ul style="list-style-type: none"> <li>• Washington State <i>Integrated Streambank Protection Guidelines</i>,</li> <li>• Corps of Engineers <i>Manual for Design and Construction of Levees</i> (EM 1110-2-1913),</li> <li>• RMC 4-3-050 and</li> <li>• Special Requirement #1 (specifically the City Hazard Mitigation Plan)</li> </ul> AND, flood containment levees shall meet or exceed the professional engineering standards summarized in FEMA National Flood Insurance mapping regulations ... (44 CFR, subsection 65.10) or FEMA's Analysis and Mapping Procedures for non-Accredited Levee Systems.

### Application of this Requirement

Conformance with the requirements listed above shall be addressed in the Technical Information Report submitted with the project's engineering plans (see Section 2.3.1.1).

Conformance also requires that certain **easement requirements** (outlined in Section 4.1) be met in order to allow County access to the facility. If the proposed project contains an existing City of Renton flood protection facility or proposes to rely on a City of Renton flood protection facility, the applicant shall provide an easement to the City of Renton consistent with the river protection easement requirements outlined in Section 4.1.

## 1.3.4 SPECIAL REQUIREMENT #4: SOURCE CONTROLS

Water quality source controls prevent rainfall and runoff water from coming into contact with pollutants, thereby reducing the likelihood that pollutants will enter public waterways and violate water quality standards or City stormwater discharge permit limits. A *Stormwater Pollution Prevention Manual* was prepared for citizens, businesses, and industries to identify and implement source controls for activities that often pollute water bodies. The City of Renton provides advice about source control implementation upon request. The City may, however, require mandatory source controls at any time through formal code enforcement if complaints or studies reveal water quality violations or problems.

Threshold	Requirement
IF a proposed project requires a commercial building or commercial <b>site</b> development permit ...	THEN water quality source controls applicable to the proposed project shall be applied as described below in accordance with the <i>King County Stormwater Pollution Prevention Manual</i> and Renton Municipal Code, Title IV.

### Application of this Requirement

When applicable per the *Stormwater Pollution Prevention Manual*, **structural source control measures**, such as car wash pads or dumpster area roofing, shall be applied to the entire **site** containing the proposed project, not just the **project site**. If the applicant is a tenant or lessee for only a portion of the **site**, CED may limit the entire **site** application of structural source controls to only that portion of the **site** occupied or leased by the applicant. All applicable structural source control measures shall be shown on the site improvement plans submitted for engineering review and approval. Other, **nonstructural source control measures**, such as covering storage piles with plastic or isolating areas where pollutants are used or stored, are to be implemented after occupancy and need not be addressed during the plan review process. All commercial, industrial, and multifamily projects (irrespective of size) undergoing drainage review are required to implement applicable source controls.

### Activities That May Result In Structural Improvements

There are a number of activities that may require structures and/or specific drainage configurations in order to protect stormwater and maintain compliance with county code. Roof structures, wheel washes, cement pads, shutoff valves, containment berms and indoor mop sinks are all examples of things that need to be in place prior to commencing the activity. These may require building permits and other approvals prior to construction.

Below are some highlighted activities and the numbered BMP activity sheets in the *Stormwater Pollution Prevention Manual* that provide more detail:

**Commercial Composting**

Structural improvements: paved composting and storage pads, leachate collection system, lined collection ponds, wheel wash system

- A-24 Commercial Composting

**Fueling of Equipment and Vehicles**

Structural improvements: Portland cement pads, roofs, spill control devices, trench drains, oil/water separators

- A-17 Fueling Operations
- A-48 Older Fueling Operations

**Horse Stables**

Structural improvements: Wash racks connected to sanitary sewer or separate infiltration area, manure containment areas

- A-35 Livestock

**Mining of Sand or Gravel**

Structural improvements: Wheel wash system and track-out control, catch basin inserts

- A-41 Wheel Wash System

**Painting, Finishing, and Coating of Vehicles and Equipment**

Structural improvements: Permitted, enclosed paint booths

- A-22 Painting, Finishing, & Coating of Vehicles, Products, & Equipment

**Restaurants and Food Trucks**

Structural improvements: Indoor sinks format and rack washing and mop and wastewater disposal.

- A-8 Storage of Solid and Food Wastes
- A-12 Cleaning of Cooking Equipment

**Outdoor Storage of Erodible Materials (e.g., compost, bark, sand, etc.)**

Structural improvements: Wheel wash system and track-out control, berms, containment areas, covering, catch basin inserts

- A-41 Wheel Wash and Tire Bath Track-Out Control

**Outdoor Storage or Processing of Galvanized Materials**

Structural improvements: Roofs or other covering, stormwater collection and treatment system

- A-21 Manufacturing and Post-Processing of Metal Products

**Storage of Liquid Materials**

Structural improvements: Secondary containment, roofed structures, spill control devices

- A-2 Storage of Liquid Materials in Stationary Tanks
- A-3 Storage of Any Liquid Materials in Portable Containers

**Utility Corridor Maintenance**

Structural improvements: Road stabilization

- A-45 Maintenance of Public & Private Utility Corridors & Facilities

**Washing of Cars, Trucks, and Equipment (not just commercial car washes)**

Structural improvements: Dedicated wash pads, sewer connection, holding tanks, catch basin inserts

- A-13 Vehicle washing

**Wood Treatment and Preserving**

Structural improvements: Paved, contained and covered storage and processing areas

- A-23 Wood Treatment & Preserving

**1.3.5 SPECIAL REQUIREMENT #5: OIL CONTROL**

Projects proposing to develop or redevelop a *high-use site* must provide oil controls in addition to any other water quality controls required by this manual. Such *sites* typically generate high concentrations of oil due to high traffic turnover, onsite vehicle or heavy or stationary equipment use, some business operations, e.g., automotive recycling, or the frequent transfer of liquid petroleum or coal derivative products.

The traffic threshold in the definition above focuses on vehicle turnover per square foot of building area (trip generation) rather than ADT alone because oil leakage is greatest when engines are idling or cooling. In general, all-day parking areas are not intended to be captured by these thresholds except those for diesel vehicles, which tend to leak oil more than non-diesel vehicles. The petroleum storage and transfer stipulation is intended to address regular transfer operations like service stations, not occasional filling of heating oil tanks.

Threshold	Requirement
<p>IF a proposed project:</p> <ul style="list-style-type: none"> <li>• Develops a <i>site</i> that will have <i>high-use site</i> characteristics, OR</li> <li>• Is a <i>redevelopment project</i> proposing \$100,000 or more of improvements to an existing <i>high-use site</i>, OR</li> <li>• Is a <i>redevelopment project</i> that results in new plus replaced pollution generating impervious surfaces of 5,000 square feet or more or new pollution generating pervious surface of <math>\frac{3}{4}</math> acre or more improvements to an existing <i>high-use site</i> ...</li> </ul>	<p>THEN the project must treat runoff from the high-use portion of the <i>site</i> using oil control treatment options from the High-Use menu (described below and detailed in Chapter 6).</p>

**High-Use Menu**

High-use oil control options are selected to capture and detain oil and associated pollutants. The goal of this treatment is no visible sheen on runoff leaving the facility, or less than 10 mg/L total petroleum hydrocarbons (TPH) in the runoff, depending on the facility option used. Oil control options include facilities that are small, handle only a limited tributary area, and require frequent maintenance, as well as facilities that treat larger areas and generally have less frequent maintenance needs. Facility choices include catch basin inserts, linear sand filters, and oil/water separators. See Chapter 6 for specific facility choices and design details.

**Application of this Requirement**

For *high-use sites* located within a larger commercial center, only the impervious surface associated with the high-use portion of the *site* is subject to treatment requirements. If common parking for multiple businesses is provided, treatment shall be applied to the number of parking stalls required for the high-use



business only. However, if the treatment collection area also receives runoff from other areas, the water quality facility must be sized to treat all water passing through it.

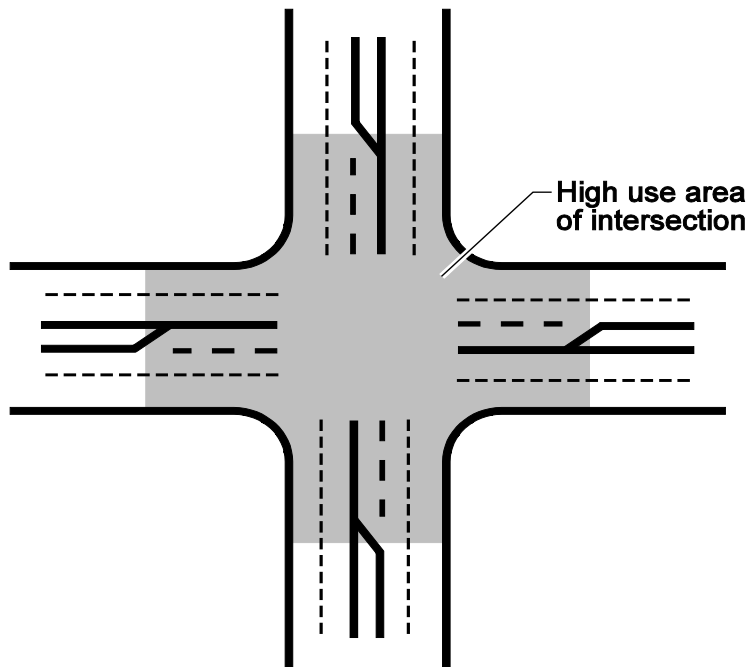
High-use roadway intersections shall treat the intersection itself, plus lanes where vehicles accumulate during the signal cycle, including all lanes, from the beginning of the left turn pocket (see Figure 1.3.5.A below). If no left turn pocket exists, the treatable area shall begin at a distance of 75 feet from the stop line. If runoff from the intersection drains to more than two collection areas that do not combine within the intersection, treatment may be limited to any two of the collection areas. Oil control facilities shall be designed for all flows tributary to the oil control facility including flow from otherwise exempt areas that are not bypassed around the facility.

*Note: For oil control facilities to be located in public road right-of-way and maintained by the City of Renton, only coalescing plate or baffle oil/water separators shall be used unless otherwise approved through an adjustment. Catch basin inserts are not allowed for oil control.*

### **Methods of Analysis**

The traffic threshold for the High-Use menu shall be estimated using information from *Trip Generation*, published by the Institute of Transportation Engineers, from a traffic study prepared by a professional engineer or transportation specialist with experience in traffic estimation, or from documented data from the City.

**FIGURE 1.3.5.A TREATABLE AREAS FOR HIGH-USE ROAD INTERSECTIONS**



## 1.3.6 SPECIAL REQUIREMENT #6: AQUIFER PROTECTION AREA

*Aquifer Protection Area(s)* (APA) are identified in the RMC 4-3-050. If a proposed project is located within the APA, this special requirement requires the project to determine those components that are applicable and delineate them on the project's site improvements plans. Reference Section 15-B includes a map of the City's Aquifer Protection Area, Zones 1 and 2.

Threshold	Requirement
<p>If a proposed project is in Zone 1 of the <b>APA</b> ...</p>	<p>THEN the following drainage facilities are prohibited:</p> <ul style="list-style-type: none"> <li>a. Open facilities such as flow control and water quality treatment ponds, stormwater wetlands and infiltration facilities</li> <li>b. On-site BMPs that rely on infiltration. (On-site BMPs that rely on dispersion are allowed for non-PGIS.)</li> <li>c. Open conveyance systems such as ditches and channels</li> </ul>
<p>If a proposed project is in Zone 2 of the <b>APA</b> ...</p>	<p>THEN the proposed project must comply with the following requirements</p> <ul style="list-style-type: none"> <li>a. Open facilities such as flow control and water quality treatment ponds, stormwater wetlands and infiltration facilities may require a liner in accordance with the design criteria in Section 6.2.4.</li> <li>b. Open conveyance systems such as ditches and channels may require a liner in accordance with Section 1.2.4.3.</li> </ul>

*(This page intentionally left blank.)*

## 1.4 ADJUSTMENT PROCESS

For proposed projects subject to drainage review by the City of Renton this process is provided for the occasions when a project proponent desires to vary from one of the core or special requirements, or any other specific requirement or standard contained in this manual. Proposed adjustments should be approved prior to final permit approval, but they may be accepted up to the time the City approves final construction or accepts drainage facilities for maintenance.

### Types of Adjustments

To facilitate the adjustment process and timely review of adjustment proposals, the following types of adjustments are provided:

- **Standard Adjustments:** These are adjustments of the standards and requirements contained in the following chapters and sections of this manual:
  - Chapter 1, “Drainage Review and Requirements”
  - Chapter 2, “Drainage Plan Submittal”
  - Chapter 3, “Hydrologic Analysis and Design”
  - Chapter 4, “Conveyance System Analysis and Design”
  - Chapter 5, “Flow Control Design”
  - Chapter 6, “Water Quality Design”
  - Appendix A, “Maintenance Requirements for Stormwater Facilities and On-Site BMPs”
  - Appendix B, “Master Drainage Plans”
  - Appendix C, “Simplified Drainage Requirements”
  - Appendix D, “Construction Stormwater Pollution Prevention Standards”

Requests for standard adjustments will be accepted only for permits pending approval or approved permits that have not yet expired.

- **Blanket Adjustments:** This type of adjustment may be established by the City based on approval of any of the above-mentioned adjustments. Blanket adjustments are usually based on previously approved adjustments that can be applied routinely or globally to all projects where appropriate. Blanket adjustments are also used to effect minor changes or corrections to manual design requirements or to add new designs and methodologies to this manual.

### 1.4.1 ADJUSTMENT AUTHORITY

CED shall have full authority to determine if and what type of adjustment is required for any proposed project subject to drainage review by CED. The authority to grant adjustments for such projects is distributed as follows:

- CED shall have full authority to approve or deny adjustments, except those involving outfalls or pump discharges to the Green River between River Mile 6 and SR 18 per Section 1.2.4.2.F and 1.2.4.2.I. CED decisions on those adjustments are subject to approval by the King County Flood Control District.

### 1.4.2 CRITERIA FOR GRANTING ADJUSTMENTS

Adjustments to the requirements in this manual may be granted provided that granting the adjustment will achieve the following:

1. Produce a compensating or comparable result that is in the public interest, AND
2. Meet the objectives of safety, function, appearance, environmental protection, and maintainability based on sound engineering judgment.

Also, the granting of any adjustment that would be in conflict with the requirements of any other City department will require review and concurrence with that department.

### Criteria Exception

If it can be demonstrated that meeting the above criteria for producing a compensating or comparable result will deny reasonable use of a property, approval of the adjustment will require an adjustment **criteria exception** to be approved by the City. An adjustment that requires a criteria exception may be granted following legal public notice of the adjustment request, the proposed decision on the request, and a written finding of fact that documents the following:

1. There are special physical circumstances or conditions affecting the property such that strict application of the criteria for producing a compensating or comparable result would deprive the applicant of all reasonable use of the parcel of land in question, and every effort has been made to find creative ways to meet the intent of the requirement for which the adjustment is sought, AND
2. Granting the adjustment for the individual property in question will not create a significant adverse impact to public health, welfare, water quality, and properties downstream or nearby, AND
3. The adjustment requires the best practicable alternative for achieving the spirit and intent of the requirement in question.

In addition, the written finding of fact must include the following information:

- The current (pre-project) use of the *site*.
- How application of the requirement for which an adjustment is being requested denies reasonable use of the *site* compared to the restrictions that existed under the 2009 *King County Surface Water Design Manual and City of Renton Amendments to the 2009 King County Surface Water Design Manual*.
- The possible remaining uses of the *site* if the criteria exception were not granted.
- The uses of the *site* that would have been allowed under the 2009 *King County Surface Water Design Manual and City of Renton Amendments to the 2009 King County Surface Water Design Manual*.
- A comparison of the estimated amount and percentage of value loss as a result of the requirements of this manual versus the estimated amount and percentage of value loss as a result of requirements that existed under the 2009 *King County Surface Water Design Manual and City of Renton Amendments to the 2009 King County Surface Water Design Manual*.
- The feasibility for the owner to alter the project to apply the requirements of this manual.<sup>51,52</sup>

## 1.4.3 ADJUSTMENT APPLICATION PROCESS

### Standard Adjustments

The application process for standard adjustments is as follows:

- Requests for standard adjustments will be accepted only for permits pending approval or approved permits that have not yet expired.
- The completed adjustment request application forms must be submitted to CED along with sufficient engineering information (described in Chapter 2) to evaluate the request. The application shall note the specific requirement for which the adjustment is sought.
- If the adjustment request involves use of a previously unapproved construction material or construction practice, the applicant should submit documentation that includes, but is not limited to, a record of successful use by other agencies and/or evidence of meeting criteria for quality and performance, such as that for the American Association of State Highway and Transportation Officials (AASHTO) and the American Society of Testing and Materials (ASTM).
- If the adjustment requires a criteria exception, additional engineering or other information may be required by CED to document that denial of reasonable use would occur, that every effort was made to achieve compliance, and that the best practicable alternative will not cause significant adverse impact.
- A fee reduction may be requested if it is demonstrated that the adjustment request requires little or no engineering review.

### Blanket Adjustments

There is no application process for establishing blanket adjustments because they are initiated and issued solely by the City.

---

<sup>51</sup> Footnote 51 is not used.

<sup>52</sup> Footnote 52 is not used.

## 1.4.4 ADJUSTMENT REVIEW PROCESS

All adjustments are governed by the review procedures and time lines set forth by the City. Consistent with these procedures, the general steps of the review process for specific types of adjustments are presented as follows.

### Standard Adjustments

- CED will review the adjustment request application forms and documentation for completeness and inform the applicant in writing as to whether additional information is required from the applicant in order to complete the review. The applicant will also be informed if CED determines that special technical support is required in cases where the adjustment involves a major policy issue or potentially impacts a City drainage facility.
- The CED Development Review Engineer will review and either approve or deny the adjustment request following determination that all necessary information has been received from the applicant.
- If a criteria exception is required for the adjustment, CED will issue a legal public notice of the adjustment request that indicates the director's proposed decision on the request, including the written finding of fact specified in Section 1.4.2. The public notice will include a 15-working-day public comment period within which a request for reconsideration may be made to the CED director as described in Section 1.4.5. Absent a request for reconsideration, the director's decision becomes final after the two week public comment period.
- Approvals of standard adjustments will expire upon expiration of the permit to which they apply.

### Blanket Adjustments

Blanket adjustments may be established at the discretion of CED. Blanket adjustments are established by memorandum based on:

1. Previously approved adjustments and supporting documentation, AND
2. Monitoring results in conjunction with any TAPE or CTAPE results AND
3. Information presenting the need for the blanket adjustment. Typically, blanket adjustments should apply globally to design or procedural requirements and be independent of *site* conditions.

CED must approve creation of a blanket adjustment.

Applicants may use any approved blanket adjustment listed in Reference Section 14, by submitting the form titled "Surface Water Design Manual Requirements/Standards Blanket Adjustment No. \_\_\_\_" to the CED plan reviewer currently reviewing the specific project proposal, but no further approval is required.

## 1.4.5 APPEALS

Any appeals from administrative determinations for variances or adjustments related to the Storm Drainage regulations and codes shall be filed in writing to the Hearing Examiner by any person aggrieved, or by any officer, department, board or bureau of the City affected by such determination per RMC 4-8-110.

*(This page intentionally left blank.)*



---

# CHAPTER 2

## DRAINAGE PLAN SUBMITTAL



### CITY OF RENTON

# SURFACE WATER DESIGN MANUAL

Section	Page
<b>2.1 Plans for Permits and Drainage Review</b>	<b>2-3</b>
2.1.1 Plans Required for Pre-Application Submittal	2-3
2.1.2 Site Plans Required for Drainage Review	2-3
<b>2.2 Plans Required with Construction Permit Application</b>	<b>2-5</b>
2.2.1 Subdivision, PUD, and Binding Site Plans	2-6
2.2.2 Short Subdivisions	2-7
2.2.3 Commercial Site Development	2-7
2.2.4 Single-Family Residential	2-7
2.2.5 Other Permits	2-7
<b>2.3 Drainage Review Plan Specifications</b>	<b>2-9</b>
2.3.1 Engineering Plan Specifications	2-10
2.3.2 Projects in Targeted Drainage Review (TDR)	2-34
<b>2.4 Plans Required After Drainage Review</b>	<b>2-35</b>
2.4.1 Plan Changes After Permit Issuance	2-35
2.4.2 Final Corrected Plan Submittal	2-35
2.4.3 Final Plat, Short Plat, and Binding Site Plan Submittals	2-36

*(This page intentionally left blank.)*

# CHAPTER 2

## DRAINAGE PLAN SUBMITTAL

This chapter details the drainage related submittal requirements for engineering design plans as part of a permit application to the City of Renton Community and Economic Development (CED) Department. The intent of these requirements is to present consistent formats for design plans and the technical support data required to develop the plans. These conventions are necessary to review engineering designs for compliance with City of Renton ordinances and regulations, and to ensure the intent of the plan is easily understood and implemented in the field. Properly drafted design plans and supporting information also facilitate the construction, operation, and maintenance of the proposed system long after its review and approval. When plans comply with the formats and specifications contained herein, they facilitate review and approval with a minimum of time-consuming corrections and resubmittals.

Note that this chapter primarily describes how to submit drainage plans for review—what must be submitted, in what formats, at what times and to what offices. The basic drainage requirements that these plans must address are contained in Chapter 1, “Drainage Review and Requirements.” The specific design methods and criteria to be used are contained in Chapters 3, 4, 5, and 6.

Several key forms used in the plan review process are reproduced in Reference Section 8, “Forms and Worksheets.” The drainage submittal requirements for different types of developments are contained in this chapter with the exception of Master Drainage Plans, which if required, the scope of the requirements will be determined by the Surface Water Utility and will generally follow King County’s Master Drainage Planning for Large or Complex Site Development and requirements. For information on general requirements for any permit type, refer to the City of Renton website or customer information counter at CED.

### Chapter Organization

The information presented in this chapter is organized into four main sections as follows:

- Section 2.1, “Plans for Permits and Drainage Review”
- Section 2.2, “Plans Required with Construction Permit Application”
- Section 2.3, “Drainage Review Plan Specifications”
- Section 2.4, “Plans Required After Drainage Review”

These sections begin on odd pages so the user can insert tabs if desired for quicker reference.

*(This page intentionally left blank)*

## 2.1 PLANS FOR PERMITS AND DRAINAGE REVIEW

CED is responsible for the review of all engineering aspects of private development proposals. Drainage review is a primary concern of engineering design. This section describes the **types of engineered drainage plans** required for engineering review at various permit review stages. *Refer to the City website for other details or requirements, such as the submittal and expiration periods set for each type of permit application, review fees, right-of-way use requirements, and other code requirements.*

### 2.1.1 PLANS REQUIRED FOR PRE-APPLICATION SUBMITTAL

Most projects require some degree of drainage plans or analysis to be submitted for drainage review; the extent of which will depend upon the type of permit, size and type of project, and project vicinity to any critical areas. All proposed developments within the City of Renton have the option to request a free pre-application meeting to gain feedback on development requirements and feasibility prior to formal submittal of any required permit application materials. Subdivisions, PUDs, short plats and binding site plans require **conceptual plans (may be engineered or non-engineered)** be submitted with the pre-application meeting request. Preliminary plans provide general information on the proposal, including location of critical areas, road alignments and right-of-way, *site* topography, building locations, land use information, and lot dimensions. They are used to determine the appropriate drainage conditions and requirements to be applied to the proposal during the drainage review process.

For more information refer to the permit submittal requirements documents that are applicable to the development proposal (available on the City's website and from staff in the pre-application meeting, if held).

### 2.1.2 SITE PLANS REQUIRED FOR DRAINAGE REVIEW

For drainage review purposes, **engineering plans** consist of the following:

1. **Site improvement plans** (see Section 2.3.1.2), which include all plans, profiles, details, notes, and specifications necessary to construct road, drainage, utilities, and off-street parking improvements.
2. A **construction stormwater pollution prevention (CSWPP) plan**, which identifies the measures and BMPs required to prevent the discharge of sediment-laden water and other pollutants associated with construction/*land disturbing activities*. The CSWPP plan includes two component plans: an **erosion and sediment control (ESC) plan** (see Section 2.3.1.3), which addresses prevention of sediment-laden discharges; and a **stormwater pollution prevention and spill (SWPPS) plan** (see Section 2.3.1.4), which addresses prevention of other pollutant discharges.
3. A **technical information report (TIR)** (see Section 2.3.1.1), which contains all the technical information and analysis necessary to develop the site improvement plan and CSWPP plan.

**Projects Under Targeted Drainage Review** usually require engineering plans, except that only certain sections of the technical information report are required to be completed and the site improvement plan may have a limited scope depending upon the characteristics of the proposed project. The scope of these plans should be confirmed during the **pre-application meeting** with CED. For other permits, such as single-family residential permits, the scope of the targeted engineering analysis is usually determined during CED engineering review.

### **Plans Required for Simplified Drainage Review**

*Simplified drainage plans* are a simplified form of site improvement and CSWPP plans (without a TIR or a separate SWPPS plan) that may be prepared by a non-engineer from a set of pre-engineered design details. Simplified drainage plans are only allowed for single family in Simplified Drainage Review but may be required for individual lots created by a subdivision project to show how required on-site BMPs, ESC and SWPPS measures will be applied to future lot construction.

For single-family residential permits, the level and scope of drainage plan requirements are determined by CED during drainage review. Some projects subject to Simplified Drainage Review may also require Targeted Drainage Review.

## 2.2 PLANS REQUIRED WITH CONSTRUCTION PERMIT APPLICATION

This section describes the submittal requirements for construction permit applications at the City of Renton. Required plans for each permit or project type described in Section 2.2.1 through 2.2.5 are summarized in Table 2.2.A. The **timing for submittal** of engineering plans will vary depending on permit type. For commercial, subdivisions, short plats, and other types of construction permits, this submittal usually follows the City's approval of plans described in Section 2.2. For commercial building permits, engineering plans must be submitted as part of the construction permit application, unless otherwise approved by CED. For other permit types the drainage plan requirements are determined during the permit review process.

*Note: If engineering plans are required to be submitted with the construction permit application, they must be accompanied by the appropriate supporting documents (e.g., required application forms, reports, etc.). For more details, see the City's website.*

### Design Plan Certification

All preliminary plans and engineering plans must be stamped by a *civil engineer*.

All land boundary surveys and legal descriptions used for preliminary and engineering plans must be stamped by a **land surveyor** licensed in the State of Washington. Topographic survey data and mapping prepared specifically for a proposed project may be performed by the *civil engineer* stamping the engineering plans as allowed by the Washington State Board of Registration for Professional Engineers and Land Surveyors.

TABLE 2.2.A DRAINAGE PLAN SUBMITTALS			
Type of Permit or Project	Plans Required with Construction Permit Application	Type of Drainage Review	Plans Required for Drainage Review
SUBDIVISIONS, PUDs, AND BINDING SITE PLANS	Plat Map <sup>(5)</sup> Engineering Plans <sup>(1),(2)</sup>	Full or Targeted Drainage Review <sup>(2)</sup>	<ul style="list-style-type: none"> <li>Preliminary Plans<sup>(5)</sup></li> <li>Engineering Plans<sup>(1)</sup></li> </ul>
		Large Project Drainage Review	<ul style="list-style-type: none"> <li>Preliminary Plans<sup>(5)</sup></li> <li>Master Drainage Plan<sup>(4)</sup> or Special Study</li> <li>Engineering Plans<sup>(1)</sup></li> </ul>
SHORT PLATS	Site Plan <sup>(5)</sup>	Simplified Drainage Review	Simplified Drainage Plans <sup>(3)</sup>
	Site Plan <sup>(5)</sup> Preliminary Reports	Simplified Drainage Review AND Targeted Drainage Review <sup>(2)</sup>	<ul style="list-style-type: none"> <li>Simplified Drainage Plans<sup>(3)</sup></li> <li>Engineering Plans<sup>(1)</sup></li> </ul>
		Full or Targeted Drainage Review <sup>(2)</sup>	Engineering Plans <sup>(1)</sup>
COMMERCIAL PERMITS	Engineering Plans <sup>(1),(2)</sup>	Full or Targeted Drainage Review	Engineering Plans <sup>(1)</sup>
SINGLE-FAMILY	Site Plan <sup>(5)</sup> for Single-Family Residential Building Permits	Simplified Drainage Review	Simplified Drainage Plans <sup>(3)</sup>

TABLE 2.2.A DRAINAGE PLAN SUBMITTALS			
Type of Permit or Project	Plans Required with Construction Permit Application	Type of Drainage Review	Plans Required for Drainage Review
RESIDENTIAL BUILDING PERMITS		Simplified Drainage Review AND Targeted Drainage Review <sup>(2)</sup> AND Directed Drainage Review <sup>(6)</sup>	<ul style="list-style-type: none"> <li>• Simplified Drainage Plans<sup>(3)</sup></li> <li>• Engineering Plans<sup>(1)(6)</sup></li> </ul>
		Full or Targeted Drainage Review <sup>(2)</sup>	Engineering Plans <sup>(1)</sup>
OTHER PROJECTS OR PERMITS	Project-specific (contact CED or the City's website)	Full or Targeted Drainage Review <sup>(2)</sup>	Engineering Plans <sup>(1)</sup>
<p><i>Notes:</i></p> <p>(1) Submittal specifications for <b>engineering plans</b> are detailed in Section 2.3.1.</p> <p>(2) Submittal specifications for <b>Targeted Drainage Review</b> are found in Section 2.3.2.</p> <p>(3) Specifications for submittal of <b>Simplified drainage plans</b> are found in Appendix C, <i>Simplified Drainage Requirements</i>.</p> <p>(4) Specifications for submittal of <b>master drainage plans or special studies</b> are found in the King County publication titled <i>Master Drainage Planning for Large or Complex Site Developments</i>.</p> <p>(5) Submittal specifications for these plans are found on the City's website and/or from CED staff in the pre-application meeting.</p> <p>(6) Scope of submittals for <b>Directed Drainage Review</b> is determined by CED staff at the City's Permit Counter and/or during the plan review process. Submittal specifications per Notes 1, 2, and 3.</p>			

## 2.2.1 SUBDIVISION, PUD, AND BINDING SITE PLANS

Applications for proposed subdivision, PUD, and binding site plan projects must include engineered **preliminary plans**, which are used to help determine engineering plan requirements to recommend to the Hearing Examiner. Preliminary plans shall include the following:

1. **A conceptual drainage plan** prepared, stamped, and signed by a *civil engineer*. This plan must show the location and type of the following:
  - a) Existing and proposed flow control facilities
  - b) Existing and proposed water quality facilities
  - c) Existing and proposed conveyance systems.

The level of detail of the plan should correspond to the complexity of the project.

2. **A Level 1 Downstream Analysis** as required in Core Requirement #2 and outlined under "TIR Section 3, Offsite Analysis." This offsite analysis shall be submitted in order to assess potential offsite drainage and water quality impacts associated with development of the project, and to help propose appropriate mitigation of those impacts. A higher level of offsite analysis may be requested by the City prior to preliminary approval, or as a condition of engineering plan submittal. The offsite analysis must be prepared, stamped, and signed by a *civil engineer*.
3. **Survey/topographic information.** The submitted *site* plan and conceptual drainage plan shall include the following:
  - a) Field topographic base map to accompany application (aerial topography allowed with CED permission)
  - b) Name and address of surveyor and surveyor's seal and signature



- c) Notation for field or aerial survey
- d) Datum and benchmark/location and basis of elevation
- e) Location of all critical areas
- f) Contour intervals per the following chart:

Zoning Designation	Contour Intervals
Densities of developed area of over 4 DU per acre	2 feet at less than 15% slope 5 feet at 15% slope or more
Densities of developed area of 4 DU or less per acre	5 feet

## 2.2.2 SHORT SUBDIVISIONS

Applications for proposed short plats<sup>1</sup> require a proposed **site plan** drawn to scale showing geographic features such as adjacent streets, existing buildings, and critical areas if any are known to be present; and a **Level 1 Downstream Analysis**. Site plans are usually engineered, except for projects exempt from drainage review or projects subject to Simplified Drainage Review for the entire project. The specifications for submittal of site plans are outlined on the City's website.

The Level 1 Downstream Analysis is required for all short plats except those meeting the exemptions outlined in Section 1.2.2 or those subject to Simplified Drainage Review for the entire project. A higher level of offsite analysis may be requested by CED prior to preliminary approval, or as a condition of engineering plan submittal.

## 2.2.3 COMMERCIAL SITE DEVELOPMENT

Applications for commercial permits require that **engineering plans** be submitted as part of the building permit application, unless otherwise approved by CED. Most commercial projects will go through Full Drainage Review and require complete engineering plans. Projects that qualify for limited scope engineering design should request Targeted Drainage Review during the pre-application meeting with CED.

## 2.2.4 SINGLE-FAMILY RESIDENTIAL

Applications for single-family residential permits<sup>1</sup> require a non-engineered **site plan** to be submitted. The specifications for site plans are outlined on the City's website.

## 2.2.5 OTHER PERMITS

Other permit applications<sup>1</sup> will require project-specific information. Submittal requirements can be obtained by contacting CED or consulting the City's website.

<sup>1</sup> The specific level of required drainage analysis and design is usually determined during the preliminary drainage review of the plans submitted with the application. The overall plan review process may be expedited if the project is submitted with the appropriate level of detail.

*(This page intentionally left blank.)*

## 2.3 DRAINAGE REVIEW PLAN SPECIFICATIONS

This section presents the specifications and contents required of plans to facilitate drainage review. Most projects subject to **Full Drainage Review** will require engineering plans that include a “technical information report (TIR),” “site improvement plans,” and a “construction stormwater pollution prevention (CSWPP) plan,” which includes an “erosion and sediment control (ESC) plan” and a “stormwater pollution prevention and spill (SWPPS) plan.” For more information on the types of projects subject to Full Drainage Review, see Section 1.1.2.4. Additional information is available at the City’s website and from the staff in the pre-application meeting, if held.

Small projects with specific drainage concerns that are subject to **Targeted Drainage Review** also require engineering plans that include the same elements, except that the TIR may be of limited scope. The site improvement plans, ESC and SWPPS plans may also be of limited scope, but must meet all applicable specifications. For more information on the types of projects subject to Targeted Drainage Review, see Section 1.1.2.2.

Projects subject to **Simplified Drainage Review** may be required to submit “Simplified drainage plans.” These are simplified drainage and erosion control plans that may be prepared by a non-engineer from a set of pre-engineered design details, and which do not require a TIR or a separate SWPPS plan. The *Simplified Drainage Requirements* booklet available at King County Department of Permitting and Environmental Review and appended to this manual (Appendix C) contains the specifications for Simplified drainage plans and details on the Simplified Drainage Review process.

*Note: Projects in Simplified Drainage Review may be required to submit engineering plans if they are also subject to Targeted Drainage Review as determined in Section 1.1.2.2 and Appendix C. Also, short plats in Simplified Drainage Review will be required to submit engineering plans if roadway construction is a condition of preliminary approval.*

Single-family residential projects that do not qualify for Simplified Drainage Review may qualify for **Directed Drainage Review**, which requires a specialized list of submittals (plans, technical reports, etc.) and engineering requirements determined by CED review staff that ensures compliance with all core and special requirements of the SWDM. The scope of the submittal requirement is determined during the initial review of the application. Specifications for the plans and TIR generally follow those described for the other review types but may be reduced in scope or complexity in accordance with CED’s determination.

### Design Plan Certification

All preliminary plans and engineering plans must be stamped by a *civil engineer*.

All land boundary surveys, and legal descriptions used for preliminary and engineering plans must be stamped by a **land surveyor** licensed in the State of Washington. Topographic survey data and mapping prepared specifically for a proposed project may be performed by the *civil engineer* stamping the engineering plans as allowed by the Washington State Board of Registration for Professional Engineers and Land Surveyors.

## 2.3.1 ENGINEERING PLAN SPECIFICATIONS

For drainage review purposes, **engineering plans** must consist of the following:

1. A **TIR** as detailed in Section 2.3.1.1, AND
2. **Site improvement plans** as detailed in Section 2.3.1.2, AND
3. A **CSWPP plan**, which includes an ESC plan as detailed in Section 2.3.1.3 and a SWPPS plan as detailed in Section 2.3.1.4.

**Projects in Targeted Drainage Review** require a limited scope TIR with site improvement plans and a CSWPP plan, as detailed in Section 2.3.2. CED may allow a **modified site improvement plan** for some projects in Targeted Drainage Review (see Section 2.3.2) or where major improvements (e.g., detention facilities, conveyance systems, bridges, road right-of-way improvements, etc.) are not proposed.

### 2.3.1.1 TECHNICAL INFORMATION REPORT (TIR)

The full TIR is a comprehensive supplemental report containing all technical information and analysis necessary to develop the site improvement plan. This report shall contain all calculations, conceptual design analysis, reports, and studies required and used to construct a complete site improvement plan based on sound engineering practices and careful geotechnical and hydrological design. The TIR must be stamped and dated by a *civil engineer*.

The TIR shall contain the following **ten sections**, preceded by a table of contents:

1. Project Overview
2. Conditions and Requirements Summary
3. Offsite Analysis
4. Flow Control, Low Impact Development (LID) and Water Quality Facility Analysis and Design
5. Conveyance System Analysis and Design
6. Special Reports and Studies
7. Other Permits
8. CSWPP Analysis and Design
9. Bond Quantities, Facility Summaries, and Declaration of Covenant
10. Operations and Maintenance Manual.

**Every TIR must contain each of these sections**; however, if a section does not apply, the applicant may simply mark “N/A” and a brief explanation shall be provided. This standardized format allows a quicker, more efficient review of information required to supplement the site improvement plan.

The **table of contents** should include a list of the ten section headings and their respective page numbers, a list of tables with page numbers, and a list of numbered references, attachments, and appendices.

When the TIR package requires **revisions**, the revisions must be submitted in a complete TIR package.

#### □ TIR SECTION 1 PROJECT OVERVIEW

The project overview must provide a general description of the proposal, predeveloped and developed *site* conditions, *site* and *project site* area, size of the improvements, and the disposition of stormwater runoff before and after development. The overview shall identify and discuss difficult *site* parameters, the natural drainage system, and drainage to and from adjacent property, including bypass flows.

The following figures are required:

**Figure 1. TIR Worksheet**

Include a copy of the TIR Worksheet (see Reference Section 8-A).

**Figure 2. Site Location**

Provide a map that shows the general location of the *site*. Identify all roads that border the *site* and all significant geographic features and critical areas (lakes, streams, steep slopes, etc.).

**Figure 3. Drainage Basins, Subbasins, and Site Characteristics**

This figure shall display the following:

1. Show acreage of subbasins.
2. Identify all *site* characteristics.
3. Show existing discharge points to and from the *site*.
4. Show routes of existing, construction, and future flows at all discharge points and downstream hydraulic structures.
5. Use a minimum USGS 1:2400 topographic map as a base for the figure.
6. Show (and cite) the length of travel from the farthest upstream end of a proposed storm system in the development to any proposed flow control facility.

**Figure 4. Soils**

Show the soils within the following areas:

1. The project site
2. The area draining to the site
3. The drainage system downstream of the site for the distance of the downstream analysis (see Section 1.2.2).

Copies of King County Soil Survey **maps** may be used; however, if the maps do not accurately represent the soils for a proposed project (including offsite areas of concern), it is the design engineer's responsibility to ensure that the actual soil types are properly mapped. Soil classification symbols that conform to the *SCS Soil Survey for King County* shall be used; and the equivalent soil type (till, outwash, or wetlands) per the approved stormwater model shall be indicated (see Table 3.2.2.B).

**Projects** will need to evaluate the soils on each lot for applicability of the full infiltration and other low impact on-site BMPs as specified in Core Requirement #9. This soils report, as well as geotechnical investigations necessary for proposed infiltration facilities, shall be referenced in the TIR Overview and submitted under Special Reports and Studies, TIR Section VI. A figure in the required geotechnical report that meets the above requirements may be referenced to satisfy 1, 2, and 3 above.

Projects located in outwash soils may need to provide a **low-permeability liner** or a **treatment liner** for water quality facilities and upstream conveyance ditches, consistent with the specifications for such liners in Section 6.2.4.

## □ TIR SECTION 2 CONDITIONS AND REQUIREMENTS SUMMARY

The intent of this section is to ensure all preliminary approval conditions and applicable requirements pertaining to *site* engineering issues have been addressed in the site improvement plan. All conditions and requirements for the proposed project shall be included.

In addition to the core requirements of this manual, adopted basin plans and other plans as listed in Special Requirement #1 should be reviewed and applicable requirements noted. Additionally, critical area requirements, conditions of plat approval, and conditions associated with development requirements (e.g., conditional use permits, rezones, variances and adjustments, SEPA mitigations, etc.) shall be included.

### ❑ TIR SECTION 3 OFFSITE ANALYSIS

All projects in engineering review shall complete, at a minimum, an Offsite Analysis, except for projects meeting the exemptions outlined in Section 1.2.2. The Offsite Analysis is usually completed as part of the initial permit application and review process, and is to be included in the TIR. *Note: If offsite conditions have been altered since the initial submittal, a new offsite analysis may be required.*

The primary component of the offsite analysis is the **downstream analysis** described in detail below. Upstream areas are included in this component to the extent they are expected to be affected by backwater effects from the proposed project. Other components of the offsite analysis could include, but are not limited to, evaluation of impacts to fish habitat, groundwater levels, groundwater quality, or other environmental features expected to be significantly impacted by the proposed project due to its size or proximity to such features.

#### Levels of Analysis

The offsite analysis report requirements vary depending on the specific *site* and downstream conditions. Each project submittal shall include at least a Level 1 downstream analysis. Upon review of the Level 1 analysis, CED may require a Level 2 or Level 3 analysis. If conditions warrant, additional, more detailed analysis may be required. *Note: Potential impacts upstream of the proposal shall also be evaluated.*

#### Level 1 Analysis

The Level 1 analysis is a qualitative survey of each downstream system leaving a *site*. This analysis is required for all proposed projects and shall be submitted with the initial permit application. Depending on the findings of the Level 1 analysis, a Level 2 or 3 analysis may need to be completed or additional information may be required. If further analysis is required, the applicant may schedule a meeting with CED staff.

#### Level 2 or 3 Analysis

If drainage problems are identified in the Level 1 analysis, a Level 2 (rough quantitative) analysis or a Level 3 (more precise quantitative) analysis may be required to further evaluate proposed mitigation for the problem. CED staff will determine whether a Level 2 or 3 analysis is required based on the evidence of existing or potential drainage problems identified in the Level 1 analysis and on the proposed design of onsite drainage facilities. The Level 3 analysis is required when results need to be as accurate as possible: for example, if the *site* is flat; if the system is affected by downstream controls; if minor changes in the drainage system could flood roads or buildings; or if the proposed project will contribute more than 15 percent of the total peak flow to the drainage problem location. The Level 2 or 3 analysis may not be required if CED determines from the Level 1 analysis that adequate mitigation will be provided.

#### Additional Analysis

Additional, more detailed hydrologic analysis may be required if CED determines that the downstream analysis has not been sufficient to accurately determine the impacts of a proposed project on an existing or potential drainage problem. This more detailed analysis may include a **point of compliance analysis** as detailed in Section 3.3.6.

#### Scope of Analysis

Regardless of the level of downstream analysis required, the applicant shall define and map the study area (Task 1), review resources (Task 2), inspect the study area (Task 3), describe the drainage system and problems (Task 4), and propose mitigation measures (Task 5) as described below.

#### Task 1. Study Area Definition and Maps

**For the purposes of Task 2** below, the study area shall extend downstream one mile (minimum flowpath distance) from the proposed project discharge location and shall extend upstream as necessary to encompass the offsite drainage area tributary to the proposed *project site*. **For the**

**purposes of Tasks 3, 4, and 5**, the study area shall extend downstream to a point on the drainage system where the proposed *project site* constitutes less than 15 percent of the total tributary drainage area, but not less than one-quarter mile (minimum flowpath distance). The study area shall also extend upstream of the *project site* a distance sufficient to preclude any backwater effects from the proposed project.

The offsite analysis shall include a **site map** showing property lines, and the **best available topographical map** (e.g., from CED and Renton topographic map) with the study area boundaries, *site* boundaries, downstream flowpath for a distance of one mile, and potential/existing problems (Task 4) shown. Other maps, diagrams, photographs and aerial photos may be helpful in describing the study area.

## Task 2. Resource Review

To assist the design engineer in preparing an offsite analysis, Renton has gathered information regarding existing and potential flooding, erosion, and water quality problems. For all levels of analysis, all of the resources described below shall be reviewed for existing/potential problems in the study area (*upstream and one mile downstream of the project site*):

- Adopted **basin plans** available at King County DPER, King County DNRP, and CED. For areas where there is no adopted **basin plan**, **Basin Reconnaissance Summary Reports** may be useful.
- Floodplain/floodway (**FEMA**) **maps** available at CED and the library.
- Other **offsite analysis reports** in the same subbasin, if available (check with CED staff).
- **Sensitive Areas Folio** available at King County DPER, King County DNRP, and the library (see also the City's website: <<http://rentonwa.gov/government/default.aspx?id=29885>>) must be used to document the distance downstream from the proposed project to the nearest critical areas.
- <sup>2</sup>U.S. Department of Agriculture, *King County Soils Survey* available at King County DPER and the library.
- **Wetlands Inventory** maps available at CED.
- Washington State Department of Ecology's latest published Clean Water Act **Section 303d list of polluted waters** posted at the following website: <<http://www.ecy.wa.gov/programs/wq/303d/currentassessmt.html>>.
- **City of Renton Erosion Maps and Landslide Maps.**

Potential/existing problems identified in the above documents shall be documented in the **Drainage System Table** (see Reference Section 8-B) as well as described in the text of the **Level 1 Downstream Analysis Report**. If a document is not available for the *site*, note in the report that the information was not available as of a particular date. If necessary, additional resources are available from King County, the Washington State Department of Fisheries and Wildlife (WDFW), the State Department of Ecology (Ecology), the United States Army Corps of Engineers (Corps), and the public works departments of other municipalities in the vicinity of the proposed *project site*.

## Task 3. Field Inspection

The design engineer shall physically inspect the existing on- and offsite drainage systems of the study area for each discharge location. Specifically, he/she shall investigate any evidence of the following existing or potential problems and drainage features:

### Level 1 Inspection:

1. Investigate any problems reported or observed during the resource review.
2. Locate all existing/potential constrictions or lack of capacity in the existing drainage system.
3. Identify all existing/potential downstream drainage problems as defined in Section 1.2.2.1.
4. Identify existing/potential overtopping, scouring, bank sloughing, or sedimentation.

<sup>2</sup> Footnote 2 is not used.

5. Identify significant destruction of aquatic habitat or organisms (e.g., severe siltation, bank erosion, or incision in a stream).
6. Collect qualitative data on features such as land use, impervious surfaces, topography, and soil types.
7. Collect information on pipe sizes, channel characteristics, drainage structures, and relevant critical areas (e.g., wetlands, streams, steep slopes).
8. Verify tributary basins delineated in Task 1.
9. Contact neighboring property owners or residents in the area about past or existing drainage problems, and describe these in the report (optional).
10. Note the date and weather conditions at the time of the inspection.

**Level 2 or 3 Inspection:**

1. Perform a Level 1 Inspection.
2. Document *existing site conditions* (approved drainage systems or pre-1979 aerial photographs) as defined in Core Requirement #3.
3. Collect quantitative field data. For Level 2, conduct rough field survey using hand tape, hand level, and rod; for Level 3, collect field survey profile and cross-section topographic data prepared by an experienced surveyor.

**Task 4. Drainage System Description and Problem Descriptions**

Each drainage system component and problem shall be addressed in the offsite analysis report in three places: on a map (Task 1), in the narrative (Task 4), and in the *Offsite Analysis Drainage System Table* (see Reference Section 8-B).

**Drainage System Descriptions:** The following information about drainage system components such as pipes, culverts, bridges, outfalls, ponds, tanks, and vaults shall be included in the report:

1. Location (corresponding map label and distance downstream/upstream from *site* discharge)
2. Physical description (type, size, length, slope, vegetation, and land cover)
3. Problems including copies of any relevant drainage complaints
4. Field observations.

**Problem Descriptions:** All existing or potential drainage and water quality problems (e.g., ponding water, high/low flows, siltation, erosion, listed water bodies, etc.) identified in the resource review or field inspection shall be described in the offsite analysis. These descriptions will help in determining if such problems require special attention per Core Requirement #2 (see Section 1.2.2.1) because they are one of three defined drainage problem types or one of seven defined water quality problem types. Special attention may include more analysis, additional flow control, or other onsite or offsite mitigation measures as specified by the problem-specific mitigation requirements set forth in Sections 1.2.2.2 and 1.2.2.3.

The following information shall be provided for each existing or potential **drainage problem**:

1. Description of the problem (ponding water, high or low flows, siltation, erosion, slides, etc.).
2. Magnitude of or damage caused by the drainage problem (siltation of ponds, dried-up ornamental ponds, road inundation, flooded property, flooded building, flooded septic system, significant destruction of aquatic habitat or organisms).
3. General frequency and duration of drainage problem (dates and times the problem occurred, if available).



4. Return frequency of storm or flow (cfs) of the water when the problem occurs (optional for Level 1 and required for Levels 2 and 3). *Note: A Level 2 or 3 analysis may be required to accurately identify the return frequency of a particular downstream problem; see Section 3.3.3.*
5. Water surface elevation when the problem occurs (e.g., elevation of building foundation, crest of roadway, elevation of septic drainfields, or wetland/stream high water mark).
6. Names and concerns of involved parties (optional for all levels of analysis).
7. Current mitigation of the drainage problem.
8. Possible cause of the drainage problem.
9. Whether the proposed project is likely to aggravate (increase the frequency or severity of) the existing drainage problem or create a new one based on the above information. For example, an existing erosion problem should **not** be aggravated if Durational flow control is already required in the region for the design of onsite flow control facilities. Conversely, a downstream flooding problem inundating a home every 2 to 5 years will likely be aggravated if only **Peak Flow Control** is being applied in the region. See Section 1.2.3.1 for more details on the effectiveness of flow control standards in addressing downstream problems.

The following information shall be provided for each existing or potential **water quality problem**:

1. Description of the problem as documented by the State, County, or City in the problem's listing. This should include the pollutant or pollutants of concern, the nature or category of the listing, and any other background information provided in the listing.
2. Flow path distance downstream of the *project site* and percentage of area draining to the problem that the *project site* occupies.
3. Possible or probable cause of the water quality problem.
4. Any current mitigation of the water quality problem.

#### **Task 5. Mitigation of Existing or Potential Problems**

For any existing or potential offsite **drainage problem** determined to be one of the three defined problem types in Section 1.2.2.1, the design engineer must demonstrate that the proposed project neither aggravates (if existing) nor creates the problem as specified in the drainage problem-specific mitigation requirements set forth in Section 1.2.2.2. The engineer must review each relevant drainage complaint found and include a narrative explaining how each complaint problem is addressed or mitigated. Actual copies of the relevant complaints must be included in the Analysis. To meet these requirements, the proposed project may need to provide additional onsite flow control as specified in Table 1.2.3.A (see also Section 3.3.5), or other onsite or offsite mitigation measures as described in Section 3.3.5.

For any existing or potential **water quality problem** determined to be one of the seven defined water quality problem types in Section 1.2.2.1, the design engineer must document how the applicable water quality problem-specific mitigation requirement in Section 1.2.2.3 will be met.

### **□ TIR SECTION 4 FLOW CONTROL, LOW IMPACT DEVELOPMENT (LID) AND WATER QUALITY FACILITY ANALYSIS AND DESIGN**

#### **Existing Site Hydrology (Part A)**

This section of the TIR shall include a discussion of assumptions and *site* parameters used in analyzing the existing *site* hydrology.

The acreage, soil types, and land covers used to determine existing flow characteristics, along with basin maps, graphics, and exhibits for each subbasin affected by the development, shall be included.

**The following information must be provided on a topographical map:**

1. Delineation and acreage of areas contributing runoff to the *site*
2. Flow control facility and BMP location(s)
3. Outfall(s)
4. Overflow route(s).

The scale of the map and the contour intervals must be sufficient to determine the basin and subbasin boundaries accurately. The direction of flow, the acreage of areas contributing drainage, and the limits of development shall all be indicated on the map.

Each subbasin contained within or flowing through the *site* shall be individually labeled and parameters for the approved stormwater model referenced to that subbasin.

All natural streams and drainage features, including wetlands and depressions, must be shown. Rivers, closed depressions, streams, lakes, and wetlands must have the 100-year floodplain (and floodway where applicable) delineated as required in Special Requirement #2 (see Section 1.3.2) and by the critical areas requirements in RMC 4-3-050.

**Developed Site Hydrology (Part B)**

This section shall provide narrative, mathematical, and graphical presentations of parameters selected and values used for the developed *site* conditions, including acreage, soil types and land covers, roadway layouts, and all constructed drainage facilities and any required on-site BMPs.

Developed subbasin areas and flows shall be clearly depicted on a map and cross-referenced to computer printouts or calculation sheets. Relevant portions of the calculations shall be highlighted and tabulated in a listing of all developed subbasin flows.

All maps, exhibits, graphics, and references used to determine developed *site* hydrology must be included, maintaining the same subbasin labeling as used for the existing *site* hydrology whenever possible. If the boundaries of the subbasin have been modified under the developed condition, the labeling should be modified accordingly (e.g., Subbasin “Am” is a modified version of existing Subbasin “A”).

**Performance Standards (Part C)**

The design engineer shall include brief discussions of the following:

- The applicable **area-specific flow control facility standard** determined from the Flow Control Applications Map per Section 1.2.3.1, any modifications to the standard to address onsite or offsite drainage conditions, and applicable **on-site BMP requirements** determined from Section 1.2.3.3 and Core Requirement #9;
- The applicable **conveyance system capacity standards** per Section 1.2.4; and
- The applicable **area-specific water quality treatment menu** determined from the Water Quality Applications Map per Section 1.2.8.1, and any applicable special requirements for **source control** or **oil control** determined from Sections 1.3.4 and 1.3.5.

**Flow Control System (Part D)**

This section requires:

- An **illustrative sketch** of the flow control facility (or facilities), required on-site BMPs, and appurtenances. The facility sketch (or sketches) must show basic measurements necessary to calculate the storage volumes available from zero to the maximum head, all orifice/restrictor sizes and head relationships, control structure/restrictor orientation to the facility, and facility orientation on the *site*. The on-site BMP sketch (or sketches) must show basic measurements and dimensions, orientation on the *site*, flowpath lengths, etc.
- The applicant shall include all **supporting documentation** such as computer printouts, calculations, equations, references, storage/volume tables, graphs, soils data, geotechnical reports and any other

aides necessary to clearly show results and methodology used to determine the storage facility volumes and on-site BMP applications.

- **Facility documentation** files, flow duration comparison files, peaks files, return frequency or duration curves, etc., developed with the approved model shall be included to verify the facility meets the performance standards indicated in Part C.
- The **volumetric safety factor** used in the design shall be clearly identified, as well as the reasoning used by the design engineer in selecting the safety factor for this project.
- If **on-site BMP credits** are used as allowed in Core Requirement #9, documentation must be provided, explaining how the credits will be used and how the criteria for use of credits will be met.
- If the flow control system is an infiltration facility, the soils data, groundwater mounding analysis, and other calculations used to determine the **design infiltration rate** shall be provided.
- **On-site BMP infeasibility** discussion and supporting documentation shall also be included in Part D.

### Water Quality System (Part E)

This section requires an **illustrative sketch** of the proposed water quality facility (or facilities), source controls, oil controls, and appurtenances. This sketch (or sketches) of the facility, source controls, and oil controls must show basic measurements and dimensions, orientation on the *site*, location of inflow, bypass, and discharge systems, etc.

The applicant shall also include all **supporting documentation** such as computer printouts, calculations, equations, references, and graphs necessary to show the facility was designed and sized in accordance with the specifications and requirements in Chapter 6. If the **water quality credit option** is used as allowed in Section 6.1.3, documentation must be provided, identifying the actions that will be taken to acquire the requisite credits.

## ☐ TIR SECTION 5 CONVEYANCE SYSTEM ANALYSIS AND DESIGN

This section shall present a detailed analysis of any existing conveyance systems, and the analysis and design of the proposed stormwater collection and conveyance system for the development. This section also includes any analysis required for the design of bridges to convey flows and pass sediments and debris per Section 4.4.3. Analysis information should be presented in a clear, concise manner that can be easily followed, checked, and verified. All pipes, culverts, catch basins, channels, swales, and other stormwater conveyance appurtenances must be clearly labeled and correspond directly to the engineering plans.

The **minimum information** included shall be pipe flow tables, flow profile computation tables, nomographs, charts, graphs, detail drawings, and other tabular or graphic aides used to design and confirm performance of the conveyance system.

Verification of capacity and performance must be provided for each element of the conveyance system. The analysis must show design velocities and flows for all drainage facilities within the development, as well as those offsite that are affected by the development. If the final design results are on a computer printout, a separate summary tabulation of conveyance system performance shall also be provided.

## ☐ TIR SECTION 6 SPECIAL REPORTS AND STUDIES

Some *site* characteristics, such as steep slopes or wetlands, pose unique road and drainage design problems that are particularly sensitive to stormwater runoff. As a result, CED may require the preparation of special reports and studies that further address the *site* characteristics, the potential for impacts associated with the development, and the measures that would be implemented to mitigate impacts. Special reports shall be prepared by people with expertise in the particular area of analysis. **Topics of special reports** may include any of the following:

- Floodplain delineation in accordance with Section 1.3.2
- Flood protection facility conformance in accordance with Section 1.3.3
- Critical areas analysis and delineation
- Geotechnical/soils (soils documentation supporting on-site BMP design, infiltration rate determination and infeasibility conclusions may also be located in TIR Section 6)
- Groundwater, including groundwater mounding analyses required for infiltration design
- Slope protection/stability
- Erosion and deposition
- Geology
- Hydrology
- Fluvial geomorphology
- Anadromous fisheries impacts
- Water quality
- Structural design
- Structural fill
- Aquifer Protection Areas

#### ☐ TIR SECTION 7 OTHER PERMITS

Construction of road and drainage facilities may require additional permits from other agencies for some projects. These additional permits may contain more restrictive drainage plan requirements. This section of the TIR should provide the titles of any other permits, the agencies requiring the other permits, and the permit requirements that affect the drainage plan. Examples of other permits are listed in Section 1.1.3. If a UIC well registration is required, a copy must be provided.

#### ☐ TIR SECTION 8 CSWPP PLAN ANALYSIS AND DESIGN

This section of the TIR should include the analysis and design information used to prepare the required **construction stormwater pollution prevention (CSWPP) plan**. This information should be presented in two parts associated with the CSWPP plan's two component plans, the erosion sediment control (ESC) plan (Part A) and the stormwater pollution prevention and spill control (SWPPS) plan (Part B). See Sections 2.3.1.3 and 2.3.1.4 for plan specifications and contents.

##### **ESC Plan Analysis and Design (Part A)**

This section must include all hydrologic and hydraulic information used to analyze and design the erosion and sediment control measures, including final *site* stabilization measures. The TIR shall explain how proposed ESC measures comply with the *Erosion and Sediment Control Standards* in Appendix D and show compliance with the implementation requirements of Core Requirement #5, Section 1.2.5.

Part A must include the following:

1. Provide sufficient information to **justify** the overall ESC plan and the choice of individual ESC measures. At a minimum, there shall be a discussion of each of the measures specified in Section 1.2.5 and their applicability to the proposed project.
2. Include all **hydrologic and hydraulic information** used to analyze and size the ESC facilities shown in the engineering plans. Describe the methodology, and attach any graphics or sketches used to size the facilities.
3. Identify areas with a particularly **high susceptibility to erosion** because of slopes or soils, as well as areas to be protected for existing and proposed on-site BMPs. Discuss any special measures taken to protect these areas as well as any special measures proposed to protect water resources on or near the *site*.

4. Identify any ESC recommendations in any of the **special reports** prepared for the project. In the project geotechnical report supporting on-site BMP design, provide recommendations to address mitigation of on-site BMP areas impacted by erosion and/or sedimentation during construction. If these special reports' recommendations are not included in the ESC plan, provide justification.
5. If proposing **exceptions or modifications** to the standards detailed in the *Erosion and Sediment Control Standards* in Appendix D, clearly present the rationale. If proposing techniques or products different from those detailed in the *ESC Standards*, provide supporting documentation so the City can determine if the proposed alternatives provide similar protection.

### SWPPS Plan Design (Part B)

The **stormwater pollution prevention and spill control plan** must identify all activities that could contribute pollutants to surface and storm water during construction. This section of the TIR must provide sufficient information to justify the selection of specific stormwater pollution prevention (SWPPS) BMPs proposed to be applied to the pollution-generating activities that will occur with construction of the proposed project. BMPs applicable to such activities are found in the *Construction Stormwater Pollution Prevention and Spill Control (CSWPP) Standards* (Appendix D) and the *King County Stormwater Pollution Prevention Manual* (viewable at <<http://www.kingcounty.gov/environment/water-and-land/stormwater/documents/pollution-prevention-manual.aspx>>) adopted pursuant to RMC 4-6-030.

*At a minimum, there shall be a discussion of each anticipated pollution-generating activity and the pollution prevention BMPs selected to address it. If there are any calculations required for the selected BMP, include those in the discussion. If an alternative BMP or major modification to one of the City's standard BMPs will be used, a written request must be submitted for review and approval, detailing how the alternative will work. An "Alternative BMP Request Form" is available in the Stormwater Pollution Prevention Manual.*

**Updates or revisions** to the SWPPS plan may be requested by CED at any time during project construction if CED determines that pollutants generated on the construction site have the potential to contaminate surface, storm, or ground water.

The SWPPS plan shall also **discuss the receiving waters**, especially if the receiving water body is listed on the **303d list**. Information must be provided that shows the plan meets **TMDL requirements**. Discuss the 303(d) listed pollutant generated or used onsite and any special handling requirements or BMPs.

## □ TIR SECTION 9

### BOND QUANTITIES, FACILITY SUMMARIES, AND DECLARATION OF COVENANT

#### Bond Quantities Worksheet

Each plan submittal requires a construction quantity summary to establish appropriate bond amounts. Using the *Site Improvement Bond Quantities Worksheet* furnished by CED (see the City's website), the design engineer shall separate existing right-of-way and erosion control quantities from other onsite improvements. In addition, the design engineer shall total the amounts based on the unit prices listed on the form.

Drainage facilities for single-family residential building permits, which are normally not bonded, shall be constructed and approved prior to finalization of the permit.

#### Flow Control and Water Quality Facility Summary Sheet and Sketch

Following approval of the plans, a *Flow Control and Water Quality Facility Summary Sheet and Sketch* (see Reference Section 8-D) shall be submitted along with an 8<sup>1/2</sup>" x 11" plan sketch for each facility proposed for construction. The plan shall show a north arrow, the tract, the facility access road, the extent of the facility, and the control structure location. The approximate street address shall be noted. At project completion, the Summary Sheet and Sketch shall be updated in the Final Corrected TIR to reflect the completed project (see Section 2.4.2).

### **Declaration of Covenant for Privately Maintained Flow Control and WQ Facilities**

Any declaration of covenant and grant of easement required for proposed flow control and water quality facilities per Section 1.2.6 must be included here for **review and approval before recording**. The necessary covenant exhibits, and maintenance instructions associated with the facility type (see Reference Section 5), shall be included with the declaration of covenant. **After approval by CED**, the declaration of covenant and grant of easement must be signed and recorded at the office of King County Records and Elections before finalization of any permit. A copy of the recorded document shall be included in the Final Corrected TIR (see Section 2.4.2).

### **Declaration of Covenant for Privately Maintained On-Site BMPs**

Any declarations of covenant and grant of easement required for proposed on-site BMPs per Core Requirement #9 must be included here for **review and approval before recording**. The necessary covenant exhibits, and maintenance instructions associated with the on-site BMP type (see Reference Section 5), shall be included with the declaration of covenant. **After approval by CED**, all such documents must be signed and recorded at the office of King County Records and Elections before finalization of any permit. A copy of the recorded document shall be included in the Final Corrected TIR (see Section 2.4.2) or otherwise provided to the CED if no TIR was required.

## **❑ TIR SECTION 10 OPERATIONS AND MAINTENANCE MANUAL**

For each flow control and water quality facility and/or BMP that is to be privately maintained, and for those that have special non-standard features, the design engineer shall prepare an operations and maintenance manual. The manual should be simply written and should contain a brief description of the facility or BMP, what it does, and how it works. In addition, the manual shall include a copy of the *Maintenance Requirements for Flow Control, Conveyance, and WQ Facilities* (see Appendix A) and provide an outline of maintenance tasks and the recommended frequency each task should be performed. This is especially important for on-site BMP and water quality facilities where proper maintenance is critical to facility performance. For this reason, most of the flow control facility designs in Chapter 5 and the water quality facility designs in Chapter 6 include “maintenance considerations” important to the performance of each facility. BMP maintenance instructions by BMP type, prepared in 8-1/2" x 11" size for inclusion in TIRs and declarations of covenant, are also provided in Reference Section 5.

### **2.3.1.2 SITE IMPROVEMENT PLAN**

Site improvement plans shall portray design concepts in a clear and concise manner. The plans must present all the information necessary for persons trained in engineering to review the plans, as well as those persons skilled in construction work to build the project according to the design engineer’s intent. Supporting documentation for the site improvement plans must also be presented in an orderly and concise format that can be systematically reviewed and understood by others.

#### **Survey Datum and Precision (RC)**

The horizontal component of all surveys shall have as its coordinate base: The North American Datum of 1983/91. All horizontal control for projects must be referenced to or in conjunction with a minimum of two of the City of Renton’s Survey Control Network monuments. The source of the coordinate values used will be shown on the survey drawing per RCW 58.09.070. The horizontal component of all surveys shall meet or exceed the closure requirements of WAC 332-130-060. The control base lines for all surveys shall meet or exceed the requirements for a Class A survey revealed in Table 2 of the Minimum Standard Detail Requirements for ALTA/ACSM Land Title Surveys jointly established and adopted by ALTA and ACSM in 1992 or comparable classification in future editions of said document. The angular and linear closure and precision ratio of traverses used for survey control shall be revealed on the face of the survey drawing, as shall the method of adjustment.

The horizontal component of the control system for surveys using global positioning system methodology shall exhibit at least 1 part in 50,000 precision in line length dependent error analysis at a 95 percent confidence level and performed pursuant to Federal Geodetic Control Subcommittee Standards for GPS control surveys as defined in Geometric Geodetic Accuracy Standards & Specifications for Using GPS

Relative Positioning Techniques dated August 1, 1989 or comparable classification in future editions of said document. The vertical component of all surveys shall be based on NAVD 1988, the North American Vertical Datum of 1988, and tied to at least one of the City of Renton Survey Control Network benchmarks. If there are two such benchmarks within 3000 feet of the project site a tie to both shall be made. The benchmark(s) used will be shown on the drawing. If a City of Renton benchmark does not exist within 3,000 feet of a project, one must be set on or near the project in a permanent manner that will remain intact throughout the duration of the project. Source of elevations (benchmark) will be shown on the drawing, as well as a description of any bench marks established. See the *City of Renton Drafting Standards*.

The site improvement plans consist of all the plans, profiles, details, notes, and specifications necessary to construct road, drainage structure, and off-street parking improvements. Site improvement plans include the following:

- A **base map** (described below), and
- **Site plan and profiles** (described below).

*Note: Site improvement plans must also include grading plans if onsite grading extends beyond the roadway.*

### **Modified Site Improvement Plan**

CED may allow a modified site improvement plan for some projects in Targeted Drainage Review (see Section 2.3.2) or Directed Drainage Review, or where major improvements (e.g., detention facilities, conveyance systems, bridges, road right-of-way improvements, etc.) are not proposed. The modified site improvement plan must:

1. Be drawn on a 11" x 17" or larger sheet,
2. Accurately locate structure(s) and access, showing observance of the setback requirements given in this manual, the critical areas code (RMC 4-3-050), or other applicable documents,
3. Provide enough information (datum, topography, details, notes, etc.) to address issues as determined by CED.

## **□ GENERAL PLAN FORMAT**

Site improvement plans should use *City of Renton Drafting Standards* as appropriate, and must include *Standard Plan Notes* (see Reference Section 7). *Each* plan must follow the general format detailed below:

1. Plan sheets and profile sheets, or combined **plan and profile sheets**, specifications, and detail sheets as required shall be on 22-inch by 34-inch sheets (22" x 34"). Right-of-way improvements must be on 22-inch by 34-inch sheets (22" x 34"). Original sheets shall be archive quality reproducibles, Mylar, or equal.
2. **Drafting details** shall generally conform to *King County Standard Map Symbols* (see <http://www.kingcounty.gov/~media/transportation/kcdot/roads/engineering/documents/CADDFiles/2014KCDOTCADDStandardsManual.ashx>) with standard text height of 0.125" (1/8"). Existing features shall be shown with dashed lines or as half-toned (screened) in order to clearly distinguish existing features from proposed improvements. Hatch patterns shall not be used.
3. Each submittal shall contain a **project information/cover sheet** with the following:
  - a) Title: Project name and CED file number(s)
  - b) Table of contents (if more than three pages)
  - c) Vicinity map
  - d) Name and phone number of utility field contacts (e.g., water, sanitary sewer, gas, power, telephone, and TV) and the One-Call number (811 or 1-800-424-5555)
  - e) The City's preconstruction/inspection notification requirements
  - f) Name and phone number of the erosion control/CSWPP supervisor

- g) Name and phone number of the surveyor
  - h) Name and phone number of the owner/agent
  - i) Name and phone number of the applicant
  - j) Legal description
  - k) Plan approval signature block for CED
  - l) Name and phone number of the engineering firm preparing the plans (company logos acceptable)
  - m) Renton Regional Fire Authority's approval stamp (if required)
  - n) Statement that mailbox locations have been designated or approved by the U.S. Postal Service (where required)
  - o) List of conditions of preliminary approval and conditions of approved adjustments and variances on all *site* improvements
4. An **overall site plan** shall be included if more than three plan sheets are used. The overall plan shall be indexed to the detail plan sheets and include the following:
- a) The complete property area development
  - b) Right-of-way information
  - c) Street names and road classification
  - d) All project phasing and proposed division boundaries
  - e) All natural and proposed drainage collection and conveyance systems with catch basin numbers shown
5. Each sheet of the plan set shall be stamped, signed, and dated by a *civil engineer*. At least one sheet showing all boundary survey information and tied to two City of Renton monuments must be provided and stamped by a **land surveyor** licensed in the State of Washington.
6. **Detail sheets** shall provide sufficient information to construct complex elements of the plan. Details may be provided on plan and profile sheets if space allows.
7. The City of Renton **title block** shall be provided on each plan sheet. Title block can be obtained at the City's website. At a minimum, the title block shall list the following:
- a) Development title
  - b) Name, address, and phone number of the firm or individual preparing the plan
  - c) A revision block
  - d) Page (of pages) numbering
  - e) Sheet title (e.g., road and drainage, grading, erosion and sediment control, stormwater pollution prevention and spill control)
8. A blank CED **approval block** (included on the City's title block) shall be provided on each plan sheet.
9. The **location and label** for each section or other detail shall be provided.
10. **Critical areas**, critical area buffers, and critical area building setbacks as required by RMC 4-3-050 shall be delineated and labeled.
11. All **match lines** with matched sheet number shall be provided.
12. All division or phase lines and the **proposed limits of construction** under the permit application shall be indicated.



13. **Wetlands** shall be labeled with the number from the City’s wetland inventory, or shall be labeled as “uninventoried” if not listed on the wetland inventory.
14. The **standard plan notes** that apply to the project shall be provided on the plans (see Reference Section 7-B).
15. Commercial building permit applications shall include the **designated zoning** for all properties adjacent to the development *site(s)*.

#### □ **BASE MAP**

A site improvement plan **base map** provides a common base and reference in the development and design of any project. A base map helps ensure that the engineering plans, grading plans, and CSWPP plans are all developed from the same background information. This base map shall include the information listed in Table 2.3.1.A.

<b>TABLE 2.3.1.A BASE MAP REQUIREMENTS</b>	
<b>Feature</b>	<b>Requirements</b>
Ground Surface Topography	Provide topography within the <i>site</i> and extending beyond the property lines. Contour lines must be shown as described in “Plan View: Site Plan and Roadway Elements.”
Surface Water Discharge	Provide ground surface elevations for a reasonable “fan” around points of discharge extending at least 50 feet downstream of all point discharge outlets.
Hydrologic Features	Provide spot elevations in addition to contour lines to aid in delineating the boundaries and depth of all existing floodplains, wetlands, channels, swales, streams, storm drainage systems and BMPs, roads (low spots), bogs, depressions, springs, seeps, swales, ditches, pipes, groundwater, and seasonal standing water.
Other Natural Features	Show the location and relative sizes of other natural features such as rock outcroppings, existing vegetation, and trees 12 inches in diameter and greater that could be disturbed by the project improvements and construction activities (within tree canopy), noting species.
Flows	Provide arrows that indicate the direction of surface flow on all public and private property and for all existing conveyance systems.
Floodplains/ Floodways	Show the floodplain/floodways as required by the flood hazard portion of the critical areas code (RMC 4-3-050) and Section 4.4.2.
General Background Information	Show the location and limits of all existing: <ul style="list-style-type: none"> <li>• Property boundaries</li> <li>• Structures</li> <li>• Easements (including dimensions)</li> <li>• Total property (including dimensions)</li> <li>• Roads and right-of-way</li> <li>• Sanitary sewers and water utilities</li> <li>• Common open space</li> <li>• Public dedications</li> <li>• Other manmade features affecting existing topography/proposed improvements.</li> </ul>
Development Limitations	Delineate limitations to the development that may occur as identified on the TIR worksheet, Part 11 (see Reference Section 8-A).

## □ SITE PLAN AND PROFILES

The design engineer shall provide plans and profiles for all construction, including but not limited to the following information:

### Plan View: Site Plan and Roadway Elements

1. Provide **property lines**, **right-of-way lines**, and widths for proposed roads and intersecting roads. Note: the condition of all public right-of-way and the right to use it as proposed must be verified.
2. Provide all existing and proposed **roadway features**, such as centerlines, edges of pavement and shoulders, ditchlines, curbs, and sidewalks. In addition, show points of access to abutting properties and roadway continuations.
3. Show existing and proposed **topography contours** at 2-foot intervals (5-foot intervals for slopes greater than 15 percent, 10-foot intervals for slopes greater than 40 percent). Contours may be extrapolated from USGS mapping, aerial photos, or other topography map resources. However, contours shall be field verified for roadway and stream centerlines, steep slopes, floodplains, drainage tracts easements, and conveyance systems. Contours shall extend 20 feet beyond property lines to resolve questions of setback, cut and fill slopes, drainage swales, ditches, and access or drainage to adjacent property.
4. Show the location of all existing **utilities** and proposed utilities (except those designed by the utility and not currently available) to the extent that these will be affected by the proposed project. Clearly identify all existing **utility poles**.
5. Identify all roads and adjoining subdivisions.
6. Show **right-of-way** for all proposed roadways, using sufficient dimensioning to clearly show exact locations on all sections of existing and proposed dedicated public roadway.
7. Clearly differentiate areas of **existing pavement** and areas of **new pavement**. If the project is a **redevelopment project**, delineate areas of **replaced impervious surface**.
8. For subdivision projects, generally use **drawing scales** of 1"=20'; however, 1"=50' is optional for development of lots one acre or larger. For commercial, multi-family, or other projects, generally use scales of 1"=20'; however, 1"=10', 1"=30', 1"=40' and 1"=50' are acceptable. Show details for clarification, including those for intersections and existing driveways, on a larger scale.

### Plan View: Drainage Conveyance

1. Sequentially **number all catch basins and curb inlets** starting with the structure farthest downstream.
2. Represent **existing storm drainage facilities and BMPs** in dashed lines and label with "Existing."
3. Clearly label existing storm drainage **facilities to be removed** with "Existing to be removed."
4. Show the length, diameter, and material for all **pipes, culverts, and stub-outs**. Include the slope if not provided on the profile view. Material may be noted in the plan notes. Where open conveyance is provided, and a **low-permeability liner** or **treatment liner** is required per Section 6.2.4, indicate the limits of such liner(s).
5. Clearly label **catch basins** as to size and type (or indicate in the plan notes).
6. Clearly label **stub-out locations** for footing drains and other lot-specific connections to the storm drainage system. Locate all stub-outs to allow gravity flow from the lowest corner of the lot to the connecting catch basin.
7. Show **datum, benchmark locations, and elevations** on each plan sheet.
8. Clearly label all stub-out locations for any **future pipe connections**.

9. Clearly show on the plans all drainage **easements, tracts**, access easements, Native Growth Retention Areas, Critical Area Tracts, Critical Area Setback Areas, and building setback lines. Show dimensions, type of restriction, and use.
10. Using arrows, indicate the **drainage direction** of hydraulic conveyance systems.

#### **Plan View: Other**

1. Show the location, identification, and dimensions of all **buildings, property lines, streets, alleys, and easements**.
2. Show the locations of **structures on abutting properties** within 50 feet of the proposed *project site*.
3. Show the location of all proposed **drainage facility fencing**, together with a typical section view of each fencing type.
4. Provide section details of all **retaining walls and rockeries**, including sections through critical portions of the rockeries or retaining walls.
5. Show all existing and proposed **buildings with projections and overhangs**.
6. Show the location of all **wells on site** and within 100 feet of the *site*. Note wells to be abandoned.
7. Show the location and dimensions of proposed **on-site BMPs**, features, pathways, limits, and set-asides.
8. Show the location and dimensions of structural **source control BMPs** required by the *SWPPS Standards* in Appendix D and the *King County Stormwater Pollution Prevention Manual*.

#### **Profiles: Roadway and Drainage**

1. Provide **existing centerline ground profile** at minimum of 50-foot stations and at significant ground breaks and topographic features, with average accuracy to within 0.1 feet on unpaved surface and 0.02 feet on paved surface.
2. For publicly maintained roadways, provide **final road and storm drain profile** with the same stationing as the horizontal plan, to show stationing of points of curve, tangent, and intersection of vertical curves, with elevation of 0.01 feet. Include tie-in with intersecting pipe runs.
3. On a grid of numbered lines, provide a continuous plot of **vertical positioning against horizontal**.
4. Show finished **road grade and vertical curve data** (road data measured at centerline or edge of pavement). Include stopping sight distance.
5. Show all **roadway drainage**, including drainage facilities and BMPs that are within the right-of-way or easement.
6. On the profile, show slope, length, size, and type (in plan notes or on a detail sheet) for all **pipes and detention tanks** in public right-of-way.
7. Indicate the **inverts** of all pipes and culverts and the elevations of catch basin grates or lids. It is also desirable, but not required, to show invert elevations and grate elevations on plan sheets.
8. For pipes that are proposed to be within 2.0 feet of finished grade, indicate the **minimum cover dimensions**.
9. Indicate **roadway stationing** and offset for all catch basins.
10. Indicate **vertical and horizontal scale**.
11. Clearly label all profiles with respective street names and plan sheet reference numbers, and indicate all profile sheet reference numbers on plan sheets, if drawn on separate sheets.
12. Locate **match points with existing pavements**, and show elevations.
13. Show all **property boundaries**.

14. Label all **match line locations**.
15. Provide profiles for all **12-inch and larger pipes** and for **channels** (that are not roadside ditches).
16. Show the location of all existing and proposed (if available or critical for clearance) **gas, water, and sanitary sewer crossings**.
17. Show **energy dissipater locations**.
18. Identify **datum** used and all **benchmarks** (may be shown on plan view instead). Datum and benchmarks must refer to established control when available.
19. Use a **vertical scale** of 1"=5'. As an exception, vertical scale shall be 1"=10' if the optional 1"=50' horizontal scale is used on projects with lots one acre or larger. Clarifying details, including those for intersections and existing driveways, should use a larger scale.
20. **Split sheets**, with the profile aligned underneath the plan view, are preferred but not required.

## □ DETAILS

The design engineer shall provide details for all construction, including but not limited to the following.

### **Flow Control, Water Quality, and Infiltration Facility and BMP Details**

1. Provide a scaled drawing and supporting details of each detention pond or vault, on-site BMP, and water quality facility, including the tract boundaries.
2. Show predeveloped and finished grade **contours** at 2-foot intervals. Show and label **maximum design water elevation**.
3. Dimension all **berm widths**.
4. Show and label at least two **cross sections** through a pond or water quality facility, or any BMP large enough to require design elements of ponds and/or water quality facilities. One cross section must include the restrictor when included in the design.
5. Specify **soils and compaction requirements** for pond construction and on-site BMP construction. Specify **low-permeability liners** or **treatment liners** as required for ponds and ditches per Section 6.2.4.
6. Show the location and detail of **emergency overflows, spillways, and bypasses**.
7. Specify **rock protection/energy dissipation** requirements and details.
8. Provide **inverts** of all pipes, grates, inlets, tanks, and vaults, and **spot elevations** of the pond bottom.
9. Show the location of **access roads** to control manholes and pond/forebay bottoms.
10. Provide plan and section views of all **energy dissipaters**, including **rock splash pads**. Specify the size of rock and thickness.
11. Show **bollard locations** on plans. Typically, bollards are located at the entrance to drainage facility access roads.
12. On the pond or water quality facility detail, show the size, type (or in plan notes), slope, and length of all **pipes**.
13. Show to scale the section and plan view of **restrictor and control structures**. The plan view must show the location and orientation of all inlet pipes, outlet pipes, and flow restrictors.
14. Draw details at one of the following **scales**: 1"=1', 1"=2', 1"=4', 1"=5', 1"=10', or 1"=20'.

### Structural Plan Details

Any submittal that proposes a structure (e.g., bridge crossing, reinforced concrete footings, walls, or vaults) shall include plan sheets that include complete working drawings showing dimensions, steel placement, and specifications for construction. Structures may require a design prepared and **stamped by a professional structural engineer** licensed in the State of Washington, and an application for a separate commercial building permit.

### 2.3.1.3 EROSION AND SEDIMENT CONTROL (ESC) PLAN

This section details the specifications and contents for ESC plans. Note that an ESC plan includes the plan's drawings plus an ESC report, which provides all supporting information and any additional direction necessary for implementing ESC measures and meeting ESC implementation requirements. The ESC plan's drawings may be simplified by the use of the symbols and codes provided for each ESC measure in the *Erosion and Sediment Control Standards* in Appendix D. In general, the ESC plan's drawings shall be submitted as a separate plan sheet(s). However, there may be some relatively simple projects where providing separate grading and ESC plan drawings is unnecessary.

#### □ GENERAL SPECIFICATIONS

The **site improvement plan** shall be used as the base of the ESC plan. Certain detailed information that is not relevant (e.g., pipe/catch basin size, stub-out locations, etc.) may be omitted to make the ESC plan easier to read. At a minimum, the ESC plan shall include all of the information required for the base map (see Table 2.3.1.A), as well as existing and proposed roads, driveways, parking areas, buildings, drainage facilities and BMPs, utility corridors not associated with roadways, *relevant critical areas*<sup>3</sup> and critical area buffers, and proposed final topography. A smaller scale may be used to provide better comprehension and understanding.

The ESC plan shall generally be designed for proposed topography, not existing topography, since rough grading is usually the first step in *site* disturbance. The ESC plan shall **address all phases of construction** (e.g., clearing, grading, installation of utilities, surfacing, and final stabilization). If construction is being phased, separate ESC plans may need to be prepared to address the specific needs for each phase of construction.

The ESC plan outlines the minimum requirements for anticipated *site* conditions. During construction, **ESC plans shall be revised as necessary** by the CSWPP supervisor or as directed by CED to address changing *site* conditions, unexpected storm events, or non-compliance with the ESC performance criteria in Core Requirement #5.

The **ESC plan** shall be consistent with the information provided in Section 8 of the TIR and **shall address the following:**

1. Identify areas with a high susceptibility to erosion.
2. Provide all details necessary to clearly illustrate the intent of the ESC design.
3. Include ESC measures for all on- and offsite utility construction included in the project.
4. Specify the construction sequence. The construction sequence shall be specifically written for the proposed project. An example construction sequence is provided in Appendix D.
5. Include ESC standard plan notes (see Reference Section 7-B).
6. Include an inspection and maintenance program for ESC measures, including designation of a CSWPP supervisor who is a certified ESC professional and identification of phone numbers for 24-hour contact.
7. Include the basis and calculations for selection and sizing of ESC measures.

<sup>3</sup> *Relevant critical areas*, for the purposes of drainage review, include aquatic areas, wetlands, **flood hazard areas**, **erosion hazard areas**, **landslide hazards**, **steep slope hazard areas**, and **critical aquifer recharge areas**.

**□ MEASURE-SPECIFIC INFORMATION**

ESC plan drawings must include the following information specific to applicable ESC measures and implementation requirements. As noted above, this information may need to be updated or revised during the life of the project by the CSWPP supervisor or as directed by CED.

**Clearing Limits**

1. **Delineate** clearing limits.
2. Provide **details** sufficient to install and maintain the clearing limits.

**Cover Measures**

1. Specify the type and location of **temporary cover measures** to be used onsite.
2. If **more than one type** of cover measure is to be used onsite, indicate the areas where the different measures will be used, including steep cut and fill slopes.
3. If the type of cover measures to be used will vary depending on the time of year, soil type, gradient, or some other factor, specify the **conditions that control the use of the different measures**.
4. Specify the nature and location of **permanent cover measures**. If a landscaping plan is prepared, this may not be necessary.
5. Specify the approximate amount of cover measures necessary to cover all disturbed areas.
6. If **netting, blankets, or plastic sheeting** are specified, provide typical detail sufficient for installation and maintenance.
7. Specify the **mulch types, seed mixes, fertilizers, and soil amendments** to be used, as well as the application rate for each item.
8. For **surface roughening**, describe methods, equipment and areas where surface roughening will be use.
9. If **PAM** is used, show location(s) and describe application method.
10. When **compost blankets** are used, show location, application rates, and the name of the supplier to document that compost meets quality specifications per Reference Section 11-C.

**Perimeter Protection**

1. Specify the **location and type** of perimeter protection to be used.
2. Provide **typical details** sufficient to install and maintain the perimeter protection.
3. If **silt fence** is to be used, specify the type of fabric to be used.
4. If **compost berms or socks** are used, documentation must be provided to ensure the supplier meets the criteria and compost meets quality standards per Reference Section 11-C.

**Traffic Area Stabilization**

1. Locate the construction entrance(s).
2. Provide typical details sufficient to install and maintain the construction entrance.
3. Locate the construction roads and parking areas.
4. Specify the measure(s) that will be used to create stabilized construction roads and parking areas. Provide sufficient detail to install and maintain.
5. If a wheel wash or tire bath system will be installed, provide location, typical details for installation and maintenance.
6. Provide a list of dust control products that will be used onsite and the location of potential application areas.

### **Sediment Retention**

1. Show the **locations** of all sediment ponds and traps.
2. Dimension pond **berm widths** and all inside and outside pond slopes.
3. Indicate the **trap/pond storage** required and the depth, length, and width dimensions.
4. Provide typical **section views** through pond and outlet structures.
5. If **chemical or electrocoagulation treatment** of sediment-laden waters will be used, approval documentation from Ecology must be included (see SWPPS plan requirements for chemical storage).
6. Provide details for **disposal of contaminated or chemically treated waters** (e.g., where Chitosan or CO<sub>2</sub> have been used) (see SWPPS plan requirements for chemical storage).
7. Include appropriate **approval documentation from local sewer districts** if contaminated or chemically treated water will be discharged to the sanitary sewer.
8. Provide typical details of the **control structure and dewatering mechanism**.
9. Detail **stabilization techniques** for outlet/inlet protection.
10. Provide details sufficient to install **cell dividers**.
11. Specify mulch or recommended **cover of berms and slopes**.
12. Indicate the **required depth gage** with a prominent mark at 1-foot depth for sediment removal.
13. Indicate **catch basins** that are to be protected.
14. Indicate **existing and proposed on-site BMP areas** that are to be protected.
15. Provide **details of the catch basin and on-site BMP protection** sufficient to install and maintain.
16. Provide sediment retention prior to any discharge to the City sewer or local sewer district system.

### **Surface Water Control**

1. **Locate** all pipes, ditches, interceptor ditches, dikes, and swales that will be used to convey stormwater.
2. Provide **details** sufficient to install and maintain all **conveyances**.
3. Indicate locations of **outlet protection** and provide detail of protections.
4. Indicate locations and outlets of any possible **dewatering systems**. Provide details of alternative discharge methods from dewatering systems if adequate infiltration rates cannot be achieved. Do not route dewatering water, clean or untreated, through stormwater sediment ponds.
5. Indicate the location of any **level spreaders** and provide details sufficient to install and maintain.
6. Show all **temporary pipe inverts**.
7. Provide location and specifications for the **interception of runoff from disturbed areas** and the conveyance of the runoff to a non-erosive discharge point.
8. Provide **locations** of **rock check dams**.
9. Provide **details**, including front and side sections, of typical **rock check dams**.

### **Protection of Existing and Proposed On-site BMP Areas**

1. Provide perimeter protection at existing and proposed **on-site BMP** locations
2. Provide cautionary plan notes emphasizing avoidance of negative impacts to receptor soils and existing vegetation to remain.

**BMP Maintenance**

1. Provide adequate plan notes for guidance of BMP maintenance methods and schedules.
2. Include an inspection and maintenance program for ESC measures.

**Management of the Project**

1. Provide plan notes to clarify and emphasize the management responsibilities for the project.
2. Include an inspection and maintenance program for ESC measures, including designation of a CSWPP supervisor who is a certified ESC professional and identification of phone numbers for 24-hour contact.

**Wet Season Requirements**

1. Provide a **list** of all applicable wet season requirements.
2. Clearly identify that from October 1st through April 30th, no soils shall be exposed for more than two consecutive working days. Also note that this **two-day requirement** may be applied at other times of the year if storm events warrant more conservative measures.
3. Clearly identify that **exposed soils shall be stabilized** at the end of the workday prior to a weekend, holiday, or predicted rain event.
4. Weekly maintenance report is required to be submitted to CED.

**Critical Areas Restrictions**

1. **Delineate and label** the following critical areas, and any applicable buffers, that are on or adjacent to the *project site*: aquatic areas, wetlands, ***flood hazard areas, erosion hazard areas, landslide hazards, steep slope hazard areas, and aquifer protection areas per RMC 4-3-050.***
2. If construction creates disturbed areas within any of the above listed critical areas or associated buffers, specify the type, locations, and details of any measures or other provisions necessary to **comply with the critical area restrictions** in Appendix D and protect surface waters and steep slopes.

**2.3.1.4 STORMWATER POLLUTION PREVENTION AND SPILL (SWPPS) PLAN**

This section details the specifications and contents for SWPPS plans, which together with ESC plans, comprise the construction stormwater pollution prevention (CSWPP) plan that must be submitted as part of the engineering plans required for drainage review. Additional guidance for developing the SWPPS plan can be found in the *SWPPS Standards* in Appendix D, *Construction Stormwater Pollution Prevention Standards*, in the *King County Stormwater Pollution Prevention Manual* and in the *Stormwater Management Manual for Western Washington (SWMMWW)* published by the Washington State Department of Ecology (Ecology).

The SWPPS plan must be kept on *site* during all phases of construction and shall **address the construction-related pollution-generating activities outlined in Subsection A below**. The plan must include a description of the methods the general contractor will use to ensure sub-contractors are aware of the SWPPS plan. A **form or record** must be provided that states all sub-contractors have read and agree to the SWPPS plan.

A SWPPS plan consists of the following three elements, which are further described in Subsections B, C, and D below:

1. A **site plan** showing the location and description of BMPs required to prevent pollution and control spills from construction activities and from chemicals and other materials used and stored on the construction site. See Subsection B below for more specifics on the SWPPS site plan.



2. A **pollution prevention report** listing the potential sources of pollution and identifying the operational, source control, and treatment BMPs necessary to prevent/mitigate pollution from these sources. See Subsection C below for more specifics on the SWPPS pollution prevention report.
3. A **spill prevention and cleanup report** describing the procedures and BMPs for spill prevention and including provisions for cleanup of spills should they occur. See Subsection D below for more specifics on the SWPPS spill prevention and cleanup report.

#### A. ACTIVITY-SPECIFIC INFORMATION REQUIRED

At a minimum, the SWPPS plan shall address, if applicable, the following pollution-generating activities typically associated with construction and include the information specified below for each activity. If other pollution-generating activities associated with construction of the proposed project are identified, the SWPPS plan must address those activities in a similar manner.

##### Storage and Handling of Liquids

1. Identify liquids that will be handled or stored onsite, including but not limited to petroleum products, fuel, solvents, detergents, paint, pesticides, concrete admixtures, and form oils.
2. Specify types and sizes of containers of liquids that will be stored/handled onsite. Show locations on the SWPPS site plan.
3. Describe secondary containment methods adequately sized to provide containment for all liquids stored onsite. Show the locations of containment areas on the SWPPS site plan.

##### Storage and Stockpiling of Construction Materials and Wastes

1. **Identify** construction materials and wastes that may be generated or stockpiled onsite. Show the **locations** where these materials and wastes will be generated and stockpiled on the SWPPS site plan.
2. Specify type of **cover measures** to be used to keep rainwater from contacting construction materials and wastes that can contribute pollutants to storm, surface, and ground water.
3. If wastes are kept in **containers**, describe how rainwater will be kept out of the containers.

##### Fueling

1. Specify **method of onsite fueling** for construction equipment (i.e., stationary tanks, truck mounted tanks, wet hosing, etc.). If stationary tanks will be used, show their location on the SWPPS site plan.
2. Describe **type and size of tanks**.
3. Describe **containment methods for fuel spills** and make reference to the SWPPS site plan for location information.
4. If fueling occurs **during evening hours**, describe lighting and signage plan. Make reference to the SWPPS site plan for location information.

##### Maintenance, Repairs, and Storage of Vehicles and Equipment

1. Identify **maintenance and repair areas** and show their locations on the SWPPS site plan. Use of drip pans or plastic beneath vehicles is required. A note to this effect must be shown on the SWPPS site plan.
2. Describe method for collection, storage, and disposal of **vehicle fluids**.
3. If an area is designated for vehicle maintenance, **signs must be posted** that state no vehicle washing may occur in the area. A note to this effect must be shown on the SWPPS site plan.

##### Concrete Saw Cutting, Slurry, and Washwater Disposal

1. Ensure that washout of concrete trucks is performed off-site or in designated concrete washout areas only. Identify **truck washout areas** to ensure such areas are not within a **critical aquifer recharge area**. If they are, the washout area must be lined with an impervious membrane. Show location information on the SWPPS site plan. Locate washout area at least 50 feet from sensitive areas such as storm drains, open ditches, or water bodies, including wetlands.

2. Specify **size of sumps** needed to collect and contain slurry and washwater. Show location information on the SWPPS site plan.
3. Identify **areas for rinsing hand tools** including but not limited to screeds, shovels, rakes, floats and trowels. Show the locations of these areas on the SWPPS site plan.
4. Describe **methods for collecting, treating, and disposal** of waste water from exposed aggregate processes, concrete grinding and saw cutting, and new concrete washing and curing water.

#### **Handling of pH Elevated Water**

New concrete vaults/structures may cause collected water to have an elevated pH. This water cannot be discharged to storm or surface water until neutralized.

1. Provide details on **treating/neutralizing water** when pH is not within neutral parameters. Written approval from Ecology is required before using chemical treatment other than CO<sub>2</sub> or dry ice to adjust pH.
2. Provide details on **disposal of water** with elevated pH or of the treated water.

#### **Application of Chemicals including Pesticides and Fertilizers**

1. Provide a **list of chemicals** that may be used on the *project site* and the application rates.
2. Describe **where and how chemicals will be applied**. Show location information on the SWPPS site plan.
3. Describe **where and how chemicals will be stored**. Show location information on the SWPPS site plan.

### **B. SWPPS SITE PLAN**

The *site* plan element of the SWPPS plan shall include all of the information required for the base map (see Table 2.3.1.A), as well as existing and proposed roads, driveways, parking areas, buildings, drainage facilities, utility corridors not associated with roadways, *relevant critical areas*<sup>4</sup> and associated buffers, and proposed final topography. A smaller scale may be used to provide more comprehensive details on specific locations of each activity and specific prevention measure. In addition to this information, the following items, at a minimum, shall be provided as applicable:

1. Identify locations where **liquids will be stored** and delineate secondary containment areas that will be provided.
2. Identify locations where **construction materials and wastes** will be generated and stockpiled.
3. Identify location of **fueling for vehicles and equipment** if stationary tanks will be used.
4. Delineate **containment areas** for fuel spills.
5. Show location of **lighting and signage** for fueling during evening hours.
6. Delineate **maintenance and repair areas** and clearly note that drip pans or plastic shall be used beneath vehicles. Also, clearly note that signs must be posted that state no **vehicle washing** may occur in the area.
7. Delineate **truck washout areas** and identify the location of **slurry/washwater sumps and rinsing areas** for tools.
8. Delineate where **chemicals** will be applied and identify where they will be stored.
9. Identify where **spill response materials** will be stored.

---

<sup>4</sup> *Relevant critical areas*, for the purposes of drainage review, include aquatic areas, wetlands, **flood hazard areas**, **erosion hazard areas**, **landslide hazards**, **steep slope hazard areas**, and **aquifer protection areas as described in RMC 4-3-050**.

### C. POLLUTION PREVENTION REPORT

This report provides the specifics on pollution prevention and must include the following information in addition to the activity-specific information specified in Subsection A above:

1. List the possible **sources of pollution** per Subsection A above and identify the BMPs to be used for each source to prevent pollution. Include any **supporting information** (site conditions, calculations, etc.) for the selection and sizing of pollution prevention BMPs.
2. Identify the **personnel** responsible for pollution prevention and clearly list the responsibilities of each person identified. **Contact information** for these personnel must be clearly identified in the report and on the SWPPS site plan.
3. Describe the **procedures** to be used for monitoring pollution prevention BMPs and for responding to a BMP that needs attention, including keeping records/reports of all inspections of pollution prevention BMPs (see Reference Section 8-E for examples of worksheets that may be used).

### D. SPILL PREVENTION AND CLEANUP REPORT

This report provides the specifics on spill prevention and cleanup and must include the following information in addition to any activity-specific information in Subsection A above related to spill prevention:

1. List the possible **sources of a spill** and identify the BMPs to be used for each source to prevent a spill.
2. Identify **personnel** responsible for spill prevention and cleanup and clearly list the responsibilities of each person identified. **Contact information** for these personnel must be clearly identified in the report and on the SWPPS site plan. (On typical projects, the primary contact for SWPPS issues will be the CSWPP supervisor, who may be managing other spill responders to ensure compliance; complex projects may warrant specialist personnel for specific site applications.)
3. Describe the **procedures** to be used for monitoring spill prevention BMPs and for responding to a spill incident, including keeping records/reports of all inspections and spills (see Reference Section 8-E for examples of worksheets that may be used).
4. Identify where **spill response materials** will be stored. Make reference to the SWPPS site plan for location information.
5. Identify **disposal methods** for contaminated water and soil after a spill.

#### 2.3.1.5 LANDSCAPE MANAGEMENT PLANS (IF APPLICABLE)

The City of Renton does not allow landscape management plans to be used as an alternative to the requirement to formally treat (with a facility) the runoff from pollution generating pervious surfaces subject to Core Requirement #8 (see Section 1.2.8). A *landscape management plan* is an approved plan for defining the layout and long-term maintenance of landscaping features to minimize the use of pesticides and fertilizers, and reduce the discharge of suspended solids and other pollutants.

## 2.3.2 PROJECTS IN TARGETED DRAINAGE REVIEW (TDR)

This section outlines the specifications and contents of limited scope engineering plans allowed for projects in Targeted Drainage Review. Table 2.3.2.A specifies the minimum required elements of the targeted technical information report based on the type of permit or project, and on the three categories of project characteristics subject to Targeted Drainage Review per Section 1.1.2.2.

TABLE 2.3.2.A MINIMUM ENGINEERING PLAN ELEMENTS <sup>(1)</sup> FOR PROJECTS IN TARGETED DRAINAGE REVIEW				
Type of Permit or Project	Drainage Review Type	Project Category 1 <sup>(2)</sup> Projects in TDR that contain or are adjacent to a <b>flood, erosion, or steep slope hazard area</b> ; or are within a <b>Landslide Hazard Drainage Area</b> or <b>Aquifer Protection Area</b>	Project Category 2 <sup>(2)</sup> Projects in TDR that propose to <b>construct or modify</b> a 12" or larger pipe/ditch, or receive runoff from a 12" or larger pipe/ditch	Project Category 3 <sup>(2)</sup> <b>Redevelopment projects</b> in TDR that propose \$100,000 or more of improvements to an existing <b>high-use site</b>
SINGLE-FAMILY RESIDENTIAL (SFR) BUILDING PERMITS SHORT PLATS	Targeted Drainage Review ONLY	<ul style="list-style-type: none"> <li>• TIR Sections 1, 2, and 6 (minimum)</li> <li>• Simplified ESC Plan<sup>(3)</sup> and SWPPS Plan</li> <li>• Site Improvement Plan<sup>(5)</sup></li> </ul>	<ul style="list-style-type: none"> <li>• TIR Sections 1, 2, 3, 5, 6, 7, and 8 (minimum)</li> <li>• Simplified ESC Plan<sup>(3)</sup> and SWPPS Plan</li> <li>• ESC Plan<sup>(4)</sup> for conveyance work</li> <li>• Site Improvement Plan<sup>(5)</sup></li> </ul>	N/A
	Targeted Drainage Review COMBINE D WITH Simplified Drainage Review	<ul style="list-style-type: none"> <li>• TIR Sections 1, 2, and 6 (minimum)</li> <li>• Simplified ESC Plan<sup>(3)</sup> and SWPPS Plan</li> <li>• Site Improvement Plan<sup>(5)</sup></li> </ul>	<ul style="list-style-type: none"> <li>• TIR Sections 1, 2, 3, 5, 6, 7, and 8 (minimum)</li> <li>• Simplified ESC Plan<sup>(3)</sup> and SWPPS Plan</li> <li>• ESC Plan<sup>(4)</sup> for conveyance work</li> <li>• Site Improvement Plan<sup>(5)</sup></li> </ul>	N/A
OTHER PROJECTS OR PERMITS	Targeted Drainage Review ONLY	<ul style="list-style-type: none"> <li>• TIR Sections 1, 2, 6, and 8 (minimum)</li> <li>• ESC Plan<sup>(4)</sup> and SWPPS Plan for any site disturbance work</li> <li>• Site Improvement Plan<sup>(5)</sup></li> </ul>	<ul style="list-style-type: none"> <li>• TIR Sections 1, 2, 3, 5, 6, 7, and 8 (minimum)</li> <li>• ESC Plan<sup>(4)</sup> and SWPPS Plan for any site disturbance work</li> <li>• Site Improvement Plan<sup>(5)</sup></li> </ul>	<ul style="list-style-type: none"> <li>• TIR Sections 1, 2, 4, 8, and 10 (minimum)</li> <li>• ESC Plan<sup>(4)</sup> and SWPPS Plan for any site disturbance work</li> <li>• Site Improvement Plan<sup>(5)</sup></li> </ul>
<p><i>Notes:</i></p> <p>(1) The above plan elements are considered the recommended minimum for most development cases in Targeted Drainage Review. CED may add to these elements if deemed necessary for proper drainage review. <i>Predesign meetings with CED are recommended to identify all required elements.</i></p> <p>(2) For more detailed descriptions of project categories, see Section 1.1.2.2. <i>If the proposed project has the characteristics of more than one category, the plan elements under each applicable category shall apply.</i></p> <p>(3) Simplified ESC plans are an element of the Simplified drainage plan as explained in the <i>Simplified Drainage Requirements</i> booklet (Appendix C).</p> <p>(4) ESC plans shall meet the applicable specifications detailed in Section 2.3.1.3</p> <p>(5) Site improvement plans shall meet the applicable specifications detailed in Section 2.3.1.2. CED may allow modified site improvement plans as described in Section 2.3.1.2.</p>				

## 2.4 PLANS REQUIRED AFTER DRAINAGE REVIEW

This section includes the specifications and contents required of those plans submitted at the end of the permit review process or after a permit has been issued.

### 2.4.1 PLAN CHANGES AFTER PERMIT ISSUANCE

If changes or revisions to the originally approved engineering plans require additional review, the revised plans shall be submitted to CED for approval prior to construction. The plan change submittals shall include all of the following:

1. The appropriate Plan Change form(s)
2. One (1) revised TIR or addendum
3. One (1) set of the engineering plans
4. One (1) Complete Electronic copy of all submittal items
5. Other information needed for review.

### 2.4.2 FINAL CORRECTED PLAN SUBMITTAL

During the course of construction, changes to the approved engineering plans are often required to address unforeseen field conditions or design improvements. Once construction is completed, it is the applicant's responsibility to submit to CED a **final corrected plan (or record drawings)**. These corrected drawings must be professionally drafted revisions applied to the original approved plan, excluding the CSWPP plan, and must include all changes made during the course of construction. The final as-built plans must be stamped, signed, and dated by a *civil engineer or land surveyor*. A CAD drawing file (.dwg) of the final as-built plan set must be submitted along with Mylars. The CAD file must contain all the pages of the plan set for road and drainage infrastructure, but need not contain other sheets. A **final corrected TIR**, updated to include all changes made to the originally approved TIR during the course of construction, must be submitted with the final corrected plan. In addition to any design changes and supporting calculations and documentation, the final corrected TIR shall include a final updated Stormwater Facility Summary Sheet (see Reference Section 8-D) and signed/recorded copies of all required easements and declarations of covenant. The electronic copy of the final corrected TIR may be in .pdf or other approved format.

Additional information regarding the final corrected plan submittal can be found on the City's website.

#### **Disposition of Approved Engineering Plans for Subdivisions**

CED will retain the Mylar set, utilizing it to make copies for public inspection, distribution, base reference, and permanent public record as required.

### 2.4.3 FINAL PLAT, SHORT PLAT, AND BINDING SITE PLAN SUBMITTALS

Any subdivision to be finalized, thereby completing the subdivision process and legally forming new lots, requires a **final submittal for approval and recording**. Binding site plans and short plats also require a final submittal for approval and recording. The final plat or map page shall contain the elements summarized and specified in detail on the City's website. Submittals shall be accompanied by appropriate fees as prescribed by Renton Municipal Code. Final submittals will be allowed only after the approval of preliminary plans (for subdivisions only) and any required engineering plans.

All final map sheets and pages shall be prepared by a **land surveyor** licensed in the State of Washington and shall conform to all state and local statutes.

The final submittal for recording only applies to **subdivisions** (plats), **binding site plans**, and **short plats**. This plan is required by state and local statutes.

In addition to the requirements described on the City's website and in the City of Renton Municipal Code, submittals for final recording of subdivisions, short plats, and binding site plans **must include the following information**:

1. Indicate **dimensions** of all easements, tracts, building setbacks, tops of slopes, wetland boundaries, and floodplains.
2. Include **pertinent restrictions** as they apply to easements, tracts, and building setback lines.
3. State the **maximum amount of added impervious surface** and **proposed clearing per lot** as determined through engineering review. The maximum amount of impervious surface may be expressed in terms of percentage of lot coverage or square feet.
4. Include a recorded **declaration of covenant and grant of easement** for each lot on which on-site BMPs are installed or stipulated per Core Requirement #9, Section 1.2.9.4.1, and each lot for which on-site BMPs are installed in a separate dedicated tract per Section 1.2.9.4.1.

---

# CHAPTER 3

## HYDROLOGIC ANALYSIS & DESIGN



### CITY OF RENTON

# SURFACE WATER DESIGN MANUAL

Section	Page
<b>3.1 Hydrologic Design Standards and Principles</b>	<b>3-3</b>
3.1.1 Hydrologic Impacts and Mitigation	3-3
3.1.2 Flow Control Standards	3-5
3.1.3 Hydrologic Analysis Using Continuous Models	3-5
<b>3.2 Runoff Computation and Analysis Methods</b>	<b>3-9</b>
3.2.1 Rational Method	3-11
3.2.2 Continuous Models and the Runoff Files Method	3-19
3.2.3 The Approved Model	3-30
3.2.4 The HSPF Model	3-30
<b>3.3 Hydrologic Design Procedures and Considerations</b>	<b>3-33</b>
3.3.1 General Hydrologic Design Process	3-33
3.3.2 Flow Control Design Using the Runoff Files Method	3-34
3.3.3 Conveyance System Design with the Runoff Files Method	3-37
3.3.4 Safety Factors in Hydrologic Design	3-38
3.3.5 Design Options for Addressing Downstream Drainage Problems	3-38
3.3.6 Point of Compliance Analysis	3-38
3.3.7 Onsite Closed Depressions and Ponding Areas	3-41

*(This page intentionally left blank.)*



# CHAPTER 3

## HYDROLOGIC ANALYSIS & DESIGN

This chapter presents the concepts and rationale for the surface water controls and designs required by this manual and the acceptable methods for estimating the quantity and characteristics of surface water runoff. These methods are used to analyze existing and to design proposed drainage systems and facilities.

Hydrologic concepts, tools and methodologies, and an overview of the assumptions and data requirements of the methods, are described for the following tasks:

- Calculating runoff time series and flow statistics
- Designing detention and infiltration facilities

Approved hydrologic modeling software are listed in Reference Section 6-D. Tools and methodologies specific to the software can be obtained from the software documentation and trainings provided by the software providers. At this writing, the approved models for stormwater runoff and water quality design include WWHM2012 and WWHM4, available from the Washington State Department of Ecology (Ecology), MGS Flood, available from MGS Engineering Consultants, Inc., and the Hydrologic Simulation Program (Fortran) (HSPF). **The King County Reduced Time Series (KCRS) software is no longer maintained by King County and is not an approved model for use with the Surface Water Design Manual (SWDM).**

Hydrologic tools and methodologies, and the assumptions and data requirements of the methods, are presented for the following tasks:

- Sizing conveyance facilities
- Analyzing conveyance capacities.

### Chapter Organization

The information presented in this chapter is organized into three main sections:

- Section 3.1, “Hydrologic Design Standards and Principles”
- Section 3.2, “Runoff Computation and Analysis Methods”
- Section 3.3, “Hydrologic Design Procedures and Considerations”

These sections begin on odd pages so the user can insert tabs if desired for quicker reference.

### Other Supporting Information

For specific guidance on the mechanics of using the approved modeling software for hydrologic analysis and design, refer to the associated approved model website and program documentation. See Reference Section 6-D for limited modeling guidance and requirements as applicable for specific tasks in this manual.

*(This page intentionally left blank.)*

## 3.1 HYDROLOGIC DESIGN STANDARDS AND PRINCIPLES

This section presents the rationale for and approach to hydrologic analysis and design. Topics covered include the following:

- “Hydrologic Impacts and Mitigation,” Section 3.1.1
- “Flow Control Standards,” Section 3.1.2
- “Hydrologic Analysis Using Continuous Models,” Section 3.1.3

### 3.1.1 HYDROLOGIC IMPACTS AND MITIGATION

#### Hydrologic Effects of Urbanization

The hydrologic effects of development can cause a multitude of problems, including minor nuisance flooding, degradation of public resources, diminished fish production, and significant flooding endangering life and property. Increased stormwater flows expand floodplains, bringing flooding to locations where it did not occur before and worsening flood problems in areas already flood-prone. Increased stormwater flows also hasten channel erosion, alter channel structure, and degrade fish habitat.

Human alteration of the landscape, including clearing, grading, paving, building construction, and landscaping, changes the physical and biological features that affect hydrologic processes. Soil compaction and paving reduce the infiltration and storage capacity of soils. This leads to a runoff process called *Horton overland flow* whereby the rainfall rate exceeds the infiltration rate, and the excess precipitation flows downhill over the soil surface. This type of flow rapidly transmits rainfall to the stream or conveyance system, causing much higher peak flow rates than would occur in the unaltered landscape.

Horton overland flow is almost nonexistent in densely vegetated areas, such as forest or shrub land, where the vast majority of rainfall infiltrates into the soil. Some of this infiltrated water is used by plants, and depending on soil conditions, some of it percolates until it reaches the groundwater table. Sometimes the percolating soil water will encounter a low-permeability soil or rock layer. In this case, it flows laterally as interflow over the low-permeability layer until it reaches a stream channel. Generally, forested lands deliver water to streams by subsurface pathways, which are much slower than the runoff pathways from cleared and landscaped lands. Therefore, urbanization of forest and pasture land leads to increased stormwater flow volumes and higher peak flow rates.

Land development increases not only peak flow rates but also changes annual and seasonal runoff volumes. *In forested basins in King County, about 55% of the rain that falls each year eventually appears as streamflow.* This percentage is called the *yield of a basin*. The remaining 45% of the rain evaporates and returns to the atmosphere. As trees are cleared and the soil is graded to make way for lawns and pastures, and as part of the land is covered with asphalt or concrete, the basin yield increases. More of the rain becomes streamflow, and less evaporates. In lowland King County, the yield of a basin covered with landscaped lawns would be about 65%, while the yield of an impervious basin would be about 85 to 90%.

For these reasons, development without mitigation increases peak stormwater rates, stormwater volumes, and annual basin yields. Furthermore, the reduction of groundwater recharge decreases summer base flows.

In summary, the following are the hydrologic impacts of unmitigated development:

- Increased peak flows
- Increased durations of high flows
- Increased stormwater runoff volumes
- Decreased groundwater recharge and base flows
- Seasonal flow volume shifts
- Altered wetland hydroperiods.

The resulting economic and ecological consequences of these hydrologic changes include the following:

- Increased flooding
- Increased stream erosion
- Degraded aquatic habitat
- Changes to wetland species composition.

### **Mitigation of Hydrologic Effects of Urbanization**

**Engineered facilities can mitigate** many of the hydrologic changes associated with development. Detention facilities can maintain the rates and/or durations of high flows at predevelopment levels. Infiltration facilities can control flow volumes and increase groundwater recharge as well as control flow rates and durations. Conveyance problems can be avoided through analysis and appropriate sizing and design of conveyance facilities. Engineered mitigation of the hydrologic impacts of development include the following:

- Managing peak flow rates with detention facilities
- Managing high flow durations with detention facilities
- Reducing flow volumes and maintaining or enhancing groundwater recharge with infiltration facilities
- Avoiding flooding problems with appropriately sized and designed conveyance systems
- Bypassing erosion problems with tightlines.

**Engineered facilities cannot mitigate** all of the hydrologic impacts of development. Detention facilities do not mitigate seasonal volume shifts, wetland water level fluctuations, groundwater recharge reductions, or base flow changes. Such impacts can be further reduced through the use of low impact development (LID) techniques, beginning with careful *site* planning. For instance, clustering of units to reduce impervious cover while maintaining *site* density is an effective way to limit hydrologic change. Preserving native vegetation and minimizing soil disturbance or compaction in pervious areas also reduces hydrologic change. Such non-engineered mitigation measures are encouraged by the City and are discussed in Core Requirement #9 and Appendix C of this manual and are referred to as *on-site BMPs*.

Other *on-site BMPs*, such as permeable pavements, bioretention, vegetated roofs, and rainwater harvesting can be effective in reducing increases in surface water volumes. The incorporation of these concepts in the design of the project is required, as detailed in Core Requirement #9 and Appendix C. Many of these approaches will result in a reduction in flow control facility size, so the *on-site BMP* requirements in Core Requirement #9 and Appendix C should be carefully considered and applied to maximize the benefits of this approach.

### **Detention Facility Concepts**

The basic concept of a *detention facility* is simple: water is collected from developed areas and released at a slower rate than it enters the collection system. The excess of inflow over outflow is temporarily stored in a pond or a vault and is typically released over a few hours or a few days. The volume of storage needed is determined by (1) how much stormwater enters the facility (determined by the size and density of the contributing area), (2) how rapidly water is allowed to leave the facility, and (3) the level of hydrologic control the facility is designed to achieve.

To prevent increases in the frequency of flooding due to new development, detention facilities are often designed to **maintain peak flow rates at their predevelopment levels** for recurrence intervals of concern (e.g., 2- and 10-year). Such mitigation can prevent increases in the frequency of downstream flooding. Facilities that control only peak flow rates, however, usually allow the duration of high flows to increase, which may cause increased erosion of the downstream system. For example, the magnitude of a 2-year flow may not increase, but the amount of time that flow rate occurs may double. Therefore, stream systems, including those with salmonid habitat, which require protection from erosion warrant detention systems that **control the durations of geomorphically significant flows** (flows capable of moving sediment). Such detention systems employ lower release rates and are therefore larger in volume.

## 3.1.2 FLOW CONTROL STANDARDS

Refer to Chapter 1, Section 1.2.3, for flow control standards.<sup>1,2</sup>

## 3.1.3 HYDROLOGIC ANALYSIS USING CONTINUOUS MODELS

### The Need for Continuous Hydrologic Modeling

This manual prescribes the use of a **continuous hydrologic model** for most hydrologic analyses rather than an event model. Event models such as the Santa Barbara Urban Hydrograph (SBUH), King County Runoff Series (KCRTS) and the Soil Conservation Service (SCS)<sup>3</sup> method were used in previous versions of the King County Surface Water Design Manual. A continuous model was selected for the current version of the City of Renton SWDM because hydrologic problems in western Washington are associated with the high volumes of flow from sequential winter storms rather than high peak flows from short duration, high intensity rainfall events.

The continuous hydrologic analysis tools prescribed in this manual are generically described as the “**approved model**”; a list of the approved models is found in Reference Section 6-D (as updated). At this writing, the approved continuous hydrologic models<sup>4</sup> include the **Western Washington Hydrologic Model (WWHM)** and **MGS Flood**, both of which are variants of the Hydrologic Simulation Program-FORTRAN (HSPF) model. HSPF is also an approved model, but is more complex than other approved models and is typically used for basin planning and master drainage plan analyses.

Continuous models are well suited to accounting for the climatological conditions in the lowland Puget Sound area. Continuous models include algorithms that maintain a continuous water balance for a catchment to account for soil moisture and hydraulic conditions antecedent to each storm event (Linsley, Kohler, Paulhus, 1982), whereas event models assume initial conditions and only address single hypothetical storm events. As a result, continuous hydrologic models are more appropriate for evaluating runoff during the extended wet winters typical of the Puget Sound area.

The **drawbacks of event models** are summarized as follows:

- Event methods inherently overestimate peak flows from undeveloped land cover conditions. The overestimation is due, in part, to the assumption that runoff from forest and pasture land covers flows across the ground surface. In actuality, the runoff from forests and pastures, on till soils, is dominated by shallow subsurface flows (interflow) which have hydrologic response times much longer than those used in event methods. This leads to an over estimation of predeveloped peak flows, which results in detention facility release rates being overestimated and storage requirements being underestimated.
- A single event cannot represent the sequential storm characteristics of Puget Sound winters.
- Event models assume detention facilities are empty at the start of a design event, whereas actual detention facilities may be partially full as a result of preceding storms.
- Testing of event-designed detention facilities with calibrated, long-term continuous hydrologic simulations demonstrates that these facilities do not achieve desired performance goals.
- Event methods do not allow analysis of flow durations or water level fluctuations.

The **benefits of continuous hydrologic modeling** are summarized as follows:

<sup>1</sup> Footnote 1 does not apply.

<sup>2</sup> Footnote 2 does not apply.

<sup>3</sup> The Soil Conservation Service (SCS) is now known as the National Resources Conservation Service (NRCS). The method described in [Urban Hydrology for Small Watersheds, Technical Release 55 \(TR-55\), June 1986](#), published by the NRCS, is commonly referred to as the “SCS method.”

<sup>4</sup> KCRTS is no longer maintained by King County and is not an approved model for use with the SWDM.

- A continuous model accounts for the long duration and high precipitation volume of winter wet periods characterized by sequential, low-intensity rainfall events. Continuous simulation uses continuous long-term records of observed rainfall rather than short periods of data representing hypothetical storm events. As a result, continuous simulation explicitly accounts for the long duration rainfall events typically experienced in the Pacific Northwest as well as the effects of rainfall antecedent to major storm events.
- HSPF has been shown to more accurately simulate runoff from basins with a wide range of sizes and land covers using the regional parameters developed by the United States Geologic Survey (USGS).
- Continuous simulation allows direct examination of flow duration data for assessing the impacts of development on stream erosion and morphology. An event model, whether using a 1-day or a 7-day storm, cannot provide such information.
- A continuous model allows water level analysis for wetlands, lakes, and closed depressions whose water level regime is often dependent on seasonal runoff rather than on 1-day or 7-day event runoff.
- Continuous models produce flow control facilities that more accurately and effectively achieve desired performance goals.

The importance of continuous modeling in the Puget Sound area is illustrated in Figure 3.1.3.A, which shows a small basin's runoff response to a series of winter storms and the outflow from a detention pond designed to control the peak annual flows from this basin. Note that the largest outflow from the detention pond corresponds not to the peak inflow on 11/6/86, but rather to the high volume of flow from the sequential storms beginning on 11/19/86. This demonstrates a key difference between continuous and event based models.

With an event model, designers are accustomed to working with a single design storm event (e.g., 10-year), which by definition has the same return period once routed through a reservoir (10-year inflow will always generate 10-year outflow). With a continuous model, flow recurrence estimates are based on annual peak flow rates, with each time series being analyzed independently. Events that generate annual peak inflows to a reservoir may not generate annual peak discharges from the reservoir. In other words, the runoff event containing the 10-year inflow peak, when routed, may not create the 10-year outflow peak. This is due to natural variability of storm peaks and volumes (e.g., high intensity/short duration thunderstorms as compared to moderate intensity/long duration winter storms) contained within a continuous record.

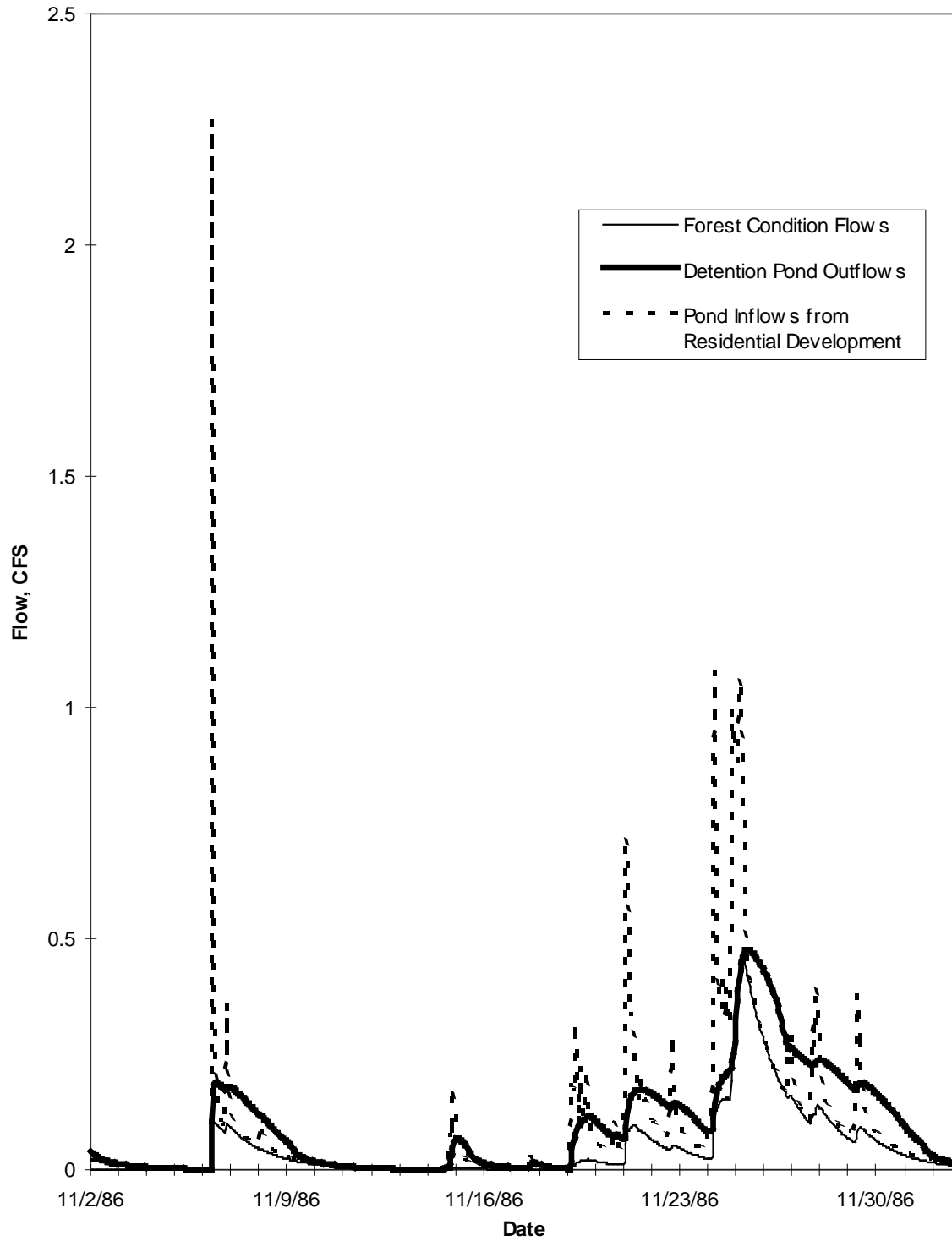
### **Requirements of Continuous Hydrologic Modeling**

For the entire period of simulation, a continuous hydrologic model requires a continuous record of precipitation and evaporation at discrete time steps small enough to capture the temporal variability of hydrologic response, and it provides a continuous record of simulated flows at the same time step. The quicker a basin responds hydrologically (e.g., due to small size, land cover, or lack of detention), the smaller the time step should be. Time steps of 15 minutes are sufficient for most basins in the Puget Sound area.

The continuous hydrologic model must include mathematical representations of hydrologic processes to determine the fate and movement of rainfall. For example, a good continuous hydrologic model must include representations of infiltration processes to determine how much water infiltrates the soil and how much runs off the surface. It must represent shallow and deep soil storage as well as the release of subsurface water to streams via interflow and groundwater flow, and it must also account for the loss of soil water to the atmosphere via evapotranspiration between rainfall events. The benefit of all this computation is a complete hydrologic assessment including information on peak flow rates, flow durations, storm volumes, seasonal volumes, annual volumes, and water levels of receiving bodies.

**FIGURE 3.1.3.A EFFECTS OF SEQUENTIAL STORMS ON DETENTION PERFORMANCE**

**Small Basin Runoff Response:  
surface and interflows from 10-acre till site**



*(This page intentionally left blank)*



## 3.2 RUNOFF COMPUTATION AND ANALYSIS METHODS

This section presents the following four runoff computation methods accepted for hydrologic analysis and design:

- The **Rational Method** described below and detailed in Section 3.2.1
- The **TR-55 or SBUH methods** described below.
- The **Runoff Files Method** described below and detailed in Section 3.2.2
- The **Hydrologic Simulation Program-FORTRAN (HSPF) model** described below and detailed in Section 3.2.4.

### ☐ ACCEPTABLE USES OF RUNOFF COMPUTATION METHODS

Acceptable uses of the four runoff computation methods are summarized below and in Table 3.2:

- **Rational Method:** This method is most appropriate for sizing new conveyance systems that drain smaller, quickly responding tributary areas (i.e., less than 10 acres) where very short, intense storms tend to generate the highest peak flows. The Rational Method may also be used for conveyance sizing in any size basin if the attenuation effects of existing storage features within the basin are ignored.
- **TR-55/SBUH Methods:** The Natural Resources Conservation Service (NRCS, formerly the Soil Conservation Service (SCS)) TR-55 method or the SBUH method of the 1990 King County *Surface Water Design Manual* may be used for conveyance sizing where tributary areas are greater than or equal to 10 acres and if storage features are ignored. The peak flows from these single-event models are considered conservative for larger tributary areas if the flows are not routed through existing storage features. The TR-55 method is also used for water quality volume calculation in this manual. For more background information, refer to NRCS Publication 210-VI-TR-55, Second Edition (June 1986) or the 1990 *SWDM*.
- **The Runoff Files Method:** This continuous modeling method using the approved model is the most versatile for quickly performing many of the computations summarized in Table 3.2. For conveyance sizing and analysis, the peak flows from the approved model are most accurate when the shortest possible time step is used. Unlike the Rational Method, the approved model may be used for tributary areas less than 10 acres where there is a significant storage feature(s). In previous editions of this manual, sizing and analysis of storage features and volume-based water quality facilities used hourly time steps for determination of predevelopment discharges and for routing purposes. As of this edition, the City requires **15-minute time steps<sup>5</sup> for sizing of all flow control facilities, water quality facilities and conveyance** to provide consistent management of surface water and protect against cumulative increases in peak flows on a basin-wide basis (see Sections 3.3.1 and 3.3.2). Methods for analysis and design of detention storage and water levels<sup>6</sup> require the use of the approved model. See the user's documentation for background and guidance.
- **HSPF Model:** For projects in Large Project Drainage Review (see Section 1.1.2.5), the City may require HSPF modeling for formulating a Master Drainage Plan (see *Master Drainage Planning for Large Site Developments – Process and Requirement Guidelines* available from King County). The City also generally encourages use of HSPF for tributary areas larger than 200 acres. The HSPF model can be used wherever the approved model is allowed for sizing and analysis of conveyance systems, flow control facilities, and water quality facilities using a 15-minute time step. For such projects draining to a wetland or potentially impacting groundwater resources or stream base flows, the City

<sup>5</sup> Footnote 5 does not apply.

<sup>6</sup> One of the simplest and most commonly used level pool routing methods is described in the *Handbook of Applied Hydrology* (Chow, Ven Te, 1964) and elsewhere, and summarized in Reference Section 6-C. It is based on the continuity equation and can be completed with a spreadsheet. Although not approved for design with this manual, it provides a background for modeled routing techniques.

may require the collection of actual rainfall and runoff data to be used in developing and calibrating the HSPF model.

**TABLE 3.2 ACCEPTABLE USES OF RUNOFF COMPUTATION METHODS**

TYPE OF COMPUTATION	APPLIED TO	RATIONAL METHOD	TR 55/SBUH	THE APPROVED MODEL	HSPF
<b>PEAK FLOW CONVEYANCE SIZING INC. TESC<sup>(1)</sup> (DESIGN FLOWS)</b> (See Chapter 4 for hydraulic analysis procedures)	<b>Tributary Areas &lt; 10 ac</b> (measured to individual conveyance elements)	REQUIRED for undetained areas, <sup>(2)</sup> and OKAY for detained areas if no storage routing <sup>(3)</sup> is performed		OKAY if majority of tributary area is detained <sup>(4)</sup>	OKAY if majority of tributary area is detained <sup>(4)</sup>
	<b>Tributary Areas ≥ 10 ac</b>	OKAY if no storage routing <sup>(3)</sup> is performed	OKAY if no storage routing <sup>(3)</sup> is performed	OKAY (storage routing is allowed)	OKAY (storage routing is allowed)
<b>LEVEL-POOL ROUTING FLOW CONTROL (NEW/EXIST.) &amp; WQ FACILITY SIZING AND ANALYSIS</b>	<b>Projects in Full Drainage Review</b>			OKAY	OKAY
	<b>Projects in Large Project Drainage Review</b>			MAY BE ALLOWED <sup>(5)</sup>	MAY BE REQUIRED <sup>(5)</sup>
<b>DOWNSTREAM ANALYSIS</b>	<b>Projects in Full or Targeted Drainage Review</b>	OKAY if no storage routing <sup>(3)</sup> is performed	OKAY for tributary areas ≥ 10 ac. if no storage routing <sup>(3)</sup> is performed	OKAY	OKAY
	<b>Projects in Large Project Drainage Review</b>	MAY BE ALLOWED <sup>(5)</sup> if used as described in the box above	MAY BE ALLOWED <sup>(5)</sup> if as described in the box above	MAY BE ALLOWED <sup>(5)</sup> if used as described in the box above	
<b>PEAK FLOWS FOR APPLYING EXEMPTIONS &amp; THRESHOLDS</b>	<b>All Projects</b>			OKAY	OKAY
<p><i>Notes:</i></p> <p>(1) Water quality design flow rates are determined as described in Section 6.2.1.</p> <p>(2) <i>Undetained areas</i> are those upstream of detention facilities or other storage features.</p> <p>(3) <i>Storage routing</i> uses the Level Pool Routing technique (described in Reference Section 6-C) or other similar method to account for the attenuation of peak flows passing through a detention facility or other storage feature.</p> <p>(4) The majority of the tributary area is considered <i>detained</i> if the runoff from more than 50% of the tributary area is detained by a detention facility or other storage facility.</p> <p>(5) For projects in Large Project Drainage Review, the selection of methodology for detention sizing and/or downstream analysis becomes a site-specific or basin-specific decision that is usually made by CED during the scoping process for master drainage plans. Guidelines for selecting the approved model, HSPF, or calibrated HSPF are found in the King County publication <i>Master Drainage Planning for Large or Complex Site Developments</i>, available from King County.</p>					

### 3.2.1 RATIONAL METHOD

The Rational Method is a simple, conservative method for analyzing and sizing conveyance elements serving small drainage subbasins, subject to the following specific **limitations**:

- Only for use in predicting peak flow rates for sizing conveyance elements
- Drainage subbasin area  $A$  cannot exceed 10 acres for a single peak flow calculation
- The time of concentration  $T_c$  must be computed using the method described below and cannot exceed 100 minutes. It is also set equal to 6.3 minutes when computed to be less than 6.3 minutes.

*Note: Unlike other methods of computing times of concentration, the 6.3 minutes is not an initial collection time to be added to the total computed time of concentration.*

#### □ RATIONAL METHOD EQUATION

The following is the traditional Rational Method equation:

$$Q_R = CIA \quad (3-1)$$

where

- $Q_R$  = peak flow (cfs) for a storm of return frequency  $R$
- $C$  = estimated runoff coefficient (ratio of rainfall that becomes runoff)
- $I_R$  = peak rainfall intensity (inches/hour) for a storm of return frequency  $R$
- $A$  = drainage subbasin area (acres)

#### “C” Values

The allowable runoff coefficients to be used in this method are shown in Table 3.2.1.A by type of land cover. These values were selected following a review of the values previously accepted by King County for use in the Rational Method and as described in several engineering handbooks. The values for single family residential areas were computed as composite values (as illustrated in the following equation) based on the estimated percentage of coverage by roads, roofs, yards, and unimproved areas for each density. For drainage basins containing several land cover types, the following formula may be used to compute a composite runoff coefficient,  $C_c$ :

$$C_c = (C_1A_1 + C_2A_2 + \dots + C_nA_n)/A_t \quad (3-2)$$

where

- $A_t$  = total area (acres)
- $A_{1,2,\dots,n}$  = areas of land cover types (acres)
- $C_{1,2,\dots,n}$  = runoff coefficients for each area land cover type

#### “IR” Peak Rainfall Intensity

The peak rainfall intensity  $I_R$  for the specified design storm of return frequency  $R$  is determined using a unit peak rainfall intensity factor  $i_R$  in the following equation:

$$I_R = (P_R)(i_R) \quad (3-3)$$

where

- $P_R$  = the total precipitation at the *project site* for the 24-hour duration storm event for the given return frequency. Total precipitation is found on the Isopluvial Maps in Figure 3.2.1.A through Figure 3.2.1.D.
- $i_R$  = the unit peak rainfall intensity factor

The unit peak rainfall intensity factor  $i_R$  is determined by the following equation:

$$i_R = (a_R)(T_c)^{(-b_R)} \quad (3-4)$$

where  $T_c$  = time of concentration (minutes), calculated using the method described below and subject to equation limitations ( $6.3 \leq T_c \leq 100$ )  
 $a_R, b_R$  = coefficients from Table 3.2.1.B used to adjust the equation for the design storm return frequency  $R$

This “ $i_R$ ” equation was developed by DNRP from equations originally created by Ron Mayo, P.E. It is based on the original **Renton/Seattle Intensity/Duration/Frequency (I.D.F.) curves**. Rather than requiring a family of curves for various locations, this equation adjusts proportionally the Renton/Seattle I.D.F. curve data by using the 24-hour duration total precipitation isopluvial maps. This adjustment is based on the assumption that the localized geo-climatic conditions that control the total volume of precipitation at a specific location also control the peak intensities proportionally.

*Note: Due to the mathematical limits of the equation coefficients, values of  $T_c$  less than 6.3 minutes or greater than 100 minutes cannot be used. Therefore, real values of  $T_c$  less than 6.3 minutes must be assumed to be equal to 6.3 minutes, and values greater than 100 minutes must be assumed to be equal to 100 minutes.*

### “ $T_c$ ” Time of Concentration

The time of concentration is defined as the time it takes runoff to travel overland (from the onset of precipitation) from the most hydraulically distant location in the drainage basin to the point of discharge.

*Note: When  $C_c$  (see Equation 3-2) of a drainage basin exceeds 0.60, it may be important to compute  $T_c$  and peak rate of flow from the impervious area separately.* The computed peak rate of flow for the impervious surface alone may exceed that for the entire drainage basin using the value at  $T_c$  for the total drainage basin. The higher of the two peak flow rates shall then be used to size the conveyance element.

**$T_c$  is computed by summation of the travel times  $T_i$  of overland flow across separate flowpath segments** defined by the six categories of land cover listed in Table 3.2.1.C, which were derived from a chart published by the Soil Conservation Service in 1975. The equation for time of concentration is:

$$T_c = T_1 + T_2 + \dots + T_n \quad (3-5)$$

where  $T_{1,2,\dots,n}$  = travel time for consecutive flowpath segments with different land cover categories or flowpath slope

Travel time for each segment  $t$  is computed using the following equation:

$$T_t = \frac{L}{60V} \quad (3-6)$$

where  $T_t$  = travel time (minutes) Note:  $T_t$  through an open water body (such as a pond) shall be assumed to be zero with this method

$L$  = the distance of flow across a given segment (feet)

$V$  = average velocity (fps) across the land cover =  $k_R \sqrt{S_o}$

where  $k_R$  = time of concentration velocity factor; see Table 3.2.1.C

$S_o$  = slope of flowpath (feet/feet)

**TABLE 3.2.1.A RUNOFF COEFFICIENTS – “C” VALUES FOR THE RATIONAL METHOD**

General Land Covers		Single Family Residential Areas*	
Land Cover	C	Land Cover Density	C
Dense forest	0.10	0.20 DU/GA (1 unit per 5 ac.)	0.17
Light forest	0.15	0.40 DU/GA (1 unit per 2.5 ac.)	0.20
Pasture	0.20	0.80 DU/GA (1 unit per 1.25 ac.)	0.27
Lawns	0.25	1.00 DU/GA	0.30
Playgrounds	0.30	1.50 DU/GA	0.33
Gravel areas	0.80	2.00 DU/GA	0.36
Pavement and roofs	0.90	2.50 DU/GA	0.39
Open water (pond, lakes, wetlands)	1.00	3.00 DU/GA	0.42
		3.50 DU/GA	0.45
		4.00 DU/GA	0.48
		4.50 DU/GA	0.51
		5.00 DU/GA	0.54
		5.50 DU/GA	0.57
		6.00 DU/GA	0.60

\* Based on average 2,500 square feet per lot of impervious coverage.  
For combinations of land covers listed above, an area-weighted “ $C_c \times A_i$ ” sum should be computed based on the equation  $C_c \times A_i = (C_1 \times A_1) + (C_2 \times A_2) + \dots + (C_n \times A_n)$ , where  $A_B = (A_1 + A_2 + \dots + A_n)$ , the total drainage basin area.

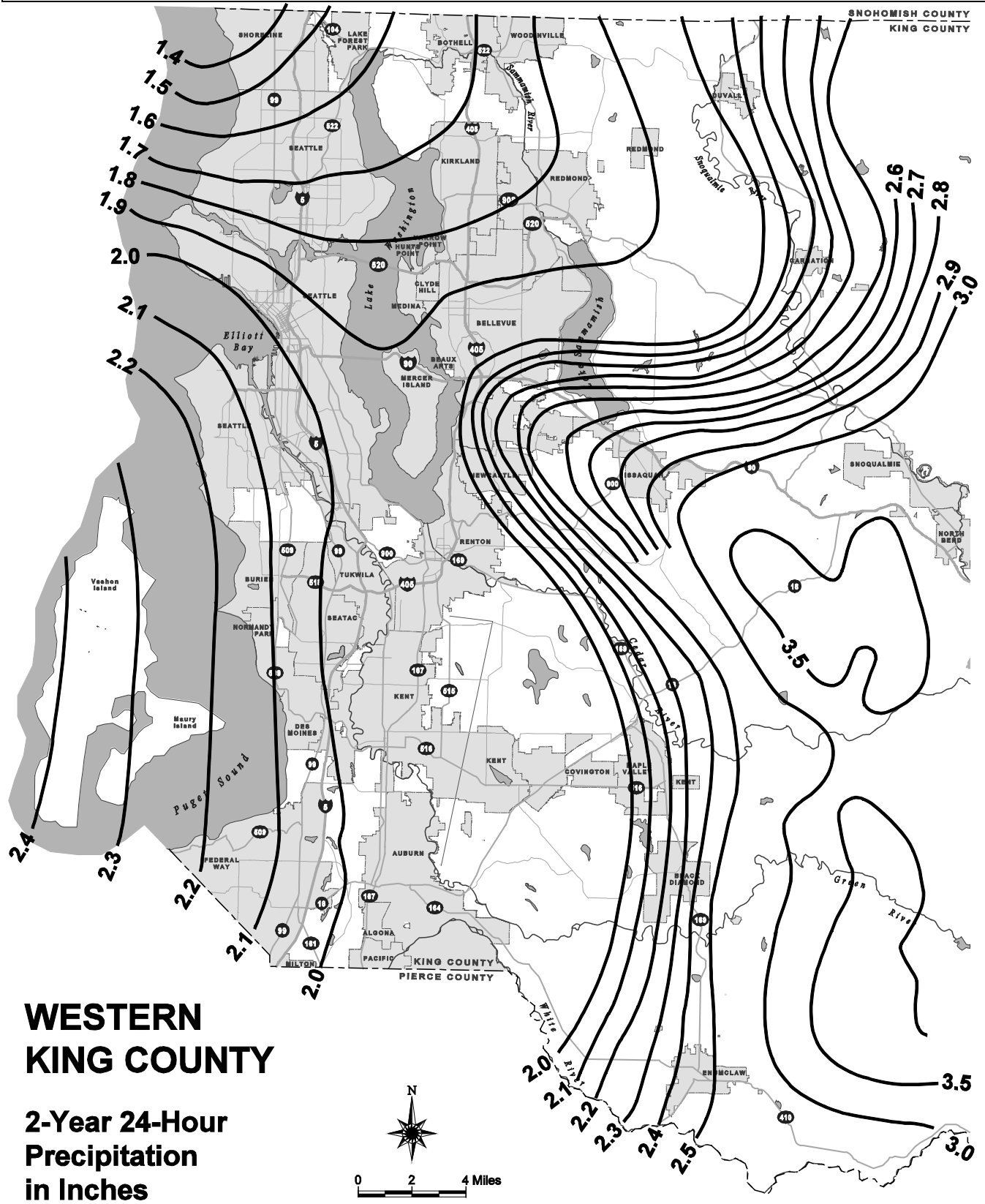
**TABLE 3.2.1.B COEFFICIENTS FOR THE RATIONAL METHOD “ $I_R$ ” EQUATION**

Design Storm Return Frequency	$a_R$	$b_R$
2 years	1.58	0.58
5 years	2.33	0.63
10 years	2.44	0.64
25 years	2.66	0.65
50 years	2.75	0.65
100 years	2.61	0.63

**TABLE 3.2.1.C  $K_R$  VALUES FOR  $T_T$  USING THE RATIONAL METHOD**

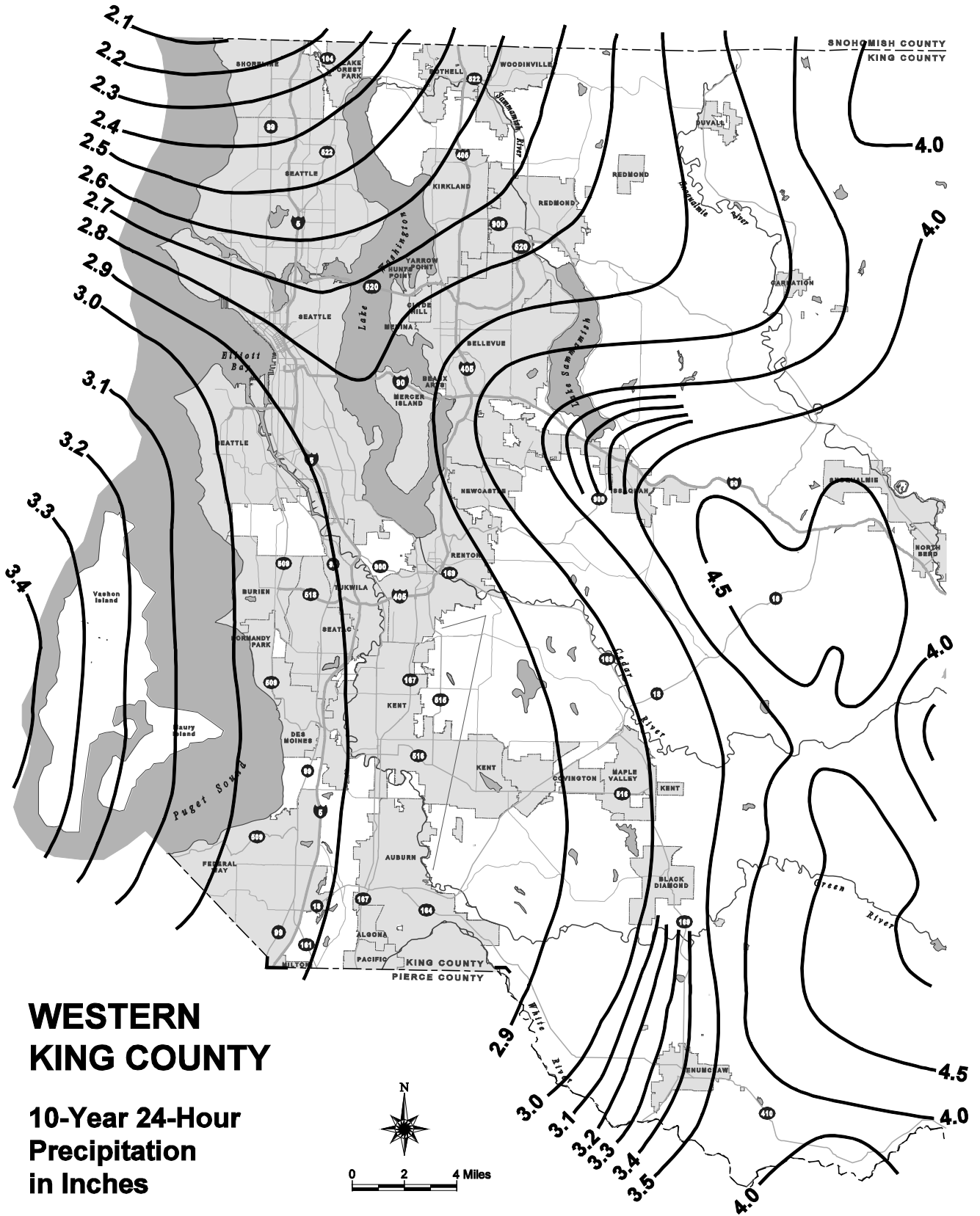
Land Cover Category	$k_R$
Forest with heavy ground litter and meadow	2.5
Fallow or minimum tillage cultivation	4.7
Short grass pasture and lawns	7.0
Nearly bare ground	10.1
Grassed waterway	15.0
Paved area (sheet flow) and shallow gutter flow	20.0

**FIGURE 3.2.1.A 2-YEAR 24-HOUR ISOPLUVIALS**



**WESTERN  
KING COUNTY**  
**2-Year 24-Hour  
Precipitation  
in Inches**

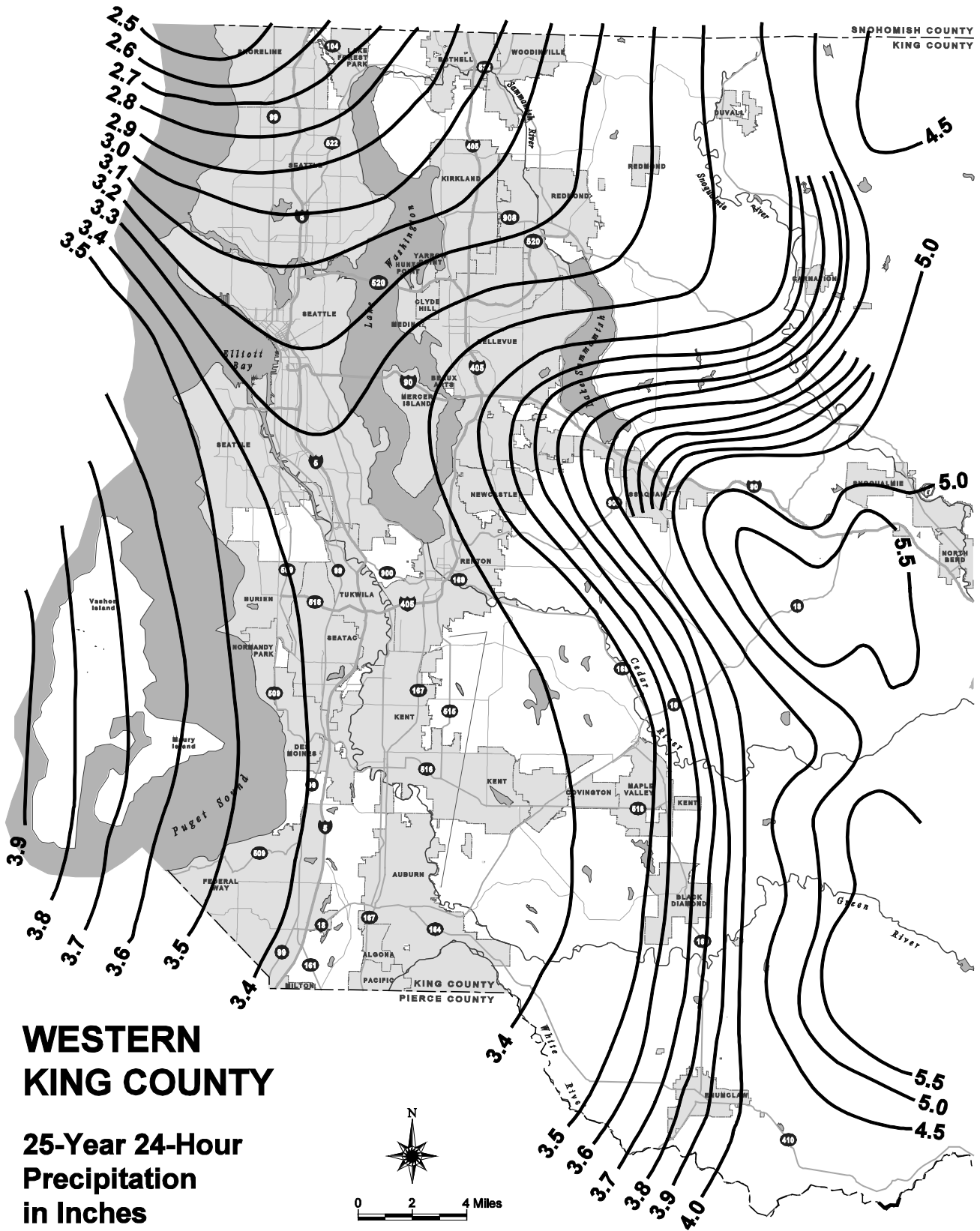
**FIGURE 3.2.1.B 10-YEAR 24-HOUR ISOPLUVIALS**



**WESTERN  
KING COUNTY**

**10-Year 24-Hour  
Precipitation  
in Inches**

**FIGURE 3.2.1.C 25-YEAR 24-HOUR ISOPLUVIALS**

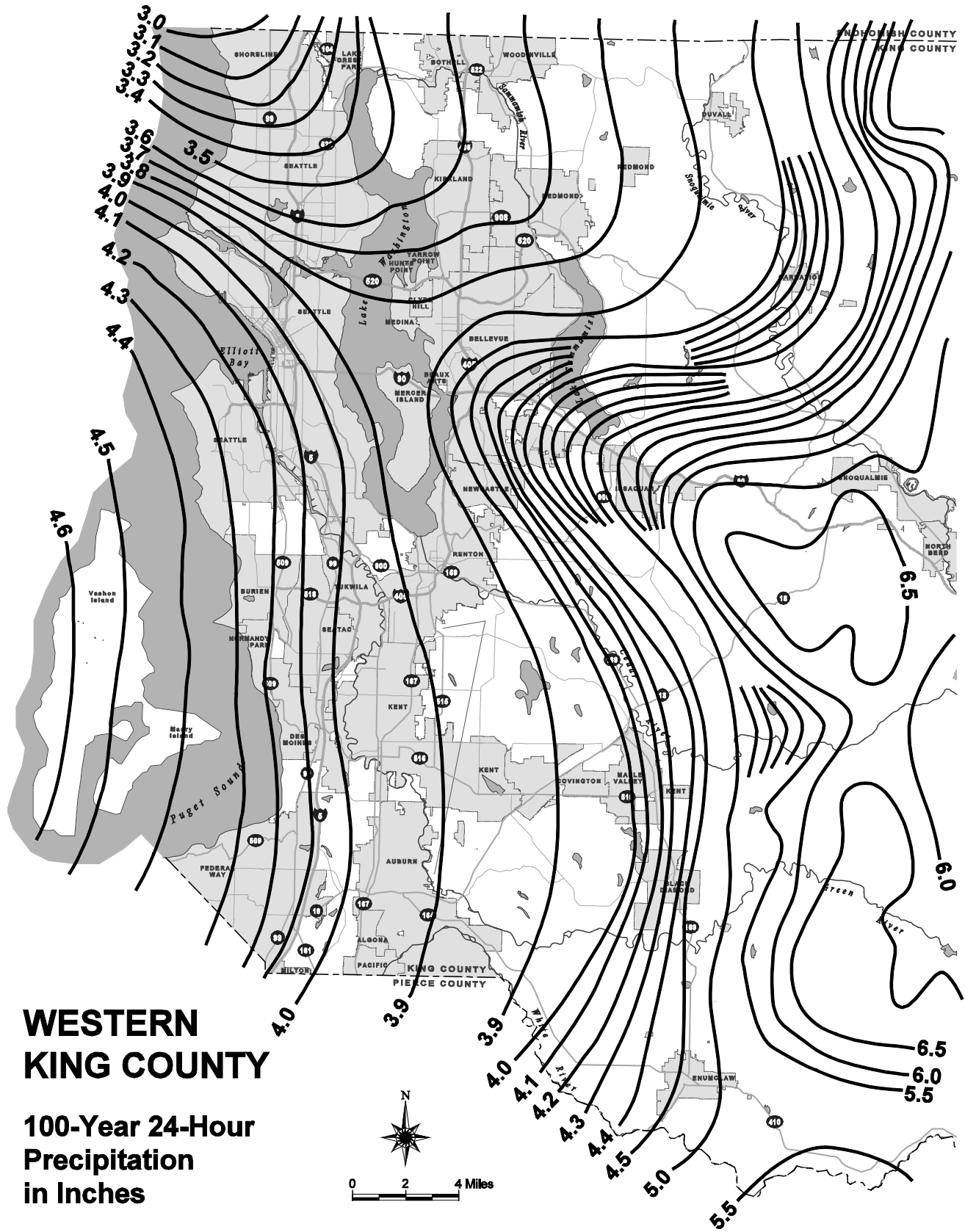


**WESTERN  
KING COUNTY**

**25-Year 24-Hour  
Precipitation  
in Inches**



**FIGURE 3.2.1.D 100-YEAR 24-HOUR ISOPLUVIALS**



**WESTERN  
KING COUNTY**  
**100-Year 24-Hour  
Precipitation  
in Inches**

**□ RATIONAL METHOD EXAMPLE**

Compute the peak flow  $Q_{25}$  to size a new roadway cross culvert for a 9.8-acre drainage basin east of Kent,  $P_{25} = 3.42$  inches.

Given: AREAS

$A_1 = 4.3$  acres of single family residential area at 3.8 DU/GA

$A_2 = 2.3$  acres of light forest

$A_3 = 3.2$  acres of pasture

$A_t = 9.8$  total acres

DESCRIPTION OF FLOWPATH SEGMENTS FOR  $T_c$

$L_1 = 300$  feet     $s_1 = 0.08$     forest land cover     $k_R = 2.5$

$L_2 = 200$  feet     $s_2 = 0.03$     meadow     $k_R = 2.5$

$L_3 = 1000$  feet     $s_3 = 0.015$     grassed waterway (ditch)     $k_R = 15.0$

Compute: COMPOSITE RUNOFF COEFFICIENT  $C_c$

$A_1$ :  $C_1 =$  From Table 3.2.1.A,  $C$  for 4.00 DU/GA = 0.48,  $C$  for 3.50 DU/GA = 0.45.  
Therefore,  $C_1$  for 3.80 DU/GA = 0.47 by visual interpolation.

$A_2$ :  $C_2 = 0.15$

$A_3$ :  $C_3 = 0.20$

$C_c = [(C_1 \times A_1) + (C_2 \times A_2) + (C_3 \times A_3)]/A_t$   
 $= [(0.47 \times 4.3) + (0.15 \times 2.3) + (0.20 \times 3.2)]/9.8 = \underline{0.31}$

PEAK RAINFALL INTENSITY  $I_R$

First, compute  $T_c$ :

$$T_1 = \frac{L_1}{60V_1} = \frac{L_1}{60(k_R\sqrt{s_1})} = \frac{300}{60(2.5\sqrt{0.08})}$$

$$= \underline{7 \text{ minutes}}$$

$$T_2 = \frac{L_2}{60V_2} = \frac{L_2}{60(k_R\sqrt{s_2})} = \frac{200}{60(2.5\sqrt{0.03})}$$

$$= \underline{8 \text{ minutes}}$$

$$T_3 = \frac{L_3}{60V_3} = \frac{L_3}{60(k_R\sqrt{s_3})} = \frac{1000}{60(15\sqrt{0.015})}$$

$$= \underline{9 \text{ minutes}}$$

$$T_c = T_1 + T_2 + T_3 = 7 + 8 + 9 = \underline{24 \text{ minutes}}$$

Second, compute  $i_R$  for  $R = 25$ :

$$i_{25} = (a_R)(T_c)^{(-b_R)} = (2.66)(24)^{-(0.65)} = \underline{0.34}$$

Third, compute  $I_R$  for  $R = 25$ :

$$I_{25} = (P_{25})(i_{25}) = (3.42)(0.34) = \underline{1.16}$$

PEAK RUNOFF RATE

$$Q_{25} = C I_{25} A = C_c I_{25} A = (0.31)(1.16)(9.8) = \underline{3.5 \text{ cfs}}$$

## 3.2.2 CONTINUOUS MODELS AND THE RUNOFF FILES METHOD

The approved continuous model/runoff files implementations of HSPF were developed as tools that have the accuracy and versatility of HSPF but are much simpler to use and provide a framework for efficient design of onsite stormwater detention facilities. This section describes the Runoff Files Method. The term *runoff files* refers to a database of continuous flows presimulated by HSPF. The KCRTS software package has formerly been a tool for using this flow database. Current approved continuous models are listed in Reference Section 6-D (as updated); as of this writing, they include the Western Washington Hydrology Model (WWHM) and MGSFlood<sup>7</sup>. Projects are required to use the same model throughout unless otherwise approved through the adjustment process described in Section 1.4.

The Runoff Files method was developed as a hydrologic modeling tool for western King County to produce results (design flows, detention pond sizing, etc.) comparable to those obtained with the U.S. Environmental Protection Agency's HSPF model but with significantly less effort. This is achieved by providing the user with a set of time series files of unit area land surface runoff ("runoff files") presimulated with HSPF for a range of land cover conditions and soil types within King County. The design flows are estimated and detention facilities are designed by directly accessing and manipulating the runoff file data by means of the continuous modeling software. Typical basic capabilities of the continuous modeling software include:

- Estimating time series of flows for a specified land use and location within King County
- Analyzing flow frequency and duration
- Analyzing water surface frequency and duration
- Plotting analysis results
- Sizing detention facilities.

### □ DEVELOPMENT OF THE RUNOFF FILES

To compile the runoff files, the land surface hydrologic response (represented by a time series of unit area land surface runoff) was generated by HSPF with regional parameters for a variety of land use classifications and for a long-term (over 50-year) rainfall station representing the western lowlands of King County (Sea-Tac Airport). A 158-year extended precipitation timeseries (Puget East) was also developed by MGS Consulting. The City allows the use of either the 50-year Sea-Tac Airport gage data or the 158-year simulated timeseries for sizing. The methods for developing the runoff files are specific to the individual approved models. Consult the program documentation and the software provider's website information for the particular model for background on the development of the runoff files for that model.

Runoff time series were generated with data from these and other stations for the following **eight soil/land cover types**:

- Impervious
- Till forest
- Till pasture
- Till grass
- Outwash forest
- Outwash pasture
- Outwash grass
- Wetland.

HSPF and the approved models simulate surface runoff, interflow, and groundwater flow. Groundwater flow, **induced by surface runoff or occurring naturally**, is usually lost from the system through the

<sup>7</sup> King County no longer provides development, training and maintenance of the KCRTS model, and provides limited support dependent on staff availability.

analysis, but may require consideration in the analysis if it expresses to the surface. Consult the user's guide for application of the interflow and groundwater components of runoff in the approved continuous model.

### 3.2.2.1 GENERATING TIME SERIES

Most hydrologic analyses will require time series of flows for different land use conditions. For example, to size a flow control detention facility to meet the Peak Rate Flow Control Standard, the 2-, 10-, and 100-year peaks from the facility discharge time series must be compared with 2-, 10-, and 100-year peaks from the predevelopment time series. To generate a flow time series with the approved continuous model, depending on the model used, the program applies the following:

1. As determined by selecting the project's location on a map,
  - The **rainfall region** within which the project lies (i.e., Sea-Tac) and multiplier (a **regional scale factor** applied to the runoff files) to account for variations in rainfall volumes between the *project site* and the rainfall station, *or*
  - A calibrated **area-specific rainfall map** developed from the Sea-Tac rainfall data, *or*
  - A long-term (158-year) simulated precipitation timeseries (i.e., Puget East), *or*
  - Site specific calibrated rainfall data. See the approved model's documentation for background on the development of the runoff files for the model.
2. The **time step** to be used in the analysis. As of this manual update, **15-minute time steps are required for all applications including detention sizing and volume analysis.**
3. The **complete historical runoff record** used in the analysis:
4. The **amount of land** (acreage) of each soil/cover group for the subbasin under study, as calculated per model methodology and the methods described in this chapter.
5. If applicable, the **percentage of impervious area** that is effectively connected to the drainage system, typically accounted for by adjusting actual impervious area for the model inputs.

See the user's documentation for the approved model for methodology and guidance for generating a new time series. See Reference Section 6-D for specific guidance to be used with this manual.

#### ❑ SELECTION OF PRECIPITATION RECORD AND REGIONAL SCALE FACTOR

As noted in the previous section, runoff files were developed using rainfall data from Sea-Tac Airport.

The *regional scale factor* is a geographically variable multiplier applied to the flow time series to account for the variations in rainfall amounts, and hence runoff. Whereas previous models (e.g., KCRS) required determination by mapped values as data input, the scaling effects are determined in the currently approved continuous models (e.g., WWHM and MGS Flood) by selecting the project location within the model. See the approved model user's documentation for background and guidance.

Alternatively, the user can select the 158-year simulated precipitation timeseries (Puget East) for sizing. This precipitation timeseries can be found by selected "Use WS-DOT data" in WWHM or under "Extended Timeseries" in MGS Flood. A scaling factor does not need to be applied to the Puget East precipitation timeseries.

#### ❑ CATEGORIZATION OF SOIL TYPES AND LAND COVER

The Runoff Files method typically supports several land use classifications, including till forest, till pasture, till grass, outwash forest, outwash pasture, outwash grass, wetland, and impervious. These classifications incorporate both the effects of soil type and land cover. In the SCS method, four different hydrologic soil groups are defined (A, B, C, and D) based on soil type as mapped by the SCS. The SCS also defines hydrologic response for about a dozen different land use or cover types. The SCS method

therefore allows the user a considerably greater degree of flexibility in defining land cover and soil types than do continuous models. However, the flexibility and apparent detail available with the SCS method cannot be supported on the basis of the data used to develop that method. The Runoff Files method minimizes the number of land use classifications, thereby simplifying both the analysis and review of development proposals.

### **Soil Groups for the Continuous Model**

The following soil characterization is generally true for continuous models; however, consult the model documentation for specific applicability.

#### **Till Soils**

*Till soils* are underlain at shallow depths by relatively impermeable glacial till. The principal SCS soil group within the City classified as a till soil is the Alderwood series (SCS hydrological soil group C). The hydrologic response of till soils in an undeveloped, forested state is characterized by relatively slight surface runoff, substantial interflow occurring along the interface between the till soil and the underlying glacial till, and slight groundwater seepage into the glacial till.

Bedrock soils, primarily Beausite and Ovall soils in King County, are underlain by either sandstone or andesite bedrock, and a large group of alluvial soils.

Alluvial soils are found in valley bottoms. These are generally fine-grained and often have a high seasonal water table. There has been relatively little experience in calibrating the HSPF model to runoff from these soils, so in the absence of better information, these soils have been grouped as till soils. Most alluvial soils are classified by the SCS in hydrologic soil groups C and D.

#### **Outwash Soils**

*Outwash soils* are formed from highly permeable sands and gravels. The principal SCS soil group classified as an outwash soil is the Everett series. Where outwash soils are underlain at shallow depths (less than 5 feet) by glacial till or where outwash soils are saturated, they may need to be treated as till soils for the purpose of application in the model. Refer to the model documentation for specifics.

#### **Wetland Soils**

*Wetland soils* have a high water content, are poorly drained, and are seasonally saturated. For the purposes of applying continuous modeling in King County, wetland soils can be assumed to coincide with wetlands as defined in the critical areas code (RMC 4-3-050 ).

The approximate correspondence between SCS soil types and the appropriate soil group for typical continuous modeling is given in Table 3.2.2.A (refer to the model documentation for specific soil group application for the model). If the soils underlying a proposed project have not been mapped, or if existing soils maps are in error or not of sufficient resolution, then a soils analysis and report shall be prepared and stamped by a *civil engineer* with expertise in soils to verify underlying soil conditions.

**TABLE 3.2.2.A EQUIVALENCE BETWEEN SCS SOIL TYPES AND TYPICAL CONTINUOUS MODELING SOIL TYPES**

SCS Soil Type	SCS Hydrologic Soil Group	Soil Group for Continuous Model	Notes
Alderwood (AgB, AgC, AgD)	C	Till	
Arents, Alderwood Material (AmB, AmC)	C	Till	
Arents, Everett Material (An)	B	Outwash	1
Beausite (BeC, BeD, BeF)	C	Till	2
Bellingham (Bh)	D	Till	3
Briscot (Br)	D	Till	3
Buckley (Bu)	D	Till	4
Earlmont (Ea)	D	Till	3
Edgewick (Ed)	C	Till	3
Everett (EvB, EvC, EvD, EwC)	A/B	Outwash	1
Indianola (InC, InA, InD)	A	Outwash	1
Kitsap (KpB, KpC, KpD)	C	Till	
Klaus (KsC)	C	Outwash	1
Neilton (NeC)	A	Outwash	1
Newberg (Ng)	B	Till	3
Nooksack (Nk)	C	Till	3
Norma (No)	D	Till	3
Orcas (Or)	D	Wetland	
Oridia (Os)	D	Till	3
Ovall (OvC, OvD, OvF)	C	Till	2
Pilchuck (Pc)	C	Till	3
Puget (Pu)	D	Till	3
Puyallup (Py)	B	Till	3
Ragnar (RaC, RaD, RaE)	B	Outwash	1
Renton (Re)	D	Till	3
Salal (Sa)	C	Till	3
Sammamish (Sh)	D	Till	3
Seattle (Sk)	D	Wetland	
Shalcar (Sm)	D	Till	3
Si (Sn)	C	Till	3
Snohomish (So, Sr)	D	Till	3
Sultan (Su)	C	Till	3
Tukwila (Tu)	D	Till	3
Woodinville (Wo)	D	Till	3
<p>Notes:</p> <ol style="list-style-type: none"> <li>Where outwash soils are saturated or underlain at shallow depth (&lt;5 feet) by glacial till, they should be treated as till soils.</li> <li>These are bedrock soils, but calibration of HSPF by King County shows bedrock soils to have similar hydrologic response to till soils.</li> <li>These are alluvial soils, some of which are underlain by glacial till or have a seasonally high water table. In the absence of detailed study, these soils should be treated as till soils.</li> <li>Buckley soils are formed on the low-permeability Osceola mudflow. Hydrologic response is assumed to be similar to that of till soils.</li> </ol>			

## Land Cover Types in Continuous Modeling

Continuous models support land cover types including forest, pasture, grass, and impervious. These cover types shall be applied in accordance with Core Requirement #3 and as specified in Table 3.2.2.B. Predevelopment land cover types are determined by whether the project is in a Peak Rate Flow Control Standard Area or Flow Control Duration Standard Area and whether the area in question is a target surface, as defined in Section 1.2.3.1. Target surfaces within Peak Rate Flow Control Standard Areas and Flow Control Duration Standard Matching Existing Condition Areas and non-target surfaces are modeled as *existing site conditions*; for target surfaces in Flow Control Duration Standard Matching Forested Condition Areas, the predeveloped condition is assumed to be forested (*historical*) *site conditions*.

<b>TABLE 3.2.2.B CONTINUOUS MODEL COVER GROUPS AND AREAS OF APPLICATION</b>		
<b>Continuous Model</b>	<b>Application</b>	
<b>Cover Group</b>	<b>Predevelopment</b>	<b>Post-Development</b>
Forest	All forest/shrub cover, irrespective of age.	All permanent (e.g., protected by covenant or critical area designation) onsite forest/shrub cover, irrespective of age, planted at densities sufficient to ensure 80%+ canopy cover within 5 years.
Pasture	All grassland, pasture land, lawns, and cultivated or cleared areas, except for lawns in redevelopment areas with predevelopment densities in excess of 4 DU/GA.	Unprotected forest in rural residential development shall be considered half pasture, half grass. Pasture areas to be retained on large rural residential lots (10 acres or greater) may be modeled as half pasture, half grass.
Grass	Lawns in redevelopment areas with predevelopment densities in excess of 4 DU/GA.	All post-development grassland and landscaping and all onsite forested land not protected by covenant or designated as a protection area (wellhead, wetland, or buffer) in RMC 4-3-050 (except in rural areas as noted above).  For purposes of runoff modeling, underdrained pervious areas may be modeled explicitly to account for attenuation and infiltration, or may be modeled as 50% impervious/50% grass where either: (a) there is no added liner, (b) where the added liner is a treatment liner, or (c) where the added liner is one that does not restrict infiltration rates below the in situ soil infiltration rate. Other lined underdrained systems must be modeled explicitly or as 100% impervious.
Wetland	All delineated wetland areas.	All delineated wetland areas.
Impervious <sup>(1)</sup>	All impervious surfaces, including heavily compacted gravel and dirt roads, parking areas, etc., and open water bodies (ponds and lakes).	All impervious surfaces, including compacted gravel and dirt roads, parking areas, etc., and open water bodies, including onsite detention and water quality ponds. <sup>(2)</sup>
<p><sup>(1)</sup> Impervious acreage used in computations should be the <b>effective impervious area (EIA)</b>. This is the effective area as determined through layouts of the proposal and on-site BMP credit reductions from Table 1.2.9.A in Chapter 1. Non-effective impervious areas are considered the same as the surrounding pervious land cover.</p> <p><sup>(2)</sup> To avoid iterations in the facility sizing process, the “assumed size” of the facility need only be within 80% of the final facility size when modeling its contribution of runoff from direct rainfall.</p>		

The following factors are considered in specifying the above land cover types to be used in hydrologic analysis with continuous modeling:

- Cover types are applied to anticipate ultimate land use conditions. For example, probable clearing of woodland after development is nominally complete suggests that the post-development land use be specified as grassland (either pasture or grass) unless the forest cover is protected by covenant.
- In areas of redevelopment, there are often significant changes between the predevelopment and post-development efficiencies of the drainage system. For example, in conversion of low density residential areas to higher density land use, impervious areas prior to redevelopment may not be efficiently connected to a drainage system (e.g., downspouts draining to splash blocks, ditched instead of piped roadway systems). These problems are addressed by defining an “effective impervious fraction” for existing impervious areas and by generally requiring predevelopment grasslands to be modeled as pasture land.
- All onsite, predevelopment forest/shrub cover and all offsite forest/shrub cover is defined as “forest,” irrespective of age. Post-development onsite land use is defined as forested only if forested areas are in a critical area buffer or are otherwise protected and will have a minimum 80% canopy cover within 5 years. In urban areas, unprotected onsite forest cover should be treated as grass in the post-development analysis. In rural areas, unprotected forest cover should be assumed 50% grass, 50% pasture.
- The HSPF grass parameters were developed by the USGS study of regional hydrology and have generally been interpreted as providing the hydrologic response for “urban” grasslands (lawns, etc.), which have relatively low infiltration rates and are drained effectively. The HSPF “pasture” parameters were developed to provide a hydrologic response intermediate to the USGS forest and grass parameters, as might be typified by ungrazed or lightly grazed pasture with good grass cover. Because it is impossible to adequately control grassland management after development, all **post-development grassland should be modeled as “grass”** (with the exception of unprotected forest, and pasture areas on large lots, in rural development as noted above). All **predevelopment grassland should be modeled as “pasture”** except for redevelopment of areas with predevelopment land use densities of 4 DU/GA or greater (which are modeled as grass).

## □ CALCULATION OF IMPERVIOUS AREA

### Total Impervious Coverage

Table 3.2.2.C lists percent impervious coverage for use in continuous runoff modeling analysis of **existing** residential, commercial, and industrial areas. The tabulated figures are useful in offsite analysis that includes large developed residential areas, making a detailed survey of impervious coverage impractical.

Impervious coverage for **proposed** residential, commercial, and industrial development must be estimated for each specific proposal. Impervious coverage of streets, sidewalks, hard surface trails, etc., shall be taken from layouts of the proposal. House/driveway or building coverage shall be as follows:

- For urban residential development, the assumed impervious coverage shall not be less than 4,000 square feet per lot or the maximum impervious coverage permitted by Table 3.2.2.C, whichever is less.
- For commercial, multi-family, and industrial development, impervious coverage shall be estimated from layouts of the proposal.



TABLE 3.2.2.C MAXIMUM IMPERVIOUS COVERAGE FOR RESIDENTIAL AREAS	
Zoning Designation	Maximum Impervious Surface Area
Resource Conservation (RC)	Lots 5 acres or more: 20% Lots 10,000 sq ft: 55%. For each additional 10,000 sq ft increase in lot size, the impervious coverage shall be decreased by 1.75% to a minimum of 20% for a 5-acre lot Lots 10,000 sq ft or less: 55%
Residential-1 (R-1)	30%
Residential-4 (R-4)	55%
Residential-8 (R-8)	75%
Residential-10 (R-10)	Detached units: 75% Attached units: 65%
Residential-14 (R-14)	85%

### Effective Impervious Area

The net hydrologic response of an impervious area depends on whether that area is effectively connected (usually by pipes or a channel) to a storm drainage system. The impervious area that the user inputs to the continuous model is the “Effective Impervious Area” (EIA).

**Non-effective impervious area (i.e., total impervious area less EIA) is assumed to have the same hydrologic response as the immediately surrounding pervious area.** For example, for existing residential areas with rooftops draining to splash pads on lawns or landscaping, the non-effective portion of the roof areas would be treated as pasture for predevelopment conditions (if DU/GA < 4.0) and grass for post-development conditions. *Note: Credits for infiltration/dispersion of downspouts on individual lots in proposed single family residential subdivisions are applied separately on a site-specific basis. Core Requirement #9 outlines where the use of on-site BMPs may be used to reduce the effective impervious area of the project.*

The effective impervious area can be determined from detailed *site* surveys.

### 3.2.2.2 TIME SERIES STATISTICAL ANALYSIS

When using a continuous runoff model to size flow control, water quality, and conveyance facilities, design flows and durations must be determined through statistical analysis of time series data generated by the software. **Flow frequency analysis** is used for determining design peak flows while **flow duration analysis** is used for determining durations of flow exceedance.

#### □ FLOW FREQUENCY ANALYSIS

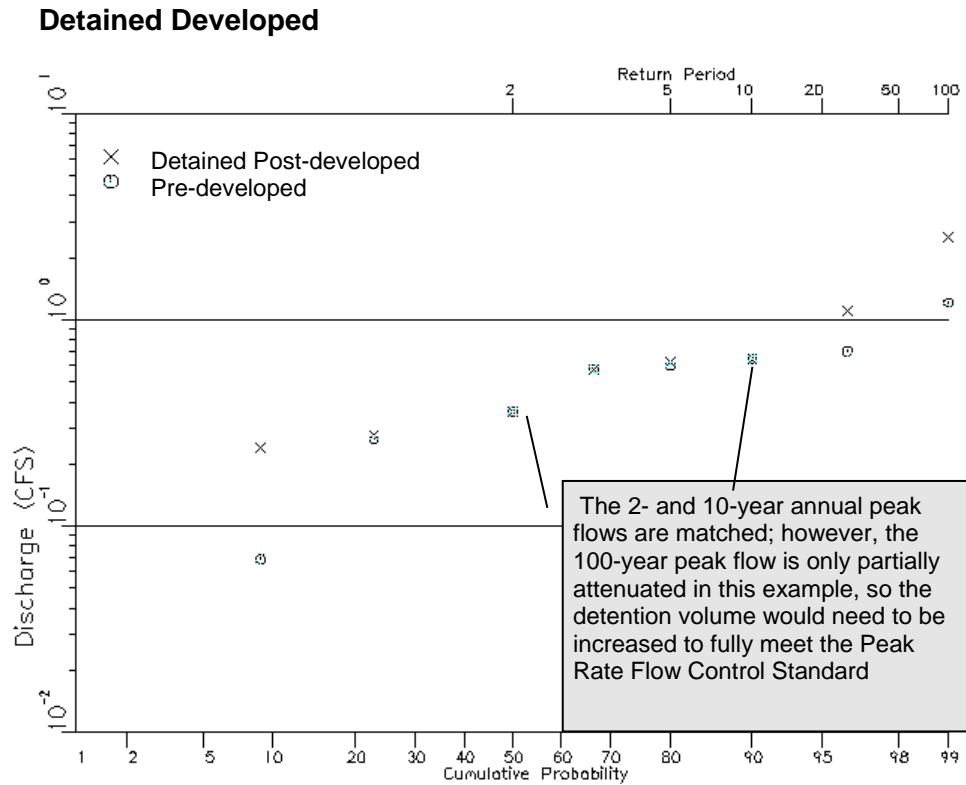
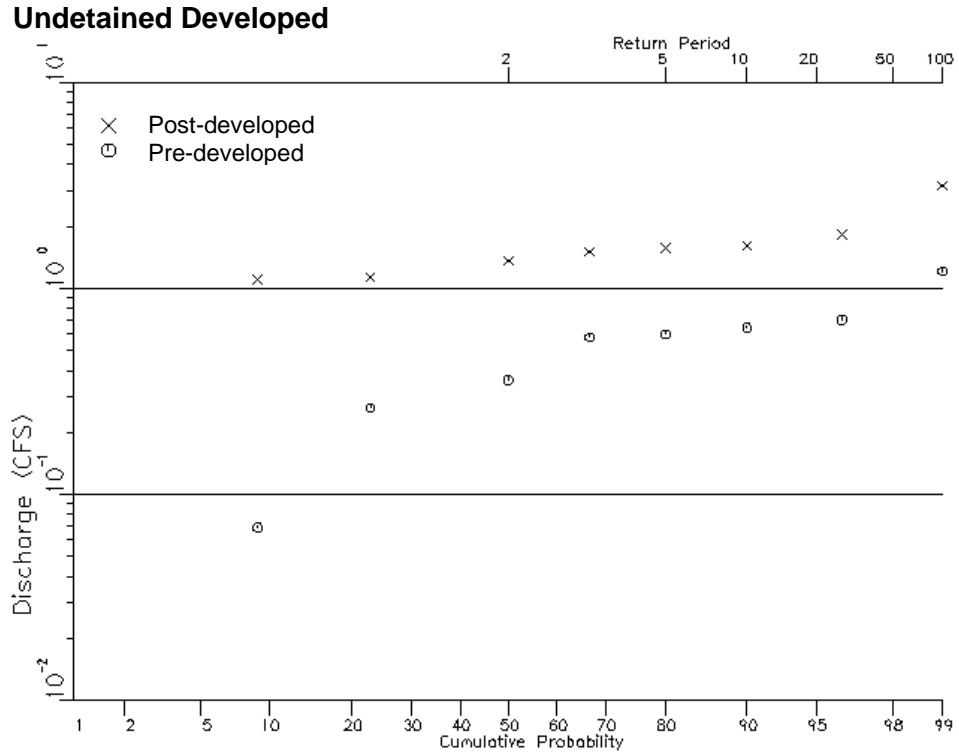
Flow frequency is a commonly used but often misunderstood concept. The *frequency of a given flow* is the average return interval for flows equal to or greater than the given flow. The *flow frequency* is actually the inverse of the probability that the flow will be equaled or exceeded in any given year (the *exceedance probability*). For example, if the exceedance probability is 0.01, or 1 in 100, that flow is referred to as the 100-year flow. Assuming no underlying changes in local climate, one would expect to see about 10 peak annual flows equal to or greater than the 100-year flow in a 1,000-year period. Similarly, the 2-year flow is the flow with a probability of 0.5, or 1 in 2, of being equaled or exceeded in any given year. In a 100-year period, one would expect to observe 50 peak annual flows greater than or equal to the 2-year flow. The number of peak annual flows actually equal to the 2-year flow may be zero, since peak annual flows come from a continuous spectrum.

There are many **methods for estimating exceedance probabilities** and therefore flow frequencies. The *USGS Bulletin 17B* methods are commonly used, as are graphical methods using the Gringorten, Cunane,

or Weibull plotting schemes (Maidment, 1993). Graphical methods for flow frequency estimation involve assigning exceedance probabilities, and therefore return intervals, to each annual peak in a series of annual peak observations, and then plotting the peak flows against their assigned return periods. This plot is known as a *flow-frequency curve*, and it is a very useful tool for analyzing flood probabilities. Examples of flow-frequency curves for a small basin under various conditions are shown in Figure 3.2.2.A.

**Flow-frequency curves** are used in continuous flow simulations to determine the effect of land use change and assess the effectiveness of detention facilities. Using continuous methodology to design detention facilities to control peak flows, the analyst must match (i.e., *not exceed*) the post-development (detained) and predevelopment flow-frequency curves at the frequencies of interest, as shown in Figure 3.2.2.A, rather than match specific design events as when using an event model.

**FIGURE 3.2.2.A EXAMPLE FLOW FREQUENCY ANALYSIS**



Flow frequency information is derived from the time series flow file by plotting the peak annual events in the runoff file and calculating runoff frequencies using a Log Pearson distribution or other statistical analysis. Typical return periods calculated in continuous models are the 100-year, 50-year, 25-year, 10-year, 5-year, 3-year, 2-year, and lesser storms for low-flow regime, LID and water quality applications.

### □ FLOW DURATION ANALYSIS

Flow duration analysis is important because it identifies the changes in durations of all high flows rather than simply the change in frequency of the peak annual flows. Channel scour and bank erosion rates rise proportionally with increases in flow durations. Flow duration analysis can only be conducted with continuous flow models or from gage records.

A **flow duration curve** is a plot of flow rate against the percentage of time that the flow rate is exceeded. In a continuous flow model, the *percent exceedance* of a given flow is determined by counting the number of time steps during which that flow is equaled or exceeded and dividing that number by the total number of time steps in the simulation period. Flow duration curves are usually plotted with a linear flow scale versus a log scale of percent exceedance. The log scale for exceedance percentage is used because geomorphically significant flows (flows capable of moving sediment) and flows that exceed the 2-year flow typically occur less than one percent of the total time.

### □ DURATIONS AND PEAKS FOR FLOW CONTROL STANDARDS

The Flow Control Duration Standard matching existing site conditions and Flow Control Duration Standard matching forested site conditions per Section 1.2.3.1 requires matching predevelopment and post-development flow duration curves for all flows from 50% of the 2-year flow up to the full 50-year flow.

To simplify design, brief excursions<sup>8</sup> of post development durations above the target predevelopment durations are allowed for matching flows greater than 50% of the predevelopment 2-year peak flow. These excursions shall not increase the duration of discharge by more than 10% at any flow level and must be strictly below the target duration curve at the low end of the range of control from 50% of the 2-year peak flow to the 2-year peak flow. This allows efficient design using only two orifices for most applications, although two-orifice designs may not allow sizing with automatic pond sizing routines; see the software documentation for guidance. An example of a flow duration analysis is shown in Figure 3.2.2.B.

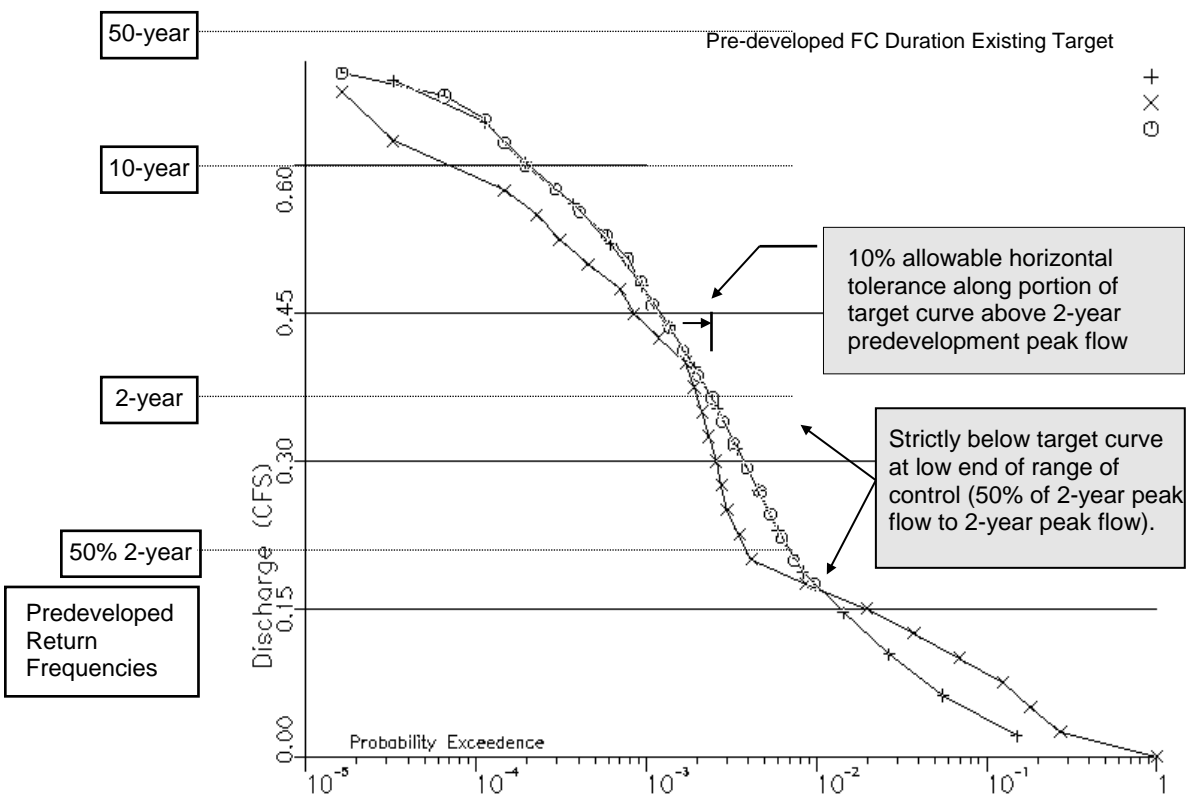
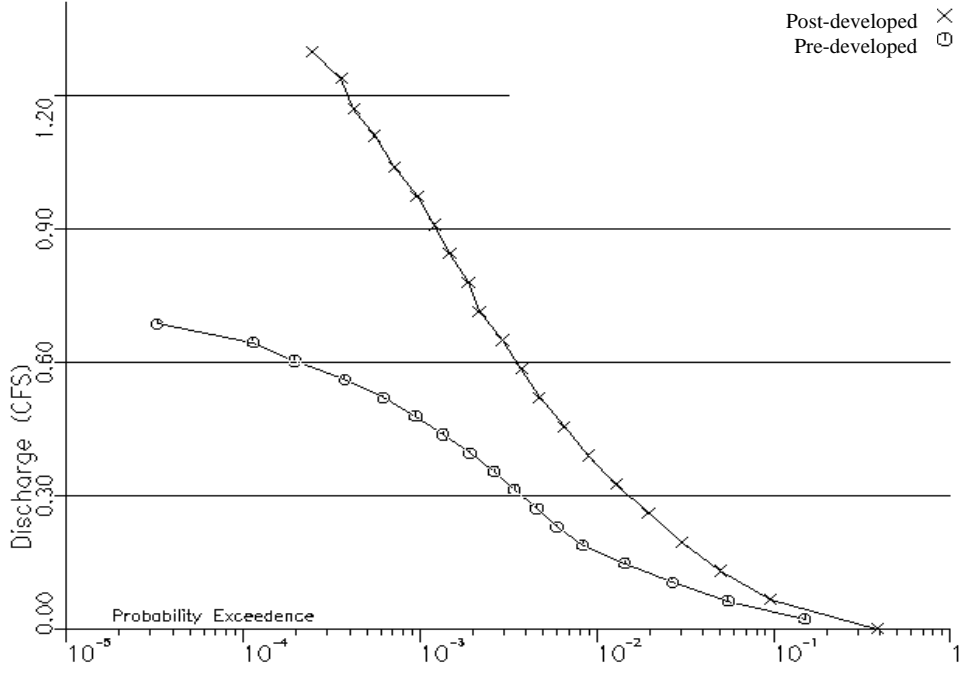
The Flood Problem Flow Control Standard matches predevelopment and post-development flow durations over the same range of predevelopment flows as the Flow Control Duration Standard and requires matching the 100-year post-development peak flow. This standard provides additional storage volume over the Flow Control Duration Standard facility, which substantially mitigates the impacts of increased volumes of surface runoff on downstream, volume-sensitive flooding problems.

The Peak Rate Flow Control Standard does not require flow duration analysis because it addresses peak flows only (the 2-year, 10-year, and 100-year peaks).

The Low Impact Development (LID) performance standard requires that stormwater discharges shall match (i.e., *not exceed*) developed discharge durations to pre-developed durations for the range of pre-developed discharge rates from 8% of the 2-year peak flow to 50% of the 2-year peak flow. No excursions above the pre-developed durations are allowed.

<sup>8</sup> Brief excursions may not result in more than 50% of the target duration curve being exceeded.

**FIGURE 3.2.2.B EXAMPLE FLOW DURATION ANALYSIS**



When evaluating impacts to closed depressions, ponding areas and wetlands, or when evaluating for tightlined system requirements in critical areas per Core Requirement #1, frequencies of water levels or determination of *average annual runoff volumes* must be determined through statistical analysis of time series data generated using a continuous runoff model.

#### ❑ ASSESSING WATER LEVEL STATISTICS

*Stage frequency analysis* consists of estimating and plotting recurrence estimates for water levels within a storage feature in the same manner as flow frequency analysis is conducted for discharges. Stage frequency analysis is required for assessing runoff impacts to offsite closed depressions and ponding areas as required under Core Requirements #2 and #3, and as discussed Section 3.3.6, “Point of Compliance Analysis,” or as required for analyses of wetland impacts pursuant to Core Requirement #9.

#### ❑ ASSESSING ANNUAL AVERAGE RUNOFF VOLUMES

To compute the *annual average runoff volume*, the volume of runoff (surface + interflow) of a time series must be computed using the approved model. The analysis is performed using the entire period of record. The total volume is divided by the number of full water years being analyzed to determine the annual average runoff volume.

### 3.2.3 THE APPROVED MODEL

The continuous hydrologic analysis tools prescribed in this manual are generically described as the “**approved model**”; a list of the approved models is found in Reference Section 6-D. At this writing, the approved continuous hydrologic models<sup>9</sup> include the **Western Washington Hydrologic Model (WWHM)** and **MGS Flood**, both of which are variants of the Hydrologic Simulation Program-FORTRAN (HSPF) model. HSPF is also an approved model, but is more complex than other approved models and is typically used for basin planning and master drainage plan analyses.

General instruction and guidance for use of the approved model is found in the user’s documentation for the model. Guidance specific to the City for the continuous runoff models approved for use with this manual is contained in Reference Section 6-D. A brief overview of HSPF follows below.

### 3.2.4 THE HSPF MODEL

HSPF is the parent model from which the other approved model methods are built. It is a very versatile continuous hydrologic/hydraulic model that allows for a complete range of hydrologic analysis. This model has been extensively used in King, Snohomish, and Thurston counties and found to be an accurate tool for representing hydrologic conditions in this area. The USGS has developed **regional parameters** to describe the common soil/cover combinations found in this area. In many cases, these regional parameters can be used to represent rainfall/runoff relationships in lieu of *site*-specific calibration parameters.

Unfortunately, the HSPF model is very difficult to use. Design engineers using HSPF should study this model in detail and obtain training before using it on a project. For these reasons, the HSPF model is recommended only for large and complex projects where the capabilities of the approved model are too limited.

The strengths of HSPF relative to the approved model are as follows:

1. HSPF can be calibrated to local conditions.
2. HSPF can model, link, and route many separate subbasins.
3. HSPF includes the groundwater component of streamflow.

---

<sup>9</sup> KCRTS is no longer maintained by King County and is not an approved model for use with the SWDM

4. HSPF can address groundwater connections and perform low-flow analysis.
5. HSPF can handle more complex hydrologic routing (e.g., evaporation, seasonal infiltration, etc.).

*The HSPF model is generally recommended for large sites where these additional features are required for comprehensive hydrologic and/or hydraulic analysis.*

Anyone planning a project that is large enough to require Large Project Drainage Review and submittal of a Master Drainage Plan (MDP) per Section 1.1.2.5 should meet with CED review staff regarding appropriate hydrologic analysis prior to initiating such analysis. If a project subject to Large Project Drainage Review drains to a wetland, a salmonid stream with low-flow sensitivities, or a **ground water protection area**, it is likely that the City will require a calibrated HSPF model. If such a project drains to erosion-sensitive streams or has features with complex hydraulics, the City may recommend or require an HSPF model using the USGS regional parameters. Smaller or less sensitive subbasins within a MDP area can be analyzed with the approved model.

**Additional data is required to develop an HSPF model.** At a minimum, development of an HSPF model requires collection of onsite rainfall data for a period from seven to twelve months. This data is used to determine which regional long-term rainfall record is most appropriate for modeling the *site* and for determining transposition factors for the long-term records. If calibration is required, the onsite rainfall data is used. Calibration also requires the installation of flow gages and the collection of flow data against which simulated flows can be compared. HSPF analysis is based on simulations with long-term rainfall records (greater than 30 years). Long-term precipitation records in HSPF format can be obtained from King County for the Sea-Tac rain gage and the Puget East 158-year simulated precipitation timeseries.

**Land surface representation** with HSPF follows the same procedures and classification as used with the approved model.

Conceptually, the outputs required from an HSPF analysis are consistent with those required from an approved model analysis, including frequency and durational analysis. Flow and/or water level frequencies shall be estimated using the full set of annual peaks from the long-term simulations using the *USGS Bulletin 17B* methods as well as the Gringorten or Cunane graphical methods. Durational analyses can be produced from the HSPF model and the results presented graphically. If a wetland is modeled, water level analyses may be required. Monthly, seasonal, and annual water balance and flow information, if appropriate, can be calculated with the HSPF model.

*(This page intentionally left blank.)*



## 3.3 HYDROLOGIC DESIGN PROCEDURES AND CONSIDERATIONS

This section presents the design procedures and considerations for sizing flow control facilities to meet the required hydrologic performance specified in Core Requirement #3, Section 1.2.3. It includes the following procedures and special considerations for proper hydrologic design:

- “General Hydrologic Design Process,” Section 3.3.1
- “Flow Control Design Using the Runoff Files Method,” Section 3.3.2
- “Conveyance System Design with the Runoff Files Method,” Section 3.3.2
- “Safety Factors in Hydrologic Design,” Section 3.3.4
- “Design Options for Addressing Downstream Drainage Problems,” Section 3.3.5
- “Point of Compliance Analysis,” Section 3.3.6
- “Onsite Closed Depressions and Ponding Areas,” Section 3.3.7.

### 3.3.1 GENERAL HYDROLOGIC DESIGN PROCESS

This section presents the general process involved in conducting a hydrologic analysis using the runoff computation and analysis tools described in Section 3.2 to design flow control facilities for a project. The process is described as follows:

1. Review the **core and special requirements** in Chapter 1 to determine all requirements that will apply to the proposed project.
  - a) Determine the applicable flow control standard (outflow performance criteria and land cover assumptions).
  - b) If downstream drainage problems are identified through offsite analysis per Core Requirement #2, determine if they will necessitate additional onsite flow control or other measures as described in Section 3.3.5.
2. Determine and demonstrate in the Technical Information Report (see Section 2.3) the **predeveloped conditions** per Core Requirement #3, Flow Control (see Section 1.2.3).
3. Identify and delineate the drainage basin for each **natural discharge location** from the **project site**.
  - a) Identify **existing drainage features** such as streams, conveyance systems, detention facilities, ponding areas, depressions, wetlands, etc.
  - b) Identify existing land uses.
  - c) Identify soil types using SCS soil survey or onsite evaluation.
  - d) Convert SCS soil types to soil classifications for the approved model.
4. Select and delineate **appropriate subbasins**, including subbasins tributary to major drainage features and important conveyance points, and subbasins for separate computation of onsite flows and offsite flows.
5. Determine **hydrologic parameters** for each subbasin under predeveloped conditions.
  - a) Categorize soil types and land cover.
  - b) Determine total impervious areas and effective impervious areas within each subbasin.
  - c) Determine areas for each soil/cover type in each subbasin.

6. Determine the **runoff time series** for predeveloped conditions at each *natural discharge location*.
  - a) Compute the predeveloped condition runoff time series for each subbasin using 15-minute time steps.
  - b) **For subbasins that drain to a drainage feature with significant detention storage** (e.g., existing detention facilities, ponding areas, closed depressions), route the runoff time series through the feature per the storage routing methods in the approved model. This will yield an attenuated flow series, which becomes the effective runoff time series for that subbasin.
  - c) Sum the appropriate subbasin runoff time series to obtain the total runoff time series for each *natural discharge location*.
  - d) Determine the 100-year peak flow for each *natural discharge location*.
7. Repeat Steps 4 through 6 for the proposed post-development condition.
8. Compare the **100-year peak flows** for the appropriate predeveloped and post-development conditions at each *natural discharge location*.
  - a) Check the “**Discharge Requirements**” criteria in Core Requirement #1 to determine the acceptable manner of discharge from the *project site* (using **existing conditions**).
  - b) Check the **flow control exemptions** in Core Requirement #3 to determine if a flow control facility is required (using *existing site* or *historical site conditions*, as specified in Core Requirement #3).
  - c) Check the requirement for **bypass of runoff from non-target surfaces** in Core Requirement #3 to determine if runoff from non-target surfaces must be conveyed around onsite flow control facilities (using **existing conditions**).
9. If flow control facilities are required, determine their location and make any necessary adjustments to the developed condition subbasins.
10. **Design and size each flow control facility** using the methods described in Section 3.2 and the Runoff Files Method design procedure in Section 3.3.2.
  - a) Analyze the appropriate predeveloped condition runoff time series to determine target release rates for the proposed facility. *Note: If the target release rates are zero, an infiltration facility will be required.*
  - b) Compute the post-development runoff time series for the proposed facility.
  - c) Use the post-development runoff time series and an iterative process to size the facility to meet the required level of performance set forth in Core Requirement #3. See the approved model user’s documentation for procedures in sizing flow control facilities using continuous flow time series.
11. **Design required onsite conveyance systems** using the appropriate runoff computation method (either the Rational method or the Runoff Files method with 15-minute time steps) as specified in Section 3.2.

### 3.3.2 FLOW CONTROL DESIGN USING THE RUNOFF FILES METHOD

Flow control facility design using the approved modeling software involves four basic steps:

1. Determining the statistical characteristics (peaks or durations) of predevelopment flows (using 15-minute time steps) which set the targets for the facility release rates,
2. Developing preliminary facility volume and orifice configuration,
3. Routing post-development flow time series through the preliminary facility to check performance, and
4. Iteratively revising the facility and checking performance until the target flow conditions are achieved.

Instead of using individual design rainfall events as in an event model, the design of the facility is based on simulation of the facility's performance using the full historical (over 50-years) time series record of simulated post-development flows, and also on comparison of the outflow record to characteristics of the predevelopment flow record. Final design is achieved when the outflow time series meets the target flow specifications.

Detention facility design with a continuous model is based on aggregate flow statistics, not upon individual storms. *When designing detention facilities with a continuous model, the return period of the peak flow leaving the facility for a particular event may not have the same return period as the peak flow entering the facility during the same event.* Unlike event models, continuous models have natural variability in the ratio of storm peak and volume. This lack of correspondence in the return periods of peak inflows and outflows in continuous models means that facility design using a continuous runoff model is more complicated than with an event method and in general has to be done on an iterative trial-and-error basis to obtain an optimal (i.e., least volume) design.

The effect of detention facilities in controlling peak flows is dependent on both the volume and peak of the inflowing hydrograph. *Generally, it is high volume storms rather than high intensity storms that cause detention facilities to fill and overtop.* The hydrographs produced by a continuous runoff model show considerable variability in the relationships between peak flows and storm volumes. For example, one event produced by high rainfall intensities in a relatively short duration storm may produce high peak flows with a relatively small hydrograph volume. By contrast, a second rainfall event may have relatively low intensities but long duration, producing a runoff hydrograph with large volumes and relatively small peak. Due to this natural variability, the peak annual outflows from a detention facility may not correspond in time to the annual peaks of the inflow record.

*Similarly, the predevelopment peak annual flows may not occur during the same storm as the peak annual flows for the post-development flow series.* This is because the types of storms that produce high flows from undeveloped land covers are different from those that produce high flows from impervious surfaces. Forests generate high streamflows in response to long-duration, high-volume rainfall events that soak the soil profile, whereas impervious surfaces produce the highest flow rates in response to high precipitation intensity. This is another reason why detention facility design with a continuous runoff model is based on aggregate flow statistics, not upon individual storm hydrographs.

The following is a typical procedure for hydrologic design of detention/infiltration facilities using a continuous runoff model. Specific guidance for conducting hydrologic analysis and design with the approved model is provided in the approved model user's documentation.

1. **Create time series of flows** from the predevelopment area using graphic elements that detail the predevelopment land cover, the post-development area tributary to the facility, any onsite post-development bypass area, and any offsite flow-through areas.
2. **Add any offsite flow-through time series** to the predevelopment flow time series using similar graphic elements to produce a time series of total predevelopment outflows from the *project site*. Similarly, add the same offsite flow-through time series to the time series of post-development flows tributary to the facility to produce a time series of total post-development inflows to the facility.
3. Generate **peak annual flow estimates, flow duration curves and flow frequency curves** for pre- and post-development time series.
4. Enter the **Facility** element for the scenario and specify initial facility specifications for the type of facility proposed. Use of two orifices is usually sufficient for most designs. If designing an infiltration facility, the bottom orifice may be elevated or zero orifices may be specified.
5. **Route** the complete facility inflow time series through the facility. The outflow time series is automatically saved. Use the analysis tools to evaluate facility performance. **When sizing the facility to account for credits from on-site BMPs per Core Requirement #9 and Appendix C, note that it is necessary to turn infiltration off for on-line on-site BMPs draining to the facility, to avoid**

**counting the flow reduction effect twice.** For facilities designed using this manual, explicit modeling of infiltrative BMPs for downstream flow control facility sizing is not allowed.

6. **Adjust orifice configuration and facility size, iterate until desired performance is achieved.** Use of the automatic facility sizing routine in the approved model is helpful.
7. **Verify the facility performance** by routing the complete time series of inflows and checking the post-development peak flows and/or durations at the *project site* boundary against the target flows and/or durations (see the criteria for “Evaluating Flow Control Performance” provided below). When explicitly modeling BMPs for compliance with the LID Performance standard, **two separate routings are necessary** to evaluate the *flow control credit based facility performance* and the *explicitly modeled BMPs for the LID Performance standard*.

### Evaluating Flow Control Performance

Evaluating the performance of facility designs intended to provide **flow frequency control** is comparatively straightforward: the post-development facility annual peak flows should be strictly less than or equal to predevelopment annual peak flows at each of the specified return periods.

*Note: Peak flow matching is required per Core Requirement #3. The automatic sizing routines in the approved continuous runoff models are based on duration matching and **do not evaluate for peak flow compliance**. The user must complete this evaluation as an additional step to verify compliance.*

Evaluating the design performance of detention facilities providing **flow duration control**, however, generally requires several iterations. In fact, considerable time could be spent attempting to match predevelopment and post-development duration curves. Some flexibility in assessing the adequacy of fit is clearly needed to expedite both design and review. Therefore, flow duration designs will be accepted as meeting performance standards when the following conditions are met:

1. The post-development **flow duration curve** lies strictly on or below the predevelopment curve at the **lower limit of the range of flow control** (between 50% of the 2-year and the 2-year).<sup>10</sup>
2. **At any flow value within the upper range of flow control** (from the 2-year to the 50-year), the post-development duration of the flow is no more than 1.1 times the predevelopment flow duration.
3. The **target duration curve** may not be exceeded along more than 50% of the range of control.
4. Where a facility or BMP is used to meet the LID Performance Standard, the post-development **flow duration curve** lies strictly on or below the predevelopment curve for the **range of pre-developed discharge rates for the LID Performance standard** (from 8% of the 2-year peak flow to 50% of the 2-year peak flow).<sup>11</sup>

<sup>10</sup> For small projects, the lower limit of the range of control for flow control duration standard matching existing site conditions is considered met with a minimum diameter (0.25 inches) lower orifice in a low head facility (maximum effective storage depth of 3 feet) where full duration control cannot be achieved at the lower limit. Predeveloped flow durations, within allowed tolerances, must be met for all flows above the best achievable lower limit. The LID Performance standard must also be met; performance results could be influenced by the minimum diameter.

<sup>11</sup> See Core Requirement #9 and Appendix C for application of pre-sized on-site BMPs for mitigating the LID Performance standard in lieu of explicit modeling

### 3.3.3 CONVEYANCE SYSTEM DESIGN WITH THE RUNOFF FILES METHOD

This section provides guidance for use of the Runoff Files method in determining peak flows for the design and analysis of conveyance elements, overflow structures, and other peak flow sensitive drainage features.

Rainfall events that create the highest rates of runoff from developed areas are typically shorter in duration and are characterized by brief periods of high intensity rainfall. To simulate the runoff from higher intensity, shorter duration rainfall events, a **15-minute time series is used**.

The following is the typical procedure for hydrologic design and analysis of conveyance facilities using the Runoff Files method:

1. Select and delineate **appropriate subbasins**.
  - a) Select separate subbasins for major drainage features and important conveyance points.
  - b) Identify existing land covers offsite and post-development land covers onsite.
  - c) Identify soil types by using the SCS soil survey or by directly evaluating the *site*.
  - d) Convert SCS soil types to the approved model soil classifications.
2. Determine **hydrologic parameters** for each subbasin.
  - a) Within the approved model, locate the project to determine appropriate rainfall region and/or regional scale factor.
  - b) Categorize soil types and land cover per Table 3.2.2.A and Table 3.2.2.B.
  - c) Determine total impervious areas and effective impervious areas within each subbasin.
  - d) Determine areas for each soil/cover type in each subbasin.
3. Determine **peak flows** for the conveyance element being analyzed.
  - a) Following the approved model guidance, assemble the post-development scenario including an element for each subbasin and using 15-minute time steps.
  - b) Set the point of compliance at the confluence of the post-developed subbasins being routed to the conveyance element. Run the scenario for the developed subbasins and conduct a **flow frequency analysis** on the results of the scenario run. From this analysis the 10-year, 25-year, and 100-year peak flows can be determined. These design flows can then be used to size or assess the capacity of pipe systems, culverts, channels, spillways, and overflow structures.

### 3.3.4 SAFETY FACTORS IN HYDROLOGIC DESIGN

It is often appropriate to apply safety factors to detention volumes or conveyance design flows. This manual does not require safety factors for detention or conveyance design, but it does recommend the use of safety factors when the designer believes the results of the approved model are not sufficiently conservative given local conditions. *The approved model methodology does not include inherent safety factors as it is meant to account for “average” conditions. On a particular site, the approved model may overestimate or underestimate flow rates and detention volumes.*

Within any soil/cover group, there is a range of hydrologic response dependent on local soil and geologic conditions for which the approved model methodology does not account. The USGS regional parameters for HSPF that were used to create the runoff files produce “average” runoff time series that overestimate peak flows in some basins and underestimate them in others. Similarly, the detention volumes designed with the approved model for a given conversion type are in the middle of the range of volumes that would be created if exact local hydrologic conditions were known for every project of that type. Therefore, some of the detention facilities designed with the approved model are oversized and some are undersized, depending on variable *site* conditions.

*Because of the uncertainty in local hydrologic response, the City recommends, but does not require, that a volume safety factor of 10% be applied to all detention facilities.* If downstream resources are especially sensitive, or if the designer believes that the approved model significantly overestimates predevelopment flows or underestimates post-development flows, a volume safety factor of up to 20% may be appropriate. If a volume safety factor is applied to a detention facility, the volume should be increased by the given percentage at each one-foot stage increment. Safety factors for conveyance systems should be evaluated with respect to the potential damages and costs of failures due to backwatering, overtopping, etc. Applications of safety factors fall strictly within a professional engineer’s judgment and accountability for design. Section 4 of the Technical Information Report should state what safety factor was applied to the design of the flow control facility.

### 3.3.5 DESIGN OPTIONS FOR ADDRESSING DOWNSTREAM DRAINAGE PROBLEMS

See Chapter 1, Table 1.2.3.A for options for addressing downstream drainage problems.

### 3.3.6 POINT OF COMPLIANCE ANALYSIS

The *point of compliance* is the location where flow control performance standards are evaluated. In most cases, the point of compliance is the outlet of a proposed detention facility where, for example, 2- and 10-year discharges must match predevelopment 2- and 10-year peak flow rates.

The point of compliance for hydrologic control moves downstream of the detention facility outlet or the property boundary under the following circumstances:

1. The proposed project discharges to an **offsite closed depression with a severe flooding problem** per Section 1.2.2, and the project adds impervious surface greater than or equal to 10% of the 100-year water surface area of the closed depression (see Table 1.2.3.A). In these cases, the closed depression becomes the point of compliance, and the engineer must ensure that *project site* runoff does not aggravate the flooding problem (or create a new flooding problem).
2. The proposed project includes an **onsite runoff bypass**, a small developed area that bypasses the flow control facility (see Section 1.2.3.2). In such cases, runoff from the remainder of the *project site* is overdetained so that the sum of the detained and undetained flows meets the required flow control performance standard. The point of compliance for such projects is where the onsite bypass flows join the detained flows.

3. The proposed project **bypasses offsite flows** around an onsite closed depression, ponding area, or wetland (see Section 3.3.7). As with onsite bypasses, the point of compliance in this case is where detained flows converge with the bypassed flows.

The approved model allows multiple points of compliance for evaluating runoff performance within a scenario. The automatic facility sizing routine in the approved model requires a point of compliance to size an individual facility; a separate point of compliance is required for downstream evaluation. See the approved model user's documentation for modeling application of points of compliance to meet the requirements of this manual.

*Note: When controlling flow durations at a downstream point of compliance to demonstrate no adverse impact, the 10% tolerance specified for Level 2 performance may **not** be used. Predevelopment condition flow durations should be matched to the extent feasible for all flows above the level of concern. The resultant facility should also be checked to verify that the minimum onsite performance standard (e.g., Level 1, Level 2, or Level 3 per Section 1.2.3.1) has also been met.*

## ❑ OFFSITE CLOSED DEPRESSIONS

If a project drains to an offsite closed depression with existing or potential flooding problems, then the water surface levels of the closed depression must not be allowed to increase for return frequencies at which flooding occurs, up to and including the 100-year frequency. This section describes the point of compliance analysis necessary to size detention facilities discharging to such a closed depression. *If the closed depression is classified as a wetland, other requirements apply per Section 1.2.2, Core Requirement #2.*

The closed depression is first modeled (using the *site's* predevelopment condition) to determine the return frequency at which flooding currently occurs and the water levels associated with return frequencies in excess of this frequency. These flooding levels and their probabilities dictate the detention performance for the proposed development. The proposed detention facility is then iteratively sized such that discharge from the *site's* post-development condition does not increase water surface levels for the frequencies at which flooding occurs—that is, after development, water level frequency curves must match for all frequencies equal to or greater than the frequency at which flooding occurs (up to the 100-year water level).

The infiltration rate must be determined in order to accurately model the closed depression. *In the case of a closed depression with an existing flooding problem, the infiltration rate is most realistically depicted by calibrating the model to known flooding events.* This should be done using the full historical runoff files and setting the closed depression outflow (infiltration) such that recorded or anecdotal levels of flooding occur during the same storm events in the historical record.

Where a flooding problem might be created by discharge of post-development flows to a closed depression, and in the absence of information on dates and water surface levels in the closed depression during past runoff events, infiltration rates must be determined through testing as follows:

- For a closed depression without standing water, two or more **test pits** should be dug in the bottom of the closed depression to a depth of 10 feet or to the water table, whichever is reached first. The test pits shall be dug under the supervision of a geotechnical engineer, and a test pit log shall be kept. Evidence of high water table shall be noted.
- If the test pit reveals deep homogeneous permeable material with no evidence of a high water table, then infiltration tests shall be performed in the bottom of the closed depression at locations of similar elevation and on opposite sides of the bottom area (as feasible). **Surface infiltration rates** shall be determined using the methods for assessing measured infiltration rates included in Section 5.2. The measured rates should be used directly, without applying correction factors.
- If the closed depression has standing water or is a defined as a wetland according to RMC 4-3-050, or if test pits show evidence of a high water table or underlying impermeable material, then procedures for determining infiltration rates will be established on a case-by-case basis in coordination with CED.

- In the event that a closed depression with a documented *severe flooding problem* is located on private property and all reasonable attempts to gain **access to the closed depression** have been **denied**, the Flood Problem Flow Control Standard shall be applied with a 20% factor of safety on the storage volume.

## □ ONSITE RUNOFF BYPASS

It is sometimes impractical to collect and detain runoff from an entire project area, so provisions are made to allow undetained discharge from onsite bypass areas (see Section 1.2.3.2) while overdetecting the remainder of the runoff to compensate for unmitigated flows. A schematic of an onsite runoff bypass is shown in Figure 3.3.6.A.

For projects employing onsite runoff bypass, flow control performance standards are evaluated at the point of compliance, the point where detained and undetained flows from the *project site* are combined.

### Point of Compliance Analysis for Onsite Bypass Areas

1. In the approved model, create a **predeveloped condition** element for the entire project area including the predevelopment detained area and the predevelopment bypass area. Route the scenario and apply the analysis tools to determine **flow targets** (either flow frequencies or durations, depending on the applicable design standard) from the predeveloped condition runoff time series.
2. Create and route separate **developed condition elements** for the detained area and the bypass area, producing a separate time series for each area.
3. Ensure that the flow characteristics of the developed runoff element for the bypass area do not exceed the targets determined in Step 1 or the 0.4 cfs threshold in Core Requirement #3. If the bypass area flows exceed the targets or threshold, then the bypass is not feasible.
4. Estimate **allowable release rates** from the detention facility for each return period of interest with the following equation:

$$\text{Allowable release} = (\text{Total Project Area Flow})_{\text{predeveloped cond.}} - (\text{Bypass Area Flow})_{\text{developed cond.}}$$

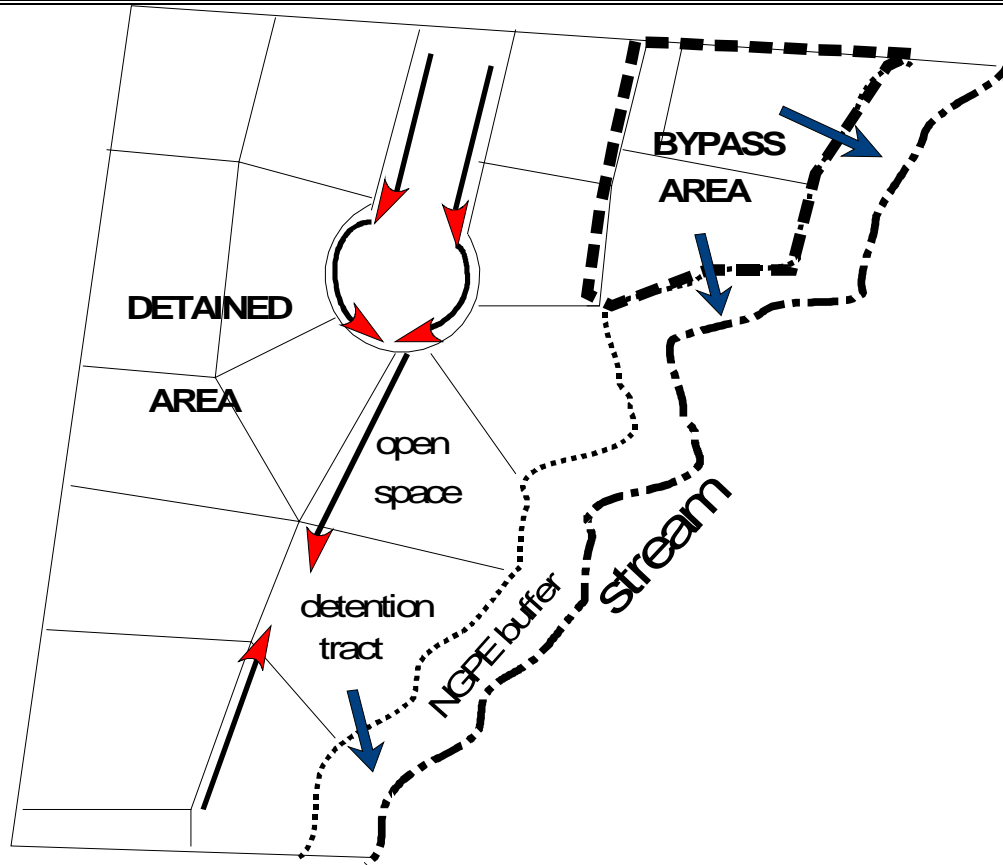
*Note: WWHM 2012 and later supports the direct sizing of onsite detention facilities based on the results at a downstream point-of-compliance. See the WWHM user's documentation for further details.*

1. Develop a **preliminary design of the flow control facility** based on the estimated release rate(s).
2. **Route** post-development flows from the detained area through the detention facility to create a detention facility outflow time series. Provide a downstream point of compliance and route the bypass area and the facility outflow to the downstream POC.
3. The approved model determines the **total project post-development outflow** by adding the detention facility outflow runoff time series to the post-development runoff time series from the bypass area at the downstream point of compliance. Check characteristics of the total project post-development outflow against the targets determined in Step 1.
4. If compliance is not achieved (e.g., 2- and 10-year post-development flows exceed 2- and 10-year predevelopment flows), revise the facility design (or revise the project design to reduce the bypass area) and repeat Steps 6 through 8.

*For WWHM 2012 and later, Steps 6 through 8 have been automated for facility sizing by using the point of compliance option in the facility element of the model. See the WWHM user's documentation for guidance.*



FIGURE 3.3.6.A SCHEMATIC OF AN ONSITE RUNOFF BYPASS



### 3.3.7 ONSITE CLOSED DEPRESSIONS AND PONDING AREAS

Onsite closed depressions, ponding areas, and wetlands require special consideration when determining detention performance targets; if altered, they can shift the point of compliance downstream. However, the critical areas code (RMC 4-3-050) regulates wetlands (*note that most closed depressions and ponding areas are wetlands by definition*) and generally does not permit alteration through either filling or gross hydrologic changes such as bypassing offsite flows. *Note: Post-development discharges to offsite closed depressions, ponding areas, or wetlands (with the exception of those in Flood Problem Flow Control Areas per the Flow Control Applications Map or those discussed in Section 3.3.6) are normally not required to meet special performance standards unless there is a **severe flooding problem** as defined in Section 1.2.2.*

#### □ GENERAL REQUIREMENTS

The following general requirements apply to **onsite closed depressions, ponding areas, and wetlands** (referred to below as “features”):

1. **Flow attenuation** provided by onsite wetlands and ponding areas, and storage provided by onsite closed depressions must be accounted for when computing both existing onsite and offsite flows.
  - **Existing onsite flows** must be routed through onsite wetlands and ponding areas to provide accurate target release rates for the developed *site*. *Note: Closed depressions will have no outflow for some portions of the site for some events, although overflow may occur during extreme events.*
  - **Existing offsite flows** will increase at the project boundary if the feature is filled or if the offsite flows are bypassed around the feature. To compensate, post-development onsite flows must be

overdetained, and the point of compliance will shift downstream to where the detained flows converge with the bypassed offsite flows.

2. **If the onsite feature is used for detention**, the 100-year floodplain must be delineated considering developed onsite and existing offsite flows to the feature. *Note: Additional storage volume may be necessary within the feature, and the point of compliance is the discharge point from the feature.*
3. **If the detention facility for the proposed project discharges to an onsite wetland, ponding area, or closed depression that is not altered<sup>12</sup> by the proposed project, AND Flow Control Duration or Flood Problem Flow Control is provided**, the point of compliance is the discharge point of the detention facility, not the outlet of the onsite feature. If **Peak Rate Flow Control** is being provided, the point of compliance is the outlet of the onsite feature.

#### □ FLOODPLAIN DELINEATION FOR LAKES, WETLANDS, CLOSED DEPRESSIONS, AND PONDING AREAS

A minor floodplain analysis is required for onsite or adjacent lakes, wetlands, and closed depressions that do not have an approved floodplain or flood hazard study (see Section 4.4.2; note the exceptions). Minor floodplain studies establish an assumed base flood elevation below which development is not allowed.

The following are guidelines for minor floodplain analysis of volume sensitive water bodies:

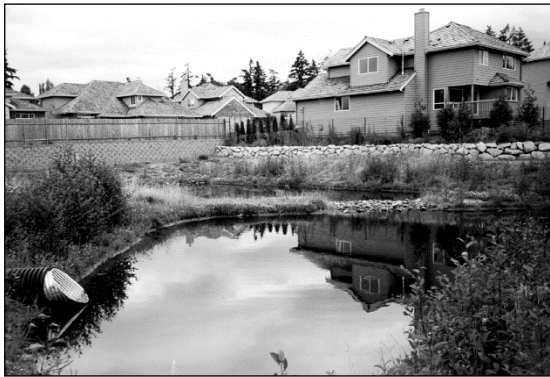
1. **Create time series** representing tributary flows to the feature from the entire tributary area. Where the feature is contained entirely onsite and where no offsite flows exist, use the tributary area for the proposed developed condition.
2. Where the feature is only partially onsite, or where there are offsite flows to the feature, **assume the entire tributary area is fully built out under current zoning**, accounting for required open space and protected critical areas in the basin as well as impervious surfaces and grass.
3. **For potential future development, assume detention standards per Section 1.2.3.1. For simplicity the proposed detention may be simulated with a single assumed detention pond just upstream of the feature.** This pond should be sized to the appropriate detention standard and predevelopment condition assumption as noted in Section 1.2.3.1 and will require generating a predevelopment time series for the basin. Large water bodies may provide significant floodwater storage and may also be included in the analysis. Most existing detention in the basin, with exception of that providing duration control, will have little effect on the analysis and should be discounted.
4. Sum all subbasin time series to create a **single composite time series** for the drainage feature.
5. Develop **routing curves** for the feature. As appropriate, consider infiltration as an outflow for closed depressions.
6. **Route the time series** through the storage feature, generate water surface frequency curves, and note the 100-year water surface elevation.

<sup>12</sup> *Not altered* means existing on- and offsite flows to the feature will remain unchanged and the feature will not be excavated or filled.

---

# CHAPTER 4

## CONVEYANCE SYSTEM ANALYSIS & DESIGN



### CITY OF RENTON

# SURFACE WATER DESIGN MANUAL

Section	Page
<b>4.1 Route Design and Easement Requirements</b>	<b>4-3</b>
4.1.1 Route Design	4-3
4.1.2 Easement and Setback Requirements	4-3
<b>4.2 Pipes, Outfalls, and Pumps</b>	<b>4-7</b>
4.2.1 Pipe Systems	4-7
4.2.2 Outfall Systems	4-30
4.2.3 Pump Systems	4-36
<b>4.3 Culverts and Bridges</b>	<b>4-37</b>
4.3.1 Culverts	4-37
4.3.2 Culverts Providing for Fish Passage/Migration	4-50
4.3.3 Bridges	4-52
<b>4.4 Open Channels, Floodplains, and Floodways</b>	<b>4-55</b>
4.4.1 Open Channels	4-55
4.4.2 Floodplain/Floodway Analysis	4-71

*(This page intentionally left blank.)*

# CHAPTER 4

## CONVEYANCE SYSTEM ANALYSIS & DESIGN

This chapter presents the City of Renton’s approved methods for the hydraulic analysis and design of conveyance systems. A *conveyance system* includes all portions of the surface water system, either natural or man-made, that transports surface and storm water runoff.

This chapter contains the detailed design criteria, methods of analysis, and schematic representations for all components of the conveyance system. In some cases, reference is made to other adopted or accepted design standards and criteria such as the *City of Renton Standard Details* and the requirements of the City of Renton Transportation department and Surface Water Utility as applicable.

The figures included in this chapter are provided as schematic representations and should not be used for design. Refer to the *City of Renton Standard Details* for specific design information. The figures provided in this chapter illustrate **one example** of how the conveyance system design criteria may be applied. Although the figures are meant to illustrate many of the most important design criteria, they may not show **all** criteria that apply. In general, the figures are not used to specify requirements unless they are indicated elsewhere in this manual. If this manual refers to a standard detail not included in the *City of Renton Standard Details*, the applicant shall use the figure provided in this manual.

### Chapter Organization

The information presented in this chapter is organized into four main sections:

- Section 4.1, “Route Design and Easement Requirements”
- Section 4.2, “Pipes, Outfalls, and Pumps”
- Section 4.3, “Culverts and Bridges”
- Section 4.4, “Open Channels, Floodplains, and Floodways”

These sections begin on odd pages so the user can insert tabs if desired for quicker reference.

### Required vs. Recommended Design Criteria

Both required and recommended design criteria are presented in this chapter. Criteria stated using “shall” or “must” are mandatory, to be followed unless there is a good reason to deviate as allowed by the adjustment process (see Section 1.4). These criteria are **required design criteria** and generally affect facility performance or critical maintenance factors.

Sometimes options are stated as part of the required design criteria using the language “should” or “may.” These criteria are **recommended design criteria**, but are closely related to the required criteria, so they are placed in the same section.

*(This page intentionally left blank)*

## 4.1 ROUTE DESIGN AND EASEMENT REQUIREMENTS

This section presents the general requirements for aligning conveyance systems and providing easements and setbacks to allow for proper maintenance and inspection of all conveyance system elements.

### 4.1.1 ROUTE DESIGN

The most efficient route selected for new conveyance systems will result from careful consideration of the topography of the area to be traversed, the legal property boundaries, and access for inspection and maintenance. Additionally, topography and native soil characteristics beneficial to Low Impact Development (LID) applications may influence the route. The general requirements for route design are as follows:

1. Proposed new conveyance systems should be aligned to **emulate the natural conveyance system** to the extent feasible. Inflow to the system and discharge from the system should occur at the natural drainage points as determined by topography and existing drainage patterns.
2. New conveyance system alignments in **residential subdivisions** should be located **adjacent and parallel to property lines** so that required drainage easements can be situated along property lines. Drainage easements should be located entirely on one property and not split between adjacent properties.
3. **Exception:** Streams and natural drainage channels shall not be relocated to meet this requirement.
4. Aesthetic considerations, traffic routes and on-site BMP strategies may dictate the placement and **alignment of open channels**. Appropriate vehicular and pedestrian traffic crossings must be provided in the design.
5. For any reach or partial reach of new conveyance (ditch, channel or closed pipe system) proposed by a project, a geotechnical analysis and report is required if the conveyance is located within 200 feet of a steep slope hazard area or landslide hazard area, OR if the conveyance is located within a setback distance from top of slope equal to the total vertical height of the slope area that is steeper than 15%. The geotechnical analysis must consider cumulative impacts from the project and surrounding areas under full built-out conditions. A low-permeability liner per Section 6.2.4 for the trench or channel may be required if warranted by soil stability conditions.

### 4.1.2 EASEMENT AND SETBACK REQUIREMENTS

Proposed projects must comply with the following easement and setback requirements unless otherwise approved by the City:

1. Any **onsite** conveyance system element (including on-site BMPs used as conveyance) constructed as part of a **subdivision project** shall be located in a dedicated drainage easement, tract, or right-of-way that preserves the system's route and conveyance capacity as follows:
  - Onsite conveyance systems within the right-of-way will be inspected and maintained by the City.
  - Onsite conveyance systems within the drainage easements or tracts will be maintained by the property owners through the Homeowners Association created by the subdivision (with each property owner having equal responsibility for maintenance). These conveyance elements include those entering and exiting the tract from/to the public right-of-way. For conveyance pipes entering the tract from right-of-way, responsibility begins at the last structure prior to entering the tract. For conveyance pipes exiting the tract to right-of-way, responsibility ends at the next downstream structure. The easement shall grant the City rights for inspection.

**Exception:** Roof downspout, minor yard, and footing drains do not require easements, tracts, or right-of-way. If easements are provided for these minor drains (or for other utilities such as power, gas or telephone), they need not comply with the requirements of this section.

*Note: except for those facilities that have been formally accepted for maintenance by the City, maintenance and repair of drainage facilities and BMPs on private property is the responsibility of the property owner. Except for the inflow pipe and discharge pipe of a City-accepted flow control or water quality facility, the City does not normally accept maintenance of conveyance systems constructed through private property.*

2. Any **onsite** conveyance system element (including on-site BMPs used as conveyance) constructed under a **commercial building or commercial development permit** shall be covered by the drainage facility declaration of covenant and grant of easement in Reference Section 8-J (or equivalent) that provides the City right of access for inspection, maintenance, and repair.

*Note: except for those facilities that have been formally accepted for maintenance by the City, maintenance and repair of drainage facilities on private property is the responsibility of the property owner.*

3. Any **offsite** conveyance system element (including on-site BMPs used as conveyance) constructed through private property as part of a proposed project that conveys runoff from public roads within the project **site** shall be located in a drainage easement dedicated to the City. If an offsite conveyance system through private property is proposed by a project to convey runoff diverted from the **natural discharge location**, the City may require a drainage release covenant per Reference Section 8-K as a condition of approval of the adjustment required in Section 1.2.1.
4. A **river protection easement** per Reference Section 8-P (or equivalent) shall be required for all properties adjoining or including *major rivers*<sup>1</sup> that may be dedicated to the City or County as applicable. The County shall review and approve river protection easements dedicated to the County.
5. Table 4.1 lists the required **widths and building setback lines for drainage easements**. For all pipes or any channels or constructed swales greater than 30 feet wide, facilities must be placed in the center of the easement. For channels or constructed swales less than or equal to 30 feet wide, the easement extends to only one side of the facility.
6. Any portion of a conveyance system drainage easement (shown in Table 4.1) shall not be located within an **adjacent property or right-of-way**. Building setback lines may cross into adjacent property.
7. The distance between the easement line and building or other structure footings shall be no less than the **building setback line (BSBL) distance** shown in Table 4.1.

**Exception:** The BSBL distance indicated in Table 4.1 may be measured from the edge of a pipe in the easement plus 2 feet if all of the following conditions are met:

- a) As-builts showing the location of the pipe are submitted
- b) A geotechnical/structure analysis demonstrates stability of the proposed structure
- c) Access for maintenance/replacement remains unobstructed.

---

<sup>1</sup> *Major rivers* are defined in the King County Flood Hazard Management Plan.



<b>TABLE 4.1 EASEMENT WIDTHS AND BUILDING SETBACK LINES</b>		
<b>For Pipes:<sup>(1)</sup> Inside Diameter (ID)</b>	<b>Easement Width</b>	<b>BSBL (From Easement)</b>
ID ≤ 36"	depth to invert < 8': 10 feet <sup>(2)</sup> depth to invert > 8': 15 feet	5 feet
36" < ID ≤ 60"	depth to invert < 8': 10 feet <sup>(2)</sup> depth to invert > 8': 15 feet	7.5 feet
ID > 60"	ID plus 10 feet	10 feet
<b>For Channels and Swales: Top Width of Channel (W)</b>	<b>Easement Width</b>	<b>BSBL (From Easement)</b>
W ≤ 10 feet	W plus 10 feet on one side W if no access required <sup>(3)</sup>	5 feet
10 feet < W ≤ 30 feet	W plus 15 feet on one side	5 feet
W > 30 feet	W plus 15 feet on both sides	5 feet
<b>For Major Rivers</b>	<b>Easement Width</b>	<b>BSBL (From Easement)</b>
See the <i>King County Flood Hazard Management Plan</i> for a list of the major rivers	Varies per <i>site</i> conditions Minimum 30 feet from stable top of bank <sup>(4)</sup>	5 feet
<p>Notes:</p> <p>(1) Pipes installed deeper than 10 feet require one of the following actions:</p> <ul style="list-style-type: none"> <li>• Increase the BSBL such that the distance from the BSBL to the centerline of the pipe is at least 1.5 times the depth to pipe invert, or</li> <li>• Place a restriction on adjacent lots that the footings be placed at a specific elevation, deep enough that the closest horizontal distance from the footing to the pipe centerline is 1.5 times the difference in elevation of the footing and pipe invert, or</li> <li>• Place a restriction on adjacent lots that the footings be designed by a geotechnical engineer or licensed engineering geologist, such that excavation of the pipe may be performed without necessitating shoring of adjacent structures.</li> </ul> <p>(2) Fifteen-foot easement width is required for maintenance access to all manholes, inlets, and culverts.</p> <p>(3) Access is not required for small channels if the channel gradient is greater than 5% (assumes steep channels will be self-cleaning).</p> <p>(4) Stable top of bank shall be as determined by King County.</p>		

*(This page intentionally left blank.)*

## 4.2 PIPES, OUTFALLS, AND PUMPS

This section presents the methods, criteria, and schematic representations for analysis and design of pipe systems, outfalls, and pump-dependent conveyance systems. The information presented is organized as follows:

- Section 4.2.1, “Pipe Systems”
  - “Design Criteria,” Section 4.2.1.1
  - “Methods of Analysis,” Section 4.2.1.2
- Section 4.2.2, “Outfall Systems”
  - “Design Criteria,” Section 4.2.2.1
- Section 4.2.3, “Pump Systems”
  - “Design Criteria,” Section 4.2.3.1
  - “Methods of Analysis,” Section 4.2.3.2

### 4.2.1 PIPE SYSTEMS

*Pipe systems* are networks of storm drain pipes, catch basins, manholes, inlets, and outfalls designed and constructed to convey surface water. The hydraulic analysis of flow in storm drain pipes typically is limited to gravity flow; however, in analyzing existing systems it may be necessary to address pressurized conditions. A properly designed pipe system will maximize hydraulic efficiency by utilizing proper material, slope, and pipe size.

#### 4.2.1.1 DESIGN CRITERIA

##### General

In addition to the design criteria described below, pipe systems shall be design to meet the hydraulic criteria as described in Section 1.2.4.1. These criteria supersede the methodology descriptions contained in Chapter 4.

All pipe material, joints, protective treatment, construction workmanship, and inspection requirements shall be in accordance with the *City of Renton Standard Details* and the requirements of the City of Renton Transportation Department of Surface Water Utility as applicable.

*Note: The pipe materials and specifications included in this section are for conveyance systems installed according to engineering plans required for City permits/approvals. Other pipe materials and specifications may be used by private property owners for drainage systems they construct and maintain when such systems are not required by or granted to City.*

##### Acceptable Pipe Sizes and Length Between Structures

Acceptable pipe sizes shall be per Table 4.2.1.A1.

**TABLE 4.2.1.A1 PIPE SIZES AND LENGTHS BETWEEN STRUCTURES**

<b>PIPE SIZES AND LENGTHS BETWEEN STRUCTURES</b>				
<b>UPSTREAM STRUCTURE TO DOWNSTREAM STRUCTURE</b>	<b>PIPE DIAMETER (IN)</b>	<b>MINIMUM SLOPE (%) AND MIN. FULL FLOW VELOCITY (FPS) AT DESIGN FLOW</b>	<b>MAXIMUM LENGTH (FT)</b>	<b>WHERE ALLOWED</b>
Inlet to CB/MH	12	0.5%, 3.0 fps	60	Public, See Note 1
Inlet to CB/MH	8	0.5%, 3.0 fps	40	Private
CB to CB	8	0.5%, 3.0 fps	100	Private
CB/MH to CB/MH	12 or greater	0.5%, 3.0 fps	300	Public

Note 1. Minimum pipe size shall be 12-inch diameter. 8-inch diameter may be permitted on cross street laterals less than 66 feet to avoid utility conflicts or to meet shallow grade.

Note 2. Maximum spacing on surface drainage course between inlets and catch basins shall be 150 on grades less than 1% and 200 feet on grades from 1% to 3%. Otherwise, maximum spacing shall be 300 feet on grades over 3%, or as required by grate flow capacities. Maximum CB to inlet spacing may need to be reduced depending on street width and inlet capacity analysis in Section 4.2.1.2.

Note 3. Minimum slope and full flow velocity is desirable unless it cannot be achieved due to outlet control, site topography, burial depth or other situations or conditions.

### Allowable Pipe Materials and Minimum Cover Requirements

- The designer shall have the option of constructing storm sewers, drains and culverts of the pipe types listed below within the cover limits specified. In addition, concrete pipe shall be rubber gasketed and metal pipe shall be gasketed and securely banded. Leak testing shall be conducted if required by the City Engineer.
- The pipe materials included in Table 4.2.1.A2 are allowed for use in meeting the requirements of this manual. Refer to the current edition of *WSDOT/APWA Standard Specifications 7-02, 7-03 and 7-04* for detailed specifications for acceptable pipe materials. Refer to the *City of Renton Standard Details* for pipe materials allowed in the City road right-of-way.<sup>2, 3, 4, 5</sup>

**TABLE 4.2.1.A2 ALLOWABLE PIPE MATERIALS AND MINIMUM COVER**

<b>Pipe Type</b>	<b>Minimum Cover (ft)</b>	<b>Public</b>	<b>Private</b>	<b>Allowed in Zone 1 of the APA</b>
Corrugated Steel Pipe	2.0	Yes	Yes	Yes
Spiral Rib Steel Pipe	2.0	Yes	Yes	Yes
Plain Concrete Pipe (PCP)	2.0	No	Yes	No
Reinforced Concrete Pipe (RCP)	1.0	Yes	Yes	No
Corrugated or Spiral Rib Aluminum Pipe	2.0	Yes	Yes	No
Ductile Iron	1.0	Yes	Yes	Yes
Line Corrugated Polyethylene Pipe (LCPE)	2.0	Yes	Yes	Yes
Corrugated Polyethylene Pipe (CPE) – Triple Wall	2.0	Yes	Yes	Yes
Polyvinyl Chloride Pipe (PVC)	3.0	Yes	Yes	Yes
Solid Wall High Density Polyethylene Pipe (HDPE)	2.0	Yes	Yes	Yes

For pipe specifications including acceptable pipe joints see RMC 4-3-050S.

<sup>2</sup> Footnote 2 is not used.

<sup>3</sup> Footnote 3 is not used.

<sup>4</sup> Footnote 4 is not used.

<sup>5</sup> Footnote 5 is not used.

### Allowable Pipe Joints

1. Concrete pipe shall be rubber gasketed.
2. CMP shall be rubber gasketed and securely banded.
3. Spiral rib pipe shall be “hat-banded” with neoprene gaskets.
4. Ductile pipe joints shall be flanged, bell and spigot, or restrained mechanical joints.
5. PP and CPE pipe joints (lined and single wall, fully corrugated) shall conform to the current *WSDOT/APWA Standard Specifications*.
6. PVC pipe, CPE pipe and PP pipe shall be installed following procedures outlined in ASTM D2321. Solid wall HDPE pipe shall be jointed by butt fusion methods or flanged according to the *City of Renton Standard Details*.

### Pipe Alignment

1. Pipes must be laid true to line and grade with no curves, bends, or deflections in any direction.
2. **Exception:** Vertical deflections in solid wall HDPE and ductile iron pipe with flanged restrained mechanical joint bends (not greater than 30°) on steep slopes, provided the pipe drains.
3. A **break in grade** or alignment, or changes in pipe material shall occur only at catch basins or manholes.

### Maximum Pipe Slopes and Velocities

Table 4.2.1.A3 presents maximum pipe slopes and velocities by pipe material.

TABLE 4.2.1.A3 MAXIMUM PIPE SLOPES AND VELOCITIES			
Pipe Material	Pipe Slope above which Pipe Anchors Required and Minimum Anchor Spacing	Maximum Slope Allowed	Maximum Velocity at Full Flow
CMP, Spiral Rib, PVC <sup>(1)</sup>	20% (1 anchor per 100 LF of pipe)	30% <sup>(3)</sup>	30 fps
Concrete, CPE, or PP <sup>(1)</sup>	10% (1 anchor per 50 LF of pipe)	20% <sup>(3)</sup>	30 fps
Ductile Iron <sup>(2)</sup>	20% (1 anchor per pipe section)	None	None
Solid wall HDPE <sup>(2)</sup>	20% (1 anchor per 100 LF of pipe, cross-slope installations only)	None	None
<p><i>Notes:</i></p> <p>(1) These materials are not allowed in <b>landslide hazard areas</b>.</p> <p>(2) Butt-fused or flanged pipe joints are required; above ground installation is recommended on slopes greater than 40%.</p> <p>(3) A maximum slope of 200% is allowed for these pipe materials with no joints (one section), with structures at each end, and with proper grouting.</p>			

## Changes in Pipe Size

1. Increase or decreases in pipe size are **allowed only at structures**. Exceptions may be allowed as follows:
 

**Connections to pipe systems may be made without placing a catch basin or manhole on the mainline by meeting all of the following conditions:**

  - a) The mainline pipe is 48 inches or greater and at least two times the size of the connecting pipe.
  - b) Make connections in accordance with the manufacture's recommendations. Standard shop fabricated tees, wyes and saddles shall be used, except for concrete connections constructed in accordance with the City of Renton Standard Details.
  - c) There shall be a catch basin or manhole on the connecting pipe within 2 to 10 feet of the external wall of the main line.
  - d) Offset angle of connecting pipe to mainline, horizontally and vertically shall be less than 45 degrees.
  - e) Two-point survey control shall be used to set catch basin locations.
2. When **connecting pipes at structures**, match any of the following (in descending order of preference): crowns, 80% diameters,<sup>6</sup> or inverts of pipes. Side lateral connections<sup>7</sup>, 12 inches and smaller, are exempt from this requirement.
3. **Drop manholes** may be used for energy dissipation when pipe velocities exceed 10 feet per second. External drop manholes are preferred where maintenance access to the upstream pipe is preserved by use of a tee section. Internal drop structures may be approved only if adequate scour protection is provided for the manhole walls. Drop structures must be individually engineered to account for design variations, such as flow rates, velocities, scour potential and tipping forces.
4. **Downsizing** pipes larger than 12 inches may be allowed provided pipe capacity is adequate for design flows.

*Note: The above criteria do not apply to detention tanks.*

## Structures

Table 4.2.1.B lists typical drainage structures with corresponding maximum allowable pipe sizes.

1. Catch basin (or manhole) diameter shall be determined by pipe orientation at the junction structure. A **plan view of the junction structure**, drawn to scale, will be required when more than four pipes enter the structure on the same plane, or if angles of approach and clearance between pipes is of concern. The plan view (and sections if necessary) must ensure a minimum distance (of solid concrete wall) between pipe openings of 8 inches for 48-inch and 54-inch catch basins, and 12 inches for 72-inch and 96-inch catch basins.
2. Evaluation of the structural integrity for **H-20 loading**, or as required by the *City of Renton Standard Details*, may be required for multiple junction catch basins and other structures.
3. Catch basins shall be provided within 50 feet of the **entrance to a pipe system** to provide for silt and debris removal.

<sup>6</sup> Match point is at 80% of the pipe diameter, measured from the invert of the respective pipes.

<sup>7</sup> Side laterals include any 8-inch or smaller pipe connected to the main conveyance system at a catch basin, or manhole, as allowed under this manual and/or the *City of Renton Standard Details*. In addition, 12-inch and smaller pipes that serve a single inlet point (e.g., roadway simple inlets, footing drains, and lot stubouts including manifold systems serving multiple residential lots) are also included. Excluded from this definition are inlet pipes that contribute 30% or more of the total flow into a catch basin, or that collect or convey flows from a continuous source.

4. **All solid wall HDPE pipe systems** (including buried solid wall HDPE pipe) must be secured at the upstream end. The downstream end shall be placed in a 4-foot section of the next larger pipe size. This sliding sleeve connection allows for the high thermal expansion/contraction coefficient of this pipe material.
5. The **maximum slope of the ground surface** for a radius of 5 feet around a catch basin grate or solid lid should be 5:1 (H:V) to facilitate maintenance access. Where not physically feasible, a maximum slope of 3:1 (H:V) shall be provided around at least 50% of the catch basin circumference.
6. Catch basins (see *City of Renton Standard Details*) rather than inlets shall be used to collect storm water from road surfaces, unless approved by the City Engineer.
7. Type 2 (see *City of Renton Standard Details*) catch basins shall be used where the depth to the invert of the pipe exceeds 5 feet.
8. Manholes (see *City of Renton Standard Details*) may be used in lieu of catch basins if they do not collect surface water. Manholes must be used if inverts are greater than 18 feet.
9. Roof and yard drains, or other concentrated flow from adjacent property shall not discharge over the surface of roadways, sidewalks, walkways, or shoulders.
10. Catch basins or manholes are required when joining differing types of pipes.
11. The location of at least two points of all catch basins shall be surveyed to ensure that the catch basin, frame and grate will properly align with finished curb, horizontally and vertically.
12. Metal castings for drainage structures shall not be dipped, painted, welded, plugged or repaired.
13. Porosity in metal castings for drainage structures shall be considered a workmanship defect subject to rejection by the inspector.
14. Grates and covers shall be seated properly to prevent rocking, including the replacement of existing covers with solid metal covers.
15. Unless otherwise specified, vaned grates (see *City of Renton Standard Details*), shall be used with standard frame in the traveled way, gutter, or shoulder. Vaned grates shall not be located within crosswalks.
16. At sag vertical curves, on the end of downgrade cul-de-sacs, or before intersections with a grade four percent or greater, an analysis shall be done to assure that typical catch basin grates will collect the surface runoff. To collect excessive volumes of runoff or protect against plugged grates and overflow situations, the City Road Engineer will require the use of through inlet frames on vertical curbs, (see *City of Renton Standard Details*). Where the through-curb inlets cannot be used, place a catch basin at the low point and two extra inlets located not greater than 0.1 foot above the low point grate within a spacing of 25 feet.
17. New catch basins and manholes that do not collect runoff shall use solid locking covers (per *City of Renton Standard Details*). Existing catch basins, which no longer collect runoff, shall have their frame and grates replaced with solid covers.
18. All storm drain covers and grates need to be locking regardless of their location.
19. Slot drains may be used when approved by the City Engineer. At a minimum, slot drains shall have catch basins at either end unless used as a driveway culvert. The maximum distance between catch basins along a slot drain shall be 50 feet.

<b>TABLE 4.2.1.B ALLOWABLE STRUCTURES AND PIPE SIZES</b>		
<b>Catch Basin Type<sup>(1)</sup></b>	<b>Maximum Pipe Diameter</b>	
	<b>CMP, Spiral Rib, Solid Wall HDPE, PVC, and Ductile Iron<sup>(2)</sup></b>	<b>Concrete, CPE, PP</b>
Inlet <sup>(4)</sup>	12"	12"
Type 1 <sup>(3)</sup>	18" <sup>(2)</sup>	12"
Type 1L <sup>(3)</sup>	24"	18"
Type 2 – 48-inch dia.	30"	24"
Type 2 – 54-inch dia.	36"	30"
Type 2 – 72-inch dia.	54"	42"
Type 2 – 96-inch dia.	72"	60"

*Notes:*

(1) Catch basins (including manhole steps, ladder, and handholds) shall conform to the *City of Renton Standard Details*.

(2) Generally these pipe materials will be one size larger than concrete, CPE or PP due to smaller wall thickness. However, for angled connections or those with several pipes on the same plane, this will not apply.

(3) A maximum of 5 vertical feet is allowed between finished grade and invert elevation.

(4) Inlets are normally allowed only for use in privately maintained drainage systems and must discharge to a catch basin immediately downstream.

### Pipe Design between Structures

The following requirements are for privately maintained or City-maintained off-road right-of-way pipe systems. See the *City of Renton Standard Details* for pipe design between structures in City road right-of-way.

1. **Minimum velocity** at full flow should be 3.0 feet per second (fps). If *site* constraints result in velocities less than 3 fps at full flow, impacts from sedimentation in the pipe system shall be addressed with larger pipes, closer spacing of structures, sediment basins, or other similar measures.
2. **Minimum slope** for 8-inch pipes shall be 0.5%; minimum slope for 12-inch or larger pipes shall be 0.2%.
3. **Maximum lengths** between structures shall be 300 feet (for design flows greater than 3 fps). Solid wall HDPE tightlines down steep slopes are self-cleaning and do not require structures for maintenance.

### Pipe Cover

1. Pipe cover, measured from the finished grade elevation to the top of the outside surface of the pipe, shall be **2 feet minimum** unless otherwise specified or allowed below or as allowed above in Table 4.2.1.A2. Under drainage easements, driveways, parking stalls, or other areas subject to light vehicular loading, pipe cover may be reduced to 1 foot minimum if the design considers expected vehicular loading and the cover is consistent with pipe manufacturer's recommendations. Pipe cover in areas not subject to vehicular loads, such as landscape planters and yards, may be reduced to 1 foot minimum.
2. All flexible storm sewer pipe and culvert material shall be covered by a minimum of 2 feet of cover unless the applicant submits detailed plans accompanied by manufacturer's recommendations specifying allowable cover less than 2 feet in depth. All non-flexible storm sewer pipe and culvert material shall be covered by a minimum of 1 foot of cover. Pipe **cover over concrete pipe** shall comply with Table 4.2.1.C. For other pipe types, the manufacturer's specifications or other documentation shall be provided for proposed cover in excess of 30 feet. *Caution: Additional precautions to protect against crushing during construction may be needed under roadways if the road bed is included to meet minimum cover requirements. Damaged pipe shall be replaced.*



3. For proposed **pipe arches**, the manufacturer's specifications or other documentation shall be provided for proposed cover in excess of 8 feet.
4. Pipe cover over **PVC SDR 35** shall be 3 feet minimum and 30 feet maximum.

<b>TABLE 4.2.1.C MAXIMUM COVER (FEET) FOR CONCRETE PIPE</b>					
<b>Pipe Diameter (inches)</b>	<b>Plain</b>	<b>Class II</b>	<b>Class III</b>	<b>Class IV</b>	<b>Class V</b>
12	18	10	14	21	26
18	18	11	14	22	28
24	16	11	15	22	28
30		11	15	23	29
36		11	15	23	29
48		12	15	23	29
60		12	16	24	30
72		12	16	24	30
84		12	16	24	30
96		12	16	24	30
108		12	16	24	30

*Note: See Figure 4.2.1.A for a schematic representation. Only Class IV and V are allowed in public right-of-way.*

### Pipe Clearances

A minimum 7-foot horizontal separation and 1-foot vertical separation (measured wall to wall) is required between storm pipe and other utilities with the exception of water lines where a minimum 10-foot horizontal separation is required.

### Pipe Bedding, Backfill and Compaction

Pipe bedding and backfill shall be in accordance with the *City of Renton Standard Details*. Pipe compaction shall follow the current *WSDOT Standard Specifications*. Where pipes pass through flood containment structures, these standards shall be supplemented and modified as necessary in accordance with standards set forth in *Corps of Engineers Manual for Design and Construction of Levees* (EM 1110-2-1913).

### Pipe System Connections

Connections to a pipe system shall be made only at catch basins or manholes. No wyes or tees are allowed except on roof/footing/yard drain systems on pipes 8 inches in diameter or less, with clean-outs upstream of each wye or tee.

Additional exceptions may be made provided the following conditions are met:

1. The mainline pipe is 48 inches or greater and at least two times the size of the connecting pipe.
2. Make connections in accordance with the manufacturer's recommendations. Standard shop fabricated tees, wyes and saddles shall be used, except for concrete connections constructed in accordance with the *City of Renton Standard Details*.
3. There shall be a catch basin or manhole on the connecting pipe within 2 to 10 feet of the external wall of the main line.
4. Offset angle of connecting pipe to mainline, horizontally and vertically shall be less than 45 degrees.

Storm drainage pipe systems shall not penetrate building foundations, except for sump pump discharge lines used to drain crawl spaces, provided the sump pump system includes a backflow prevention or a check valve.

## Pipe Anchors

Table 4.2.1.A3 presents the requirements, by pipe material, for anchoring pipe systems. Figure 4.2.1.B and Figure 4.2.1.C show schematic representations of pipe anchors.

## Spill Control

Where spill control is required as specified in Section 1.2.4.3.G, allowable options are as follows:

- a) A **tee section** (see Figure 5.1.4.A) in or subsequent to the last catch basin or manhole that collects runoff from non-roof-top *pollution-generating impervious surface* prior to discharge from the *site* or into an onsite *natural drainage feature*.<sup>8</sup> The tee section typically provided in a wetvault or detention facility may be used to meet the intent of this requirement. Unless otherwise specified, the riser top of the tee section shall be at or above the headwater elevation for the 10-year design flow and a minimum of 6 inches below the ceiling of the catch basin or manhole. The bottom end of the tee section shall be as illustrated in Figure 5.1.4.A.
- b) A **wall section** or other device as approved by the City that provides spill control equivalent to that of the tee section specified in a) above.
- c) A **baffle or coalescing plate oil/water separator** at or subsequent to the last catch basin or manhole that collects runoff from non-roof-top *pollution-generating impervious surface* prior to discharge from the *site* or into an onsite natural drainage feature.
- d) An **active spill control plan**. To use this option, the spill control plan and summary of an existing or proposed training schedule must be submitted as part of the drainage review submittal. At a minimum, such plans must include the following:
  - Instructions for isolating the site to prevent spills from moving downstream (shutoff valves, blocking catch basins, etc.)
  - Onsite location of spill clean-up materials
  - Phone numbers to call for emergency response
  - Phone numbers of company officials to notify
  - Special safety precautions, if applicable.

## Debris Barriers

Debris barriers (trash racks) are required on all pipes 18 to 36 inches in diameter entering a closed pipe system. Debris barriers for pipes smaller than 18 inches and larger than 36 inches in diameter may be required depending on conditions and safety concerns. Debris barriers shall have a bar spacing of 6 inches. See Figure 4.2.1.D for a schematic representation of debris barriers on pipe ends outside of roadways. See Figure 4.2.1.E and Section 4.3 for a schematic representation of debris barriers on pipe ends (culverts) projecting from driveway or roadway side slopes.

## Outfalls

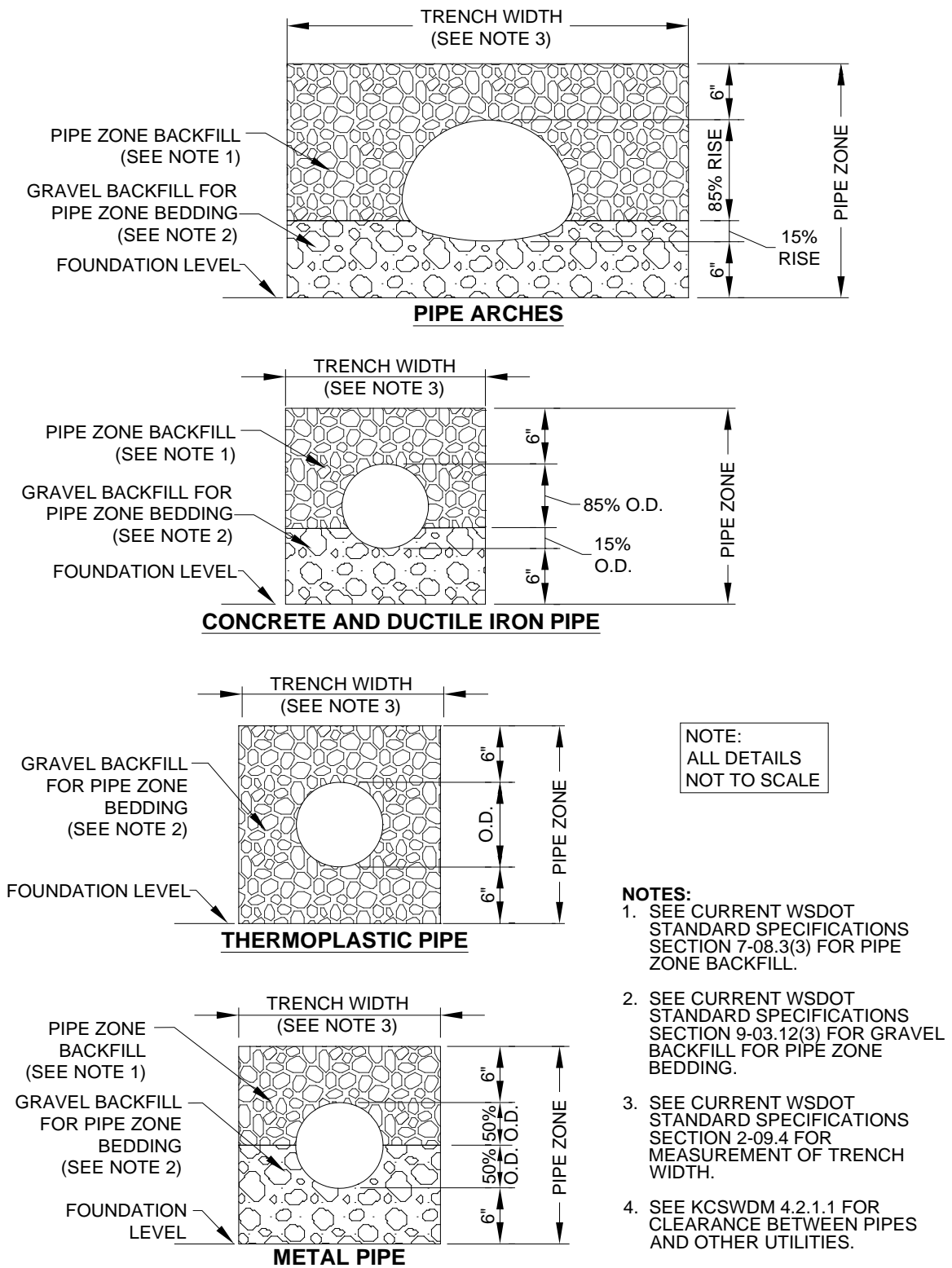
Outfalls shall be designed as detailed in Section 4.2.2.

## Other Details

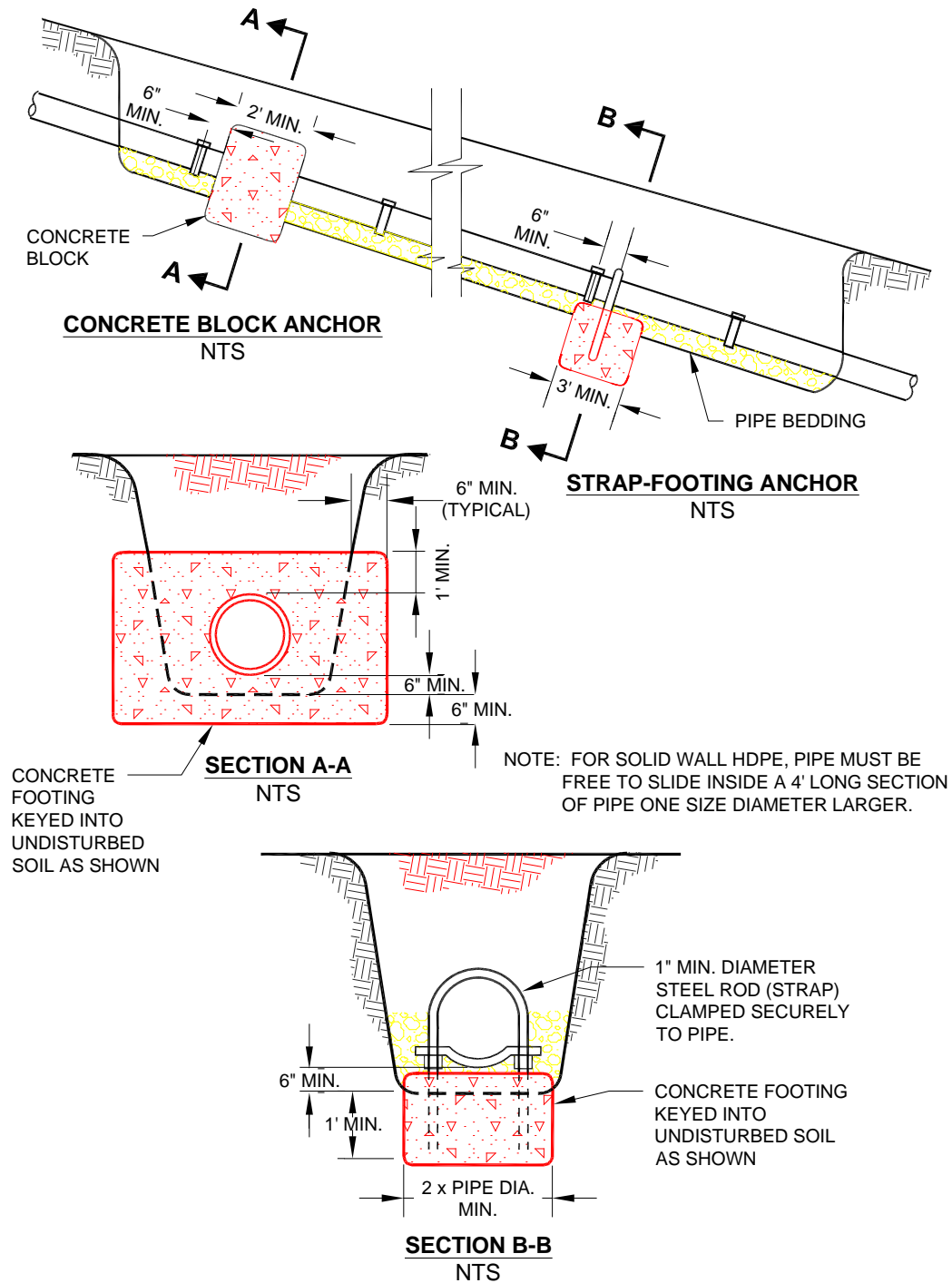
In addition to the schematic representations provided in Figure 4.2.1.A through Figure 4.2.1.E, standard construction details are available in the *City of Renton Standard Details* and *APWA/WSDOT Standard Plans for Road, Bridge and Municipal Construction*. Commonly used details include field tapping of concrete pipe, catch basins and catch basin details, manholes and manhole details, curb inlets, frames, grates, and covers.

<sup>8</sup> *Natural onsite drainage feature* means a natural swale, channel, stream, closed depression, wetland, or lake.

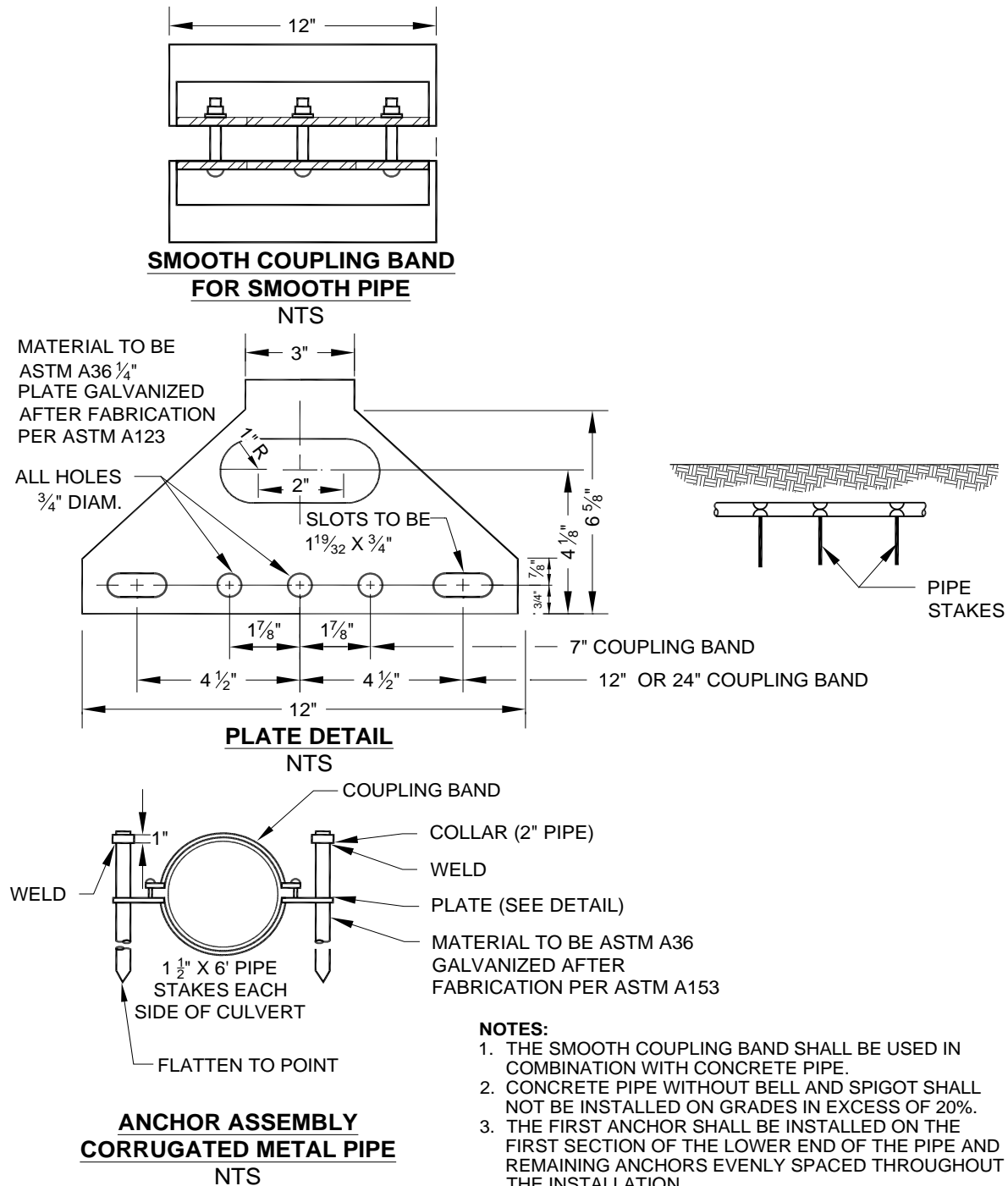
**FIGURE 4.2.1.A SCHEMATIC REPRESENTATION OF PIPE BEDDING AND BACKFILL DESIGNS**



**FIGURE 4.2.1.B SCHEMATIC REPRESENTATION OF A PIPE ANCHOR DETAIL**



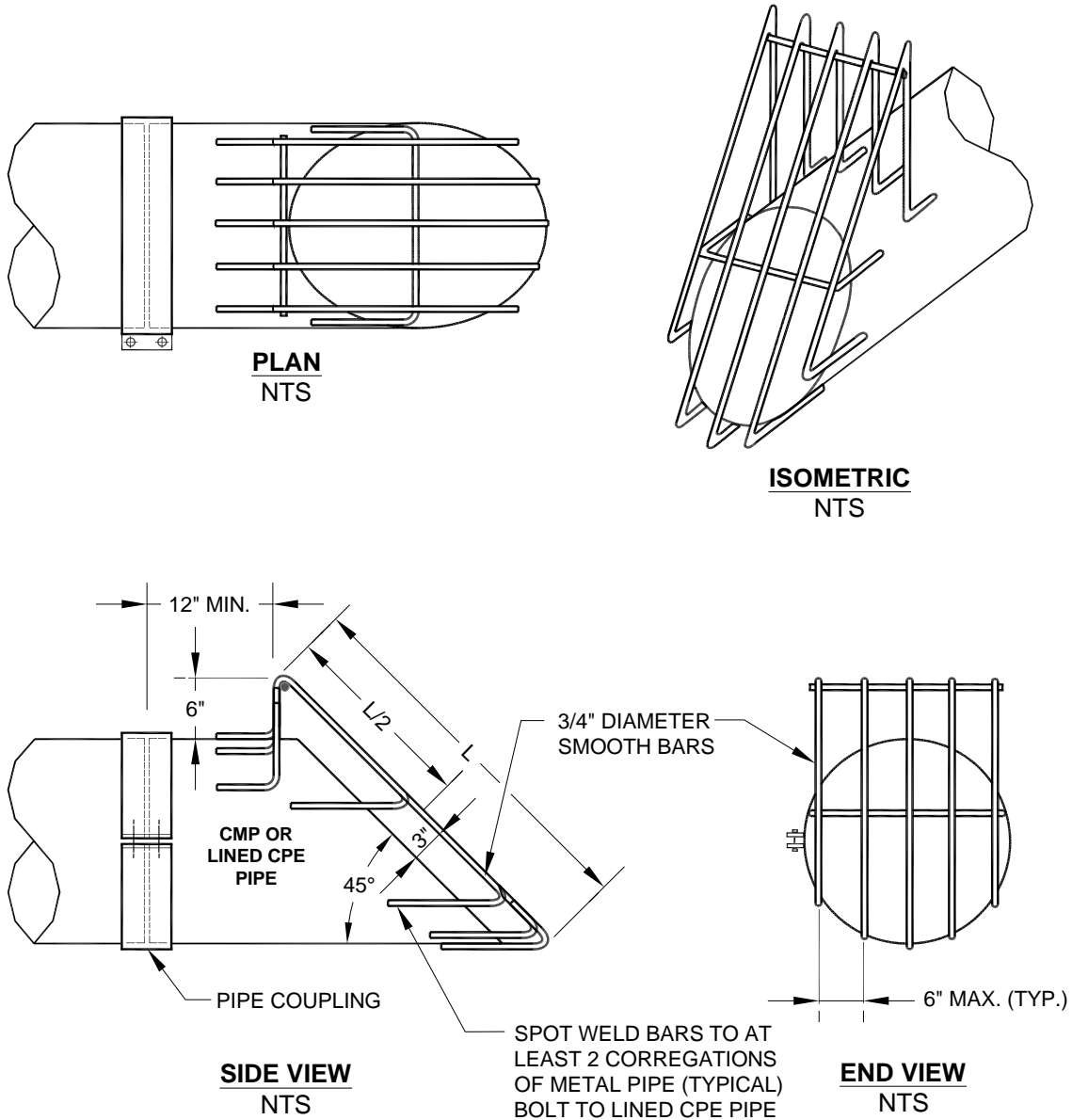
**FIGURE 4.2.1.C SCHEMATIC REPRESENTATION OF CORRUGATED METAL PIPE COUPLING AND/OR GENERAL PIPE ANCHOR ASSEMBLY**



**FIGURE 4.2.1.D SCHEMATIC REPRESENTATION OF A DEBRIS BARRIER (OFF-ROAD RIGHT-OF-WAY)**

**NOTES:**

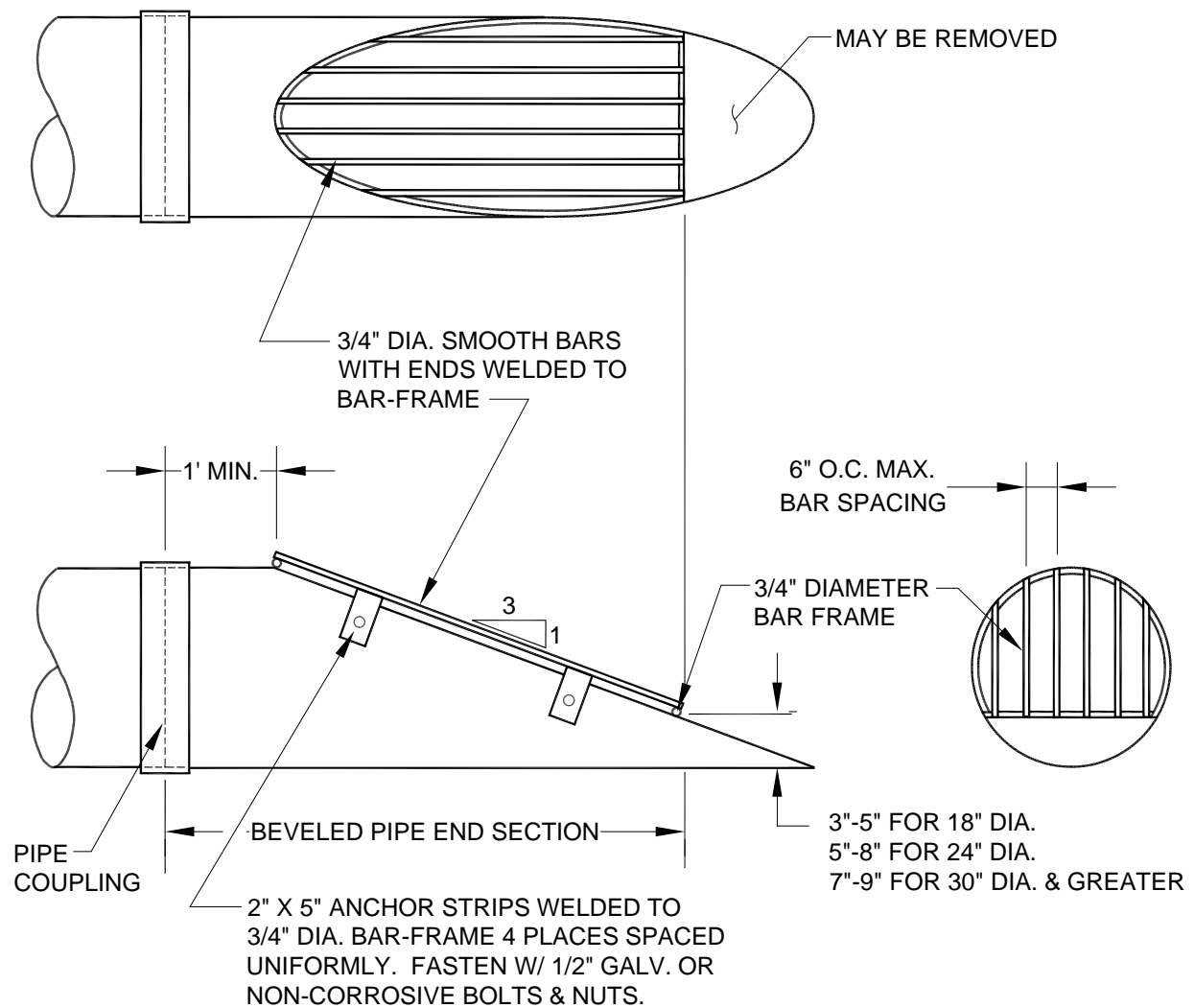
1. THIS DEBRIS BARRIER IS FOR USE OUTSIDE ROADWAYS ON PIPES 18" DIA. TO 36" DIA.. SEE FIGURE 4.2.1.E FOR DEBRIS BARRIERS ON PIPES PROJECTING FROM DRIVEWAY OR ROADWAY SIDE SLOPES.
2. ALL STEEL PARTS MUST BE GALVANIZED AND ASPHALT COATED (TREATMENT 1 OR BETTER).
3. LINED CPE PIPE REQUIRES BOLTS TO SECURE DEBRIS BARRIER TO PIPE.



**FIGURE 4.2.1.E SCHEMATIC REPRESENTATION OF A DEBRIS BARRIER  
(IN ROAD RIGHT-OF-WAY)**

**NOTES:**

1. CMP OR LINED CPE PIPE END-SECTION SHOWN; FOR CONCRETE PIPE BEVELED END SECTION, SEE KCRDCS DRAWING NO. 7-001.
2. ALL STEEL PARTS MUST BE GALVANIZED AND ASPHALT COATED (TREATMENT 1 OR BETTER).



### 4.2.1.2 METHODS OF ANALYSIS

This section presents the methods of analysis for designing new or evaluating existing **pipe systems** for compliance with the conveyance capacity requirements set forth in Section 1.2.4, “Core Requirement #4: Conveyance System.”

#### ❑ DESIGN FLOWS

Design flows for sizing or assessing the capacity of pipe systems shall be determined using the hydrologic analysis methods described in Chapter 3.

#### ❑ INLET GRATE CAPACITY

The methods described in Chapter 5, Sections 4 and 5, of the *Washington State Department of Transportation (WSDOT) Hydraulics Manual* may be used in determining the capacity of inlet grates when capacity is of concern, with the following exceptions:

1. Use design flows as required in Section 1.2.4 of this manual.
2. Assume grate areas on slopes are 80% free of debris; “vaned” grates, 95% free.
3. Assume grate areas in sags or low spots are 50% free of debris; “vaned” grates, 75% free.

#### ❑ CONVEYANCE CAPACITY

Two methods of hydraulic analysis using Manning's equation are used sequentially for the design and analysis of pipe systems. First, the **Uniform Flow Analysis method** is used for the preliminary design of new pipe systems. Second, the **Backwater Analysis method** is used to analyze both proposed and existing pipe systems to verify adequate capacity. See Core Requirement #4, Section 1.2.4, for sizing requirements of pipe systems.

*Note: Use of the Uniform Flow Analysis method to determine preliminary pipe sizes is only suggested as a first step in the design process and is not required. Results of the Backwater Analysis method determine final pipe sizes in all cases.*

#### Uniform Flow Analysis Method

In addition to the design criteria described below, new pipe systems shall be design to meet the hydraulic criteria as described in Section 1.2.4.1.

This method is used for **preliminary sizing** of new pipe systems to convey the *design flow* (i.e., the 10-year or 25-year peak flow rate as specified in Core Requirement #4, Section 1.2.4).

Assumptions:

- Flow is uniform in each pipe (i.e., depth and velocity remain constant throughout the pipe for a given flow).
- Friction head loss in the pipe barrel alone controls capacity. Other head losses (e.g., entrance, exit, junction, etc.) and any backwater effects or inlet control conditions are not specifically addressed.

Each pipe within the system is sized and sloped such that its **barrel capacity at normal full flow** (computed by Manning's equation) is equal to or greater than the design flow. The nomograph in Figure 4.2.1.F may be used for an approximate solution of Manning's equation. For more precise results, or for partial pipe full conditions, solve Manning's equation directly:



$$V = \frac{1.49}{n} R^{2/3} S^{1/2} \quad (4-1)$$

or use the continuity equation,  $Q = AV$ , such that:

$$Q = \frac{1.49}{n} A R^{2/3} S^{1/2} \quad (4-2)$$

where

- $Q$  = discharge (cfs)
- $V$  = velocity (fps)
- $A$  = area (sf)
- $n$  = Manning's roughness coefficient; see Table 4.2.1.D below
- $R$  = hydraulic radius = area/wetted perimeter (ft)
- $S$  = slope of the energy grade line (ft/ft)

For **pipes flowing partially full**, the actual velocity may be estimated from the hydraulic properties shown in Figure 4.2.1.G by calculating  $Q_{full}$  and  $V_{full}$  and using the ratio  $Q_{design}/Q_{full}$  to find  $V$  and  $d$  (depth of flow).

Table 4.2.1.D provides the recommended **Manning's "n" values for preliminary design** using the Uniform Flow Analysis method for pipe systems. *Note: The "n" values for this method are 15% higher in order to account for entrance, exit, junction, and bend head losses.*

TABLE 4.2.1.D MANNING'S "n" VALUES FOR PIPES		
Type of Pipe Material	Analysis Method	
	Uniform Flow (preliminary design)	Backwater Flow (capacity verification)
A. Concrete pipe, lined CPE pipe and lined PP pipe	0.014	0.012
B. Annular Corrugated Metal Pipe or Pipe Arch:		
1. 2-2/3" x 1/2" corrugation (riveted):		
a. plain or fully coated	0.028	0.024
b. paved invert (40% of circumference paved):		
1) flow at full depth	0.021	0.018
2) flow at 80% full depth	0.018	0.016
3) flow at 60% full depth	0.015	0.013
c. treatment 5	0.015	0.013
2. 3" x 1" corrugation	0.031	0.027
3. 6" x 2" corrugation (field bolted)	0.035	0.030
C. Helical 2-2/3" x 1/2" corrugation and unlined CPE pipe	0.028	0.024
D. Spiral rib metal pipe and PVC pipe	0.013	0.011
E. Ductile iron pipe cement lined	0.014	0.012
F. Solid wall HDPE pipe (butt fused only)	0.009	0.009

### Backwater Analysis Method

This method is used to analyze the capacity of both new and existing pipe systems to convey the required design flow (i.e., either the 10-year or 25-year peak flow, whichever is specified in Core Requirement #4, Section 1.2.4). In either case, pipe system structures must be demonstrated to contain the **headwater surface** (hydraulic grade line) for the specified peak flow rate. Structures may overtop for the 100-year peak flow as allowed by Core Requirement #4. When this occurs, the additional flow over the ground surface is analyzed using the methods for open channels described in Section 0 and added to the flow capacity of the pipe system.

This method is used to compute a **simple backwater profile** (hydraulic grade line) through a proposed or existing pipe system for the purposes of verifying adequate capacity. It incorporates a re-arranged form of Manning's equation expressed in terms of *friction slope* (slope of the energy grade line in ft/ft). The friction slope is used to determine the head loss in each pipe segment due to barrel friction, which can then be combined with other head losses to obtain water surface elevations at all structures along the pipe system.

The backwater analysis begins at the downstream end of the pipe system and is computed back through each pipe segment and structure upstream. The friction, entrance, and exit head losses computed for each pipe segment are added to that segment's tailwater elevation (the water surface elevation at the pipe's outlet) to obtain its **outlet control** headwater elevation. This elevation is then compared with the **inlet control** headwater elevation, computed assuming the pipe's inlet alone is controlling capacity using the methods for inlet control presented in Section 4.3.1.2. The condition that creates the highest headwater elevation determines the pipe's capacity. The approach velocity head is then subtracted from the controlling headwater elevation, and the junction and bend head losses are added to compute the total headwater elevation, which is then used as the tailwater elevation for the upstream pipe segment.

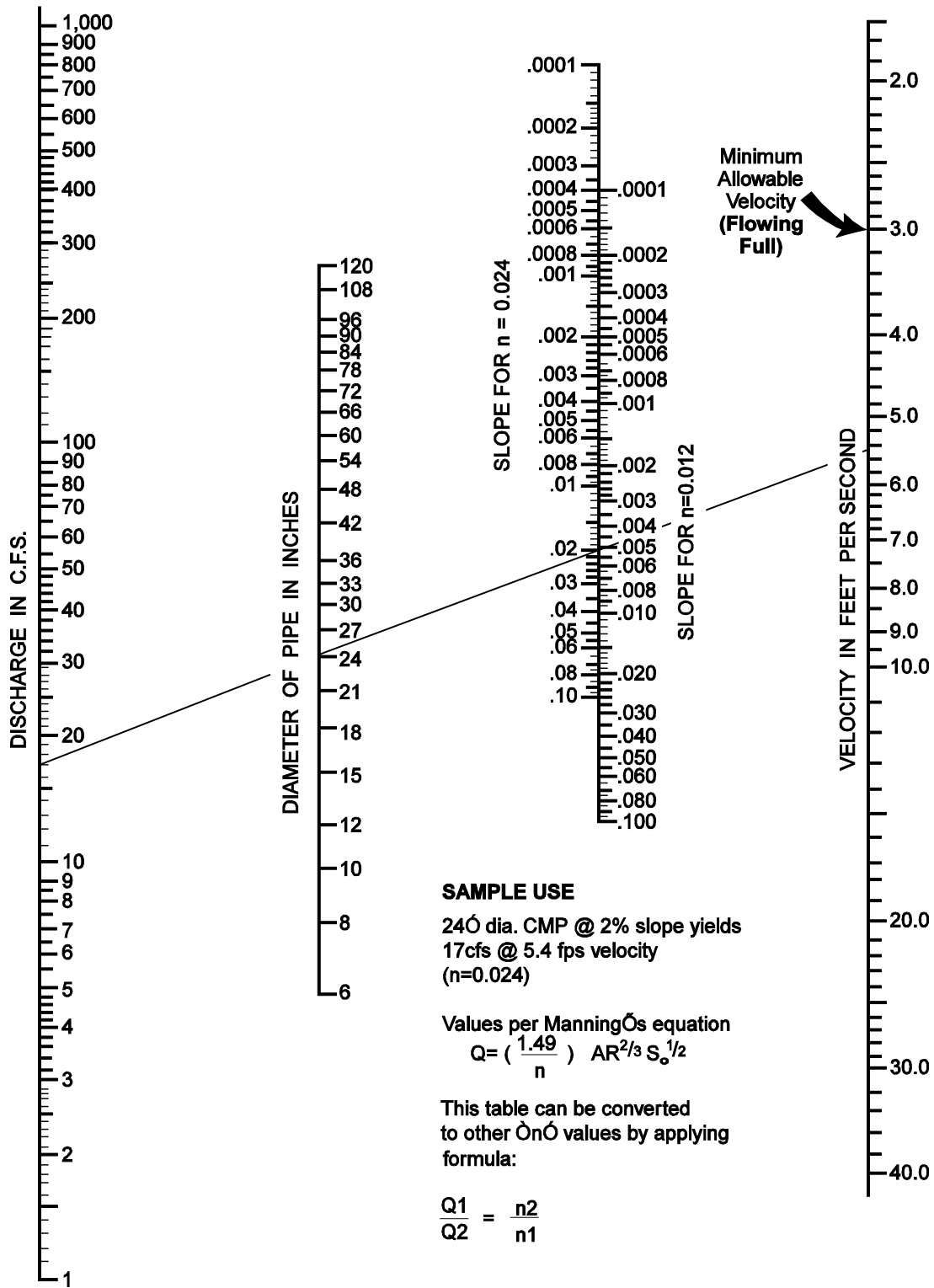
The **Backwater Calculation Sheet** in Figure 4.2.1.H may be used to compile the head losses and headwater elevations for each pipe segment. The numbered columns on this sheet are described in Figure 4.2.1.I. An example calculation is performed in Figure 4.2.1.J.

*Note: This method should not be used to compute stage/discharge curves for level pool routing purposes. Instead, a more sophisticated backwater analysis using the computer software provided with this manual is recommended as described below.*

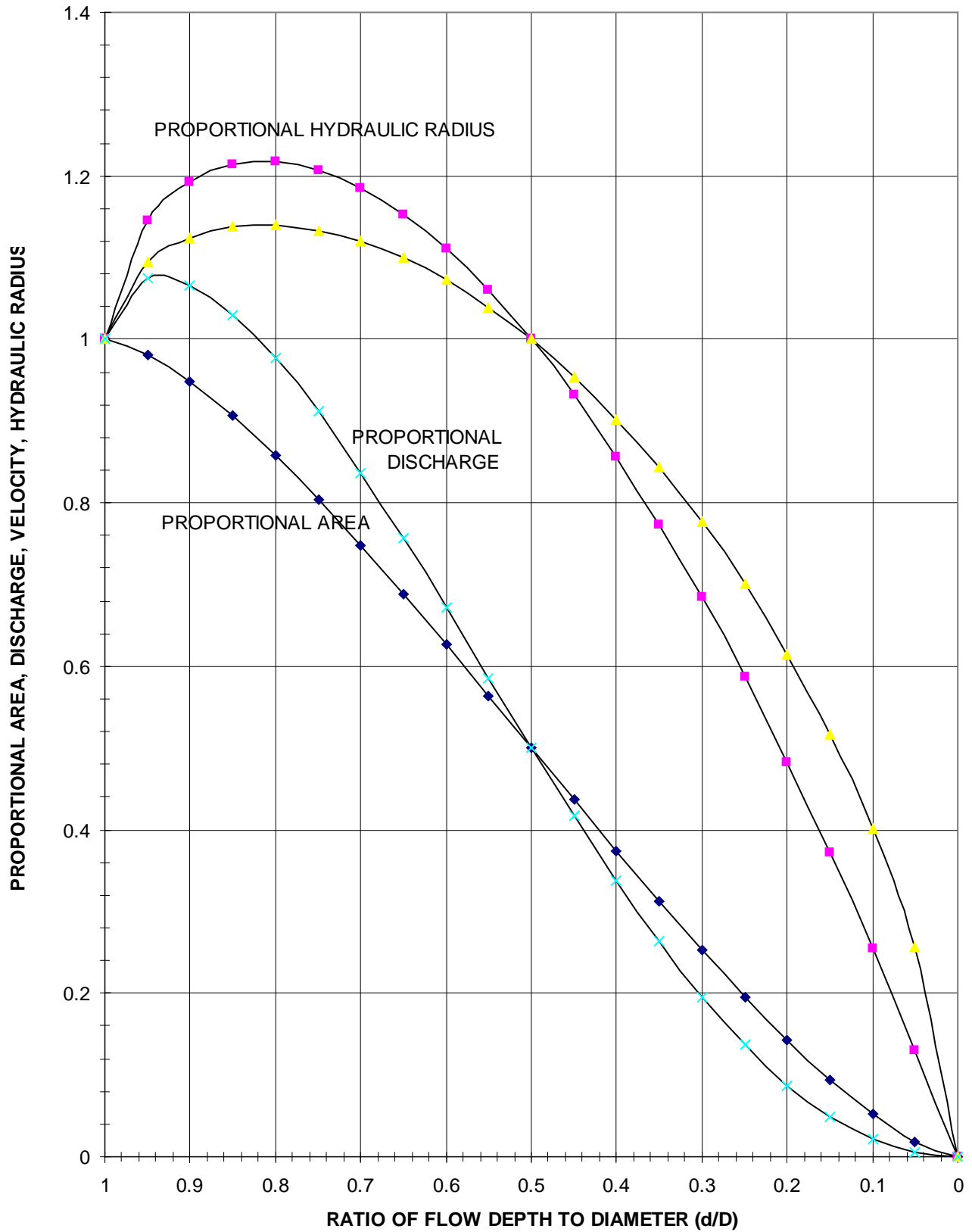
### Computer Applications

The **King County Backwater (KCBW) computer program** includes a subroutine **BWPIPE**, which may be used to quickly compute a family of backwater profiles for a given range of flows through a proposed or existing pipe system. A schematic description of the nomenclature used in this program is provided in Figure 4.3.1.G. Program documentation providing instructions on the use of this and the other KCBW subroutines is available from King County Department of Natural Resources and Parks (DNRP).

**FIGURE 4.2.1.F NOMOGRAPH FOR SIZING CIRCULAR DRAINS FLOWING FULL**



**FIGURE 4.2.1.G CIRCULAR CHANNEL RATIOS**



**FIGURE 4.2.1.H BACKWATER CALCULATION SHEET**

	(1)	(2)	(3)	(4)	(5)	(6)	(7)	(8)	(9)	(10)	(11)	(12)	(13)	(14)	(15)	(16)	(17)	(18)	(19)	(20)		
Pipe Segment CB to CB	Q (cfs)	Length (ft)	Pipe Size	On Value	Outlet Elev (ft)	Inlet Elev (ft)	Barrel Area (sq. ft)	Barrel Vel (fps)	Barrel Head (ft)	TW Elev (ft)	Fric- tion Loss (ft)	Entr HGL Elev (ft)	Entr Head Loss (ft)	Exit Head Loss (ft)	Outft Cntrl Elev (ft)	Inlet Cntrl Elev (ft)	Appr Vel Head (ft)	Bend Head Loss (ft)	Junc Head Loss (ft)	HW Elev (ft)		

### FIGURE 4.2.1.I BACKWATER CALCULATION SHEET NOTES

- Column (1) - Design flow to be conveyed by pipe segment.
- Column (2) - Length of pipe segment.
- Column (3) - Pipe Size; indicate pipe diameter or span x rise.
- Column (4) - Manning's "n" value.
- Column (5) - Outlet Elevation of pipe segment.
- Column (6) - Inlet Elevation of pipe segment.
- Column (7) - Barrel Area; this is the full cross-sectional area of the pipe.
- Column (8) - Barrel Velocity; this is the full velocity in the pipe as determined by:  

$$V = Q/A \text{ or } \text{Col.}(8) = \text{Col.}(1) / \text{Col.}(7)$$
- Column (9) - Barrel Velocity Head =  $V^2/2g$  or  $(\text{Col.}(8))^2/2g$   
 where  $g = 32.2 \text{ ft/sec}^2$  (acceleration due to gravity)
- Column (10) - Tailwater (TW) Elevation; this is the water surface elevation at the outlet of the pipe segment. If the pipe's outlet is not submerged by the TW and the TW depth is less than  $(D+d_c)/2$ , set TW equal to  $(D+d_c)/2$  to keep the analysis simple and still obtain reasonable results ( $D$  = pipe barrel height and  $d_c$  = critical depth, both in feet. See Figure 4.3.1.F for determination of  $d_c$ ).
- Column (11) - Friction Loss =  $S_f \times L$  [or  $S_f \times \text{Col.}(2)$ ]  
 where  $S_f$  is the friction slope or head loss per linear foot of pipe as determined by Manning's equation expressed in the form:  

$$S_f = (nV)^2/2.22 R^{1.49}$$
- Column (12) - Hydraulic Grade Line (HGL) Elevation just inside the entrance of the pipe barrel; this is determined by adding the friction loss to the TW elevation:  

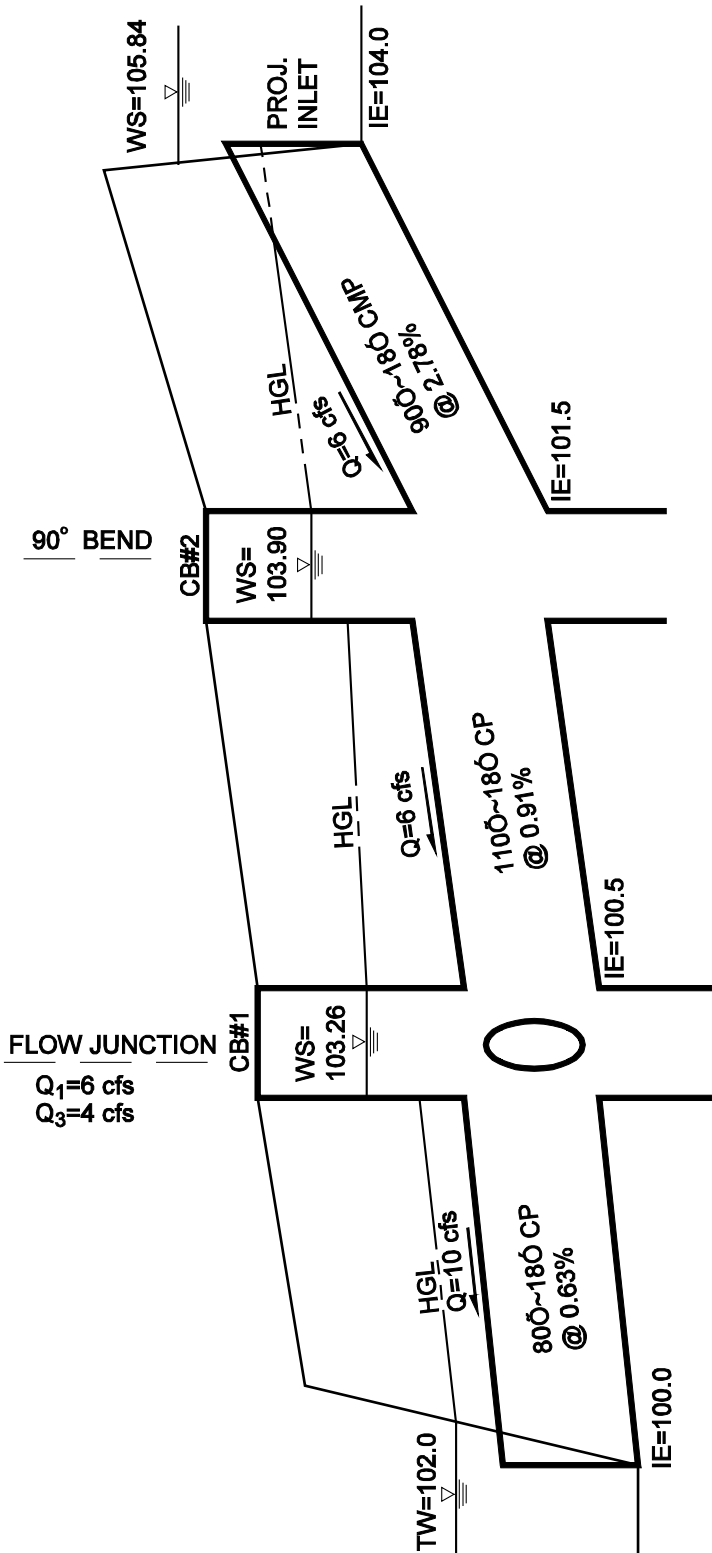
$$\text{Col.}(12) = \text{Col.}(11) + \text{Col.}(10)$$
  
 If this elevation falls below the pipe's inlet crown, it no longer represents the true HGL when computed in this manner. The true HGL will fall somewhere between the pipe's crown and either normal flow depth or critical flow depth, whichever is greater. To keep the analysis simple and still obtain reasonable results (i.e., erring on the conservative side), set the HGL elevation equal to the crown elevation.
- Column (13) - Entrance Head Loss =  $K_e \times V^2/2g$  [or  $K_e \times \text{Col.}(9)$ ]  
 where  $K_e$  = Entrance Loss Coefficient (from Table 4.3.1.B). This is the head lost due to flow contractions at the pipe entrance.
- Column (14) - Exit Head Loss =  $1.0 \times V^2/2g$  or  $1.0 \times \text{Col.}(9)$   
 This is the velocity head lost or transferred downstream.
- Column (15) - Outlet Control Elevation =  $\text{Col.}(12) + \text{Col.}(13) + \text{Col.}(14)$   
 This is the maximum headwater elevation assuming the pipe's barrel and inlet/outlet characteristics are controlling capacity. It does not include structure losses or approach velocity considerations.
- Column (16) - Inlet Control Elevation (see Section 4.3.1.2, for computation of inlet control on culverts); this is the maximum headwater elevation assuming the pipe's inlet is controlling capacity. It does not include structure losses or approach velocity considerations.
- Column (17) - Approach Velocity Head; this is the amount of head/energy being supplied by the discharge from an upstream pipe or channel section, which serves to reduce the headwater elevation. If the discharge is from a pipe, the approach velocity head is equal to the barrel velocity head computed for the upstream pipe. If the upstream pipe outlet is significantly higher in elevation (as in a drop manhole) or lower in elevation such that its discharge energy would be dissipated, an approach velocity head of zero should be assumed.
- Column (18) - Bend Head Loss =  $K_b \times V^2/2g$  [or  $K_b \times \text{Col.}(17)$ ]  
 where  $K_b$  = Bend Loss Coefficient (from Figure 4.2.1.K). This is the loss of head/energy required to change direction of flow in an access structure.
- Column (19) - Junction Head Loss. This is the loss in head/energy that results from the turbulence created when two or more streams are merged into one within the access structure. Figure 4.2.1.L may be used to determine this loss, or it may be computed using the following equations derived from Figure 4.2.1.L:  

$$\text{Junction Head Loss} = K_j \times V^2/2g \text{ [or } K_j \times \text{Col.}(17)\text{]}$$
  
 where  $K_j$  is the Junction Loss Coefficient determined by:  

$$K_j = (Q_3/Q_1)/(1.18 + 0.63(Q_3/Q_1))$$
- Column (20) - Headwater (HW) Elevation; this is determined by combining the energy heads in Columns 17, 18, and 19 with the highest control elevation in either Column 15 or 16, as follows:  

$$\text{Col.}(20) = \text{Col.}(15 \text{ or } 16) - \text{Col.}(17) + \text{Col.}(18) + \text{Col.}(19)$$

FIGURE 4.2.1.J BACKWATER PIPE CALCULATION EXAMPLE



BACKWATER CALCULATION SHEET

Pipe Segment CB to CB	(1) Q (cfs)	(2) Length (ft)	(3) Pipe Size	(4) On Value	(5) Outlet Elev (ft)	(6) Inlet Elev (ft)	(7) Barrel Area (sqft)	(8) Barrel Vel (fps)	(9) Barrel Vel Head (ft)	(10) TW Elev (ft)	(11) Fric- tion Loss (ft)	(12) Entr HGL Elev (ft)	(13) Entr Head Loss (ft)	(14) Exit Head Loss (ft)	Select the greater elevation				HW Elev (ft)	
															(15) Outlt Contr Elev (ft)	(16) Inlet Contr Elev (ft)	(17) Appr Vel Head (ft)	(18) Bend Head Loss (ft)		(19) Junc Head Loss (ft)
1	10	80	18Ø	0.012	100.00	100.50	1.77	5.65	0.50	102.00	0.62	102.62	0.25	0.50	103.37	102.75	-0.18	0.002	0.07	103.26
2	6	110	18Ø	0.012	100.50	101.50	1.77	3.39	0.18	103.26	0.31	103.57	0.09	0.18	103.84	102.95	-0.18	0.24	0.0	103.90
Inlet	6	90	18Ø	0.024	101.50	104.00	1.77	3.39	0.18	103.90	1.00	(104.9) 105.5	0.16	0.18	105.84	105.80	-0.0	0.0	0.0	105.84

**FIGURE 4.2.1.K BEND HEAD LOSSES IN STRUCTURES**

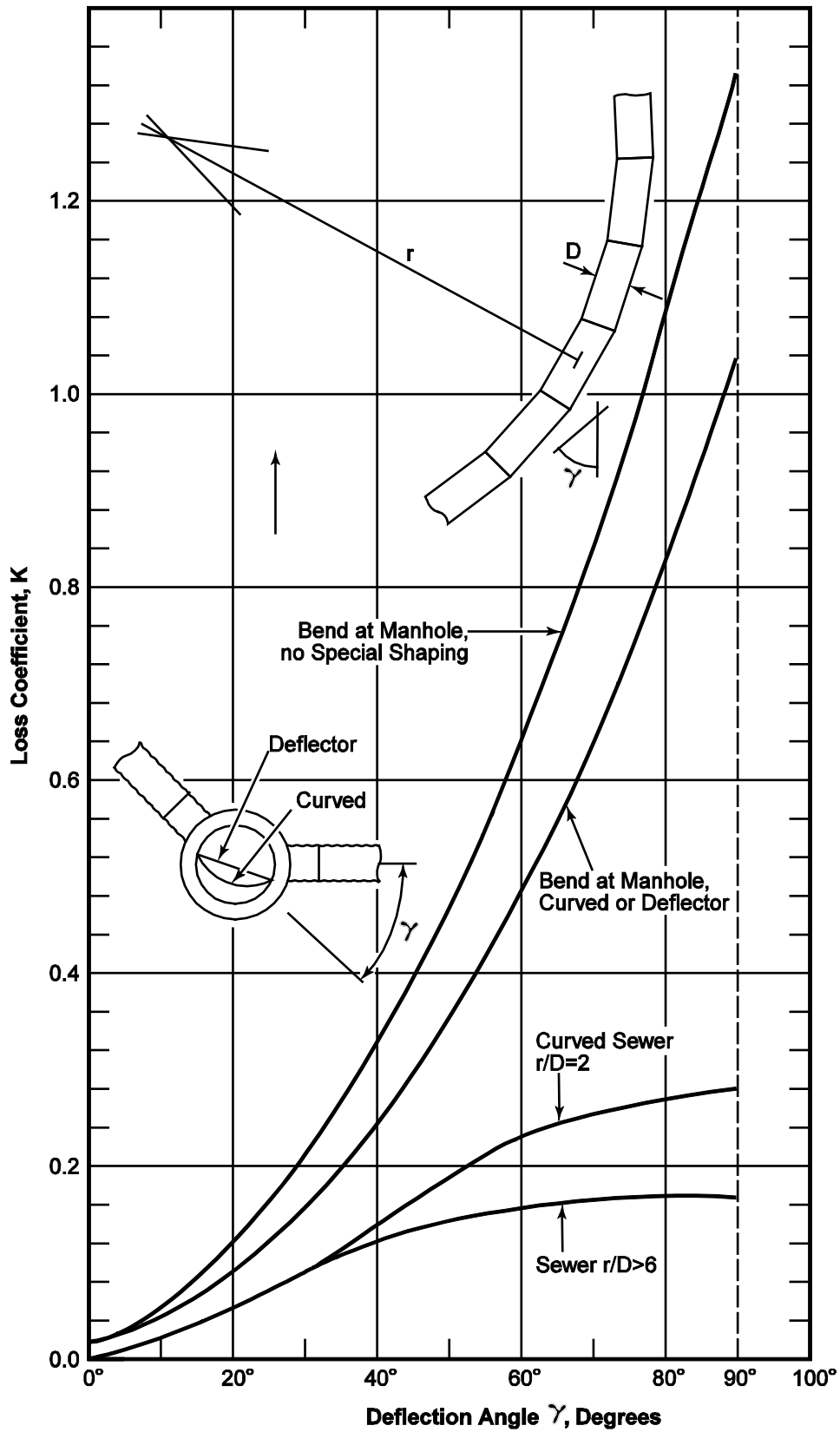
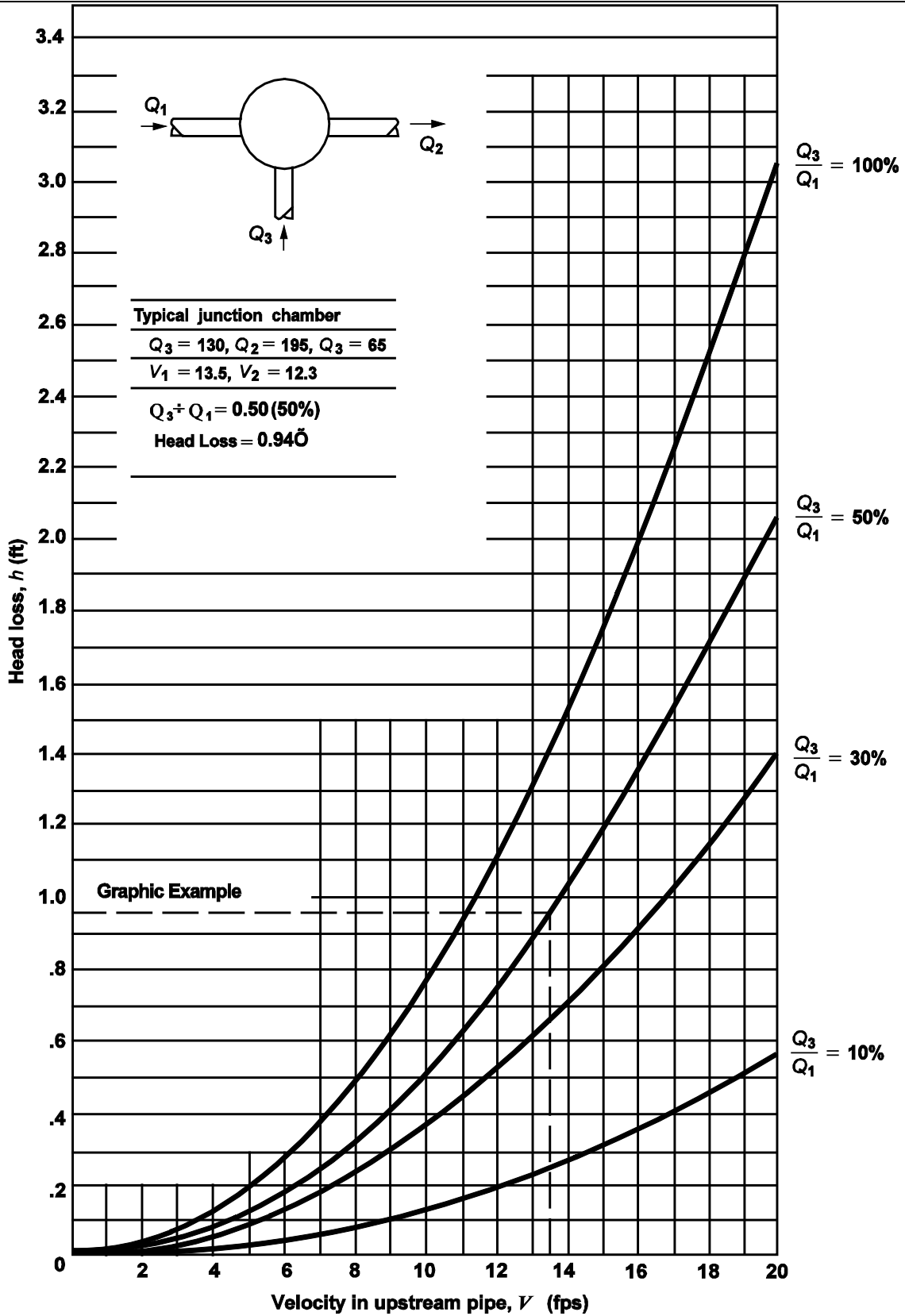




FIGURE 4.2.1.L JUNCTION HEAD LOSS IN STRUCTURES



## 4.2.2 OUTFALL SYSTEMS

Properly designed outfalls are critical to ensuring no adverse impacts occur as the result of concentrated discharges from pipe systems and culverts, both onsite and downstream. *Outfall systems* include rock splash pads, flow dispersal trenches, gabion or other energy dissipaters, and tightline systems. A *tightline system* is typically a continuous length of pipe used to convey flows down a steep or sensitive slope with appropriate energy dissipation at the discharge end. In general, it is recommended that conveyance systems be designed to reduce velocity above outfalls to the extent feasible.

### 4.2.2.1 DESIGN CRITERIA

#### General

At a minimum, all outfalls shall be provided with a **rock splash pad** (see Figure 4.2.2.A ) except as specified below and in Table 4.2.2.A:

1. The **flow dispersal trench** shown in Figure 4.2.2.B shall only be used as an outfall as described in Core Requirement #1, Section 1.2.1.
2. For outfalls with a velocity at design flow greater than 10 fps, a **gabion dissipater** or **engineered energy dissipater** shall be required. Note the gabion outfall detail shown in Figure 4.2.2.D is illustrative only; a design engineered to specific *site* conditions is required. Gabions shall conform to WDSOT/APWA specifications.
3. **Engineered energy dissipaters**, including stilling basins, drop pools, hydraulic jump basins, baffled aprons, and bucket aprons, are required for outfalls with velocity at design flow greater than 20 fps. These should be designed using published or commonly known techniques found in such references as *Hydraulic Design of Energy Dissipaters for Culverts and Channels*, published by the Federal Highway Administration of the United States Department of Transportation; *Open Channel Flow*, by V.T. Chow; *Hydraulic Design of Stilling Basins and Energy Dissipaters*, EM 25, Bureau of Reclamation (1978); and other publications, such as those prepared by the Soil Conservation Service (now Natural Resource Conservation Service). **Alternate mechanisms**, such as bubble-up structures (which will eventually drain) and structures fitted with reinforced concrete posts, may require an approved adjustment and must be designed using sound hydraulic principles and considering constructability and ease of maintenance.
4. **Tightline systems** shall be used when required by the discharge requirements of Core Requirement #1 or the outfall requirements of Core Requirement #4. Tightline systems may also be used to prevent aggravation or creation of a downstream erosion problem.
5. **Flood closure devices** shall be provided on new outfalls passing through existing levees or other features that contain floodwaters. Such structures shall be designed to the *Corps of Engineers Manual for Design and Construction of Levees* (EM 1110-2-1913).
6. **Backup (secondary gate) closure devices** shall be required for new outfalls through flood containment levees unless this requirement is specifically waived by the City.
7. New **outfalls through levees along the Green River** between River Mile 6 and State Route 18 shall comply with the terms of the adopted *Lower Green River Pump Operation Procedures Plan*.

#### Tightline Systems

1. Outfall tightlines may be installed in trenches with standard bedding on **slopes up to 40%**. In order to minimize disturbance to **slopes greater than 40%**, it is recommended that tightlines be placed at grade with proper pipe anchorage and support.

2. Solid wall HDPE tightlines must be designed to address the material limitations, particularly **thermal expansion and contraction** and pressure design, as specified by the manufacturer. The coefficient of thermal expansion and contraction for solid wall HDPE is on the order of 0.001 inch per foot per Fahrenheit degree. **Sliding sleeve connections** shall be used to address this thermal expansion and contraction. These sleeve connections consist of a section of the appropriate length of the next larger size diameter of pipe into which the outfall pipe is fitted. These sleeve connections must be located as close to the discharge end of the outfall system as is practical.
3. Solid wall HDPE tightlines shall be designed and sized using the applicable design criteria and methods of analysis specified for pipe systems in Section 4.2.1.
4. Due to the ability of solid wall HDPE tightlines to transmit flows of very high energy, special consideration for **energy dissipation** must be made. A schematic representation of a “gabion mattress energy dissipater” has been provided as Figure 4.2.2.D . Flows of very high energy will require a specifically engineered energy dissipater structure, as described above in General Criterion #3. *Caution, the in-stream sample gabion mattress energy dissipater may not be acceptable within the ordinary high water mark of fish-bearing waters or where gabions will be subject to abrasion from upstream channel sediments. A four-sided gabion basket located outside the ordinary high water mark should be considered for these applications.*

TABLE 4.2.2.A ROCK PROTECTION AT OUTFALLS

Discharge Velocity at Design Flow (fps)		REQUIRED PROTECTION				
Greater than	Less than or equal to	Minimum Dimensions <sup>(1)</sup>				
		Type	Thickness	Width	Length	Height
0	5	Rock lining <sup>(2)</sup>	1 foot	Diameter + 6 feet	8 feet or 4 x diameter, whichever is greater	Crown + 1 foot
5	10	Riprap <sup>(3)</sup>	2 feet	Diameter + 6 feet or 3 x diameter, whichever is greater	12 feet or 4 x diameter, whichever is greater	Crown + 1 foot
10	20	Gabion outfall	As required	As required	As required	Crown + 1 foot
20	N/A	Engineered energy dissipater required				

(1) These sizes assume that erosion is dominated by outfall energy. In many cases sizing will be governed by conditions in the receiving waters.

(2) **Rock lining** shall be quarry spalls with gradation as follows:

Passing 8-inch square sieve: 100%

Passing 3-inch square sieve: 40 to 60% maximum

Passing 3/4-inch square sieve: 0 to 10% maximum

(3) **Riprap** shall be reasonably well graded with gradation as follows:

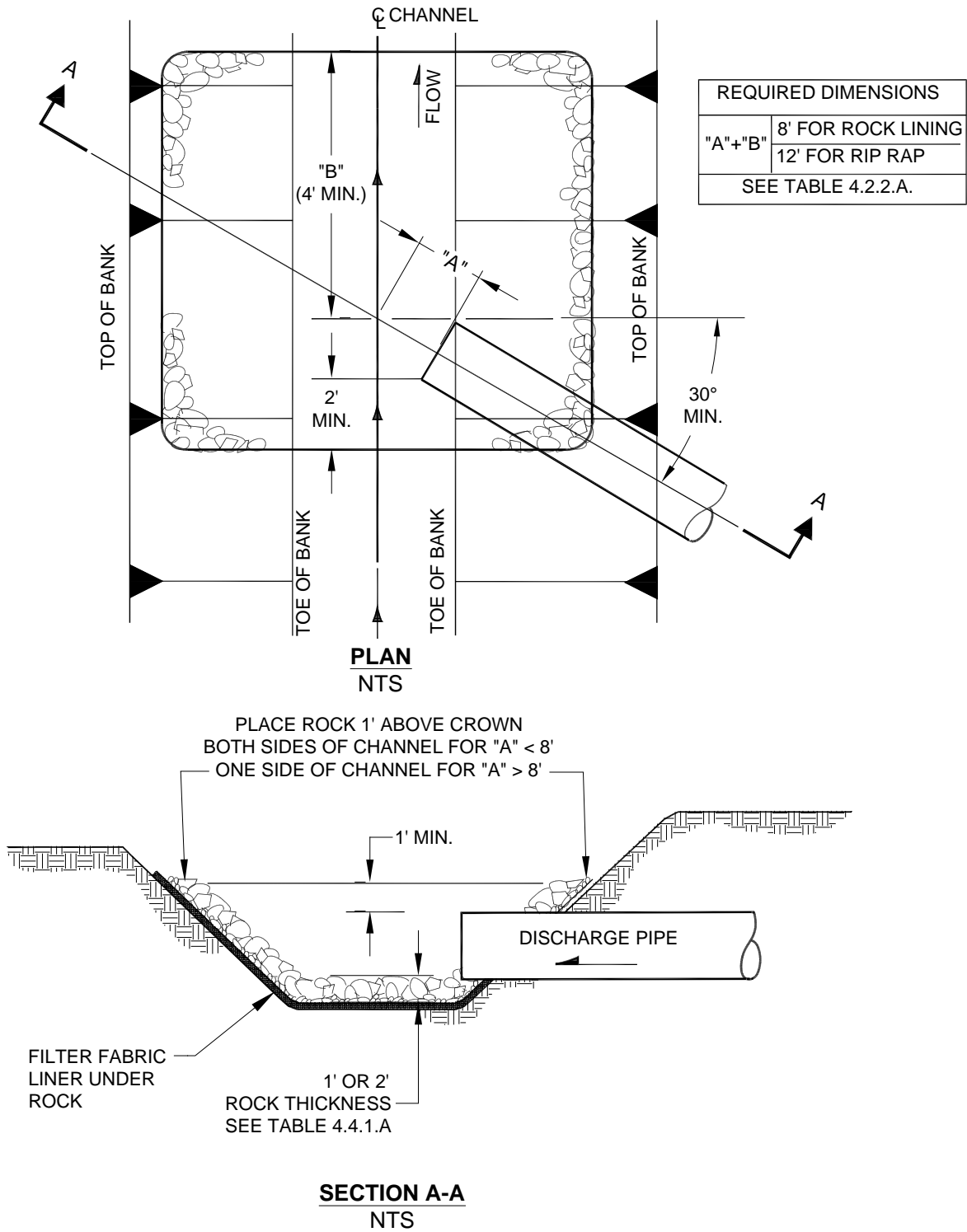
Maximum stone size: 24 inches (nominal diameter)

Median stone size: 16 inches

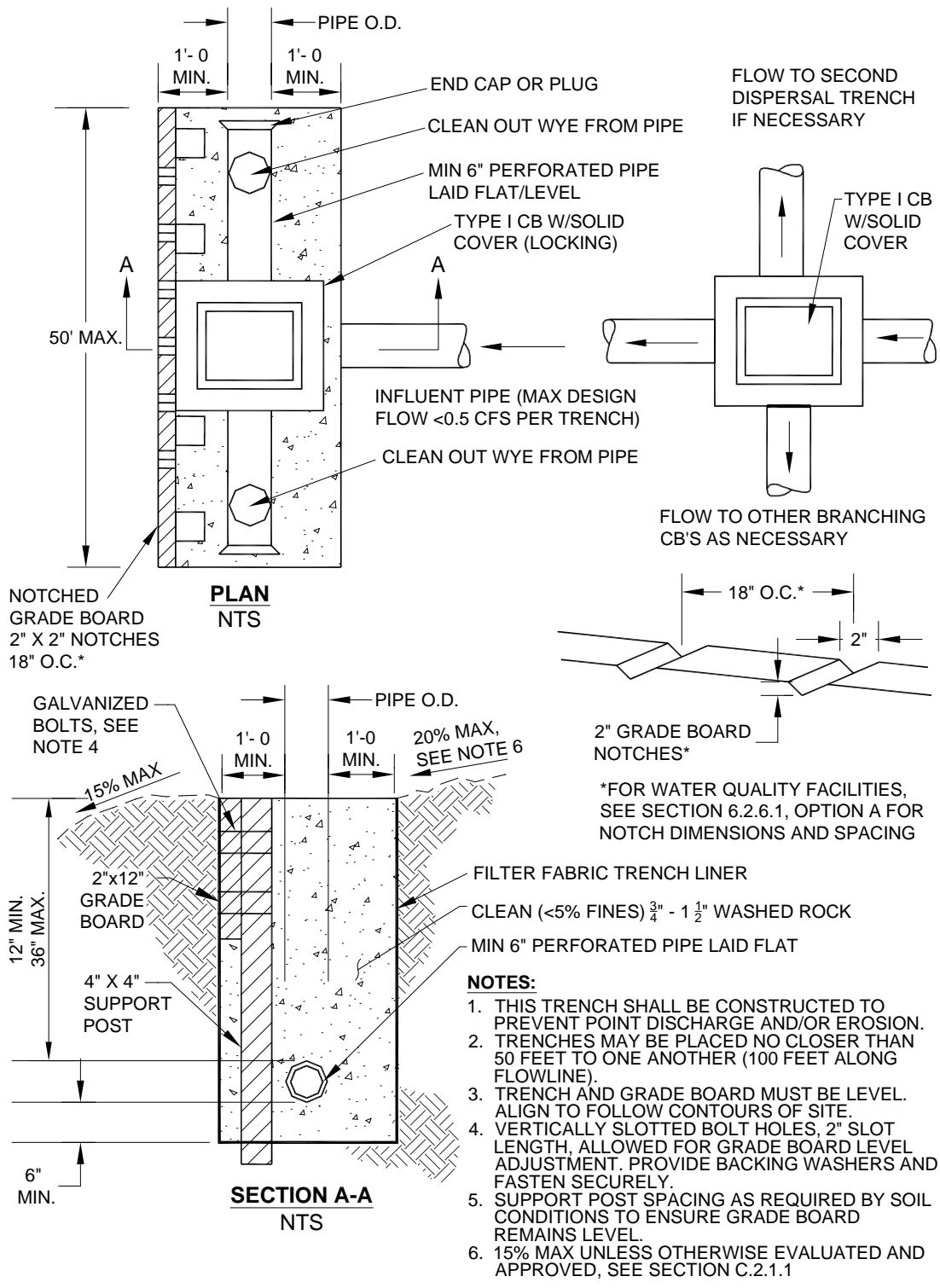
Minimum stone size: 4 inches

*Note: Riprap sizing governed by side slopes on outlet channel is assumed to be approximately 3:1.*

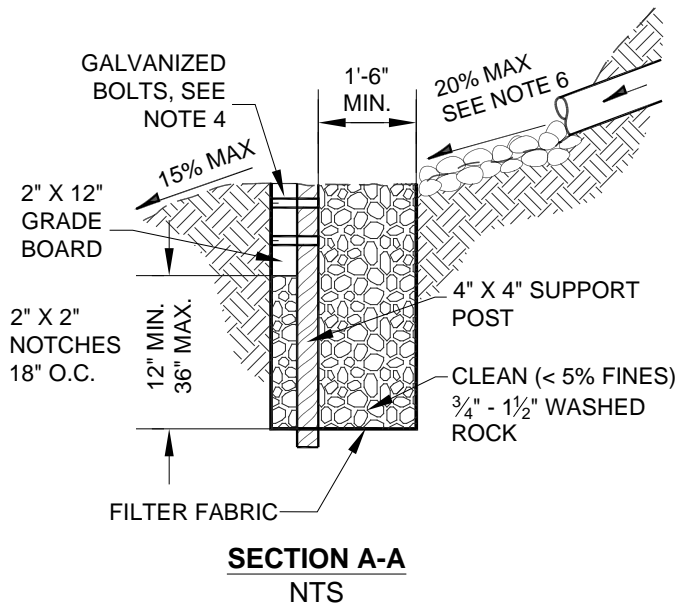
**FIGURE 4.2.2.A SCHEMATIC REPRESENTATION OF PIPE/CULVERT DISCHARGE PROTECTION**



**FIGURE 4.2.2.B SCHEMATIC REPRESENTATION OF A FLOW DISPERSAL TRENCH**

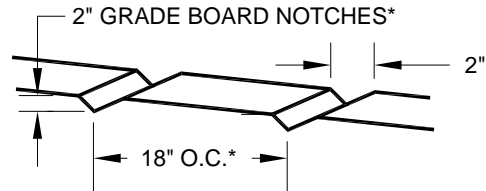


**FIGURE 4.2.2.C SCHEMATIC REPRESENTATION OF AN ALTERNATIVE FLOW DISPERSAL TRENCH**



\*FOR WATER QUALITY FACILITIES, SEE SECTION 6.2.6.1, OPTION A FOR NOTCH DIMENSIONS AND SPACING

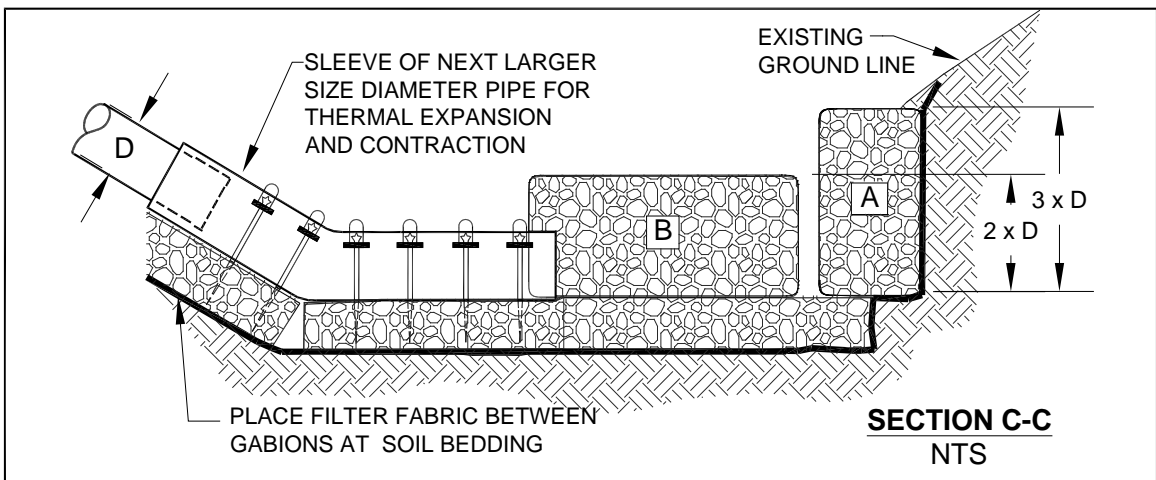
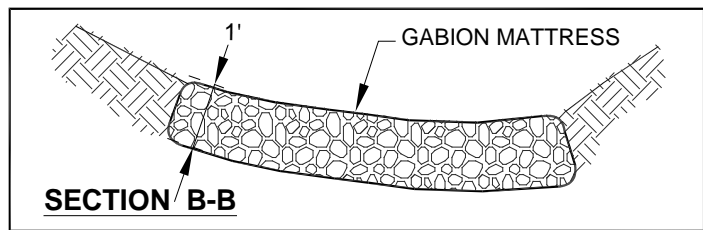
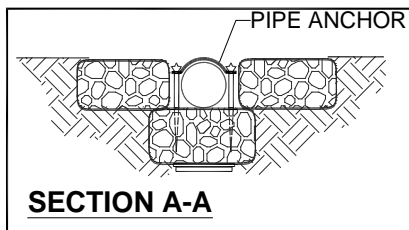
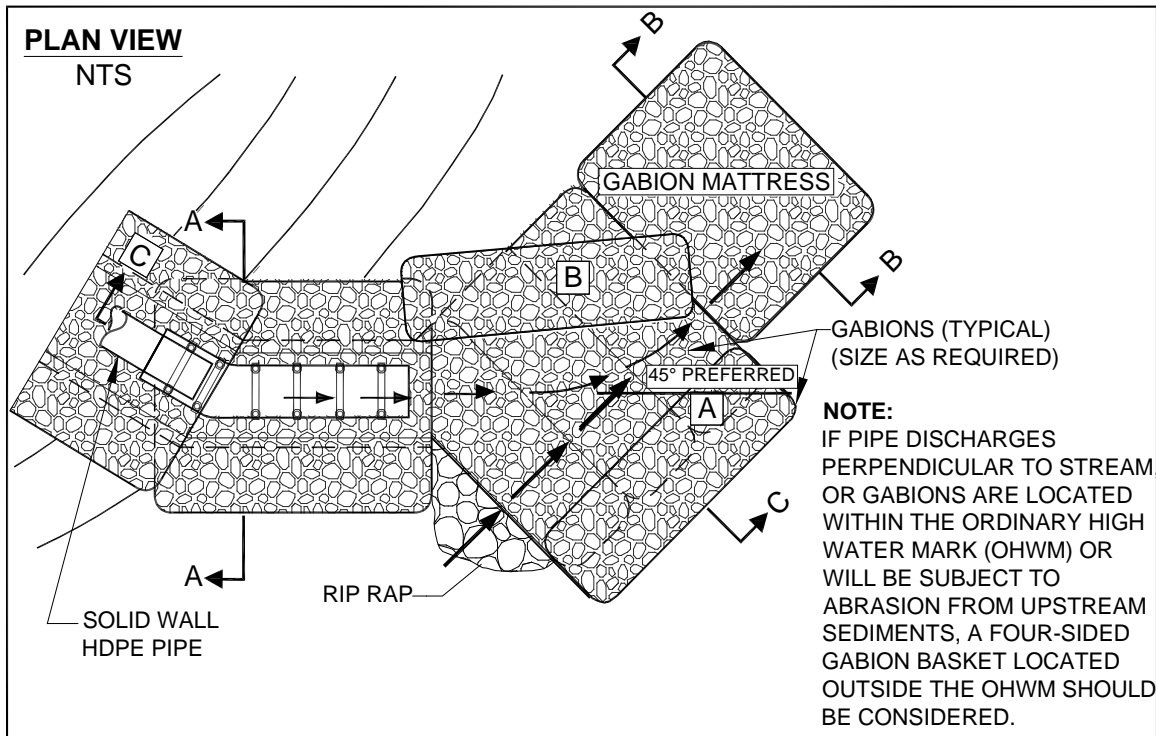
**NOTCH DETAIL**  
NTS



**NOTES:**

1. THIS TRENCH SHALL BE CONSTRUCTED TO PREVENT POINT DISCHARGE AND /OR EROSION.
2. TRENCHES MAY BE PLACED NO CLOSER THAN 50 FEET TO ONE ANOTHER (100 FEET ALONG FLOWLINE).
3. TRENCH AND GRADE BOARD MUST BE LEVEL. ALIGN TO FOLLOW CONTOURS OF SITE.
4. VERTICALLY SLOTTED BOLT HOLES, 2" SLOT LENGTH, ALLOWED FOR GRADE BOARD LEVEL ADJUSTMENT. PROVIDE BACKING WASHERS AND FASTEN SECURELY.
5. PROVIDE SUPPORT POST SPACING AS REQUIRED BY SOIL CONDITIONS TO ENSURE GRADE BOARD REMAINS LEVEL.
6. 15% MAX UNLESS OTHERWISE EVALUATED AND APPROVED, SEE SECTION C.2.1.1

**FIGURE 4.2.2.D SCHEMATIC REPRESENTATION OF A GABION MATTRESS ENERGY DISSIPATOR**



### 4.2.3 PUMP SYSTEMS

As allowed in Core Requirement #4, Section 1.2.4.3, pump systems may be used for conveyance of flows internal to a *site* if located on private property and privately maintained. Pump systems discharging to the Green River between River Mile 6 and State Route 18 (within the Green River Flood Control Zone District) shall comply with the standards of the adopted *Green River Pump Operation Procedures Plan*.

#### 4.2.3.1 DESIGN CRITERIA

Proposed pump systems must meet the following minimum requirements:

1. The pump system must be **privately owned and maintained**.
2. The pump system shall be used to convey water from one location or elevation to another within the *site*.
3. The pump system must have a dual pump (alternating) equipped with an external alarm system.
4. The pump system shall not be used to circumvent any other City drainage requirements, and construction and operation of the pump system shall not violate any other City requirements.
5. The gravity-flow components of the drainage system to and from the pump system must be designed so that pump failure does not result in flooding of a building or emergency access, or overflow to a location other than the *natural discharge point* for the *site*.
6. The pump system shall have either installed emergency backup power or the ability for portable backup power generator in the event of a loss of primary power. If portable backup emergency power is provided, the appliance must include a description of how the backup power will be brought to the site during an emergency within an emergency response plan (discussed below).
7. The applicant must provide an emergency response plan that details how backup power will be activated during an emergency and include method for delivering to the site and energizing portable backup power. The emergency response plan must also describe response for pump failures including repair and replacement of damaged pumps/motors and generators.

#### 4.2.3.2 METHODS OF ANALYSIS

Pump systems must be sized in accordance with the conveyance capacity requirements for pipe systems set forth in Section 1.2.4, “Core Requirement #4: Conveyance System.”



## 4.3 CULVERTS AND BRIDGES

This section presents the methods, criteria, and details for hydraulic analysis and design of culverts and bridges. The information presented is organized as follows:

- Section 4.3.1, “Culverts”
  - “Design Criteria,” Section 4.3.1.1
  - “Methods of Analysis,” Section 4.3.1.2
- Section 4.3.2, “Culverts Providing for Fish Passage/Migration”
  - “Design Criteria,” Section 4.3.2.1
  - “Methods of Analysis,” Section 4.3.2.2
- Section 4.3.3, “Bridges”
  - “Design Criteria,” Section 4.3.3.1
  - “Methods of Analysis,” Section 4.3.3.2.

### 4.3.1 CULVERTS

*Culverts* are relatively short segments of pipe of circular, elliptical, rectangular, or arch cross section. They are usually placed under road embankments or driveways to convey surface water flow safely under the embankment. They may be used to convey flow from constructed or natural channels including streams. The Critical Areas Code (RMC 4-3-050) contains definitions of streams (termed “aquatic areas”) and requirements for crossing of streams. In addition to those requirements and the design criteria described below, other agencies such as the Washington State Department of Fish and Wildlife (WDFW) may have additional requirements affecting the design of proposed culverts.

#### 4.3.1.1 DESIGN CRITERIA

##### General

In addition to the design criteria described below, culverts shall be designed to meet the hydraulic criteria as described in Section 1.2.4.1.

1. All **circular pipe culverts** shall conform to any applicable design criteria specified for pipe systems in Section 4.2.1.
2. All **other types** of culverts shall conform to manufacturer's specifications. See the *City of Renton Standard Details* for types of culverts allowed in City right-of-way.

##### Headwater

1. For **culverts 18-inch diameter or less**, the maximum allowable headwater elevation (measured from the inlet invert) shall not exceed 2 times the pipe diameter or arch-culvert-rise at *design flow* (i.e., the 10-year or 25-year peak flow rate as specified in Core Requirement #4, Section 1.2.4).
2. For **culverts larger than 18-inch diameter**, the maximum allowable design flow headwater elevation (measured from the inlet invert) shall not exceed 1.5 times the pipe diameter or arch-culvert-rise at design flow.
3. The **maximum headwater elevation** at design flow shall be below any road or parking lot subgrade.

### Inlets and Outlets

1. All inlets and outlets in or near roadway embankments must be flush with and conforming to the slope of the embankment.
2. For culverts 18-inch diameter and larger, the embankment around the culvert inlet shall be protected from erosion by **rock lining or riprap** as specified in Table 4.2.2.A, except the length shall extend at least 5 feet upstream of the culvert, and the height shall be at or above the design headwater elevation.
3. **Inlet structures**, such as concrete headwalls, may provide a more economical design by allowing the use of smaller entrance coefficients and, hence, smaller diameter culverts. When properly designed, they will also protect the embankment from erosion and eliminate the need for rock lining.
4. In order to maintain the stability of roadway embankments, concrete headwalls, wingwalls, or tapered inlets and outlets may be required if **right-of-way or easement constraints** prohibit the culvert from extending to the toe of the embankment slopes. All inlet structures or headwalls installed in or near roadway embankments must be flush with and conforming to the slope of the embankment.
5. **Debris barriers (trash racks)** are required on the inlets of all culverts that are over 60 feet in length and are 18 to 36 inches in diameter. Debris barriers for pipes smaller than 18 inches and larger than 36 inches in diameter may be required depending on conditions and safety concerns. Debris barriers shall have a bar spacing of 6 inches. This requirement also applies to the inlets of pipe systems. See Figure 4.2.1.D and Figure 4.2.1.E for schematic representations of debris barriers.
6. For culverts 18-inch diameter and larger, the receiving channel of the outlet shall be protected from erosion by **rock lining** specified in Table 4.2.2.A, except the height shall be one foot above maximum tailwater elevation or one foot above the crown, whichever is higher (See Figure 4.2.2.A ).

#### 4.3.1.2 METHODS OF ANALYSIS

This section presents the methods of analysis for designing new or evaluating existing **culverts** for compliance with the conveyance capacity requirements set forth in Section 1.2.4, “Core Requirement #4: Conveyance System.”

##### DESIGN FLOWS

Design flows for sizing or assessing the capacity of culverts shall be determined using the hydrologic analysis methods described in Chapter 3.

##### CONVEYANCE CAPACITY

The theoretical analysis of culvert capacity can be extremely complex because of the wide range of possible flow conditions that can occur due to various combinations of inlet and outlet submergence and flow regime within the culvert barrel. An exact analysis usually involves detailed backwater calculations, energy and momentum balance, and application of the results of hydraulic model studies.

However, simple procedures have been developed where the various flow conditions are classified and analyzed on the basis of a control section. A *control section* is a location where there is a unique relationship between the flow rate and the upstream water surface elevation. Many different flow conditions exist over time, but at any given time the flow is either governed by the culvert's inlet geometry (*inlet control*) or by a combination of inlet geometry, barrel characteristics, and tailwater elevation (*outlet control*). Figure 4.3.1.A illustrates typical conditions of inlet and outlet control. The procedures presented in this section provide for the analysis of both inlet and outlet control conditions to determine which governs.

### Inlet Control Analysis

Nomographs such as those provided in Figure 4.3.1.B and Figure 4.3.1.C may be used to determine the **inlet control headwater depth** at design flow for various types of culverts and inlet configurations. These nomographs were originally developed by the Bureau of Public Roads—now the Federal Highway Administration (FHWA)—based on their studies of culvert hydraulics. These and other nomographs can be found in the FHWA publication *Hydraulic Design of Highway Culverts, HDS No. #5 (Report No. FHWA-IP-85-15)* (September 1985), or the *WSDOT Hydraulic Manual*.

Also available in the FHWA publication, are the design equations used to develop the inlet control nomographs. These equations are presented below.

For **unsubmerged** inlet conditions (defined by  $Q/AD^{0.5} \leq 3.5$ );

$$\text{Form 1*}: HW/D = H_c/D + K(Q/AD^{0.5})^M - 0.5S^{**} \quad (4-3)$$

$$\text{Form 2*}: HW/D = K(Q/AD^{0.5})^M \quad (4-4)$$

For **submerged** inlet conditions (defined by  $Q/AD^{0.5} \geq 4.0$ );

$$HW/D = c(Q/AD^{0.5})^2 + Y - 0.5S^{**} \quad (4-5)$$

where

- $HW$  = headwater depth above inlet invert (ft)
- $D$  = interior height of culvert barrel (ft)
- $H_c$  = specific head (ft) at critical depth ( $d_c + V_c^2/2g$ )
- $Q$  = flow (cfs)
- $A$  = full cross-sectional area of culvert barrel (sf)
- $S$  = culvert barrel slope (ft/ft)
- $K, M, c, Y$  = constants from Table 4.3.1.A.

The specified head  $H_c$  is determined by the following equation:

$$H_c = d_c + V_c^2/2g \quad (4-6)$$

where

- $d_c$  = critical depth (ft); see Figure 4.3.1.F
- $V_c$  = flow velocity at critical depth (fps)
- $g$  = acceleration due to gravity (32.2 ft/sec<sup>2</sup>).

\* The appropriate equation form for various inlet types is specified in Table 4.3.1.A below.

\*\* For mitered inlets, use +0.7S instead of -0.5S.

*Note: Between the unsubmerged and submerged conditions, there is a transition zone ( $3.5 < Q/AD^{0.5} < 4.0$ ) for which there is only limited hydraulic study information. The transition zone is defined empirically by drawing a curve between and tangent to the curves defined by the unsubmerged and submerged equations. In most cases, the transition zone is short and the curve is easily constructed.*

TABLE 4.3.1.A CONSTANTS FOR INLET CONTROL EQUATIONS\*

Shape and Material	Inlet Edge Description	Equation Form	Unsubmerged		Submerged	
			<i>K</i>	<i>M</i>	<i>c</i>	<i>Y</i>
Circular Concrete	Square edge with headwall	1	0.0098	2.0	0.0398	0.67
	Groove end with headwall		0.0078	2.0	0.0292	0.74
	Groove end projecting		0.0045	2.0	0.0317	0.69
Circular CMP	Headwall	1	0.0078	2.0	0.0379	0.69
	Mitered to slope		0.0210	1.33	0.0463	0.75
	Projecting		0.0340	1.50	0.0553	0.54
Rectangular Box	30° to 75° wingwall flares	1	0.026	1.0	0.0385	0.81
	90° and 15° wingwall flares		0.061	0.75	0.0400	0.80
	0° wingwall flares		0.061	0.75	0.0423	0.82
CM Boxes	90° headwall	1	0.0083	2.0	0.0379	0.69
	Thick wall projecting		0.0145	1.75	0.0419	0.64
	Thin wall projecting		0.0340	1.5	0.0496	0.57
Arch CMP	90° headwall	1	0.0083	2.0	0.0496	0.57
	Mitered to slope		0.0300	1.0	0.0463	0.75
	Projecting		0.0340	1.5	0.0496	0.53
Bottomless Arch	90° headwall	1	0.0083	2.0	0.0379	0.69
CMP	Mitered to slope		0.0300	2.0	0.0463	0.75
	Thin wall projecting		0.0340	1.5	0.0496	0.57
Circular with	Smooth tapered inlet throat	2	0.534	0.333	0.0196	0.89
Tapered Inlet	Rough tapered inlet throat		0.519	0.64	0.0289	0.90

\* Source: FHWA HDS No. 5

### Outlet Control Analysis

Nomographs such as those provided in Figure 4.3.1.D and Figure 4.3.1.E may be used to determine the **outlet control headwater depth** at design flow for various types of culverts and inlets. Outlet control nomographs other than those provided can be found in *FHWA HDS No.5* or the *WSDOT Hydraulic Manual*.

The outlet control headwater depth may also be determined using the simple Backwater Analysis method presented in Section 4.2.1.2 for analyzing pipe system capacity. This procedure is summarized as follows for culverts:

$$HW = H + TW - LS \quad (4-7)$$

where  $H = H_f + H_e + H_{ex}$

$$H_f = \text{friction loss (ft)} = (V^2 n^2 L) / (2.22 R^{1.33})$$

Note: If  $(H_f + TW - LS) < D$ , adjust  $H_f$  such that  $(H_f + TW - LS) = D$ . This will keep the analysis simple and still yield reasonable results (erring on the conservative side).

$$H_e = \text{entrance head loss (ft)} = K_e (V^2 / 2g)$$

$$H_{ex} = \text{exit head loss (ft)} = V^2 / 2g$$

$$TW = \text{tailwater depth above invert of culvert outlet (ft)}$$

Note: If  $TW < (D + d_c) / 2$ , set  $TW = (D + d_c) / 2$ . This will keep the analysis simple and still yield reasonable results.

- $L$  = length of culvert (ft)
- $S$  = slope of culvert barrel (ft/ft)
- $D$  = interior height of culvert barrel (ft)
- $V$  = barrel velocity (fps)
- $n$  = Manning's roughness coefficient from Table 4.2.1.D
- $R$  = hydraulic radius (ft)
- $K_e$  = entrance loss coefficient (from Table 4.3.1.B)
- $g$  = acceleration due to gravity (32.2 ft/sec<sup>2</sup>)
- $d_c$  = critical depth (ft); see Figure 4.3.1.F

*Note: The above procedure should not be used to develop stage/discharge curves for level pool routing purposes because its results are not precise for flow conditions where the hydraulic grade line falls significantly below the culvert crown (i.e., less than full flow conditions).*

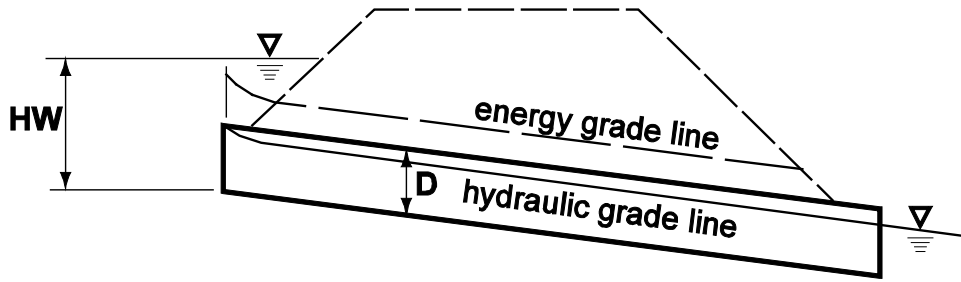
TABLE 4.3.1.B ENTRANCE LOSS COEFFICIENTS

Type of Structure and Design Entrance	Coefficient, $K_e$
<u>Pipe, Concrete, PVC, Spiral Rib, DI, and Lined CPE</u>	
Projecting from fill, socket (bell) end	0.2
Projecting from fill, square cut end	0.5
Headwall, or headwall and wingwalls	
Socket end of pipe (groove-end)	0.2
Square-edge	0.5
Rounded (radius = $1/12D$ )	0.2
Mitered to conform to fill slope	0.7
End section conforming to fill slope*	0.5
Beveled edges, 33.7° or 45° bevels	0.2
Side- or slope-tapered inlet	0.2
<u>Pipe, or Pipe-Arch, Corrugated Metal and Other Non-Concrete or D.I.</u>	
Projecting from fill (no headwall)	0.9
Headwall, or headwall and wingwalls (square-edge)	0.5
Mitered to conform to fill slope (paved or unpaved slope)	0.7
End section conforming to fill slope*	0.5
Beveled edges, 33.7° or 45° bevels	0.2
Side- or slope-tapered inlet	0.2
<u>Box, Reinforced Concrete</u>	
Headwall parallel to embankment (no wingwalls)	
Square-edged on 3 edges	0.5
Rounded on 3 edges to radius of $1/12$ barrel dimension or beveled edges on 3 sides	0.2
Wingwalls at 30° to 75° to barrel	
Square-edged at crown	0.4
Crown edge rounded to radius of $1/12$ barrel dimension or beveled top edge	0.2
Wingwall at 10° to 25° to barrel	
Square-edged at crown	0.5
Wingwalls parallel (extension of sides)	
Square-edged at crown	0.7
Side- or slope-tapered inlet	0.2
* Note: "End section conforming to fill slope" are the sections commonly available from manufacturers. From limited hydraulic tests they are equivalent in operation to a headwall in both <b>inlet and outlet control</b> . Some end sections incorporating a <b>closed taper</b> in their design have a superior hydraulic performance.	

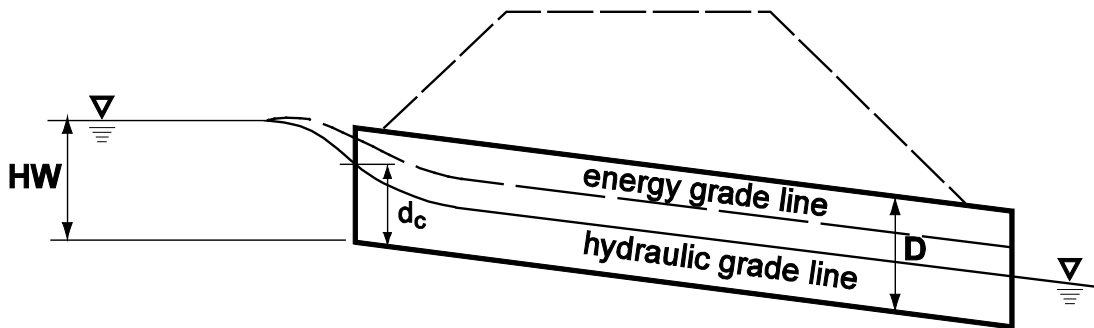
### Computer Applications

The "King County Backwater" (KCBW) computer program available with this manual contains two subroutines (**BWPIPE** and **BWCULV**) that may be used to analyze culvert capacity and develop stage/discharge curves for level pool routing purposes. A schematic description of the nomenclature used in these subroutines is provided in Figure 4.3.1.G. The KCBW program documentation available from King County Department of Natural Resources and Parks (DNRP) includes more detailed descriptions of program features.

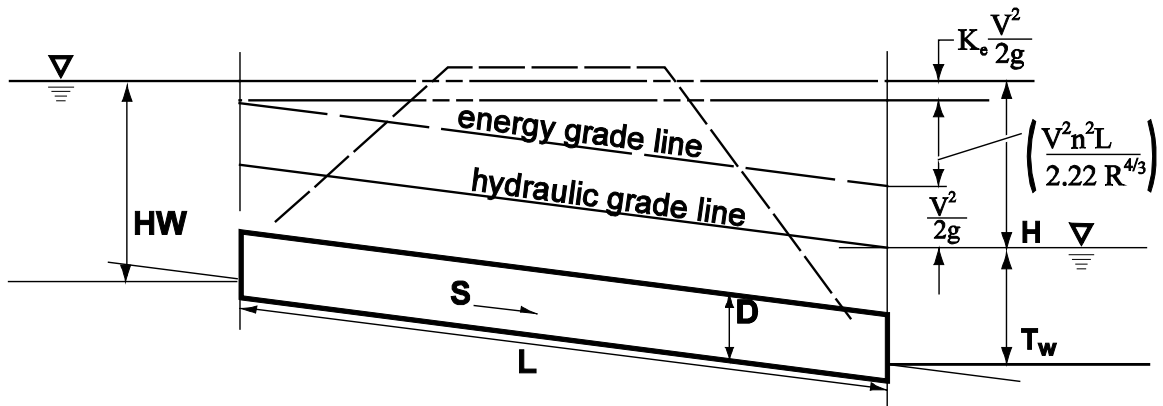
**FIGURE 4.3.1.A INLET/OUTLET CONTROL CONDITIONS**



**Inlet Control - Submerged Inlet**



**Inlet Control - Unsubmerged Inlet**

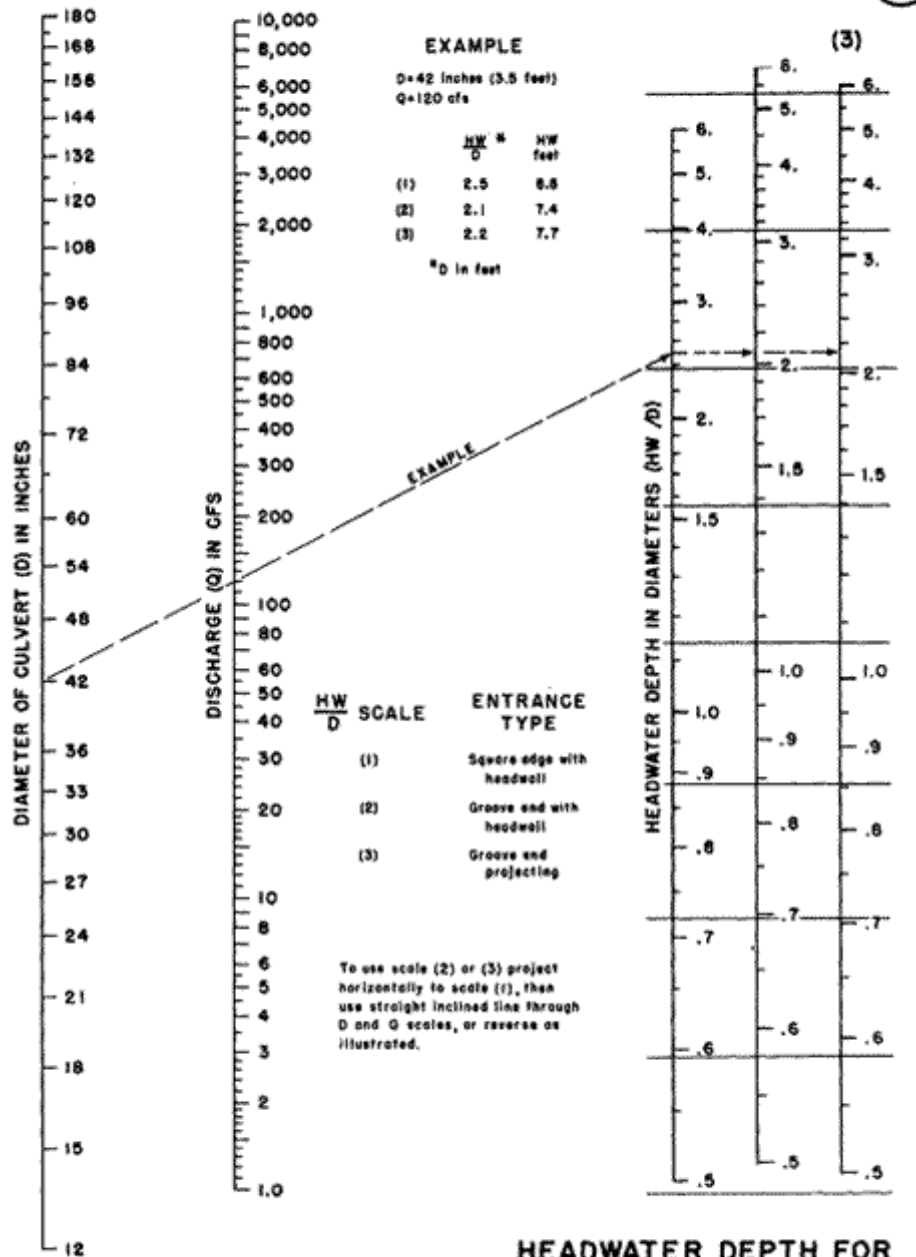


**Outlet Control - Submerged Inlet and Outlet**

**NOTE:** See FHWA no. 5 for other possible conditions

**FIGURE 4.3.1.B  
HEADWATER DEPTH FOR SMOOTH INTERIOR PIPE CULVERTS WITH INLET CONTROL**

**CHART 1B**



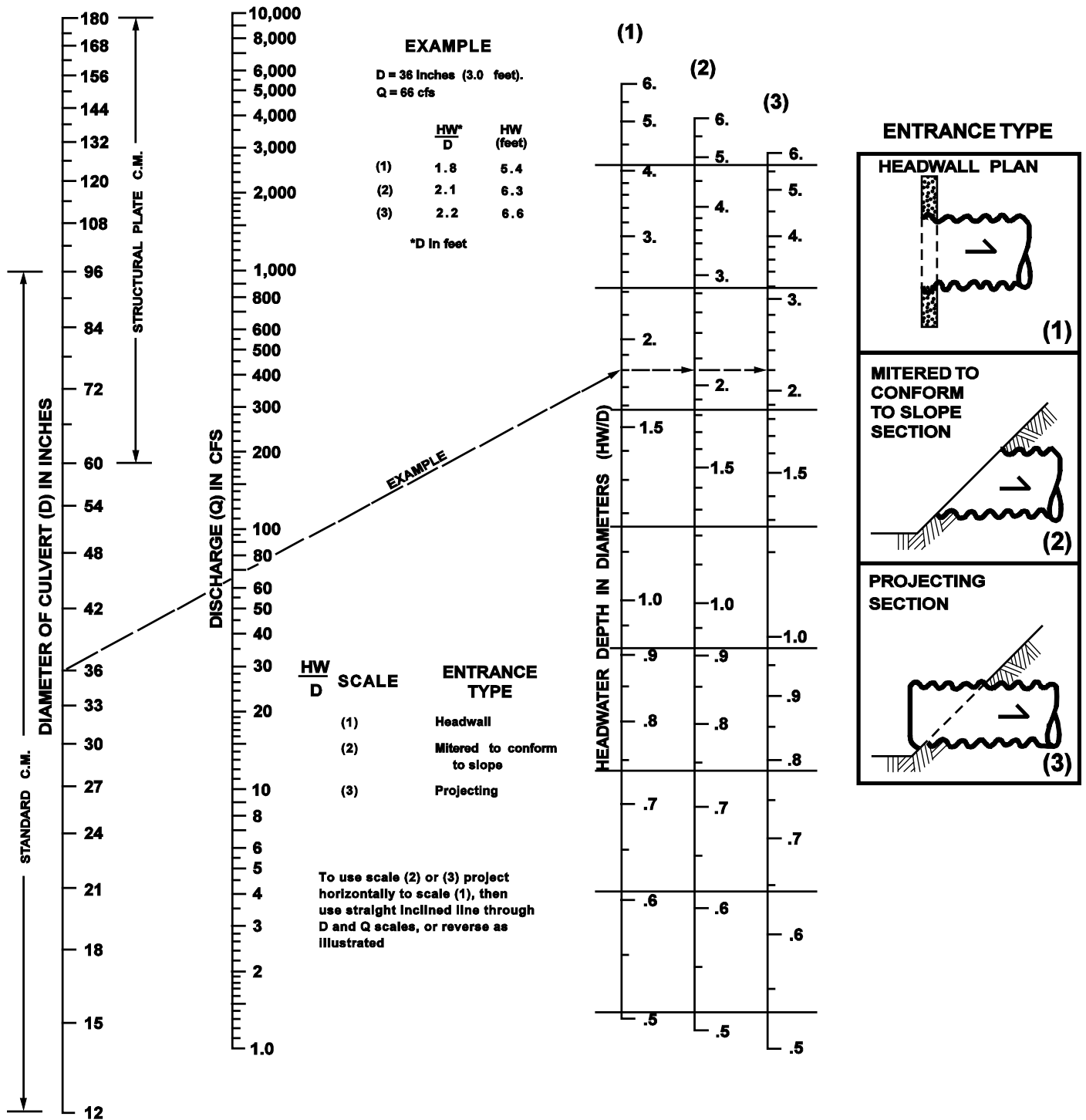
**HEADWATER DEPTH FOR  
CONCRETE PIPE CULVERTS  
WITH INLET CONTROL**

HEADWATER SCALES 2 & 3  
REVISED MAY 1964

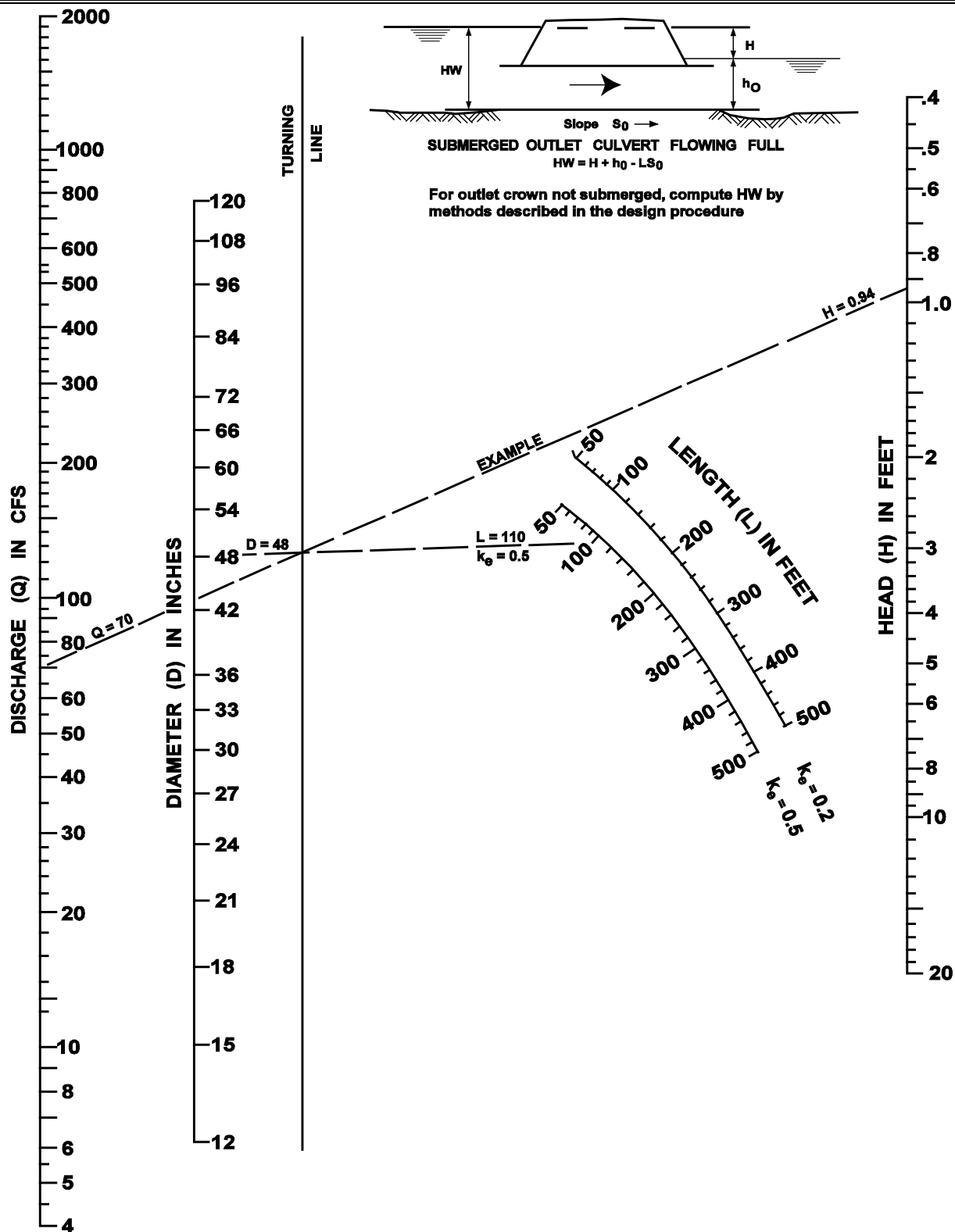
BUREAU OF PUBLIC ROADS JAN. 1963



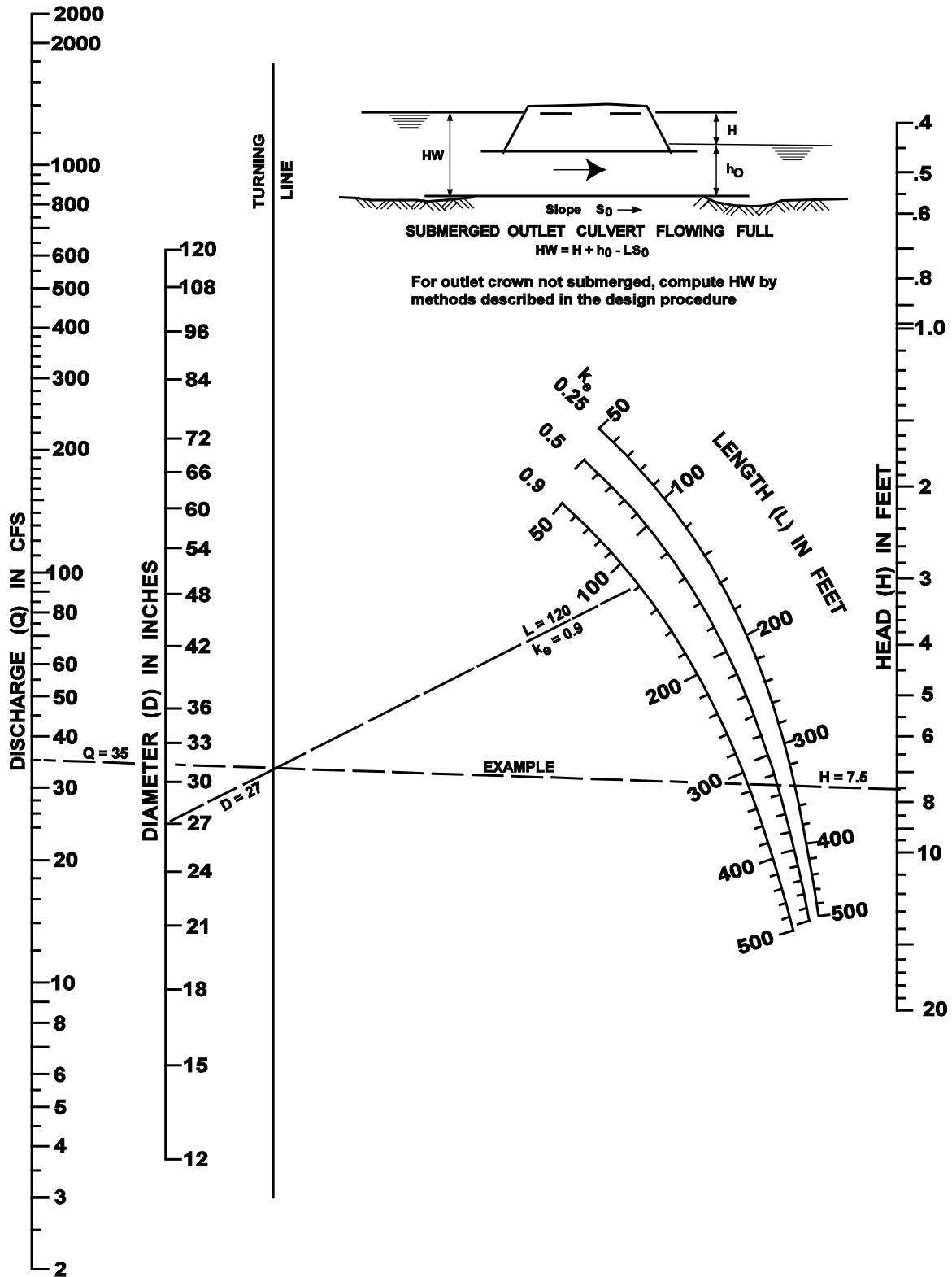
**FIGURE 4.3.1.C HEADWATER DEPTH FOR CORRUGATED PIPE CULVERTS WITH INLET CONTROL**



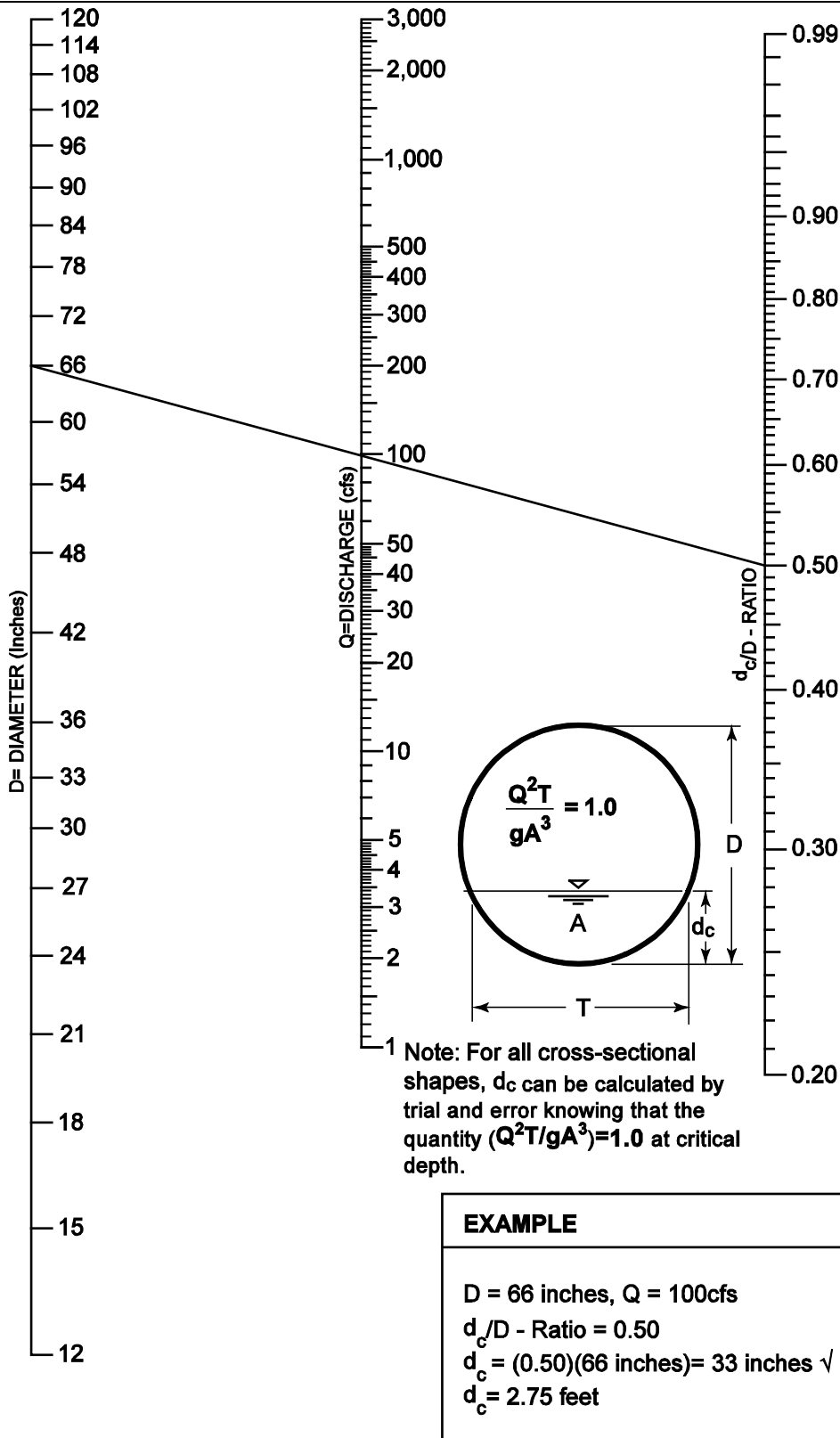
**FIGURE 4.3.1.D HEAD FOR CULVERTS (PIPE W/“n”= 0.012)  
FLOWING FULL WITH OUTLET CONTROL**

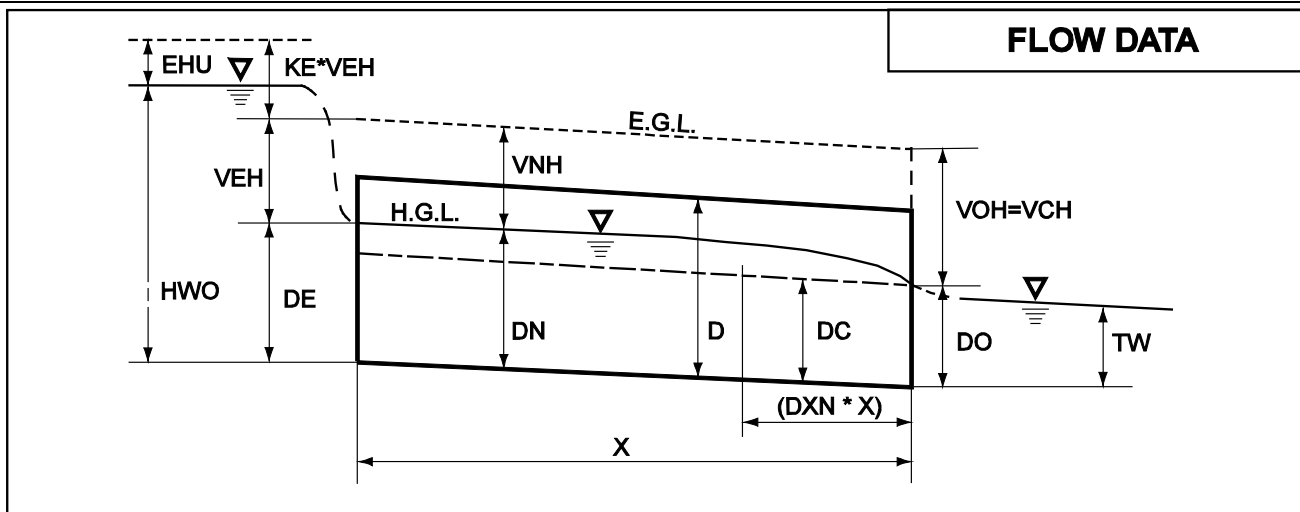


**FIGURE 4.3.1.E HEAD FOR CULVERTS (PIPE W/“n”= 0.024)  
FLOWING FULL WITH OUTLET CONTROL**



**FIGURE 4.3.1.F CRITICAL DEPTH OF FLOW FOR CIRCULAR CULVERTS**



**FIGURE 4.3.1.G COMPUTER SUBROUTINES BWPIPE AND BWCULV: VARIABLE DEFINITIONS**

FLOW DATA	
DC -	Critical Depth (ft)
DN -	Normal Depth (ft)
TW -	Tailwater Depth (ft)
DO -	Outlet Depth (ft)
DE -	Entrance Depth (ft)
HWO -	Headwater (ft) assuming Outlet Control
HWI -	Headwater (ft) assuming Inlet Control
DXN -	Distance (expressed as a fraction of the pipe length) from the outlet to where the flow profile intersects with normal depth. DXN will equal one under full-flow conditions and will equal zero when a hydraulic jump occurs at the outlet or when normal depth equals zero (normal depth will equal zero when the pipe grade is flat or reversed).
VBH -	Barrel Velocity Head (ft) based on the average velocity determined by $V=Q/A_{full}$
VUH -	Upstream Velocity Head (ft) based on an inputted velocity.
EHU -	Upstream Energy Head (ft) available after bend losses and junction losses have been subtracted from VUH.
VCH -	Critical Depth Velocity Head (ft)
VNH -	Normal Depth Velocity Head (ft)
VEH -	Entrance Depth Velocity Head (ft)
VOH -	Outlet Depth Velocity Head (ft)

COEFFICIENTS / INLET DATA	
KE -	Entrance Coefficient under Outlet Control
KB -	Bend Loss Coefficient
KJ -	Junction Loss Coefficient
K -	Inlet Control Equation parameter (See Table 4.3.1.A)
M -	Inlet Control Equation parameter (See Table 4.3.1.A)
C -	Inlet Control Equation parameter (See Table 4.3.1.A)
Y -	Inlet Control Equation parameter (See Table 4.3.1.A)
Q-Ratio -	Ratio of tributary flow to main upstream flow ( $Q_3/Q_1$ )

## 4.3.2 CULVERTS PROVIDING FOR FISH PASSAGE/MIGRATION

In fish-bearing waters, water-crossing structures must usually provide for fish passage as required for Washington State Department of Fish and Wildlife (WDFW) Hydraulic Project Approval or as a condition of permitting under the critical areas code (RMC 4-3-050). Culverts designed for fish passage must also meet the requirements of Section 1.2.4, “Core Requirement #4: Conveyance System.”

Fish passage can generally be ensured by providing structures that do not confine the streambed—that is, a structure wide enough so that the stream can maintain its natural channel within the culvert. Bridges, bottomless arch culverts, arch culverts, and rectangular box culverts (“utility vaults”) can often be used to accommodate stream channels.

Where it is unfeasible to construct these types of structures, round pipe culverts may be used if high flow velocities are minimized and low flow depths are maximized. The Hydraulic Code Rules (Title 220 WAC) detail requirements for WDFW Hydraulic Project Approval. See the WDFW manual “Design of Road Culverts for Fish Passage” for detailed design methodologies.

### Materials

Galvanized metals leach zinc into the environment, especially in standing water situations. High zinc concentrations, sometimes in the range that can be toxic to aquatic life, have been observed in the region. Therefore, use of galvanized materials in stormwater facilities is not allowed, and their use in conveyance systems is discouraged. Where other metals, such as aluminum or stainless steel, or plastics are available, they should be used.

### 4.3.2.1 DESIGN CRITERIA

Table 4.3.2.A lists allowable velocities, flow depths, and hydraulic drops for culverts in fish-bearing streams. Velocities are for the **high flow design discharge**; water depths are for the **low flow design discharge**. The *hydraulic drop* (a vertical drop in the water surface profile at any point within culvert influence) is for all flows between the high and low flow design discharges.

TABLE 4.3.2.A FISH PASSAGE DESIGN CRITERIA			
	Adult Trout	Adult Pink, Chum Salmon	Adult Chinook, Coho, Sockeye, Steelhead
1. Max Velocity (fps)			
Culvert Length:			
10–60 ft	4.0	5.0	6.0
60–100 ft	4.0	4.0	5.0
100–200 ft	3.0	3.0	4.0
2. Min Flow Depth (ft)	0.8	0.8	1.0
3. Max Hydraulic Drop (ft)	0.8	0.8	1.0

Source: WDFW manual “Design of Road Culverts for Fish Passage” (2003), Chapter 5, p. 21, Table 5-1.

## 4.3.2.2 METHODS OF ANALYSIS

### High Flow Design Discharge

For **gaged streams**, the high flow design discharge shall be estimated by the 10% exceedance flow for October through April inclusive, proportioned by tributary area to the culvert using the technique described in Section 4.4.2.4 under “Flood Flows from Stream Gage Data.”

For **ungaged streams**, the high flow design discharge shall be estimated by one of the following:

- The 10% exceedance flow for October through April inclusive for the nearest hydrologically similar gaged stream, proportioned by tributary area
- The 5% exceedance flow determined through duration analysis with the approved model
- The 10% exceedance flow for October through April inclusive determined with the HSPF model or the approved model using the full historical record.

### Low Flow Design Discharge

For **gaged streams**, the low flow design discharge shall be estimated by the 95% exceedance flow for October through April inclusive, proportioned by tributary area.

For **ungaged streams**, the low flow design discharge shall be estimated by one of the following:

- The 95% exceedance flow for October through April inclusive for the nearest hydrologically similar gaged stream, proportioned by tributary area
- The 95% exceedance flow for October through April inclusive, determined by the HSPF model or the approved model using the full historical record
- The following equation, using input data from the approved model (Note: Equation 4-9 is not used):

**For the Sea-Tac rainfall region:**

$$Q_l = f_r (0.46A_{tf} + 0.56A_{tp} + 0.46A_{tg} + 0.72A_{of} + 0.96A_{op} + 1.10A_{og}) / 1000 \quad (4-7)$$

where

- $Q_l$  = low flow design discharge (cfs)
- $f_r$  = regional rainfall scale factor from the WWHM2012 Site Information map screen
- $A_{tf}$  = area of till forest (acres)
- $A_{tp}$  = area of till pasture (acres)
- $A_{tg}$  = area of till grass (acres)
- $A_{of}$  = area of outwash forest (acres)
- $A_{op}$  = area of outwash pasture (acres)
- $A_{og}$  = area of outwash grass (acres)

*Note: Minimum depths may also be met by providing an “installed no-flow depth,” per Title 220 WAC, where the static water surface level meets minimum flow depth criteria.*

### 4.3.3 BRIDGES

*Bridges* over waterways are considered conveyance structures and are generally constructed to allow the continuation of a thoroughfare (such as a road). They generally consist of foundation abutments and/or piers that support a deck spanning the waterway. In addition to the **design criteria for conveyance** described below, bridge designs must meet the City of Renton Transportation requirements, AASHTO Standard Specifications for Highway Bridges or AASHTO LRFD Bridge Design Specifications and the most current WSDOT/APWA Standard Specifications as well as the requirements of other agencies such as the Washington State Department of Fish and Wildlife (WDFW).

#### 4.3.3.1 DESIGN CRITERIA

Bridges shall be designed to convey flows and pass sediments and debris for runoff events up to and including the 100-year event in a manner that does not increase the potential for flooding or erosion to properties and structures near or adjacent to the bridge, or cause bridge failure. Inadequate conveyance capacity may cause flooding to increase by restricting flow through the hydraulic openings, by placing approach fill or abutments in floodplains, by causing changes in channel gradient and alignment or by trapping debris. A common mode of bridge failure involving debris is the resultant scour and undermining of piers or abutments where debris accumulates.

Openings between the structural elements of the bridge and the bottom of the channel or floodplain ground surface must be large enough to allow for passage of water, sediment, and debris. The horizontal openings are defined by the bridge span, the horizontal distances between piers or abutments.

Bridge clearance is the vertical distance between the 100-year water surface and the low chord of the bridge. For stream crossing locations where the 100-year peak flow exceeds 100 cfs, the height of a bridge clearance above rivers and streams shall be a minimum three feet above the 100-year water surface elevation unless otherwise required by the City based on evaluation of the design criteria in this section. For stream crossing locations where the 100-year peak flow is 100 cfs or less, there is no specific clearance requirement.

#### Hydraulic Capacity

Bridge and approach roads must **pass the 100-year flow** without creating hydraulic restrictions that cause or increase flooding. Design of bridge and approach roads shall demonstrate compliance with the compensatory storage provisions of RMC 4-3-050. Of necessity, bridge and approach roads are sometimes constructed within 100-year floodplains. In some cases, approach roads will be inundated and the bridge will not be accessible during extreme events. In other cases, both the bridge and approach roads will be inundated by the 100-year flood. In these cases, the bridge shall be designed to withstand the expected condition while inundated. The design shall employ means to facilitate flow over the bridge and to minimize the potential for erosion of the roadway fill in the approach roads.

#### Bed Aggradation

Where bed aggradation is probable, the analysis of hydraulic capacity shall assume the bed raised by an amount expected during a suitable **design life** (40 years minimum) of the bridge. Aggradation estimates shall be based on a sediment transport analysis that, where possible, is calibrated to direct cross-section comparisons over time. This analysis shall extend upstream and downstream a sufficient distance to adequately characterize bed aggradation that may affect the hydraulic capacity at the bridge location.

Bed aggradation is frequently associated with channel migration. The location and design of bridges and approach roads shall consider **channel migration hazards**.



### Debris Passage

Since debris can pass through an opening either partly or totally submerged, the total vertical clearance from the bottom of the structure to the streambed needs to be considered. Required clearance for debris shall include an assessment of the maximum material size available, the ability of the stream to transport it, and the proximity of debris sources. The **following factors also must be considered**: history of debris problems in the river reaches upstream and downstream of the proposed bridge location, history of debris accumulations on an existing bridge structure or nearby structures upstream and downstream from the proposed bridge location, mapped channel migration hazard and channel migration history of the reach of stream, and skew of the bridge alignment such that piers in floodplain may be in the path of the debris. For a detailed qualitative analysis of debris accumulation on bridges, see the *U.S. Department of Transportation, Federal Highway Administration Publication FHWA-RD-97-028, Potential Drift Accumulation at Bridges*, by Timothy H. Diehl (1997).

### Safety Margin

When designing bridges to convey flows and pass sediments and debris, a safety margin **shall be considered** by the design engineer to account for uncertainties in flow rates, debris hazards, water surface elevations, aggradation, and channel migration over time. The safety margin should be increased when the surrounding community is especially susceptible to flood damages that could be exacerbated by a debris jam at the bridge. Section 5 of the Technical Information Report submitted with the project's engineering plans shall include a discussion of the need for a safety margin and the rationale for its selection.

### Bridges and Levees

Where bridge structures and approach roads intersect flood containment levees, the bridge structure and approach roads shall be designed and constructed to preserve existing levels of flood containment provided by the existing levee.

Where the existing levee currently provides containment of the 100-year flood, the bridge structure and approach roads shall be designed and constructed to meet FEMA levee and structural performance standards, including sufficient freeboard on the levee in the bridge vicinity, as provided for in 44 CFR (also see Section 1.3.3, Special Requirement #3, Flood Protection Facilities).

### Bridge Piers and Abutments

Bridge pier and abutment locations are governed by provisions of the City's critical areas code, RMC 4-3-050.

## 4.3.3.2 METHODS OF ANALYSIS

The following methods are acceptable for hydraulic analysis of **bridges** and approach roads:

1. The **Direct Step backwater method** described in Section 4.4.1.2 shall be used to analyze the hydraulic impacts of bridge piers, abutments, and approach roads to the water surface profile.
2. The Army Corps of Engineers Hydraulic Engineering Center publishes **technical papers on methods** used to address the hydraulic effects of bridge piers, abutments, and approach roads. The book *Open Channel Hydraulics* by V.T. Chow also contains techniques for analyzing hydraulic effects.

*(This page intentionally left blank.)*

## 4.4 OPEN CHANNELS, FLOODPLAINS, AND FLOODWAYS

This section presents the methods, criteria, and details for hydraulic analysis and design of open channels, and the determination and analysis of floodplains and floodways. The information presented is organized as follows:

- Section 4.4.1, “Open Channels”
  - “Design Criteria,” Section 4.4.1.1
  - “Methods of Analysis,” Section 4.4.1.2
- Section 4.4.2, “Floodplain/Floodway Analysis”
  - “No Floodplain Study Required,” Section 4.4.2.1
  - “Approximate Floodplain Study,” Section 4.4.2.2
  - “Minor Floodplain Study,” Section 4.4.2.3
  - “Major Floodplain/Floodway Study,” Section 4.4.2.4.

### 4.4.1 OPEN CHANNELS

Open channels may be classified as either natural or constructed. Natural channels are generally referred to as rivers, streams, creeks, or swales, while constructed channels are most often called ditches, or simply channels. The Critical Areas, Shorelines, and Clearing and Grading Codes as well as Chapter 1 of this manual should be reviewed for requirements related to streams.

#### Natural Channels

*Natural channels* are defined as those that have occurred naturally due to the flow of surface waters, or those that, although originally constructed by human activity, have taken on the appearance of a natural channel including a stable route and biological community. They may vary hydraulically along each channel reach and should be left in their natural condition, wherever feasible or required, in order to maintain natural hydrologic functions and wildlife habitat benefits from established vegetation.

#### Constructed Channels

*Constructed channels* are those constructed or maintained by human activity and include bank stabilization of natural channels. Constructed channels shall be either vegetation-lined, rock-lined, or lined with appropriately bioengineered vegetation<sup>9</sup>.

- Vegetation-lined channels are the most desirable of the constructed channels when properly designed and constructed. The vegetation stabilizes the slopes of the channel, controls erosion of the channel surface, and removes pollutants. The channel storage, low velocities, water quality benefits, and greenbelt multiple-use benefits create significant advantages over other constructed channels. The presence of vegetation in channels creates turbulence that results in loss of energy and increased flow retardation; therefore, the design engineer must consider sediment deposition and scour, as well as flow capacity, when designing the channel.
- Rock-lined channels are necessary where a vegetative lining will not provide adequate protection from erosive velocities. They may be constructed with riprap, gabions, or slope mattress linings. The rock lining increases the turbulence, resulting in a loss of energy and increased flow retardation. Rock

<sup>9</sup> *Bioengineered vegetation lining* as referenced here applies to channel stabilization methods. See Appendix C, *Simplified Drainage Requirements* for bioswale design criteria. Note, for bioswales and other infiltrative BMPs that may be placed in-line with conveyance, any infiltration option in the modeling shall be turned off when evaluating conveyance capacity.

lining also permits a higher design velocity and therefore a steeper design slope than in grass-lined channels. Rock linings are also used for erosion control at culvert and storm drain outlets, sharp channel bends, channel confluences, and locally steepened channel sections.

- Bioengineered vegetation lining is a desirable alternative to the conventional methods of rock armoring. Soil bioengineering is a highly specialized science that uses living plants and plant parts to stabilize eroded or damaged land. Properly bioengineered systems are capable of providing a measure of immediate soil protection and mechanical reinforcement. As the plants grow they produce a vegetative protective cover and a root reinforcing matrix in the soil mantle. This root reinforcement serves several purposes:
  - a) The developed anchor roots provide both shear and tensile strength to the soil, thereby providing protection from the frictional shear and tensile velocity components to the soil mantle during the time when flows are receding and pore pressure is high in the saturated bank.
  - b) The root mat provides a living filter in the soil mantle that allows for the natural release of water after the high flows have receded.
  - c) The combined root system exhibits active friction transfer along the length of the living roots. This consolidates soil particles in the bank and serves to protect the soil structure from collapsing and the stabilization measures from failing.

The vegetative cover of bioengineered systems provides immediate protection during high flows by laying flat against the bank and covering the soil like a blanket. It also reduces pore pressure in saturated banks through transpiration by acting as a natural “pump” to “pull” the water out of the banks after flows have receded.

The King County publication *Guidelines for Bank Stabilization Projects* primarily focuses on projects on larger rivers and streams, but the concepts it contains may be used in conjunction with other natural resource information for stabilization projects on smaller systems. The *WDFW Integrated Streambank Protection Guidelines* is another useful reference.

#### 4.4.1.1 DESIGN CRITERIA

##### General

1. **Open channels** shall be designed to provide required conveyance capacity and bank stability while allowing for aesthetics, habitat preservation, and enhancement. Open channels shall be consistent with the *WDFW Integrated Streambank Protection Guidelines*.
2. An **access easement for maintenance** is required along all constructed channels located on private property. Required easement widths and building setback lines vary with channel top width as shown in Table 4.1.
3. **Channel cross-section geometry** shall be trapezoidal, triangular, parabolic, or segmental as shown in Figure 4.4.1.C through Figure 4.4.1.E. **Side slopes** shall be no steeper than 3:1 for vegetation-lined channels and 2:1 for rock-lined channels. *Note: Roadside ditches shall comply with the City of Renton Standard Details.*
4. To reduce the likelihood that pollutants will be discharged to groundwater when untreated runoff is conveyed in ditches or channels constructed in soils with high infiltration rates, a **low permeability liner** or a **treatment liner** shall be provided for any reach of new ditch or channel proposed by a project in which the untreated runoff from 5,000 square feet or more of **pollution-generating impervious surface** comes into direct contact with an outwash soil, except where it can be demonstrated that the soil meets the soil suitability criteria listed in Section 5.2.1. The low permeability liner or treatment liner shall be consistent with the specifications for such liners in Section 6.2.4.

5. **Vegetation-lined channels** shall have **bottom slope gradients** of 6% or less and a **maximum velocity** at design flow of 5 fps (see Table 4.4.1.A).
6. **Rock-lined channels or bank stabilization of natural channels** shall be used when design flow velocities exceed 5 feet per second. Rock stabilization shall be in accordance with Table 4.4.1.A or stabilized with bioengineering methods as described above in “Constructed Channels.”

TABLE 4.4.1.A CHANNEL PROTECTION				
Velocity at Design Flow (fps)		Required Protection		
Greater than	Less than or Equal to	Type of Protection	Thickness	Minimum Height Above Design Water Surface
0	5	Grass lining or Bioengineered lining	N/A	N/A
5	8	Rock lining <sup>(1)</sup> or Bioengineered lining	1 foot	1 foot
8	12	Riprap <sup>(2)</sup>	2 feet	2 feet
12	20	Slope mattress gabion, etc.	Varies	2 feet

(1) Rock Lining shall be reasonably well graded as follows:  
 Maximum stone size: 12 inches  
 Median stone size: 8 inches  
 Minimum stone size: 2 inches

(2) Riprap shall be reasonably well graded as follows:  
 Maximum stone size: 24 inches  
 Median stone size: 16 inches  
 Minimum stone size: 4 inches

*Note: Riprap sizing is governed by side slopes on channel, assumed to be approximately 3:1.*

### Riprap Design<sup>10</sup>

When riprap is set, stones are placed on the channel sides and bottom to protect the underlying material from being eroded. Proper riprap design requires the determination of the median size of stone, the thickness of the riprap layer, the gradation of stone sizes, and the selection of angular stones that will interlock when placed. Research by the U.S. Army Corps of Engineers has provided criteria for selecting the **median stone weight**,  $W_{50}$  (Figure 4.4.1.A). If the riprap is to be used in a highly turbulent zone (such as at a culvert outfall, downstream of a stilling basin, at sharp changes in channel geometry, etc.), the median stone  $W_{50}$  should be increased from 200% to 600% depending on the severity of the locally high turbulence. The thickness of the riprap layer should generally be twice the **median stone diameter** ( $D_{50}$ ) or at least that of the maximum stone. The riprap should have a reasonably well graded assortment of stone sizes within the following gradation:

$$1.25 \leq D_{max}/D_{50} \leq 1.50$$

$$D_{15}/D_{50} = 0.50$$

$$D_{min}/D_{50} = 0.25$$

Detailed design methodology may be found in the Corps publication EM 1110-02-1601, Engineering and Design – Hydraulic Design of Flood Control Channels. For a more detailed analysis and design procedure for riprap requiring water surface profiles and estimates of tractive force, refer to the paper by Maynard et al. in *Journal of Hydraulic Engineering (A.S.C.E.)*, July 1989.

### Riprap Filter Design

Riprap should be underlain by a sand and gravel filter (or filter fabric) to keep the fine materials in the underlying channel bed from being washed through the voids in the riprap. Likewise, the filter material must be selected so that it is not washed through the voids in the riprap. Adequate filters can usually be provided by a reasonably well graded sand and gravel material where:

$$D_{15} < 5d_{85}$$

The variable  $d_{85}$  refers to the sieve opening through which 85% of the material being protected will pass, and  $D_{15}$  has the same interpretation for the filter material. A filter material with a  $D_{50}$  of 0.5 mm will protect any finer material including clay. Where very large riprap is used, it is sometimes necessary to use two filter layers between the material being protected and the riprap.

#### Example:

*What embedded riprap design should be used to protect a streambank at a level culvert outfall where the outfall velocities in the vicinity of the downstream toe are expected to be about 8 fps?*

From Figure 4.4.1.A,  $W_{50} = 6.5$  lbs, but since the downstream area below the outfall will be subjected to severe turbulence, increase  $W_{50}$  by 400% so that:

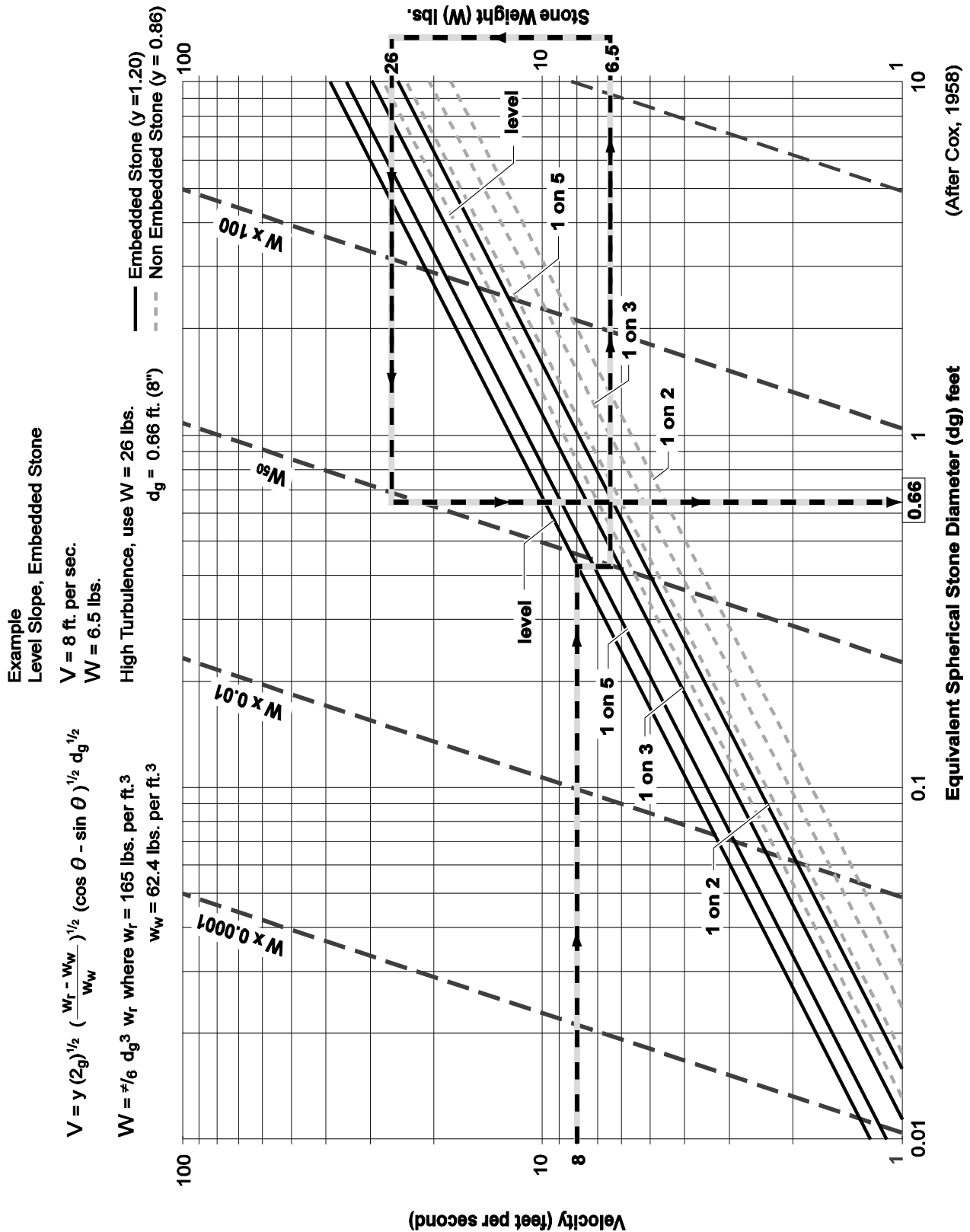
$$W_{50} = 26 \text{ lbs, } D_{50} = 8.0 \text{ inches}$$

The gradation of the riprap is shown in Figure 4.4.1.B, and the minimum thickness would be 1 foot (from Table 4.4.1.A); however, 16 inches to 24 inches of riprap thickness would provide some additional insurance that the riprap will function properly in this highly turbulent area.

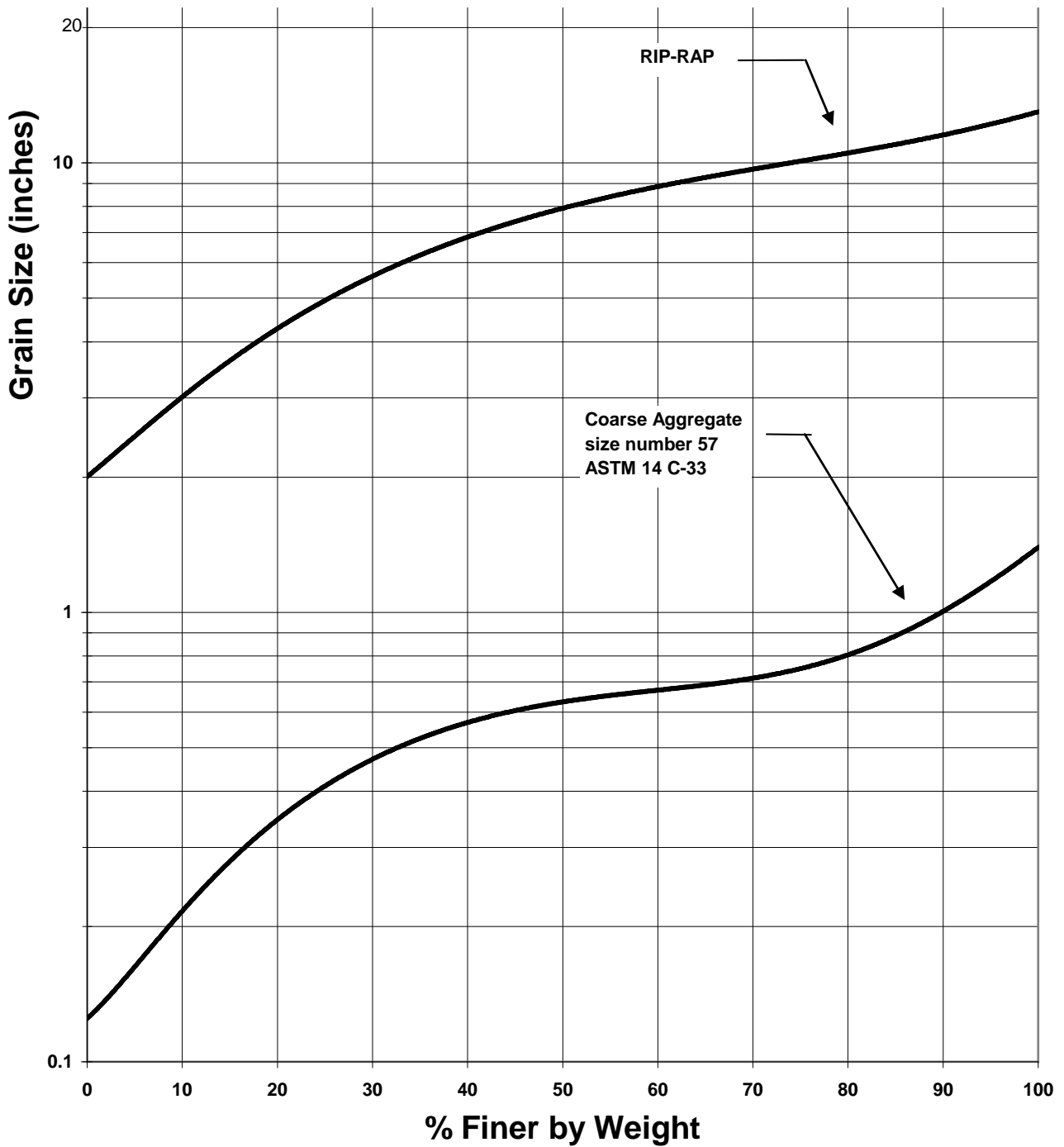
Figure 4.4.1.B shows that the gradation curve for ASTM C33, size number 57 coarse aggregate (used in concrete mixes), would meet the filter criteria. Applying the filter criteria to the coarse aggregate demonstrates that any underlying material whose gradation was coarser than that of a concrete sand would be protected.

<sup>10</sup> From a paper prepared by M. Schaefer, Dam Safety Section, Washington State Department of Ecology.

**FIGURE 4.4.1.A**  
**MEAN CHANNEL VELOCITY VS. MEDIUM STONE WEIGHT ( $W_{50}$ ) AND EQUIVALENT STONE DIAMETER**



**FIGURE 4.4.1.B RIPRAP/FILTER EXAMPLE GRADATION CURVE**





### 4.4.1.2 METHODS OF ANALYSIS

This section presents the methods of analysis for **designing new or evaluating existing open channels** for compliance with the conveyance capacity requirements set forth in Section 1.2.4, “Core Requirement #4: Conveyance System.”

#### ❑ DESIGN FLOWS

Design flows for sizing and assessing the capacity of open channels shall be determined using the hydrologic analysis methods described in Chapter 3.

#### ❑ CONVEYANCE CAPACITY

There are three acceptable methods of analysis for sizing and analyzing the capacity of open channels:

1. Manning's equation for preliminary sizing
2. Direct Step backwater method
3. Standard Step backwater method.

#### Manning's Equation for Preliminary Sizing

Manning's equation is used for preliminary sizing of open channel reaches of uniform cross section and slope (i.e., prismatic channels) and uniform roughness. This method assumes the flow depth (or normal depth) and flow velocity remain constant throughout the channel reach for a given flow.

The charts in Figure 4.4.1.C and Figure 4.4.1.D may be used to obtain graphic solutions of Manning's equation for common ditch sections. For conditions outside the range of these charts or for more precise results, Manning's equation can be solved directly from its classic forms shown in Equations (4-1) and (4-2).

Table 4.4.1.B provides a reference for selecting the appropriate “*n*” values for open channels. A number of engineering reference books, such as *Open-Channel Hydraulics* by V.T. Chow, may also be used as guides to select “*n*” values. Figure 4.4.1.E contains the geometric elements of common channel sections useful in determining area *A*, wetted perimeter *WP*, and hydraulic radius ( $R = A/WP$ ).

If flow restrictions occur that raise the water level above normal depth within a given channel reach, a *backwater condition* (or subcritical flow) is said to exist. This condition can result from flow restrictions created by a downstream culvert, bridge, dam, pond, lake, etc., and even a downstream channel reach having a higher flow depth. If backwater conditions are found to exist for the design flow, a backwater profile must be computed to verify that the channel's capacity is still adequate as designed. The Direct Step or Standard Step backwater methods presented in this section may be used for this purpose.

<b>TABLE 4.4.1.B VALUES OF ROUGHNESS COEFFICIENT “n” FOR OPEN CHANNELS</b>			
<b>Type of Channel and Description</b>	<b>Manning's “n”* (normal)</b>	<b>Type of Channel and Description</b>	<b>Manning's “n”* (normal)</b>
<b>A. Constructed Channels</b>			
a. Earth, straight and uniform		6. Sluggish reaches, weedy deep pools	0.070
1. Clean, recently completed	0.018	7. Very weedy reaches, deep pools, or floodways with heavy stand of timber and underbrush	0.100
2. Gravel, uniform section, clean	0.025		
3. With short grass, few weeds	0.027		
b. Earth, winding and sluggish	0.025	b. Mountain streams, no vegetation in channel, banks usually steep, trees and brush along banks submerged at high stages	
1. No vegetation	0.030	1. Bottom: gravel, cobbles, and few boulders	0.040
2. Grass, some weeds	0.035	2. Bottom: cobbles with large boulders	0.050
3. Dense weeds or aquatic plants in deep channels	0.030	B-2 Floodplains	
4. Earth bottom and rubble sides	0.035	a. Pasture, no brush	
5. Stony bottom and weedy banks	0.040	1. Short grass	
6. Cobble bottom and clean sides	0.040	2. High grass	0.030
c. Rock lined		b. Cultivated areas	0.035
1. Smooth and uniform	0.035	1. No crop	0.030
2. Jagged and irregular	0.040	2. Mature row crops	0.030
d. Channels not maintained, weeds and brush uncut		3. Mature field crops	0.035
1. Dense weeds, high as flow depth	0.080	c. Brush	0.040
2. Clean bottom, brush on sides	0.050	1. Scattered brush, heavy weeds	0.050
3. Same as #2, highest stage of flow	0.070	2. Light brush and trees	0.050
4. Dense brush, high stage	0.100	3. Medium to dense brush	0.060
		4. Heavy, dense brush	0.070
		d. Trees	0.100
		1. Dense willows, straight	
		2. Cleared land with tree stumps, no sprouts	0.150
		3. Same as #2, but with heavy growth of sprouts	0.040
		4. Heavy stand of timber, a few down trees, little undergrowth, flood stage below branches	0.060
		5. Same as #4, but with flood stage reaching branches	0.100
			0.120
<b>B. Natural Streams</b>			
B-1 Minor streams (top width at flood stage < 100 ft.)			
a. Streams on plain			
1. Clean, straight, full stage no rifts or deep pools	0.030		
2. Same as #1, but more stones and weeds	0.035		
3. Clean, winding, some pools and shoals	0.040		
4. Same as #3, but some weeds	0.040		
5. Same as #4, but more stones	0.050		

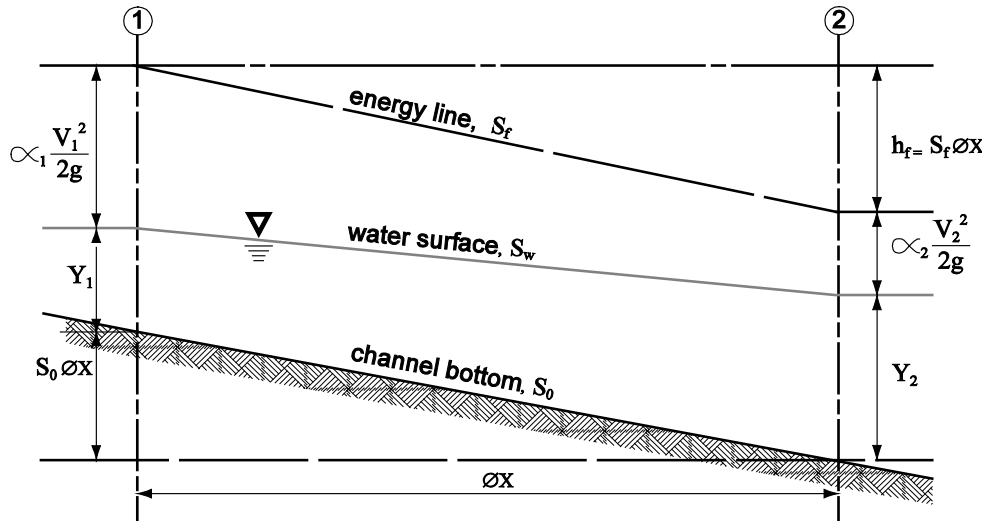
\* Note: These “n” values are “normal” values for use in analysis of channels. For conservative design of channel capacity, the maximum values listed in other references should be considered. For channel bank stability, the minimum values should be considered.

### Direct Step Backwater Method

The Direct Step backwater method may be used to compute backwater profiles on prismatic channel reaches (i.e., reaches having uniform cross section and slope) where a backwater condition or restriction to normal flow is known to exist. The method may be applied to a series of prismatic channel reaches in succession beginning at the downstream end of the channel and computing the profile upstream.

Calculating the coordinates of the water surface profile using this method is an iterative process achieved by choosing a range of flow depths, beginning at the downstream end, and proceeding incrementally up to the point of interest or to the point of normal flow depth. This is best accomplished by the use of a table (see Figure 4.4.1.G) or computer programs (as discussed in "Computer Applications" in Section 4.4.1.2).

To illustrate analysis of a single reach, consider the following diagram:



Equating the total head at cross sections 1 and 2, the following equation may be written:

$$S_o \Delta x + y_1 + \alpha_1 \frac{V_1^2}{2g} = y_2 + \alpha_2 \frac{V_2^2}{2g} + S_f \Delta x \quad (4-8)$$

where,

- $\Delta x$  = distance between cross sections (ft)
- $y_1, y_2$  = depth of flow (ft) at cross sections 1 and 2
- $V_1, V_2$  = velocity (fps) at cross sections 1 and 2
- $\alpha_1, \alpha_2$  = energy coefficient at cross sections 1 and 2
- $S_o$  = bottom slope (ft/ft)
- $S_f$  = friction slope =  $(n^2 V^2) / (2.21 R^{1.33})$
- $g$  = acceleration due to gravity, (32.2 ft/sec<sup>2</sup>)

If the specific energy  $E$  at any one cross-section is defined as follows:

$$E = y + \alpha \frac{V^2}{2g} \quad (4-9)$$

and assuming  $\alpha = \alpha_1 = \alpha_2$  where  $\alpha$  is the energy coefficient that corrects for the non-uniform distribution of velocity over the channel cross section, Equations 4-10 and 4-11 can be combined and rearranged to solve for  $\Delta x$  as follows:

$$\Delta x = (E_2 - E_1)/(S_o - S_f) = \Delta E/(S_o - S_f) \quad (4-10)$$

Typical values of the energy coefficient  $\alpha$  are as follows:

Channels, regular section	1.15
Natural streams	1.3
Shallow vegetated flood fringes (includes channel)	1.75

For a given flow, channel slope, Manning's "n," and energy coefficient  $\alpha$ , together with a beginning water surface elevation  $y_2$ , the values of  $\Delta x$  may be calculated for arbitrarily chosen values of  $y_1$ . The coordinates defining the water surface profile are obtained from the cumulative sum of  $\Delta x$  and corresponding values of  $y$ .

The **normal flow depth**,  $y_n$ , should first be calculated from Manning's equation to establish the upper limit of the backwater effect.

### Standard Step Backwater Method

The Standard Step Backwater Method is a variation of the Direct Step Backwater Method and may be used to compute backwater profiles on both prismatic and non-prismatic channels. In this method, stations are established along the channel where cross section data is known or has been determined through field survey. The computation is carried out in steps from station to station rather than throughout a given channel reach as is done in the Direct Step method. As a result, the analysis involves significantly more trial-and-error calculation in order to determine the flow depth at each station.

### Computer Applications

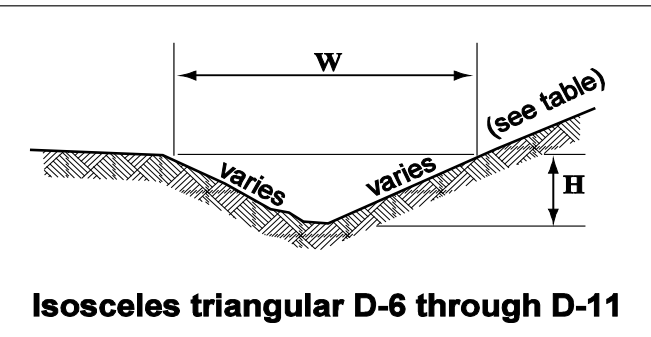
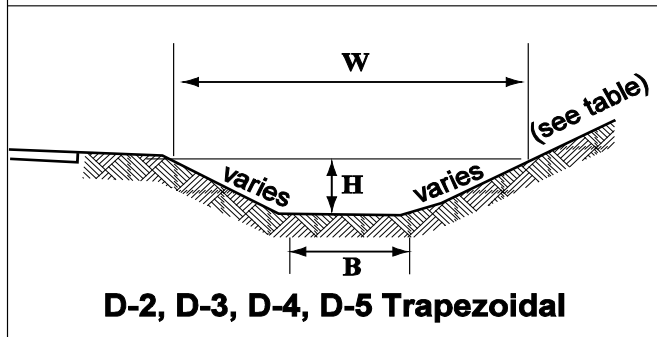
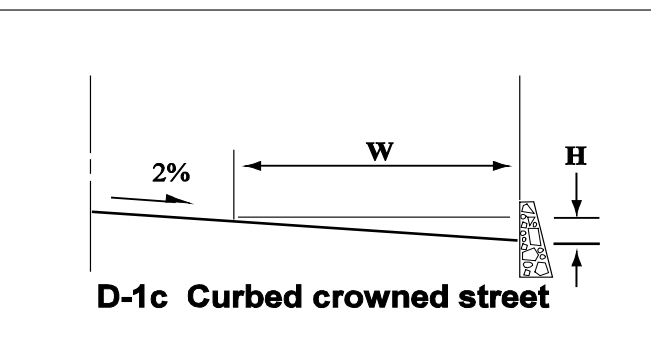
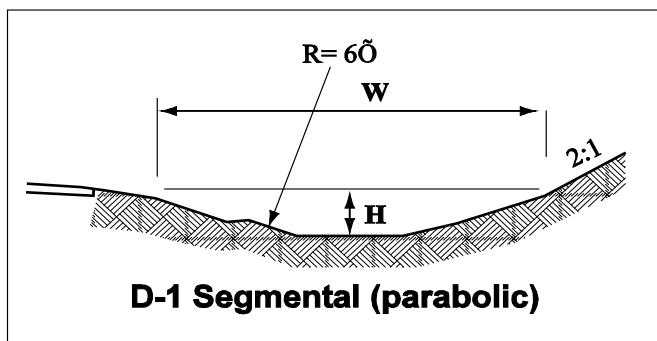
Because of the iterative calculations involved, use of a computer to perform the analysis is recommended. The **King County Backwater (KCBW) computer program** included in the software package available with this manual includes a subroutine, **BWCHAN**, based on the Standard Step backwater method, which may be used for all channel capacity analysis. It can also be combined with the **BWPIPE** and **BWCULV** subroutines to analyze an entire drainage conveyance system. A schematic description of the nomenclature used in the **BWCHAN** subroutine is provided in Figure 4.4.1.H. See the KCBW program documentation for further information.

There are a number of commercial software programs for use on personal computers that use variations of the Standard Step backwater method for determining water surface profiles. The most common and widely accepted program is called HEC-RAS, published and supported by the United States Army Corps of Engineers Hydraulic Engineering Center. It is one of the models accepted by FEMA for use in performing flood hazard studies for preparing flood insurance maps.

FIGURE 4.4.1.C DITCHES — COMMON SECTIONS

PROPERTIES OF DITCHES

NO.	DIMENSIONS				HYDRAULICS			
	Side Slopes	B	H	W	A	WP	R	R <sup>(2/3)</sup>
D-1	–	–	6.5"	5'-0"	1.84	5.16	0.356	0.502
D-1C	–	–	6"	25'-0"	6.25	25.50	0.245	0.392
D-2A	1.5:1	2'-0"	1'-0"	5'-0"	3.50	5.61	0.624	0.731
B	2:1	2'-0"	1'-0"	6'-0"	4.00	6.47	0.618	0.726
C	3:1	2'-0"	1'-0"	8'-0"	5.00	8.32	0.601	0.712
D-3A	1.5:1	3'-0"	1'-6"	7'-6"	7.88	8.41	0.937	0.957
B	2:1	3'-0"	1'-6"	9'-0"	9.00	9.71	0.927	0.951
C	3:1	3'-0"	1'-6"	12'-0"	11.25	12.49	0.901	0.933
D-4A	1.5:1	3'-0"	2'-0"	9'-0"	12.00	10.21	1.175	1.114
B	2:1	3'-0"	2'-0"	11'-0"	14.00	11.94	1.172	1.112
C	3:1	3'-0"	2'-0"	15'-0"	18.00	15.65	1.150	1.098
D-5A	1.5:1	4'-0"	3'-0"	13'-0"	25.50	13.82	1.846	1.505
B	2:1	4'-0"	3'-0"	16'-0"	30.00	16.42	1.827	1.495
C	3:1	4'-0"	3'-0"	22'-0"	39.00	21.97	1.775	1.466
D-6A	2:1	–	1'-0"	4'-0"	2.00	4.47	0.447	0.585
B	3:1	–	1'-0"	6'-0"	3.00	6.32	0.474	0.608
D-7A	2:1	–	2'-0"	8'-0"	8.00	8.94	0.894	0.928
B	3:1	–	2'-0"	12'-0"	12.00	12.65	0.949	0.965
D-8A	2:1	–	3'-0"	12'-0"	18.00	13.42	1.342	1.216
B	3:1	–	3'-0"	18'-0"	27.00	18.97	1.423	1.265
D-9	7:1	–	1'-0"	14'-0"	7.00	14.14	0.495	0.626
D-10	7:1	–	2'-0"	28'-0"	28.00	28.28	0.990	0.993
D-11	7:1	–	3'-0"	42'-0"	63.00	42.43	1.485	1.302



**FIGURE 4.4.1.D DRAINAGE DITCHES — COMMON SECTIONS**

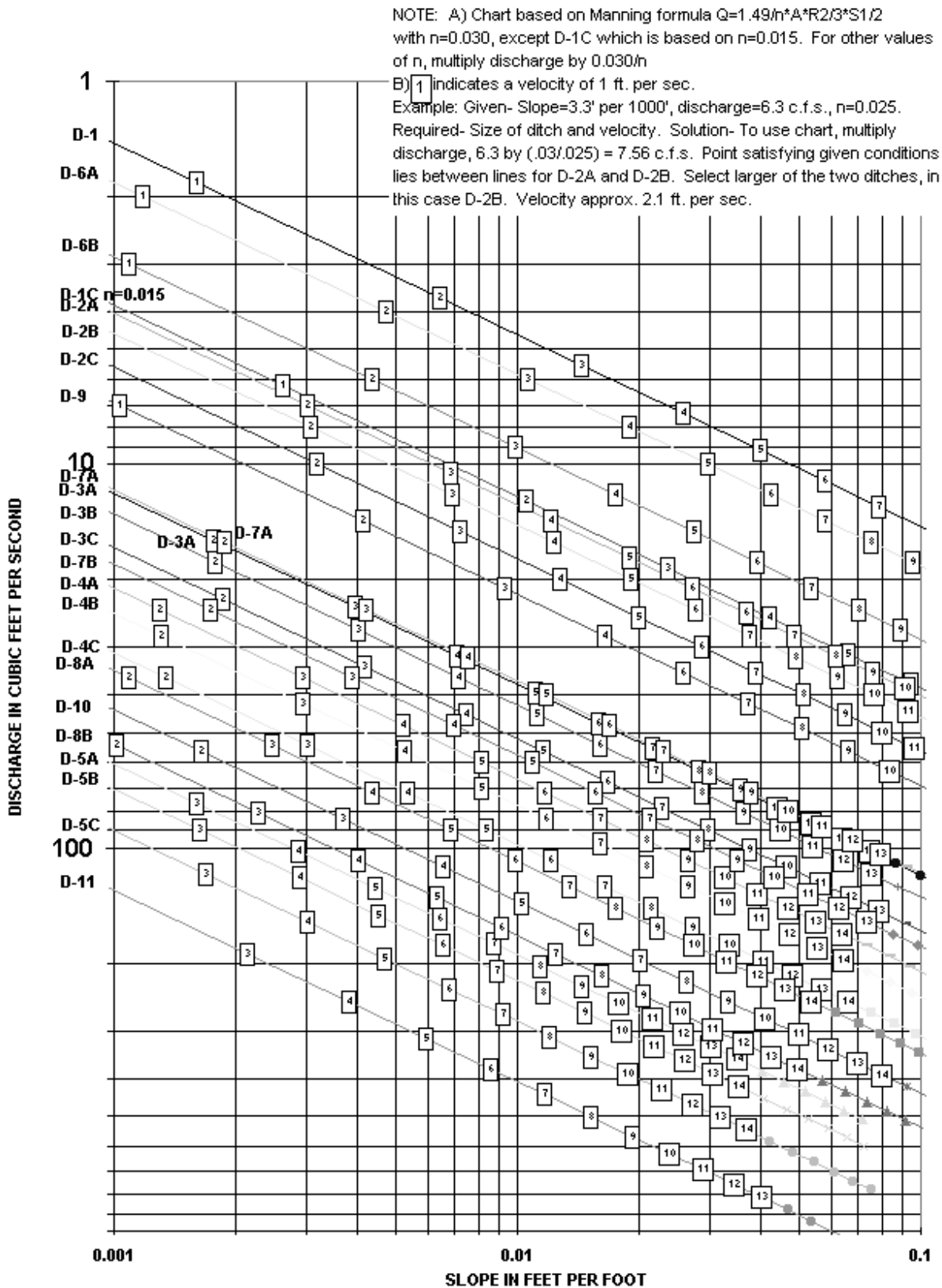
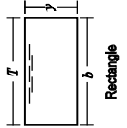
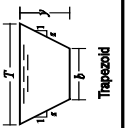
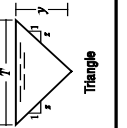
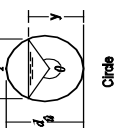
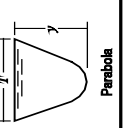
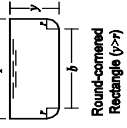
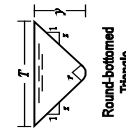


FIGURE 4.4.1.E GEOMETRIC ELEMENTS OF COMMON SECTIONS

Section	Area A	Wetted perimeter P	Hydraulic radius R	Top width W	Hydraulic depth D	Section factor Z
 Rectangle	$by$	$b + 2y$	$\frac{by}{b + 2y}$	$b$	$y$	$by^{1.5}$
 Trapezoid	$(b + zy)y$	$b + 2y\sqrt{1 + z^2}$	$\frac{(b + zy)y}{b + 2y\sqrt{1 + z^2}}$	$b + 2zy$	$\frac{(b + zy)y}{b + 2zy}$	$\frac{[(b + zy)y]^{1.5}}{\sqrt{b + 2zy}}$
 Triangle	$zy^2$	$2y\sqrt{1 + z^2}$	$\frac{zy}{2\sqrt{1 + z^2}}$	$2zy$	$1/2y$	$\frac{\sqrt{2}}{2}zy^{2.5}$
 Circle	$1/8(\theta \text{ D sin}\theta)^2 \hat{u}$	$1/2\theta d \hat{u}$	$1/4(1 \text{ D sin}\theta / \theta) d \hat{u}$	$(\text{sin}(1/2\theta) d) \hat{u}$ or $2\sqrt{y(d \text{ D } y)}$	$1/8(\theta \text{ D sin}\theta) d \hat{u}$	$\frac{\sqrt{2}(\theta \text{ D sin}\theta)^{1.5}}{32(\text{sin } 1/2\theta)^{0.5}} d^{2.5} \hat{u}$
 Parabola	$2/3 Ty$	$T + \frac{8y^2}{3T}$ *	$\frac{2T^2y}{3T^2 + 8y^2}$ *	$\frac{3A}{2y}$	$2/3y$	$2/9\sqrt{6Ty}^{1.5}$
 Round-cornered Rectangle ( $y > r$ )	$(\frac{\pi}{2} \text{ D } 2)r^2 + (b + 2r)y$	$(\neq \text{ D } 2)r + b + 2y$	$\frac{(\frac{\pi}{2} \text{ D } 2)r^2 + (b + 2r)y}{(\neq \text{ D } 2)r + b + 2y}$	$b + 2r$	$\frac{(\frac{\pi}{2} \text{ D } 2)r^2}{(b + 2r)} + y$	$\frac{[(\frac{\pi}{2} \text{ D } 2)r^2 + (b + 2r)y]^{1.5}}{\sqrt{b + 2y}}$
 Round-bottomed Triangle	$\frac{T^2}{4z} - \frac{r^2}{z} (1 \text{ D } z \text{ cof}^1 z)$	$\frac{T}{z}\sqrt{1 + z^2} - \frac{2r}{z} (1 \text{ D } z \text{ cof}^1 z)$	$\frac{A}{P}$	$2[z(y \text{ D } r) + r\sqrt{1 + z^2}]$	$\frac{A}{T}$	$\frac{\sqrt{A}}{A} \sqrt{\frac{T}{T}}$

\*Satisfactory approximation for the interval  $0 < x < 1$ , where  $x = 4y/T$ . When  $x > 1$ , use the exact expression  $P = (\frac{T}{2})[\sqrt{1 + x^2} + \frac{1}{x} \ln(x + \sqrt{1 + x^2})]$

**FIGURE 4.4.1.F OPEN CHANNEL FLOW PROFILE COMPUTATION**

$Q =$ _____		$n =$ _____		$S_o =$ _____		$\alpha =$ _____		$Y_n =$ _____				
$y$	$A$	$R$	$R^{4/3}$	$V$	$\alpha V^2/2g$	$E$	$\Delta E$	$S_f$	$\bar{S}_f$	$\bar{S}_o - S_f$	$\Delta x$	$x$
(1)	(2)	(3)	(4)	(5)	(6)	(7)	(8)	(9)	(10)	(11)	(12)	(13)



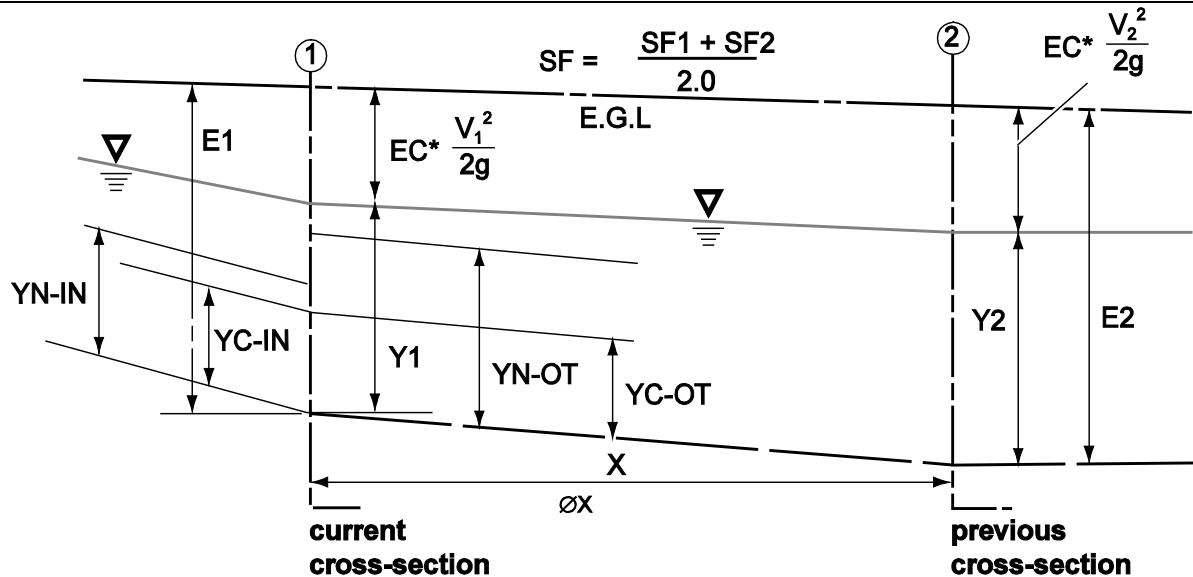
**FIGURE 4.4.1.G DIRECT STEP BACKWATER METHOD – EXAMPLE**

$y$	$A$	$R$	$R^{4/3}$	$V$	$\alpha V^2/2g$	$E$	$\Delta E$	$S_f$	$\bar{S}_f$	$S_o - \bar{S}_f$	$\Delta x$	$x$
(1)	(2)	(3)	(4)	(5)	(6)	(7)	(8)	(9)	(10)	(11)	(12)	(13)
6.0	72.0	2.68	3.72	0.42	0.0031	6.0031	-	0.00002	-	-	-	-
5.5	60.5	2.46	3.31	0.50	0.0040	5.5040	0.4990	0.00003	0.000025	0.00698	71.50	71.5
5.0	50.0	2.24	2.92	0.60	0.0064	5.0064	0.4976	0.00005	0.000040	0.00696	71.49	142.99
4.5	40.5	2.01	2.54	0.74	0.0098	4.5098	0.4966	0.00009	0.000070	0.00693	71.64	214.63
4.0	32.0	1.79	2.17	0.94	0.0157	4.0157	0.4941	0.00016	0.000127	0.00687	71.89	286.52
3.5	24.5	1.57	1.82	1.22	0.0268	3.5268	0.4889	0.00033	0.000246	0.00675	72.38	358.90
3.0	18.0	1.34	1.48	1.67	0.0496	3.0496	0.4772	0.00076	0.000547	0.00645	73.95	432.85
2.5	12.5	1.12	1.16	2.40	0.1029	2.6029	0.4467	0.00201	0.001387	0.00561	79.58	512.43
2.0	8.0	0.89	0.86	3.75	0.2511	2.2511	0.3518	0.00663	0.004320	0.00268	131.27	643.70

The step computations are carried out as shown in the above table. The values in each column of the table are explained as follows:

- Col. 1. Depth of flow (ft) assigned from 6 to 2 feet
- Col. 2. Water area (ft<sup>2</sup>) corresponding to depth  $y$  in Col. 1
- Col. 3. Hydraulic radius (ft) corresponding to  $y$  in Col. 1
- Col. 4. Four-thirds power of the hydraulic radius
- Col. 5. Mean velocity (fps) obtained by dividing  $Q$  (30 cfs) by the water area in Col. 2
- Col. 6. Velocity head (ft)
- Col. 7. Specific energy (ft) obtained by adding the velocity head in Col. 6 to depth of flow in Col. 1
- Col. 8. Change of specific energy (ft) equal to the difference between the  $E$  value in Col. 7 and that of the previous step.
- Col. 9. Friction slope  $S_f$ , computed from  $V$  as given in Col. 5 and  $R^{4/3}$  in Col. 4
- Col. 10. Average friction slope between the steps, equal to the arithmetic mean of the friction slope just computed in Col. 9 and that of the previous step
- Col. 11. Difference between the bottom slope,  $S_o$ , and the average friction slope,  $\bar{S}_f$
- Col. 12. Length of the reach (ft) between the consecutive steps;  
Computed by  $\Delta x = \Delta E / (S_o - \bar{S}_f)$  or by dividing the value in Col. 8 by the value in Col. 11
- Col. 13. Distance from the beginning point to the section under consideration. This is equal to the cumulative sum of the values in Col. 12 computed for previous steps.

FIGURE 4.4.1.H BWCHAN COMPUTER SUBROUTINE – VARIABLE DEFINITIONS



BWCHAN – VARIABLE DEFINITIONS	
YC-IN	Critical Depth (ft) at current section based on <i>incoming</i> flow rate.
YC-OT	Critical Depth (ft) at current section based on <i>outgoing</i> flow rate.
YN-IN	Normal Depth (ft) at current section based on <i>incoming</i> flow rate/channel grade.
YN-OT	Normal Depth (ft) at current section based on <i>outgoing</i> flow rate/channel grade.
Y1	Final Water Depth (ft) at current cross section
N-Y1	Composite n-factor of current section for final depth, Y1.
A-Y1	Cross-sectional Area of current section for final depth, Y1.
WP-Y1	Wetted Perimeter (ft) of current section for final depth, Y1.
V-Y1	Average Velocity (fps) of current section for final depth, Y1.
E1	Total Energy Head (ft) at current section $(Y1 + EC * V_1^2 / 2g)$
E2	Total Energy Head (ft) at pervious or downstream section.
SF1	Friction Slope of current section.
SF2	Friction Slope of previous or downstream section.
DXY	Distance (expressed as a fraction of the current reach length) from the previous or downstream section to where the flow profile would intersect the final water depth, Y1, assuming Y1 were to remain constant
EC	Energy Coefficient "α"
Q-TW	The flow rate used to determine Tailwater Height from an inputted HW/TW Data File.
TW-HT	Tailwater Height.
Q-Y1	Flow rate (cfs) in channel at current section, for depth, Y1
VU-Y1	Upstream Velocity (fps) at current section for depth, Y1 ("Adjust" option).
V1-HD	Channel Velocity Head (ft) at current section.
VU-HD	Upstream Velocity Head (ft) at current section.

## 4.4.2 FLOODPLAIN/FLOODWAY ANALYSIS

This section describes the floodplain/floodway studies required by Special Requirement #2, Flood Hazard Area Delineation, in Section 1.3.2. Floodplain/floodway studies, as required by this manual, establish base flood elevations and delineate floodplains and/or floodways when the City determines that a proposed project contains or is adjacent to a **flood hazard area** for a river, stream, lake, wetland, closed depression, marine shoreline, or other water feature. Furthermore, when development is proposed within the floodplain, the floodplain/floodway study is used to show compliance with the critical areas code (RMC 4-3-050) **flood hazard area** regulations.

There are four conditions affecting the requirements for floodplain/floodway studies. Each condition is considered a threshold for determining the type of studies required and the documentation needed to meet the study requirements. Each study threshold and related study requirements are shown in the table below, and described further in this section.

Note that any projects or related flood studies that are expected to result in a change to Base Flood Elevations published in FEMA Flood Insurance Studies and Rate Maps, must also comply with 44 CFR Part 65.

TABLE 4.4.2.A FLOODPLAIN/FLOODWAY STUDY THRESHOLDS AND REQUIREMENTS		
Threshold	Study	Requirements
The <b>project site</b> is on land that is outside of an already delineated floodplain and above the floodplain's base flood elevation based on best available floodplain data.	No floodplain study required	<ul style="list-style-type: none"> <li>Show delineation of floodplain on the site improvement plan and indicate base flood elevation</li> <li>Record a notice on title</li> </ul> See Section 4.4.2.1 for more details
The <b>project site</b> is on land that is at least 10 feet above the ordinary high water mark or 2 feet above the downstream overflow elevation of a water feature for which a floodplain has not been determined.	Approximate Floodplain Study per Section 4.4.2.2	<ul style="list-style-type: none"> <li>Submit an engineering plan with approximate base flood elevation</li> <li>Record a notice on title</li> </ul> See Section 4.4.2.2 for more details
The <b>project site</b> does not meet the above thresholds and is either on land that is outside of an already delineated Zone A floodplain (i.e., without base flood elevations determined), or is adjacent to a water feature for which a floodplain has not been determined.	Minor Floodplain Study per Section 4.4.2.3	<ul style="list-style-type: none"> <li>Backwater model</li> <li>Submit an engineering plan with determined base flood elevation<sup>1</sup></li> <li>Record a notice on title</li> </ul> See Section 4.4.2.3 for more details
The <b>project site</b> is on land that is partially or fully within an already delineated floodplain of a river or stream, or is determined by a Minor Floodplain Study to be partially or fully within the floodplain of a river or stream.	Major Floodplain/Floodway Study per Section 4.4.2.4	<ul style="list-style-type: none"> <li>Show mapped floodplain/floodway on the site improvement plan and indicate base flood elevation</li> <li>Record a notice on title</li> <li>See further requirements in Section 4.4.2.4</li> </ul>
For any project site or study that is intended to result in a change to FEMA Flood Insurance Study or Rate Maps, including changing published based flood elevations, the applicant must comply with documentation and approval requirements of FEMA regulations 44 CFR Part 65.		
<sup>1</sup> For marine shorelines, refer to the FEMA <i>Guidelines and Specifications for Flood Hazard Mapping Partners</i> .		

#### 4.4.2.1 NO FLOODPLAIN STUDY REQUIRED

IF the proposed *project site* is on land that is outside of an already delineated floodplain and is above the already determined base flood elevation for that floodplain, based on best available floodplain data, THEN no floodplain study is required.

In this situation, if the already determined floodplain covers any portion of the *site*, the boundary of that floodplain and its base flood elevation must be shown on the project's site improvement plan. In addition, a **notice on title** must be recorded for the *site*, alerting future property owners of the presence of a **flood hazard area** on the *site* and its base flood elevation. The notice on title requirement may be waived if the floodplain is not on any portion of the *site*.

#### 4.4.2.2 APPROXIMATE FLOODPLAIN STUDY

If the proposed *project site* is on land that is at least 10 feet above the ordinary high water mark or 2 feet above the downstream overflow elevation of a water feature for which the floodplain has not been delineated, then an Approximate Floodplain Study may be used to determine an approximate floodplain and base flood elevation.

The **intent** of the Approximate Floodplain Study is to reduce required analysis in those situations where the *project site* is adjacent to a **flood hazard area**, but by virtue of significant topographical relief, is clearly in no danger of flooding. The minimum 10 feet of separation from ordinary high water reduces the level of required analysis for those projects adjacent to streams confined to deep channels or ravines, or near lakes or wetlands. The minimum 2 feet clearance above the downstream overflow elevation is intended to avoid flood hazard areas created by a downstream impoundment of water behind a road fill or in a lake, wetland, or closed depression.

Use of the Approximate Floodplain Study requires submittal of an *engineering plan*<sup>11</sup> showing the proposed *project site* is at least 10 feet above the ordinary high water elevation of the water feature in question, or at least 2 feet above the downstream overflow elevation of the water feature, whichever is less, subject to the following conditions:

1. The design engineer preparing the engineering plan shall determine an **approximate base flood elevation** and include a narrative describing his/her level of confidence in the approximate base flood elevation. The **narrative** must include, but is not limited to, an assessment of potential backwater effects (such as might result from nearby river flooding, for example); observations and/or anecdotal information on water surface elevations during previous flood events; and an assessment of potential for significantly higher future flows at basin build out. *Note: Many of these issues will have been addressed in a Level 1 downstream analysis, if required.* Acceptance of the approximate base flood elevation shall be at the sole discretion of the City. If the approximate base flood elevation is not acceptable, a Minor Floodplain Study or Major Floodplain/Floodway Study may be required.
2. That portion of the *site* that is at or below the assumed base flood elevation must be delineated and designated as a floodplain on the engineering plan, and a **notice on title** must be recorded for the *site*, notifying future property owners of the approximate floodplain and base flood elevation.

#### 4.4.2.3 MINOR FLOODPLAIN STUDY

IF the proposed *project site* does not meet the conditions for “no floodplain study required” per Section 4.4.2.1 or for use of the Approximate Floodplain Study per Section 4.4.2.2, AND the *project site* is either on land that is outside of an already delineated Zone A floodplain (i.e., without base flood

---

<sup>11</sup> *Engineering plan* means a site improvement plan, including supporting documentation, stamped by a **licensed civil engineer**. In some instances, CED review staff may determine that the proposed project is sufficiently above the clearances specified in this exception and may not require an engineering plan. Typically, this is done for projects in Simplified Drainage Review that clearly exceed minimum clearances and otherwise would not require engineering design.

elevations determined) or is adjacent to a water feature for which a floodplain has not been determined, THEN a Minor Floodplain Study may be used to determine the floodplain. However, if the Minor Floodplain Study determines that all or a portion of the *project site* is at or below the base flood elevation of a river or stream and thus within the floodplain, then the applicant must either redesign the *project site* to be out of the floodplain or complete a Major Floodplain/Floodway Study per Section 4.4.2.4.

Use of the Minor Floodplain Study requires submittal of an engineering plan and supporting calculations. That portion of the *site* that is at or below the determined base flood elevation must be delineated and designated as a floodplain on the engineering plan, and a **notice on title** must be recorded for the *site*, notifying future property owners of the floodplain and base flood elevation.

### Methods of Analysis

For **streams** without a floodplain or flood hazard study, or for **drainage ditches or culvert headwaters**, the base flood elevation and extent of the floodplain shall be determined using the Direct Step backwater method, Standard Step backwater method, or the King County Backwater computer program, as described in Section 4.4.1.2.

For **lakes, wetlands, and closed depressions** without an approved floodplain or flood hazard study, the base flood elevation and the extent of the floodplain shall be determined using the “point of compliance technique” described in Section 3.3.6.

## 4.4.2.4 MAJOR FLOODPLAIN/FLOODWAY STUDY

The floodplain analysis shall be based on the 100-year storm event using existing land use hydrology except as noted in the paragraph titled “Flood Flows from Adopted Basin Plan Information.”

IF the proposed *project site* is on land that is partially or fully within an already delineated floodplain of a **river or stream**, or determined by a Minor Floodplain Study to be partially or fully within the floodplain of a river or stream, THEN a Major Floodplain/Floodway Study is required to determine the floodplain, floodway, and base flood elevation in accordance with the methods and procedures presented in this section. This information will be used by the City to evaluate the project's compliance with regulations for development or improvements within the floodplain.

Major Floodplain/Floodway Studies must conform to FEMA regulations described in Part 65 of 44 Code of Federal Regulations (CFR). In addition, the following information must be provided and procedures performed.

### ❑ INFORMATION REQUIRED

The applicant shall submit the following information for review of a floodplain/floodway analysis in addition to that required for the drainage plan of a proposed project. This analysis shall extend upstream and downstream a sufficient distance to adequately include all backwater conditions that may affect flooding at the *site* and all reaches that may be affected by alterations to the *site*.

### Floodplain/Floodway Map

A Major Floodplain/Floodway Study requires submittal of five copies of a separate floodplain/floodway map **stamped by a licensed civil engineer** and a **professional land surveyor** registered in the State of Washington (for the base survey). The map must accurately locate any proposed development with respect to the floodplain and floodway, the channel of the stream, and existing development in the floodplain; it must also supply all pertinent information such as the nature of any proposed project, legal description of the property on which the project would be located, fill quantity, limits and elevation, the building floor elevations, flood-proofing measures, and any use of compensatory storage.

The map must show elevation contours at a minimum of 2-foot vertical intervals and shall comply with survey and map guidelines published in the FEMA publication *Guidelines and Specifications for Flood Hazard Mapping Partners*. The map must **show the following**:

- Existing elevations and ground contours;
- Locations, elevations and dimensions of existing structures, and fills;
- Size, location, elevation, and spatial arrangement of all proposed structures, fills and excavations, including proposed compensatory storage areas, with final grades on the site;
- Location and elevations of roadways, water supply lines, and sanitary sewer facilities, both existing and proposed.

### Study Report

A Major Floodplain/Floodway Study also requires submittal of two copies of a study report, **stamped by a licensed civil engineer**, which must include calculations or any computer analysis input and output information as well as the following additional information:

1. Valley **cross sections** showing the channel of the river or stream, the floodplain adjoining each side of the channel, the computed FEMA floodway, the cross-sectional area to be occupied by any proposed development, and all historic high water information.
2. **Profiles** showing the bottom of the channel, the top of both left and right banks, and existing and proposed base flood water surfaces.
3. Plans and specifications for **flood-proofing** any structures and fills, construction areas, materials storage areas, water supply, and sanitary facilities within the floodplain.
4. Complete **printout** of input and output (including any error messages) for **HEC-RAS**. Liberal use of comments will assist in understanding model logic and prevent review delays.
5. One **ready-to-run digital copy** of the **HEC-RAS** input file used in the study. Data shall be submitted in an electronic format.
6. The applicant shall prepare a **written summary** describing the model development calibration, hydraulic analysis, and floodway delineation. The summary shall also include an explanation of modeling assumptions and any key uncertainties.

## □ DETERMINING FLOOD FLOWS

The **three techniques** used to determine the flows used in the analysis depend on whether gage data is available or whether a basin plan has been adopted. The first technique is for basins in adopted basin plan areas. The second technique is used if a gage station exists on the stream. The third technique is used on ungaged catchments or those with an insufficient length of record. In all cases, the design engineer shall be responsible for assuring that the hydrologic methods used are technically reasonable and conservative, conform to the *Guidelines and Specifications for Flood Hazard Mapping Partners*, and are acceptable by FEMA.

### Flood Flows from Adopted Basin Plan Information

For those areas where the City or King County has adopted a basin plan since 1986, flood flows may be determined using information from the adopted basin plan. The hydrologic model used in the basin plan shall be updated to include the latest changes in zoning, or any additional information regarding the basin that has been acquired since the adoption of the basin plan.

### Flood Flows from Stream Gage Data

Flood flows from stream gage data may be determined using HEC-FFA, which uses the Log-Pearson Type III distribution method as described in *Guidelines for Determining Flood Flow Frequency*, Bulletin 17B of the Hydrology Committee, prepared by the Interagency Advisory Committee on Water Data (1982). Refer

to the FEMA *Guidelines and Specifications for Flood Hazard Mapping Partners* to verify the most current requirements. Use of HEC-FFA is subject to the following requirements:

1. This technique may be used only if data from a gage station in the basin is available for a period of at least ten years that is representative of the current basin conditions.
2. If the difference in the drainage area on the stream at the study location and the drainage area to a gage station on the stream at a different location in the same basin is less than or equal to 50 percent, the flow at the study location shall be determined by transferring the calculated flow at the gage to the study location using a drainage area ratio raised to the 0.86 power, as in the following equation:

$$Q_{SS} = Q_G (A_{SS}/A_G)^{0.86} \quad (4-11)$$

where  $Q_{SS}$  = estimated flow for the given return frequency on the stream at the study location  
 $Q_G$  = flow for the given return frequency on the stream at the gage location  
 $A_{SS}$  = drainage area tributary to the stream at the study location  
 $A_G$  = drainage area tributary to the stream at the gage location

3. If the difference in the drainage area at the study location and the drainage area at a gage station in the basin is more than 50 percent and a basin plan has not been prepared, a continuous model shall be used as described below to determine flood flows at the study location.
4. In all cases where dams or reservoirs, floodplain development, or land use upstream may have altered the storage capacity or runoff characteristics of the basin so as to affect the validity of this technique, a continuous model shall be used to determine flood flows at the study location.

### Flood Flows from a Calibrated Continuous Model

Flood flows may be determined by utilizing a continuous flow simulation model such as HSPF. Where flood elevations or stream gage data are available, the model shall be calibrated; otherwise, regional parameters<sup>12</sup> may be used.

## □ DETERMINING FLOOD ELEVATIONS, PROFILES, AND FLOODWAYS

### Reconnaissance

The applicant's design engineer is responsible for the collection of all existing data with regard to flooding in the study area. This shall include a literature search of all published reports in the study area and adjacent communities, and an information search to obtain all unpublished information on flooding in the immediate and adjacent areas from federal, state, and local units of government. This search shall include specific information on past flooding in the area, drainage structures such as bridges and culverts that affect flooding in the area, available topographic maps, available flood insurance rate maps, photographs of past flood events, and general flooding problems within the study area. A field reconnaissance shall be made by the applicant's design engineer to determine hydraulic conditions of the study area, including type and number of structures, locations of cross sections, and other parameters, including the roughness values necessary for the hydraulic analysis.

### Base Data

**Cross sections** used in the hydraulic analysis shall be representative of current channel and floodplain conditions obtained by surveying. When cross-sections data is obtained from other studies, the data shall be confirmed to represent current channel and floodplain conditions, or new channel cross-section data shall be obtained by field survey. Topographic information obtained from aerial photographs may be used in combination with surveyed cross sections in the hydraulic analysis. The **elevation datum** of all

<sup>12</sup> Dinacola, 1990. U.S.G.S., Characterization and Simulation of Rainfall-Runoff Relations for Headwater Basins in Western King and Snohomish Counties, Washington.

information used in the hydraulic analysis shall be specified. All information shall be referenced directly to **NAVD 1988** (and include local correlation to NGVD 1929) unless otherwise approved by the City. See Table 4.4.2.B for correlations of other datum to NAVD 1988.

### **Methodology**

Flood profiles and floodway studies shall be calculated using the U.S. Army Corps of Engineers' HEC-RAS computer model (or subsequent revisions).

### **Floodway Determination**

1. Flood hazard areas are identified by the Federal Insurance Administration in a scientific and engineering report entitled the Flood Insurance Study for the City of Renton, dated September 29, 1989, and any subsequent revision, with accompanying flood insurance maps which are hereby adopted by reference and declared to be a part of this Section. The flood insurance study is on file at the Public Works Department.

### **Previous Floodplain Studies**

If differences exist between a study previously approved by the City and the applicant's design engineer's calculated hydraulic floodways or flood profiles, the design engineer shall provide justification and obtain City approval for these differences.

### **Zero-Rise Calculation**

For a zero-rise analysis, the flow profile for the existing and proposed *site* conditions shall be computed and reported to the nearest 0.01 foot. A zero-rise analysis requires only comparisons of the computed water surface elevations and energy grade lines for the existing and proposed conditions. Such comparisons are independent of natural dynamics and are not limited by the accuracy of the model's absolute water surface predictions.

### **Adequacy of Hydraulic Model**

At a minimum, the City considers the **following factors** when determining the adequacy of the hydraulic model and flow profiles for use in floodway analysis:

1. Cross section spacing
2. Differences in energy grade

*Note: Significant differences in the energy grade from cross section to cross section are an indication that cross sections should be more closely spaced or that other inaccuracies exist in the hydraulic model.*

1. Methods for analyzing the hydraulics of structures such as bridges and culverts
2. Lack of flow continuity
3. Use of a gradually-varied flow model

*Note: In certain circumstances (such as weir flow over a levee or dike, flow through the spillway of a dam, or special applications of bridge flow), rapidly-varied flow techniques shall be used in combination with a gradually-varied flow model.*

1. Manning's "n" values
2. Calibration of the hydraulic model with past flood events
3. Special applications. In some cases, HEC-RAS alone may not be sufficient for preparing the floodplain/floodway analysis. This may occur where sediment transport, two-dimensional flow, or other unique hydraulic circumstances affect the accuracy of the HEC-RAS hydraulic model. In these cases, the applicant shall obtain City approval of other methods proposed for estimating the water surface profiles.



**TABLE 4.4.2.B DATUM CORRELATIONS**  
 (for general reference use only, values are approximate)

<b>Correlation From To</b>	<b>(Snoq. Valley) NAVD 1988*</b>	<b>KCAS</b>	<b>U.S. Engineers</b>	<b>City of Seattle</b>	<b>NGVD, USGS &amp; USC &amp; GS 1947</b>	<b>Seattle Area Tide Tables &amp; Navigation Charts 1954 &amp; Later</b>
NAVD 1988* (Upper Snoqualmie Valley)	-	-3.58	3.44	-9.54	-3.49	2.98
KCAS	3.58	-	7.02	-5.96	0.09	6.56
U.S. Engineers	-3.22	-7.02	-	-12.98	-6.93	-0.46
City of Seattle	9.54	5.96	12.98	-	6.05	12.52
NGVD, USGS & USC& GS 1947 (adjusted to the 1929 datum)	3.49	-0.09	6.93	-6.05	-	6.47
Seattle Area Tide Tables & Navigation Charts 1954 & Later (based on epoch 1924-1942)	-2.98	-6.56	0.46	-12.52	-6.47	-
Design Tidal Tailwater Elevation	12.08	8.50	15.52	2.54	8.59	15.06
Mean Higher High Water (MHHW)	8.34	4.76	11.78	-1.20	4.85	11.32
Mean High Water (MHW)	7.49	3.91	10.93	-2.05	4.00	10.47
Mean Low Water (MLW)	-0.16	-3.74	3.28	-9.70	-3.65	2.82
Mean Lower Low Water (MLLW)	-2.98	-6.56	0.46	-12.52	-6.47	0.00
<p>* <i>Varies, contact the City of Renton for datum correlation for this and other areas.</i>            KCAS datum = Sea Level Datum 1929 (a.k.a. NGVD 1929)            KCAS = King County Aerial Survey            NAVD = North American Vertical Datum            NGVD = National Geodetic Vertical Datum            USGS = United States Geologic Survey            USC &amp; GS = US Coast and Geodetic Survey</p>						

*(This page intentionally left blank.)*

---

# CHAPTER 5

## FLOW CONTROL DESIGN



### CITY OF RENTON

# SURFACE WATER DESIGN MANUAL

Section	Page
<b>5.1 Detention Facilities</b>	<b>5-3</b>
5.1.1 Detention Ponds	5-3
5.1.2 Detention Tanks	5-17
5.1.3 Detention Vaults	5-21
5.1.4 Control Structures	5-25
5.1.5 Parking Lot Detention	5-35
5.1.6 Roof Detention	5-35
5.1.7 Simple Detention Pond for Cleared Areas	5-35
<b>5.2 Infiltration Facilities</b>	<b>5-43</b>
5.2.1 General Requirements for Infiltration Facilities	5-43
5.2.2 Infiltration Ponds	5-54
5.2.3 Infiltration Tanks	5-57
5.2.4 Infiltration Vaults	5-60
5.2.5 Infiltration Trenches	5-62
5.2.6 Alternative Infiltration Systems	5-63
5.2.7 Small Infiltration Basins	5-64

*(This page intentionally left blank.)*

# CHAPTER 5

## FLOW CONTROL DESIGN

This chapter presents the City approved methods, criteria, and details for hydraulic analysis and design of flow control facilities pursuant to Core Requirement #3, “Flow Control” (see Section 1.2.3). *Flow control facilities*, as described in this manual, are detention or infiltration facilities engineered to meet a specified discharge performance. Four terms are commonly used to describe flow control facilities in the City: detention facilities, retention facilities, infiltration facilities, and R/D (Retention/Detention) facilities. A *detention facility*, by definition, temporarily stores surface water runoff and discharges it at a reduced rate. A *retention facility* stores water longer and effectively has no surface outflow (outflow occurs by evaporation or soaking into the ground). *Infiltration facilities* are retention facilities that rely entirely on the soaking of collected surface water into the ground. The term *R/D facility* has been used in previous versions of this manual to generally refer to all flow control facilities.

*On-site BMPs*, also known as low impact development (LID) BMPs, are methods and designs for dispersing, infiltrating, or otherwise reducing or preventing development-related increases in runoff at or near the sources of those increases. *On-site BMPs* include, but are not limited to, preservation and use of ***native vegetated surfaces*** to fully disperse runoff; use of other pervious surfaces to disperse runoff; roof downspout infiltration; ***permeable pavement***; ***bioretention***; and reduction of development footprint. On-site BMPs are required pursuant to Core Requirement #9, “On-Site BMPs” (see Section 1.2.9). Design criteria for *on-site BMPs* are included in Appendix C of this manual.

The figures included in this chapter are provided as schematic representations and should not be used for design. Refer to the *City of Renton Standard Details* for specific design information. The figures provided in this chapter illustrate **one example** of how the flow control facility design criteria may be applied. Although the figures are meant to illustrate many of the most important design criteria, they may not show **all** criteria that apply. In general, the figures are not used to specify requirements unless they are indicated elsewhere in the manual. If this manual refers to a standard detail not included in the *City of Renton Standard Details*, the applicant shall use the figure provided in this manual.

### Chapter Organization

The information in this chapter is organized into the following four main sections:

- Section 5.1, “Detention Facilities”
- Section 5.2, “Infiltration Facilities”

These sections begin on odd pages so the user can insert tabs if desired for quicker reference.

### Required vs. Recommended Design Criteria

Both required and recommended design criteria are presented in this chapter. Criteria stated using “shall” or “must” are mandatory, to be followed unless there is a good reason to deviate as allowed by the adjustment process (see Section 1.4). These criteria are **required design criteria** and generally affect

facility performance or critical maintenance factors. Sometimes options are stated as part of the required design criteria using the language “should” or “may.” These criteria are **recommended design criteria**, but are closely related to the required criteria, so they are placed in the same section.

### **Use of Materials**

Galvanized metals leach zinc into the environment, especially in standing water situations. High zinc concentrations, sometimes in the range that can be toxic to aquatic life, have been observed in the region. Therefore, use of galvanized materials in *flow control facilities* and *on-site BMPs* should be avoided. Where other metals, such as aluminum or stainless steel, or plastics are available, they shall be used. Allowable materials are specified in the Design Criteria for the facility.

### **Groundwater Protection**

Detention ponds are not allowed in *Zone 1 of the Aquifer Protection Area*.

## 5.1 DETENTION FACILITIES

This section presents the methods, criteria, and details for design and analysis of detention facilities. These facilities provide for the temporary storage of increased surface water runoff resulting from development pursuant to the performance standards set forth in Core Requirement #3, “Flow Control” (see Section 1.2.3).

There are three primary types of detention facilities described in this section: detention ponds, tanks, and vaults. The information presented in this section is organized as follows:

- Section 5.1.1, “Detention Ponds”
  - “Design Criteria,” Section 5.1.1.1
  - “Methods of Analysis,” Section 5.1.1.2
- Section 5.1.2, “Detention Tanks”
  - “Design Criteria,” Section 5.1.2.1
  - “Methods of Analysis,” Section 5.1.2.2
- Section 5.1.3, “Detention Vaults”
  - “Design Criteria,” Section 5.1.3.1
  - “Methods of Analysis,” Section 5.1.3.2
- Section 5.1.4, “Control Structures”
  - “Design Criteria,” Section 5.1.4.1
  - “Methods of Analysis,” Section 5.1.4.2
- Section 5.1.5, “Parking Lot Detention”
- Section 5.1.6, “Roof Detention”
- Section 5.1.7, “Simple Detention Pond for Cleared Areas”
  - “Design Criteria,” Section 5.1.7.1
  - “Methods of Analysis,” Section 5.1.7.2

### 5.1.1 DETENTION PONDS

Open ponds are the most desirable detention facilities for controlling runoff from developed areas. The design criteria in Section 5.1.1.1 are for detention ponds. However, many of the criteria also apply to infiltration ponds (Section 5.2.2), and water quality wetponds and combined detention/wetponds (Section 6.4).

#### **Dam Safety Compliance**

Detention ponds and other open impoundment facilities must comply with requirements for dam safety (WAC 173-175). Under current regulations (as of February 2012), if the impoundment has a storage capacity (including both water and sediment storage volumes) greater than 10 acre-feet above natural ground level and a dam height of more than 6 feet, then dam safety design and review are required by the Washington State Department of Ecology (*Ecology*). If the storage capacity is less than 10 acre-feet above natural ground level, then the facility is exempt from Ecology review. If the dam height is less than 6 feet but capacity is greater than 10 acre-feet, then Ecology reviews on a case-by-case-basis to determine the hazard potential downstream in the event of a failure.

### 5.1.1.1 DESIGN CRITERIA

Schematic representations of **detention ponds** are shown in Figure 5.1.1.A through Figure 5.1.1.D. Control structure details are described in Section 5.1.4.

#### General

1. Ponds must be designed as **flow-through systems** (however, parking lot storage may be utilized through a back-up system; see Section 5.1.5). Developed flows must enter through a conveyance system separate from the control structure and outflow conveyance system. Maximizing distance between the inlet and outlet is encouraged to promote sedimentation.
2. **Pond bottoms shall be level** and be located a minimum of 0.5 feet below the inlet and outlet to provide sediment storage.
3. Outflow **control structures** shall be designed as specified in Section 5.1.4.
4. Detention ponds preceding required water quality treatment facilities must meet the liner requirements described in Section 6.2.4 (Facility Liners) to ensure groundwater protection.
5. A geotechnical analysis and report is required if located within 200 feet of a **steep slope hazard area** or **landslide hazard** OR if the facility is located within a setback distance from top of slope equal to the total vertical height of the slope area that is steeper than 15%. The geotechnical analysis must consider cumulative impacts from the project and surrounding areas under full built-out conditions.
6. The perimeter of all new flow control and/or water quality treatment facilities shall be landscaped in accordance with RMC 4-4-070 and Section 5.1.

#### Side Slopes

1. **Side slopes** (interior and exterior) shall be no steeper than 3H:1V.
2. Pond walls may be **vertical retaining walls**, provided: (a) they are constructed of reinforced concrete per Section 5.1.3; (b) a fence is provided along the top of the wall; (c) at least 25% of the pond perimeter will be a vegetated soil slope not steeper than 3H:1V; and (d) the design is stamped by a licensed structural **civil engineer**.

#### Embankments

1. Pond berm embankments higher than 6 feet shall require **design by a geotechnical engineer**.
2. For berm embankments 6 feet or less, the **minimum top width** shall be 6 feet, or as recommended by a geotechnical engineer.
3. Pond berm embankments must be **constructed on native consolidated soil** (or adequately compacted and stable fill soils analyzed by a geotechnical engineer) free of loose surface soil materials, roots, and other organic debris.
4. Pond berm embankments greater than 4 feet in height must be **constructed by excavating a key** equal to 50% of the berm embankment cross-sectional height and width. This requirement may be waived if specifically recommended by a geotechnical engineer.
5. The berm embankment shall be **constructed of soil** placed in 6-inch lifts **compacted** to at least 95% of maximum dry density, within 2 percentage points of the optimum moisture content, modified proctor method ASTM D1557. Density tests shall be performed for each lift to confirm compliance with this specification. The soil used for construction shall have the following soil characteristics: a minimum of 20% silt and clay, a maximum of 60% sand, a maximum of 60% silt and clay, with nominal gravel and cobble content. *Note: In general, excavated glacial till is well suited for berm embankment material.*
6. **Anti-seepage collars** must be placed on outflow pipes in berm embankments impounding water greater than 8 feet in depth at the design water surface.



## Overflow

1. In all ponds, tanks, and vaults, a **primary overflow** (usually a riser pipe within the control structure; see Section 5.1.4.2) must be provided to bypass the 100-year, 15-minute developed peak flow over or around the restrictor system. This assumes the facility will be full due to plugged orifices or high inflows; the primary overflow is intended to protect against breaching of a pond embankment (or overflows of the upstream conveyance system, in the case of a detention tank or vault). The design must provide controlled discharge directly into the downstream conveyance system or another acceptable discharge point.
2. A **secondary inlet** to the control structure must be provided in ponds as additional protection against overtopping should the inlet pipe to the control structure become plugged. A grated opening (“jailhouse window”) in the control structure manhole functions as a weir (see schematic representation in Figure 5.1.1.B) when used as a secondary inlet. *Note: The maximum circumferential length of this opening shall not exceed one-half the control structure circumference.* A “birdcage” overflow structure as shown in the schematic representation in Figure 5.1.1.C may also be used as a secondary inlet.

## Emergency Overflow Spillway

1. In addition to the above overflow requirements, ponds must have an emergency overflow spillway **sized to pass the 100-year, 15-minute developed peak flow** in the event of total control structure failure (e.g., blockage of the control structure outlet pipe) or extreme inflows. Emergency overflow spillways are intended to control the location of pond overtopping and direct overflows back into the downstream conveyance system or other acceptable discharge point.
2. Emergency overflow spillways must be provided for **ponds with constructed berms over 2 feet in height**, or for **ponds located on grades in excess of 5%**. As an option for ponds with berms less than 2 feet in height and located at grades less than 5%, emergency overflow may be provided by an **emergency overflow structure**, such as a Type II manhole fitted with a birdcage as shown in the schematic representation in Figure 5.1.1.C. The emergency overflow structure must be designed to pass the 100-year developed peak flow, with a minimum 6 inches of freeboard, directly to the downstream conveyance system or another acceptable discharge point. Where an emergency overflow spillway would discharge to a slope steeper than 15%, consideration should be given to providing an emergency overflow structure *in addition to* the spillway.
3. The emergency overflow spillway shall be **armored** in conformance with Table 4.2.2.A. The spillway shall be armored full width, beginning at a point midway across the berm embankment and extending downstream to where emergency overflows re-enter the conveyance system (see Figure 5.1.1.B).
4. Design of emergency overflow spillways requires the analysis of a broad-crested trapezoidal weir as described in Section 5.1.1.2. Either one of the weir sections shown in the schematic representations in Figure 5.1.1.B may be used.

## Access Requirements

1. **Maintenance access road(s)** shall be provided to the control structure and other drainage structures associated with the pond (e.g., inlet, emergency overflow or bypass structures). Manhole and catch basin lids must be in or at the edge of the access road and at least three feet from a property line. Rims shall be set at the access road grade.
2. An **access ramp** is required for removal of sediment with a trackhoe and truck. The ramp must extend to the pond bottom if the pond bottom is greater than 1,500 square feet (measured without the ramp) and it may end at an elevation 4 feet above the pond bottom, if the pond bottom is less than 1,500 square feet (measured without the ramp), provided the pond side slopes are 3H:1V or flatter.
3. **Intent:** On large, deep ponds, truck access to the pond bottom via an access ramp is necessary so loading can be done in the pond bottom. On small deep ponds, the truck can remain on the ramp for

loading. On small shallow ponds, a ramp to the bottom may not be required if the trackhoe can load a truck parked at the pond edge or on the internal berm of a wetpond or combined pond (trackhoes can negotiate interior pond side slopes).

4. The **internal berm** of a wetpond or combined detention and wetpond may be used for access if it is no more than 4 feet above the first wetpool cell, if the first wetpool cell is less than 1500 square feet (bottom area measured without the ramp), and if it is designed to support a loaded truck, considering the berm is normally submerged and saturated.
5. **Access ramps** shall meet the requirements for design and construction of access roads specified below.
6. All control structures shall have round, solid **locking lids** with  $\frac{5}{8}$ -inch diameter Allen head cap screws (see the *City of Renton Standard Details*).
7. Access shall be limited by a double-posted gate if a fence is required, or by **bollards**. Bollards shall be designed in accordance with the *City of Renton Standard Details*.

### Design of Access Roads

Access roads shall meet the following design criteria:

1. **Maximum grade** shall be 15% for asphalt paving and 12% for gravel or modular grid paving.
2. Outside **turning radius** shall be 40 feet, minimum.
3. **Fence gates** shall be located only on straight sections of road.
4. Access roads shall be 15 feet in **width** on curves and 12 feet on straight sections.
5. A **paved apron** shall be provided where access roads connect to paved public roadways. The apron shall be consistent with driveway details in the *City of Renton Standard Details*.

### Construction of Access Roads

Access roads shall be constructed with an asphalt, concrete or gravel surface, or modular grid pavement. Access roads must conform to the *City of Renton Standard Details* for residential or rural minor access streets. Modular grid pavement shall meet manufacturer's specifications. Where access roads pass over emergency overflow spillways, a HMA wearing course is required (see Figure 5.1.1.B).

### Fencing

1. All ponds and other similar facilities, as determined by the City, shall be fenced. On stormwater facilities to be maintained by the City, a fence shall be placed **at the top of the berm** with the maintenance access road in the inside of the fence; or **5 feet minimum from the top of berm** if there is no maintenance access road allowing proper maintenance access of the facility.
2. Fences shall be 6 feet in **height**. For example designs, see WSDOT Standard Plan L-2, Type 1 or Type 3 chain link fence.
3. **Access road gates** shall be 16 feet in width consisting of two swinging sections 8 feet in width. Additional vehicular access gates may be required as needed to facilitate maintenance access.
4. **Pedestrian access gates** (if needed) shall be 4 feet in width.
5. **Fence material** shall be black or green bonded vinyl chain link. The following apply:
  - a) **Vinyl coating** shall be compatible with the surrounding environment (e.g., green in open, grassy areas and black or brown in wooded areas). All posts, cross bars, and gates shall be coated the same color as the vinyl clad fence fabric.
  - b) **Fence posts and rails** shall conform to WSDOT Standard Plan L-2 for Types 1, 3, or 4 chain link fence.

6. **Metal baluster fences** are allowed where the fence will be owned and maintained by a private property owner or homeowners association. Fence maintenance requirements shall be a condition of subdivision approval, and a statement detailing maintenance responsibility of the fence will be placed in the final plat. Uniform Building Code standards shall apply.
7. **Wood fences are allowed** in subdivisions where the fence will be owned and maintained by a private property owner or homeowners association. Fence maintenance requirements shall be a condition of subdivision approval, and a statement detailing maintenance responsibility of the fence will be placed in the final plat.
8. Wood fences shall have **pressure treated<sup>1</sup> posts** (ground contact rated) either set in 24-inch deep concrete footings or attached to footings by steel brackets. Rails and fence boards shall be cedar.

### Signage

Detention ponds, infiltration ponds, wetponds, and combined ponds to be maintained by the City shall have a sign placed for maximum visibility from adjacent streets, sidewalks, and paths. The sign shall meet the design and installation requirements illustrated in the *City of Renton Standard Details*. The fence gate must be posted with a 12 inch by 18 inch “No Trespassing” sign, unless otherwise approved by the City.

### Right-of-Way

1. Open detention ponds shall not be located in dedicated public road right-of-way.
2. Detention ponds to be maintained by the City, along with the perimeter landscaping shall be in a stormwater tract granted and conveyed with all maintenance obligations (excluding maintenance of the drainage facilities contained therein) to the property owners. Each property lot owner within the subdivision shall have an equal and undivided interest in the maintenance of the stormwater tract and landscaping features. Any tract not abutting public right-of-way will require a 15-foot-wide extension of the tract to an acceptable access location. An underlying easement under and upon said tract shall be dedicated to the City for the purpose of operating, maintaining, improving and repairing the drainage facilities contain therein.
3. Detention ponds to be maintained by a private property owner or homeowners association shall create stormwater facilities within a private tract or easement or construct the detention pond onsite.

### Setbacks

1. A setback of 5 feet from the **toe of the exterior slope**, retaining walls and rockeries to the tract or property line is required for City-maintained ponds and recommended for privately maintained ponds.
2. The tract or property line on a detention pond cut slope shall be setback 5 feet from the **emergency overflow water surface**.
3. The detention pond water surface at the pond outlet invert elevation shall be setback 100 feet from **proposed or existing septic system drainfields**. This setback may be reduced with written approval of the Public Health – Seattle & King County.
4. The detention pond design water surface shall be a minimum of 200 feet from any **steep slope hazard area or landslide hazard**. Upon analysis and approval of a licensed geotechnical engineer or engineering geologist, this setback may be reduced to 50 feet. The geotechnical analysis must consider cumulative impacts from the project and surrounding areas under full built- out conditions.
5. The detention pond design water surface shall be set back a minimum distance from top of slope equal to the total vertical height of a slope area that is steeper than 15%. Upon analysis and approval of a licensed geotechnical engineer or engineering geologist, this setback may be reduced to 50 feet. The geotechnical analysis must consider cumulative impacts from the project and surrounding areas under full built- out conditions.

<sup>1</sup> Fence posts represent a rare exception to the rule of no treated lumber. Ground contact requires pressure treatment.

## Seeps and Springs

Intermittent seeps along cut slopes are typically fed by a shallow groundwater source (interflow) flowing along a relatively impermeable soil stratum. These flows are storm driven and should discontinue after a few weeks of dry weather. The approved continuous runoff model accounts for this shallow groundwater component and no special provisions are needed when directing these flows through the flow control facility. However, more continuous seeps and springs, which extend through longer dry periods, are likely from a deeper groundwater source. When continuous flows are intercepted and directed through flow control facilities, adjustments to the approved facility design may be required to account for the additional base flow (unless already considered in design). If uncertain at the time of construction, the situation may be monitored while the facility is under maintenance and defect financial guarantee. Adjustments to the facility may be required prior to the release of the financial guarantee.

## Planting Requirements

Exposed earth on the pond bottom and interior side slopes shall be planted or seeded with an appropriate seed mixture. All remaining areas of the tract must either be planted with grass, or be landscaped in accordance with the standards below and mulched with a 4-inch cover of hog fuel or shredded wood mulch.<sup>2</sup>

## Landscaping

Landscaping is not optional; it is required on all stormwater/landscaping tracts. Landscaping is required in those areas of the tract that will not impact the functionality or maintenance of the drainage facilities. For stormwater ponds to be maintained by the City, landscaping inside the fence shall be planted with grass, low-growing shrubs, or groundcovers that are no- to low-maintenance and do not impede other facility maintenance activities (as required in Section 5.1). Landscaping maintained by the City and comprised of species other than grass is subject to City approval. Landscaping inside the fence is allowed for storm water facilities to be privately maintained provided that the landscaping complies with the requirements of RMC 4-4-070F8, Storm Drainage Facilities.

The following requirements shall apply:

1. **No trees or shrubs may be planted within 10 feet of inlet or outlet pipes** or manmade drainage structures such as catch basins, spillways or flow spreaders. Species with roots that seek water, such as willow or poplar, should be avoided within 30 feet of pipes or manmade structures.
2. **Planting is restricted on berms that impound water** either permanently or temporarily during storms. If the pond is City-maintained, then landscaping with trees and large shrubs that may compromise berm integrity are prohibited in the inside slope of the pond and trees are prohibited on any drainage-related berms.

- a) Trees or tall shrubs may not be planted on portions of water-impounding berms taller than four feet high. Only grasses and low-growing shrubs or groundcovers may be planted on berms taller than four feet.

**Intent:** Grasses and low-growing groundcovers allow unobstructed visibility of berm slopes for detecting potential dam safety problems such as animal burrows, slumping, or fractures in the berm.

- b) Trees planted on portions of water-impounding berms less than 4 feet high must be small, not higher than 20 feet mature height, and have a fibrous root system. Table 5.1.1.A gives some examples of trees with these characteristics.

**Intent:** These trees reduce the likelihood of blow-down trees, or the possibility of channeling or piping of water through the root system, which may contribute to dam failure on berms that retain water.

---

<sup>2</sup> Shredded wood mulch is made from shredded tree trimmings, usually from trees cleared onsite. It must be free of garbage and weeds and may not contain excessive resin, tannin, or other material detrimental to plant growth.

3. All landscape material, including grass, must be **planted in good topsoil**. Native underlying soils may be made suitable for planting if amended with 2 inches of mature and stable compost tilled into the top six inches of soil. Compost used should meet specifications in Reference Section 11-C.
4. Soil in which **trees or shrubs** are planted may require additional enrichment or additional compost top-dressing. Consult a landscape professional or arborist for site-specific recommendations.
5. For a naturalistic effect as well as ease of maintenance, trees or shrubs must be **planted in clumps** to form “*landscape islands*” rather than evenly spaced.
6. The **landscaped islands** must be planted above the 100-year water surface and must be a minimum of six feet apart, and if set back from fences or other barriers, the setback distance must also be a minimum of six feet. Where tree foliage extends low to the ground, the six feet of setback should be counted from the outer drip line of the trees (estimated at maturity).

**Intent:** This landscape design must allow a 6-foot wide mower to pass around and between clumps.

7. Evergreen trees and trees that produce relatively little leaf-fall such as Oregon ash, Cascara, or Western crabapple are preferred. Large-leaf deciduous trees may not be planted where branches could extend over interior pond slopes.
8. All trees shall be set back so branches do not extend over the 100-year water surface of the pond to prevent leaf-drop into the water.
9. Drought tolerant species are recommended.
10. Landscape areas within the tracts of City-maintained ponds in residential subdivision developments shall be designated “to be maintained by the homeowner’s association.”
11. For ponds to be maintained by the City, landscaping with trees or large shrubs is not allowed inside the fence.

<b>TABLE 5.1.1.A SMALL TREES AND SHRUBS WITH FIBROUS ROOTS</b>	
<b>Small Trees/High Shrubs</b>	<b>Low Shrubs</b>
*Red twig dogwood ( <i>Cornus stolonifera</i> )	*Snowberry ( <i>Symphoricarpus albus</i> )
*Serviceberry ( <i>Amelanchier alnifolia</i> )	*Salmonberry ( <i>Rubus spectabilis</i> )
Strawberry tree ( <i>Arbutus unedo</i> )	<i>Rosa rugosa</i> (avoid spreading varieties)
Highbush cranberry ( <i>Vaccinium opulus</i> )	Rock rose ( <i>Cistus</i> spp.)
Blueberry ( <i>Vaccinium</i> spp.)	<i>Ceanothus</i> spp. (choose hardier varieties)
*Filbert ( <i>Corylus cornuta</i> , others)	New Zealand flax ( <i>Phormium tenax</i> )
Fruit trees on dwarf rootstock	
<i>Rhododendron</i> (native and ornamental varieties)	Ornamental grasses (e.g., <i>Miscanthus</i> , <i>Pennisetum</i> )
*Native species.	

### Guidelines for Naturalistic Planting

Two generic kinds of naturalistic planting are outlined below, but other options are also possible. A booklet discussing stormwater ponds and landscaping possibilities is available at the King County Water and Land Resources Division that can be consulted for additional ideas. Native vegetation is preferred in naturalistic plantings.

*Note: These landscaping criteria must be followed unless a landscape professional judges that long-term quality of the open space would be improved by deviating from the criteria, AND that if the facility is maintained by the City, maintenance would not be made more difficult by the deviations.*

### Open Woodland

In addition to the general landscaping criteria above, the following requirements must be met:

1. Landscaped islands (when mature) should cover a minimum of 30% or more of the tract, exclusive of the pond area.
2. Tree clumps should be underplanted with shade-tolerant shrubs and groundcover plants. The goal is to provide a dense understory that need not be weeded or mowed.
3. Landscaped islands should be placed at several elevations rather than “ring” the pond, and the size of clumps should vary from small to large to create variety.
4. Not all islands need have trees. Shrub or groundcover clumps are acceptable, but lack of shade should be considered in selecting vegetation.

*Note: Landscaped islands are best combined with the use of hog fuel or shredded wood mulch for erosion control (only for slopes above the flow control water surface). It is often difficult to sustain a low-maintenance understory if the area was previously hydroseeded.*

### Northwest Savannah or Meadow

In addition to the general landscape criteria above, the following requirements must be met:

1. Landscape islands (when mature) should cover 10% or more of the tract, exclusive of the pond area.
2. Planting groundcovers and understory shrubs is encouraged to eliminate the need for mowing under the trees when they are young.
3. Landscape islands should be placed at several elevations rather than “ring” the pond.
4. The remaining tract area should be planted with an appropriate grass seed mix, which may include northwest meadow or wildflower species. Native or dwarf grass mixes are preferred. below gives one acceptable dwarf grass mix. Grass or meadow seed should be applied at a rate of 80 to 100 seeds per square foot. Actual pounds of seed mix per acre will depend on specific species composition. *Note: Amended soil or good topsoil is required for all plantings.*

*Creation of areas of emergent vegetation in shallow areas of the pond is recommended. Native wetland plants, such as sedges (Carex sp.), bulrush (Scirpus sp.), water plantain (Alisma sp.), and burreed (Sparganium sp.) are recommended. If the pond does not hold standing water, a clump of wet-tolerant, non-invasive shrubs, such as salmonberry or snowberry, is recommended below the detention design water surface. Note: This landscape style is best combined with the use of grass for site stabilization and erosion control.*

Table 5.1.1.B lists a mix for stormwater tracts and other intermittently wet areas that should be applied at a rate of 31 pounds of pure live seed per acre.

TABLE 5.1.1.B STORMWATER TRACT SEED MIX.		
Common Name	Species	Percent Species Composition
American sloughgrass	<i>Beckmannia syzigachne</i>	15%
Tufted hairgrass	<i>Deschampsia cespitosa</i>	20%
Blue wildrye	<i>Elymus glaucus</i>	18%
Native red fescue	<i>Festuca rubra var. rubra</i>	20%
Meadow barley	<i>Hordeum brachyantherum</i>	12%
Northwestern mannagrass	<i>Glyceria occidentalis</i>	15%

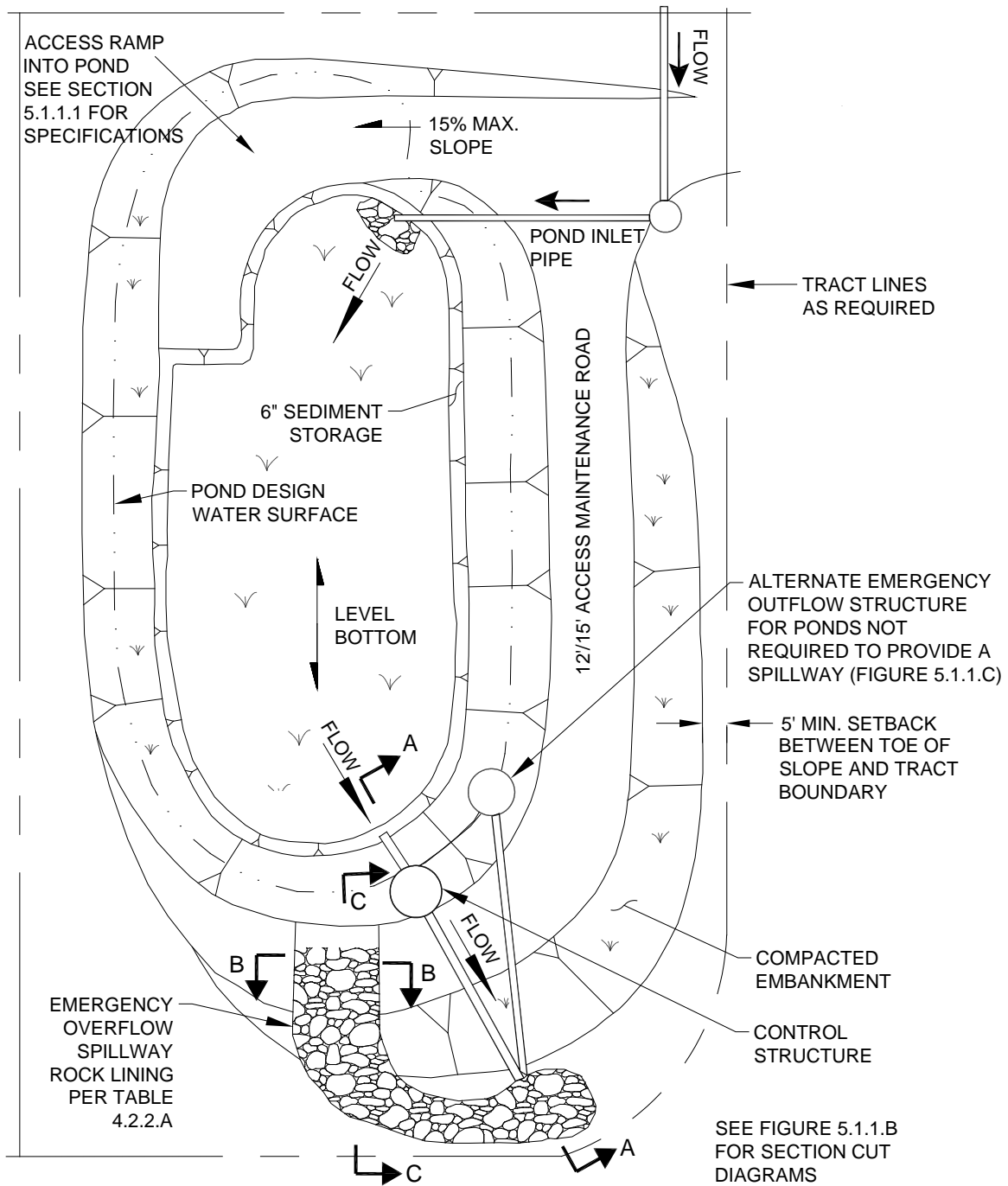
Table 5.1.1.C lists a recommended mix for landscaping seed and should be applied at 19 pounds of pure live seed per acre.

<b>TABLE 5.1.1.C LANDSCAPING SEED MIX.</b>		
<b>Common Name</b>	<b>Species</b>	<b>Percent Species Composition</b>
Sideoats grama	<i>Bouteloua curtipendula</i>	20%
California oatgrass	<i>Danthonia californica</i>	20%
Native red fescue	<i>Festuca rubra var. rubra</i>	30%
Prairie Junegrass	<i>Koeleria macrantha</i>	30%

Table 5.1.1.D lists a turf seed mix that should be applied at a rate of 10 pounds of pure live seed per acre. This mix is for use in dry situations where there is no need for watering. This mix requires very little maintenance.

<b>TABLE 5.1.1.D LOW-GROWING TURF SEED MIX.</b>		
<b>Common Name</b>	<b>Species</b>	<b>Percent Species Composition</b>
Hard fescue	<i>Festuca brevipila</i>	25%
Sheep fescue	<i>Festuca ovina</i>	30%
Native red fescue	<i>Festuca rubra var. rubra</i>	25%
Prairie Junegrass	<i>Koeleria macrantha</i>	20%

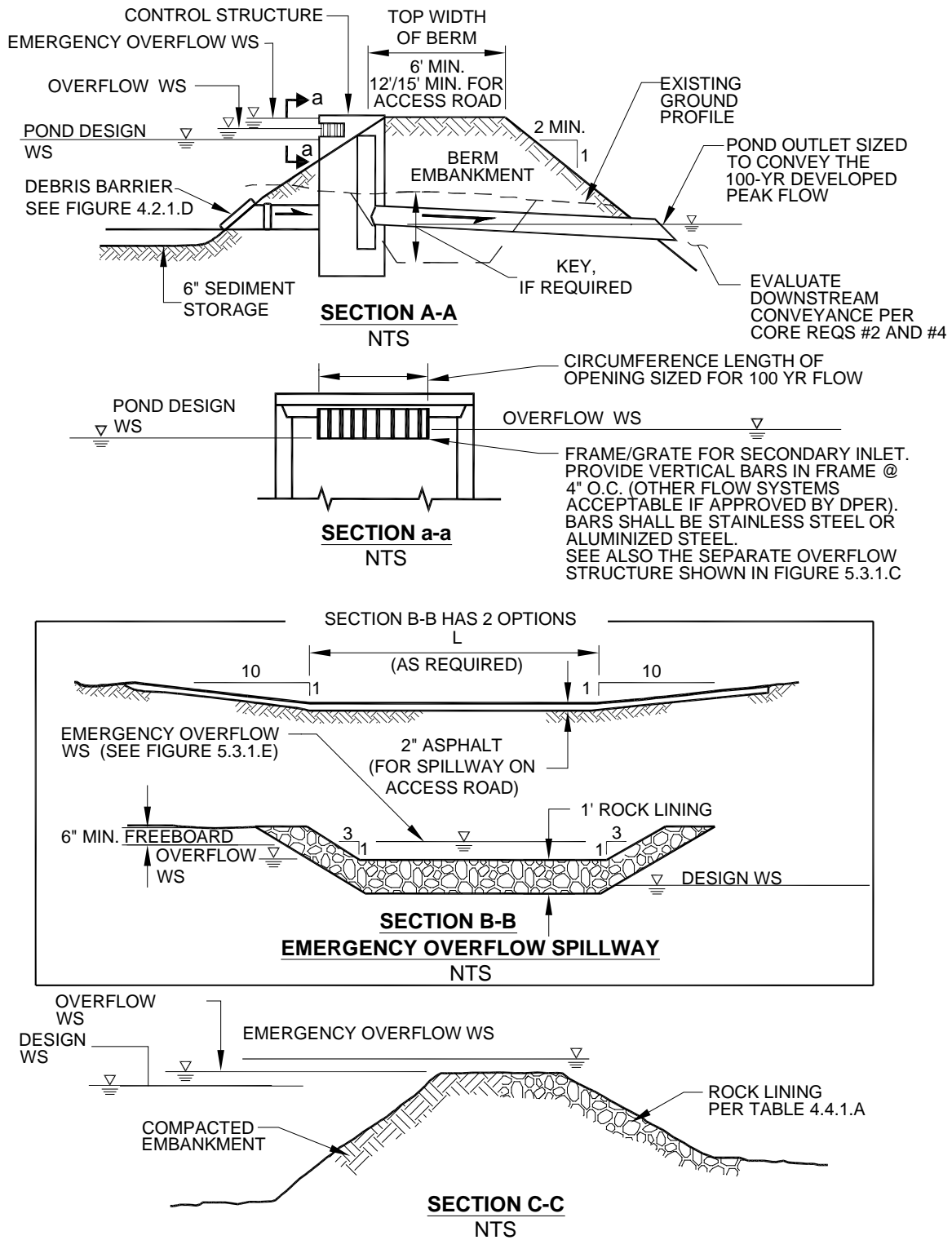
**FIGURE 5.1.1.A TYPICAL SCHEMATIC REPRESENTATION OF A DETENTION POND**

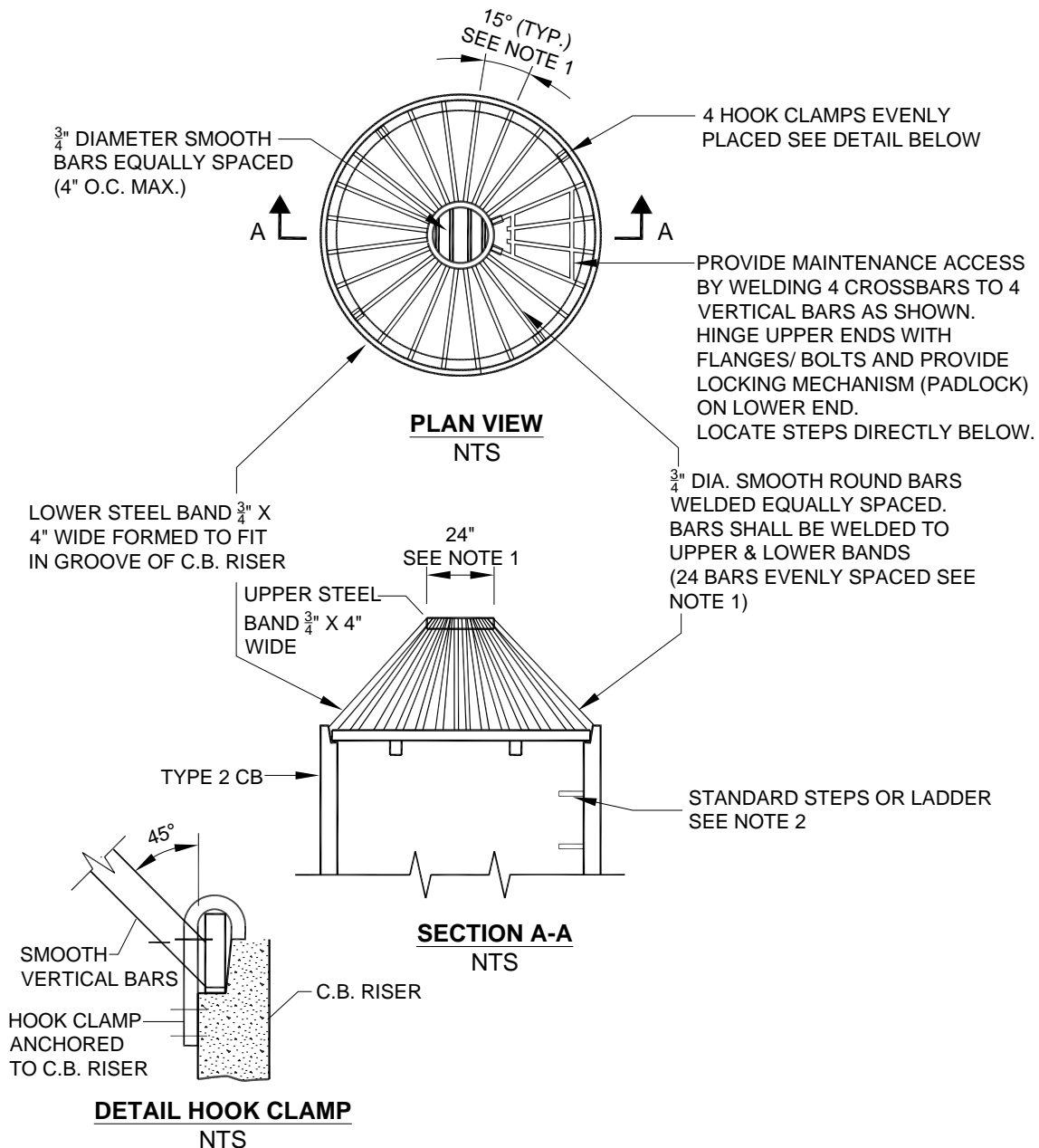


**NOTE:**  
 THIS DETAIL IS A SCHEMATIC REPRESENTATION ONLY. ACTUAL CONFIGURATION WILL VARY DEPENDING ON SPECIFIC SITE CONSTRAINTS AND APPLICABLE DESIGN CRITERIA.



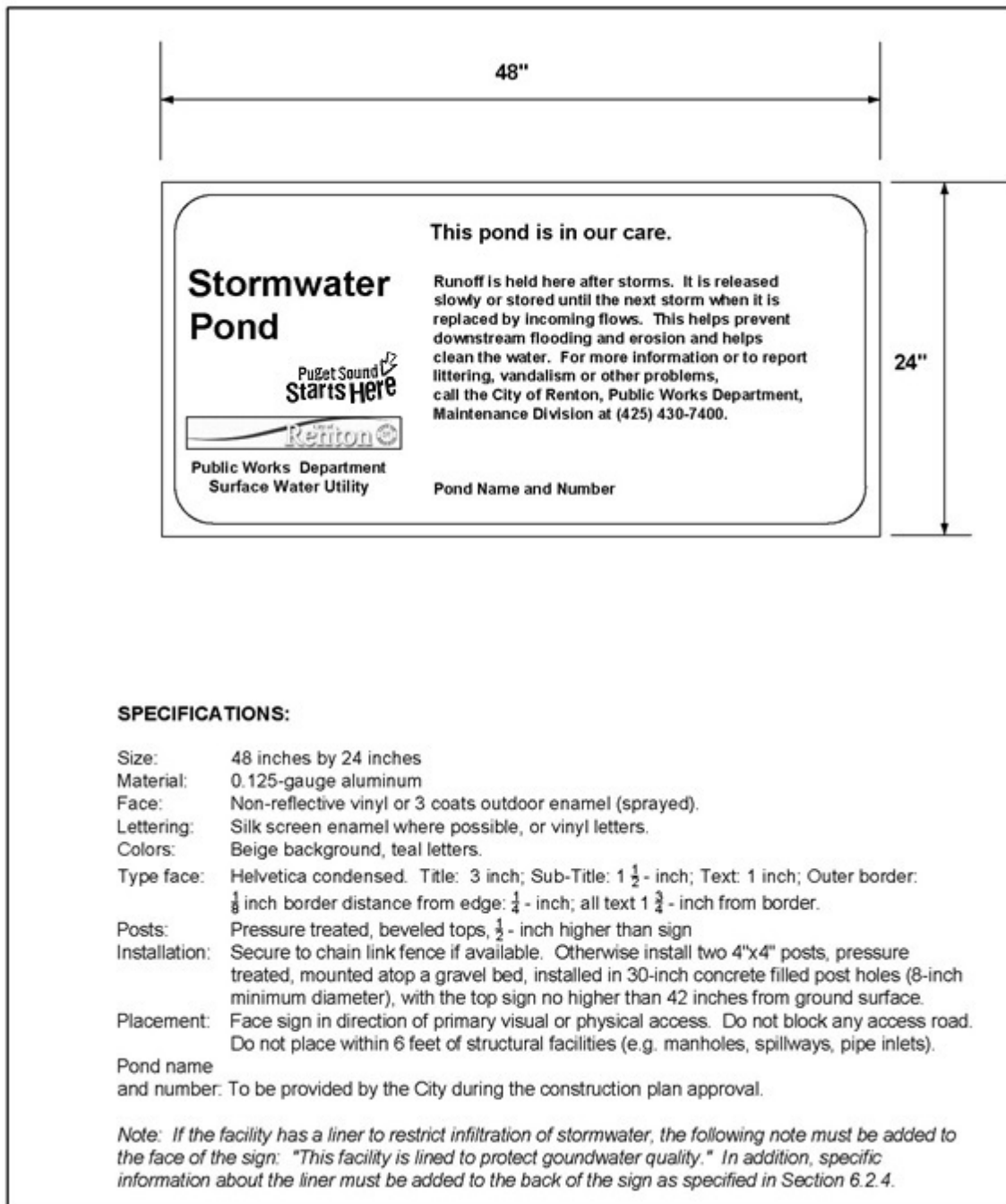
**FIGURE 5.1.1.B TYPICAL SCHEMATIC REPRESENTATION OF DETENTION POND SECTIONS**



**FIGURE 5.1.1.C SCHEMATIC REPRESENTATION OF AN OVERFLOW STRUCTURE****NOTES:**

1. DIMENSIONS ARE FOR ILLUSTRATION ON 54" DIAMETER CB. FOR DIFFERENT DIAMETER CB'S ADJUST TO MAINTAIN 45° ANGLE ON "VERTICAL" BARS AND 7" O.C. MAXIMUM SPACING OF BARS AROUND LOWER STEEL BAND.
2. METAL PARTS MUST BE CORROSION RESISTANT; BARS MUST BE STAINLESS STEEL OR ALUMINIZED STEEL.
3. THIS DEBRIS BARRIER IS ALSO RECOMMENDED FOR USE ON THE INLET TO ROADWAY CROSS-CULVERTS WITH HIGH POTENTIAL FOR DEBRIS COLLECTION (EXCEPT ON TYPE 2 STREAMS).
4. THIS DEBRIS BARRIER IS FOR USE OUTSIDE OF ROAD RIGHT-OF-WAY ONLY. FOR DEBRIS CAGES WITHIN ROAD RIGHT-OF-WAY, SEE KCRDCS DRAWING NO. 7-028.

FIGURE 5.1.1.D PERMANENT SURFACE WATER CONTROL POND SIGN



### 5.1.1.2 METHODS OF ANALYSIS

#### Detention Volume and Outflow

The volume and outflow design for detention ponds shall be in accordance with the performance requirements in Chapter 1 and the hydrologic analysis and design methods in Chapter 3. Restrictor orifice structure design shall comply with Section 5.1.4. *Note: The **design water surface elevation** is the highest elevation that occurs in order to meet the required outflow performance for the pond.*

#### Detention Ponds in Infiltrative Soils

Detention ponds may occasionally be sited on till soils that otherwise meet the basic criteria of “**sufficient permeable soil**” for a properly functioning infiltration system (see Section 5.2.1). These detention ponds have a surface discharge and may also utilize infiltration as a second pond outflow. Detention ponds sized with infiltration as a second outflow must meet all the requirements of Section 5.2 for infiltration ponds, including a soils report, performance testing, groundwater protection, presettling, and construction techniques. Detention ponds are not allowed in *Zone 1 of the Aquifer Protection Area*.

#### Emergency Overflow Spillway Capacity

The emergency overflow spillway weir section shall be designed to pass the 100-year runoff event for developed conditions assuming a broad-crested weir. The **broad-crested weir equation** for the spillway section in Figure 5.1.1.E, for example, would be:

$$Q_{100} = C (2g)^{1/2} [^{2/3} LH^{3/2} + ^{8/15} (\text{Tan } \theta) H^{5/2}] \quad (5-1)$$

where

- $Q_{100}$  = peak flow for the 100-year runoff event (cfs)
- $C$  = discharge coefficient (0.6)
- $g$  = gravity (32.2 ft/sec<sup>2</sup>)
- $L$  = length of weir (ft)
- $H$  = height of water over weir (ft)
- $\theta$  = angle of side slopes

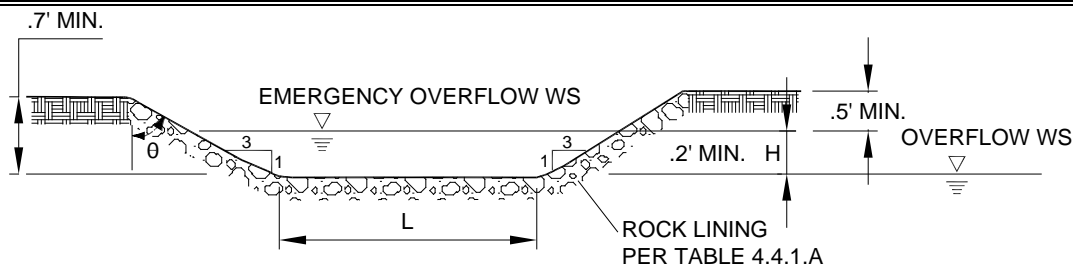
Assuming  $C = 0.6$  and  $\text{Tan } \theta = 3$  (for 3H:1V slopes), the equation becomes:

$$Q_{100} = 3.21 (LH^{3/2} + 2.4 H^{5/2}) \quad (5-2)$$

To find width  $L$  for the weir section, the equation is rearranged to use the computed  $Q_{100}$  and trial values of  $H$  (0.2 feet minimum):

$$L = [Q_{100} / (3.21 H^{3/2})] - 2.4 H \quad \text{or} \quad 6 \text{ feet minimum} \quad (5-3)$$

**FIGURE 5.1.1.E SCHEMATIC REPRESENTATION OF A WEIR SECTION FOR EMERGENCY OVERFLOW SPILLWAY**



## 5.1.2 DETENTION TANKS

*Detention tanks* are underground storage facilities typically constructed with large diameter corrugated metal pipe. Schematic representations of detention tanks are shown in Figure 5.1.2.A and Figure 5.1.2.B. Schematic representations of control structures are shown in Section 5.1.4.

### 5.1.2.1 DESIGN CRITERIA

#### General

1. Tanks shall be designed as **flow-through systems with manholes in line** (see Figure 5.1.2.A) to promote sediment removal and facilitate maintenance.

**Exception:** Tanks may be designed as **back-up systems** if preceded by water quality facilities since little sediment should reach the inlet/control structure and low head losses can be expected because of the proximity of the inlet/control structure to the tank.

2. The detention tank bottom shall be located a minimum of 0.5 feet below the inlet and outlet to provide dead storage for sediment.
3. The **minimum pipe diameter** allowed for a detention tank is 36 inches.
4. Tanks larger than 36 inches may be connected to each adjoining structure with a short section (2-foot maximum length) of 36-inch minimum diameter pipe.
5. Outflow **control structures** shall be as detailed in Section 5.1.4.

*Note: Control and access manholes shall have additional ladder rungs to allow ready access to all tank access pipes when the catch basin sump is filled with water (see Figure 5.1.4.A, plan view).*

#### Materials

Pipe material, joints, and protective treatment for tanks shall be in accordance with Sections 7.04 and 9.05 of the *WSDOT/APWA Standard Specification* as modified by the *City of Renton Standard Details* and AASHTO designations. Such materials include the following:

- Lined corrugated polyethylene pipe (LCPE)
- Aluminized Type 2 corrugated steel pipe and pipe arch (meets AASHTO designations M274 and M36)
- Corrugated or spiral rib aluminum pipe and pipe arch
- Reinforced concrete pipe
- Narrow concrete vaults (see Section 5.1.3).
- Corrugated steel pipe and pipe arch, Aluminized or Galvanized<sup>3</sup> with treatments 1, 2 or 5
- Spiral rib steel pipe, Aluminized or Galvanized<sup>3</sup> with treatments 1, 2 or 5
- Structural plate pipe and pipe arch, Aluminized or Galvanized<sup>3</sup> with treatments 1, 2 or 5

#### Structural Stability

Tanks shall meet structural requirements for overburden support, buoyancy, and traffic loading if appropriate. H-20 live loads must be accommodated for tanks lying under parking areas, roadways, and access roads. Metal tank end plates must be designed for structural stability at maximum hydrostatic loading conditions. Flat end plates generally require thicker gage material than the pipe and/or require reinforcing ribs.

<sup>3</sup> Galvanized metals leach zinc into the environment, especially in standing water situations. High zinc concentrations, sometimes in the range that can be toxic to aquatic life, have been observed in the region. Therefore, use of galvanized materials should be avoided. Where other metals, such as aluminum or stainless steel, or plastics are available, they shall be used. If these materials are not available, asphalt coated galvanized materials may then be used.

Tanks shall be placed on stable, well consolidated native material with a suitable bedding. Backfill shall be placed and compacted in accordance with the pipe specifications in Chapter 4. Tanks made of LCPE require inspection for deformation prior to installation as well as continuous inspection of backfilling to one foot above the top of the tank. Tanks shall not be allowed in fill slopes, unless analyzed in a geotechnical report for stability and constructability.

### **Buoyancy**

In moderately pervious soils where seasonal groundwater may induce flotation, buoyancy tendencies must be balanced either by ballasting with backfill or concrete backfill, providing concrete anchors, increasing the total weight, or providing subsurface drains to permanently lower the groundwater table. Calculations must be submitted that demonstrate stability.

### **Access Requirements**

1. The **maximum depth** from finished grade to tank invert shall be 20 feet.
2. **Access openings** shall be positioned a maximum of 50 feet from any location within the tank.
3. All tank access openings shall have round, solid **locking lids** with  $\frac{5}{8}$ -inch diameter Allen head cap screws (see *City of Renton Standard Details*).
4. Thirty-six-inch minimum diameter **CMP riser-type manholes** (Figure 5.1.2.B) of the same gage as the tank material may be used for access along the length of the tank and at the upstream terminus of the tank if a backup system. The top slab is separated (1-inch minimum gap) from the top of the riser to allow for deflections from vehicle loadings without damaging the riser tank.
5. All tank access openings must be readily **accessible by maintenance vehicles**.

### **Access Roads**

Access roads are required to all detention tank control structures and risers. The access roads shall be designed and constructed **as specified for detention ponds** in Section 5.1.1.

### **Right-of-Way**

Detention tanks to be maintained by the City shall be located in a stormwater tract granted and converted with all maintenance obligations (excluding maintenance of drainage facilities contained therein) to the homeowners association. If perimeter landscaping is required within the stormwater tract, then said tract shall be owned by the lot owners within the subdivision. Each lot owner shall have equal and undivided interest on the plat. Any tract not abutting public right-of-way will require a 15-foot wide extension of the tract to an acceptable access location. An underlying easement under and upon said tract shall be dedicated to the City for the purpose of operating, maintaining, improving and repairing the drainage facilities contain therein. The stormwater tract must be owned by the homeowners association. Each lot owner within the subdivision shall have an equal and undivided interest in the maintenance of the stormwater tract. Detention tanks to be maintained by a private property owner or homeowners association shall create stormwater facilities within a private tract or easement or construct the detention tank onsite.

### **Setbacks**

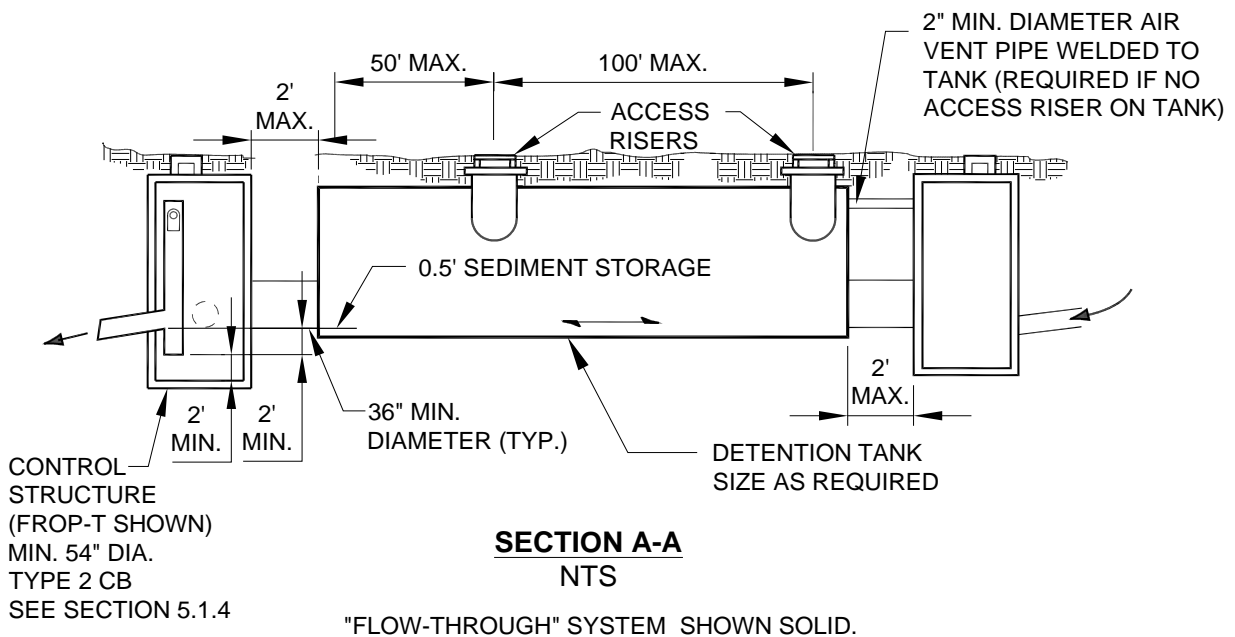
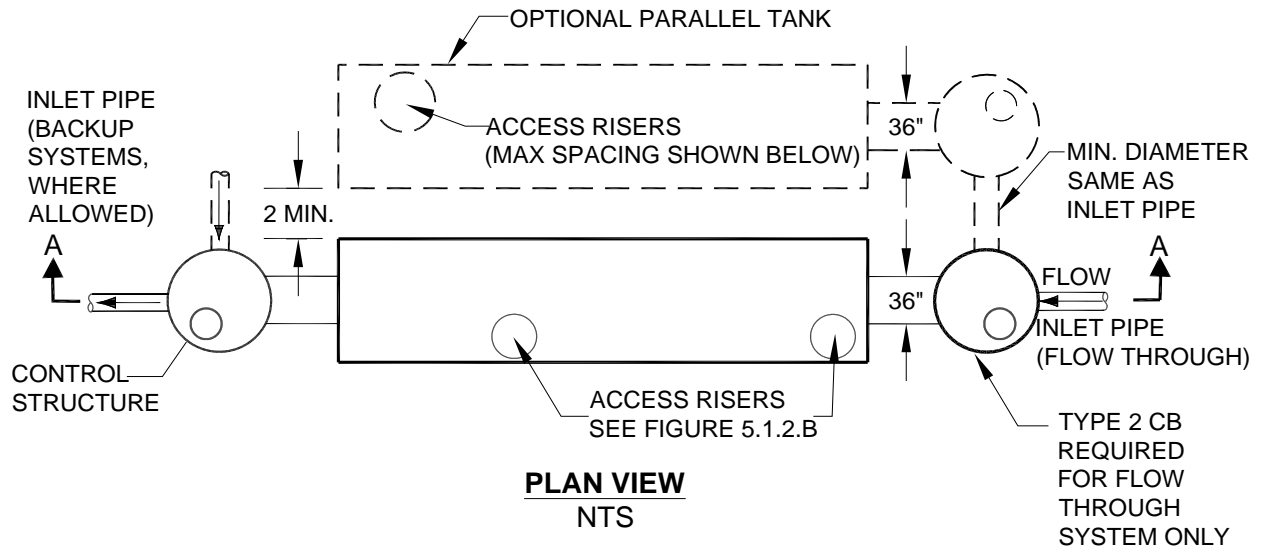
Setbacks (easement/tract width) and building setback lines (BSBLs) for tanks shall be the same as for pipes (see Section 4.1).

## **5.1.2.2 METHODS OF ANALYSIS**

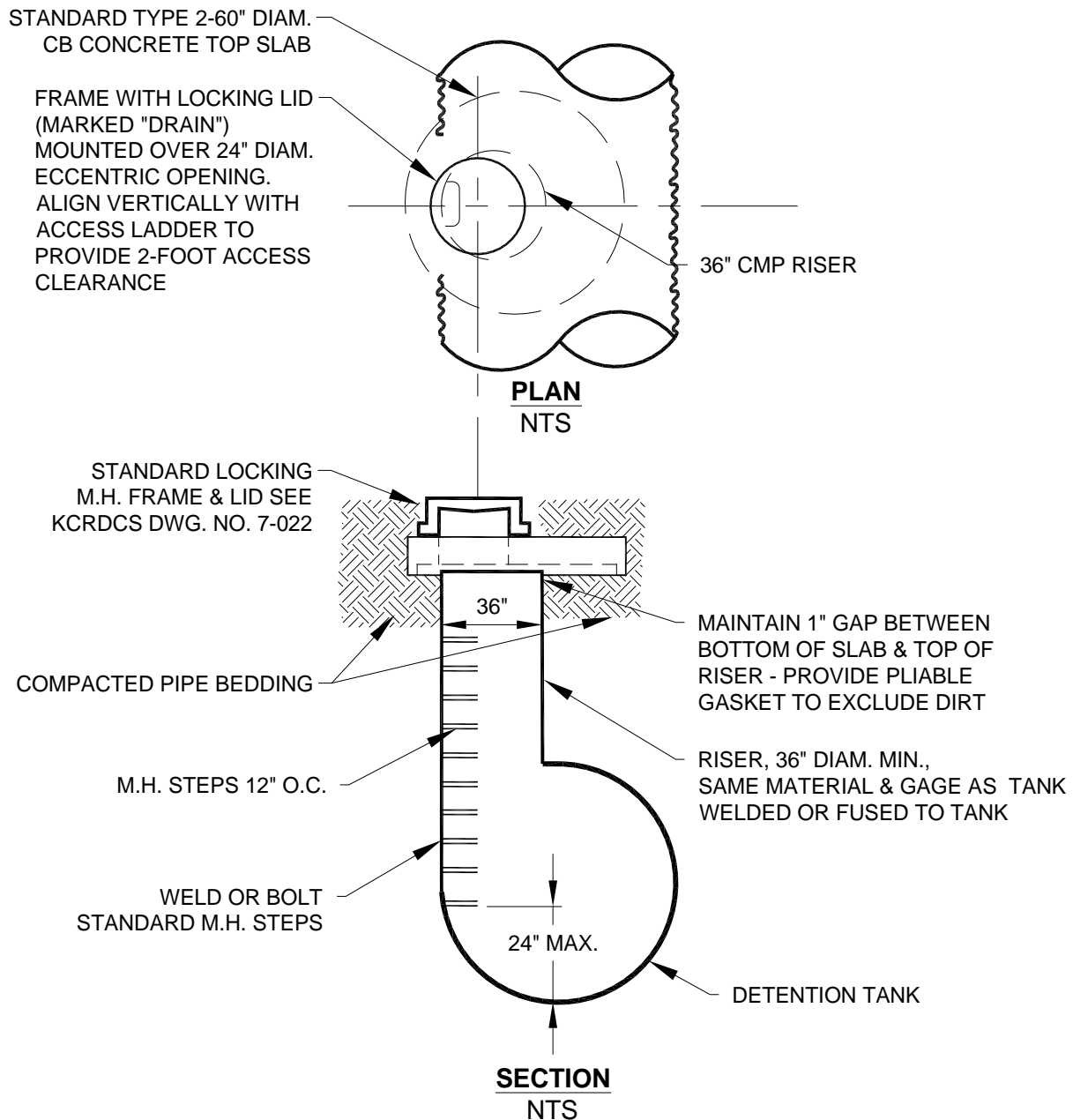
### **Detention Volume and Outflow**

The volume and outflow design for **detention tanks** shall be in accordance with the performance requirements in Chapter 1 and the hydrologic analysis and design methods in Chapter 3. Restrictor and orifice design shall be according to Section 5.1.4.

**FIGURE 5.1.2.A SCHEMATIC REPRESENTATION OF A TYPICAL DETENTION TANK**



**NOTES:**  
ALL METAL PARTS CORROSION RESISTANT. STEEL PARTS STAINLESS STEEL OR ALUMINIZED STEEL, EXCEPT TANK MAY BE GALVANIZED AND ASPHALT COATED (TREATMENT 1 OR BETTER).

**FIGURE 5.1.2.B SCHEMATIC REPRESENTATION OF A DETENTION TANK ACCESS DETAIL****NOTES:**

1. USE ADJUSTING BLOCKS AS REQUIRED TO BRING FRAME TO GUIDE.
2. ALL MATERIALS TO BE ALUMINUM OR GALVANIZED AND ASPHALT COATED (TREATMENT 1 OR BETTER), OR STAINLESS STEEL OR ALUMINIZED STEEL.
3. MUST BE LOCATED FOR ACCESS BY MAINTENANCE VEHICLES.
4. MAY SUBSTITUTE WSDOT SPECIAL TYPE IV MANHOLE (RCP ONLY).



## 5.1.3 DETENTION VAULTS

*Detention vaults* are box-shaped underground storage facilities typically constructed with reinforced concrete. A schematic representation of a detention vault is shown in Figure 5.1.3.A. Schematic representations of a control structures are shown in Section 5.1.4.

### 5.1.3.1 DESIGN CRITERIA

#### General

1. Detention vaults shall be designed as **flow-through systems** with bottoms level (longitudinally) or sloped toward the inlet to facilitate sediment removal. Distance between the inlet and outlet shall be maximized (as feasible).
2. The detention **vault bottom** shall slope at least 5% from each side towards the center, forming a broad “v” to facilitate sediment removal.

*Note: More than one “v” may be used to minimize vault depth.*

**Exception:** The vault bottom may be flat if **removable panels** are provided over the entire vault. Removable panels shall be at grade, have stainless steel lifting eyes, and weigh no more than 5 tons per panel.

3. The **invert elevation of the outlet** shall be elevated above the bottom of the vault to provide an average 6 inches of sediment storage over the entire bottom. The outlet must also be elevated a minimum of 2 feet above the orifice to retain oil within the vault.
4. The outflow system and restrictor device shall be designed according to the applicable requirements specified for **control structures** in Section 5.1.4.

#### Materials

Minimum 3,000 psi structural reinforced concrete must be used for all detention vaults. All construction joints must be provided with water stops.

#### Structural Stability

All vaults shall meet structural requirements for overburden support, buoyancy, and H-20 traffic loading. Cast-in-place wall sections shall be designed as retaining walls. Structural designs for vaults must be stamped by a licensed structural engineer unless otherwise approved by the City. Vaults shall be placed on stable, well-consolidated native material with suitable bedding. Vaults shall not be allowed in fill slopes, unless analyzed in a geotechnical report for stability and constructability.

#### Access Requirements

1. **Access** consisting of a frame, grate and locking cover shall be provided over the inlet pipe and outlet structure and located in a manner to allow visual inspection. Access openings over control structures shall meet a minimum 2 ft. offset to any portion of the FROP-T as shown in Figure 5.1.4.A. Access openings shall be positioned a maximum of 50 feet from any location within the vault; additional access points may be required on large vaults. If more than one “v” is provided in the vault floor, access to each “v” must be provided.
2. For vaults with **greater than 1250 square feet of floor area**, a 5' by 10' removable, locking panel shall be provided. Alternatively, a separate access vault may be provided as shown in Figure 5.1.3.A.
3. For **vaults under roadways**, the removable panel must be located outside the travel lanes. Alternatively, multiple standard locking manhole covers (see *City of Renton Standard Details*) may be provided. Spacing of manhole covers shall be 12 feet, measured on center, to facilitate removal of sediment. Ladders and hand-holds need only be provided at the outlet pipe and inlet pipe, and as needed to meet OSHA confined space requirements. Vaults providing manhole access at 12-foot spacing need not provide corner ventilation pipes as specified in Item 9 below.

4. All **access openings**, except those covered by removable panels, shall have round, solid **locking covers** (see *City of Renton Standard Details*), or 3-foot square, locking diamond plate covers. For raised openings where the depth from the iron cover to the top of the vault exceeds 24 inches, an access structure equivalent to a Type 2 catch basin or Type 1 manhole shall be used (see *City of Renton Standard Details*). The opening in the vault lid need not exceed 24 inches in diameter.
5. Vaults with widths 10 feet or less must have **removable lids**.
6. The **maximum depth** from finished grade to the vault invert shall be 20 feet.
7. **Internal structural walls** of large vaults shall be provided with openings sufficient for maintenance access between cells. The openings shall be sized and situated to allow access to the maintenance “v” in the vault floor.
8. The **minimum internal height** shall be 7 feet from the highest point of the vault floor (not sump), and the **minimum width** shall be 4 feet.

**Exceptions:**

- Concrete vaults may be a minimum 3 feet in height and width **if used as tanks** with access manholes at each end, and if the width is no larger than the height.
  - The minimum internal height requirement may be waived for any areas covered by removable panels.
9. **Ventilation pipes** (minimum 12-inch diameter or equivalent) shall be provided in all four corners of vaults to allow for artificial ventilation prior to entry of maintenance personnel into the vault. These openings shall be capped or otherwise covered, but designed so that maintenance personnel can remove (and replace) for ventilation purposes as described.

**Access Roads**

Access roads are required to the access panel (if applicable), the control structure, and at least one access point per cell, and they shall be designed and constructed **as specified for detention ponds** in Section 5.1.1.

**Right-of-Way**

Detention vaults to be maintained by the City shall be in a stormwater tract granted and converted with all maintenance obligations (excluding maintenance of drainage facilities contained therein) to the homeowners association. Each lot owner shall have equal and undivided interest on the plat granted and converted with all maintenance obligations (excluding maintenance of drainage facilities contained therein) to the homeowners association. Any tract not abutting public right-of-way will require a 15-foot-wide extension of the tract to an acceptable access location. An underlying easement under and upon said tract shall be dedicated to the City for the purpose of operating, maintaining, improving and repairing the drainage facilities contain therein. The stormwater tract must be owned by the homeowners association. Each lot owner within the subdivision shall have an equal and undivided interest in the maintenance of the stormwater tract. Detention vaults to be maintained by a private property owner or homeowners association shall create stormwater facilities within a private tract or easement or construct the detention vault onsite.

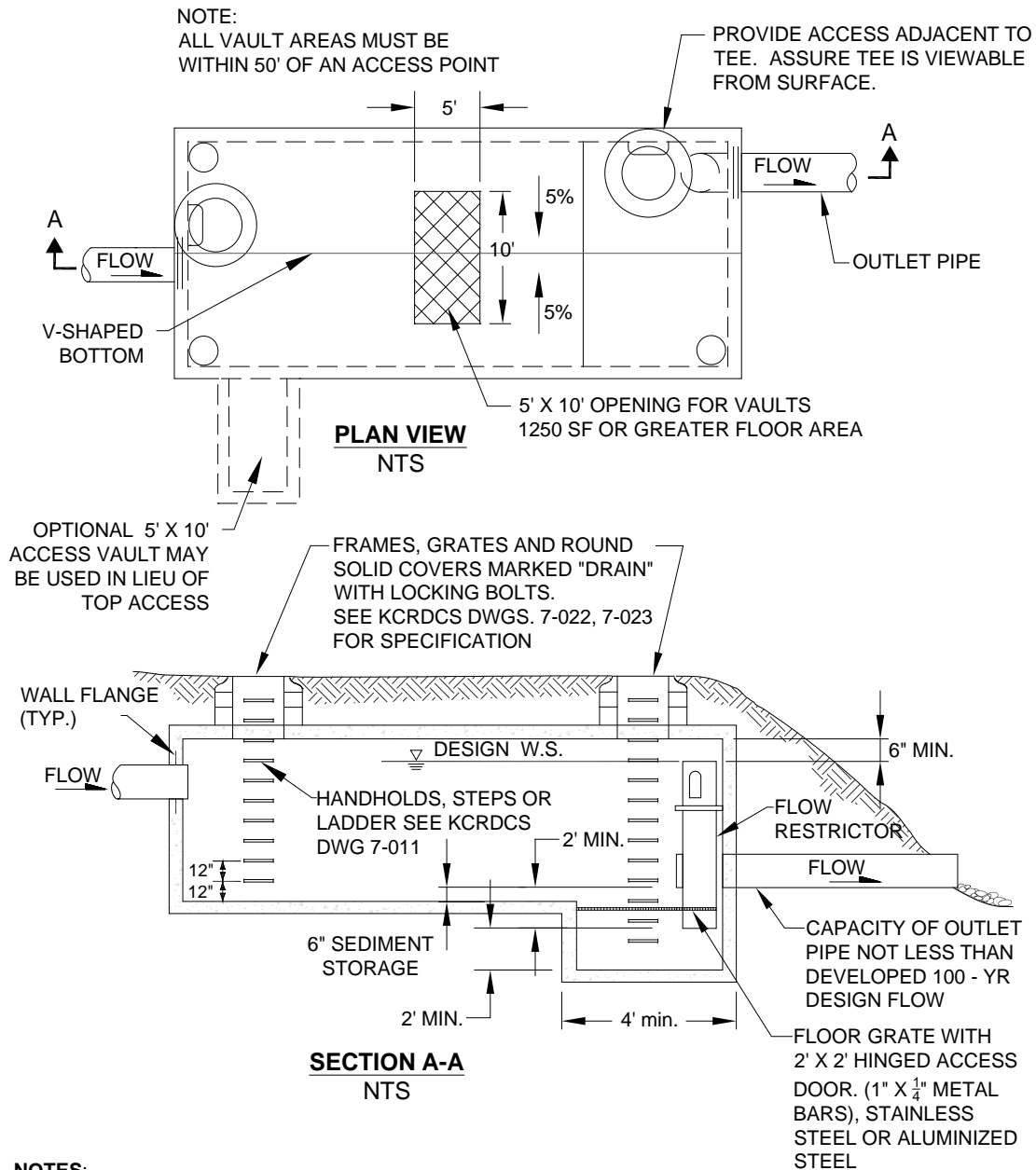
**Setbacks**

Setbacks to tract/easement lines for vaults shall be 5 feet; adjacent building setback lines shall be 10 feet. For privately owned and maintained vaults, building foundations may serve as one or more of the vault walls.

### **5.1.3.2 METHODS OF ANALYSIS**

#### **Detention Volume and Outflow**

The volume and outflow design for detention vaults shall be in accordance with the performance requirements in Chapter 1 and the hydrologic analysis and routing/design methods in Chapter 3. Restrictor and orifice design shall be according to Section 5.1.4.

**FIGURE 5.1.3.A SCHEMATIC REPRESENTATION OF A TYPICAL DETENTION VAULT****NOTES:**

1. ALL METAL PARTS MUST BE CORROSION RESISTANT. STEEL PARTS MUST BE STAINLESS STEEL OR ALUMINIZED STEEL.
2. PROVIDE WATER STOP AT ALL CAST-IN-PLACE CONSTRUCTION JOINTS. PRECAST VAULTS SHALL HAVE APPROVED RUBBER GASKET SYSTEM.
3. VAULTS  $\leq 10'$  WIDE MUST USE REMOVABLE LIDS.
4. PREFABRICATED VAULT SECTIONS MAY REQUIRE STRUCTURAL MODIFICATIONS TO SUPPORT 5' X 10' OPENING OVER MAIN VAULT. ALTERNATIVELY, ACCESS CAN BE PROVIDED VIA A SIDE VESTIBULE AS SHOWN.
5. IF SUMP IS SET BACK FROM WALL, TEE WILL REQUIRE ADDITIONAL 3-POINT BRACING SECURED TO VAULT WALL.

## 5.1.4 CONTROL STRUCTURES

*Control structures* are catch basins or manholes with a restrictor device for controlling outflow from a facility to meet the desired performance. The restrictor device is typically a tee section with an orifice plate welded to the bottom (called a “FROP-T”). To meet performance requirements, one or more elbow sections with orifice plates may need to be mounted on the side of the tee section. The restrictor device may also be a weir section sized to meet performance requirements.

Schematic representations of control structures are shown in Figure 5.1.4.A through Figure 5.1.4.C.

### 5.1.4.1 DESIGN CRITERIA

#### Multiple Orifice Restrictor

In most cases, control structures need only two orifices: one at the bottom and one near the top of the riser, although additional orifices may best utilize detention storage volume. Several orifices may be located at the same elevation if necessary to meet performance requirements.

1. **Minimum orifice diameter is 0.25 inches.** Note: In some instances, a 0.25-inch bottom orifice may be too large to meet target release rates, even with minimal head. In these cases, the live storage depth need not be reduced to less than 3 feet to meet performance.
2. Orifices shall be constructed on a **tee section** as shown in Figure 5.1.4.A or on a baffle as shown in Figure 5.1.4.B.
3. In some cases, performance requirements may require the **top orifice/elbow** to be located too high on the riser to be physically constructed (e.g., a 13-inch diameter orifice positioned 0.5 feet from the top of the riser). In these cases, a notch weir in the riser pipe may be used to meet performance requirements (see Figure 5.1.4.E).
4. Consideration shall be given to the backwater effect of water surface elevations in the downstream conveyance system. **High tailwater elevations** may affect performance of the restrictor system and reduce live storage volumes.

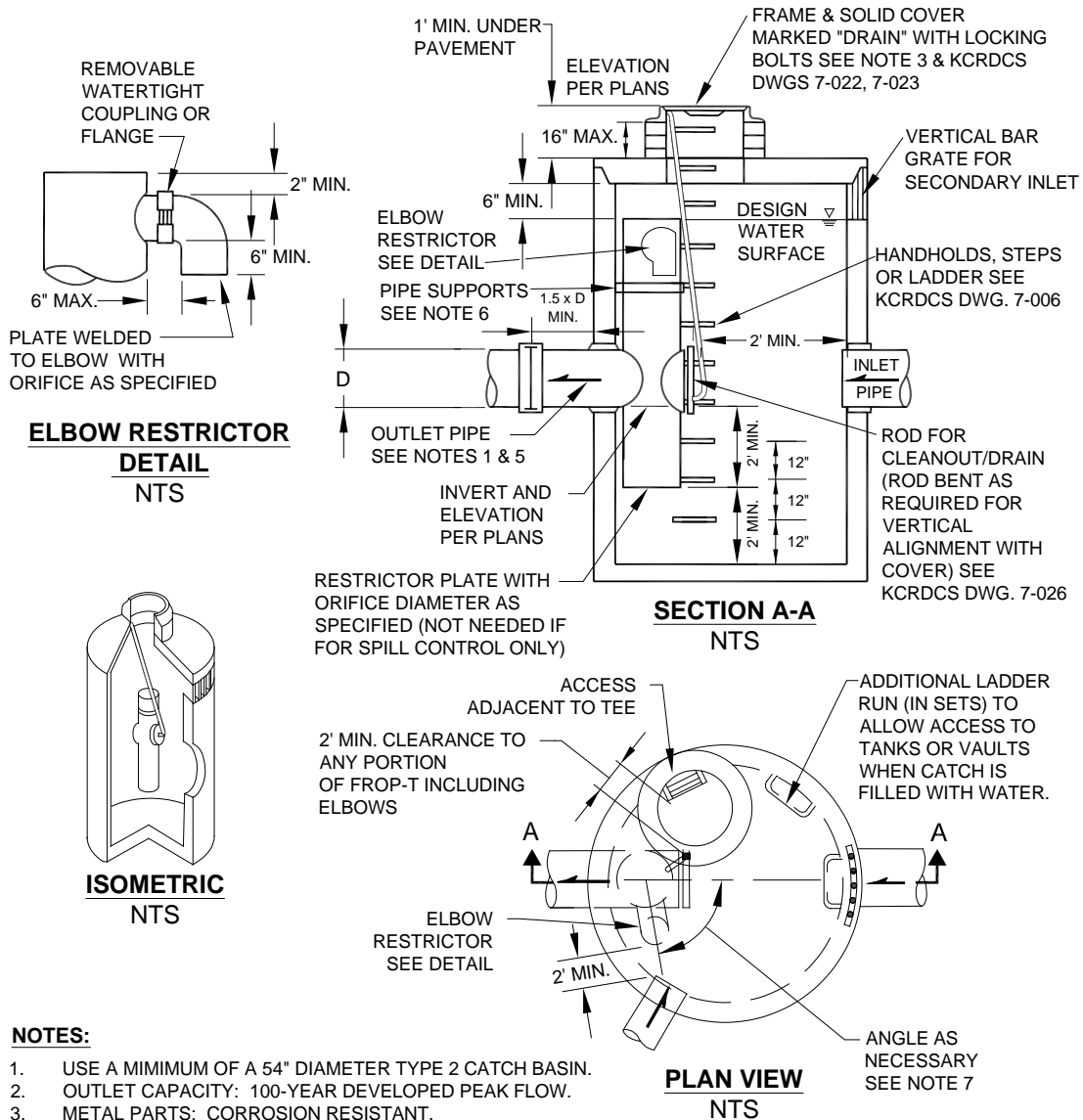
#### Riser and Weir Restrictor

1. Properly designed **weirs may be used as flow restrictors** (see Figure 5.1.4.C and Figure 5.1.4.E through Figure 5.1.4.F). However, they must be designed to provide for primary overflow of the developed 100-year peak flow discharging from the detention facility.
2. The combined orifice and riser (or weir) overflow may be used to meet performance requirements; however, the design must still provide for primary overflow of the developed 100-year peak flow assuming all orifices are plugged. Figure 5.1.4.H may be used to calculate the head in feet above a riser of given diameter and flow.

#### Access Requirements

1. An **access road** to the control structure is required for inspection and maintenance, and shall be designed and constructed **as specified for detention ponds** in Section 5.1.1.
2. **Manhole and catch basin lids** for control structures shall be **locking**, and rim elevations shall match proposed finish grade.
3. The restrictor tee shall be located immediately adjacent to the 2-foot clear zone at a maintenance access ladder. **Intent:** To provide tee visibility from the surface at the access opening, especially where a solid vault lid or solid manhole lid design may block view; to provide maintenance access along the full height of the tee.

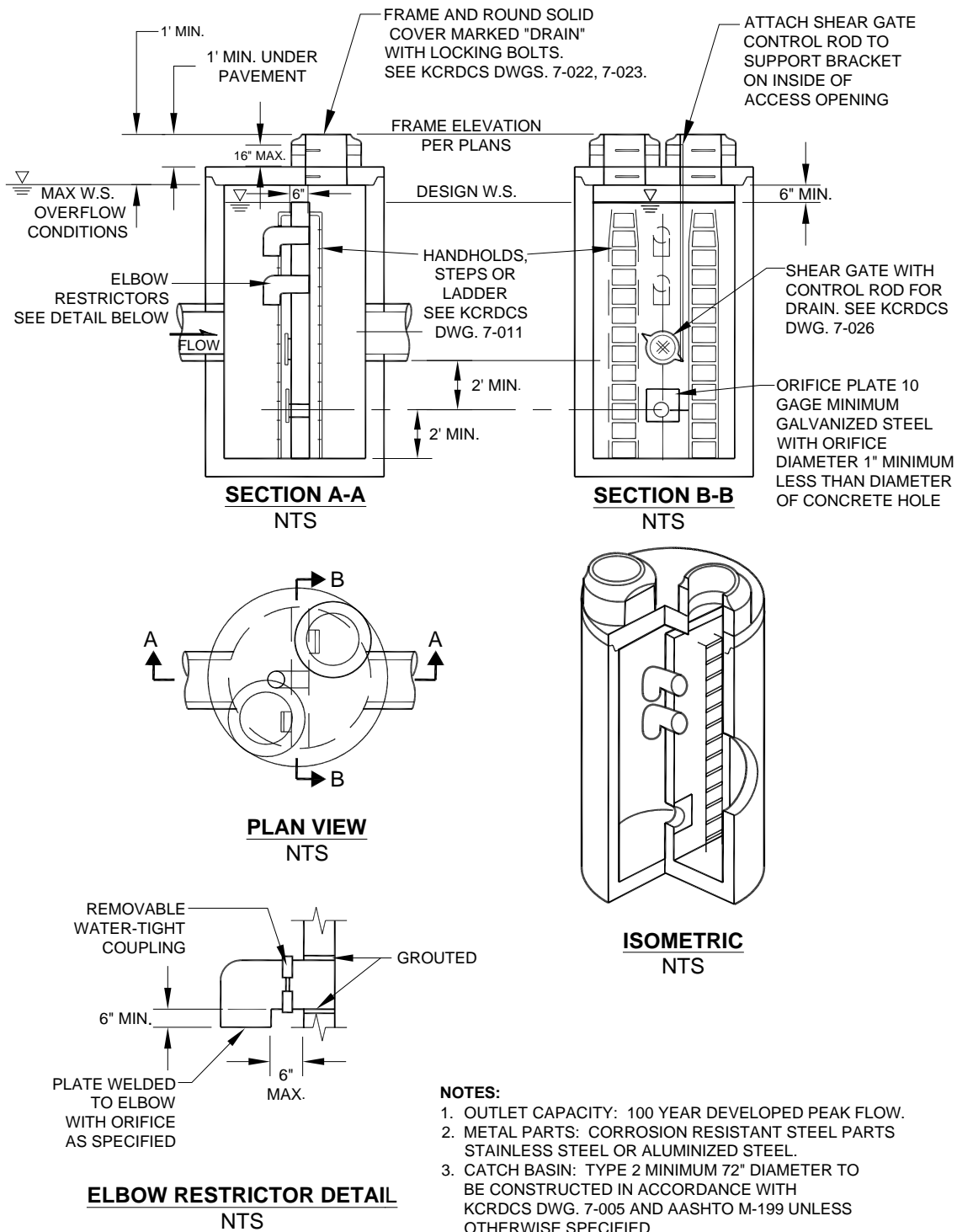
**FIGURE 5.1.4.A SCHEMATIC REPRESENTATION OF A FLOW RESTRICTOR (TEE)**



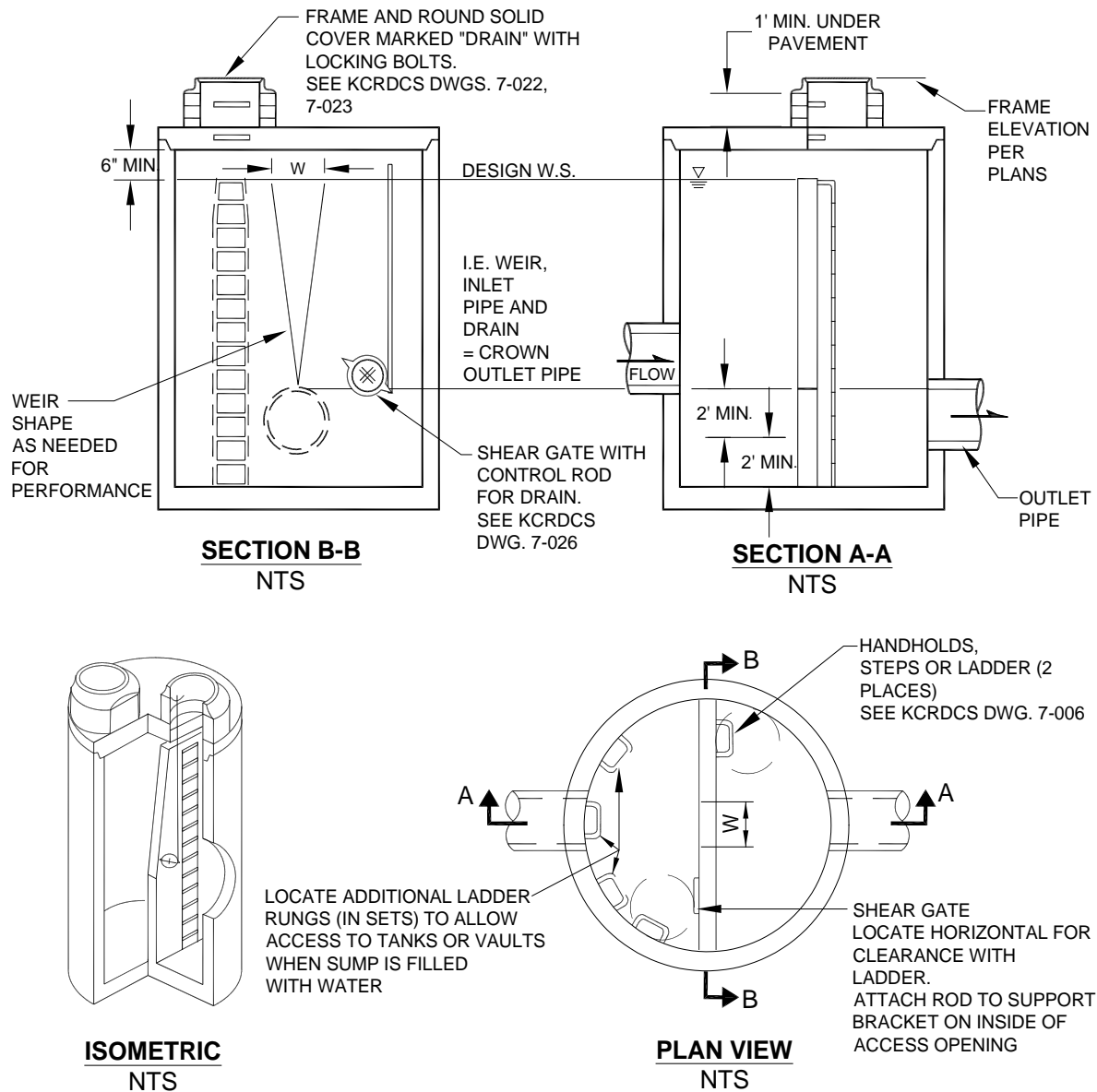
**NOTES:**

1. USE A MINIMUM OF A 54" DIAMETER TYPE 2 CATCH BASIN.
2. OUTLET CAPACITY: 100-YEAR DEVELOPED PEAK FLOW.
3. METAL PARTS: CORROSION RESISTANT. STAINLESS STEEL OR ALUMINIZED STEEL.
4. FRAME AND LADDER OR STEPS OFFSET SO:
  - A. CLEANOUT GATE IS VISIBLE FROM TOP.
  - B. CLIMB-DOWN SPACE IS CLEAR OF RISER AND CLEANOUT GATE.
  - C. FRAME IS CLEAR OF CURB.
5. IF METAL OUTLET PIPE CONNECTS TO CEMENT CONCRETE PIPE: OUTLET PIPE TO HAVE SMOOTH O.D. EQUAL TO CONCRETE PIPE I.D. LESS 1/4".
6. PROVIDE AT LEAST ONE 3" X .090 GAGE SUPPORT BRACKET ANCHORED TO CONCRETE WALL. (MAXIMUM 3'-0" VERTICAL SPACING)
7. LOCATE ELBOW RESTRICTOR(S) AS NECESSARY TO PROVIDE MINIMUM CLEARANCE AS SHOWN.
8. LOCATE ADDITIONAL LADDER RUNGS IN STRUCTURES USED AS ACCESS TO TANKS AND VAULT TO ALLOW ACCESS WHEN CATCH BASIN IS FILLED WITH WATER.
9. TEE SHALL BE CONSTRUCTED OF ALUMINUM CMP OR ALUMINIZED STEEL CMP MEETING WSDOT/APWA STANDARDS.

**FIGURE 5.1.4.B SCHEMATIC REPRESENTATION OF A FLOW RESTRICTOR (BAFFLE)**



**FIGURE 5.1.4.C SCHEMATIC REPRESENTATION OF A FLOW RESTRICTOR (WEIR)**



**NOTES:**

1. OUTLET CAPACITY: 100-YEAR DEVELOPED PEAK FLOW.
2. METAL PARTS: CORROSION RESISTANT STEEL PARTS, STAINLESS STEEL OR ALUMINIZED STEEL.
3. CATCH BASIN: TYPE 2 MIN. 72" DIAMETER TO BE CONSTRUCTED IN ACCORDANCE WITH KCRDCS DWG 7-005 AND AASHTO M-199 UNLESS OTHERWISE SPECIFIED.
4. BAFFLE WALL: TO BE DESIGNED WITH CONCRETE REINFORCING AS REQUIRED.
5. SPILL CONTROL REQUIREMENTS: SEE SECTION 4.2.1 PIPE SYSTEMS - DESIGN CRITERIA, SPILL CONTROL



### 5.1.4.2 METHODS OF ANALYSIS

This section presents the methods and equations for design of **control structure restrictor devices**. Included are details for the design of orifices, rectangular sharp-crested weirs, v-notch weirs, suture weirs, and overflow risers.

#### Orifices

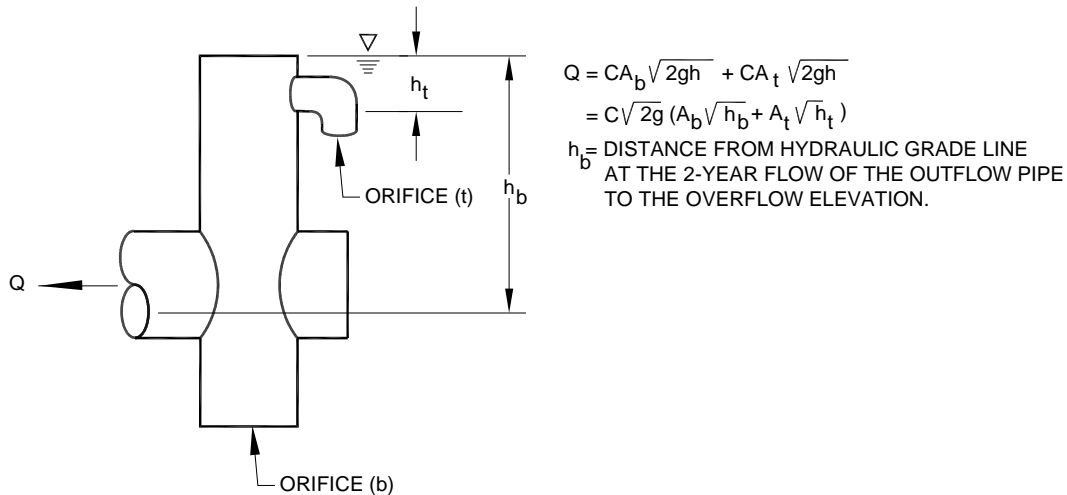
Flow through orifice plates in the standard tee section or turn-down elbow may be approximated by the general equation:

$$Q = CA\sqrt{2gh} \quad (5-4)$$

where  $Q$  = flow (cfs)  
 $C$  = coefficient of discharge (0.62 for plate orifice)  
 $A$  = area of orifice (sf)  
 $h$  = hydraulic head (ft)  
 $g$  = gravity (32.2 ft/sec<sup>2</sup>)

Figure 5.1.4.D illustrates a simplified application of the orifice equation, assuming a water surface at the top of the riser and that the 2-year water surface represents the head in the outlet pipe.

**FIGURE 5.1.4.D SIMPLE ORIFICE**



The diameter of the orifice is calculated from the flow. The orifice equation is often useful when expressed as the orifice diameter in inches:

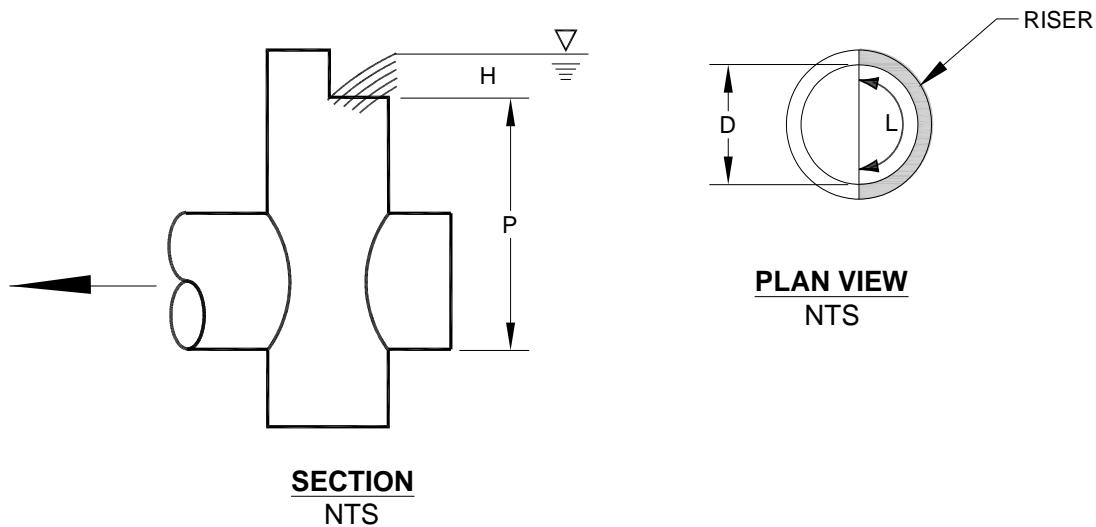
$$d = \sqrt{\frac{36.88Q}{\sqrt{h}}} \quad (5-5)$$

where  $d$  = orifice diameter (inches)  
 $Q$  = flow (cfs)  
 $h$  = hydraulic head (ft)

### Rectangular, Sharp-Crested Weir

The rectangular, sharp-crested weir design shown in Figure 5.1.4.E may be analyzed using standard weir equations for the fully contracted condition.

**FIGURE 5.1.4.E RECTANGULAR, SHARP-CRESTED WEIR**



$$Q = C(L - 0.2H)H^{3/2} \quad (5-6)$$

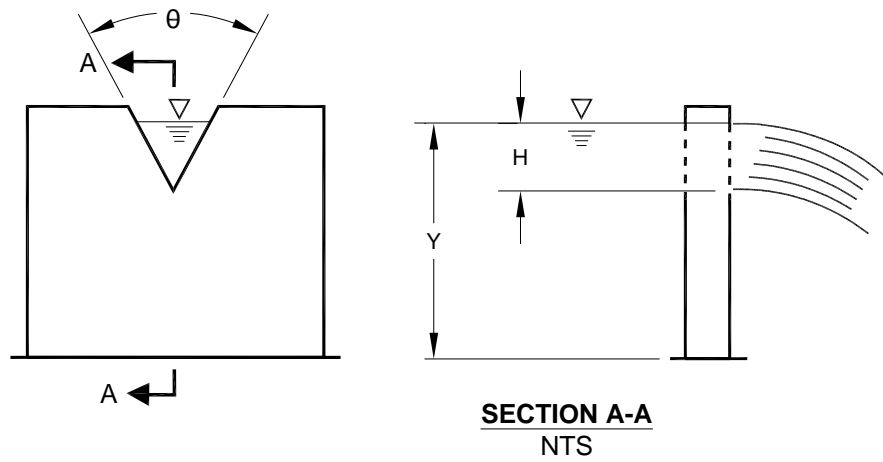
where  $Q$  = flow (cfs)  
 $C = 3.27 + 0.40 H/P$  (ft)  
 $H, P$  are as shown above  
 $L$  = length (ft) of the portion of the riser circumference as necessary not to exceed 50% of the circumference  
 $D$  = inside riser diameter (ft)

*Note that this equation accounts for side contractions by subtracting  $0.1H$  from  $L$  for each side of the notch weir.*

### V-Notch, Sharp-Crested Weir

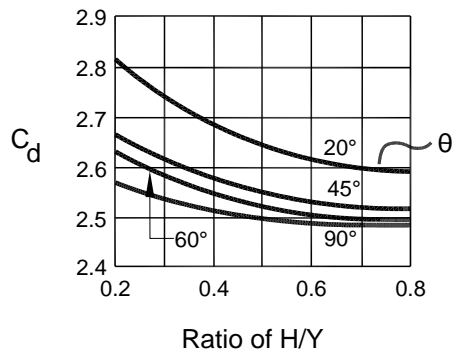
V-notch weirs, as shown in Figure 5.1.4.F, may be analyzed using standard equations for the fully contracted condition.

**FIGURE 5.1.4.F V-NOTCH, SHARP-CRESTED WEIR**



$$Q = C_d \tan(\theta/2) H^{5/2}, \text{ in cfs}$$

Where values of  $C_d$  may be taken from the following chart:

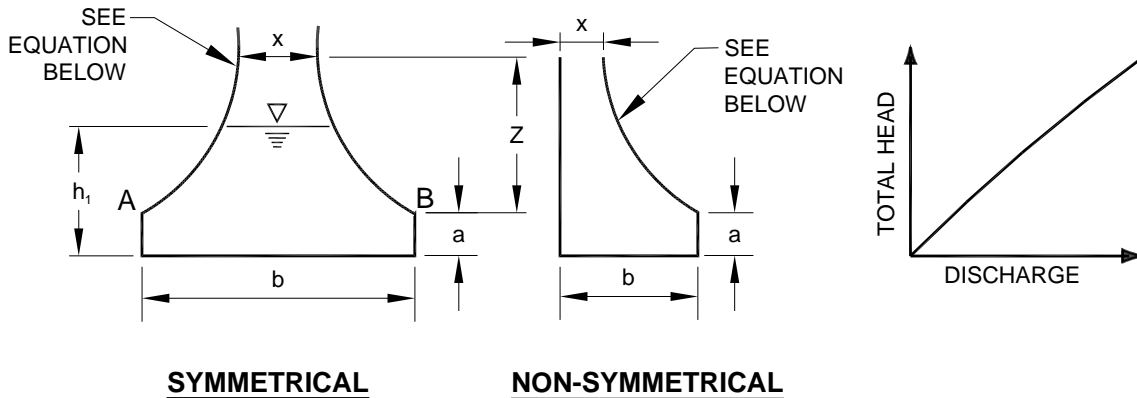


### Proportional or Sutro Weir

Sutro weirs are designed so that the discharge is proportional to the total head. This design may be useful in some cases to meet performance requirements.

The sutro weir consists of a rectangular section joined to a curved portion that provides proportionality for all heads above the line A-B (see Figure 5.1.4.G). The weir may be symmetrical or non-symmetrical.

**FIGURE 5.1.4.G SUTRO WEIR**



For this type of weir, the curved portion is defined by the following equation (calculated in radians):

$$\frac{x}{b} = 1 - \frac{2}{\pi} \tan^{-1} \sqrt{\frac{Z}{a}} \quad (5-7)$$

where  $a$ ,  $b$ ,  $x$  and  $Z$  are as shown in Figure 5.1.4.G. The head-discharge relationship is:

$$Q = C_d b \sqrt{2ag} \left( h_1 - \frac{a}{3} \right) \quad (5-8)$$

Values of  $C_d$  for both symmetrical and non-symmetrical sutro weirs are summarized in Table 5.1.4.A.

*Note: When  $b > 1.50$  or  $a > 0.30$ , use  $C_d = 0.6$ .*

**TABLE 5.1.4.A VALUES OF  $C_D$  FOR SUTRO WEIRS**

<b><math>C_d</math> Values, Symmetrical</b>					
<b><math>a</math> (ft)</b>	<b><math>b</math> (ft)</b>				
	0.50	0.75	1.0	1.25	1.50
0.02	0.608	0.613	0.617	0.6185	0.619
0.05	0.606	0.611	0.615	0.617	0.6175
0.10	0.603	0.608	0.612	0.6135	0.614
0.15	0.601	0.6055	0.610	0.6115	0.612
0.20	0.599	0.604	0.608	0.6095	0.610
0.25	0.598	0.6025	0.6065	0.608	0.6085
0.30	0.597	0.602	0.606	0.6075	0.608

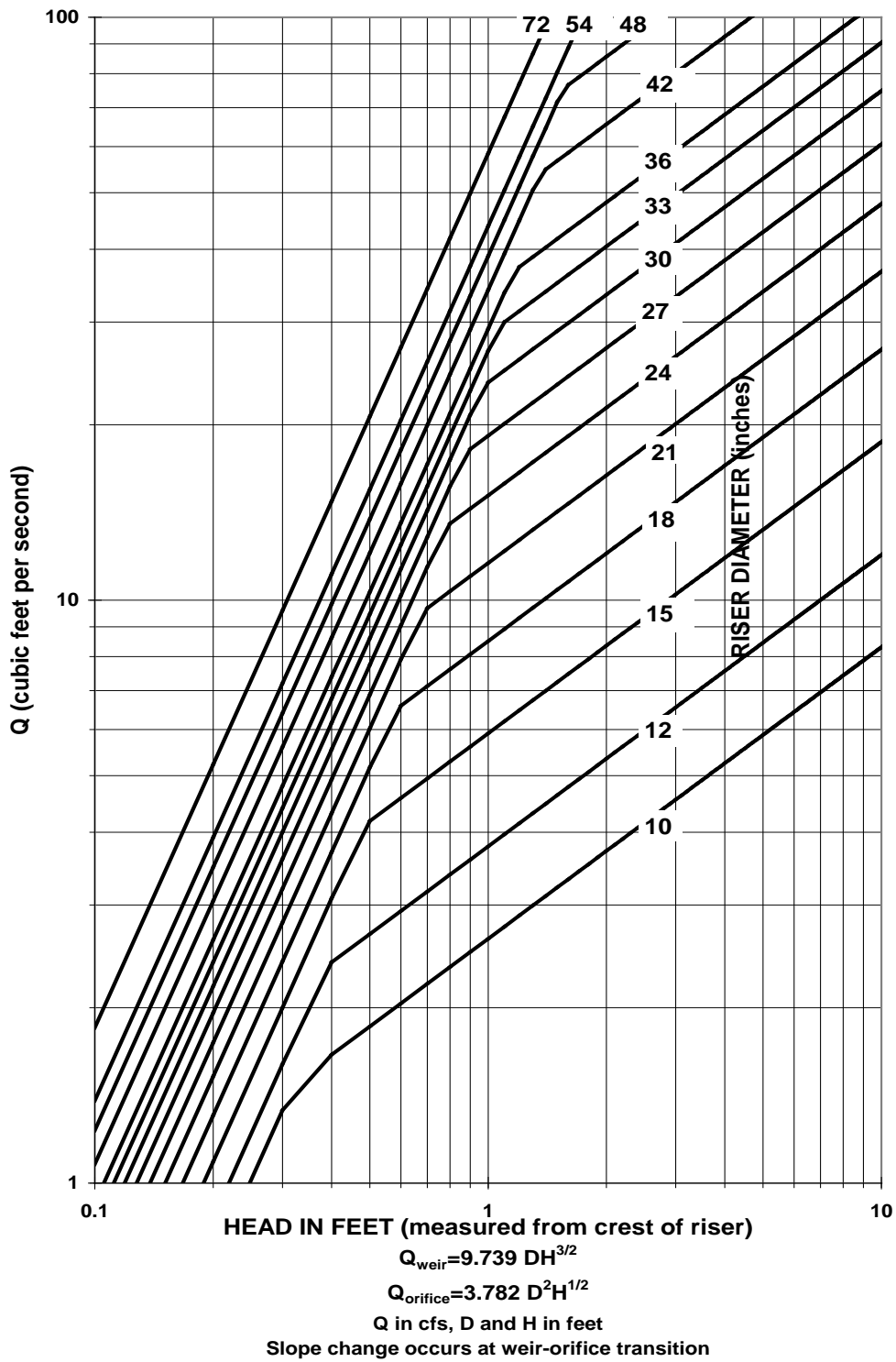
  

<b><math>C_d</math> Values, Non-Symmetrical</b>					
<b><math>a</math> (ft)</b>	<b><math>b</math> (ft)</b>				
	0.50	0.75	1.0	1.25	1.50
0.02	0.614	0.619	0.623	0.6245	0.625
0.05	0.612	0.617	0.621	0.623	0.6235
0.10	0.609	0.614	0.618	0.6195	0.620
0.15	0.607	0.6115	0.616	0.6175	0.618
0.20	0.605	0.610	0.614	0.6155	0.616
0.25	0.604	0.6085	0.6125	0.614	0.6145
0.30	0.603	0.608	0.612	0.6135	0.614

### Riser Overflow

The nomograph in Figure 5.1.4.H may be used to determine the head (in feet) above a riser of given diameter and for a given flow (usually the 100-year peak flow for developed conditions).

FIGURE 5.1.4.H RISER INFLOW CURVES



## 5.1.5 PARKING LOT DETENTION

Private parking lots may be used to provide additional detention volume for runoff events greater than the 2-year runoff event provided all of the following conditions are met:

1. The depth of water detained does not exceed 1 foot at any location in the parking lot for runoff events up to and including the 100-year event.
2. The gradient of the parking lot area subject to ponding is 1 percent or greater.
3. The emergency overflow path is identified and noted on the engineering plan, and the path complies with Core Requirements #1 and #2 (see Sections 1.2.1 and 1.2.2).
4. Fire lanes used for emergency equipment are free of ponding water for all runoff events up to and including the 100-year event.

*Note: Flows may be backed up into parking lots by the control structure (i.e., the parking lot need not function as a flow-through detention pond).*

## 5.1.6 ROOF DETENTION

Detention ponding on roofs of structures may be used to meet flow control requirements provided all of the following conditions are met:

1. The roof support structure is analyzed by a structural engineer to address the weight of ponded water.
2. The roof area subject to ponding is sufficiently waterproofed to achieve a minimum service life of 30 years.
3. The minimum pitch of the roof area subject to ponding is  $\frac{1}{4}$ -inch per foot.
4. An overflow system is included in the design to safely convey the 100-year peak flow from the roof.
5. A mechanism is included in the design to allow the ponding area to be drained for maintenance purposes or in the event the restrictor device is plugged.

## 5.1.7 SIMPLE DETENTION POND FOR CLEARED AREAS

This simplified alternative to the standard detention pond (Section 5.1.1) may be used to satisfy the flow control facility requirement only for a conversion of forest to pasture or grass, provided that **all of the following conditions are met**:

1. The **total area draining to any one pond** must be no larger than 3 acres and must consist primarily of vegetated land (e.g., forest, meadow, pasture, grass, garden, crops, etc.) free of impervious surface. If more than 3 acres of cleared area (i.e., area converted from forest to pasture/grass) is proposed to be served, multiple simple detention ponds must be used.
2. The area served by the pond must not be located within a **Flood Problem Flow Control Area** as determined in Section 1.2.3.1.
3. The pond must not drain to a *severe erosion problem* or a *severe flooding problem* as defined in Section 1.2.2, Core Requirement #2.
4. The pond must be constructed in accordance with the **design criteria** and **methods of analysis** specified in this section.

### 5.1.7.1 DESIGN CRITERIA

Schematic representations of a simple detention pond are shown in Figure 5.1.7.A and Figure 5.1.7.B.

**General**

1. A geotechnical analysis and report is required if located within 200 feet of a ***steep slope hazard area*** or ***landslide hazard*** OR if the facility is located within a setback distance from top of slope equal to the total vertical height of the slope area that is steeper than 15%. The geotechnical analysis must consider cumulative impacts from the project and surrounding areas under full built- out conditions.
2. The detention pond design water surface shall be a minimum of 200 feet from any ***steep slope hazard area*** or ***landslide hazard***. Upon analysis and approval of a licensed geotechnical engineer or engineering geologist, this setback may be reduced to 50 feet. The geotechnical analysis must consider cumulative impacts from the project and surrounding areas under full built- out conditions.
3. The detention pond design water surface shall be set back a minimum distance from top of slope equal to the total vertical height of a slope area that is steeper than 15%. Upon analysis and approval of a licensed geotechnical engineer or engineering geologist, this setback may be reduced to 50 feet. The geotechnical analysis must consider cumulative impacts from the project and surrounding areas under full built- out conditions.
4. The **dispersal trench** at the outlet from the storage pond may not be placed closer than 50 feet from the top of slopes, 20% or greater.
5. The pond, berm, and dispersal trench must be **fenced** to prevent livestock disturbance.
6. **Runoff discharge toward landslide hazard or steep slope hazard areas** must be evaluated by a geotechnical engineer or a qualified geologist. The discharge point may not be placed on or above slopes greater than 20% or above ***erosion hazard areas*** without evaluation by a geotechnical engineer or qualified geologist and City approval.

**Berming and Excavation**

1. To the extent feasible, the pond shall be excavated into the ground with **minimal berming** on the downslope (outlet) end of the pond. An excavated pond is easier to construct and maintain and is less likely to cause problems during severe storm events.
2. Where berms are used, the **top of berm** shall be a minimum of 3 feet wide. The soil shall be **well compacted** and planted with an erosion-control seed mix as soon as possible.
3. Whether created by excavation or berming, all pond **side-slopes shall be gently sloped**, no steeper than 3 feet horizontal per 1 foot of vertical drop.
4. Prior to constructing the berm, the **underlying ground** shall be scrapped clean of organic material.
5. At a minimum, a **hand-level** shall be used to ensure the berm and outlet structure are constructed at the correct relative elevations.
6. The bottom 6 inches of the pond shall retain standing water in the pond between storms to create a **permanent pool**. The volume of the permanent pool is not counted towards the required detention volume, which is above the permanent pool.
7. The **water depth of required detention volume** above the permanent pool should average about 18 inches and must be no deeper than 24 inches.

**Simple Outlet Control Structure**

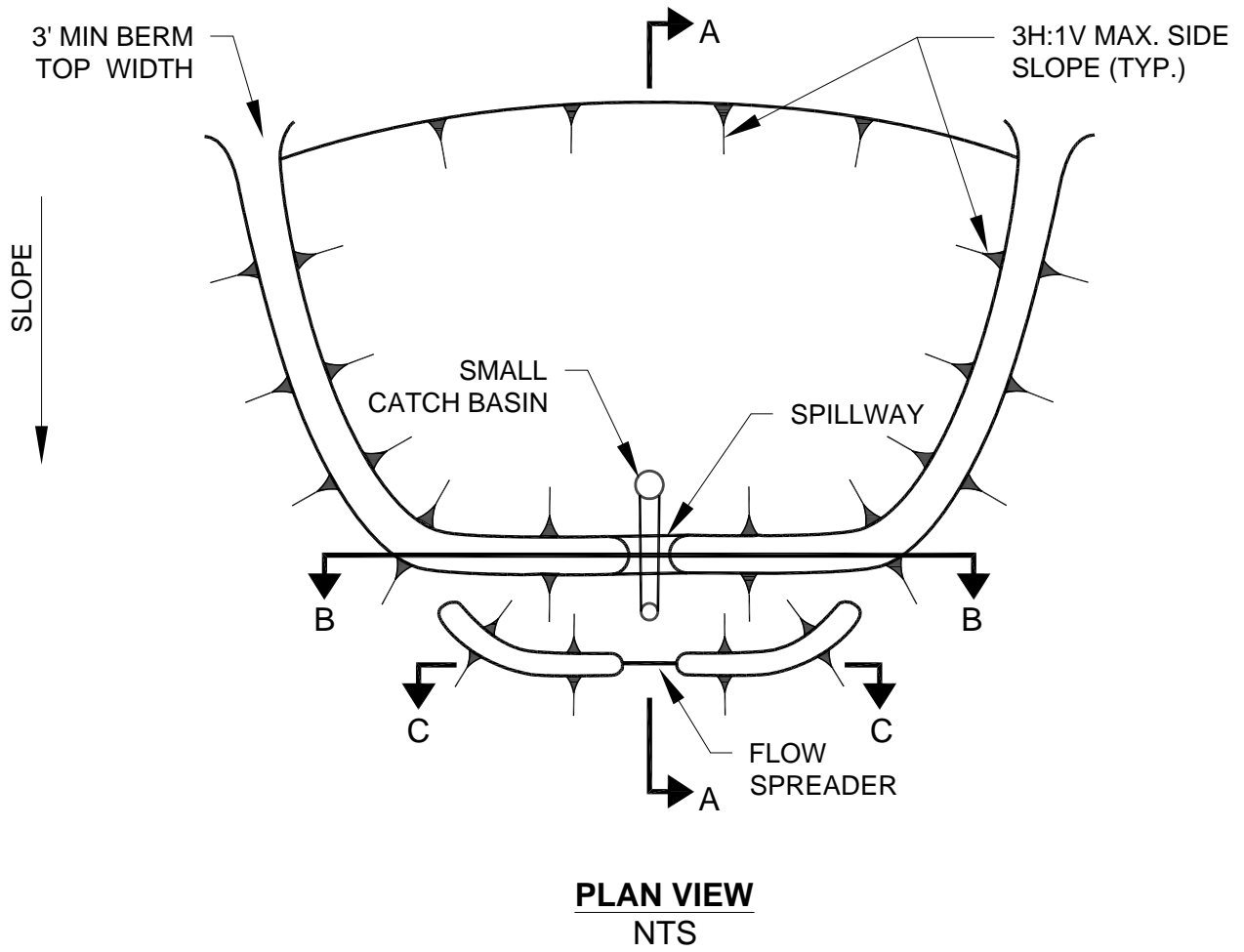
1. Materials Required:
  - a) PVC pipe, 4 inch diameter or greater as needed.
  - b) PVC pipe cap.
  - c) Small plastic or concrete catch basin with grate, minimum 12-inch width.



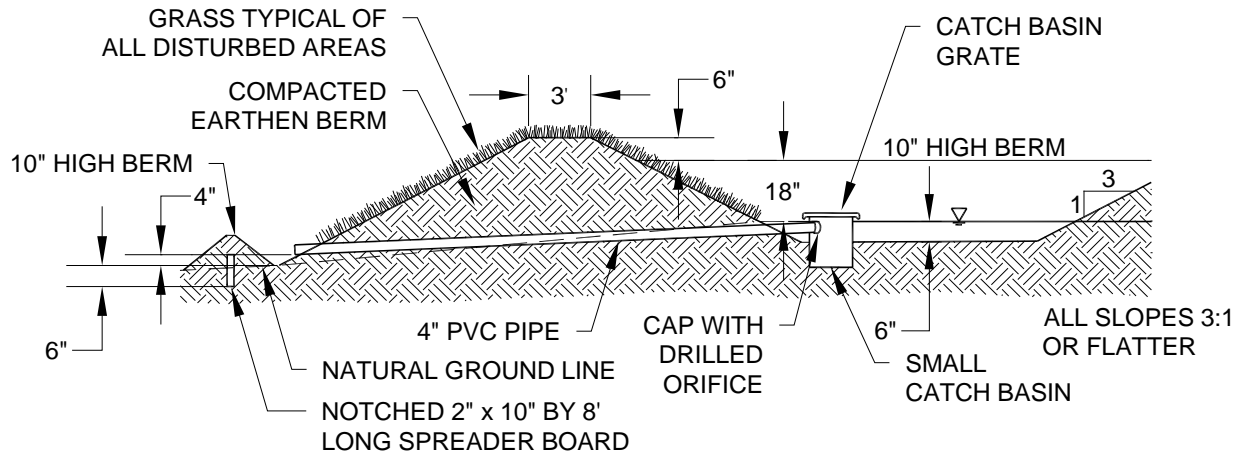
## 2. Construction Method:

- a) Drill or cut a hole just below the rim of the catch basin, sized to connect the PVC pipe.
- b) Install the catch basin into the bottom of the pond. The catch basin should be located within a few feet of the berm at the downslope end of the pond. The top of catch basin must be a minimum of 6 inches above the bottom of the pond to create the permanent pool. Align the hole in the downslope direction of discharge.
- c) Dig a trench for the pipe from the catch basin to the location of the flow spreader.
- d) Connect the PVC pipe to the catch basin. PVC pipe should extend about 4 inches into the basin.
- e) Drill the appropriate size hole into the PVC cap. Clean hole to remove burrs, without increasing the size of the opening.
- f) Connect the drilled cap to the end of the PVC pipe extending into the catch basin.
- g) Extend the PVC pipe to the location of the flow spreader. The pipe shall be laid with a slight slope towards the flow spreader. A slope of  $\frac{1}{4}$  inch per foot of pipe is recommended and should not exceed 2 inches per foot.
- h) Backfill the trench over the PVC pipe and compact well. Avoid placing large and/or sharp rocks in the trench to minimize potential for damaging the pipe during compaction.

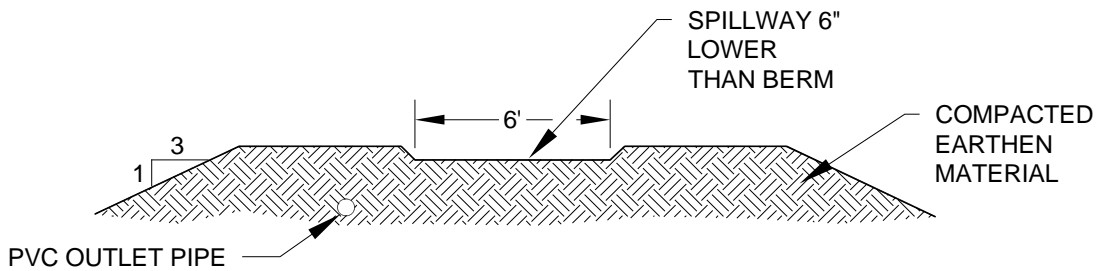
**FIGURE 5.1.7.A SCHEMATIC REPRESENTATION OF A SIMPLE DETENTION POND – PLAN VIEW**



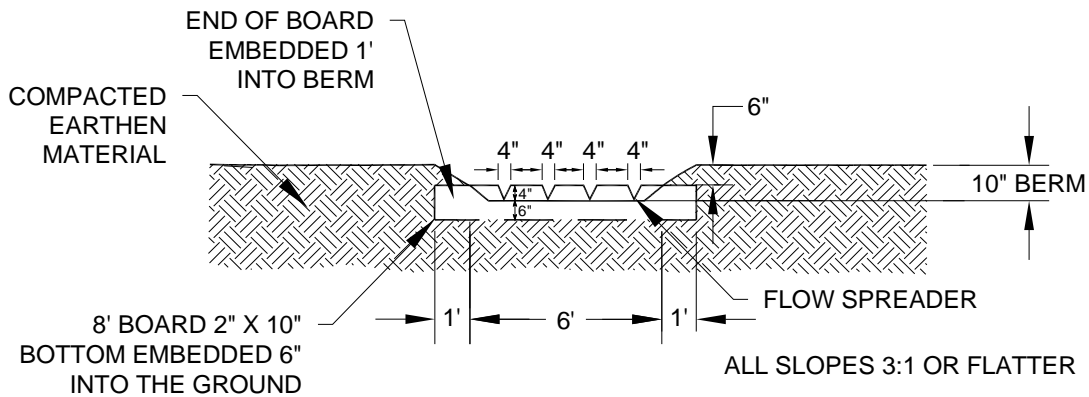
**FIGURE 5.1.7.B SCHEMATIC REPRESENTATION OF A SIMPLE DETENTION POND – SECTION VIEWS**



**SECTION A-A  
NTS**



**SECTION B-B  
NTS**



**SECTION C-C  
NTS**

### 5.1.7.2 METHODS OF ANALYSIS

The detention volume and orifice sizing for the **simple detention pond** shall be determined as described in this section. This determination is based on where the pond is located within the City and how much cleared area (i.e., area of forest converted to pasture or grass) is served by the pond.

#### Detention Volume

The map in Figure 5.1.7.C provides the minimum pond volume required based on 10,000 square feet of cleared area. To determine the total pond volume required, locate the **project site** on the map and multiply the number from the map by the amount of cleared area that will be served by the pond (if the cleared area is measured in units of square feet, remember to divide the actual area by 10,000 before multiplying with map value). If the **project site** is located between the lines shown on the map, select the larger of the two pond unit volumes associated with the lines. Do not interpolate the volume if located midway between two lines.

To determine if the constructed pond has adequate storage, the pond area must be determined by field measurements. If all side slopes are at 3H:1V or flatter, the pond's bottom area may be used to determine the pond volume,  $V_t$ , above the permanent pool using the following equation. The resulting volume,  $V_t$ , must be equal to or greater than the required volume determined from Figure 5.1.7.C.

$$V_t = 1.5 A_b + 3.4 P \quad (5-9)$$

where  $V_t$  = total pond volume available (cu ft)  
 $A_b$  = bottom area of pond (sq ft)  
 $P$  = bottom perimeter of pond (ft)

A more accurate volume determination can be made with field measurements and area calculations taken at two elevations. The first elevation at which the pond area is measured is at the top of the permanent pool. The second area measurement is taken at the overflow spillway elevation.

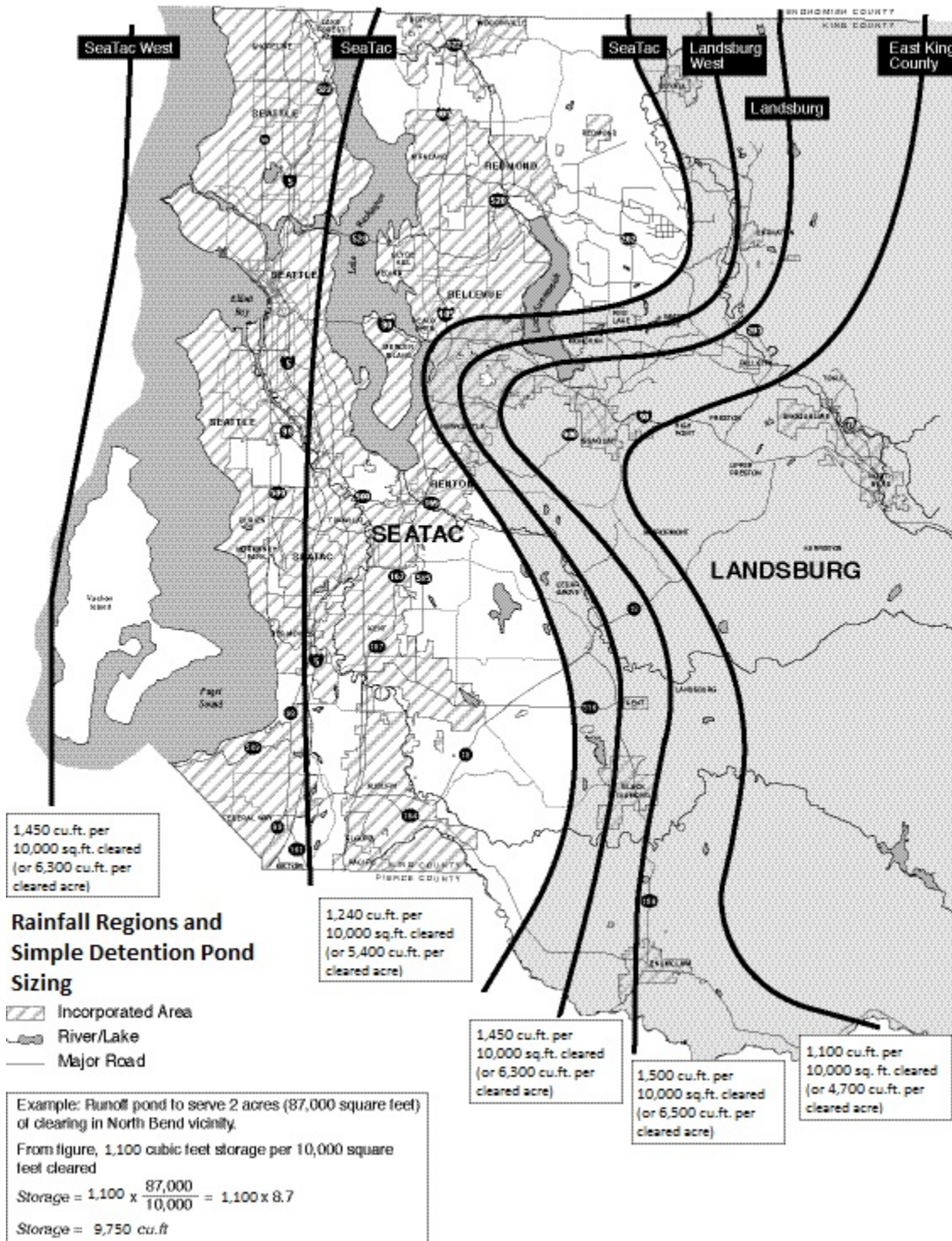
$$V_t = d \frac{(A_w + A_b)}{2} \quad (5-10)$$

where  $V_t$  = total pond volume available (cu ft)  
 $A_w$  = area of pond (sq ft) measured at the lowest elevation of the overflow spillway ( $A_b$ )  
 $A_b$  = area of pond (sq ft) measured at the top of the permanent pool  
 $d$  = depth of reservoir (ft) = 1.5 feet

#### Orifice Sizing

Table 5.1.7.A provides the orifice diameter to be drilled into the PVC cap. If the orifice diameter matches the PVC pipe diameter, no cap is required. Otherwise, the PVC pipe diameter must be greater than the required orifice diameter. Select the orifice diameter based on the cleared area tributary to the pond, interpolating between the values when designing for intermediate tributary acreage.

FIGURE 5.1.7.C SIMPLE DETENTION POND – MINIMUM VOLUME



**TABLE 5.1.7.A SIMPLE DETENTION POND – UNIT VOLUME AND ORIFICE SIZE**

Rainfall Region	Seatac West	Seatac	Landsburg West	Landsburg	East King County
Unit Volume per Acre Cleared*	6300 cft	5400 cft	6300 cft	6500 cft	4700 cft**
Acres Cleared	Orifice Diameter (decimal inches and equivalent fractional inches, 1/16" increments)				
10,000 sq ft (0.23 ac)	0.4375" (7/16")	0.375" (3/8")	0.4375" (7/16")	0.5625" (9/16")	0.8125" (13/16")
0.25 ac	0.4375" (7/16")	0.375" (3/8")	0.4375" (7/16")	0.5625" (9/16")	0.8125" (13/16")
1 ac	0.875" (7/8")	0.75" (3/4")	0.875" (7/8")	1.1875" 1-3/16")	1.6875" (1-11/16")
2 ac	1.25" (1-1/4")	1.0625" (1-1/16")	1.25" (1-1/4")	1.6875" (1-11/16")	2.4375" (2-7/16")
3 ac	1.5625" (1-9/16")	1.3125" (1-5/16")	1.5625" (1-9/16")	2.0625" (2-1/16")	3.0" (3")

\* Unit Volume per acre is based on modeling cleared areas as pasture, assuming soil amendment requirements are met, and 1.5 feet of storage depth in pond with 3:1 side slopes

\*\* Volume variability in regions of increasing rainfall reflects limited single-orifice riser efficiency at shallow storage depths, particularly in western regions where runoff peaks and volumes are smaller.

#### HOW TO USE THIS TABLE:

- Locate the project on Figure 5.1.7.C.
- Design unit volume per acre cleared is selected from the larger of the two values (i.e., *not interpolated*) associated with the Rainfall Region isopleths bracketing the project location.
- Determine design volume by multiplying unit volume by cleared acres tributary to facility.
- Select and interpolate the orifice diameter based on acreage cleared for the selected region unit volume.

**NOTE:** Projects proposing to clear an acre or less may qualify for a flow rate increase exception and waiver of the flow control facility requirement per SWDM 1.2.3, Core Requirement #3. An engineering analysis specific to the project site or other approval from CED review staff is required to qualify for the exception.

## 5.2 INFILTRATION FACILITIES

This section presents the methods, criteria, and details for design and analysis of infiltration facilities. These facilities are used where soils are suitable for soaking the increased runoff from development into the ground. Such facilities usually have a detention volume component to allow for temporary storage of runoff while it is being infiltrated. This detention volume is typically dependent on the infiltration capacity of the soils and the required facility performance.

There are five types of infiltration facilities allowed for use in complying with Core Requirement #3, “Flow Control”: infiltration ponds, infiltration tanks, infiltration vaults, infiltration trenches, and small infiltration basins. In general, ponds are preferred because of the ease of maintenance and the water quality treatment that surface soil and vegetation provide. Tanks and trenches are useful where site constraints prevent use of a pond, and small infiltration basins are simple to design but have limited uses.

Infiltration facilities are not allowed in *Zone 1 of the Aquifer Protection Area*.

The information presented in this section is organized as follows:

- Section 5.2.1, “General Requirements for Infiltration Facilities”
- Section 5.2.2, “Infiltration Ponds”
  - “Design Criteria,” Section 5.2.2.1
  - “Methods of Analysis,” Section 5.2.2.2
- Section 5.2.3, “Infiltration Tanks”
  - “Design Criteria,” Section 5.2.3.1
  - “Methods of Analysis,” Section 5.2.3.2
- Section 5.2.4, “Infiltration Vaults”
  - “Design Criteria,” Section 5.2.4.1
  - “Methods of Analysis,” Section 5.2.4.2
- Section 5.2.5, “Infiltration Trenches”
  - “Design Criteria,” Section 5.2.5.1
  - “Methods of Analysis,” Section 5.2.5.2
- Section 5.2.6, “Alternative Infiltration Systems”
  - “Design Criteria,” Section 5.2.6.1
  - “Methods of Analysis,” Section 5.2.6.2
- Section 5.2.7, “Small Infiltration Basins”
  - “Design Criteria,” Section 5.2.7.1.

### 5.2.1 GENERAL REQUIREMENTS FOR INFILTRATION FACILITIES

This section presents the design requirements generally applicable to all infiltration facilities. Included are the general requirements for determining acceptable soil conditions, determining infiltration rates, and providing overflow protection, spill control, presettling, groundwater protection, protection from upstream erosion, and construction.

For site selection and design decisions, a geotechnical and hydrogeologic evaluation and report should be prepared by a licensed engineer with geotechnical and hydrogeologic experience, or a licensed geologist,

hydrogeologist, or engineering geologist. The design engineer may utilize a team of certified or registered professionals in soil science, hydrogeology, geology, and other related fields.

## □ SOILS

The applicant must demonstrate through infiltration testing, soil logs, and the written opinion of a geotechnical professional that sufficient permeable soil exists at the proposed facility location to allow construction of a properly functioning infiltration facility.

At a minimum, test pits or borings shall extend 5 feet below the bottom of the infiltration facility, and at least one test hole should reach the water table. If the water table is very deep, the test hole need not extend more than one-fourth the maximum width of the pond below the bottom of a pond, or more than 5 feet below the bottom of a tank. Measurements shall be made during the period when the water level is expected to be at a maximum (usually in late winter or early spring). Projects performing a groundwater mounding analysis may be required to provide more extensive subsurface exploration as described in the “Groundwater Mounding Analysis” section below.

*For projects that perform a groundwater mounding analysis that demonstrates the design is adequate and that overtopping does not occur, the basic requirement is a minimum of 3 feet of permeable soil below the bottom of the facility (bottom of pond or excavation for tank) and at least 3 feet between the bottom of the facility and the maximum wet-season water table. For projects that do not perform a groundwater mounding analysis as allowed and described in the “Design Infiltration Rate” section below, the basic requirement is a minimum of 5 feet of permeable soil below the bottom of the facility (bottom of pond or excavation for tank) and at least 5 feet between the bottom of the facility and the maximum wet-season water table.*

Any requirements associated with impacts to an **erosion hazard area**, **steep slope hazard area**, or **landslide hazard** should also be addressed in the soil study.

*The geotechnical professional shall provide a report stating whether the location is suitable for the proposed infiltration facility, and shall recommend a design infiltration rate (see “Design Infiltration Rate” below).*

## □ MEASURED INFILTRATION RATES

Infiltration rate tests are used to help estimate the maximum sub-surface vertical infiltration rate of the soil below a proposed infiltration facility (e.g., pond or tank); an infiltrative BMP serving either more than one lot, 10,000 square feet or more of impervious surface, 3/4 acre or more of pervious surface or 5,000 square feet or more of pollution generating impervious surface; any BMP explicitly modeled to accomplish LID Performance Standard criteria (see Section 1.2.9); or a closed depression. The tests are intended to simulate the physical process that will occur when the facility is in operation; therefore, a saturation period is required to approximate the soil moisture conditions that may exist prior to the onset of a major winter runoff event.

### Testing Procedure

1. Excavations shall be made to the bottom elevation of the proposed infiltration facility. The measured infiltration rate of the underlying soil shall be determined using one of the following: a small or large scale **Pilot Infiltration Test (PIT)** as described in the 2014 Stormwater Management Manual for Western Washington and Reference Section 6-A of this manual. The PIT tests have been shown to more closely match actual full-scale facility performance than other test methods. A **single ring percolation test** using a ring at least 3 feet in diameter (see Reference Section 6-A), may be used to determine BMP infiltration rates used to demonstrate compliance with the LID Performance Standard.
2. The test hole or apparatus shall be filled with water and maintained at depths above the test elevation for the **saturation periods** specified for the appropriate test.
3. Following the saturation period, the rate shall be determined in accordance with the specified test procedures, with a **head** of 6 inches of water.



4. The design engineer shall perform sufficient tests at multiple locations in a proposed facility footprint to determine a representative infiltration rate. At least one **test** per 5,000 square feet (or fraction thereof) of proposed facility footprint shall be performed, with a minimum of one test for each proposed infiltration facility location; and at least 2 tests per acre shall be performed for a closed depression. Proposed bioretention swales require a minimum of 1 test per 200 linear feet of swale; with a minimum of one test performed per site. Proposed bioretention facilities require a minimum of 1 test per 5,000 square feet of facility footprint; with a minimum of one test performed per site.
5. At a minimum, a **soils log** shall be obtained for each required infiltration test location. Additional tests shall be obtained as necessary to capture significant soil variations in the facility footprint. Soils shall be logged for a minimum of 5 feet below the bottom of each proposed infiltration facility. The logs shall describe the SCS series of the soil, indicate the textural class of the soil horizons throughout the depth of the log, note any evidence of high groundwater level (such as mottling), and estimate the maximum groundwater elevation, if within the limits of the log.

#### ❑ DESIGN INFILTRATION RATE- INFILTRATION FACILITIES AND CLOSED DEPRESSIONS

In the past, many infiltration facilities have been built that have not performed as the designer intended. This has resulted in flooding and substantial public expenditures to correct problems. Monitoring of actual facility performance has shown that the full-scale infiltration rate is far lower than the rate determined by small-scale testing. Actual measured facility rates of 10% of the small-scale test rate have been seen. It is clear that great conservatism in the selection of design rates is needed, particularly where conditions are less than ideal.

The design infiltration rate determination shall include a groundwater mounding evaluation using an analytical groundwater model to investigate the effects of the local hydrologic conditions on facility performance. Groundwater modeling will not be required for facilities serving less than 1 acre of tributary area and where there is at least 5 feet of separation between the bottom of the proposed facility and the maximum seasonal groundwater table or low permeability stratum, unless requested by CED review staff, or as part of an analysis in the event of facility failure at performance testing. A ground water mounding analysis is advisable for facilities with drainage areas smaller than 1 acre if the depth to a low permeability layer (e.g., less than 0.1 inches per hour) is less than 10 feet. If the ground water in the area is known to be greater than 50 feet below the proposed facility, detailed investigation of the ground water regime for flow control design is not necessary.

The preliminary design infiltration rate is determined by applying correction factors to the measured infiltration rate. The correction factors account for uncertainties in testing, depth to the water table or impervious strata, infiltration receptor geometry, and long-term reductions in permeability due to biological activity and accumulation of fines. Equation 5-11 has been developed to account for these factors. This equation estimates the **maximum** design infiltration rate ( $I_{design}$ ); additional reduction in rate beyond that produced by the equation may be appropriate. Note that the design infiltration rate  $I_{design}$  **must not exceed 20 inches/hour**.

$$I_{design} = I_{measured} \times F_{testing} \times F_{geometry} \times F_{plugging} \quad (5-11)$$

Correction factor  $F_{testing}$  accounts for uncertainties in the testing methods. For the small and large scale Pilot Infiltration Test (PIT),  $F_{testing} = 0.50$ . For the Single Ring Percolation Test (See Reference Section 6-A) (used only for determining BMP infiltration rates for demonstrating compliance with the LID Performance Standard),  $F_{testing} = 0.30$ .

When expanding an existing infiltration facility, the historical full-scale infiltration performance of the existing facility may be considered in lieu of the testing procedures above. However, determination of  $F_{testing}$  for the expanded facility shall include consideration of the existing facility and site characteristics, existing infiltration performance relative to the original design, facility maintenance and site maintenance history, and any other factors influencing the performance of the existing facility. A value for  $F_{testing}$  between 0.5 and 1.0, as determined by CED review staff, reflecting the existing facility history shall be applied to the historical full-scale measured infiltration rate.

$F_{geometry}$  accounts for the influence of facility geometry and depth to the water table or impervious strata on the actual infiltration rate. A shallow water table or impervious layer will reduce the effective infiltration rate of a large pond, but this will not be reflected in a small scale test. Clearly, a large pond built over a thin pervious stratum with a shallow water table will not function as well as the same pond built over a thick pervious stratum with a deep water table.  $F_{geometry}$  must be between 0.25 and 1.0 as determined by the following equation:

$$F_{geometry} = 4 D/W + 0.05 \quad (5-12)$$

where  $D$  = depth from the bottom of the proposed facility to the maximum wet-season water table or nearest impervious layer, whichever is less  
 $W$  = width of the facility

*Note: When conducting a mounding analysis, apply  $F_{geometry}$  in the mounding analysis only if facility geometry is not captured in the groundwater model inputs.*

$F_{plugging}$  accounts for reductions in infiltration rates over the long term due to plugging of soils. This factor is:

- 0.7 for loams and sandy loams
- 0.8 for fine sands and loamy sands
- 0.9 for medium sands
- 1.0 for coarse sands or cobbles, or any soil type in an infiltration facility preceded by a water quality facility.

#### □ DESIGN INFILTRATION RATE – BIORETENTION AND PERMEABLE PAVEMENT

For bioretention facilities used to meet the LID Performance Standard, a corrected design infiltration rate shall be used for the standard bioretention soil mix (BSM) cited in Reference Section 11-C. The corrected rate assumes a correction factor of either 2 or 4 is applied to the standard BSM uncorrected rate of 12 inches per hour. A corrected design rate of 3 inches per hour is used where the drainage area to the bioretention device exceeds any of the following:

- 10,000 sq. ft. of impervious surface
- 5,000 sq. ft. of pollution-generating impervious surface
- 3/4 acre of pervious surface

A corrected BSM design rate of 6 inches per hour is used if the contributing drainage area does not exceed any of the above-listed areas, OR for bioretention where the contributing area exceeds any of the thresholds above AND the design includes a presettling facility for solids removal.

The design rate of the in situ soils underlying the bioretention soil mix shall be the measured infiltration rate multiplied by a correction factor ranging from 0.33 to 1 as recommended by a geotechnical professional. The selected correction factor should be based on the number of tests in relation to the size of the bioretention facility and site variability.

For permeable pavement used to meet the LID Performance Standard, the design rate of the in situ soils underlying the permeable pavement shall be the measured infiltration rate multiplied by a correction factor ranging from 0.33 to 1 (no correction) as recommended by a geotechnical professional. The selected correction factor should be based on the number of tests in relation to the size of the bioretention facility and site variability. A further correction factor of 0.9 to 1 (no correction) is determined based on the quality of the aggregate base material. A correction factor of 1 for the quality of pavement aggregate base material is allowable if the aggregate base is clean washed material with 1% or less fines passing the 200 sieve.

## □ GROUNDWATER MOUNDING ANALYSIS

Groundwater mounding analysis is generally required for infiltration facilities that serve 1 acre or more of tributary area and have less than 15 feet of separation to a restrictive layer or groundwater table, as described in the “Design Infiltration Rate” section above.

Groundwater modeling (mounding analysis) of the proposed infiltration facility shall be done using the **design** infiltration rate (i.e., reduction factors applied to the measured rate) *modified to exclude the correction factor for geometry ( $F_{geometry}$ )* and the estimated maximum groundwater elevation determined for the proposed facility location. It is assumed the groundwater mounding model inputs will capture the facility geometry for the analysis, however if this is not true for the chosen model, the correction factor for geometry shall be included in the infiltration rate. *Note the use of the design infiltration rate (rather than the measured rate) results in a conservative analysis of the pond design, but may not be representative of the lateral extent of the actual groundwater mounding effect. The design professional is advised to evaluate the true extent of the mound and its effects on adjacent structures, properties, etc.*

MODRET or an equivalent model must be used unless CED approves an alternative analytic technique. More complex analyses (e.g., MODFLOW) may warrant preliminary discussion with CED to ensure the modeling strategies are acceptable.

Developed condition hydrographs of the **project site** shall be exported from the approved model for the groundwater mounding analysis. Hydrographs for the mounding analysis input shall include, at a minimum, the complete water year (October 1 through September 30) records containing a) the 100-year *peak rate* event and b) the *cumulative highest 30-day volume* event identified through analysis of the developed condition runoff (the two events are usually in different water years). The peak rate water year is readily determined from the flow frequency analysis in the approved model. The cumulative highest 30-day volume analysis can be completed in a spreadsheet using the developed condition hydrograph for the full historical record exported from the approved model. Due to model limitations on the size of the input files, a *1-hour timestep* shall be used to generate the hydrographs to be exported, unless otherwise required by CED.

The exported hydrograph file will require minor modification in preparation for import into the groundwater model; see the specific model’s documentation for guidance (MODRET file preparation for hydrograph input is described in the appendix for the software user’s guide). See Reference Section 6-D for modeling guidelines specific for use with this manual.

Note that an iterative process may be required beginning with an estimated design rate, facility sizing with the approved runoff model, then groundwater model testing.

The mounding analysis report shall be included in the Special Reports section of the technical information report (TIR, see Section 2.3.1.1). All mounding analysis submittals shall have at least the following information in one package:

- Test pit and boring logs, including actual elevations used on the design plans (not just relative elevations) documenting subsurface explorations to a depth below the base of the infiltration facility of at least 5 times the maximum design depth of ponded water proposed for the infiltration facility, but not less than 10 feet below the base of the facility. At sites with shallow ground water (less than 15 feet from the estimated base of facility), if a ground water mounding analysis is necessary, determine the thickness of the saturated zone. Note that documentation of the thickness and location of the saturated zone can generally be beneficial to mounding analysis results.
- Logs must include at a minimum, depth of pit or hole, soil descriptions, depth to ground water table and/or bedrock/impermeable layers, presence of stratification. *(Note: Logs must substantiate whether stratification does or does not exist. The licensed professional may consider additional methods of analysis to substantiate the presence of stratification that will significantly impact the design of the infiltration facility).*
- Continuous sampling (representative samples from each soil type and/or unit within the infiltration receptor) to a depth below the base of the infiltration facility of 2.5 times the maximum design ponded

water depth, but not less than 10 feet. For large infiltration facilities serving drainage areas of 10 acres or more, perform soil grain size analyses on layers up to 50 feet deep (or no more than 10 feet below the water table).

- Map showing location of test pits, borings and infiltration facility
- Wet season (October 1 to April 30) maximum water table elevation. Monitoring through at least one wet season is required, unless substantially equivalent site historical data regarding ground water levels is available.
- If mottling or iron oxide staining is present, and that elevation does not reflect the wet season maximum water table elevation, include a detailed justification.
- Description and documentation supporting all modeling input parameters
- LS stamped letter documenting constructed volume, elevations, infiltration area (constructed facilities only)
- PE stamped letter documenting TIR volume, elevations and infiltration area (design reviews only)
- PE stamped letter (may be the same letter as the previous bullet) documenting rainfall data and infiltration rate determination used in the analysis. Rainfall data shall be at a minimum, the complete water year (October 1 through September 30) records containing a) the 100-year *peak rate* event and b) the *cumulative highest volume* event identified through analysis of the developed condition runoff, both using 1-hour timesteps minimum. Infiltration rate description shall include the initial measured rate and details of the reduction factors applied per Section 5.2.1, Design Infiltration Rate.
- Actual inflow data (electronic files prepared for model input) used in the mounding analysis modeling runs.
- Separate model runs for the peak rate and highest 30-day cumulative volume periods (two runs unless the events occur in the same water year).
- Justifications for safety factors applied to the infiltration rate applied in the modeling.
- Geotechnical professional summary and conclusions
- Small scale infiltration test data (inches/hour) with calibration factor for test type, then converted to Vertical Hydraulic Conductivity (feet/day)
- Geotechnical professional documentation of why a particular Horizontal Hydraulic Conductivity to Vertical Hydraulic Conductivity (HHC:VHC) ratio is applicable.

Without detailed justification, the City will accept for MODRET input an HHC:VHC ratio of 1.5:1 for homogeneous soils and 3:1 for layered soils. Note, however, the vertical conductivity input K<sub>VU</sub> is for the *unsaturated* condition (typical of small-scale or PIT test results), while the horizontal conductivity input K<sub>HS</sub> is for the *saturated* condition.

Alternatively, if small-scale or PIT is the only test information available, the saturated horizontal hydraulic conductivity could be estimated by applying two adjustment factors as follows:<sup>4</sup>

$$K_{VS} \text{ (vertical, saturated)} = 1.5 K_{VU} \text{ (vertical, unsaturated)} \quad (5-13)$$

$$K_{HS} \text{ (horizontal, saturated)} = 1.5 K_{VS} \text{ (vertical, saturated)} \quad (5-14)$$

## □ PERFORMANCE TESTING

Performance testing and verification for a facility shall be conducted before final construction approval by the City, or prior to construction of other project improvements or recording of a subdivision as required by RMC 4-4-060.

For projects where a mounding analysis is not required at the design phase (i.e., facilities serving less than 1 acre of tributary area and where there is at least 5 feet of separation between the bottom of the proposed facility and the maximum seasonal groundwater table or low permeability stratum), the completed facility

<sup>4</sup> Source: State of Florida Dept. of Transportation, *Stormwater Management Facility Drainage Handbook*, Jan 2004, p. 70

must be tested and monitored to demonstrate that the facility performs as designed. If the facility performance is not satisfactory, the facility will need to be modified or expanded as needed in order to make it function as designed.

Where a groundwater mounding analysis was used in the design, performance testing and verification in the bottom of the facility to demonstrate that the soils in the constructed facility are representative of the design assumptions is required. The evaluation shall include measured infiltration rate testing and evaluation of in-situ soil characteristics and groundwater table location as described in this section. The measured infiltration rate test procedure should follow the same methodology as during the design phase to be comparable. If the facility performance evaluation is not satisfactory, the facility will need to be modified or expanded as needed in order to make it function as designed.

#### ❑ 100-YEAR OVERFLOW CONVEYANCE

An overflow route shall be identified for stormwater flows that overtop the facility when infiltration capacity is exceeded or the facility becomes plugged and fails. The overflow route must be able to safely convey the 100-year developed peak flow to the downstream conveyance system or other acceptable discharge point in accordance with conveyance requirements in Section 1.2.4.

Where the entire *project site* is located within a closed depression (such as some gravel pits), the requirement to identify and analyze a 100-year overflow pathway may be waived by CED if (1) an additional correction factor of 0.5 is used in calculating the **design infiltration rate**, (2) the facility is sized to fully infiltrate the 100-year runoff event, and (3) the facility is not bermed on any side. **Intent:** to address situations where the infiltration facility may be a highly permeable onsite closed depression, such as a gravel pit, where all stormwater is currently, and will remain, fully infiltrated.

#### ❑ SPILL CONTROL DEVICE

All infiltration facilities must have a spill control device upstream of the facility to capture oil or other floatable contaminants before they enter the infiltration facility. The spill control device shall be a **tee section** per Figure 5.1.4.A or an equivalent device approved by CED. If a tee section is used, the top of the riser shall be set above the 100-year overflow elevation to prevent oils from entering the infiltration facility.

#### ❑ PRESETTLING

Presetting must be provided before stormwater enters the infiltration facility. This requirement may be met by either of the following:

- A water quality facility from the Basic WQ menu (this alternative is recommended; see Section 6.1.1 for facility options).
- A presettling pond or vault with a treatment volume equal to 0.25 times the basic water quality design volume (see Section 6.4.1.1 for information on computing this volume).

If water in the WQ facility or presettling facility will be in direct contact with the soil, the facility must be lined according to the liner requirements in Section 6.2.4. If the presettling facility is a vault, design of the vault shall be the same as required for presettling cells in sand filter vaults (see Section 6.5.3.2).

The settling pond or vault shall be designed to pool water 4 to 6 feet deep with an overflow capacity sufficient to pass the developed 100-year peak flow. Settling facilities must have a length-to-width ratio of at least 3:1. The inlet(s) and outlet should be situated to maximize the length of travel through the settling pond or vault. Berms or baffles may be used to lengthen the travel distance if *site* constraints limit the inlet/outlet placement. Inlets should be designed to minimize velocity and turbulence. Roof runoff need not be treated before entering an infiltration facility.

## ❑ PROTECTION FROM UPSTREAM EROSION

Erosion must be controlled during construction of areas upstream of infiltration facilities since sediment-laden runoff can permanently impair the functioning of the system. Erosion control measures must be designed, installed and maintained with great care. Various strategies may be employed to protect infiltration facilities during construction, as described below.

Projects may be phased to limit clearing and minimize the time that soils are exposed. An alternative to this approach is to serve the undeveloped area with a large sediment trap on an undeveloped tract with the trap left in place until all clearing and construction is complete and all permanent landscaping is in place. See *Erosion and Sediment Control Standards* (Appendix D) for design details. At the completion of all construction, the sediment trap must be cleaned out (taking care that no sediment enters the drainage system) and filled in, and the flow routed to the permanent drainage system.

Another alternative for subdivisions is to stage excavation of the pond as follows:

1. Bottom elevation of the pond prior to paving of plat roadways: 3 feet above the final pond bottom elevation. At this stage of rough grading, the facility may be used to meet sediment retention requirements.
2. Bottom elevation of the pond during and after paving and prior to construction of 80% of the houses: 18 inches above the final pond bottom elevation with upstream sediment retention, as needed. At this stage, the pond will serve as an interim flow control facility pending final stabilization of the *site*. Note that RMC 4-4-060 requires that flow control facilities be operational prior to the construction of any improvements.

## ❑ FACILITY CONSTRUCTION GUIDELINES

Excavation of infiltration facilities should be done with a backhoe working at “arm’s length” to **minimize disturbance and compaction of the completed infiltration surface**. If the bottom of the facility will be less than three feet below final grade, the facility area should be cordoned off so that construction traffic does not traverse the area. The exposed soil should be inspected by a soils engineer after excavation to confirm that soil conditions are suitable.

Two simple **staff gages for measuring sediment depth** should be installed at opposite ends of the bottom of ponds. The gages may consist of 1-inch pipe driven at least one foot into the soil in the bottom of the pond, with 12 inches of the pipe protruding above grade.

## ❑ OFFSITE GROUNDWATER LEVEL IMPACTS

Potential impacts to groundwater levels off the *project site* should be considered. In general, replacing vegetation with impervious cover will increase the total annual volume of runoff generated on a *site*. Infiltrating this runoff will tend to increase ground water recharge, which may affect groundwater levels offsite. The impacts of infiltration could include increased water to **landslide hazards**, increased groundwater resources available, increased water levels in closed depressions, and higher groundwater levels. Higher groundwater levels offsite could result in increased flooding of basements, or impaired functioning of infiltration systems resulting in surface water flooding. Evidence of offsite groundwater flooding problems should be examined during the offsite analysis required under Core Requirement #2 (see Section 1.2.2).

In general, groundwater level impacts will be very difficult to reduce, and there are no specific requirements that apply in many cases. The design engineer is encouraged to consider whether there are any feasible approaches to reduce groundwater flooding impacts, such as moving facilities or changing facility geometry, retaining forest cover, minimizing impervious coverage, or fixing downstream problems.

## □ GROUNDWATER PROTECTION

The protection of groundwater quality is recognized as an issue of greater concern than in the past, and groundwater protection standards are changing rapidly, see Section 1.3.6 Core Requirement #6: Aquifer Protection Area Increased safeguards are often required. The applicant should refer to Reference Section 15, Ground Water Protection Area Map, to determine if the project lies within a **groundwater protection area**.

The **groundwater protection requirements** of this manual set forth in Chapter 1 call for implementing one of the following actions when infiltrating runoff from pollution-generating surfaces:

1. For industrial sites, provide water quality treatment prior to infiltration as specified in Core Requirement #8 and Special Requirement #5.
2. For projects infiltrating within ¼ mile of a sensitive lake, provide water quality treatment prior to infiltration as specified in Core Requirement #8 and Special Requirement #5.
3. For all other sites:
  - a) Provide water quality treatment prior to infiltration as specified in Core Requirement #8 and Special Requirement #5, OR
  - b) Demonstrate that the soil beneath the infiltration facility has properties that reduce the risk of groundwater contamination from typical stormwater runoff. Such properties are defined in below and are dependent on whether the project is located outside of or within a **groundwater protection area**.

### Soil Properties Required for Groundwater Protection

Soil properties required for groundwater protection both outside of and within groundwater protection areas are listed below. **Groundwater protection areas** include the Cedar Valley Sole Source Aquifer Review Area, Wellhead Protection Areas, and the **Aquifer Protection Area**.

*Note: The soil properties given are primarily for groundwater protection and do not necessarily satisfy other protection needs. For example, projects infiltrating runoff within a quarter-mile of a Sensitive Lake may still be required to provide water quality treatment to meet the resource protection needs of the Sensitive Lake. See Core Requirement #8 (Section 1.2.8) for additional WQ requirements.*

### Soil Properties Required for Groundwater Protection Outside of Groundwater Protection Areas

For infiltration facilities located outside of **groundwater protection areas**, acceptable groundwater protection is provided by the soil if the first two feet or more of the soil beneath the infiltration facility has a **cation exchange capacity**<sup>5</sup> greater than 5 and an **organic content**<sup>6</sup> of 1.0% or greater, AND meets **one of the following** criteria:

1. The soil has a measured infiltration rate less than or equal to 9 inches per hour<sup>7</sup> or is logged as one of the classes from the **USDA Textural Triangle** (Figure 5.2.1.A.), excluding sand and loamy sand (*Note: soil texture classes other than sand and loamy sand may be assumed to have an infiltration rate of less than or equal to 9 inches per hour without doing field testing to measure rates.*<sup>8</sup>), OR

<sup>5</sup> *Cation exchange capacity* shall be tested using EPA Laboratory Method 9081. Note that per EPA method 9081 guidance, distinctly acidic soils require “the method of cation-exchange capacity by summation (Chapman, 1965, p. 900; see Paragraph 10.1).”

<sup>6</sup> *Organic content* shall be measured on a dry weight basis using method ASTM D2974 for the fraction passing the #40 sieve.

<sup>7</sup> See discussion of the measured infiltration rate in Section 5.2.1.

<sup>8</sup> Criteria (a) is based on the relationship between infiltration rates and soil texture. However, there are many other factors, such as high water table, presence of impervious strata or boulders close to the surface, etc., which also affect infiltration rate. When any such condition is suspected because soils are coarser than expected from the measured infiltration rate, a sieve analysis should be done to establish soil characteristics. The judgment of a geotechnical professional shall determine whether a sieve analysis is warranted. The sieve analysis must meet Criteria (b) above to be considered protective.

2. The soil is composed of less than 25% gravel by weight with at least 75% of the soil passing the #4 sieve. The portion passing the #4 sieve must meet one of the following gradations:
- At least 50% must pass the #40 sieve and at least 2% must pass the #100 sieve, or
  - At least 25% must pass the #40 sieve and at least 5% must pass the #200 sieve.

*Note: These soil properties must be met by the native soils onsite. Soil may not be imported in order to meet groundwater protection criteria without an approved adjustment.*

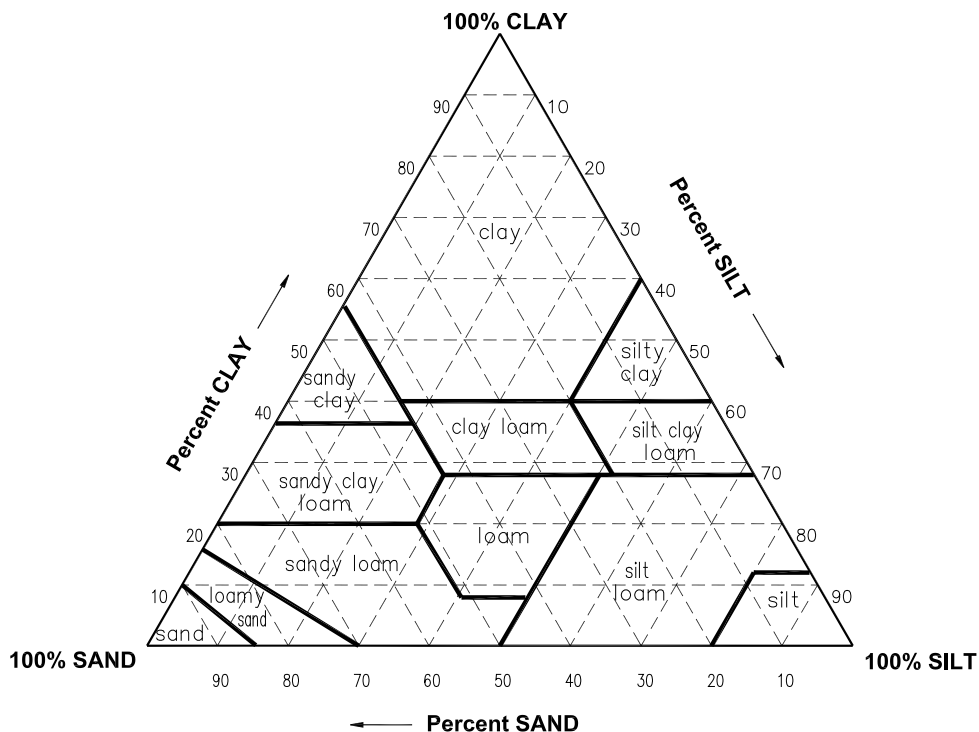
### Soil Properties Required within Groundwater Protection Areas

For projects located within **groundwater protection areas**, acceptable groundwater protection is provided by the soil if the first two feet or more of the soil beneath the infiltration facility has a **cation exchange capacity** greater than 5 and an **organic content** of 1% or greater, AND meets **one of the following** criteria:

1. The soil has a **measured infiltration rate** less than or equal to **2.4 inches per hour** or is logged as one of the classes from the **USDA Textural Triangle** (Figure 5.2.1.A), excluding sand, loamy sand, and sandy loam (*Note: soil triangle texture classes other than sand, loamy sand, and sandy loam may be assumed to have an infiltration rate of less than or equal to 2.4 inches per hour without doing field testing to measure rates*), OR
2. The soil has a measured infiltration rate less than or equal to 9 inches per hour, and it must be composed of less than 25% gravel by weight with at least 75% of the soil passing the #4 sieve. The portion passing the #4 sieve must meet one of the following gradations:
  - At least 50% must pass the #40 sieve and at least 2% must pass the #100 sieve, or
  - At least 25% must pass the #40 sieve and at least 5% must pass the #200 sieve.

*Note: The above soil properties must be met by the native soils onsite. Soil may not be imported in order to meet groundwater protection criteria without an approved adjustment.*

**FIGURE 5.2.1.A USDA TEXTURAL TRIANGLE**





### Infiltration near Water Supply Wells

The design engineer should consider the following when designing infiltration facilities near water supply wells:

1. In no case should infiltration facilities be placed closer than 100 feet from drinking water wells and 200 feet from springs used for drinking water supplies. Where water supply wells exist nearby, it is the responsibility of the applicant's engineer to locate such wells, meet any applicable protection standards, and assess possible impacts of the proposed infiltration facility on groundwater quality. If negative impacts on an individual or community water supply are possible, additional runoff treatment must be included in the facility design, or relocation of the facility should be considered.
2. All infiltration facilities located within the one-year capture zone of any well should be preceded by a water quality treatment facility.

### Infiltration near Steep Slope Hazard Areas and Landslide Hazards

The following restrictions apply to the design of infiltration systems located near a slope steeper than 15%.

1. Where infiltration facilities are proposed within 200 feet of a *steep slope hazard area* or a *landslide hazard*, OR closer to the top of slope than the distance equal to the total vertical height of a slope area that is steeper than 15%, a detailed geotechnical evaluation is required. The geotechnical analysis must consider cumulative impacts from the project and surrounding areas under full built-out conditions.
2. Individual lot infiltration and dispersion systems rather than a centralized infiltration facility should be used to the extent feasible, except for lots immediately adjacent to a *landslide hazard*. The runoff from such lots should be discharged into a tightline system, if available, or other measures should be implemented as recommended by a geotechnical engineer, engineering geologist, or CED.

## ❑ UNDERGROUND INJECTION CONTROL WELL REGISTRATION

The Underground Injection Control Program (UIC) administered by WA Ecology protects groundwater quality by regulating discharges to UIC wells. WA Ecology adopted revisions to Chapter 173-218 WAC, the UIC program rules, on January 3, 2006. The newly adopted revisions went into effect on February 3, 2006. These rules require the registration of new injection wells that manage stormwater. Information regarding these new regulations may be found at Ecology's UIC Program website, <http://www.ecy.wa.gov/programs/wq/grndwtr/uic/index.html>.

UIC wells are manmade structures used to discharge fluids into the subsurface. Examples are drywells, infiltration trenches with perforated pipe, and any structure deeper than the widest surface dimension (see Reference Section 6 or Ecology's UIC Program website for the *Underground Injection Control (UIC) Program Class V Well Identification Guide* provided by WA Ecology). In general, infiltration systems that have buried pipe, tanks, or vaults would be considered injection wells, but systems managing runoff only from single-family or duplex roofs, or used to control basement flooding, are exempt. Open ponds are not considered injection wells.

UIC Program rule requirements apply to all UIC wells. If an existing UIC well receives stormwater and was in use before 2/3/2006, the well owner must complete a well assessment with Ecology to determine if the UIC well is a high threat to groundwater. See Chapter 173-218-090 (2) WAC UIC Program, <http://app.leg.wa.gov/WAC/default.aspx?cite=173-218-090> or visit <http://www.ecy.wa.gov/programs/wq/grndwtr/uic/UICwellassessment.html> for more information.

If UIC registration is required by Ecology for the proposed design, a copy of the registration, or the Ecology-issued System ID provided at registration, shall be provided by the applicant prior to plan approval or permit issuance by the City (see Section 2.3.1.1 Technical Information Report (TIR), TIR Section 7 Other Permits and Section 5.4.1).

*Note that existing UIC wells that are unable to obtain Ecology rule authorization and UIC Site ID number without modification may require design review and permit approval per City requirements for such modifications. Permitting for the modified facility shall follow the UIC registration requirements guidance for new facilities.*

## 5.2.2 INFILTRATION PONDS

Infiltration ponds may be constructed by excavating or constructing berms. A schematic representation of a typical infiltration pond is shown in Figure 5.2.2.A. Infiltration ponds are not allowed in *Zone 1 of the Aquifer Protection Area*.

### 5.2.2.1 DESIGN CRITERIA

#### General

The following criteria for ponds are in addition to the general requirements for infiltration facilities specified in Section 5.2.1:

1. The proposed **pond bottom** must be at least 3 feet above the seasonal high groundwater level and have at least 3 feet of permeable soil beneath the bottom.
2. Infiltration ponds are **not allowed on slopes greater than 25%** (4H:1V). A geotechnical analysis and report is required if located within 200 feet of a *steep slope hazard area* or *landslide hazard* OR if the facility is located within a setback distance from top of slope equal to the total vertical height of a slope area that is steeper than 15%. The geotechnical analysis must consider cumulative impacts from the project and surrounding areas under full built- out conditions.
3. The infiltration surface **must be in native soil** (excavated at least one foot in depth).
4. **Maintenance access** shall be provided to both the presettling pond or vault (if provided) and the infiltration pond.
5. An **overflow structure** such as that shown in Figure 5.1.1.C shall be provided. In addition, infiltration ponds shall have an emergency spillway as required for detention ponds in Section 5.1.1.1.
6. The criteria for **general design**, side slopes, embankments, planting, maintenance access, access roads, fencing, signage, and right-of-way shall be the **same as for detention ponds** (see Section 5.1.1), except as required for the infiltration design.

#### Setbacks

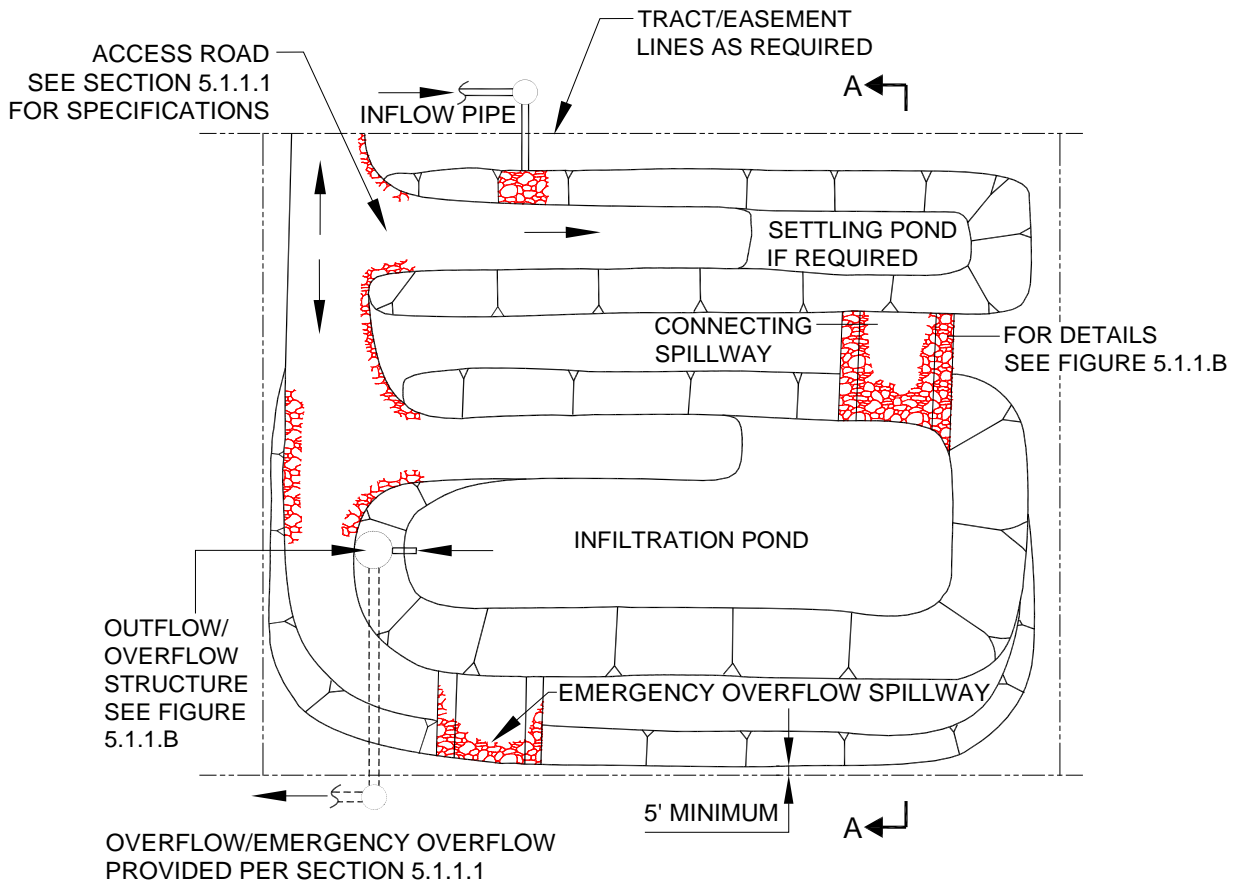
1. The **toe of the exterior slope** of an infiltration pond berm embankment shall be set back 5 feet from the tract, easement, or property line.
2. The tract, easement, or property line on an **infiltration pond cut slope** shall be set back 5 feet from the emergency overflow water surface.
3. The infiltration pond design water surface shall be set back 100 feet from proposed or existing **septic system drainfields**. This setback may be reduced to 30 feet with approval from the Public Health – Seattle & King County.
4. The infiltration pond design water surface shall be a minimum of 200 feet from any *steep slope hazard area or landslide hazard*. Upon analysis and approval of a licensed geotechnical engineer or engineering geologist, this setback may be reduced to 50 feet. The geotechnical analysis must consider cumulative impacts from the project and surrounding areas under full built- out conditions.
5. The infiltration pond design water surface shall be set back a minimum distance from top of slope equal to the total vertical height of a slope area that is steeper than 15%. Upon analysis and approval of a licensed geotechnical engineer or engineering geologist, this setback may be reduced to 50 feet. The geotechnical analysis must consider cumulative impacts from the project and surrounding areas under full built- out conditions.
6. **Building setback lines for adjacent internal lots** shall be 20 feet. These may be reduced to the minimum allowed by zoning if the facility soils report addresses the potential impacts of the facility phreatic surface on structures so located.

7. The infiltration pond design water surface shall be set back 20 feet from **external tract, easement or property lines**. This may be reduced to 5 feet if the facility soils report addresses the potential impacts of the facility phreatic surface on existing or future structures located on adjacent external lots.

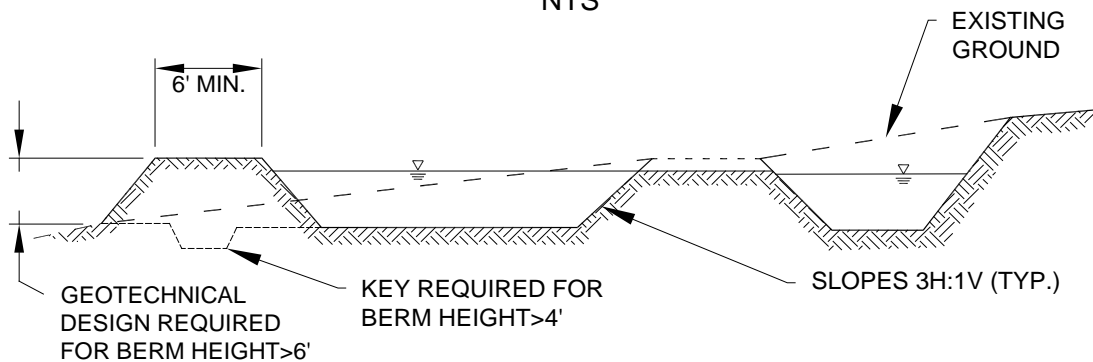
### 5.2.2.2 METHODS OF ANALYSIS

The size of the pond shall be determined using the hydrologic analysis and routing methods described for detention ponds in Chapter 3. The **storage volume** in the pond is used to detain runoff prior to infiltration. The **stage/discharge curve** shall be developed from the design infiltration rate determined according to Section 5.2.1. At a given stage the discharge may be computed using the **area of pervious surface** through which infiltration will occur (which will vary with stage) multiplied by the recommended design infiltration rate (in appropriate units). Berms (which should be constructed of impervious soil such as till), maintenance access roads, and lined swales should not be included in the design pervious surface area.

**FIGURE 5.2.2.A SCHEMATIC REPRESENTATION OF A TYPICAL INFILTRATION POND**



**PLAN VIEW**  
NTS



**SECTION A-A**  
NTS

**NOTE:**  
DETAIL IS A SCHEMATIC REPRESENTATION ONLY. ACTUAL CONFIGURATION WILL VARY DEPENDING ON SPECIFIC SITE CONSTRAINTS AND APPLICABLE DESIGN CRITERIA.

## 5.2.3 INFILTRATION TANKS

Infiltration tanks consist of underground pipe that has been perforated to allow detained stormwater to be infiltrated. A schematic representation of a typical infiltration tank is shown in Figure 5.2.3.A . Infiltration tanks are not allowed in *Zone 1 of the Aquifer Protection Area*.

### 5.2.3.1 DESIGN CRITERIA

#### General

The following criteria for tanks are in addition to the general requirements for infiltration facilities specified in Section 5.2.1:

1. The proposed **tank trench bottom** shall be at least 3 feet above the seasonal high groundwater level and have at least 3 feet of **permeable soil** beneath the trench bottom.
2. Infiltration tanks are **not allowed on slopes greater than 25%** (4H:1V). A geotechnical analysis and report is required if located within 200 feet of a *steep slope hazard area* or *landslide hazard* OR if the facility is located within a setback distance from top of slope equal to the total vertical height of a slope area that is steeper than 15%. The geotechnical analysis must consider cumulative impacts from the project and surrounding areas under full built-out conditions. The infiltration surface elevation (bottom of trench) **must be in native soil** (excavated at least one foot in depth).
3. **Spacing between parallel tanks** shall be calculated using the distance from the lowest trench bottom to the maximum wet season ground water surface (D) and the design width of the trench for a single tank (W). The tank spacing  $S = W^2/D$ , where S is the centerline spacing between trenches (or tanks) in feet. S shall not be less than W, and S need not exceed 2W.
4. Tanks shall be **bedded and backfilled with washed drain rock** that extends at least 1 foot below the bottom of the tank, at least 2 feet but not more than 5 feet beyond the sides, and up to the top of the tank.
5. Drain rock (3 to 1½ inches) shall be completely covered with **filter fabric** prior to backfilling.
6. The **perforations** (holes) in the tank must be one inch in diameter and located in the bottom half of the tank starting at an elevation of 6 inches above the invert of the tank. The number and spacing of the perforations should be sufficient to allow complete utilization of the available infiltration capacity of the soils with a safety factor of 2.0 without jeopardizing the structural integrity of the tank.
7. Infiltration tanks shall have an overflow structure equipped with a **solid bottom riser** (with clean-out gate) and outflow system for safely discharging overflows to the downstream conveyance system or another acceptable discharge point.
8. The criteria for **general design**, materials, structural stability, buoyancy, maintenance access, access roads, and right-of-way shall be the **same as for detention tanks** (see Section 5.1.2.), except for features needed to facilitate infiltration.

#### Setbacks

1. Tanks shall be set back 100 feet from proposed or existing **septic system drainfields**. This setback may be reduced to 30 feet with approval from the Public Health – Seattle & King County.
2. All tanks shall be a minimum of 200 feet from any *steep slope hazard area* or *landslide hazard*. Upon analysis and approval of a licensed geotechnical engineer or engineering geologist, this setback may be reduced to 50 feet. The geotechnical analysis must consider cumulative impacts from the project and surrounding areas under full built- out conditions.
3. All tanks shall be set back a minimum distance from top of slope equal to the total vertical height of a slope area that is steeper than 15%. Upon analysis and approval of a licensed geotechnical engineer or

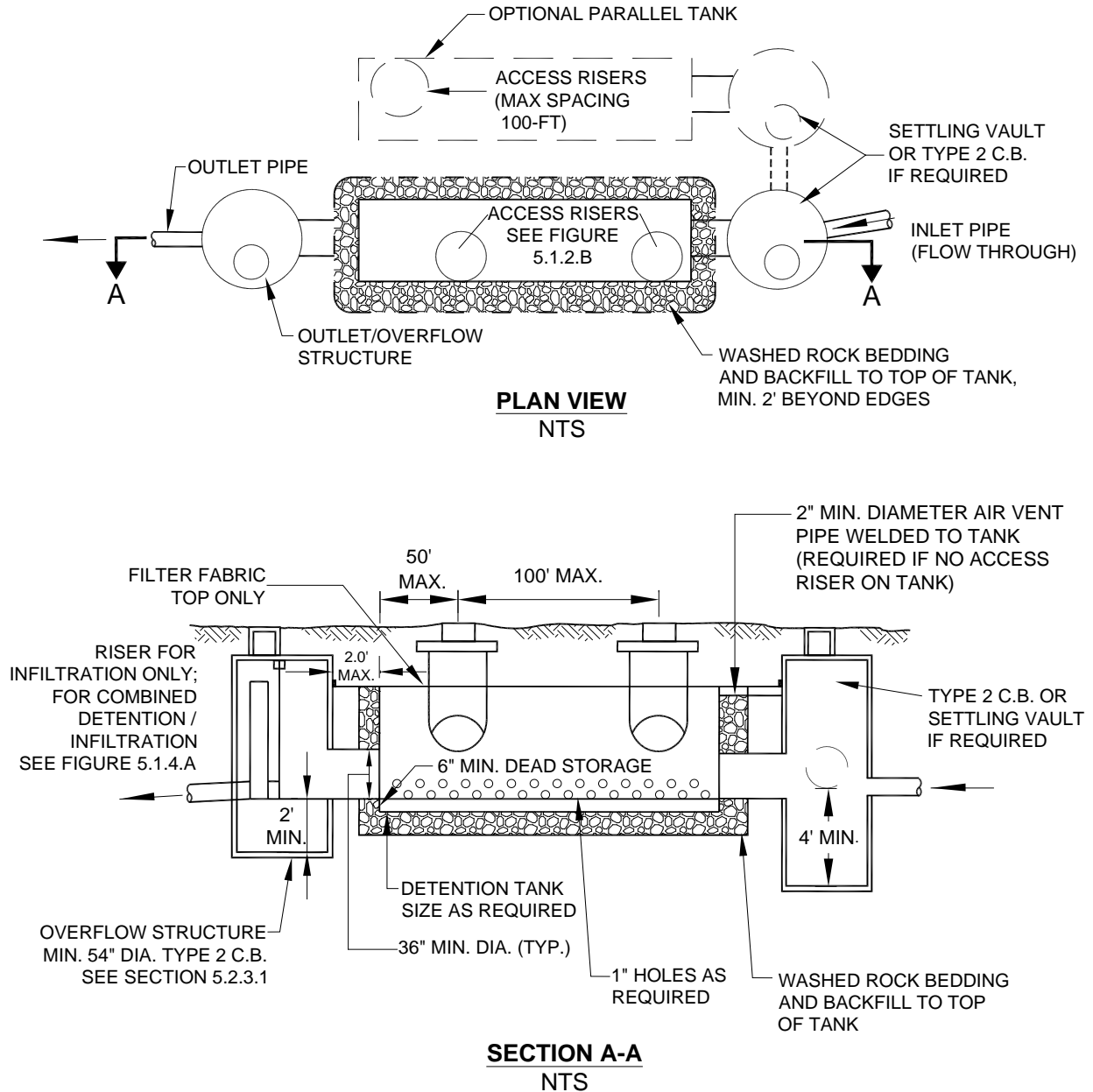
engineering geologist, this setback may be reduced to 50 feet. The geotechnical analysis must consider cumulative impacts from the project and surrounding areas under full built- out conditions.

4. **Building setback lines for adjacent internal lots** shall be 20 feet. These may be reduced to the minimum allowed by zoning if the facility soils report addresses the potential impacts of the facility phreatic surface on structures so located.
5. Infiltration tanks shall be set back 20 feet from **external tract, easement, or property lines**. This may be reduced to 5 feet if the facility soils report addresses the potential impacts of the facility phreatic surface on existing or future structures located on adjacent external lots.

### 5.2.3.2 METHODS OF ANALYSIS

The **size of the tank** shall be determined using the hydrologic analysis and routing methods described in Chapter 3, and the **stage/discharge curve** developed from the recommended design infiltration rate as described in Section 5.2.1. The **storage volume** in the tank is used to detain runoff prior to infiltration with the perforations providing the outflow mechanism. At any given stage, the discharge may be computed using the **area of pervious surface** through which infiltration will occur multiplied by the recommended design infiltration rate (in appropriate units). The area of pervious surface used for determining the potential infiltration from the tank shall be computed by taking the lesser of the trench width, or two times the width of the tank, and then multiplying by the length of the tank (assuming infiltration through the bottom of the trench only).

**FIGURE 5.2.3.A SCHEMATIC REPRESENTATION OF A TYPICAL INFILTRATION TANK**



**NOTES:**

1. ALL METAL PARTS CORROSION RESISTANT. STEEL PARTS STAINLESS STEEL OR ALUMINIZED STEEL, EXCEPT TANK MAY BE GALVANIZED AND ASPHALT COATED (TREATMENT 1 OR BETTER).
2. FILTER FABRIC TO BE PLACED OVER WASHED ROCK BACKFILL PRIOR TO BACKFILLING OVER FACILITY.

## 5.2.4 INFILTRATION VAULTS

Infiltration vaults consist of a bottomless concrete vault structure placed underground in native infiltrative soils<sup>9</sup>. Infiltration is achieved through the native soils at the bottom of the structure.

Infiltration vaults are similar to detention vaults. A schematic representation of a detention vault is shown in Figure 5.1.3.A. Schematic representations of overflow riser are shown in Section 5.1.4. Infiltration vaults are not allowed in *Zone 1 of the Aquifer Protection Area*.

### 5.2.4.1 DESIGN CRITERIA

#### General

The following criteria for vaults are in addition to the general requirements for infiltration facilities specified in Section 5.2.1:

1. The proposed **vault bottom** shall be at least 3 feet above the seasonal high groundwater level and have at least 3 feet of permeable soil beneath the bottom.
2. Infiltration vaults are **not allowed on slopes greater than 25%** (4H:1V). A geotechnical analysis and report is required if located within 200 feet of a *steep slope hazard area* or *landslide hazard* OR if the facility is located within a setback distance from top of slope equal to the total vertical height of the slope area that is steeper than 15%. The geotechnical analysis must consider cumulative impacts from the project and surrounding areas under full built- out conditions.
3. The vault bottom **must be in native soil** (excavated at least one foot in depth).
4. A suitable means to dissipate energy at the inlet is required to prevent scour and may be accomplished by using the detail for the sand filter vault (see Figure 6.5.3.A).
5. Infiltration vaults shall have a **solid bottom riser** (with clean-out gate) and outflow system for safely discharging overflows to the downstream conveyance system or another acceptable discharge point.

#### Structural Stability

All vaults shall meet structural requirements for overburden support, buoyancy, and H-20 vehicle loading. Cast-in-place wall sections shall be designed as retaining walls. Structural designs for vaults must be stamped by a licensed structural engineer unless otherwise approved by CED. Bottomless vaults shall be provided with footings placed on stable, well-consolidated native material and sized considering overburden support, traffic loading (assume maintenance traffic, if placed outside ROW), and lateral soil pressures when the vault is dry. Infiltration vaults shall not be allowed in fill slopes unless analyzed in a geotechnical report for stability. The infiltration surface at the bottom of the vault must be in native soil.

#### Access Requirements

Same as specified for detention vaults in Section 5.1.3.1.

#### Access Roads

Same as specified for detention vaults in Section 5.1.3.1.

#### Right-of-Way

Infiltration vaults to be maintained by the City shall be in a stormwater tract granted and converted with all maintenance obligations (excluding maintenance of drainage facilities contained therein) to the homeowners association. Any tract not abutting public right-of-way will require a 15-foot wide extension of the tract to accommodate an acceptable access location. An underlying easement under and upon said tract shall be dedicated to the City for the purpose of operating, maintaining, improving and repairing the drainage facilities contained therein. The stormwater tract must be owned by the homeowners association. Each lot owner within the subdivision shall have an equal and undivided interest in the maintenance of the

<sup>9</sup> See Section 5.2.1 and Reference Section 6 for UIC definition and UIC well registration requirements for infiltration vaults



stormwater tract. Infiltration vaults to be maintained by a private property owner or homeowners association shall create stormwater facilities within a private tract or easement or construct the infiltration vault onsite.

### Setbacks

1. Infiltration vaults shall be set back 100 feet from proposed or existing **septic system drainfields**. This setback may be reduced to 30 feet with approval from the Public Health – Seattle & King County.
2. Infiltration vaults shall be a minimum of 200 feet from any **steep slope hazard area** or **landslide hazard**. Upon analysis and approval of a licensed geotechnical engineer or engineering geologist, this setback may be reduced to 50 feet. The geotechnical analysis must consider cumulative impacts from the project and surrounding areas under full built- out conditions.
3. Infiltration vaults shall be set back a minimum distance from top of slope equal to the total vertical height of a slope area that is steeper than 15%. Upon analysis and approval of a licensed geotechnical engineer or engineering geologist, this setback may be reduced to 50 feet. The geotechnical analysis must consider cumulative impacts from the project and surrounding areas under full built- out conditions.
4. **Building setback lines for adjacent internal lots** shall be 20 feet. These may be reduced to the minimum allowed by zoning if the facility soils report addresses the potential impacts of the facility phreatic surface on structures so located.
5. Infiltration vaults shall be set back 20 feet from **external tract, easement, or property lines**. This may be reduced to 5 feet if the facility soils report addresses the potential impacts of the facility phreatic surface on existing or future structures located on adjacent external lots.

### 5.2.4.2 METHODS OF ANALYSIS

The **size of the vault** shall be determined using the hydrologic analysis and routing methods described in Chapter 3 and the **stage/discharge curve** developed from the recommended design infiltration rate as described in Section 5.2.1. The **storage volume** in the vault is used to detain runoff prior to infiltration. At any given stage, the discharge may be computed using the **area of pervious surface** through which infiltration will occur (the exposed soil comprising the vault bottom) multiplied by the recommended design infiltration rate (in appropriate units).

## 5.2.5 INFILTRATION TRENCHES

Infiltration trenches can be a useful alternative for developments with constraints that make siting a pond difficult. Infiltration trenches may be placed beneath parking areas, along the *site* periphery, or in other suitable linear areas. Infiltration trenches are not allowed in **Zone 1 of the Aquifer Protection Area**.

### 5.2.5.1 DESIGN CRITERIA

#### General

The following criteria for trenches are in addition to the general requirements for infiltration facilities specified in Section 5.2.1:

1. The proposed **trench bottom** must be at least 3 feet above the seasonal high groundwater level and 3 feet below finished grade.
2. There must be at least 3 feet of **permeable soil** beneath the trench bottom.
3. The infiltration surface elevation (bottom of trench) must be in **native soil** (excavated at least one foot in depth).
4. Infiltration trenches are **not allowed on slopes greater than 25%** (4H:1V). A geotechnical analysis and report is required if located within 200 feet of a **steep slope hazard area** or **landslide hazard** OR if the facility is located within a setback distance from top of slope equal to the total vertical height of the slope area that is steeper than 15%. The geotechnical analysis must consider cumulative impacts from the project and surrounding areas under full built- out conditions. Trenches shall be a minimum of **2 feet wide and no more than 5 feet wide**<sup>10</sup>.
5. Trenches shall be **backfilled with 1½ – ¾-inch washed rock**, completely surrounded by filter fabric and overlain by a minimum 1 foot of compact backfill.
6. Level 6-inch minimum diameter rigid **perforated distribution pipes** shall extend the length of the trench. Distribution pipe inverts shall be a minimum of 2 feet below finished grade. Provisions (such as clean-out wyes) shall be made for cleaning the distribution pipe. The pipe capacity shall be calculated to verify that the distribution pipe has capacity to handle the maximum design flow.
7. Alternative trench-type systems such as **pre-fabricated bottomless chambers** that provide an equivalent system may be used at the discretion of CED.
8. Two feet minimum **cover** shall be provided in areas subject to vehicle loads.
9. Trenches shall be **spaced** no closer than 10 feet, measured on center.

#### Setbacks

1. Trench systems shall be set back 100 feet from proposed or existing **septic system drainfields**. This setback may be reduced to 30 feet with approval from the Public Health – Seattle & King County.
2. Trench systems shall be a minimum of 200 feet from any **steep slope hazard area** or **landslide hazard**. Upon analysis and approval of a licensed geotechnical engineer or engineering geologist, this setback may be reduced to 50 feet. The geotechnical analysis must consider cumulative impacts from the project and surrounding areas under full built- out conditions.
3. Trench systems shall be setback a minimum distance from top of slope equal to the total vertical height of a slope area that is steeper than 15%. Upon analysis and approval of a licensed geotechnical engineer or engineering geologist, this setback may be reduced to 50 feet. The geotechnical analysis must consider cumulative impacts from the project and surrounding areas under full built- out conditions.

<sup>10</sup> See Section 5.2.1 and Reference Section 6 for UIC definition and UIC well registration requirements for infiltration trenches.

4. A minimum 5-foot setback is required between any part of the trench system and any property line.
5. **Structures** shall be set back 20 feet from individual trenches. This may be reduced if the facility soils report addresses potential impacts of trench phreatic surface on structures so located.

### 5.2.5.2 METHODS OF ANALYSIS

The sections and lengths of trenches shall be determined using the hydrologic analysis and routing methods for flow control design described in Chapter 3. The **stage/discharge curve** shall be developed from the design infiltration rate recommended by the soils engineer, as described in Section 5.2.1.

**Storage volume** of the trench system shall be determined considering void space of the washed rock backfill and maximum design water surface level at the crown of the distribution pipe. At any given stage, the discharge may be computed using the **area of pervious surface** through which infiltration will occur (trench bottom area only) multiplied by the recommended design infiltration rate (in appropriate units).

## 5.2.6 ALTERNATIVE INFILTRATION SYSTEMS

Manufacturers have developed other systems made with pre-cast plastic that have properties in common with vaults, tanks, and trenches, but that do not conform to the standards for those facility types. These systems may be approved by CED using suitable design standards adapted from the established standards for similar systems<sup>11</sup>.

### 5.2.6.1 DESIGN CRITERIA

#### General

The following criteria for alternative systems are in addition to the general requirements for infiltration facilities specified in Section 5.2.1:

1. The proposed infiltration surface must be at least 3 feet above the seasonal high groundwater level.
2. There must be at least 3 feet of **permeable soil** beneath the infiltration surface.
3. The infiltration surface elevation must be in **native soil** (excavated at least one foot in depth).
4. Infiltration systems are **not allowed on slopes greater than 25%** (4H:1V). A geotechnical analysis and report is required if located within 200 feet of a **steep slope hazard area** or **landslide hazard** OR if the facility is located within a setback distance from top of slope equal to the total vertical height of the slope area that is steeper than 15%. The geotechnical analysis must consider cumulative impacts from the project and surrounding areas under full built- out conditions.
5. Systems shall be **backfilled with 1½ – ¾-inch washed rock or similar material**, completely surrounded by filter fabric and overlain by a minimum 1 foot of compact backfill.
6. Two feet minimum **cover** shall be provided in areas subject to vehicle loads.
7. **Chambers** shall be spaced **no more than 10 feet apart** as measured from the adjacent edges. Inflow pipes or a manifold system shall be connected to each infiltration chamber. Inspection and maintenance access to each chamber shall be provided as deemed necessary by the City.

#### Setbacks

1. Alternative systems shall be set back 100 feet from proposed or existing **septic system drainfields**. This setback may be reduced to 30 feet with approval from the Public Health – Seattle & King County.

<sup>11</sup> See Section 5.2.1 and Reference Section 6 for UIC definition and UIC well registration requirements for alternative infiltration systems.

2. Alternative systems shall be a minimum of 200 feet from any ***steep slope hazard area or landslide hazard***. Upon analysis and approval of a licensed geotechnical engineer or engineering geologist, this setback may be reduced to 50 feet. The geotechnical analysis must consider cumulative impacts from the project and surrounding areas under full built- out conditions.
3. Alternative systems shall be setback a minimum distance from top of slope equal to the total vertical height of a slope area that is steeper than 15%. Upon analysis and approval of a licensed geotechnical engineer or engineering geologist, this setback may be reduced to 50 feet. The geotechnical analysis must consider cumulative impacts from the project and surrounding areas under full built- out conditions. **Structures** shall be set back 20 feet from infiltration systems. This may be reduced if the facility soils report addresses potential impacts of trench phreatic surface on structures so located.
4. Alternative systems shall be set back at a minimum distance from property lines consistent with the setback criteria for vaults, tanks and trenches, whichever applies.

### 5.2.6.2 METHODS OF ANALYSIS

The sizing and layout of the system shall be determined using the hydrologic analysis and routing methods for flow control design described in Chapter 3, using the approved continuous runoff model. The **stage/discharge curve** shall be developed from the design infiltration rate recommended by the soils engineer, as described in Section 5.2.1. **Storage volume** of the system shall be determined considering void space of the washed rock backfill and the volume contained in system elements. At any given stage, the discharge may be computed using the **area of pervious surface** through which infiltration will occur multiplied by the recommended design infiltration rate (in appropriate units).

## 5.2.7 SMALL INFILTRATION BASINS

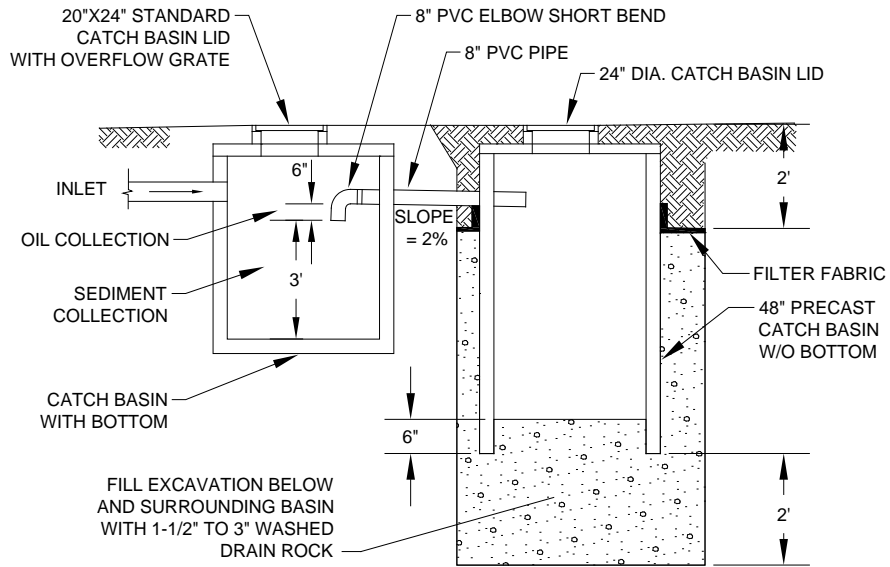
Small infiltration basins consist of a bottomless, precast concrete catch basin or equivalent structure placed in an excavation filled with washed drain rock. Stormwater infiltrates through the drain rock into the surrounding soil. This facility is intended for use with contributing surface areas of less than 5,000 square feet. Presettlement is most easily provided by a catch basin or manhole with a turned-down elbow; see Figure 5.2.7.A for a schematic representation. If water quality treatment is required by Core Requirement #8 or Special Requirement #5, runoff from pollution-generating impervious surfaces must be treated before it enters the infiltration portion of the system.

### 5.2.7.1 DESIGN CRITERIA

The design criteria for small infiltration basins are the same as for infiltration tanks (see Sections 5.2.1 and 5.2.3), except that only one infiltration rate test and soil log is required for each small infiltration basin. Access into the basins shall be provided for inspection and maintenance. Designs may incorporate Type II catch basins, but equivalent designs using other materials may be accepted<sup>12</sup>.

<sup>12</sup> See Section 5.2.1 and Reference Section 6 for UIC definition and UIC well registration requirements. Careful consideration of the catch basin or structure to be used may avoid the requirement to register.

**FIGURE 5.2.7.A SCHEMATIC REPRESENTATION OF A SMALL INFILTRATION BASIN**



**SECTION**  
NTS

*(This page intentionally left blank.)*

---

# CHAPTER 6

## WATER QUALITY DESIGN



### CITY OF RENTON

# SURFACE WATER DESIGN MANUAL

Section	Page
<b>6.1 Water Quality Menus</b>	<b>6-3</b>
6.1.1 Basic Water Quality Menu	6-5
6.1.2 Enhanced Basic Water Quality Menu	6-8
6.1.3 Sensitive Lake Protection Menu	6-10
6.1.4 Sphagnum Bog Protection Menu	6-14
6.1.5 High-Use Menu	6-15
6.1.6 Pretreatment Facilities	6-17
<b>6.2 General Requirements for WQ Facilities</b>	<b>6-19</b>
6.2.1 Water Quality Design Flows and Treatment Volumes	6-19
6.2.2 Sequence of Facilities	6-22
6.2.3 Setbacks, Slopes, and Embankments	6-24
6.2.4 Facility Liners	6-28
6.2.5 Flow Splitter Designs	6-32
6.2.6 Flow Spreading Options	6-36
<b>6.3 Vegetated Flowpath Facility Designs</b>	<b>6-41</b>
6.3.1 Basic Bioswales	6-41
6.3.2 Wet Bioswales	6-57
6.3.3 Lateral Inflow Bioswales	6-59
6.3.4 Standard Filter Strips	6-60
6.3.5 Narrow Area Filter Strips	6-68
<b>6.4 Wetpool Facility Designs</b>	<b>6-69</b>
6.4.1 Wetponds — Basic and Large	6-69
6.4.2 Wetvaults	6-84
6.4.3 Stormwater Wetlands	6-90
6.4.4 Combined Detention and Wetpool Facilities	6-96
<b>6.5 Filtration Facility Designs</b>	<b>6-101</b>
6.5.1 General Requirements For Filtration Facilities	6-101
6.5.2 Sand Filters — Basic and Large	6-102
6.5.3 Sand Filter Vaults	6-118
6.5.4 Linear Sand Filters	6-123
<b>6.6 Oil Control Facility Designs</b>	<b>6-127</b>
6.6.1 Catch Basin Inserts	6-127
6.6.2 Oil/Water Separators	6-127
<b>6.7 Proprietary Facility Designs</b>	<b>6-141</b>
6.7.1 Ecology Requirements	6-141
6.7.2 City of Renton Requirements	6-141
<b>6.8 Bioretention Facility Designs</b>	<b>6-145</b>
6.8.1 Bioretention	6-145

<b>6.9</b>	<b>WSDOT WQ Facility Designs</b>	<b>6-159</b>
6.9.1	Media Filter Drain	6-159
6.9.2	Compost-Amended Filter Strips	6-169
6.9.3	Compost-Amended Biofiltration Swales	6-170



# CHAPTER 6

## WATER QUALITY DESIGN

This chapter presents the City of Renton approved methods, criteria, and details for analysis and design of water quality facilities pursuant to Core Requirement #8, discussed in Section 1.2.8, and Special Requirement #5, discussed in Section 1.3.5.

### Chapter Organization

The information in this chapter is organized into the following nine main sections.

- Section 6.1, “**Water Quality Menus**,” details the **area-specific water quality menus** referred to in Core Requirement #8 of Chapter 1, and the **High-Use Menu** referred to in Special Requirement #5, also in Chapter 1.
- Section 6.2, “**General Requirements for WQ Facilities**,” presents general design requirements and details pertinent to all water quality facilities.
- Section 6.3, “**Vegetated Flowpath Facility Designs**,” presents the details for analysis and design of **bioswales** and **filter strips**.
- Section 6.4, “**Wetpool Facility Designs**,” presents the details for analysis and design of **wetpools**, **wetvaults**, **stormwater wetlands**, and combinations of these facilities with detention facilities.
- Section 6.5, “**Filtration Facility Designs**,” presents the details for analysis and design of **sand filters**.
- Section 6.6, “**Oil Control Facility Designs**,” presents the details for analysis and design of **catch basin inserts** and coalescing-plate **oil/water separators**.
- Section 6.7, “**Proprietary Facility Designs**,” discusses general considerations for proprietary manufactured facilities, including summary notes regarding City requirements for approval for use of these systems. This section points to Reference Section 14-A and Reference Section 14-B, which includes design and maintenance considerations for proprietary facilities which have been approved by the City.
- Section 6.8, “**Bioretention Facility Designs**,” presents the details for analysis and design of **bioretention facilities**.
- Section 6.9, “**WSDOT WQ Facility Designs**,” presents the details for analysis and design of media filter drains, compost-amended vegetated filter strips, and compost-amended biofiltration swales.

### Required vs. Recommended Design Criteria

Both required and recommended design criteria are presented in this chapter. Criteria stated using “shall” or “must” are mandatory, to be used unless there is a good reason to deviate as allowed under the adjustment process in Section 1.4. These criteria are **required design criteria** and generally affect facility performance or critical maintenance factors.

Sometimes options are stated as part of the required design criteria using the language “should” or “may.” These criteria are **recommended design criteria**, but are closely related to the required criteria, so they

are placed in the same section. In some cases, **recommended design features** are presented under a separate heading in the “Design Criteria” sections.

### **Design Criteria Applicable To All Facilities**

All facilities must be designed and constructed to allow inspection and maintenance.

### **Use of Chapter 6 Figures**

The figures included in this chapter are provided as schematic representations and should not be used for design. Refer to the *City of Renton Standard Details* for specific design information. The figures provided in this chapter illustrate **one example** of how the WQ facility design criteria may be applied. Although the figures are meant to illustrate many of the most important design criteria, they may not show **all** criteria that apply. In general, the figures are not used to specify requirements unless they are indicated elsewhere in the manual. If this manual refers to a standard detail not included in the *City of Renton Standard Details*, the applicant shall use the figures provided in the manual.<sup>1</sup>

### **Water Quality Facility Sizing Worksheets**

To make the water quality facility sizing methods more standardized for plan review purposes, sizing worksheets are included in Reference Section 8-C for the major water quality facilities. These worksheets are based on the step by step sizing methods given for the water quality facilities in this Chapter. Most design criteria that are not required for facility sizing are omitted from the worksheets. It is the designer’s responsibility to make sure that all the required design criteria for each water quality facility are provided on submitted plans. Facility sizing credits for water quality facilities may be used as allowed and specified in Chapter 1, Section 1.2.9.3 “Requirements for Use of BMP Credits.”

Please note that the worksheets are dated in the footer of each page. It is the designer’s responsibility to ensure that any Manual updates affecting the sizing procedure or design criteria after that date are incorporated into the worksheet. Updates, errata, and clarifications are posted at the City of Renton’s Surface Water Design Standards website: <<http://rentonwa.gov/government/default.aspx?id=7122>>.

If there are instances in which the worksheet differs from the design criteria in the text of this Chapter, the criteria as given in this Chapter, and as modified by subsequent updates, shall be considered the governing criteria.

---

<sup>1</sup> Footnote 1 is not used.

## 6.1 WATER QUALITY MENUS

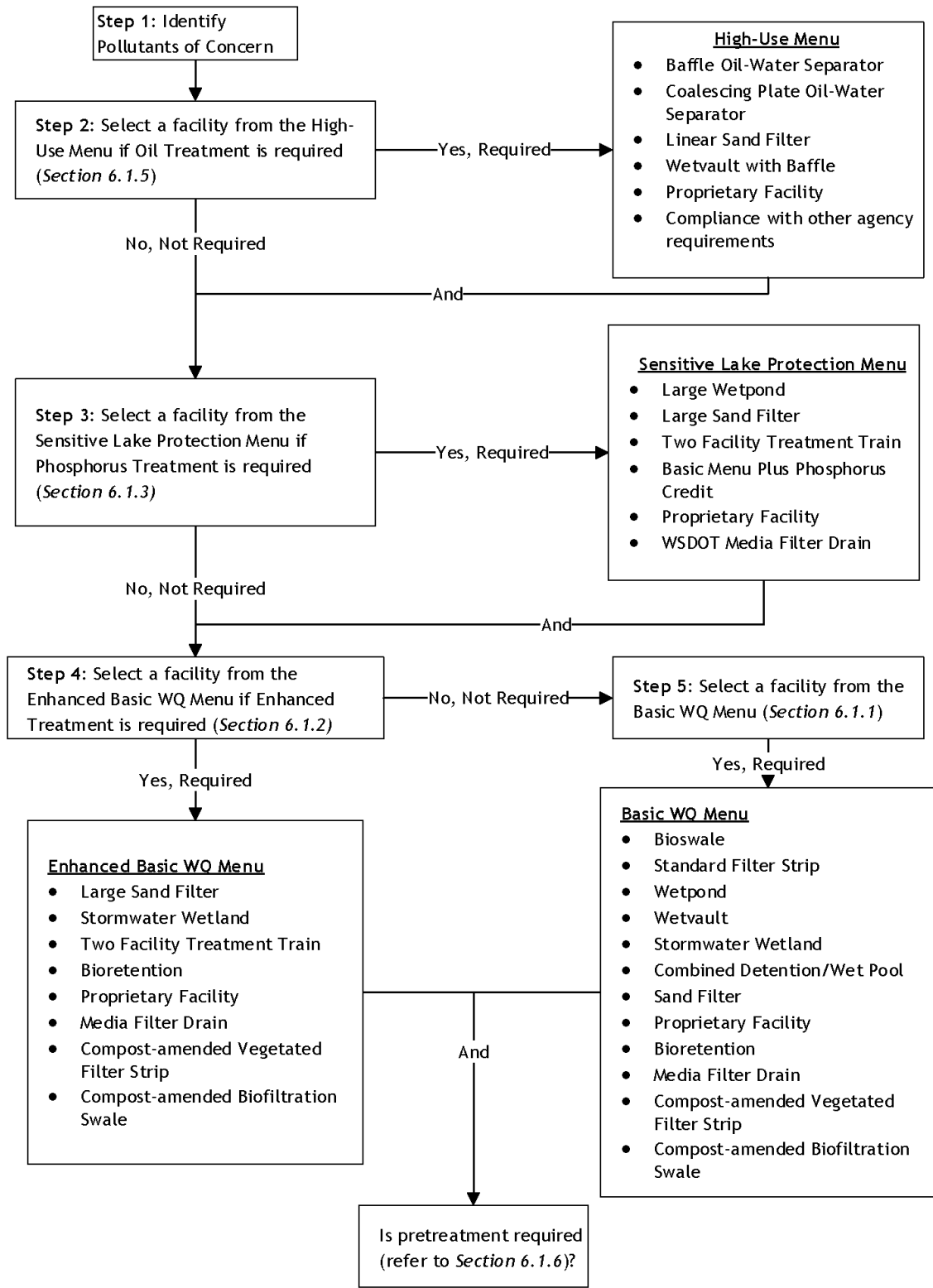
This section identifies facility choices and, in some cases, non-structural options that comprise the water quality (WQ) menus referred to in Chapter 1. The menus covered in this section and summarized in Figure 6.1.A are as follows:

- “Basic Water Quality Menu,” Section 6.1.1
- “Enhanced Basic Water Quality Menu,” Section 6.1.2
- “Sensitive Lake Protection Menu,” Section 6.1.3
- “Sphagnum Bog Protection Menu,” Section 6.1.4
- “High-Use Menu,” Section 6.1.5

### Guide to Applying Water Quality Menus

1. Check the exemption language on Section 1.2.8 to determine if or which **threshold discharge areas** of the **project site** must provide WQ treatment per Core Requirement #8.
2. Use the Basic WQ treatment areas Section 1.2.8.1.A to determine if basic or enhanced treatment is required.
3. Consult Section 1.2.8.1 for other design requirements, allowances, and flexible compliance provisions related to implementing water quality treatment.
4. Read the implementation requirements in Chapter 1 (Section 1.2.8.2) that address pollution generating pervious surface. For some WQ menus, and in some situations, the facility requirements for these surfaces are eased.
5. Determine if your project fits the definition of a **high-use site** (see Special Requirement #5 in Chapter 1). If it does, or if you elect to provide enhanced oil pollution control, choose one of the options presented in the High-Use menu, Section 6.1.5. Detailed designs for oil control facilities are given in Section 6.6.
6. General water quality facility requirements (see Section 6.2) apply to all menus and may affect the placement of facilities on your **site**.

**FIGURE 6.1.A WATER QUALITY TREATMENT FACILITY SELECTION FLOW CHART**



## 6.1.1 BASIC WATER QUALITY MENU

**Where applied:** Basic WQ Treatment Areas are designated by the City of Renton where a general, cost-effective level of treatment is sufficient for most land uses. Some land uses, however, will need an increased level of treatment because they generate high concentrations of metals in stormwater runoff and acute concentrations of metals in streams are toxic to fish. The treatment facility requirements for Basic WQ Treatment Areas provide for this increase in treatment. For precise details on the application of this and other water quality menus, refer to Section 1.2.8, “Core Requirement #8: Water Quality.”

**Treatment goal:** The Basic Water Quality menu facility choices are designed to remove 80 percent of total suspended solids<sup>2</sup> (TSS) for flows or volumes up to and including the WQ design flow or volume (defined in Section 6.2.1). Flows and volumes in excess of the WQ design flow or volume may be routed around the WQ facility or may be passed through untreated.

**Basis:**

“The use of TSS as an ‘indicator’ pollutant for sediment is well established.”<sup>3</sup>

“The control of TSS leads to indirect control of other pollutants of concern that can adhere to suspended solids in stormwater runoff.”<sup>3</sup>

“80% TSS removal level is reasonably attainable using properly designed, constructed and maintained structural stormwater BMPs (for typical ranges of TSS concentration found in stormwater runoff).”<sup>3</sup>

For higher removal rates, there are diminishing returns, and relatively less treatment is gained for incremental increases in facility size.

WA Ecology’s TAPE<sup>4</sup> guidance finds 80% removal to be achievable by and a suitable criterion for proprietary “emerging” technologies.

### □ BASIC WQ OPTION 1 — BIOSWALE

A *bioswale* is a long, gently sloped, vegetated ditch designed to settle out pollutants from stormwater. Grass is the most common vegetation used. Design details are given in Section 6.3.1. The wet bioswale (see Section 6.3.2) is a variation of the basic bioswale for use where soils drain poorly, the longitudinal slope is slight (1.5 percent or less), water tables are high, or continuous base flow is likely to result in saturated soil conditions. Under such conditions, healthy grass growth is not possible and wetland plants are used instead. The lateral inflow bioswale (see Section 6.3.3) may be used in situations such as roadways and parking lots where water enters the swale along the side rather than at one discrete inflow point at the head of the swale summarizes when the bioswale and its variations are to be applied.

<sup>2</sup> The influent concentration range for demonstrated pollutant removal is 100 to 200 mg/L. For influent concentrations lower than 100mg/l the effluent goal is equal to or less than 20 mg/l. For influent concentrations greater than 200 mg/l, the goal is greater than 80% TSS removal.

<sup>3</sup> Source: Knox County Tennessee Stormwater Management Manual, Volume 2, Technical Guidance. Date unknown. Accessed 2014/02/14.

<sup>4</sup> Ecology, WA. 2011. Technical Guidance Manual for Evaluating Emerging Stormwater Treatment Technologies: Technology Assessment Protocol – Ecology (TAPE). In Publication No. 11-10-061, 1-73. Lacey, WA: Washington State Department of Ecology. <<https://fortress.wa.gov/ecy/publications/summarypages/1110061.html>>; <<https://fortress.wa.gov/ecy/publications/publications/1110061.pdf>>.

TABLE 6.1.1.A SELECTION OF BIOSWALE TYPE APPROPRIATE FOR SITE	
Site Circumstances	Bioswale Type
Flow enters at head of swale <ul style="list-style-type: none"> <li>• Longitudinal slope 1.5% or less OR</li> <li>• Located downstream of a Flow Control Duration Standard or Flood Problem Flow Control detention facility</li> </ul>	Wet bioswale (Section 6.3.1)
Flow enters at head of swale <ul style="list-style-type: none"> <li>• Longitudinal slope between 1 and 2%</li> <li>• Soil saturation or base flows likely in wet season</li> </ul>	EITHER wet bioswale (Section 6.3.2), OR basic bioswale (Section 6.3.1), depending on site; may require underdrain or low-flow drain.
Flow enters at head of swale <ul style="list-style-type: none"> <li>• Longitudinal slope between 2% and 5%</li> <li>• Base flows may or may not be likely in wet season</li> <li>• Not downstream of Flow Control Duration Standard or Flood Problem Flow Control detention facility</li> </ul>	Basic bioswale (Section 6.3.1); may require low-flow drain, depending on site
Along a roadway or parking lot with: <ul style="list-style-type: none"> <li>• Sheet inflow into the bioswale, OR</li> <li>• Numerous discrete inflows with no single inflow contributing more than about 10% of total swale flow</li> </ul>	Lateral inflow bioswale (Section 6.3.3)

#### ❑ BASIC WQ OPTION 2 — FILTER STRIP

A *filter strip* is a gently sloped grassed area which treats stormwater runoff from adjacent paved areas before it concentrates into discrete channels; see Section 6.3.4 for design details. TSS removal is achieved by particle settling.

#### ❑ BASIC WQ OPTION 3 — WETPOND

*Wetponds* are stormwater ponds that maintain a pool of water for most of the year. Stormwater entering the pond is treated during the relatively long residence time within the pond. Wetpond volume described in Section 6.2.1 for the Basic treatment menu is determined directly by the approved continuous runoff model. Alternatively, the manual sizing method provided for use in this manual calculates the wetpond volume based on a method developed by the Natural Resources Conservation Service (NRCS, formerly the Soil Conservation Service [SCS]). See Section 6.4.1 for design details.

#### ❑ BASIC WQ OPTION 4 — WETVAULT

An underground vault may be used to comply with the Basic Water Quality menu. The treatment volume is the same as for the basic wetpond; see Section 6.4.2 for design details.

#### ❑ BASIC WQ OPTION 5 — STORMWATER WETLAND

A *stormwater wetland* uses biological processes of plant uptake and bacterial degradation as well as physical and chemical processes, e.g., stilling, and gravity settling to remove pollutants. The footprint of the stormwater wetland is sized based on the wetpond sizing, but the depth of water in the second cell is reduced to encourage plant growth; see Section 6.4.3 for design details.

#### ❑ BASIC WQ OPTION 6 — COMBINED DETENTION AND WETPOOL FACILITIES

This option allows the wetpond, wetvault, or stormwater wetland to be placed under the detention facility live storage. Where *site* conditions permit its use, this option occupies less space than separate siting of

detention and water quality facilities. The basic wetpond portion of the combined facility is sized using the same method as the wetpond in Option 3; see Section 6.4.4 for design details.

#### ❑ BASIC WQ OPTION 7 — SAND FILTER

A *sand filter* is a land depression, pond, or vault, with a bed of sand near the bottom. Stormwater is treated as it percolates downward through the sand layer. Removal efficiency for sand filters is much less sensitive to particle density distribution as compared to that of particle settling facilities (e.g., ponds, vaults, bioswales), which include an assumption that the particle density is close to that of silica sand.

Sand filters may be built as open ponds, underground vaults or linear perimeter trenches; see Section 6.5.2 for basic and large sand filters, Section 6.5.3 for sand filter vaults, and Section 6.5.4 for linear sand filters. A sand layer may also be installed above an infiltration pond or vault to treat stormwater before it infiltrates. *Note: Presettling is required prior to sand filtration as described in Section 6.5.1.*

#### ❑ BASIC WQ OPTION 8 — PROPRIETARY FACILITIES

Most proprietary facilities for basic treatment are cartridge filters, although there are some media filter designs that do not involve cartridges. A cartridge filter system is a flow-through stormwater filtration system comprised of a manhole or vault that houses one or more media-filled or porous membrane cartridges through which stormwater is filtered.

*Note: a presettling cell or facility is required for both cartridge filters and for non-cartridge media filters.*

Approved proprietary facilities are listed in Table 6.1.1.B as well as in Reference Section 14-A and 14-B of this manual. Section 1.4 of Chapter 1 and Reference Section 8 provide relevant information on the process necessary to obtain approvals of other proprietary facilities.

TABLE 6.1.1.B PROPRIETARY FACILITIES ON THE BASIC WQ MENU		
Proprietary Facility Name	Publicly Maintained	Privately Maintained
BayFilter	X	X
MWS-Linear Modular Wetland		X
Filtterra System	X	X
Filtterra Bioscape		X
Media Filtration System		X
StormFilter using PhosphoSorb Media		X
StormFilter using ZPG Media	X	X
FloGard Perk Filter	X	X
EcoStorm Plus		X
Other Facilities with a General Use Level Designation (GULD) for Basic Treatment		X

#### ❑ BASIC WQ OPTION 9 — BIORETENTION

A *bioretention* facility is a shallow landscaped depression designed to temporarily store and promote infiltration of stormwater runoff; see Section 6.8. Where bioretention is intended to fully meet treatment requirements for its drainage area, it must be designed, using an approved continuous runoff model, to pass at least 91% of the influent runoff file through the imported soil mix.

#### ❑ BASIC WQ OPTION 10 — WSDOT WQ FACILITIES

WSDOT has developed several water quality facilities that may be used to meet basic water quality. These facilities include the *media filter drain* or MFD (formerly known as the Ecology Embankment), compost-

amended vegetated filter strips (*CAVFS*), and compost-amended biofiltration swales (*CABS*); see Section 6.9.

The MFD is a linear flow-through treatment facility that includes four basic components: a gravel no-vegetation zone, a grass strip, the MFD mix bed, and a conveyance system for flows leaving the MFD mix (typically a gravel-filled underdrain trench or a layer of crushed surfacing base course). MFDs are typically used in areas with limited right-of-way such as highway side slopes, medians, ditches and other linear depressions.

CAVFS and CABS are variations of the basic vegetated filter strip and bioswale, respectively, which incorporate compost to provide Enhanced Basic WQ treatment. The addition of compost into native soils also improves plant health and sustainability, increases surface roughness, and improves infiltration capacity.

## 6.1.2 ENHANCED BASIC WATER QUALITY MENU

**Where applied:** The Enhanced Basic Water Quality menu<sup>5</sup> is applied where an enhanced level of treatment is required for those development *sites* with land uses that generate the highest concentrations of metals in stormwater runoff and drain by surface flows to a fish-bearing stream. Metals including but not limited to copper and zinc are toxic to fish and other aquatic biota.<sup>6</sup> For precise details on the application of this and other water quality menus, refer to Section 1.2.8, “Core Requirement #8: Water Quality Facilities.”

*Note: The Enhanced Basic menu is a stand-alone menu. It integrates the Basic menu level of protection (TSS removal) and the additional measures needed to achieve a higher level of metals removal. When this menu is required in Basic WQ Treatment Areas per Section 1.2.8.1.A of Core Requirement #8, it is intended to replace the Basic WQ menu on development sites or portions of development sites that generate the highest concentrations of metals in stormwater runoff. When this menu is required in Sensitive Lake WQ Treatment Areas per Section 1.2.8.1.B, it is intended to be combined with the Sensitive Lake Protection Menu such that a facility design option common to both menus must be used.*

**Treatment goal:** The Enhanced Basic WQ menu is designed to achieve > 30% dissolved copper removal and > 60% dissolved zinc removal; in addition to Basic treatment (80% TSS removal) for flows up to and including the WQ design flow or volume (defined in Section 6.2.1). The goal assumes that dissolved copper concentrations for untreated runoff are between 5 and 20 micrograms per liter (*u/L*), and that dissolved zinc concentrations for untreated runoff are between 20 and 300 micrograms per liter (*ug/L*).<sup>7</sup>

**Basis:** The treatment goal is expressed in terms of dissolved copper and zinc removal. Copper and zinc are reliable indicators of a wider range of heavy metals and are typically found in stormwater runoff from industrial, commercial, and high density residential land uses at levels that are toxic to fish and other aquatic biota. Many metals are readily adsorbed onto particulates in the runoff, usually the finer fraction of the particulates. Facility combinations that remove more of the particulate load than the Basic menu, including the finer fraction, are specified by the Enhanced Basic menu. Facilities providing organic binding sites that enhance metal adsorption are also specified. The treatment goals have been found by WA Ecology to be achievable.

### □ ENHANCED BASIC OPTION 1 — LARGE SAND FILTER

This option includes use of a **large sand filter**, **large sand filter vault**, or **large linear sand filter**. Sizing specifications for these facilities can be found in Sections 6.5.2, 6.5.3, and 6.5.4, respectively. *Note: Presettling is required prior to sand filtration as described in Section 6.5.1.*

<sup>5</sup> The Enhanced Basic WQ menu targets different pollutants than the lake or bog protection menus. It does not necessarily provide a higher level of treatment except for the target pollutant, metal contaminants.

<sup>6</sup> Other metals, e.g., lead, are toxic to humans and may build up in sediments.

<sup>7</sup> This goal assumes total zinc concentrations for untreated runoff are between 0.10 and 0.25 milligrams per liter (mg/L).



### ❑ ENHANCED BASIC OPTION 2 — STORMWATER WETLAND

Provision of a **stormwater wetland** (see Section 6.4.3) or **combined detention and stormwater wetland** (see Section 6.4.4) satisfies the Basic (TSS) and Enhanced Basic (dissolved copper and zinc) removal goals without additional facilities.

### ❑ ENHANCED BASIC OPTION 3 — TWO-FACILITY TREATMENT TRAIN

This option uses one of the basic water quality treatment options listed in followed by a basic sand filter (see Section 6.5.2), sand filter vault (see Section 6.5.3), or a linear sand filter (see Section 6.5.4).

<b>TABLE 6.1.2.A PAIRED FACILITIES FOR ENHANCED BASIC TREATMENT TRAIN, OPTION 3</b>	
<b>First Basic WQ Facility:</b>	<b>Second WQ Facility:</b>
Bioswale (Sections 6.3.1, 6.3.2, and 6.3.3)	Basic sand filter or sand filter vault (Section 6.5.2 or 6.5.3) or proprietary facility <sup>8</sup>
Filter strip (Sections 6.3.4 and 6.3.5)	Linear sand filter (Section 6.5.4) with no presettling cell needed
Linear sand filter (Section 6.5.4)	Filter strip (Sections 6.3.4 and 6.3.5)
Basic wetpond (Section 6.4.1)	Basic sand filter or sand filter vault (Section 6.5.2 or 6.5.3) or proprietary facility <sup>8</sup>
Wetvault (Section 6.4.2)	Basic sand filter or sand filter vault (Section 6.5.2 or 6.5.3) or proprietary facility <sup>8</sup>
Basic combined detention and wetpool facility (Section 6.4.4)	Basic sand filter or sand filter vault (Section 6.5.2 or 6.5.3) or proprietary facility <sup>8</sup>
Basic sand filter or sand filter vault (Sections 6.5.2 or 6.5.3). <i>A presettling cell is required if the sand filter is not preceded by a detention facility.</i>	Proprietary facility <sup>8</sup>
Proprietary facility approved by the City for Basic WQ <sup>8</sup> (Section 6.7)	Basic sand filter or sand filter vault (Section 6.5.2 or 6.5.3)

### ❑ ENHANCED BASIC OPTION 4 — BIORETENTION

Provision of a **bioretention** facility (see Section 6.4.3) satisfies the Basic (TSS) and Enhanced Basic (dissolved copper and zinc) removal goals without additional facilities. Stormwater runoff that infiltrates through the imported soil mix will have received Enhanced Basic treatment.

### ❑ ENHANCED BASIC OPTION 5 — PROPRIETARY FACILITY

Section 6.7, “Proprietary Facility Designs,” discusses general considerations for proprietary manufactured facilities. Current approvals for publicly and privately maintained systems are included in Table 6.1.2.B and Reference Section 14-A and 14-B.

<sup>8</sup> See Reference Section 14-A for City-approved proprietary facilities.

TABLE 6.1.2.B PROPRIETARY FACILITIES ON THE ENHANCED BASIC WQ MENU		
Proprietary Facility Name	Publicly Maintained	Privately Maintained
MWS-Linear Modular Wetland		X
Filtterra System	X	X
Filtterra Bioscape		X
Other Facilities with a General Use Level Designation (GULD) for Phosphorus Treatment		X

#### ☐ ENHANCED BASIC OPTION 6 — WSDOT WQ FACILITIES

Provision of a **MFD, CAVFS, or CABS** (see Section 6.4.3) satisfies the Basic (TSS) and Enhanced Basic (dissolved copper and zinc) removal goals without additional facilities.

### 6.1.3 SENSITIVE LAKE PROTECTION MENU

This section is not currently applicable to the City of Renton.

**Where applied:** The Sensitive Lake Protection menu is applied to the watersheds of lakes that have been determined to be particularly sensitive to phosphorus and that are being managed to reduce water quality impacts. This menu applies to stormwater conveyed to the lake by surface flow as well as to stormwater infiltrated within one-quarter mile of the lake in soils with high infiltration rates (i.e., measured rate exceeding 9 inches per hour). If stormwater is infiltrated further than one-quarter mile from the lake, then the Basic WQ menu is applied unless the project is exempt from Core Requirement #8 per Section 1.2.8. For precise details on the application of this and other area-specific water quality menus, refer to Section 1.2.8, “Core Requirement #8: Water Quality.”

*Note: The Sensitive Lake Protection menu is a **stand-alone menu**. It integrates the Basic WQ menu level of protection (TSS removal) and the additional protection needed to achieve lake protection goals in the options described below. When this menu is required as specified in Core Requirement #8 (see Section 1.2.8), it is intended to replace the Basic WQ menu in the watersheds of sensitive lakes.*

**Treatment goal:** The Lake Protection menu is designed to achieve a goal of 50 percent total phosphorus (TP) removal for the WQ design flow or volume (defined in Section 6.2.1), assuming typical forms and concentrations of phosphorus in untreated stormwater runoff.<sup>9</sup>

**Basis:** The Lake Protection menu will result in removal of more of the TSS load, including more of the finer fraction of TSS, than the Basic menu. The additional increment of solids removal will also provide enough phosphorus removal to meet the TP goal stated above.

#### ☐ LAKE PROTECTION OPTION 1 — LARGE WETPOND

The 50 percent TP removal goal can be satisfied by use of a **large wetpond** or **large combined detention and wetpond** sized so that the wetpond volume is 1.5 times the Basic water quality volume as determined either by the approved continuous runoff model or as calculated using the manual method described in Section 6.4.1. See Section 6.4.1.1 for the large wetpond design, and Section 6.4.4.1 for the large combined pond design.

*Note: A large wetvault option is not included in this menu since the biological processes thought to remove phosphorus do not take place in underground vaults.*

<sup>9</sup> Typical TP concentrations in untreated Seattle-area runoff are considered to be between 0.10 and 0.50 mg/L. For projects that are expected to generate higher levels of TP, such as animal husbandry operations, a higher treatment goal may be appropriate.

### ☐ LAKE PROTECTION OPTION 2 — LARGE SAND FILTER

This option includes use of a **large sand filter**, **large sand filter vault**, or **large linear sand filter**. Sizing specifications for these facilities can be found in Sections 6.5.2, 6.5.3, and 6.5.4, respectively.

*Note: Presettling is required prior to sand filtration as described in Section 6.5.1.*

### ☐ LAKE PROTECTION OPTION 3 — TWO-FACILITY TREATMENT TRAIN

This option involves use of one of the basic water quality treatment options, listed in Table 6.1.3.A, followed by either a basic sand filter (Section 6.5.2) or basic sand filter vault (Section 6.5.3). For dispersed flows, a linear sand filter may be used as the second facility.

<b>First Basic WQ Facility</b>	<b>Second WQ Facility</b>
Bioswale (Sections 6.3.1, 6.3.2, and 6.3.3)	Basic sand filter or sand filter vault (Section 6.5.2 or 6.5.3)
Filter strip (Sections 6.3.4 and 6.3.5)	Linear sand filter (no presettling cell needed) (Section 6.5.4)
Linear sand filter (Section 6.5.4)	Filter strip (Sections 6.3.4 and 6.3.5)
Basic wetpond (Section 6.4.1)	Basic sand filter or sand filter vault (Section 6.5.2 or 6.5.3)
Wetvault (Section 6.4.2)	Basic sand filter or sand filter vault (Section 6.5.2 or 6.5.3)
Stormwater wetland (Section 6.4.3)	Basic sand filter or sand filter vault (Section 6.5.2 or 6.5.3)
Basic combined detention and wetpool facility (Section 6.4.4)	Basic sand filter or sand filter vault (Section 6.5.2 or 6.5.3)
Proprietary facility approved by the City for Basic WQ <sup>10</sup> (Section 6.7)	Basic sand filter or sand filter vault (Section 6.5.2 or 6.5.3)

### ☐ LAKE PROTECTION OPTION 4 — BASIC MENU PLUS PHOSPHORUS CREDIT

This option provides credit to developments that integrate land use and *site* design measures to prevent or reduce the levels of phosphorus leaving the *site*. Credit is also given for the voluntary use of extra levels of onsite detention, since less in-stream erosion is likely to take place with more highly controlled stormwater releases. This reduction in in-stream erosion and bank failure translates directly into control of the phosphorus load delivered to downstream lakes.

The measures for which credit is given are detailed below, along with the point values assigned to each of the actions. Providing any combination of these measures equaling 10 points or more earns this credit. The credit excuses the applicant from the requirement to provide a second water quality facility. *Thus, even though the development is located in the watershed of a sensitive lake, the water quality requirements can be fully met with the provision of a single water quality facility from the Basic Water Quality menu.*

#### **Credit-Earning Actions**

Several land use actions and source controls are particularly effective in reducing phosphorus. These actions are not required by this manual or other regulations; they are an alternative to end-of-the-pipe treatment of stormwater. Credit options for phosphorus-reducing actions are described below.

<sup>10</sup> See Reference Section 14-A for City-approved proprietary facilities.

1. **Leaving at least 65 percent of the *site* undisturbed, including undevelopable land.** Full credit, or **10 points**, is awarded for leaving 65 percent of a *site* in undisturbed native vegetation or allowing native vegetation to re-establish. Critical areas and their buffers may be counted. All areas for phosphorus credit must be in tracts dedicated to the City or protected by covenant (one example of covenant language to protect vegetated tracts from disturbance is shown in Reference Section 8-O). A descending scale of points applies where lower percentages of the *site* are left undisturbed. **Possible credit = 1 to 10 points.**
2. **Providing extra flow control.** Credit for providing extra flow control applies only in cases where *site* runoff travels via stream or open drainage system to the sensitive lake. Voluntary use of the **Flow Control Duration Standard** when the **Peak Rate Flow Control Standard** would be required = 5 points. Voluntary use of the **Flood Problem Flow Control Standard** when the **Peak Rate Flow Control Standard** would be required = 8 points. Voluntary use of the **Flood Problem Flow Control Standard** when the **Flow Control Duration Standard** would be required = 3 points. **Possible credit = 3 to 8 points.**
3. **Directing runoff from target pollution-generating surfaces to grassy areas with level spreading.** Directing runoff from target pollution-generating areas to grassy areas that are not routinely fertilized or to areas of native vegetation results in pollutant removals similar to those obtained in swales while also providing an increased opportunity for infiltration. To use this option, flows must remain unconcentrated and be spread uniformly over the intended area. (Flow spreader details are given in Section 6.2.6.)

In general, the vegetated area receiving dispersed flows should be at least 25 percent as large as the area contributing flow. The receiving area should be increased by one percent for each percent increase in slope over four percent. The area should be configured so that the length of the flow path is no longer than the width over which flows are dispersed.

**Example:**

---

Assume a parking lot is 100' × 600', or 60,000 sf. Flows will be dispersed through an adjacent area of native vegetation with a slope of 8 percent.

The area of vegetation must be at least 17,400 sf (i.e., 25% + 4% (for the 8% slope) × 60,000 sf). Assuming runoff is dispersed continuously along the wider edge of the parking lot, the flow path would need to be at least 29 feet (17,400' ÷ 600'). If the water were dispersed along the shorter edge, flow path would be 174 feet (17,400' ÷ 100'). However, this flow path would be longer than the width over which flows were dispersed (100'), and would not be a satisfactory option. The parking lot could be graded, however, so that flows would be dispersed at both of the 100 foot ends, making each flow path 87 feet, which would be acceptable.

---

Credit is proportional to the total volume of runoff diverted; one point is earned for every 25 percent of total volume so directed. **Possible credit = 1 to 4 points.**

4. **Providing covered vehicle washing areas connected to the sanitary sewer system.** This credit applies to commercial, industrial, and multifamily *sites* excluding commercial car washes or other operations where this action is already required by other regulations. Frequent car-washing can contribute significant amounts of phosphorus to stormwater. Note that sewer districts may have pretreatment requirements before allowing connection to the sanitary sewer. **Possible credit = 3 points.**

**Table 6.1.3.B** details the credit options and associated point totals.

Credit may be applied to the whole *site* or to a **natural discharge area** within the *site*. It may be advantageous for a developer to concentrate only on a **natural discharge area** if the point total for that particular area could equal 10. For example, assume a particular **natural discharge area** is one half the total *site* area. If 65 percent of the land area in the **natural discharge area** will remain undisturbed, that **natural discharge area** is eligible for 10 points (see Table 6.1.3.B). The stormwater from that **natural discharge area** could be treated with a single water quality facility from the Basic WQ menu; the second facility could be waived. The rest of the *site* would still have the two-facility requirement.

Alternatively, if the entire *site* were considered, the undisturbed area decreases to 35 percent, eligible for only 3 points. In this case, the developer would need to implement other controls worth 7 points in order to waive the second water quality facility for the entire *site*.

If the credit option is used, it shall be applied for during initial drainage review by CED. The application shall include a **written request for credit** based on either the *site* plan or the grading plan for the project, and the **threshold discharge areas** shall be delineated on the plans. The request shall outline where the credit would be applied and how the point totals are to be achieved. CED would then evaluate the request and may waive the second water quality treatment requirement for the *site* or **threshold discharge area** based on point totals outlined in Table 6.1.3.B (below). **Credit is not given unless requested.**

<b>TABLE 6.1.3.B WATER QUALITY CREDIT FOR PHOSPHORUS CONTROL</b>	
<b>Credit Option</b>	<b>Points</b>
Leaving site undisturbed, in native vegetation.	At least 65 % = 10 60% = 9 50% = 7 40% = 5 30% = 3 20% = 1
Directing road runoff to pervious, non-pollution-generating vegetated area.	100% of volume = 4 75% of volume = 3 50% of volume = 2 25% of volume = 1
Covered car wash area connected to sanitary sewer (multifamily, commercial, or industrial sites, except for commercial car-wash businesses).	3
Extra detention with next most restrictive release rate (if discharge to stream).	Peak Rate Flow Control → Flow Control Duration Standard = 5 Peak Rate Flow Control → Flood Problem Flow Control = 8 Flow Control Duration Standard → Flood Problem Flow Control = 3

#### **□ LAKE PROTECTION OPTION 5 — PROPRIETARY FACILITY**

Section 6.7, “Proprietary Facility Designs,” discusses general considerations for proprietary manufactured facilities. Current approvals for publicly and privately maintained systems are included in Table 6.1.3.C and Reference Section 14-A and 14-B.

<b>TABLE 6.1.3.C PROPRIETARY FACILITIES ON THE SENSITIVE LAKE PROTECTION MENU</b>		
<b>Proprietary Facility Name</b>	<b>Publicly Maintained</b>	<b>Privately Maintained</b>
MWS-Linear Modular Wetland		X
Filtterra System	X	X
Filtterra Bioscape		X
StormFilter using PhosphoSorb Media		X
FloGard Perk Filter		X
Other Facilities with a General Use Level Designation (GULD) for Phosphorus Treatment		X

## ☐ LAKE PROTECTION OPTION 6 — WSDOT WQ FACILITIES

WSDOT has developed the media filter drain that may be used to meet lake protection.

### 6.1.4 SPHAGNUM BOG PROTECTION MENU

This section is not currently applicable to the City of Renton.

**Where applied:** The Sphagnum Bog Protection menu<sup>11</sup> covers sphagnum bog wetlands<sup>12</sup> greater than 0.25 acres in size.<sup>13</sup> It applies to stormwater conveyed by surface flow to the sphagnum bog vegetation community. If stormwater is infiltrated by the project per Section 5.2, then the Basic WQ menu is applied unless the project is exempt from Core Requirement #8, “Water Quality.” For precise details on the application of this and other area-specific water quality menus, refer to Section 1.2.8.

*Note: The Sphagnum Bog Protection menu is a stand-alone menu. It integrates the Basic WQ menu level of protection and the additional measures needed to achieve bog protection goals in the options described below. When this menu is required as specified in Core Requirement #8 (see Section 1.2.8), it is intended to replace the Basic WQ menu in areas draining to sphagnum bogs.*

**Treatment goal:** If surface water must be discharged to a bog, the treatment goal is to reduce total phosphorus by 50 percent, reduce nitrate + nitrite by 40 percent, maintain alkalinity below 10 mg/L, calcium concentrations should be less than 2 mg/L, and maintain pH below 6.0.<sup>14</sup>

**Basis:** In their undeveloped condition, bogs are isolated from surface water, being supplied almost solely by rainwater. The best strategy for protection of bog water quality is to infiltrate the water quality design volume while routing high flows around the bog. Although it is not known whether alkalinity or nitrogen can be reduced sufficiently by the options outlined below, there are no other technologically-feasible alternatives at this time. An adjustment (see Section 1.4) could be pursued as additional technologies become available.

## ☐ SPHAGNUM BOG PROTECTION OPTION 1 — LARGE WETPOND FOLLOWED BY LARGE SAND FILTER

This option uses a **large wetpond** (see Section 6.4.1) or a **large combined detention and wetpond** (see Section 6.4.2), sized so that wetpond volume is 1.5 times the Basic water quality volume as determined either by the approved continuous runoff model or as calculated using the manual method described in Section 6.4.1. A large sand filtration facility (see Section 6.5.2 or 6.5.3) must follow the pond. In order to ensure that algae and sources of alkalinity from the pond are not washed from the pond into the bog, the **sand filter must be the last facility. The sand used for filtration must be silica-based sand rather than an aragonite<sup>15</sup> sand.**

## ☐ SPHAGNUM BOG PROTECTION OPTION 2 — STORMWATER WETLAND IN SERIES WITH A LARGE SAND FILTER

This option uses a **stormwater wetland** (see Section 6.4.3) or **combined detention and stormwater wetland** (see Section 6.4.4) to remove solids and enhance the concentration of organic acids, and a **large**

<sup>11</sup> The Bog Protection menu targets a different set of pollutants than the Sensitive Lake or Enhanced Basic menus. Since the targeted pollutants are more difficult to remove, use of larger and/or additional water quality facilities is required.

<sup>12</sup> A *sphagnum bog wetland* is defined as a wetland having a predominance of sphagnum moss creating a substrate upon which a distinctive community of acid-loving plants is established (see Section 1.2.8.C and “Definitions” for more detail).

<sup>13</sup> The *size* of a sphagnum bog wetland is defined by the boundaries of the sphagnum bog plant community.

<sup>14</sup> Calcium, alkalinity, and pH values are from : Kulzer, L., S. Luchessa, S. Cooke, R. Errington, F. Weinmann, and D. Vitt. 2001. *Characteristics of the low-elevation sphagnum-dominated peatlands of western Washington: A community profile*. King County, WA: King County Water and Land Resources Division.

<sup>15</sup> Aragonite is the second most common type of sand, and is composed of calcium carbonate from biota including but not limited to coral and shellfish. (Sand. (2014, April 12). In Wikipedia, The Free Encyclopedia. Retrieved 20:38, April 15, 2014, from <<http://en.wikipedia.org/w/index.php?title=Sand&oldid=603938376>>)

**sand filter** (see Section 6.5.2) to remove the finer sediment for alkalinity and nutrient reduction. **The sand used for filtration must be silica-based sand rather than an aragonite sand.** The order of facilities is interchangeable since there are both advantages and disadvantages to having the sand filter last in the train. *Note: Presettling is required prior to sand filtration as described in Section 6.5.1.*

#### ❑ SPHAGNUM BOG PROTECTION OPTION 3 — LARGE SAND FILTER IN SERIES WITH A PROPRIETARY FACILITY

This option uses a **large sand filter** or **large sand filter vault** followed by a proprietary facility. Sizing specifications for the large sand filters can be found in Sections 6.5.2 and 6.5.3. Proprietary facilities are detailed in Reference Section 14-A and 14-B. **The sand used for filtration must be silica-based sand rather than an aragonite sand.**

*Note: Presettling is required prior to sand filtration as described in Section 6.5.1.*

#### ❑ SPHAGNUM BOG PROTECTION OPTION 4 — THREE-FACILITY TREATMENT TRAIN

This option uses one of the basic water quality treatment options followed by two other facilities.

Table 6.1.4.A lists the possible choices of facilities for this option.

TABLE 6.1.4.A FACILITY COMBINATIONS FOR BOG PROTECTION TREATMENT TRAIN, OPTION 4		
First Facility	Second Facility	Third Facility
Bioswale (Sections 6.3.1, 6.3.2, and 6.3.3)	Basic sand filter (Sections 6.5.2, 6.5.3, or 6.5.4)	Proprietary facility <sup>16</sup>
Filter strip (Sections 6.3.4 and 6.3.5)		
Basic wetpond (Section 6.4.1)		
Basic combined detention and wetpool facility (Section 6.4.4)		
Wetvault (Section 6.4.2)		
Stormwater wetland (Section 6.4.3)		
Proprietary facility <sup>17</sup> (Section 6.7)		
* Other treatment options may be pursued through an adjustment per Section 1.4.		

## 6.1.5 HIGH-USE MENU

**Where applied:** The High-Use menu is applied to all new development and *redevelopment projects* that have *high-use site* characteristics, as defined in Chapter 1 (see “Special Requirement # 5, Oil Control”). Oil control devices are to be placed upstream of other facilities, as close to the source of oil generation as practical. Gasoline service stations will likely exceed the high-use site threshold.

*Note: Where this menu is applicable, it is in addition to the area-specific WQ menus.*

**Treatment goal:** Oil control options given in the High-Use menu are designed to meet the goals of no visible sheen or less than 10 mg/L total petroleum hydrocarbons (TPH) leaving the *site*.

#### ❑ OIL CONTROL OPTION 1 — CATCH BASIN INSERT

This oil control option is not allowed in the City of Renton.

<sup>16</sup> See Reference Section 14-A for City-approved proprietary facilities.

<sup>17</sup> See Reference Section 14-A for approved proprietary facilities.

**❑ OIL CONTROL OPTION 2 — BAFFLE OIL/WATER SEPARATOR**

Baffle oil/water separators (see Section 6.6.2) may be used to treat stormwater runoff from high-use developments and facilities that produce relatively high concentrations of oil and grease. Baffle separators historically have been effective in removing oil having droplet sizes of 150 microns or larger. If sized properly, they can achieve effluent concentrations as low as 10 to 15 mg/L.

**❑ OIL CONTROL OPTION 3 — COALESCING PLATE OIL/WATER SEPARATOR**

Coalescing plate separators (see Section 6.6.2) may be used to treat stormwater runoff from high-use developments and facilities that can produce relatively high concentrations of oil and grease. Current technology and design of coalescing plate separators achieve effluent concentrations as low as 10 mg/L with removal of oil droplet sizes as small as 20 to 60 microns.

**❑ OIL CONTROL OPTION 4 — LINEAR SAND FILTER**

The linear sand filter (see Section 6.5.4) is used in the Core Requirement #8 water quality menus (i.e., the Basic, Enhanced Basic, Sensitive Lake, and Sphagnum Bog menus), as well as for oil control in the High-Use menu (Special Requirement #5). However, if used to satisfy Core Requirement #8, the same facility shall not also be used to satisfy the oil control requirement (Special Requirement #5) unless enhanced maintenance is ensured. This is to prevent clogging of the filter by oil so that it will function for suspended solids, metals, and phosphorus removal as well. Quarterly cleaning is required at a minimum unless more frequent cleaning is specified otherwise by the designer.

**❑ OIL CONTROL OPTION 5 — WETVAULT WITH BAFFLE**

A wetvault may be modified to fulfill requirements for oil control provided the following are true:

1. The criteria given at the end of Section 6.4.2.2 for modification of wetvaults for use as a baffle oil/water separators shall be met, and
2. Assurance is provided that the maintenance frequency and oil removal frequency for baffle oil/water separators will be followed (see Section 6.6.2).

**❑ OIL CONTROL OPTION 6 — PROPRIETARY FACILITIES**

Section 6.7, “Proprietary Facility Designs,” discusses general considerations for proprietary manufactured facilities. Current approvals for publicly and privately maintained systems are included in Table 6.1.5.A and Reference Section 14-A and 14-B.

TABLE 6.1.5.A PROPRIETARY FACILITIES ON THE HIGH-USE MENU		
Proprietary Facility Name	Publicly Maintained	Privately Maintained
Filtterra System	X	X
Filtterra Bioscape		X
Other Facilities with a General Use Level Designation (GULD) for Oil Treatment		X

**❑ OIL CONTROL OPTION 7 — COMPLIANCE WITH OTHER AGENCY REQUIREMENTS**

If the *site* has a National Pollutant Discharge Elimination System (NPDES) industrial stormwater permit that specifically addresses oil control for the target *pollution-generating impervious surface* of the *site*, compliance with NPDES permit conditions may be adequate to comply with the oil control requirements of Special Requirement #5. Copies of the *site*'s NPDES permit requirement and the best management practices specifically addressing oil control shall be submitted to determine adequacy.



If the area under the covered fueling island drains to the sanitary sewer, then only the remaining high-use area actually draining to the storm drainage system (normally ingress and egress routes) need comply with the High-Use menu.

*Note: Ecology requires that fueling islands be paved with Portland cement concrete (or equivalent, not including asphaltic concrete) and must drain to a dead-end sump or spill control separator in compliance with the UFC or IFC, and recommends draining from the sump to a sanitary sewer. An alternative to discharge to a sanitary sewer is to collect stormwater from the fuel island containment pad and hold for proper off-site disposal.*

Drains to treatment facilities must have a normally closed shutoff valve. The spill control sump must be sized in compliance with Section 7901.8 of the Uniform Fire Code (UFC). Alternatively the fueling island must be designed as a spill containment pad with a sill or berm raised to a minimum of four inches (Section 7901.8 of the UFC) to prevent the runoff of spilled liquids and to prevent run-on of stormwater from the surrounding area. (See Ecology's Stormwater Management Manual for Western Washington, Volume IV, Section 2.2, S409 BMPs for Fueling At Dedicated Stations. These BMPs are also required by the City of Renton for new construction.

## 6.1.6 PRETREATMENT FACILITIES

### □ PRETREATMENT FACILITIES OPTION 1 — PROPRIETARY FACILITY DESIGN

Current approvals for publicly and privately maintained systems are included in Table 6.1.6.A and Reference Section 14-A and 14-B.

<b>TABLE 6.1.5A PROPRIETARY FACILITIES ON THE PRETREATMENT FACILITIES MENU</b>		
<b>Proprietary Facility Name</b>	<b>Publicly Maintained</b>	<b>Privately Maintained</b>
Aqua-Swirl System		X
CDS Stormwater Treatment System		X
Vortechs System		X
Downstream Defender		X
Stormceptor		X
Other Facilities with a General Use Level Designation (GULD) for Pretreatment		X

*(This page intentionally left blank.)*

## 6.2 GENERAL REQUIREMENTS FOR WQ FACILITIES

This section presents general requirements and other information applicable to the design of water quality (WQ) facilities. Topics covered include the following:

- “Water Quality Design Flows,” Section 6.2.1
- “Sequence of Facilities,” Section 6.2.2
- “Setbacks, Slopes, and Embankments,” Section 6.2.3
- “Facility Liners,” Section 6.2.4
- “Flow Splitter Designs,” Section 6.2.5
- “Flow Spreading Options,” Section 6.2.6

When detail in the WQ designs is lacking, refer to Chapter 5 for guidance. In cases where requirements are extremely costly, a less expensive alternative that is functionally equivalent in terms of performance, environmental effects, health and safety, and maintenance may be sought through the adjustment process (see Section 1.4).

### Proprietary Facility Designs

Current proprietary facility approvals for publicly and privately maintained systems are included in Reference Section 14-A and 14-B. Other proprietary facilities that have received a general use level designation (GULD) through the state Department of Ecology’s *Technology Assessment Protocol – Ecology (TAPE) program* will be considered for approval by the City through an adjustment process for water quality treatment. A list of Ecology GULD approved proprietary facilities can be found on the Department of Ecology website at

<http://www.ecy.wa.gov/programs/wq/stormwater/newtech/index.html>.<sup>18</sup>

### Use of Materials

Galvanized metals leach zinc into the environment, especially in standing water situations. High zinc concentrations, sometimes in the range that can be toxic to aquatic life, have been observed in the region.<sup>19</sup> Therefore, use of galvanized materials in stormwater facilities and conveyance systems is discouraged. Where other metals, such as aluminum or stainless steel, or plastics are available, they shall be used.

### Groundwater Protection

Open water quality facilities including wetponds, biofiltration swales, bioretention facilities, infiltration facilities and stormwater wetlands are prohibited in *Zone 1 of the Aquifer Protection Area*.

## 6.2.1 WATER QUALITY DESIGN FLOWS AND TREATMENT VOLUMES

### Water Quality Design Flow

The water quality design flow is defined as follows:

- *Downstream of detention:* The full **2-year release rate from the detention facility**, determined using the approved continuous runoff model.
- *Preceding detention, or when detention facilities are not required:* The **flow rate from the drainage basin at or below which 91% of the total runoff volume will be treated**. Design criteria for treatment facilities are assigned to achieve the applicable performance goal at the water quality design flow rate (e.g., 80 percent TSS removal). At a minimum, 91% of the total runoff volume, as estimated by an approved continuous runoff model with 15-minute time steps calibrated to *site* conditions, must

<sup>18</sup> Footnote 18 is not used.

<sup>19</sup> Finlayson, 1990. Unpublished data from reconnaissance of Metro Park and Ride lot stormwater characteristics.

pass through the treatment facility(ies) at or below the approved hydraulic loading rate for the facility(ies).

Design flow rates for water quality facilities designed using this manual are calculated using a continuous simulation model. Most of the performance research on biofiltration BMPs has been conducted on facilities that used event-based designs. The volume of treatment runoff can be predicted from a 24-hour storm with a 6-month return frequency (a.k.a., 6-month, 24-hour storm). However, the 91st percentile flow event (as calculated by the continuous model) tends to be less than the estimated 6-month, 24-hour event flow rate in most cases. To maintain sizing comparable to the performance research, Ecology has developed a correlation between the 91st percentile flow event calculated using the approved models and the single-event predicted flow event. This correlation is used in sizing water quality flow-based facilities in Section 6.3 and is presented in Table 6.2.1.A below. Intermediate values of the ratio  $k$  for WWHM are calculated by linear interpolation.

(Note: This table does not apply to flow-based non-water quality BMPs; see relevant flow rate requirements for flow-based non-water quality BMPs in Appendix C.)

<b>TABLE 6.2.1.A ADJUSTMENT FACTOR <math>k</math> FOR CALCULATING MODIFIED WATER QUALITY FLOW RATE FROM MODELED ON-LINE/OFF-LINE RATES</b>			
<b>SBUH Peak/WWHM On-Line 15-Min WQ Flow Ratio vs 6-Month Precipitation for 0% to 100% Impervious Areas</b>		<b>SBUH Peak/WWHM Off-Line 15-Min WQ Flow Ratio vs 6-Month Precipitation for 0% to 100% Impervious Areas</b>	
6-Month, 24-Hr Precipitation (72% of the 2-yr), Inches	Ratio, $k$	6-Month, 24-Hr Precipitation (72% of the 2-yr), Inches	Ratio, $k$
0.80	1.01	0.80	1.95
1.00	1.30	1.00	2.44
1.50	2.02	1.50	3.68
2.00	2.74	2.00	4.92
2.50	3.45	2.50	6.16
2.90	4.03	2.90	7.15
<i>Intermediate values of <math>k</math> for WWHM are calculated by linear interpolation.</i>			
<b>SBUH Peak/MGSFlood On-Line and Off-Line 15-Min WQ Flow Ratio vs 6-month Precipitation for 0% to 100% Impervious Areas</b>			
For <b>on-line</b> facilities: $k = 1.4366 (P72\%, 2\text{-yr.}) - 0.1369$ (Eq. 6-1)			
For <b>off-line</b> facilities: $k = 2.4777 (P72\%, 2\text{-yr.}) - 0.0352$ (Eq. 6-2)			
<i>where: <math>P72\%, 2\text{-yr} = 72\%</math> of the 2-year, 24-hour precipitation depth (in.)</i>			
<b>Note:</b> If the 6-month, 24-hour precipitation depth (in.) is known for the project site, that value may be used instead of $P72\%, 2\text{-yr}$ .			

The ratio between the 91st percentile flow event and the estimated 6-month, 24-hour flow rate varies with location and percent of impervious area in the modeled drainage basin. The correlations in the table account for these variations. When designing bioswales and other flow rate based facilities, multiply the on-line or off-line water quality design flow rate determined with the approved model by the coefficient  $k$  (off-line or on-line) determined from the associated table (see Methods of Analysis for guidance on selection of on-line or off-line flow rate and application of the associated correlation). Unless amended to reflect local precipitation statistics, the 6-month, 24-hour precipitation amount may be assumed to be 72 percent of the 2-year, 24-hour amount determined either with the approved

model or by interpolating between isopluvials for the 2-year, 24-hour precipitation. Isopluvials for 2-year, 24-hour amounts for Western Washington are reprinted in Section 3.2.1, Figure 3.2.1.A.

### Flow Volume to be Treated

When water quality treatment is required pursuant to the core and special requirements of this manual, the water quality design storm volume, when using an approved continuous runoff model, shall be equal to the simulated daily volume that represents the upper limit of the range of daily volumes that accounts for 91% of the entire runoff volume over a multi-decade period of record.

Alternatively, the water quality design volume of runoff can be predicted from a 24-hour storm with a 6-month return frequency (a.k.a., 6-month, 24-hour storm). Wetpool facilities are sized based upon use of the NRCS (formerly known as SCS) curve number equations for the 6-month, 24-hour storm.<sup>20</sup> Treatment facilities sized by this simple runoff volume-based approach are the same size whether they precede detention, follow detention, or are integral with the detention facility (i.e., a combined detention and wetpool facility).

The approved model calculates the water quality design volume directly. Alternatively, the NRCS method described in Section 6.4.1.1 may be used. Unless amended to reflect local precipitation statistics, the 6-month, 24-hour precipitation amount may be assumed to be 72 percent of the 2-year, 24-hour amount. Interpolating between isopluvials for the 2-year, 24-hour precipitation and multiplying by 72% yields the appropriate storm size. Isopluvials detailed for 2-year, 24-hour amounts for western King County (including the City of Renton) are reprinted in Section 3.2.1, Figure 3.2.1.A. For locations east of the figure limits, precipitation amounts are more variable; use the 2-year, 24-hour isopluvial map located on the National Oceanic and Atmospheric Administration (NOAA) website at [http://www.nws.noaa.gov/oh/hdsc/PF\\_documents/Atlas2\\_Volume9.pdf](http://www.nws.noaa.gov/oh/hdsc/PF_documents/Atlas2_Volume9.pdf).

Note that facilities which are sized based on volume and which include routing of flows through a detention facility, such as the detailed sand filter method, are significantly smaller when located downstream of detention, even though the same volume of water is treated in either situation. This is because the detention facility routing sequence stores peaks within the pond and releases them at a slow rate, reducing the size of the sand filter pond subsequently needed (the volume needed to store the peaks need not be provided again in the sand filter pond).

### Treatable Flows

As stated in Chapter 1, only runoff from target pollution-generating surfaces must be treated using the water quality facility options indicated in the applicable water quality menu. These surfaces include both ***pollution-generating impervious surface*** and ***pollution-generating pervious surface***. “Target” means that portion from which runoff must be treated using a water quality facility as specified in Chapter 1.

***Pollution-generating impervious surfaces*** are those impervious surfaces which are subject to vehicular use, industrial activities, or storage of erodible or leachable materials, wastes, or chemicals; and which receive direct rainfall or the run-on or blow-in of rainfall. Target ***pollution-generating impervious surfaces*** typically include right-of-way improvements (roads), parking areas and driveways that are not ***fully dispersed*** as specified in Section 1.2.3.2. Metal roofs are also considered to be ***pollution-generating impervious surface*** unless they are coated with an inert, non-leachable material (see Reference Section 11-E); or roofs that are subject to venting significant amounts of dusts, mists, or fumes from manufacturing, commercial, or other indoor activities. ***Pollution-generating pervious surfaces*** are those non-impervious surfaces subject to use of pesticides and fertilizers, loss of soil, or the use or storage of erodible or leachable materials, wastes, or chemicals. Target ***pollution-generating pervious surfaces*** typically include lawns and landscaped areas that are not ***fully dispersed*** and from which there will be some concentrated surface discharge in a natural channel or man-made conveyance system from the *site*.

<sup>20</sup> For more information, see *Urban Hydrology for Small Watersheds*, Technical Release 55 (TR-55), June 1986, published by the NRCS. See Table 6.4.1.1.xx for CN values to be used with this manual.

The following points summarize which *site* flows must be treated and under what circumstances:

- All runoff from target ***pollution-generating impervious surfaces*** is to be treated through the water quality facility or facilities required in Chapter 1 and specified in the Chapter 6 menus.
- Runoff from ***lawns and landscaped areas*** often overflows toward street drainage systems where it is conveyed to treatment facilities along with the road runoff. However, sometimes runoff from commercial areas and residential backyards drains into open space or vegetated buffer areas. In these cases, buffers may be used to provide the requisite water quality treatment provided:
  1. Runoff sheet flows into the buffer or a dispersal trench is provided to disperse flows broadly into the buffer, and
  2. The flow path through the pollution-generating area is limited to 200 feet, and
  3. The buffer contains only native vegetation and is not itself subject to application of any fertilizers or pesticides.
- Drainage from impervious surfaces that are **not pollution-generating** (such as patios, walkways, and some roofs) or are **not target pollution-generating surfaces** may bypass the water quality facility. However, this allowance to bypass does not excuse target impervious surfaces from, meeting the flow control requirements per Core Requirement #3. Note that **metal roofs** are considered pollution-generating unless they are treated to prevent leaching (see Reference Section 11-E), as are roofs that are subject to venting significant amounts of dusts, mists, or fumes from manufacturing, commercial, or other indoor activities.
- Drainage from areas in native vegetation should not be mixed with untreated runoff from streets and driveways, if possible. It is best to infiltrate or disperse this relatively clean runoff to maximize recharge to shallow groundwater, wetlands, and streams.
- Where runoff from non-pollution-generating impervious areas (non-PGIS), areas in native vegetation, or any other area not targeted for water quality treatment reaches a water quality facility, flows from those areas must be included in the sizing calculations for the facility. Once runoff from non-pollution-generating areas and non-target pollution-generating areas is combined with runoff from target pollution-generating areas, it cannot be separated before treatment.

## 6.2.2 SEQUENCE OF FACILITIES

As specified in the water quality menus, where more than one water quality facility is used, the order is often prescribed. This is because the specific pollutant removal role of the second or third facility in a treatment train often assumes that significant solids settling has already occurred. For example, phosphorus removal using a two-facility treatment train relies on the second facility (sand filter) to remove a finer fraction of solids than those removed by the first facility.

There is a larger question, however, of whether water quality facilities should be placed upstream or downstream of detention facilities. In general, all water quality facilities may be installed upstream of detention facilities, although presettling basins are needed for sand filters and infiltration basins. Not all water quality facilities, however, can be located downstream of detention facilities. Those facilities that treat sheet flows, such as filter strips and narrow-area filter strips, will seldom be practical downstream of detention facilities. Other facilities present special problems that must be considered before placement downstream is advisable.

Two facilities that fall into this latter category are the basic bioswale (see Section 6.3.1) and the sand filter or sand filter vault (see Sections 6.5.2 or 6.5.3). For these facilities, the prolonged low flows resulting from ***Flow Control Duration Standard*** or ***Flood Problem Flow Control Standard*** may interfere with facility operation. In the case of basic bioswales, prolonged flows, generally in excess of about two weeks, will cause the grass to die. This can be dealt with by using the wet bioswale design.

In the case of sand filters, prolonged flows may result in the sand being saturated for long periods. Saturated sand can become hypoxic or anoxic (lose most or all oxygen) when dissolved oxygen in the pore water becomes depleted. Under these conditions, some previously trapped phosphorus can become soluble

and be released,<sup>21</sup> resulting in phosphorus releases in excess of influent concentrations. To prevent long periods of sand saturation, adjustments may be necessary after the sand filter is in operation to bypass some areas of the filter, allowing them to drain completely. If saturated conditions are present after facility operation, adjustments to the design shall be required. It may also be possible to employ a different alternative that uses facilities less sensitive to prolonged flows. Table 6.2.2.A summarizes placement considerations of water quality facilities in relation to detention.

Oil control facilities must be located upstream of water quality facilities and as close to the source of oil-generating activity as possible. They should also be located upstream of detention facilities, if possible.

<b>TABLE 6.2.2.A WATER QUALITY FACILITY PLACEMENT IN RELATION TO DETENTION</b>		
<b>Water Quality Facility</b>	<b>Preceding Detention</b>	<b>Following Detention</b>
Basic bioswale (Section 6.3.1)	OK	OK if downstream of detention sized to meet Peak Rate Flow Control Standard. However, prolonged flows may cause soil saturation and injure grass. If downstream of a pond sized to meet Flow Control Duration Standard or Flood Problem Flow Control Standard, the wet bioswale may be needed (see Section 6.3.2)
Wet bioswale (Section 6.3.2)	OK	OK
Lateral inflow bioswale (Section 6.3.3)	OK	No—must be installed before flows concentrate.
Filter strip or roadway filter strip (Sections 6.3.4 and 6.3.5)	OK	No—must be installed before flows concentrate.
Basic or large wetpond (Section 6.4.1)	OK	OK—less water level fluctuation in ponds downstream of detention may improve aesthetic qualities.
Basic or large combined detention and wetpond (Section 6.4.4)	Not applicable	Not applicable
Wetvault (Section 6.4.2)	OK	OK
Basic or large sand filter or sand filter vault (Section 6.5.2 or 6.5.3)	OK, but presettling and control of floatables needed	OK—sand filters downstream of a pond sized to meet Flow Control Duration Standard or Flood Problem Flow Control Standard may require field adjustments if prolonged flows cause sand saturation and resultant hypoxic, anoxic or anaerobic conditions, interfering with the phosphorus removal mechanism and likely resulting in episodic phosphorus releases in excess of influent concentrations.

<sup>21</sup> Bicudo, D. D. C., et al. (2007). "Undesirable side-effects of water hyacinth control in a shallow tropical reservoir." *Freshwater Biology* 52(6): 1120-1133.

<b>TABLE 6.2.2.A WATER QUALITY FACILITY PLACEMENT IN RELATION TO DETENTION</b>		
<b>Water Quality Facility</b>	<b>Preceding Detention</b>	<b>Following Detention</b>
Stormwater wetland/pond (Section 6.4.3)	OK	OK—less water level fluctuation and better plant diversity are possible if the stormwater wetland is located downstream of the detention facility.
Proprietary facility (Section 6.7)	OK	OK
Bioretention (Section 6.8)	OK	No

### 6.2.3 SETBACKS, SLOPES, AND EMBANKMENTS

This section presents the general requirements for water quality facility setbacks, side slopes, fencing, and embankments.

When locating water quality facilities near wetlands and streams, there is a potential that the wetland or stream water level may be lowered by draining to the facility. Care in the design and siting of the facility or conveyance elements associated with the facility is needed to ensure this impact is avoided. Sufficient setback of the facility from the water body is one method to prevent impact.

When locating water quality facilities near steep slopes, there is a potential for slope erosion or destabilization as a result of seepage, infiltration or overflow.

#### SETBACKS FROM TRACT LINE

Water quality facilities that are maintained by the City must be in tracts dedicated to the City. Different water quality facilities and different types of side slopes (bermed vs. cut) have somewhat different requirements for setback from the tract line or setbacks for structures on adjacent tracts; these various requirements are given in Table 6.2.3.A.

Most setbacks from tract lines are for maintenance equipment maneuverability. Setback requirements do not apply to water quality facilities that are privately maintained, but adequate room for maintenance equipment shall be considered during *site* design. Restrictions on the placement of structures on adjacent internal lots, as specified for infiltration facilities in Sections 5.2.2, 5.2.3, and 5.2.4, do however apply to privately maintained facilities.

#### FACILITY SITING

New residential subdivisions with drainage facilities that collect public runoff must place water quality treatment ponds, vaults, and other similar drainage facilities, along with the required perimeter landscaping in a separate stormwater tract per RMC 4-6-030. The stormwater tract, including the landscaped area, must be owned by the homeowners association.

Other types of new development shall create stormwater facilities either within an easement or within a tract not dedicated to the City per RMC 4-6-030.

#### SIDE SLOPES, FENCING, AND EMBANKMENTS

Side slopes for water quality facilities should not exceed a slope of 3H:1V. Moderately undulating slopes are acceptable and can provide a more natural setting for the facility. In general, gentle side slopes improve the aesthetic attributes of the facility and enhance safety. Fencing may be required for public safety and/or protecting the integrity and function of the facility.



**Intent:**

The requirements for slopes, fencing, and embankments are intended to accomplish the following objectives:

- To prevent persons from inadvertently slipping into the pond, either by providing gentle interior side slopes (3H:1V or gentler) or by fencing or other barrier
- To allow easy egress from the pond (gentle side slopes, safety benches, etc.) when access is not restricted by a fence or other barrier
- To ensure interior and exterior slopes or embankments are stable and will not create a hazardous or damaging situation.

Water quality facilities must meet the following requirements for side slopes, fencing, and embankments:

1. All wetponds, stormwater wetlands, and similar facilities shall be fenced per Section 5.1.1. A 6-foot tall chain link fence shall be provided around the facility with access gate(s) to allow maintenance per *City of Renton Standard Details*.
2. All open (uncovered) sand filters require fencing. The intent is to prevent sand filters from being used recreationally and to exclude domestic animals.
3. Where required, fencing shall be placed **at the top of the berm** with the maintenance access road on the inside of the fence or **5 feet minimum from top of berm** if there is no maintenance access road allowing proper maintenance access of the facility. The specific fencing requirements in Chapter 5 (see Section 5.1.1) also apply to WQ facilities. Non-residential commercial or industrial facilities that are **privately owned and maintained** must still comply with the fencing requirements in RMC 4-6-030.
4. Side slopes (interior and exterior) shall be no steeper than 3H:1V.
5. Pond walls may be **vertical retaining walls**, provided: (a) they are constructed of reinforced concrete per Section 5.3.3; (b) a fence is provided along the top of the wall; (c) at least 25% of the pond perimeter will be a vegetated soil slope not steeper than 3H:1V; and (d) the design is prepared and stamped by a licensed structural *civil engineer*.
6. Water quality facilities with embankments that impound water must comply with Washington State **dam safety regulations** (WAC 173-175). The cited language below is as of February 2012 and is excerpted verbatim from the Washington Administrative Code except for substitution of *Department of Ecology* for *department*. When reading, substitute *facility* for *dam*, and *overflow water surface* for *crest*:

(1) These regulations are applicable to dams which can impound a volume of ten acre-feet or more of water as measured at the dam crest elevation. The ten acre-feet threshold applies to dams which can impound water on either an intermittent or permanent basis. Only water that can be stored above natural ground level or which could be released by a failure of the dam is considered in assessing the storage volume.

The ten acre-feet threshold applies to any dam which can impound water of any quality, or which contains any substance in combination with sufficient water to exist in a liquid or slurry state at the time of initial containment.

(2) For a dam whose dam height is six feet or less and which meets the conditions of subsection (1) of this section, the Washington Department of Ecology (Ecology) may elect to exempt the dam from these regulations.

The decision by Ecology to exempt a dam will be made on a case-by-case basis for those dams whose failure is not judged to pose a risk to life and minimal property damage would be expected.

If the storage capacity is less than 10 acre-feet above natural ground level, then the facility is exempt from Ecology review.

<b>TABLE 6.2.3.A SETBACK REQUIREMENTS *</b>			
<b>WATER QUALITY FACILITY</b>	<b>SETBACK FROM TRACT LINE</b>		
	<b>At Grade or Underground</b>	<b>If Facility Slope is Cut into Grade</b>	<b>If Slope is an Embankment</b>
Bioswale	N/A	See conveyance system requirements (Section 4.1)	5 feet from toe of exterior slope
Filter strip	5 feet from toe	5 feet from toe	N/A
Wetpond	N/A	5 feet from emergency overflow water surface (WS)	5 feet from toe of exterior slope
Combined detention and wetpond	N/A	5 feet from emergency overflow WS	5 feet from toe of exterior slope
Stormwater wetland	N/A	5 feet from emergency overflow WS	5 feet from toe of exterior slope
Wetvault or sand filter vault	5 feet from property line	N/A	N/A
Sand filter ponding area	N/A	5 feet from emergency overflow WS	5 feet from toe of exterior slope
Linear sand filter	5 feet from property line	N/A	N/A
Proprietary facility <sup>22</sup>	5 feet from property line	N/A	N/A
Bioretention	N/A	5 feet from emergency overflow WS	5 feet from toe of exterior slope
<p><b>* Greater setback distances are required whenever expressly stated or referenced in this manual or when required by other City codes or other agencies.</b> Steep slopes, land slide areas, open water features, springs, wells, and septic tank drainfields are features that often have additional setback requirements.</p> <p><b>Geotechnical Setbacks:</b> Except for tanks, vaults, and pipes:</p> <ol style="list-style-type: none"> <li>1. Facilities are not allowed on slopes greater than 25% (4:1). A geotechnical analysis and report is required if located within 200 feet of a steep slope hazard area or landslide hazard OR if the facility is located within a setback distance from top of slope equal to the total vertical height of a slope area that is steeper than 15%. The geotechnical analysis must consider cumulative impacts from the project and surrounding areas under full built-out conditions.</li> <li>2. The facility design water surface shall be a minimum of 200 feet from any steep slope hazard area or landslide hazard. Upon analysis and approval of a licensed geotechnical engineer or engineering geologist, this setback may be reduced to 50 feet. The geotechnical analysis must consider cumulative impacts from the project and surrounding areas under full built-out conditions.</li> <li>3. The facility design water surface shall be set back a minimum distance from top of slope equal to the total vertical height of a slope area that is steeper than 15%. Upon analysis and approval of a licensed geotechnical engineer or engineering geologist, this setback may be reduced to 50 feet. The geotechnical analysis must consider cumulative impacts from the project and surrounding areas under full built-out conditions.</li> </ol> <p><b>Public Health Minimum Setbacks for All Facilities:</b></p> <p>Some typical setback distances imposed by the Public Health – Seattle &amp; King County include the following:</p> <ul style="list-style-type: none"> <li>• Open water features: 100 feet.</li> <li>• Wells: 100 feet.</li> <li>• Springs used for potable water: 200 feet.</li> <li>• Septic tanks: 50 feet, and drainfields: 100 feet; tanks or vaults must not be located so that they could impede septic drainfield flows.</li> </ul> <p><b>WA Ecology Stormwater Facility Setback Requirements for Public Health:</b></p>			

<sup>22</sup> See Reference Section 14-A for approved proprietary facilities.

**TABLE 6.2.3.A SETBACK REQUIREMENTS \***

- Stormwater infiltration systems shall be set back at least 100 feet from open water features and 200 feet from springs used for drinking water supply. Infiltration facilities up-gradient of drinking water supplies must comply with State Health Department requirements (Washington Wellhead Protection Program, Department of Health, 12/93).
- Stormwater infiltration systems, and unlined wetponds and detention ponds shall be located at least 100 feet from drinking water wells and septic tanks and drainfields.

Where one agency's setback requirements are more or less restrictive than another's, the more restrictive setback is required.

## 6.2.4 FACILITY LINERS

Water quality facilities, detention facilities, and open conveyance systems in which untreated water is in direct contact with the soil may require liners for any of three reasons: groundwater quality protection, steep slope or building protection, and/or stormwater treatment facility performance.

Liners are intended to:

1. Reduce the likelihood that pollutants in stormwater will reach ground water by transmission through soil from earthen facilities and conveyances.
2. Prevent infiltration where underflow could cause problems with steep slopes or nearby structures.
3. Ensure permanent wet pools for proper functioning of wetponds, treatment wetlands, and pre-settling ponds.
4. Ensure wet conditions in the second cell of stormwater treatment wetland sufficient to maintain wetland plant vegetation.

### Types of Liners

#### Low Permeability Liners

Low permeability liners reduce infiltration to a very slow rate, generally less than 0.02 inches per hour (1.22 cm/day). Low permeability liners may be fashioned from compacted till, clay, geomembrane, or concrete as detailed in Section 6.2.4.1.

#### Treatment Liners

Treatment liners are soil layers meeting specific quality criteria. Depending on design requirements, treatment liners may include in-place native soils, amended soils, or imported soils. Treatment liners are assumed to treat infiltrating stormwater before it reaches more freely draining soils. Treatment liners have slow rates of infiltration; the initial measured rate should be less than 2.4 inches per hour ( $1.7 \times 10^{-3}$  cm/s), but rates are not as slow as with low permeability liners. See Section 6.2.4.2 for details.

### Where Liners Are Required for Groundwater Protection

#### Outside of Groundwater Protections Areas

A liner is required for facilities and conveyances handling untreated water that is in direct contact with the soil if the soil has an *initial infiltration* rate<sup>23</sup> greater than 9 inches per hour (0.15 inches per minute) and the soil suitability criteria for groundwater protection given in Chapter 5, Section 5.2.1 is not met.

#### Inside Groundwater Protections Areas

Open facilities are not allowed in *Zone 1 of the Aquifer Protection Area*. Other areas may be required to incorporate liners for groundwater protection. A liner is required for facilities and conveyances handling untreated water that is in direct contact with the soil when the soil infiltration rate exceeds an *initial infiltration rate* of 2.4 inches per hour (0.04 inches per minute) and the soil suitability criteria for groundwater protection given in Chapter 5, Section 5.2.1, is not met.

### Where Liners are Required to Ensure Permanent Pools and Wet Conditions

1. Both cells of a two-cell wetpond and the single cell of a one cell wetpond must retain a permanent pool of water throughout the wet season. A wetpond is considered non-compliant if the pond level drops more than 12 inches in any 7-day measurement period. A low permeability liner will be required to achieve this standard in infiltrative soils.

---

<sup>23</sup> Infiltration rates can either be measured in the field using methods given in Chapter 5 or inferred from the USDA soil textural triangle included in "Groundwater Protection," Section 5.2.1.

2. Presettling ponds must retain a permanent pool of water throughout the wet season. A presettling pond is considered non-compliant if the pond level drops more than 12 inches in any 7-day measurement period. A low permeability liner will be required to achieve this standard in infiltrative soils.
3. Both cells of a stormwater wetland shall be lined in infiltrative soils as follows:
  - a) The first cell of a treatment wetland must retain a permanent pool of water throughout the wet season. It is considered non-compliant if the pond level drops more than 12 inches in any 7-day measurement period. A low permeability liner will be required to achieve this standard in infiltrative soils.
  - b) The second cell must retain water for at least 10 months of the year. A low permeability liner will be required to achieve this standard in infiltrative soils. A treatment liner is an alternative where groundwater levels and/or existing soil infiltration rates are sufficient to achieve the standard.

### General Design Criteria

1. Table 6.2.4.A identifies the type of liner for use with various water quality treatment facilities. If a facility requires a liner, a **treatment liner** shall be provided, except where a low permeability liner is noted in Table 6.2.4.A.
2. Liners shall be evenly placed over the bottom and/or sides of the treatment area of the facility as indicated in Table 6.2.4.A. Areas above the treatment volume that are required to pass flows greater than the water quality treatment flow (or volume) need not be lined, except in groundwater protection areas which must be lined to the 2 year water surface in a combined facility or overflow water surface in a non-combined facility. *Note: If the liner cannot be anchored at the required elevation, the lining must be extended to the top of the interior side slope and anchored.*
3. For **low permeability liners**, the following criteria apply:
  - a) Where the seasonal high groundwater elevation is likely to contact a low permeability liner, liner buoyancy may be a concern. A low permeability liner shall not be used in this situation unless evaluated and recommended by a geotechnical engineer.
  - b) Where grass must be planted over a low permeability liner per the facility design, a minimum of 6 inches of good topsoil or compost-amended<sup>24</sup> native soil (2 inches compost<sup>24</sup> tilled into 6 inches of native soil) must be placed over the liner in the area to be planted. Twelve inches is preferred.
  - c) If an **identification sign** is required for the facility (see detention pond requirements in Section 5.1.1), the face of the sign shall bear a note indicating the facility is lined to protect water quality. In addition, the back of the sign shall include information indicating which facilities are lined, the extent of lining, the liner material used, the liner thickness (if clay or till), and the type and distance of the marker above the liner (if a geomembrane). This information need only be readable by someone standing at arms-length from the sign.
4. If a **treatment liner** will be below the seasonal high water level, the pollutant removal performance of the liner must be evaluated by a geotechnical or groundwater specialist and found to be as protective as if the liner were above the level of the groundwater.

See Sections 6.2.4.1 and 6.2.4.2 for more specific design criteria on the various options for low permeability liners and treatment liners.

<sup>24</sup> Compost must meet the compost quality requirements in Reference Section 11-C.

<b>TABLE 6.2.4.A LINING TYPES FOR WQ FACILITIES</b>		
<b>WQ Facility</b>	<b>Area to be Lined</b>	<b>Type of Liner</b>
Bioswale	Bottom and sides	Treatment liner
Wet bioswale	Bottom and sides	Low permeability liner (If the swale will intercept the seasonal high groundwater table, a treatment liner is recommended.)
Lateral inflow bioswale	Bottom and sides	Treatment liner
Presettling pond or basin	Bottom and sides	Low permeability liner (If the cell will intercept the seasonal high groundwater table, a treatment liner is recommended.)
Wetpond	<b>First cell:</b> bottom and sides to WQ design water surface, (except in groundwater protection areas which must be lined to the overflow water surface	Low permeability liner (If the cell will intercept the seasonal high groundwater table, a treatment liner is recommended.)
	<b>Second cell:</b> bottom and sides to WQ design water surface, (except in groundwater protection areas which must be lined to the overflow water surface	Low permeability liner (If the cell will intercept the seasonal high groundwater table, a treatment liner is recommended.)
	<b>Single cell:</b> bottom and sides to WQ design water surface, (except in groundwater protection areas which must be lined to the overflow water surface	Low permeability liner
Combined detention/WQ facility	<b>First cell:</b> bottom and sides to the 2-year live storage elevation	Low permeability liner (If the cell will intercept the seasonal high groundwater table, a treatment liner is recommended.)
	<b>Second cell:</b> bottom and sides to the 2-year live storage elevation	Low permeability liner (If the cell will intercept the seasonal high groundwater table, a treatment liner is recommended.)
	<b>Single cell:</b> bottom and sides to the 2-year live storage elevation	Low permeability liner
Wet vault	Not applicable	No liner needed
Stormwater wetland	Bottom and sides, both cells	Low permeability liner (If the facility will intercept the seasonal high groundwater table, a treatment liner is recommended.)
Sand filter	Pond sides only	Treatment liner
Detention pond	Bottom and sides to the 2-year live storage elevation	Treatment Liner
Sand filter vault	Not applicable	No liner needed
Linear sand filter	Not applicable if in vault Bottom and sides of presettling cell if not in vault	No liner needed Low permeability or treatment liner
Proprietary filter (in vault)	Not applicable	No liner needed
Bioretention	Bottom and sides (when required per Section 6.8)	Low permeability liner

### 6.2.4.1 DESIGN CRITERIA FOR LOW PERMEABILITY LINER OPTIONS

This section presents the design criteria for each of the following four low permeability liner options:

- Compacted till liners
- Clay liners
- Geomembrane liners
- Concrete liners

#### □ COMPACTED TILL LINERS

1. Liner thickness shall be 18 inches after compaction.
2. Soil shall be compacted to 95% minimum dry density, modified proctor method (ASTM D-1557).
3. Soil should be placed in 6 inch lifts.
4. Soils may be used that meet the following gradation:

Sieve Size	Percent Passing
6 inch	100
4 inch	90
#4	70–100
#200	30–100

#### □ CLAY LINERS

1. Minimum dry (un-swollen) thickness of 12 inches
2. Compacted to 95% minimum dry density, standard proctor method ASTM D-698
3. Clay Particles Passing, ASTM D-422, not less than 30 percent
4. Plasticity Index of Clay, ASTM D4318, not less than 15 percent
5. The slope of clay liners must be restricted to 3H:1V for all areas requiring soil cover; otherwise, the soil layer must be stabilized by another method so that soil slippage into the facility does not occur. Any alternative soil stabilization method must take maintenance access into consideration.
6. Where clay liners form the sides of ponds, the interior side slope should not be steeper than 3H:1V, irrespective of fencing. This restriction is to ensure that anyone falling into the pond may climb out safely.

#### □ GEOMEMBRANE LINERS

1. Geomembrane liners shall be UV resistant and have a minimum thickness of 30 mils. A thickness of 40 mils shall be used in areas of maintenance access or where heavy machinery must be operated over the membrane. Protect the geomembrane liner from puncture, tearing, and abrasion by installing geotextile fabric on the top and bottom of the geomembrane.
2. Geomembranes shall be bedded according to the manufacturer's recommendations.
3. Liners shall be installed so that they can be covered with 12 inches of top dressing forming the bottom and sides of the water quality facility. Top dressing shall consist of 6 inches of crushed rock covered with 6 inches of native soil. The rock layer is to mark the location of the liner for future maintenance operations. As an alternative to crushed rock, 12 inches of native soil may be used if orange plastic "safety fencing" or another highly-visible, continuous marker is embedded 6 inches above the membrane.
4. If possible, liners should be of a contrasting color so that maintenance workers are aware of any areas where a liner may have become exposed when maintaining the facility.

- Where top dressing is required, liners shall not be used on slopes steeper than 5H:1V, to prevent the top dressing material from slipping. Textured liners may be used on slopes up to 3H:1V upon recommendation by a geotechnical engineer or engineering geologist that the top dressing will be stable for all site conditions, including maintenance.

#### ❑ CONCRETE LINERS

- Portland cement concrete liners are allowed irrespective of facility size, and shotcrete may be used on slopes; however, specifications must be developed by an engineer who certifies the liner against cracking or losing water retention ability under expected conditions of operation, including facility maintenance operations. Cautionary design note: weight of maintenance equipment can be up to 80,000 pounds when fully loaded.
- Asphaltic concrete may not be used for a liner because of asphalt's permeability to many organic pollutants, and potential for asphalt to leach pollutants into stored or conveyed water.
- If grass is to be grown in soil over a concrete liner, slopes must be no steeper than 5H:1V to prevent the top dressing material from slipping.

### 6.2.4.2 DESIGN CRITERIA FOR TREATMENT LINER OPTIONS

This section presents the design criteria for the organic soil layer used as a treatment liner.

#### ❑ ORGANIC SOIL LAYER

- A two-foot thick layer of soil with a minimum organic matter (OM) content of 1.0% AND a minimum cation exchange capacity (CEC) of 8 milliequivalents per 100 grams (meq/100g) can be used as a treatment layer beneath a water quality or detention facility. If the soil is amended or imported, the top 8 inches must have a minimum cation exchange capacity of 10 meq/100g and the remainder of the depth no less than 8 meq/100g. An 18-inch layer with the same CEC and OM profile will suffice for ditch conveyances, based on unsaturated flow as a result of alternating wet-dry periods.
- To demonstrate that in-place soils meet the above criteria, one sample per 1,000 square feet of facility area, or 500 linear feet of ditch, and no fewer than three samples shall be tested. Each sample shall be a composite of equally spaced subsamples taken throughout the full extent of the treatment layer depth (usually two to six feet below the expected facility invert for facilities), except stratified composite sampling is required where the top 8 inches are required to meet a higher CEC level (composite of top eight inches and separate composite of the remainder below).
- Organic content shall be measured on a dry weight basis using ASTM D2974.
- Laboratory results shall be provided for cation exchange capacity (CEC).
- Certification by a soils testing laboratory that imported soil meets the organic content and CEC criteria above shall be provided to the local approval authority.
- Soil amendment may only be compost meeting the requirements of Reference Section 11-C.
- If a treatment liner will be below the seasonal high water level, the pollutant removal performance of the liner must be evaluated by a geotechnical or ground water specialist and found to be as protective as if the liner were above the level of the ground water.

### 6.2.5 FLOW SPLITTER DESIGNS

Most water quality facilities may be designed as **flow-through, or on-line, systems** with flows above the water quality design flow or volume simply passing through the facility untreated. However, it is sometimes desirable to restrict flows to water quality treatment facilities and bypass the remaining higher flows around them (**off-line facilities**). This can be accomplished by **splitting flows** in excess of the water quality design flow upstream of the facility and diverting higher flows to a bypass pipe or channel. The bypass typically enters a detention facility or the downstream receiving drainage system, depending on



flow control requirements. In most cases, it is a designer's choice whether WQ facilities are designed as on-line or off-line; an exception is oil/water separators, which must be designed off-line.

A crucial factor in designing flow splitters is to ensure that low flows are delivered to the treatment facility up to the **WQ design flow rate**. Above this rate, additional flows are diverted to the bypass system with minimal increase in head at the flow splitter structure to avoid surcharging the water quality facility under high flow conditions.

*Flow splitters* are typically catch basins or vaults with concrete baffles. In place of baffles, the splitter mechanism may be a half tee section with a solid top and an orifice in the bottom of the tee section. A full tee option may also be used (see "Design Criteria" below). Two possible schematic representations for flow splitters are shown in Figure 6.2.5.A and Figure 6.2.5.B. Other designs that achieve the result of splitting low flows, up to the WQ design flow, into the WQ treatment facility and divert higher flows around the facility may be considered (an adjustment per Section 1.4 may be required upon evaluation by CED staff).

### 6.2.5.1 METHODS OF ANALYSIS

Flow splitters are modeled with the approved model using the design flow rates as described in Section 6.2.1. The stage/discharge relationship of the outflow pipes should be determined using the backwater analysis techniques in Chapter 4. The orifice shall be sized per Section 5.1.4.2. Weirs should be analyzed as sharp-crested weirs.

### 6.2.5.2 DESIGN CRITERIA

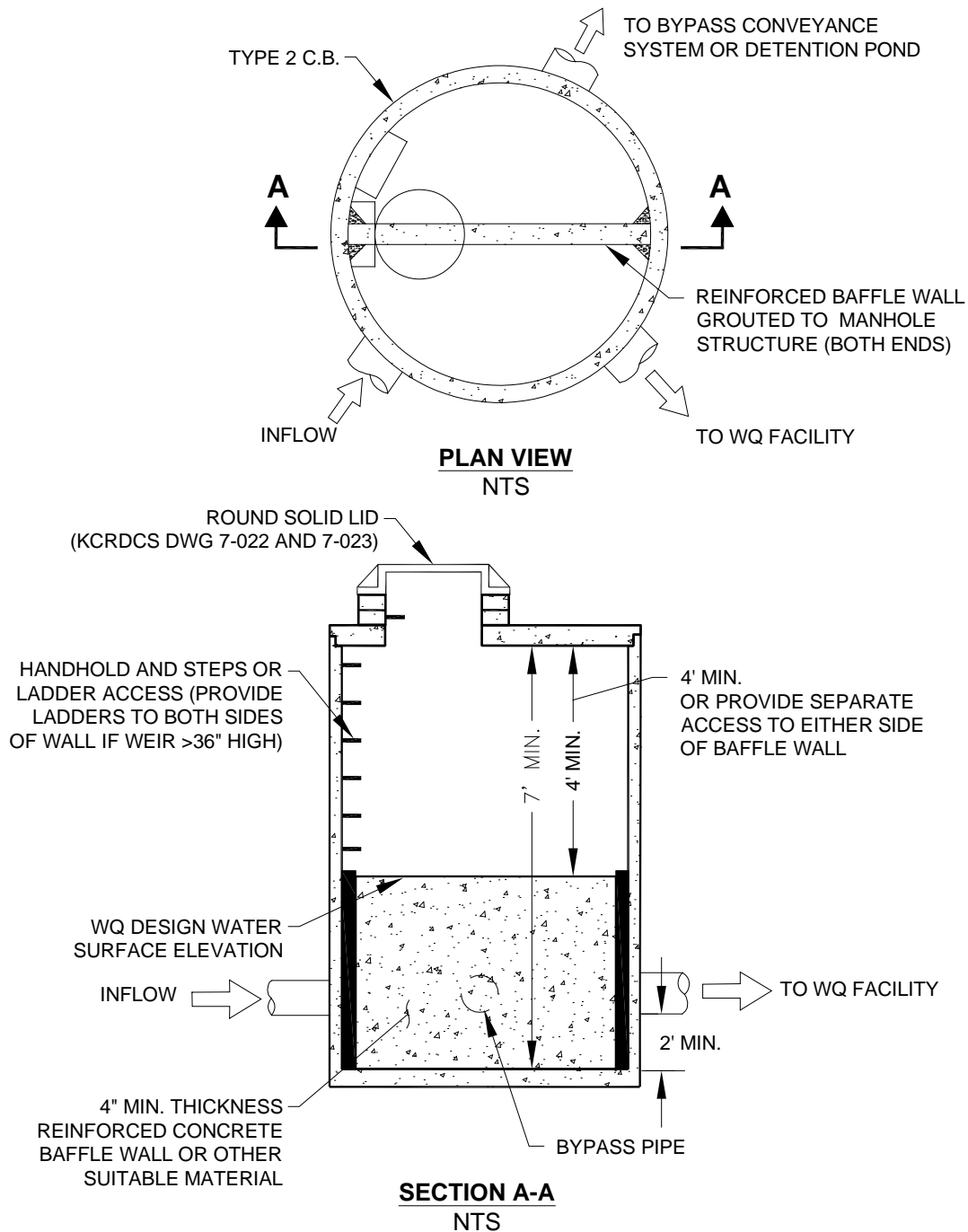
#### General

1. A flow splitter shall be designed to deliver the required **water quality design flow rate** specified in Section 6.2.1 to the WQ treatment facility.
2. The **top of the weir** shall be located at the water surface for the design flow. Remaining flows enter the bypass line. Flows shall be modeled using 15-minute time steps.
3. The **maximum head** shall be minimized for flow in excess of the water quality design flow. Specifically, flow to the WQ facility at the 100-year water surface shall not increase the design WQ flow by more than 10%.
4. Either design shown in Figure 6.2.5.A or Figure 6.2.5.B shall be used.
5. Special applications, such as roads, may require the use of a **modified flow splitter**. The baffle wall may be fitted with a notch and adjustable weir plate to proportion runoff volumes other than high flows.
6. For ponding facilities, backwater effects must be included in designing the height of the standpipe in the catch basin.
7. Ladder or step and handhold access (per *City of Renton Standard Details*) shall be provided. If the weir wall is higher than 36 inches, two ladders, one to either side of the wall, are required.

#### Material Requirements

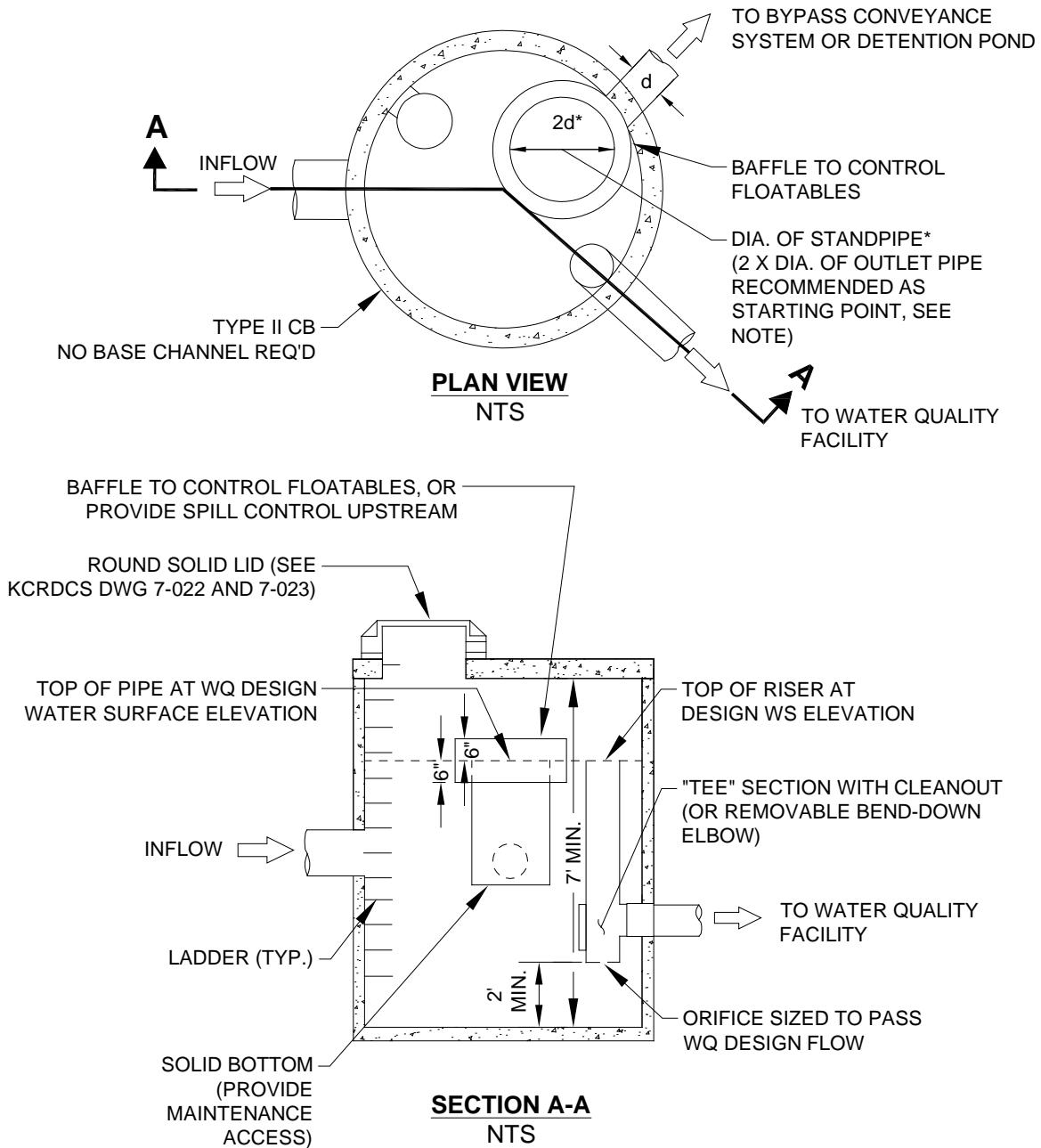
1. The **splitter baffle** shall be installed in a Type 2 catch basin or vault.
2. The **baffle wall** shall be made of reinforced concrete or another suitable material resistant to corrosion, and have a minimum 4-inch thickness. The minimum clearance between the top of the baffle wall and the bottom of the catch basin cover shall be 4 feet; otherwise, dual access points shall be provided.
3. All **metal parts** shall be corrosion resistant. Examples of preferred materials include aluminum, stainless steel, and plastic. Zinc and galvanized materials, bronze and brass, and cadmium-plated hardware shall not be used unless there is no substitute, because of aquatic toxicity. Painting or other coating of metal parts shall not be allowed because of poor longevity and lack of standardization or assurance of non-toxic coatings.

**FIGURE 6.2.5.A SCHEMATIC REPRESENTATION OF FLOW SPLITTER, OPTION A**



**NOTE:**  
THE WATER QUALITY DISCHARGE PIPE MAY REQUIRE AN ORIFICE PLATE TO BE INSTALLED ON THE OUTLET TO CONTROL THE HEIGHT OF THE DESIGN WATER SURFACE (WEIR HEIGHT). THE DESIGN WATER SURFACE SHOULD BE SET TO PROVIDE A MINIMUM HEADWATER/DIAMETER RATIO OF 2.0 ON THE OUTLET PIPE.

**FIGURE 6.2.5.B SCHEMATIC REPRESENTATION OF FLOW SPLITTER, OPTION B**



**\*NOTE:**  
 DIAMETER OF STANDPIPE SHOULD BE LARGE ENOUGH TO MINIMIZE HEAD ABOVE WQ DESIGN WS AND TO KEEP WQ DESIGN FLOWS FROM INCREASING MORE THAN 10% DURING 100-YEAR FLOWS.

## 6.2.6 FLOW SPREADING OPTIONS

*Flow spreaders* function to uniformly spread flows across the inflow portion of water quality facilities (e.g., sand filter, bioswale, or filter strip).

There are five flow spreader options presented in this section:

- Anchored section: Anchored plate or board (Option A)
- Concrete sump box (Option B)
- Notched curb spreader (Option C)
- Through-curb ports (Option D)
- Interrupted curbing (Option E)

Options A through C may be used for spreading flows that are concentrated. Any one of these options may be used when spreading is required by the facility design criteria. Options A through C may also be used for unconcentrated (sheet) flows, and in some cases must be used, such as to correct for moderate grade changes along a filter strip.

Options D and E are only for flows that are already unconcentrated when they enter a filter strip or lateral inflow bioswale. Other flow spreader options are possible with approval from CED.

### 6.2.6.1 DESIGN CRITERIA FOR FLOW SPREADER OPTIONS

#### General Design Criteria

1. Flow must not escape around ends or through any breaks in a flow spreader.
2. Where flow enters the flow spreader through a pipe, it is recommended that the **pipe be submerged** to the extent practical to dissipate energy as much as possible.
3. For **higher velocity inflows** (greater than 5 cfs for the 100-yr storm), a Type 1 catch basin should be positioned in the spreader, and the inflow pipe should enter the catch basin with flows exiting through the top grate. The top of the grate should be lower than the level spreader plate, or if a notched spreader is used, lower than the bottom of the v-notches.
4. Table 4.2.2.F in Chapter 4 provides general guidance for rock protection at outfalls.

#### ❑ OPTION A — ANCHORED PLATE OR BOARD (FIGURE 6.2.6.A)

1. An adjustable-level anchored plate or board flow spreader shall be **preceded by a sump** having a minimum depth of 8 inches and minimum width of 24 inches. If not otherwise stabilized, the sump area shall be lined to reduce erosion and to provide energy dissipation.
2. The top surface of the flow spreader plate or board **shall be level**, projecting a minimum of 2 inches above the ground surface of the water quality facility, or **v-notched** with notches 6 to 10 inches on center and 1 to 6 inches deep (use shallower notches with closer spacing). Alternative designs are allowed. The anchored plate or board level shall be adjustable using slotted bolt holes in the anchored plate or board.
3. A flow spreader plate or board shall extend horizontally beyond the bottom width of the facility to prevent water from eroding the side slope. The **horizontal extent** should be such that the bank is protected for all flows up to the 100-year flow or the maximum flow that will enter the WQ facility.
4. Flow spreader plates or boards shall be **securely fixed in place** by bolts through slotted holes for adjustability in establishing and maintaining level.
5. Flow spreader plates or boards may be made of either **wood, metal, fiberglass reinforced plastic, or other durable material**. If wood, untreated 4 by 10-inch cedar heartwood lumber or cedar landscape timbers are acceptable.

6. **Anchor posts** shall be 4-inch square concrete or tubular stainless steel. Other material resistant to decay may be used if approved by CED.

#### ❑ **OPTION B — CONCRETE SUMP BOX (FIGURE 6.2.6.B)**

1. The **wall of the downstream side** of a rectangular concrete sump box shall extend a minimum of 2 inches above the treatment bed. This serves as a weir to spread the flows uniformly across the bed. The wall shall have an adjustable anchored plate or board as described in Option A above. The adjustable anchored plate or board shall be securely fixed to the concrete wall and meet the same material specifications as described in Option A above.
2. The **downstream wall** of a sump box shall have “wing walls” at both ends. **Side walls and returns** shall be slightly higher than the weir so that erosion of the side slope is minimized.
3. **Concrete** for a sump box may be either cast-in-place or precast, but the bottom of the sump shall be reinforced with wire mesh for cast-in-place sumps.
4. Sump boxes shall be placed over bases that consists of 4 inches of crushed rock,  $\frac{5}{8}$ -inch minus to help ensure the sump remains level.

#### ❑ **OPTION C — NOTCHED CURB SPREADER (FIGURE 6.2.6.C)**

Notched curb spreader sections shall be made of extruded concrete laid side by side and level. Typically five “teeth” per four-foot section provide good spacing. The space between adjacent “teeth” forms a v-notch.

#### ❑ **OPTION D — THROUGH-CURB PORTS (FIGURE 6.2.6.D)**

Sheet flows from paved areas entering filter strips or lateral inflow bioswales may use curb ports or interrupted curbs (Option E) to allow flows to enter the strip or swale. Curb ports use fabricated openings that allow concrete curbing to be poured or extruded while still providing an opening through the curb to admit water to the WQ facility.

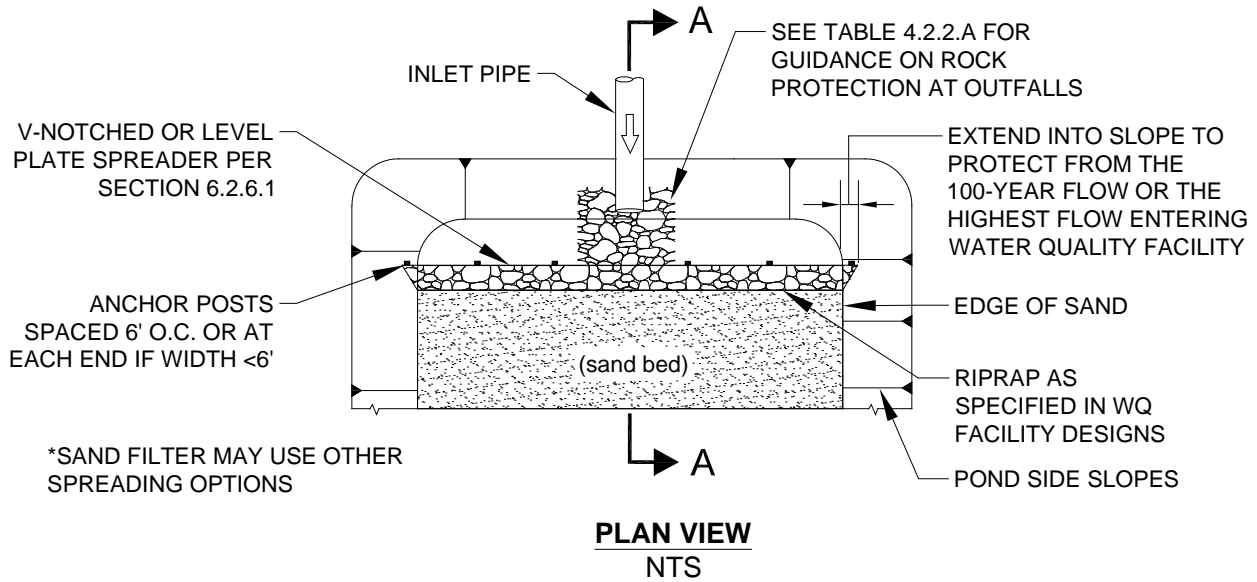
**Openings in the curb** shall be at regular intervals but at least every 6 feet (minimum). The width of each curb port opening shall be a minimum of 11 inches. Approximately 15 percent or more of the curb section length should be in open ports, and no port should discharge more than about 10 percent of the flow.

#### ❑ **OPTION E — INTERRUPTED CURB (NO FIGURE)**

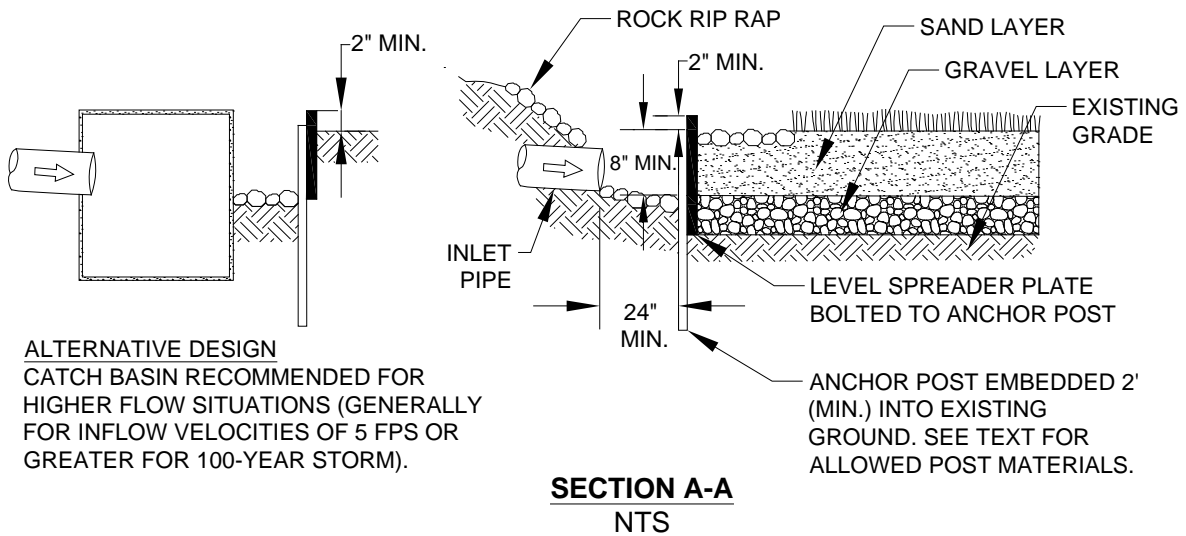
*Interrupted curbs* are sections of curb placed to have gaps spaced at regular intervals along the total width (or length, depending on facility) of the treatment area. At a minimum, **gaps** shall be every 6 feet to allow distribution of flows into the treatment facility before they become too concentrated. The opening shall be a minimum of 11 inches. As a general rule, no opening should discharge more than 10 percent of the overall flow entering the facility.

**FIGURE 6.2.6.A SCHEMATIC REPRESENTATION OF FLOW SPREADER OPTION A: ANCHORED PLATE**

EXAMPLE OF ANCHORED PLATE USED WITH A SAND FILTER\* (MAY ALSO BE USED WITH OTHER WATER QUALITY FACILITIES).



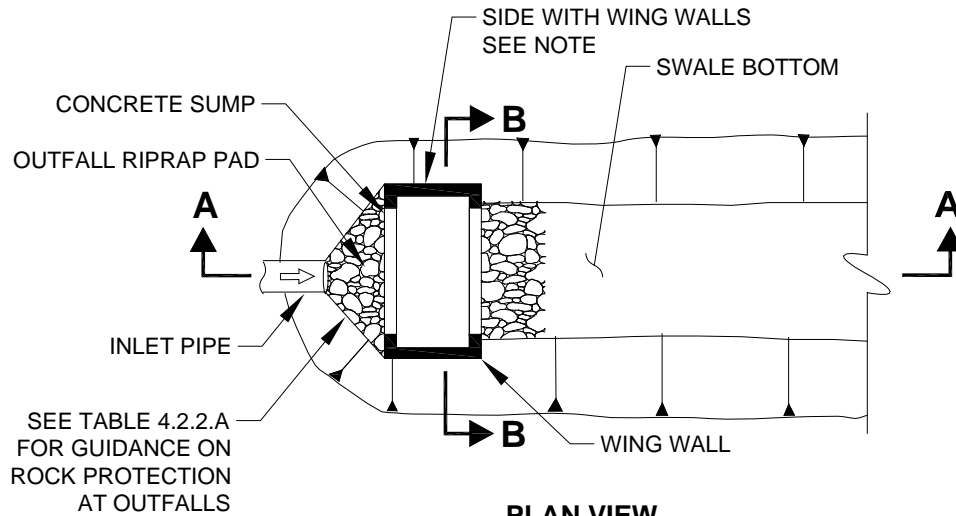
\*SAND FILTER MAY USE OTHER SPREADING OPTIONS



ALTERNATIVE DESIGN  
CATCH BASIN RECOMMENDED FOR HIGHER FLOW SITUATIONS (GENERALLY FOR INFLOW VELOCITIES OF 5 FPS OR GREATER FOR 100-YEAR STORM).

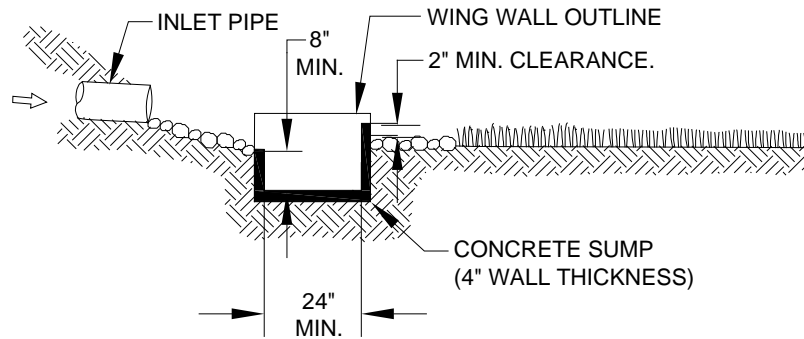
**FIGURE 6.2.6.B SCHEMATIC REPRESENTATION OF FLOW SPREADER OPTION B: CONCRETE SUMP BOX**

EXAMPLE OF A CONCRETE SUMP FLOW SPREADER USED WITH A BIOFILTRATION SWALE (MAY BE USED WITH OTHER WQ FACILITIES)



**PLAN VIEW**

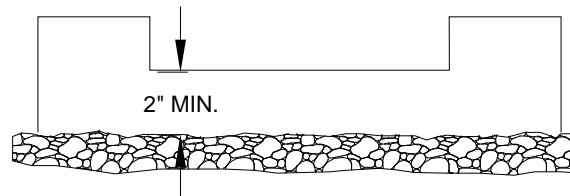
NTS



**SECTION A-A**

NTS

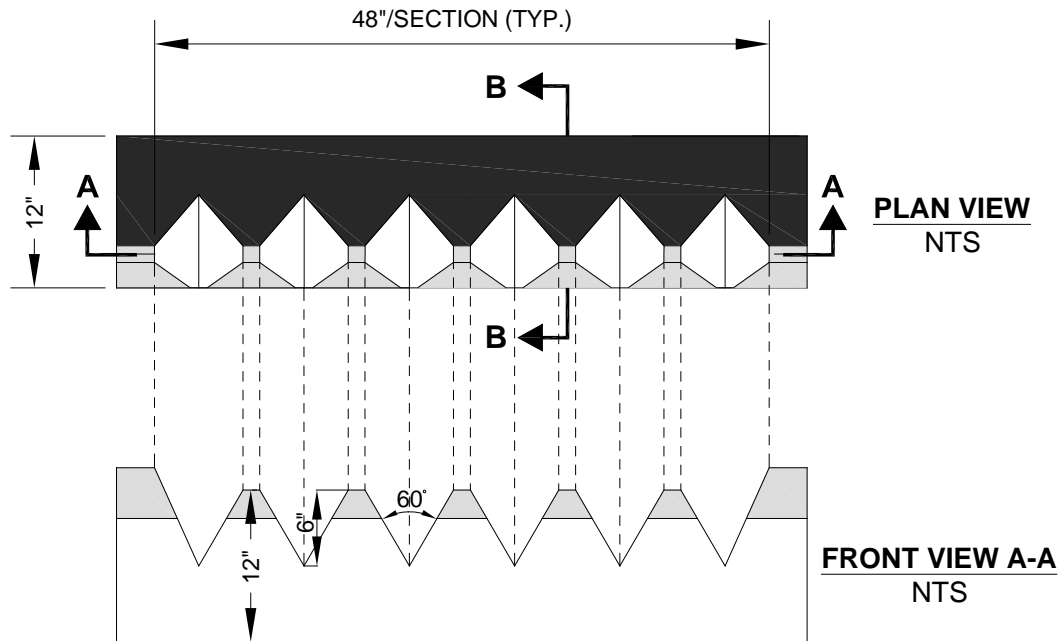
**NOTE:**  
EXTEND SIDES INTO SLOPE. HEIGHT OF SIDE WALL AND WING WALLS MUST BE SUFFICIENT TO HANDLE THE 100-YEAR FLOW OR THE HIGHEST FLOW ENTERING THE FACILITY.



**SECTION B-B**

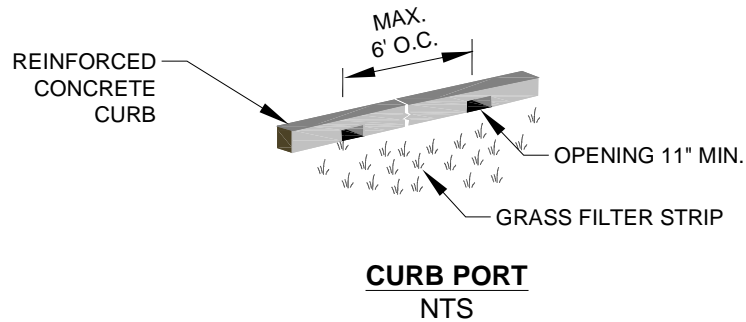
NTS

**FIGURE 6.2.6.C SCHEMATIC REPRESENTATION OF FLOW SPREADER OPTION C: NOTCHED CURB SPREADER**



**NOTE:**  
SEE TABLE 4.2.2.A  
FOR GUIDANCE ON ROCK  
PROTECTION AT OUTFALLS

**FIGURE 6.2.6.D SCHEMATIC REPRESENTATION OF FLOW SPREADER OPTION D: THROUGH-CURB PORT**





## 6.3 VEGETATED FLOWPATH FACILITY DESIGNS

This section presents the methods, details of analysis, and design criteria for bioswales and filter strips. Included in this section are the following specific facility designs:

- “Basic Bioswales,” Section 6.3.1
- “Wet Bioswales,” Section 6.3.2
- “Lateral Inflow Bioswales,” Section 6.3.3
- “Standard Filter Strips,” Section 6.3.4

### GENERAL CONSIDERATIONS

Vegetated flowpath facilities are subject to a number of concerns that do not affect other facilities. Failure mechanisms can include adverse change in plant community, vegetation loss, erosion or channelization, detrimental change in slope or cross-section from siltation, and ponding. The relationship between the surface soil, subsurface soil, groundwater interactions, vegetation type, weather, and shading all contribute to the success or failure of a vegetated flowpath facility. Successful establishment of vegetation requires seeding or planting at a time of year that ensures optimal moisture and temperature/sunlight for growth. Typical maintenance requires mowing, mechanical weed control, and silt removal (e.g., in the bed of a bioswale, or to remove a ‘micro-berm’ forming at the entry edge of a filter strip), which may require re-planting. While there is initial control over vegetation type, the plant community can change on its own over time, and soil profile and content can change over time (compaction from mowing, siltation, holes from voles, etc.). Solutions are site-specific, may require seasonal observation, covering the full range of climatic conditions, and even then, something that works in a normal rainfall year may not to work in an excessively dry or wet year.

The information presented for each facility is organized into the following two categories:

1. **Methods of Analysis:** Contains a step-by-step procedure for designing and sizing each facility.
2. **Design Criteria:** Contains the details, specifications, and material requirements for each facility, plus construction and maintenance considerations as applicable.

### 6.3.1 BASIC BIOSWALES

A *bioswale* is an open, gently sloped, vegetated channel designed for treatment of stormwater (see the schematic representations in Figure 6.3.1.A through Figure 6.3.1.E). The primary pollutant removal mechanism is sedimentation enhanced by plant stems and to a lesser extent by potential trapping and adhesion of pollutants to the plants and thatch. Bioswales generally do not remove dissolved pollutants effectively, although some infiltration to underlying soils may occur depending on the nature of those soils and any required facility liners.

#### Applications and Limitations

Data suggest that the performance of bioswales is highly variable from storm to storm. Ecology and the City of Renton recommend considering other treatment methods that perform more consistently, such as sand filters or wet ponds, before using a bioswale.

A bioswale is designed so that water will flow evenly across the entire width of a densely-vegetated area. A swale may be designed for both treatment and conveyance of onsite stormwater flow. This combined use can reduce development costs by eliminating the need for separate conveyance systems.

Bioswales are best applied on a relatively small scale (generally less than 5 acres of impervious surface). They fit well along roadways, driveways, and parking lots. Swales are more costly to apply in situations where the swale channel would be deep; in deep swales, self-shading can inhibit the necessary grass

growth, resulting in poor pollutant removal performance. Some specific considerations for bioswale applications are as follows:

- A bioswale **shall not be located in a shaded area**. For healthy vegetation growth, a swale should receive a minimum of 6 hours sunlight daily throughout the year, throughout the length of the swale.
- To maintain healthy vegetation growth, a **basic bioswale must dry between storms**. It shall not receive continuous base flows (such as seepage from a hill slope throughout the winter) or be located in a high groundwater area, because saturated soil conditions will kill grass. If these conditions are likely to occur, design options given under “Design Criteria” shall be used, or the wet bioswale design may be used (see Section 6.3.2, for details).
- Stormwater runoff carrying **high concentrations of oil and grease** kills vegetation and impairs the treatment capability of a swale. Where a **high use site** is tributary to a proposed bioswale, an oil control facility option listed in Section 6.6 shall be installed to treat the subject runoff prior to entering the bioswale.
- **Modifying an existing drainage ditch** to create an engineered bioswale may be difficult due to physical constraints and because ditches often serve as conveyance for higher flows from larger offsite areas.
- **Utilities** may be located in swale side slopes above the WQ design depth. However, the repair or placement of utilities in swale side slopes requires aggressive implementation of erosion control practices to prevent soil and sediment from reaching the treatment area of the swale.

*Note: Consult the water quality menus in Section 6.1 for information on how this facility may be used to meet Core Requirement #8. Also see for guidance on which type of bioswale (basic, wet or lateral inflow) to use for a given set of site characteristics.*

### 6.3.1.1 METHODS OF ANALYSIS

Bioswale sizing is based on several variables, including the peak water quality design flow, longitudinal slope, vegetation height, bottom width, side slope, required hydraulic residence time (i.e., the time required for flow to travel the full length of the swale), and design flow depth. Swales sized and built using the method of analysis outlined in this section and the required design criteria presented in Section 6.3.1.2 are expected to meet the Basic Water Quality menu goal of 80% TSS removal. Procedures for sizing bioswales are summarized below.

**Step 1: Calculate design flows.** The swale design is based on the water quality design flow  $Q_{wq}$  (see Section 6.2.1, for a definition of water quality design flow). If a bioswale is used for conveyance, the capacity requirements of Core Requirement #4 must be met. These flows must be estimated using the hydrologic analysis procedures described in detail in Chapter 3 and applying the flow rate modifications described in Section 6.2.1.

If the bioswale is located **upstream** of an onsite detention facility, or if a detention facility is not required, the bioswale design flow shall be the *on-line* or *off-line* (as applicable) water quality flow rate determined from the approved continuous model, modified by a factor  $k$ , the on-line or off-line ratio determined from Table 6.2.1. This modified design flow rate is an estimate of the design flow rate determined by using SBUH procedures.

#### Guidance for Bypassing Off-Line Facilities

**Most bioswales are currently designed to be on-line facilities. However, an off-line design is possible.** Bioswales designed in an off-line mode should not engage a bypass until the flow rate exceeds the modified off-line water quality design flow rate.

If the bioswale is located downstream of an onsite detention facility, the swale design flow shall be the 2-year release rate from the detention facility.

**Step 2: Calculate swale bottom width.** The swale bottom width is calculated based on Manning's equation for open-channel flow. This equation can be used to calculate discharges as follows:

$$Q = \frac{1.49}{n} AR^{0.67} s^{0.5} \quad (6-3)$$

where  $Q$  = flow rate (cfs)  
 $n$  = Manning's roughness coefficient (unitless)  
 $A$  = cross-sectional area of flow (sf)  
 $R$  = hydraulic radius (ft) = area divided by wetted perimeter  
 $s$  = longitudinal slope (along direction of flow) (ft/ft)

For shallow flow depths in swales, channel side slopes are ignored in the calculation of bottom width. Use the following equation (a simplified form of Manning's formula) to estimate the required swale bottom width:

$$b = \frac{Q_{wq} n_{wq}}{1.49 y^{1.67} s^{0.5}} \quad (6-4)$$

where  $b$  = bottom width of swale (ft)  
 $Q_{wq}$  = the *modified* water quality design flow,  $k(Q)$ , modeled on-line or off-line rate), (cfs)  
*where*  $k$  = correlation ratio determined from Table 6.2.1.A  
 $n_{wq}$  = Manning's roughness coefficient for shallow flow conditions = 0.20 (unitless)  
 $y$  = design flow depth (ft)  
 $S$  = longitudinal slope (along direction of flow) (ft/ft)

See "Water Depth and Base Flow" to determine the allowable design water depth. Proceed to Step 3 if the bottom width is calculated to be between 2 and 10 feet.

A minimum 2-foot bottom width is required. Therefore, if the calculated bottom width is less than 2 feet, increase the width to 2 feet and recalculate the design flow depth  $y$  using Equation 6-5 as follows:

$$y = \left( \frac{Q_{wq} n_{wq}}{1.49 s^{0.5} b} \right)^{3/5} \quad (6-5)$$

where  $Q_{wq}$ ,  $n_{wq}$ , and  $s$  are the same values as used in Equation 6-4, but  $b = 2$  feet.

The maximum bottom width is 10 feet; therefore if the calculated bottom width exceeds 10 feet, then one of the following steps is necessary to reduce the design bottom width:

- Increase the longitudinal slope  $S$  to a maximum of 6 feet in 100 feet (0.06 feet per foot).
- Increase the design flow depth  $y$  to a maximum of 4 inches (0.333 feet).
- Reduce the design flow rate by rearranging the swale location with respect to detention facilities; a swale located downstream of a detention facility may have a lower flow rate due to flow attenuation in the detention facility. However, if a swale is located downstream of a detention facility providing **Flow Control Duration Standard** or **Flood Problem Flow Control Standard**, and it is located in till soils (according to the soil groups in Table 3.2.2.A), then the swale must be designed as a wet bioswale (see Section 6.3.2).
- Place a divider lengthwise along the swale bottom (cross section) at least three-quarters of the swale length (beginning at the inlet), without compromising the design flow depth and swale lateral slope requirements. See "Design Criteria" for swale divider requirements. A flow spreader must be provided

at the inlet to evenly divide flows into each half of the swale cross section. See Section 6.2.6 for details on flow spreaders.

**Step 3: Determine design flow velocity.** To calculate the design flow velocity through the swale, use the flow continuity equation:

$$V_{wq} = \frac{Q_{wq}}{A_{wq}} \quad (6-6)$$

where  $V_{wq}$  = design flow velocity (fps)  
 $A_{wq}$  =  $by + Zy^2$  = cross-sectional area (sf) of flow at design depth  
 $Z$  = side slope length per unit height (e.g.,  $Z = 3$  if side slopes are 3H:1V)

If the design flow velocity exceeds 1 foot per second, go back to Step 2 and modify one or more of the design parameters (longitudinal slope, bottom width, or flow depth) to reduce the design flow velocity to 1 foot per second or less. If the design flow velocity is calculated to be less than 1 foot per second, proceed to Step 4.

*Note: It is desirable to have the design velocity as low as possible, both to improve treatment effectiveness and to reduce swale length requirements.*

**Step 4: Calculate swale length.** Use the following equation to determine the necessary swale length to achieve a hydraulic residence time of at least 9 minutes (540 seconds):

$$L = 540V_{wq} \quad (6-7)$$

where  $L$  = minimum allowable swale length (ft)  
 $V_{wq}$  = design flow velocity (fps)

The minimum swale length is 100 feet; therefore, if the swale length is calculated to be less than 100 feet, increase the length to a minimum of 100 feet, leaving the bottom width unchanged. If a larger swale could be fitted on the *site*, consider using a greater length to increase the hydraulic residence time and improve the swale's pollutant removal capability. If the calculated length is too long for the *site*, or if it would cause layout problems, such as encroachment into shaded areas, proceed to Step 5 to further modify the layout. If the swale length can be accommodated on the *site*, proceed to Step 6.

**Step 5: Adjust swale layout to fit on site.** If the swale length calculated in Step 4 is too long for the *site*, the length may be reduced (to a minimum of 100 feet) by increasing the bottom width up to a maximum of 16 feet, **as long as the 9 minute retention time is retained**. However, the length cannot be increased in order to reduce the bottom width because Manning's depth-velocity-flow rate relationships would not be preserved. If the bottom width is increased to greater than 10 feet, a low dividing berm is needed to split the swale cross section in half.

Length can be adjusted by finding the top area of the swale and providing an equivalent top area with the adjusted dimensions.

1. Calculate the swale treatment top area based on the swale length calculated in Step 4:

$$A_{top} = (b_i + b_{slope}) L_i \quad (6-8)$$

where  $A_{top}$  = top area (sf) at the design treatment depth  
 $b_i$  = bottom width (ft) calculated in Step 2  
 $b_{slope}$  = the additional top width (ft) above the side slope for the design water depth (for 3:1 side slopes and a 4-inch water depth,  $b_{slope} = 2$  feet)  
 $L_i$  = initial length (ft) calculated in Step 4.

- Use the swale top area and a reduced swale length  $L_f$  to increase the bottom width, using the following equation:

$$L_f = \frac{A_{top}}{(b_f + b_{slope})} \quad (6-9)$$

where  $L_f$  = reduced swale length (ft)  
 $b_f$  = increased bottom width (ft).

- Recalculate  $V_{wq}$  according to Step 3 using the revised cross-sectional area  $A_{wq}$  based on the increased bottom width  $b_f$ . Revise the design as necessary if the design flow velocity exceeds 1 foot per second.
- Recalculate to ensure that the 9 minute retention time is retained.

**Step 6: Provide conveyance capacity for flows higher than  $Q_{wq}$ .** Bioswales may be designed as flow-through channels that convey flows higher than the water quality design flow rate, or they may be designed to incorporate a high-flow bypass upstream of the swale inlet. A high-flow bypass usually results in a smaller swale size (see flow splitter options, Section 6.2.5, for more information on designing bypasses). If a high-flow bypass is provided, this step is not needed. If no high-flow bypass is provided, proceed with the procedure below.

- Check the swale sized using Steps 2 through 5 above to determine whether the swale can convey the 25-year and 100-year peak flows consistent with the conveyance requirements of Core Requirement #4 in Chapter 1. The roughness coefficient  $n$  in Manning's equation shall be selected to reflect the deeper flow conditions with less resistance provided by grass during these high-flow events. The bottom width (Step 2) should be calculated as per Section 4.4.1.2, "Methods of Analysis" for open channels.
- The 100-year peak flow velocity ( $V_{100} = Q_{100}/A_{100}$ ) based on the 100-year flow depth must be less than 3.0 feet per second. If  $V_{100}$  exceeds 3.0 feet per second, return to Step 2 and increase the bottom width or flatten the longitudinal slope as necessary to reduce the 100-year peak flow velocity to 3.0 feet per second or less. If the longitudinal slope is flattened, the swale bottom width must be recalculated (Step 2) and meet all design criteria.
- The conveyance requirements in Core Requirement #4 (see Section 1.2.4) must be met.

### 6.3.1.2 DESIGN CRITERIA

An effective bioswale achieves uniform sheet flow over and through a densely vegetated area for a period of several minutes. Figure 6.3.1.A shows a typical bioswale schematic. Basic design requirements for achieving proper flow conditions through a bioswale are described below.

#### Swale Geometry

- Swale **bottom width** shall be between 2 and 16 feet.<sup>25</sup>
  - Minimum bottom width** is 2 feet to allow for ease of mowing.
  - If the bottom width exceeds 10 feet, a length-wise divider shall be provided. The divider shall extend from the flow spreader at the inlet for at least three-quarters of the swale length.
  - Maximum bottom width** is 16 feet, excluding the width of the divider.

<sup>25</sup> Experience with biofiltration swales shows that when the width exceeds about 10 feet it is difficult to keep the water from forming low-flow channels. It is also difficult to construct the bottom level and without sloping to one side. Biofilters are best constructed by leveling the bottom after excavating, and after the soil is amended. A single-width pass with a front-end loader produces a better result than a multiple-width pass.

*Note: Multiple swales may be placed side by side provided the flow to each swale is split at the inlet and spread separately for each swale. Adjacent swales may be separated with a vertical wall, but a low berm is preferred for easier maintenance and better landscape integration.*

2. The **longitudinal slope** (along the direction of flow) should be between 1.5 percent and 6 percent.
  - a) If the longitudinal slope is less than 1.5 percent, underdrains must be provided (see next page and Figure 6.3.1.C, for underdrain specifications) or the swale must be designed according to the criteria presented in Section 6.3.2 for **wet bioswales**.
  - b) Wet bioswales in outwash soils and low groundwater conditions are discouraged as plant survival may be compromised.
  - c) If the longitudinal slope exceeds 6 percent, **check dams** with vertical drops of 12 inches or less shall be provided to achieve a bottom slope of 6 percent or less between the drop sections.
3. The swale bottom shall be **flat** in cross section (perpendicular to the flow direction) to promote even flow across the whole width of the swale.
4. The **minimum swale length** shall be 100 feet; no maximum length is set.
5. The **swale treatment area** (below the WQ design water depth) shall be trapezoidal in cross-section. **Side slopes within the treatment area** should be 3H:1V or flatter whenever possible, but shall not be steeper than 2H:1V.
6. **Side slope sections above the treatment area** may be steeper than 3H:1V, subject to the following provisions:
  - a) If there is an interior side slope between 1H:1V and 2H:1V outside the treatment area, the slope shall be reinforced with **erosion control netting or matting** during construction.
  - b) Any interior slope steeper than 1H:1V shall be constructed as a **rockery or structural retaining wall**<sup>26</sup> to prevent the swale slope from sloughing. To ensure that adequate sunlight reaches the swale bottom, **only one wall can be taller than 2 feet**. If possible, the higher wall should be on the northern or eastern side of the swale to maximize the amount of light reaching the swale bottom.
7. **Curved swales** are encouraged for aesthetic reasons, but curves must be gentle to prevent erosion and allow for vehicle access to remove sediment. Criteria for maintenance access road curves shall also be applied for swale curves (see Section 5.1.1.1 for design of access roads).

### Water Depth and Base Flow

1. A swale that will be **frequently mowed**, as in commercial or landscaped areas, shall have a **design water depth** of no more than 2 inches (0.17 feet) under the water quality design flow conditions.
2. A swale that will **not be frequently mowed**, such as along roadsides or in rural areas, shall have a **design water depth** of no more than 4 inches (0.33 feet) under the water quality design flow conditions.
3. If a swale is located **downstream of a detention facility providing *Flow Control Duration Standard* or *Flood Problem Flow Control Standard***, and it is located in till soils (according to the soil groups in Table 3.2.2.B, Chapter 3), then the swale must be designed as a **wet bioswale** (see Section 6.3.2).
4. If a swale will receive **base flows** because of seeps and springs onsite, then either a low-flow drain shall be provided or a wet bioswale shall be used. *Low-flow drains* are narrow surface drains filled with pea gravel that run lengthwise through the swale to bleed off base flows; they should not be confused with underdrains. In general, base flows less than 0.01 cfs per acre can be handled with a low-flow drain. If flows are likely to be in excess of this level, a wet bioswale shall be used.

<sup>26</sup> Soil bioengineering techniques may be used as an alternative to a rockery or structural retaining wall.

5. If a **low-flow drain** is used, it shall extend the entire length of the swale. The drain shall be a minimum of 6 inches deep, and its width shall be no greater than 5 percent of the calculated swale bottom width; the width of the drain shall be in addition to the required bottom width. If an anchored plate or concrete sump is used for flow spreading at the swale inlet, the plate or sump wall shall have a v-notch (maximum top width = 5% of swale width) or holes to allow preferential exit of low flows into the drain. See Figure 6.3.1.D for low-flow drain specifications and details.

### Flow Velocity, Energy Dissipation, and Flow Spreading

1. The **maximum flow velocity** through the swale under the water quality design flow conditions shall not exceed 1.0 foot per second.
2. The **maximum flow velocity** through the swale under the peak 100-year flow conditions shall not exceed 3.0 feet per second.
3. A **flow spreader** shall be used at the inlet of a swale to dissipate energy and evenly spread runoff as sheet flow over the swale bottom. Flow spreaders are recommended but not required at mid-length. For details on various types of flow spreaders, see Section 6.2.6.
4. If **check dams** are used to reduce the longitudinal slope of the swale, a **flow spreader** shall be provided at the toe of each vertical drop. The spreader must span the width of the swale. An **energy dissipater** shall also be provided if flows leaving the spreader could be erosive.
5. If a swale **discharges flows to a slope** rather than to a piped system or confined channel, an **energy dissipater** shall be provided at the swale outlet. This requirement also applies to discharges from swale underdrains. The outlet energy dissipater may be a riprap pad sized according to the specifications described in Table 4.2.2.A for conveyance system outfalls.

### Underdrains

If underdrains are required by Criterion 2 under “Swale Geometry,” they must meet the following criteria:

1. Underdrains must be made of **PVC perforated pipe** (SDR 35), laid parallel to the swale bottom and backfilled and bedded as shown in Figure 6.3.1.C.
2. For facilities to be maintained by the City, the underdrain pipe must be 6 inches or greater in **diameter**. (Six inches is the smallest diameter pipe that can be cleaned without damage to the pipe.)
3. Six inches of clean **drain rock** ( $\frac{5}{8}$ -inch minus) must be above the top of the pipe.
4. The drain rock must be wrapped in **geotextile**. See WSDOT Standard Specifications (2014), 9-33.2(1) Geotextile Properties/Table 1/Moderate Survivability/Woven, and Table 2, Class A
5. The underdrain **must drain freely** to an acceptable discharge point.

### Swale Divider

1. If a swale divider is used (such as when swale bottom widths are greater than 10 feet), the divider shall be constructed of a **firm material** that will resist weathering and not erode, such as concrete, compacted soil seeded with grass, untreated heartwood cedar, or untreated whole de-barked cedar logs. Selection of divider material shall take into consideration swale maintenance, especially mowing.
2. The divider shall have a **minimum height** of one inch higher than the water quality design water depth.
3. **Earthen berms** shall be no steeper than 2H:1V.
4. Materials other than earth (e.g., concrete, untreated heartwood cedar lumber, etc.) shall be embedded to a depth sufficient to be stable.

## Access

1. For swales to be maintained by the City, an **access road** shall be provided to the swale inlet and along one side of the swale according to the schedule shown in Table 6.3.1.B below.

*Note: City streets and paved parking areas adjacent to the top of slope may be counted as access.*

TABLE 6.3.1.B REQUIREMENTS FOR BIOSWALE ACCESS ROAD	
Swale Bottom Area*: L x w (sf)	Access Road Length
200–1000	$\frac{1}{2}$ swale length L
1000–1600	$\frac{2}{3}$ swale length L
Over 1600	entire swale length L
* The swale area used for computing access road length may be the bottom area.	

2. In areas outside critical area buffers, **wheel strips** made of modular grid pavement may be built into the swale bottom for maintenance vehicle access instead of an access road. The subgrade for the strips must be engineered to support a vehicle weight of 16,000 pounds and installed according to the manufacturer's recommendations on firm native soil or structural fill, not on the amended topsoils. Each strip shall be 18 inches wide and spaced as shown in Figure 6.3.1.E. The strip lattice should be filled or covered with native soil (no amendments required) and overseeded with grass. If a low-flow drain is also needed (see "Water Depth and Base Flow" in Section 6.3.1.2), a portion of the wheel strip may be filled with pea gravel as appropriate to form the drain. Continuous vehicle access shall be provided to the wheel strips from the access road. If access to the wheel strips is over the flow-spreader, then a grate (or other CED approved method) shall be placed over the flow-spreader for vehicle access. Wheel strips shall not be counted as treatment area; therefore, the swale bottom width must be increased accordingly.

## Soil Amendment

1. If the soil has an organic content of 1 percent or greater, do not amend. If the soil has an organic content of less than 1%, two inches of **mature, stable compost** shall be tilled into the entire swale treatment area. This applies to both till soils as well as sandy soils. In very coarse soils (gravels or coarser), **top soil** must be imported and amended to the required organic content.
  - a) Compost must be tilled into the underlying native soil to a depth of 6 inches to prevent the compost from being washed out and to avoid creating a defined layer of different soil types that can prevent downward percolation of water.
  - b) Compost must meet Specification 1 described in Reference Section 11-C.
2. **Soil or sod** with a clay content of greater than 10 percent should be avoided. If there is concern for contamination of the underlying groundwater, the swale bottom shall be lined with a treatment liner to prevent groundwater contamination. See "Facility Liners," Section 6.2.4, for details on treatment liner options.

## Planting Requirements

1. Vegetation shall be established throughout the entire treatment area of the swale subject to the following provisions:
  - a) **Seeding** is best performed in fall (late September to October) or in spring (mid-March to June). For summer seeding or seeding during dry conditions, sprinkler systems or other measures for watering the seed must be provided. Soil temperatures should be between 50 and 65 degrees to allow for seed germination of cool season grasses.
  - b) Seed may be applied via **hydroseeding** or broadcast application.
  - c) **Irrigation** is required during the first summer following installation if seeding occurs in spring or summer or during prolonged dry times of year. Swales seeded in the fall may not need irrigation. However, the maintenance and defect financial guarantee will not be released unless a healthy grass cover is established. Therefore, **site** planning should address the need for sprinklers or other means of irrigation.



2. Swale treatment areas are subject to both dry and wet conditions, as well as accumulation of sediment and debris. A mixture of dry-area and wet-area grass, rush, and sedge species that can continue to grow through silt deposits is most effective. Two acceptable **grass seed mixes** for the City of Renton are listed in Table 6.3.1.C. The mixes shall be applied throughout the swale in the treatment area at a rate of 120 to 140 seeds per square foot. As an alternative to these mixes, a horticultural or erosion control specialist may develop a seed specification tailored to the *site*. Table 6.3.1.D lists grasses or other plants particularly tolerant of wet conditions. Some of these seed types, however, may not be commercially available.
3. A newly constructed swale shall be **protected from stormwater flows until vegetation has been established**. This may be done by diverting flows or by placing an erosion control blanket over the freshly applied seed mix until the grass is well rooted. See Appendix D, *ESC Standards*, for details on erosion control blankets.
4. **Above the design treatment elevation**, either a typical lawn seed mix or landscape plants may be used. However, for swales also used to convey high flows, consideration shall be given to the soil binding capacity of the vegetation. Acceptable grasses and groundcovers are presented in Table 6.3.1.E. Plant material other than that given in the table may be used if the swale is privately maintained and the plants selected will not spread into the swale treatment area. Ivy shall not be used because of its tendency to spread. Native plant species (e.g., kinnikinnick) are preferred.
5. **Sod** may be used as a temporary cover during the wet season, but sodded areas must be reseeded with a suitable grass seed mix as soon as the weather is conducive to seed germination, unless the sod is grown from a seed mix suitable for the wetter conditions of a bioswale. Sod must be removed or rototilled into the underlying soil before reseeding. Criteria #1 and 2 above for seeding shall then be followed.

**TABLE 6.3.1.C GRASS SEED MIXES SUITABLE  
FOR BIOSWALE TREATMENT AREAS**

MIX 1 STANDARD SEED MIX			MIX 2 LOW GROWING SEED MIX		
Species Composition	Latin Name	Common Name	Species Composition	Latin Name	Common Name
15%	<i>Beckmannia syzigachne</i>	American sloughgrass	15%	<i>Bromus carinatus</i>	California brome
20%	<i>Deschampsia cespitosa</i>	Tufted hairgrass	18%	<i>Bromus vulgaris</i>	Columbia brome
18%	<i>Elymus glaucus</i>	Blue wildrye	15%	<i>Deschampsia cespitosa</i>	Tufted hairgrass
20%	<i>Festuca rubra</i> var. <i>rubra</i>	Native red fescue	15%	<i>Danthonia californica</i>	California oatgrass
12%	<i>Hordeum brachyantherum</i>	Meadow barley	17%	<i>Festuca rubra</i> var. <i>rubra</i>	Native red fescue
15%	<i>Glyceria occidentalis</i>	Northwestern mannagrass	10%	<i>Glyceria occidentalis</i>	Western manna grass
			10%	<i>Hordeum brachyantherum</i>	Meadow barley

Notes:  
 All percentages are targeted species composition of seed.  
 Mixes are comprised of species native to King County and are not considered turf grass mixes. Mowing, if necessary, is best done after mature seeds have dispersed to continue self-propagation of plant community.  
 Sow Mix 1 at a rate of 31 pounds of pure live seed (PLS) per acre.  
 Sow Mix 2 at a rate of 39 pounds of pure live seed (PLS) per acre.

**TABLE 6.3.1.C FINELY-TEXTURED PLANTS TOLERANT OF  
FREQUENT SATURATED SOIL CONDITIONS OR STANDING WATER**

Grasses		Wetland Plants	
Latin Name	Common Name	Latin Name	Common Name
<i>Alopecurus aequalis</i>	Shortawn Foxtail	<i>Carex deweyana</i>	Dewey Sedge
<i>Agrosits</i> spp.	Bentgrass	<i>Carex stipata</i>	Sawbeak Sedge
<i>A. exarata</i>	Spike Bentgrass	<i>Carex pachystachya</i>	Thick Headed Sedge
<i>A. alba</i> or <i>gigantea</i>	Redtop	<i>Eleocharis palustris</i>	Spike Rush
<i>Glyceria</i> spp.	Mannagrass	<i>Juncus tenuis</i>	Slender Rush
<i>G. occidentalis</i>	Western	<i>Juncus ensifolius</i>	Swordleaf Rush
<i>G. borealis</i>	Northern		
<i>G. leptostachya</i>	Slender-Spiked		
<i>Poa palustris</i>	Fowl Bluegrass		
<i>Deschampsia cespitosa</i>	Tufted hairgrass		
<i>Holcus mollis</i>	Velvet Grass		

**TABLE 6.3.1.D GROUNDCOVERS AND GRASSES  
SUITABLE FOR THE UPPER SIDE SLOPES OF A BIOSWALE**

Groundcovers	
Common Name	Latin Name
Kinnikinnick*	<i>Arctostaphylos uva-ursi</i>
Alumroot*	<i>Heuchera micrantha</i>
Fringecup	<i>Tellima grandiflora</i>
Strawberry*	<i>Fragaria chiloensis</i>
Broadleaf Lupine*	<i>Lupinus latifolius</i>
Dull Oregon grape*	<i>Mahonia nervosa</i>
Creeping raspberry	<i>Rubus calycinoides</i>
Creeping snowberry*	<i>Symphoricarpos mollis</i>
Yarrow*	<i>Achillea millefolium</i>
Youth on age	<i>Tolmiea menziesii</i>
Grasses (drought-tolerant, minimum mowing)	
California brome*	<i>Bromus carinatus</i>
California oatgrass*	<i>Danthonia californica</i>
Blue wildrye*	<i>Elymus glaucus</i>
Tufted Fescue	<i>Festuca amethystina</i>
Hard Fescue	<i>Festuca ovina duriuscula</i> (e.g., Reliant, Aurora)
Red Fescue*	<i>Festuca rubra</i> var. <i>rubra</i>
Blue Oatgrass	<i>Helictotrichon sempervirens</i>
Low-growing turf mix (% species composition):	
<ul style="list-style-type: none"> <li>• Hard fescue/<i>Festuca brevipila</i> (25%)</li> <li>• Sheep fescue/<i>Festuca ovina</i> (30%)</li> <li>• Red fescue/<i>Festuca rubra</i> var. <i>rubra</i> (25%)</li> <li>• Prairie junegrass/<i>Koeleria macrantha</i> (20%)</li> </ul>	
*Native species.	
Notes:	
Many other ornamental grasses which require only annual mowing are suitable.	
Ivy is not permitted.	

### Recommended Design Features

The following features should be incorporated into bioswale designs where *site* conditions allow.

#### Swale Layout and Grading

1. If the longitudinal slope is less than 1.5 percent, and an underdrain is used per Section 6.3.1.2, “Design Criteria,” the **subgrade** should contain 10 percent or more of sand to promote infiltration of standing water. If sand is added to promote drainage, the soil or sand substrate must still be amended with compost. Compost must meet Specification 1 described in Reference Section 11-C.
2. **Underdrains** may be necessary for swales greater than 1.5 percent longitudinal slope on poorly drained till soils, especially if it is likely that the swale will intercept groundwater.
3. Bioswales should be aligned to avoid sharp bends where erosion of the swale side slope can occur. However, gradual meandering bends in the swale are desirable for aesthetic purposes and to promote slower flow.

### Location and Landscaping

1. During seeding, slow-release **fertilizers** may be applied to speed the growth of grass. If the swale is located in a sensitive lake watershed, low phosphorus fertilizers (such as formulations in the proportion 3:1:3 N-P-K or less) or slow-release phosphorus formulations such as rock phosphate should be used, and at no more than the minimum necessary agronomic rate. A typical fertilizer application rate should be no more than 2 pounds per 1,000 square feet. Regardless of location, the fertilizer must meet the requirements of Chapter 15.54.500 RCW limiting the use of fertilizer containing phosphorus.
2. Consultation with a **landscape or erosion control specialist** is recommended for project-specific recommendations on grass seed, fertilizer, and mulching applications to ensure healthy grass growth. The **grass mix** should be capable of surviving and remaining healthy under both dry and wet conditions with limited maintenance.
3. A grassy swale should be incorporated into the *project site* landscape design. **Shrubs** may be planted along the edges of a swale (above the WQ treatment level) provided that exposure of the swale bottom to sunlight and maintenance accessibility are not compromised.

*Note: For swales used to convey high flows, the plant material selected must bind the soil adequately to prevent erosion.*

4. Swales should not be located in areas where **trees** will drop leaves or needles that can smother the grass or clog part of the swale flow path. Likewise, landscaping plans should take into consideration the problems that **falling leaves and needles** can cause for swale performance and maintenance. Landscape **planter beds** should be designed and located so that soil does not erode from the beds and enter a nearby bioswale.

### Construction Considerations

1. If a bioswale is put into operation before all construction in the drainage area of the swale is complete, the swale must be cleaned of sediment and reseeded prior to acceptance by the City. The City will not release financial guarantees if swales are not restored and vigorous grass growth established.
2. It is preferable to provide good erosion control before runoff enters a bioswale. Swales are designed to handle only modest sediment loads from stabilized *sites*.

### Maintenance Considerations

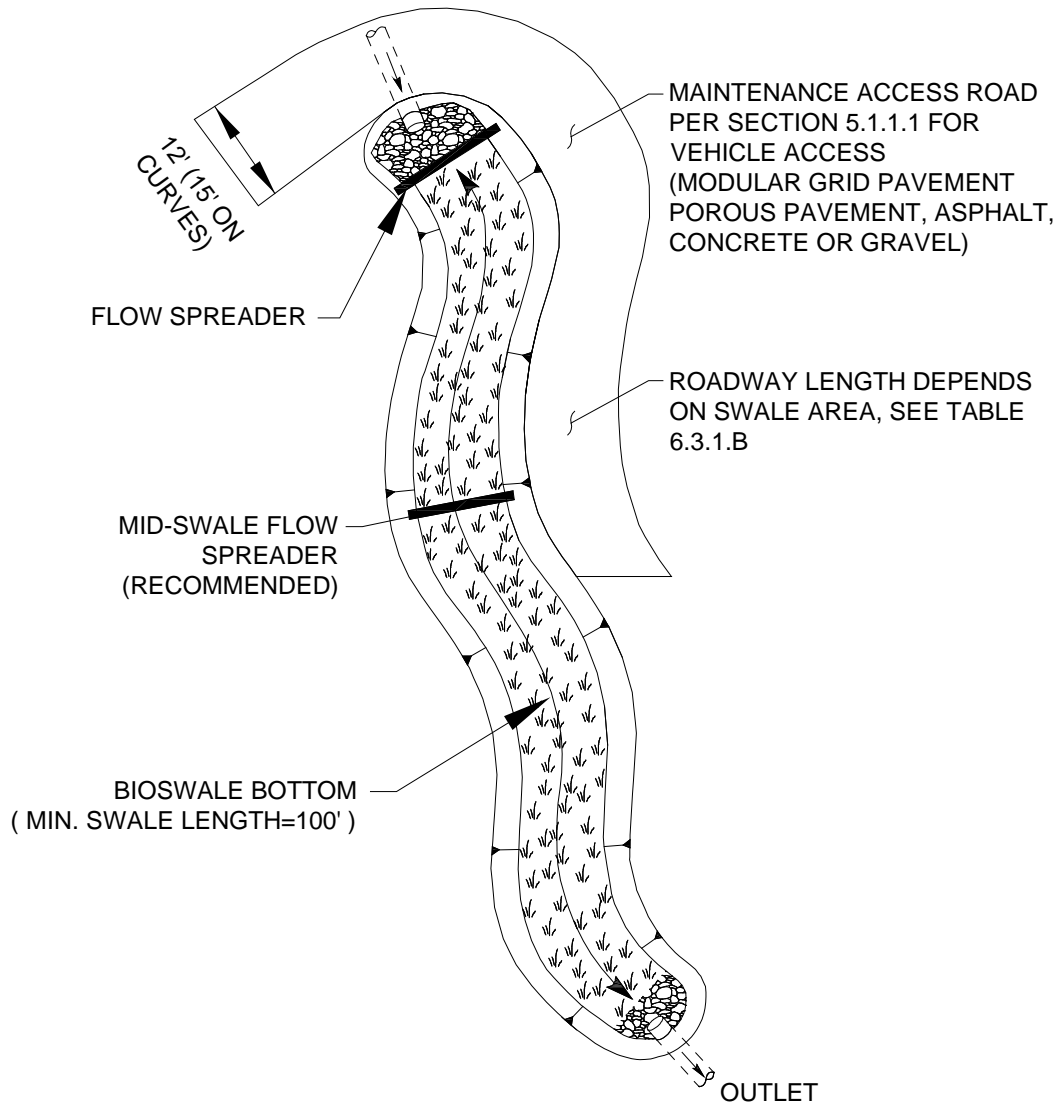
The design criteria given previously have incorporated maintenance concerns into swale design. However, the designer should know the type and frequency of maintenance anticipated so that alternative proposals can incorporate maintenance activity.

Typical swale maintenance includes routine mowing, sediment and debris removal, and repair of eroded or scoured channel sections as described below.

1. Grass should be **mowed to maintain an average grass height** between 4 inches and 9 inches, depending on the *site* situation. Annual mowing after seed fall is recommended to maintain grass vigor.
2. **Mulch mowing** is allowed to replenish soil nutrients. **Grass clippings** may also be removed and disposed of properly offsite.
3. **Sediment** deposited at the head of the swale should be removed if grass growth is being inhibited for more than 10 percent of the swale length or if the sediment is blocking the even spreading or entry of water to the rest of the swale. Annual sediment removal and spot reseeded may be necessary.
4. If flow **channelization or erosion** has occurred, the swale should be regraded to produce a flat bottom width, and then reseeded as necessary. If the channel results from constant base flow, it may be better to install a low-flow drain rather than to regrade. Regrading should not be required every year.

5. For swales with underdrains, **vehicular access to the swale bottom** (other than grass mowing equipment) should be avoided because the drainpipe cannot support vehicle weight. Consideration should be given to providing wheel strips in the swale bottom if access is needed.

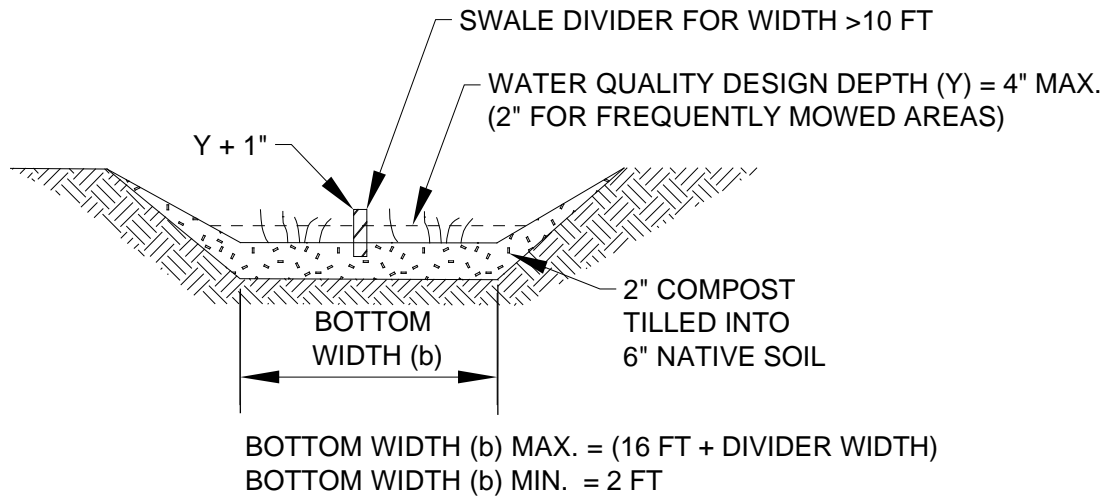
**FIGURE 6.3.1.A SCHEMATIC REPRESENTATION OF A BIOSWALE**



**NOTE:**  
 PREFERRED LONGITUDINAL SLOPE 1.5% TO 6%, SEE SECTION 6.3.1.2.  
 FOR SLOPE < 1.5%, PROVIDE UNDERDRAIN OR WET BIOSWALE.  
 SLOPE > 6% REQUIRES CHECK DAMS AND VERTICAL DROPS TO REDUCE EFFECTIVE SLOPE.

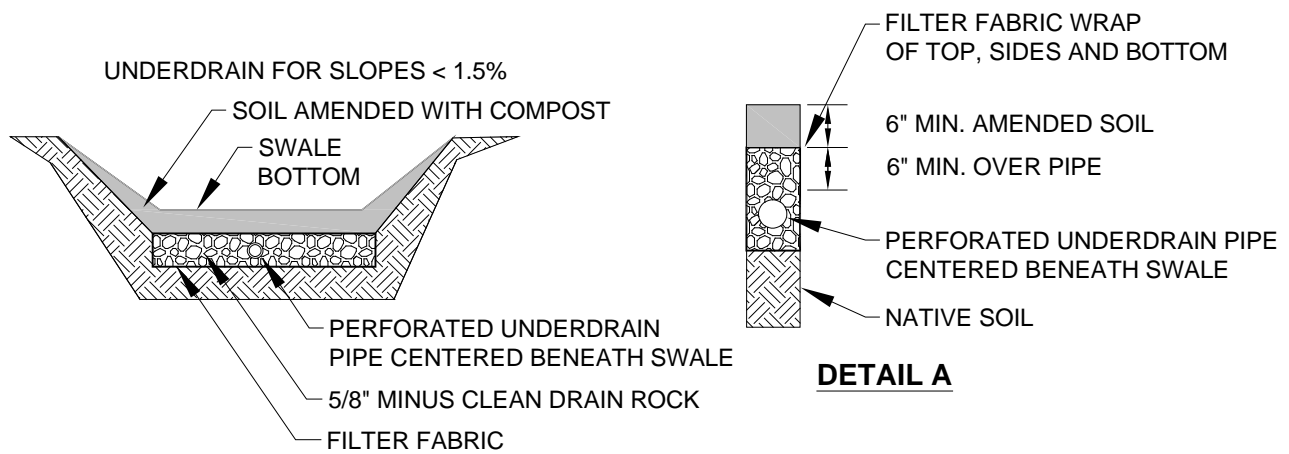
**PLAN VIEW**  
 NTS

**FIGURE 6.3.1.B SCHEMATIC REPRESENTATION OF A BIOSWALE CROSS-SECTION**



**TYPICAL SWALE SECTION**  
NTS

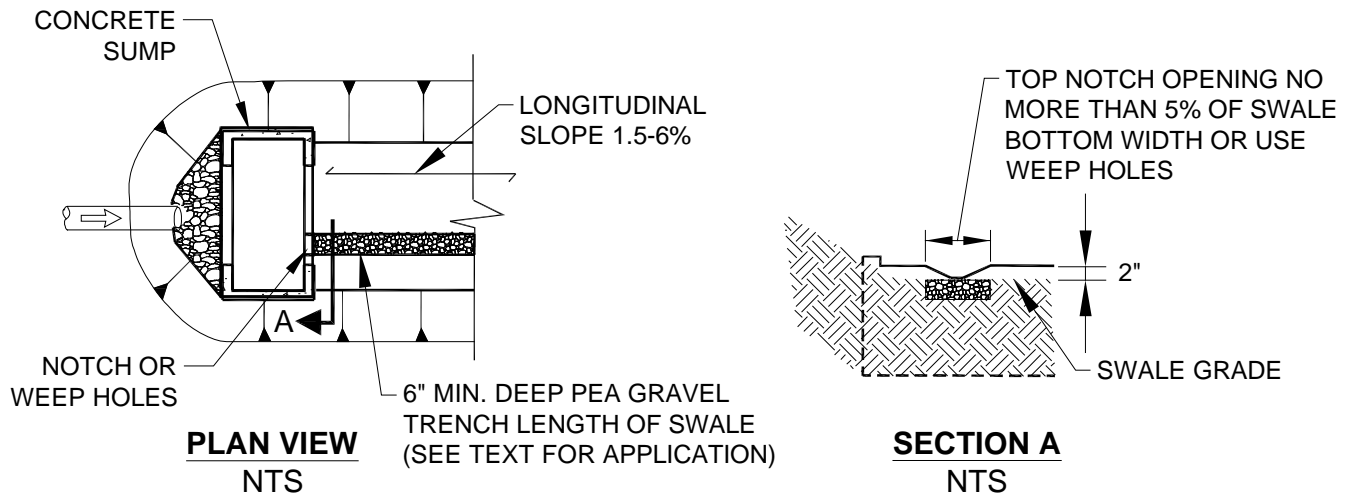
**FIGURE 6.3.1.C SCHEMATIC REPRESENTATION OF A BIOSWALE UNDERDRAIN**



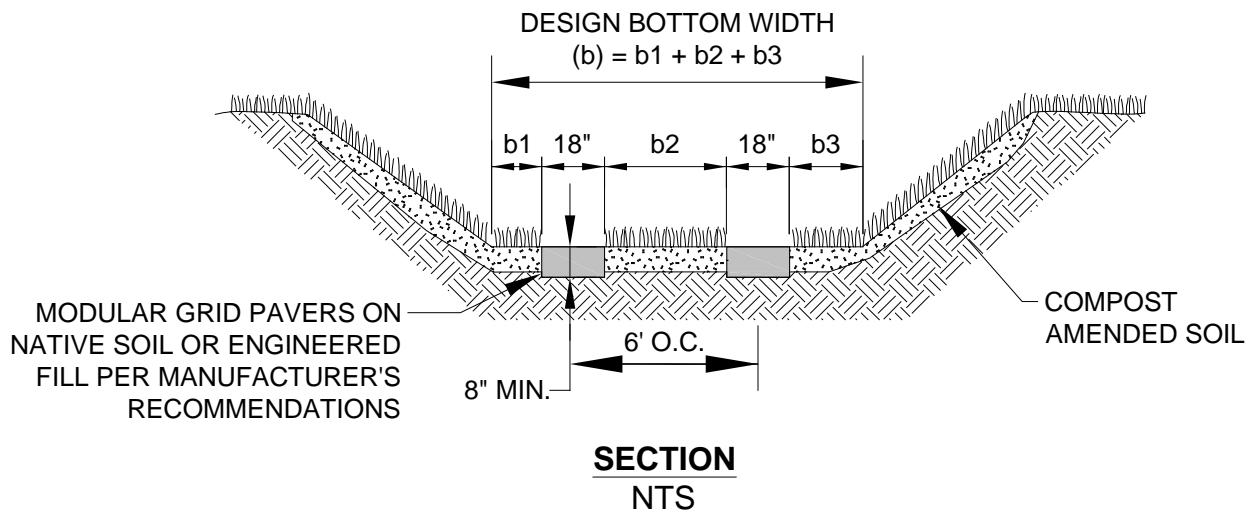
**SECTION**  
NTS

**NOTE:**  
UNDERDRAIN MUST INFILTRATE OR DRAIN FREELY TO AN ACCEPTABLE DISCHARGE POINT.

**FIGURE 6.3.1.D SCHEMATIC REPRESENTATION OF A BIOSWALE LOW-FLOW DRAIN**



**FIGURE 6.3.1.E SCHEMATIC REPRESENTATION OF BIOSWALE WHEEL STRIPS**





## 6.3.2 WET BIOSWALES

A *wet bioswale* is a variation of a basic bioswale for use where the longitudinal slope is slight, water tables are high, or continuous low base flow is likely to result in saturated soil conditions. Where saturation exceeds about 2 weeks, typical grasses will die. Thus, vegetation specifically adapted to saturated soil conditions is needed. Different vegetation in turn requires modification of several of the design parameters for the basic bioswale detailed in Section 6.3.1.

### Applications

Wet bioswales are applied where a basic bioswale is desired but not allowed or advisable because one or more of the following conditions exist:

- The swale is on till soils and is downstream of a detention facility providing *Flow Control Duration Standard* or *Flood Problem Flow Control Standard*.
- Saturated soil conditions are likely because of seeps or base flows on the *project site*.
- Longitudinal slopes are slight (generally less than 1.5 percent).

*Consult the water quality menus in Section 6.1 for information on how this facility may be used to meet Core Requirement #8.*

### 6.3.2.1 METHODS OF ANALYSIS

Wet bioswales use the **same methods of analysis as basic bioswales** (see Section 6.3.1.1) except the following **step is added**:

**Step 7: Adjust for extended wet season flow.** If the swale will be downstream of a detention facility providing *Flow Control Duration Standard* or *Flood Problem Flow Control Standard*, multiply the treatment area (bottom width times length) of the swale by 2, and readjust the swale length, if desired. Maintain a 5:1 length to width ratio (see criteria under “Swale Geometry” below).

**Intent:** An increase in the treatment area of swales following Flow Control Duration Standard or Flood Problem Flow Control detention facilities is required because of the differences in vegetation established in a constant flow environment. Although flows following Flow Control Duration Standard or Flood Problem Flow Control detention facilities are small, and swales are likewise much smaller than those sized for upstream flows, they are much more protracted. These protracted flows result in more stream-like conditions than are typical for other wet bioswale situations. Since vegetation growing in streams is often less dense, this increase in treatment area is needed to ensure that equivalent pollutant removal is achieved in extended flow situations.

### 6.3.2.2 DESIGN CRITERIA

#### Swale Geometry

Same as specified for **basic bioswales** (see Section 6.3.1.2) except for the following **modifications**:

1. **Criterion 1:** The **maximum bottom width** may be increased to 25 feet, but a length-to-width ratio of 5:1 must be provided. No longitudinal dividing berm is needed. *Note: The minimum swale length is still 100 feet.*
2. **Criterion 2:** If **longitudinal slopes** are greater than 2 percent, the wet swale must be stepped so that the slope within the stepped sections averages 2 percent. Steps may be made of retaining walls, log check dams, or short riprap sections. **No underdrain or low-flow drain is required.**
3. **Criterion 3:** **Curved swales** are allowed and the application of criteria for maintenance access road curves are not required.

### High-Flow Bypass

A high-flow bypass is required for flows greater than the water quality design flow to protect wetland vegetation from damage.<sup>27</sup> The bypass may be an open channel parallel to the wet bioswale.

### Water Depth and Base Flow

Same as for basic bioswales (see Section 6.3.1.2), except the **design water depth** shall be 4 inches or less for all wetland vegetation selections, and **no underdrains or low-flow drains are required**.

### Flow Velocity, Energy Dissipation, and Flow Spreading

Same as for basic bioswales (see Section 6.3.1.2), except **no flow spreader is needed**.

### Access

Same as for basic bioswales (see Section 6.3.1.2) except access is only required to the inflow and the outflow of the swale; access along the length of the swale is not required. Also, wheel strips may not be used for access in the swale.

**Intent:** An access road is not required along the length of a wet swale because of infrequent access needs. Frequent mowing or harvesting is not desirable. In addition, wetland plants are fairly resilient to sediment-induced changes in water depth, so the need for access should be infrequent.

### Soil Amendment

Same as for basic bioswales (see Section 6.3.1.2).

### Planting Requirements

Same as for **basic bioswales** (see Section 6.3.1.2) except for the following **modifications**:

1. A list of acceptable plants with recommended spacing is given in Table 6.3.2.A. In general, it is best to plant several species to increase the likelihood that at least some of the selected species will find growing conditions favorable.
2. A wetland seed mix may be applied by hydroseeding, but if coverage is poor, planting of rootstock or nursery stock is required. Poor coverage is considered to be more than 30 percent bare area through the upper  $\frac{2}{3}$  of the swale after four weeks.

### Recommended Design Features

Same as for basic bioswales (see Section 6.3.1.2).

### Construction Considerations

Same as for basic bioswales (see Section 6.3.1.2).

### Maintenance Considerations

Same as for basic bioswales (see Section 6.3.1.2), except mowing of wetland vegetation is not required. However, harvesting of very dense vegetation may be desirable in the fall after plant die-back to prevent the sloughing of excess organic material into receiving waters. Many native *Juncus* species remain green throughout the winter; therefore, fall harvesting of *Juncus* species is not recommended.

---

<sup>27</sup> Unlike grass, wetland vegetation will not quickly regain an upright attitude after being laid down by high flows. New growth, usually from the base of the plant, often taking several weeks, is required to regain its upright form.

TABLE 6.3.2.A RECOMMENDED PLANTS FOR WET BIOSWALE

Common Name	Scientific Name	Spacing (on center)
Shortawn foxtail	<i>Alopecurus aequalis</i>	seed
Spike rush	<i>Eleocharis</i> spp.	4 inches
Slough sedge*	<i>Carex obnupta</i>	6 inches or seed
Sawbeak sedge	<i>Carex stipata</i>	6 inches
Sedge	<i>Carex</i> spp.	6 inches
Western mannagrass	<i>Glyceria occidentalis</i>	seed
Slender rush	<i>Juncus tenuis</i>	6 inches
Watercress*	<i>Rorippa nasturtium-aquaticum</i>	12 inches
Water parsley*	<i>Oenanthe sarmentosa</i>	6 inches
Hardstem bulrush	<i>Scirpus acutus</i>	6 inches
Small-fruited bulrush	<i>Scirpus microcarpus</i>	12 inches

\* Good choices for swales with significant periods of flow, such as those downstream of a detention facility.  
*Note: Cattail (Typha latifolia) is not appropriate for most wet swales because of its very dense and clumping growth habit, which prevents water from filtering through the clump.*

### 6.3.3 LATERAL INFLOW BIOSWALES

In situations where water enters a bioswale along the side rather than discretely at the head, a different design approach – the lateral inflow bioswale – is needed. The basic swale design (see Section 6.3.1) is modified by increasing swale length to achieve an equivalent average residence time.

#### Applications

A lateral inflow bioswale is to be **used when inflows are not concentrated**, such as locations along the shoulder of a road without curbs. This design may also be **used where frequent, small point flows enter a swale**, such as through curb inlet ports spaced at intervals along a road, or from a parking lot with frequent curb cuts. In general, no inlet port should carry more than about 10 percent of the flow.

A lateral inflow swale is not appropriate for a situation in which significant lateral flows enter a swale at some point downstream from the head of the swale. In this situation, the swale width and length must be recalculated from the point of confluence to the discharge point in order to provide adequate treatment for the increased flows.

*Consult the water quality menus in Section 6.1 for information on how this facility may be used to meet Core Requirement #8.*

#### 6.3.3.1 METHODS OF ANALYSIS

The design flow for lateral inflow swales must include runoff from the pervious side slopes draining to the swale along the entire swale length.

The method of analysis for lateral inflow swales is the same as for basic bioswales (see Section 6.3.1.1) except for the following **clarification of Step 1** and **modification to Step 4**:

- **Step 1:** The WQ design flow may be variable to reflect the increase in flows along the swale length. If only a single design flow is used, the flow at the outlet shall be used.
- **Step 4:** Double the hydraulic residence time so that it is a minimum of 18 minutes (1,080 seconds). Equation 6-7 becomes:

$$L = 1080V_{wq} \quad (6-10)$$

where  $L$  = minimum allowable swale length (ft)  
 $V_{wq}$  = design flow velocity calculated in Step 3 (fps).

*Note: Although bottom widths may be increased to reduce length, bottom width cannot be reduced because Manning's depth-velocity-flow rate relationships would not be preserved.*

### 6.3.3.2 DESIGN CRITERIA

Same as specified for **basic bioswales** (in Section 6.3.1.2) except for the following **modification**:

**Planting Requirements, Criterion 4:** For lateral inflow bioswales, interior side slopes above the WQ design treatment elevation shall be planted in grass. A typical lawn seed mix or the bioswale seed mixes are acceptable. Landscape plants or groundcovers other than grass shall not be used anywhere between the runoff inflow elevation and the bottom of the swale.

**Intent:** The use of grass on interior side slopes reduces the chance of soil erosion and transfer of pollutants from landscape areas to the bioswale treatment area.

### 6.3.4 STANDARD FILTER STRIPS

A *filter strip* is a grassy slope located adjacent and parallel to an impervious area such as a parking lot, driveway, or roadway (see the detail in Figure 6.3.4.A). A filter strip is graded to maintain sheet flow of stormwater runoff over the entire width of the strip. Pollutants are removed primarily by means of sedimentation, which is enhanced as a consequence of the resistance that the grass blades present to flowing water. To a much lesser degree, pollutants may adhere or sorb to grass and thatch. Some dissolved pollutants may also be sorbed by the underlying soil when infiltration occurs, but the extent of infiltration depends on the type of soil, the density of the grass, and the slope of the strip. The primary pollutant removal mechanism is particle settling.

#### Applications and Limitations

Filter strip design is based on the expectation that water will flow fairly evenly across the entire width and length of the strip area. Thus, paved areas without underground stormwater collection systems, gutters, or other runoff control features are good candidates for filter strips.

Filter strips are suitable for areas that meet the following conditions:

- Stormwater runoff from the area requiring treatment shall be uniformly distributed along the top of the entire filter strip. If stormwater runoff from the entire area cannot be spread evenly along the top of the filter strip, the filter strip shall be applied only to flows that can be uniformly distributed. A different stormwater treatment facility, such as a swale, should be used for areas of the *project site* with concentrated flow (for instance, at road intersections).
- The flowpath draining to the filter strip shall not exceed 150 feet. Runoff flows traveling greater distances tend to concentrate before entering the filter strip.
- The lateral slope of the drainage area contributing flows to the filter strip (parallel to the edge of pavement) shall be less than 2 percent. A stepped series of flow spreaders installed at the head of the strip could compensate for slightly steeper slopes (see “Flow Spreading and Energy Dissipation”).
- The longitudinal slope of the contributing drainage area (parallel to the direction of flow entering the filter strip) should be less than 5 percent. Contributing drainage areas with slopes steeper than 5 percent shall either use a different WQ facility or must provide energy dissipation and flow spreading mechanisms upslope of the upper edge of the filter strip.

A filter strip generally requires more land area than a bioswale because the flow depth through the filter is shallower than through a swale. Although the space requirements may be greater, the filter strip is a viable water quality treatment option in locations where grassy slopes already exist, or where a slope can be incorporated easily into the landscape design for the *project site*. Other limitations that shall be considered are listed below:

1. Filter strips are susceptible to short-circuiting via flow channelization because they rely on a large smoothly graded area. If rills, gullies, or channels occur in the filter strip area, inflows will travel too quickly through the filter strip, reducing contact time and pollutant removal performance. A filter strip slope with uneven grading perpendicular to the sheet flow path will develop flow channels over time. These problems can be overcome with careful *site* planning, good soil compaction, skillful grading, and periodic maintenance.

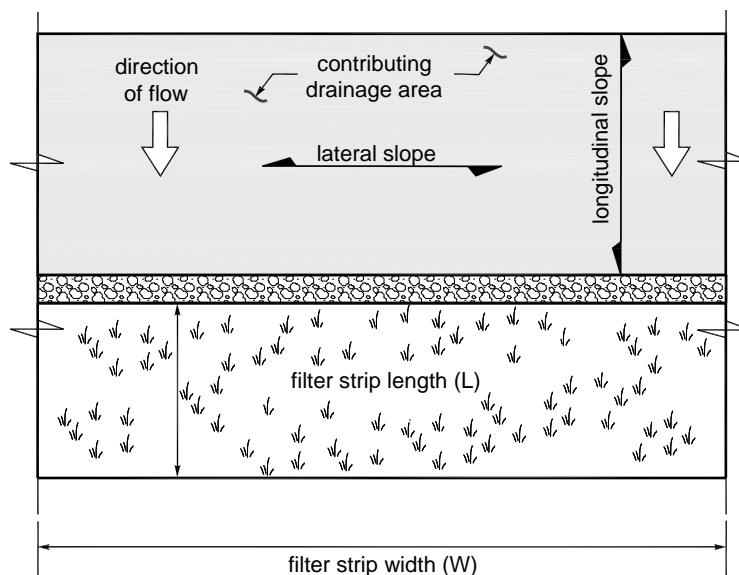
2. Filter strip areas shall not be used for material storage or any activities that could cause disturbance of the ground surface in a manner that could create or promote preferential flowpaths (rills or channels) in the filter strip.
3. Filter strips shall not be located in shaded areas, for filter strips require exposure to sunlight to ensure healthy grass growth.

Consult the water quality menus in Section 6.1 for information on how this facility may be used to meet Core Requirement #8.

### 6.3.4.1 METHODS OF ANALYSIS

In this manual, *filter strip length* is defined as the length of the flowpath through the strip. Strip width is typically the same as the extent of pavement along the upstream edge of the strip. Thus, in sizing filter strips, the length is normally the dimension to be sized (see Figure 6.3.4.A).

**FIGURE 6.3.4.A FILTER STRIP TERMINOLOGY**



The procedure for filter strip design (described below) relies on Manning's equation to calculate some design variables. It is recognized that there are problems in this application.<sup>28</sup> The filter strip sizing method will be modified as new research results become available.

Filter strips sized and built using the method of analysis outlined below and the required design criteria presented in Section 6.3.4.2 are expected to meet the Basic Water Quality menu goal of 80% TSS removal.

**Step 1: Calculate design flow.** Determine the **on-line** water quality design flow  $Q_{wq}$  (see Section 6.2.1) using the hydrologic analysis procedures described in Chapter 3 and applying the modification described in Table 6.2.1.A.

**Step 2: Calculate design flow depth.** The design flow depth is calculated based on the width of the filter strip (typically equivalent to the length of the edge of impervious surface contributing flow to the filter strip) and the longitudinal slope of the filter strip (parallel to the direction of flow) using a form of Manning's equation as follows:

<sup>28</sup> Ree, W.O., F.L. Wimberley, and F.R. Crow. 1977. Manning  $n$  and the overland flow equation. Transactions of the American Society of Agricultural Engineers 20 (89).

$$Q_{wq} = \frac{1.49}{n_{wq}} W d_f^{1.67} s^{0.5} \quad (6-11)$$

- where
- $Q_{wq}$  = water quality design flow,  $k(Q)$ , modeled on-line rate), (cfs)  
where  $k$  = correlation ratio determined from Table 6.2.1.A
  - $n_{wq}$  = Manning's roughness coefficient (either 0.35 or 0.45; see the criteria under "Filter Strip Geometry and Flow Resistance")
  - $W$  = width of filter strip perpendicular to the direction of flow (ft) ( $\cong$  length of impervious surface contributing flow)
  - $d_f$  = design depth of flow (ft), which is also assumed to be the hydraulic radius (maximum 1 inch, or 0.083 feet; see the criteria under "Water Depth and Velocity")
  - $s$  = longitudinal slope of filter strip parallel to the direction of flow (ft/ft) (averaged over the width of the filter strip; all portions averaged must also meet the slope design criteria).

Rearranging the above equation, the design depth of flow can be calculated using the following equation:

$$d_f = \left( \frac{Q_{wq} n_{wq}}{1.49 W s^{0.5}} \right)^{0.6} \quad (6-12)$$

If the calculated flow depth exceeds 1 inch (0.083 feet), the design flow rate routed through the strip must be reduced. If this is not feasible, it is not possible to use a filter strip.

**Step 3: Calculate design flow velocity through filter strip.** The design flow velocity  $V_{wq}$  is based on the water quality design flow rate, the width of the filter strip, and the calculated design flow depth from Step 2 using the following equation:

$$V_{wq} = \frac{Q_{wq}}{W d_f} \quad (6-13)$$

- where
- $V_{wq}$  = design flow velocity (fps)
  - $W$  = strip width (ft) (parallel to the edge of pavement)
  - $d_f$  = water depth (ft).

If  $V_{wq}$  exceeds 0.5 feet per second, a filter strip shall not be used. Either redesign the area to provide a gentler longitudinal slope for the strip, or select a different WQ facility.

**Step 4: Calculate required length of filter strip.** Determine the required length  $L$  of the filter strip to achieve a desired hydraulic residence time of at least 9 minutes (540 seconds) using the following equation:

$$L = 540 V_{wq} \quad (6-14)$$

- where
- $L$  = filter strip length (ft)
  - $V_{wq}$  = design flow velocity from Step 3 (fps)

### 6.3.4.2 DESIGN CRITERIA

Figure 6.3.4.B shows typical filter strip details. The most effective filter strips achieve uniform sheet flow under all runoff flow conditions. To achieve proper flow conditions, the following basic design requirements apply.

#### Drainage Area Restrictions

1. The **longest flowpath** from the area contributing sheet flow to the filter strip shall not exceed 150 feet.
2. The **lateral slope of the contributing drainage** (parallel to the edge of pavement) shall be 2 percent or less.
3. A stepped series of **flow spreaders** installed at the head of the strip may be used to compensate for drainage areas having lateral slopes of up to 4 percent (see Section 6.2.6 for information on flow spreader designs).
4. The **longitudinal slope of the contributing drainage area** (parallel to the direction of flow entering the filter strip) should be 5 percent or less.
5. Contributing drainage areas with longitudinal slopes steeper than 5 percent shall either use a different WQ facility or provide energy dissipation and flow spreading options upslope of the upper edge of the filter strip to achieve flow characteristics equivalent to those meeting the criteria in items 2 and 4 above.

#### Filter Strip Geometry and Flow Resistance

1. The **longitudinal slope** of a filter strip (along the direction of flow) shall be between 1 percent minimum and 15 percent maximum.
2. The **lateral slope** of a strip (parallel to the edge of pavement, perpendicular to the direction of flow) shall be less than 2 percent.
3. The **ground surface** at the upper edge of a filter strip (adjacent to the contributing drainage area) shall be at least 1 inch lower than the edge of the impervious area contributing flows.
4. Manning's **roughness coefficient** ( $n_{wq}$ ) for flow depth calculations shall be 0.35. An exception to this requirement may be made for situations where the filter strip will be mowed weekly in the growing season to consistently provide a grass height of less than 4 inches; in this case, the value of  $n_{wq}$  in Equation 6-12 may be set to 0.45.

*Note: In filter strip design, a larger  $n$  value results in a smaller strip size.*

#### Water Depth and Velocity

1. The **maximum depth** of flow through a filter strip for the WQ design flow shall be 1.0 inch.
2. The **maximum allowable flow velocity** for the water quality design flow  $V_{wq}$  shall be 0.5 feet per second.

#### Flow Spreading and Energy Dissipation

1. Runoff entering a filter strip must not be concentrated. A **flow spreader** shall be installed at the edge of the pavement to uniformly distribute the flow along the entire width of the filter strip.
2. At a minimum, a **gravel flow spreader** (gravel-filled trench) shall be placed between the impervious area contributing flows and the filter strip, and meet the following requirements:
  - a) The gravel flow spreader shall be a minimum of 6 inches deep and shall be 18 inches wide for every 50 feet of contributing flowpath.
  - b) The gravel shall be a minimum of 1 inch below the pavement surface.
  - c) **Intent:** This allows sediment from the paved surface to be accommodated without blocking drainage onto the strip.

- d) For contributing flowpaths less than 50 feet, the spreader width may be reduced to a minimum of 12 inches.
  - e) Where the ground surface is not level, the gravel spreader must be installed so that the bottom of the gravel trench and the outlet lip are level.
  - f) Along **roadways**, gravel flow spreaders must meet the specification for shoulder ballast given in Section 9-03.9(2) of the current WSDOT/APWA *Standard Specifications for Road, Bridge and Municipal Construction*. The ballast shall be compacted to 90 percent standard proctor.
 

**Intent:** This specification was chosen to meet traffic safety concerns as well as to limit fines to less than 2 percent passing the No. 100 sieve.
3. Other flow spreaders (see Section 6.2.6) may also be used. For filter strip applications, the notched curb spreader and through-curb port spreaders shall not be used without also adding a gravel spreader to better ensure that water sheet-flows onto the strip.
  4. **Energy dissipaters** are needed in a filter strip if sudden slope drops occur, such as locations where flows in a filter strip pass over a rockery or retaining wall aligned perpendicular to the direction of flow. Adequate energy dissipation at the base of a drop section can be provided by a riprap pad (see Chapter 4, Table 4.2.2.A, for guidance).

### Access

Access shall be provided at the **upper edge of a filter strip** to enable maintenance of the inflow spreader throughout the strip width and allow access for mowing equipment.

### Soil Quality

1. Native topsoil six inches deep with no less than 1% organic matter (OM) does not require soil amendment, except where grading has occurred and topsoil meeting that OM standard has not been replaced.
2. Where topsoil has been removed or if native soil OM is less than 1%, Two inches (minimum) of **well-rotted compost** shall be provided for the entire filter strip treatment area to amend the topsoil. The compost must be tilled into the underlying native soil to a depth of 6 inches to prevent washing out the compost and avoid creating a defined layer of different soil types that can prevent downward percolation of water. Compost shall meet Specification 1 described in Reference Section 11-C.
3. **Soil or sod** with a **clay content** of greater than 10 percent should be avoided. If there is potential for contamination of the underlying groundwater, the filter strip shall be lined with a treatment liner to prevent groundwater contamination. See Section 6.2.4, for details on soil liner options.

### Planting Requirements

1. **Grass** shall be established throughout the entire treatment area of the filter strip.
2. **Sod** may be used instead of grass seed as long as the entire filter strip area is completely covered with no gaps between sod pieces.
3. **Filter strips** are subject to drier conditions than bioswales and also may be more vulnerable to erosion than swales. For these reasons, the following permanent **erosion-control grass seed mix** shall be applied at a rate of 39 pounds per acre in filter strips (percentages are by weight):
  - a) 6 percent spiked bentgrass (*Agrostis exarata*)
  - b) 15 percent California brome (*Bromus carinatus*)
  - c) 15 percent tufted hairgrass (*Deschampsia cespitosa*)
  - d) 18 percent blue wildrye (*Elymus glaucus*)
  - e) 18 percent California oatgrass (*Danthonia californica*)
  - f) 18 percent red fescue (*Festuca rubra* var. *rubra*)
  - g) 10 percent Meadow barley (*Hordeum brachyantherum*)



4. **Alternate seed mixes** may be used if a horticultural or erosion-control specialist recommends a different mix and if erosion prevention is adequately addressed by other erosion-control measures.
5. Seed may be applied by **hydroseeding or broadcast application**.
6. **Seeding** is best performed in fall (late September to October) or in spring (mid-March to June). For summer seeding or seeding during dry conditions, sprinkler systems or other measures for watering the seed must be provided. Soil temperatures should be between 50 and 65 degrees to allow for seed germination of cool season grasses.
7. Runoff shall be diverted around a filter strip until the grass is established, or an **erosion control blanket** shall be placed over the freshly applied seed mix. See *ESC Standards* (Appendix D) for information on erosion control blankets.

### Recommended Design Features

Where conditions allow, the following features should be incorporated into a filter strip's design and its corresponding site configuration.

#### Site Layout and Landscaping

1. Filter strips should be incorporated into the **landscape design** of the *site*; however, the treatment areas (i.e., grassy areas) should not be fertilized unless needed for healthy grass growth.
2. **Curbs** should be avoided, if possible, at the downslope edge of the contributing area. If curbing is needed, through-curb ports shall be provided (see Section 6.2.6).
3. If **parking lot wheel stops** are necessary, individual wheel stops should have gaps for water to pass through. The shorter the wheel stops, the better for sheet flow purposes. See Section 6.2.6 for requirements.
4. During seeding, slow-release **fertilizers** may be applied to speed the growth of grass. If the filter strip is located in a sensitive lake watershed, low phosphorus fertilizers (such as formulations in the proportion 3:1:3 N-P-K or less) or slow-release phosphorus formulations should be used, and at no more than the minimum necessary agronomic rate. Regardless of location, the fertilizer must meet the requirements of Chapter 15.54 RCW limiting the use of fertilizer containing phosphorus.
5. Filter strips should be well defined on a *site* and **marked with signs** to prevent future destruction or alteration of the treatment areas. Small at-grade signage is preferred.

#### Maintenance Features

1. **Irrigation** may be required in the summer months following initial filter strip construction to prevent the filter strip grass from wilting or dying. *Site* planning should address the need for sprinklers or other means of irrigation.
2. **Flatter slopes** are preferred for filter strips to make grass mowing easier.

#### Use with Oil Control Facilities

A project providing **oil control** (see the high-use definition in Chapter 1) may employ a filter strip for runoff treatment if a **linear sand filter** (see Section 6.5.4) is used for oil control preceding the filter strip. In this situation, the sand filter should be designed so that flows exit the underdrain gravel along the whole length of the trench directly to the filter strip.

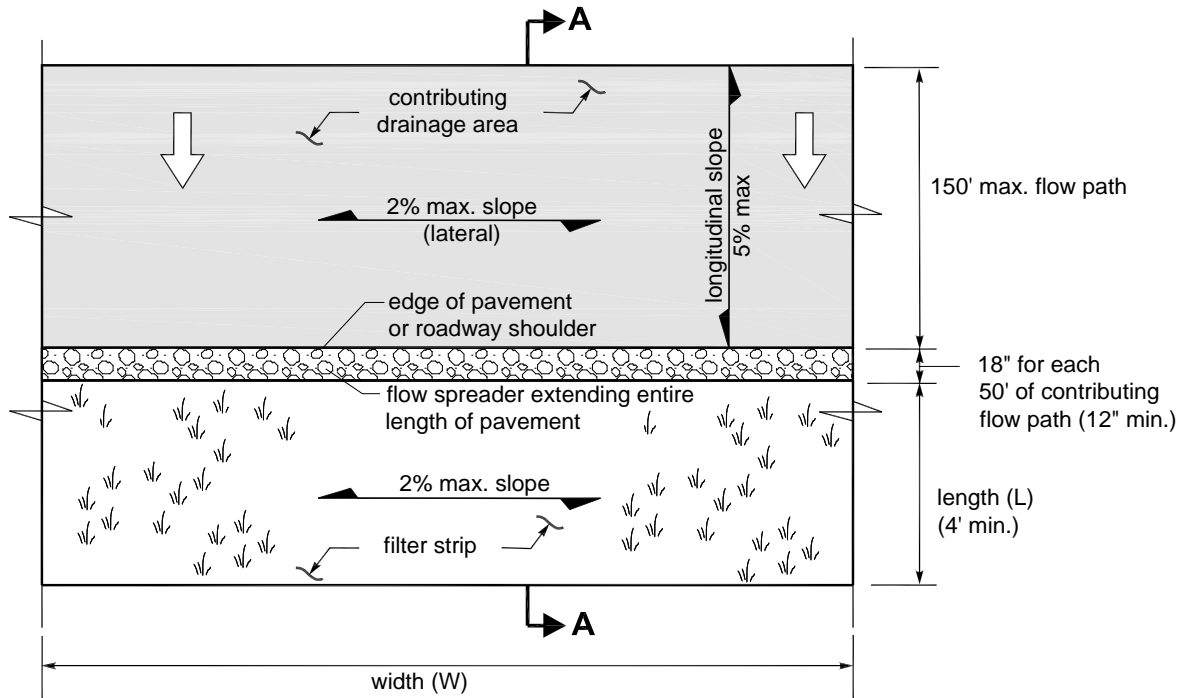
#### Construction Considerations

1. If a filter strip is put into operation before all construction in the contributing drainage catchment has been completed, the strip must be cleaned of sediment and reseeded prior to acceptance by the City. The City will not release financial guarantees if the filter strip is not restored and vigorous grass growth re-established.
2. It is preferable to provide erosion control before construction-phase sediment enters the filter strip. Filter strips are designed to handle only modest sediment loads without frequent maintenance.

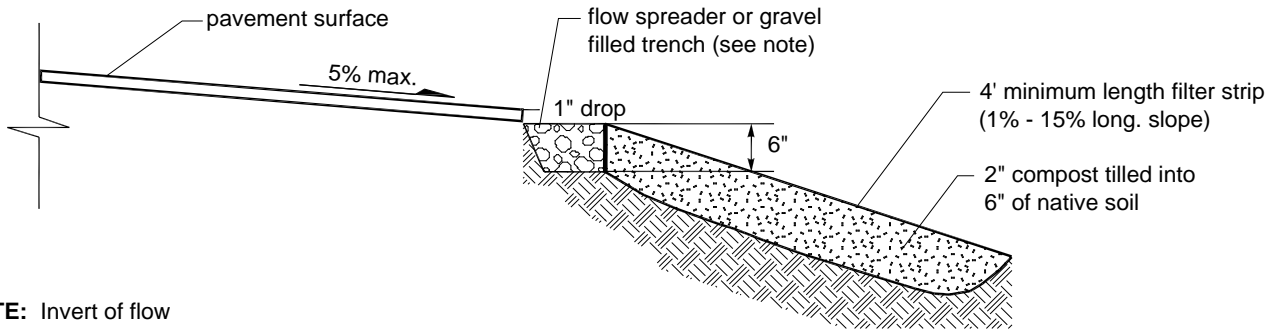
### **Maintenance Considerations**

Maintenance considerations, including mowing frequency and sediment removal, are similar to those for bioswales (see Section 6.3.1.2).

**FIGURE 6.3.4.B SCHEMATIC REPRESENTATION OF A TYPICAL FILTER STRIP**



**PLAN VIEW  
NTS**



**NOTE:** Invert of flow spreader must be level. Roadway shoulders must use shoulder ballast.

**SECTION A-A  
NTS**

### **6.3.5 NARROW AREA FILTER STRIPS**

This BMP is not allowed in the City for Basic WQ. Designers should refer to the Standard Filter Strip.<sup>29</sup><sup>30</sup>

---

<sup>29</sup> Footnote 29 does not apply.

<sup>30</sup> Footnote 30 does not apply.

## 6.4 WETPOOL FACILITY DESIGNS

This section presents the methods, criteria, and details for analysis and design of wetponds, wetvaults, and stormwater wetlands. These facilities have as a common element a permanent pool of water, the *wetpool*. Each of the wetpool facilities may be combined with a detention or flow control pond in a combined facility. Included are the following specific facility designs:

- “Wetponds — Basic and Large,” Section 6.4.1
- “Wetvaults,” Section 6.4.2
- “Stormwater Wetlands,” Section 6.4.3
- “Combined Detention and Wetpool Facilities,” Section 6.4.4.

The information presented for each facility is organized into the following two categories:

1. **Methods of Analysis:** Contains a step-by-step procedure for designing and sizing each facility.
2. **Design Criteria:** Contains the details, specifications, and material requirements for each facility.

### 6.4.1 WETPONDS — BASIC AND LARGE

A *wetpond* is a constructed stormwater pond that retains a permanent pool of water (a “wetpool”) at least during the wet season (see the schematic representation in Figure 6.4.1.A and Figure 6.4.1.B). The volume of the wetpool is related to the effectiveness of the pond in settling particulate pollutants. The following design procedures, requirements, and recommendations cover two wetpond applications, the basic wetpond and the large wetpond. The two sizes are designed for two different levels of pollutant removal.

#### Applications and Limitations

A wetpond requires a larger area than a bioswale or a sand filter, but it can be integrated to the contours of a *site* fairly easily. In till soils, the wetpond holds a permanent pool of water that provides an attractive aesthetic feature. In more porous soils, wetponds may still be used, but water seepage from unlined cells could result in a dry pond, particularly in the summer months. Lining with impervious material is one way to deal with this situation.

Wetponds may be single-purpose facilities, providing only water quality treatment, or they may be combined with a detention pond to also provide flow control. If combined, the wetpond can often be stacked under the detention pond with little further loss of development area. See Section 6.4.4 for a description of combined WQ and detention facilities.

Wetponds treat water primarily by gravity settling and to some degree by biological uptake by algae and transformation and degradation by microorganisms. Wetponds can remove some dissolved pollutants such as soluble phosphorus (phosphate) by uptake, and phosphate may react and combine with cations in solution, forming solid particulates. Wetponds are therefore used in the Sensitive Lake Protection menu for phosphorus control in addition to the Basic WQ menu for solids removal. Wetponds work best when the water already in the pond is moved out *en masse* by incoming flows, a phenomena called *plug flow*. Because treatment works on this displacement principle, the dead storage pool of wetponds may be provided below the groundwater level without interfering unduly with treatment effectiveness. However, if combined with a detention function, the live storage must be above the seasonal high groundwater level.

*Consult the water quality menus in Section 6.1 for information on how basic and large wetponds may be used to meet Core Requirement #8.*

### 6.4.1.1 METHODS OF ANALYSIS

This section describes methods of analysis for the following two wetpond sizes:

- **Basic wetpond**
- **Large wetpond.**

#### □ BASIC WETPOND

The primary design factor that determines a wetpond's **particulate removal efficiency** is the volume of the wetpool in relation to the volume of stormwater runoff. The larger the wetpond volume in relation to the volume of runoff, the greater the potential for pollutant removal. Also important are the avoidance of short-circuiting and the promotion of plug flow. *Plug flow* describes the hypothetical condition of stormwater moving through the pond as a unit, displacing the "old" water in the pond with incoming flows. To prevent short-circuiting, water is forced to flow, to the extent practical, to all potentially available flow routes, avoiding "dead zones," and maximizing the time water stays in the pond during the active part of a storm.

Design features that encourage plug flow and avoid dead zones are as follows:

- Dissipating energy at the inlet
- Providing a large length-to-width ratio
- Providing a broad surface for water exchange across cells rather than a constricted area.

Maximizing the flowpath between inlet and outlet, including the vertical path, also enhances treatment by increasing residence time.

The basic wetpond volume is equal to the 91% water quality treatment volume (see Section 6.2.1), calculated with the approved model or by using the Natural Resources Conservation Service (NRCS, formerly Soil Conservation Service [SCS]) curve number method described in [Urban Hydrology for Small Watersheds, Technical Release 55 \(TR-55\), June 1986](#), published by the NRCS. Wetponds designed with the basic wetpond volume using the method below, and the required design criteria in Section 6.4.1.2 are expected to meet the Basic WQ menu goal of 80% TSS removal. The actual performance of a wetpond may vary, however, due to a number of factors, including but not limited to design features, maintenance frequency, storm characteristics, pond algae dynamics, and waterfowl use.

Procedures for determining a wetpond's dimensions and volume are outlined below.

**Step 1: Identify the required wetpool volume.** A basic wetpond requires a volume equal to the 91% treatment volume, calculated with the approved model or by using the NRCS curve number method. When using the water quality treatment volume reported by the approved model, skip Steps 2 through 4.

**Step 2: Determine the weighted NRCS curve number for the developed tributary area.**

Table 6.4.1.1.A shows the CNs, by land use description, for the four hydrologic soil groups. These numbers are for a 24-hour duration storm and typical antecedent soil moisture condition preceding 24-hour storms.

**TABLE 6.4.1.1.A RUNOFF CURVE NUMBERS FOR SELECTED AGRICULTURAL, SUBURBAN, AND URBAN AREAS**

(Sources: TR 55, 1986, and Stormwater Management Manual (SWMMWW), 1992.  
See SWMMWW Section 2.1.1 for explanation)

COVER TYPE AND HYDROLOGIC CONDITION	CNs for Hydrologic Soil Group			
	A	B	C	D
<b>CURVE NUMBERS FOR PRE-DEVELOPMENT CONDITIONS</b>				
<b>Pasture, grassland, or range-continuous forage for grazing:</b>				
Fair condition (ground cover 50% to 75% and not heavily grazed)	49	69	79	84
Good condition (ground cover >75% and lightly or only occasionally grazed)	39	61	74	80
<b>Woods:</b>				
Fair (woods are grazed but not burned, and some forest litter covers the soil)	36	60	73	79
Good (woods are protected from grazing, and litter and brush adequately cover the soil)	30	55	70	77
<b>CURVE NUMBERS FOR POST-DEVELOPMENT CONDITIONS</b>				
<b>Open Space (lawns, parks, golf courses, cemeteries, landscaping, etc.)<sup>1</sup></b>				
Fair condition (grass cover on 50%–75% of the area)	77	85	90	92
Good condition (grass cover on >75% of the area)	68	80	86	90
<b>Impervious Areas</b>				
Open water bodies: lakes, wetlands, ponds etc.	100	100	100	100
Paved parking lots, roofs, <sup>2</sup> driveways, etc. (excluding right-of-way)	98	98	98	98
<b>Permeable Pavement (see SWDM 5.2.2 and Appendix C to decide which condition to use)</b>				
Landscaped area	77	85	90	92
50% landscaped area/50% impervious	87	91	94	96
100% impervious area	98	98	98	98
<b>Paved</b>	98	98	98	98
<b>Gravel (including right-of-way)</b>	76	85	89	91
<b>Dirt (including right-of-way)</b>	72	82	87	89
<b>Pasture, Grassland, or Range-Continuous Forage for Grazing</b>				
Poor condition (ground cover <50% or heavily grazed with no mulch)	68	79	86	89
Fair condition (ground cover 50% to 75% and not heavily grazed)	49	69	79	84
Good condition (ground cover >75% and lightly or only occasionally grazed)	39	61	74	80
<b>Woods:</b>				
Poor (Forest litter, small trees, and brush are destroyed by heavy grazing or regular burning)	45	66	77	83
Fair (woods are grazed but not burned, and some forest litter covers the soil)	36	60	73	79
Good (woods are protected from grazing, and litter and brush adequately cover the soil)	30	55	70	77

<b>TABLE 6.4.1.1.A RUNOFF CURVE NUMBERS FOR SELECTED AGRICULTURAL, SUBURBAN, AND URBAN AREAS</b>		
<b>Single Family Residential:<sup>3</sup></b>		Average Percent impervious area <sup>3,4</sup>
Dwelling Unit/Gross Acre	Should only be used for subdivisions > 50 acres	
1.0 DU/GA		15
1.5 DU/GA		20
2.0 DU/GA		25
2.5 DU/GA		30
3.0 DU/GA		34
3.5 DU/GA		38
4.0 DU/GA		42
4.5 DU/GA		46
5.0 DU/GA		48
5.5 DU/GA		50
6.0 DU/GA		52
6.5 DU/GA		54
7.0 DU/GA		56
7.5 DU/GA		58
<b>PUDs, condos, apartments, commercial businesses, industrial areas, and subdivisions &lt; 50 acres</b>	% impervious must be computed <sup>5</sup>	Separate curve numbers shall be selected for pervious and impervious portions of the site
<i>For a more detailed and complete description of land use curve numbers refer to Chapter 2, NRCS &lt;<a href="#">Technical Release No. 55 (June 1986)</a>&gt;.</i>		
<sup>1</sup> Composite CNs may be computed for other combinations of open space cover type. <sup>2</sup> Where roof runoff and driveway runoff are infiltrated or dispersed according to the requirements in Chapter 5 and Appendix C, the average percent impervious area may be adjusted in accordance with the procedure described under Section 5.2.2. <sup>3</sup> Assumes roof and driveway runoff is directed into street/storm system. <sup>4</sup> All the remaining pervious areas (lawn) are considered to be in good condition for these curve numbers. <sup>5</sup> See Section 5.2 and Table 3.2.2.E for application of effective impervious area in percentage calculation.		

The following are important criteria/considerations for selection of CN values:

Many factors may affect the CN value for a given land use. For example, the movement of heavy equipment over bare ground may compact the soil so that it has a lesser infiltration rate and greater runoff potential than would be indicated by strict application of the CN value to developed site conditions.

CN values can be area weighted when they apply to pervious areas of similar CNs (within 20 CN points). However, high CN areas should not be combined with low CN areas. In this case, separate estimates of S (potential maximum natural detention) and  $Q_d$  (runoff depth) should be generated and summed to obtain the cumulative runoff volume unless the low CN areas are less than 15 percent of the subbasin.

Separate CN values must be selected for the pervious and impervious areas of an urban basin or subbasin. For residential districts, for subdivisions larger than 50 acres, the percent impervious area given in Table 6.4.1.1.A must be used to compute the respective pervious and impervious areas; for subdivisions of 50 acres or less, the percentage must be computed. For proposed commercial areas, planned unit developments, etc., the percent impervious area must be computed from the site plan. For all other land uses the percent impervious area must be estimated from best available aerial topography and/or field



reconnaissance. The pervious area CN value must be a weighted average of all the pervious area CNs within the subbasin. The impervious area CN value shall be 98.

Cover categories are based on existing U.S. Department of Agriculture soil survey data or *site*-specific data where available.

Example: The following is an example of how CN values are selected for a sample project.

Select CNs for the following development:

- Existing Land Use – forest (undisturbed)
- Future Land Use – residential plat (3.6 DU/GA)
- Basin Size – 60 acres
- Soil Type – 80 percent Alderwood, 20 percent Ragnor

Table 3.2.2.B shows that Alderwood soil belongs to the “C” hydrologic soil group and Ragnor soil belongs to the “B” group. Therefore, for the existing condition, CNs of 70 and 55 are read from Table 6.4.1.1.A and areal weighted to obtain a CN value of 67. For the developed condition with 3.6 DU/GA the percent impervious of 39 percent is interpolated from Table 6.4.1.1.A and used to compute pervious and impervious areas of 36.6 acres and 23.4 acres, respectively. The 36.6 acres of pervious area is assumed to be in Fair condition (for a conservative design) with residential yards and lawns covering the same proportions of Alderwood and Ragnor soil (80 percent and 20 percent respectively). Therefore, CNs of 90 and 85 are read from Table 6.4.1.1.A and areal weighted to obtain a pervious area CN value of 89. The impervious area CN value is 98. The result of this example is summarized below:

<u>Onsite Condition</u>	<u>Existing/Developed</u>	
Land use	Forest	Residential
Pervious area	60 ac.	36.6 ac.
CN of pervious area	67	89
Impervious area	0 ac.	23.4 ac.
CN of impervious area	–	98

**Step 3: Calculate runoff depth for the developed tributary area.** The rainfall-runoff equations of the NRCS curve number method relate a land area’s runoff depth (precipitation excess) to the precipitation it receives and to its natural storage capacity, as follows:

$$Q_d = (P - 0.2S)^2 / (P + 0.8S) \quad \text{for } P \geq 0.2S \quad (6-15)$$

$$Q_d = 0 \quad \text{for } P < 0.2S \quad (6-16)$$

Where:

- Q<sub>d</sub> = runoff depth in inches over the area,
- P = precipitation depth in inches over the area, and
- S = potential maximum natural detention, in inches over the area, due to infiltration, storage, etc.

The area’s potential maximum detention, S, is related to its curve number, CN:

$$S = (1000 / CN) - 10 \quad (6-17)$$

The combination of the above equations allows for estimation of the total runoff volume by computing total runoff depth, Q<sub>d</sub>, given the total precipitation depth, P. For example, if the curve number of the area

is 70, then the value of  $S$  is 4.29. With a total precipitation for the design event of 2.0 inches, the total runoff depth would be:

$$Q_d = [2.0 - 0.2 (4.29)]^2 / [2.0 + 0.8 (4.29)] = 0.24 \text{ inches}$$

This computed runoff represents inches over the tributary area.

**Step 4: Calculate the design wetpool volume.** The total volume of runoff is found by multiplying  $Q_d$  by the area (with necessary conversions):

$$\begin{array}{rcccc} \text{Total runoff volume} & = & 3,630 \times Q_d \times A & & \\ \text{(cu. ft.)} & & \text{(cu. ft./ac. in.)} & \text{(in)} & \text{(ac)} \end{array}$$

If the area is 10 acres, the total runoff volume is:

$$3,630 \text{ cu. ft./ac. in.} \times 0.24 \text{ in.} \times 10 \text{ ac.} = 8,712 \text{ cu. ft.}$$

This is the design volume for treatment facilities for which the design criterion is based on the volume of runoff.

**Step 5: Determine wetpool dimensions.** Determine the wetpool dimensions satisfying the design criteria outlined below. A simple way to check the volume of each wetpool cell is to use the following equation:

$$V_b = \frac{h(A_1 + A_2)}{2} \quad (6-18)$$

where  $V_b$  = wetpool volume (cf) (from Step 4 or as determined from the approved model)  
 $h$  = wetpool depth (ft)  
 $A_1$  = water quality design surface area of wetpool (sf)  
 $A_2$  = bottom area of wetpool (sf)

**Step 6: Design pond outlet pipe and determine primary overflow water surface.** The design criteria for wetponds (see Section 6.4.1.2) calls for a pond outlet pipe to be placed on a reverse grade from the pond's wetpool to the outlet structure. Use the following procedure to design the pond outlet pipe and determine the primary overflow water surface elevation:

1. Use the nomographs in Section 4.3 (Figures 4.3.1.B and 4.3.1.C) to select a trial size for the pond outlet pipe sufficient to pass the WQ design flow  $Q_{wq}$ .
2. Use Figure 4.3.1.F to determine the critical depth  $d_c$  at the outflow end of the pipe for  $Q_{wq}$ .
3. Use Figure 4.2.1.G to determine the flow area  $A_c$  at critical depth.
4. Calculate the flow velocity at critical depth using continuity equation ( $V_c = Q_{wq} / A_c$ ).
5. Calculate the velocity head  $V_H$  ( $V_H = V_c^2 / 2g$ ), where  $g$  is the gravitational constant, 32.2 feet per second).
6. Determine the primary overflow water surface elevation by adding the velocity head and critical depth to the invert elevation at the outflow end of the pond outlet pipe (i.e., overflow water surface elevation = outflow invert +  $d_c + V_H$ ).
7. Adjust outlet pipe diameter as needed and repeat Steps (a) through (e).

## □ LARGE WETPOND

Large wetponds are expected to meet the Sensitive Lake Protection menu goal of 50% total phosphorus removal. The actual performance of a wetpond may vary, however, due to a number of factors.

The methods of analysis presented above for basic wetponds apply to large wetponds, except that **a large wetpond requires an increased volume of 1.5 times the volume reported by the approved model, or calculated per the NRCS hand method.**

### 6.4.1.2 DESIGN CRITERIA

This section sets forth design criteria for the following:

- **Basic wetpond**
- **Large wetpond**

General wetpond design criteria and concepts are shown in Figure 6.4.1.A.

#### □ BASIC WETPOND

##### Wetpool Geometry

1. The wetpool shall be divided into **two cells** separated by a baffle or berm.<sup>31</sup> The first cell shall contain between 25 to 35 percent of the total wetpool volume. The baffle or berm volume shall not count as part of the total wetpool volume.

**Intent:** The full-length berm or baffle promotes plug flow and enhances quiescence and laminar flow through as much of the entire water volume as possible. Use of a pipe and full-width manifold system to introduce water into the second cell is possible on a case-by-case basis if approved by CED.

2. Wetponds with wetpool volumes less than or equal to 4,000 cubic feet may be **single celled** (i.e., no baffle or berm is required).
3. Both cells of a two-cell wetpond and the single cell of a one cell wetpond must retain a permanent pool of water throughout the wet season. A wetpond is considered non-compliant if the pond level drops more than 12" in any 7-day measurement period. A **low permeability liner** per Section 6.2.4 will be required to achieve this standard in infiltrative soils.
4. **Sediment storage** shall be provided in the first cell. The sediment storage shall have a minimum depth of 1 foot.
5. The **minimum depth of the first cell** shall be 4 feet, exclusive of sediment storage requirements. The depth of the first cell may be greater than the depth of the second cell. If the wetpool is a single cell, the volume equivalent to the first cell shall have a minimum depth of 4 feet.
6. The **maximum depth of each cell** shall not exceed 8 feet (exclusive of sediment storage in the first cell). Pool depths of 3 feet or shallower (second cell) shall be planted with emergent wetland vegetation (see **Planting Requirements**).
7. Inlets and outlets shall be placed to maximize the flowpath through the facility. The **ratio of flowpath length to width** from the inlet to the outlet shall be at least 3:1. The *flowpath length* is defined as the distance from the inlet to the outlet, as measured at mid-depth. The *width* at mid-depth can be found as follows:  $width = (average\ top\ width + average\ bottom\ width) / 2$ .
8. All inlets shall enter the first cell. If there are multiple inlets, the length-to-width ratio shall be based on the average flowpath length for all inlets.

##### Berms, Baffles, and Slopes

1. A berm or baffle shall extend across the full width of the wetpool, and tie into the wetpond side slopes. If the berm embankments are greater than 4 feet in height, the berm **must be constructed by**

<sup>31</sup> As used here, the term *baffle* means a vertical divider placed across the entire width of the pond, stopping short of the pond bottom. A berm is a vertical divider typically built up from the bottom, or if in a vault, connects all the way to the bottom.

- excavating a key** equal to 50% of the embankment cross-sectional height and width. This requirement may be waived if recommended by a geotechnical engineer for specific *site* conditions.<sup>32</sup>
2. The **top of the berm shall extend** to the **WQ design water surface** or be one foot below the WQ design water surface. If at the WQ design water surface, berm side slopes must be 3H:1V. Berm side slopes may be steeper (up to 2:1) if the berm is submerged one foot.
  3. **Intent:** Submerging the berm is intended to enhance safety by discouraging pedestrian access when side slopes are steeper than 3H:1V.
  4. If good vegetation cover is not established on the berm, **erosion control measures** shall be used to prevent erosion of the berm back-slope when the pond is initially filled.
  5. The interior berm or baffle may be a **retaining wall** provided that the design is prepared and stamped by a *civil engineer*. If a baffle or retaining wall is used, it shall be submerged one foot below the design water surface to discourage access by pedestrians.
  6. Criteria for wetpond **side slopes** and **fencing** are given under “General Requirements for WQ Facilities,” Section 6.2.3.
  7. Berm **embankments** shall be the same as for detention ponds (see Section 5.1.1).
  8. **Internal berms** to lengthen the flow path or allow the inlet and outlet to be at the same side of the pond may be used if an **adjustment** is granted. An adjustment may be granted only if **physical site constraints** prevent the standard configuration and design features promote water quality treatment. Required design features to approve an adjustment include minimizing dead spaces, minimizing turbulence, and promoting plug flow. Internal berms must extend to the 2-year water elevation, a minimum of 10 feet must be between the berms, and a distance equal to the width between the internal berms must be provided between the internal berm and the pond side at the point that the flow turns around the berm.

### Inlet and Outlet

See Figure 6.4.1.A for details on the following requirements:

1. The **inlet** to the wetpond shall be **submerged** with the inlet pipe invert a minimum of two feet from the pond bottom (not including sediment storage). The top of the inlet pipe shall be submerged at least 1 foot.

**Intent:** The inlet is submerged to dissipate energy of the incoming flow. The distance from the bottom is set to minimize resuspension of settled sediments. Alternative inlet designs that accomplish these objectives are acceptable.

2. An **outlet structure** shall be provided. Either a Type 2 catch basin with a grated opening (jail house window) or a manhole with a cone grate (birdcage) may be used (see Section 5.1.1.1). No sump is required in the outlet structure for wetponds not providing detention storage. The outlet structure receives flow from the pond outlet pipe. The grate or birdcage openings provide an overflow route should the pond outlet pipe become clogged. Criterion 5 below specifies the sizing and position of the grate opening.
3. The **pond outlet pipe** (as opposed to the structure outlet) shall be back-sloped or have a turn-down elbow, and extend 1 foot below the WQ design water surface.

*Note: A floating outlet, set to draw water from 1 foot below the water surface, is also acceptable if vandalism concerns are adequately addressed.*

**Intent:** The inverted outlet pipe provides for trapping of oils and floatables in the wetpond.

<sup>32</sup> The geotechnical analysis must address situations in which one of the two cells is empty while the other remains full of water. These situations can occur, for example, during pump down of either cell for sediment removal, or when water from the second unlined cell percolates into the ground.

4. The **pond outlet pipe** shall be sized, at a minimum, to pass the WQ design flow.  
*Note: The highest invert of the outlet pipe sets the **WQ design water surface elevation**.*
5. The **overflow** criteria for single-purpose wetponds are as follows:
  - a) The requirement for **primary overflow** as described for flow control ponds is satisfied by either the **grated inlet** to the outlet structure or by a **birdcage** above the pond outlet structure as shown in Figure 5.1.1.C.
  - b) The bottom of the grate opening in the outlet structure shall be set at or above the height needed to pass the WQ design flow through the pond outlet pipe (see Section 6.4.1.1 for sizing details).  
*Note: The grate invert elevation sets the **overflow water surface elevation**.*
  - c) In flow-through ponds, the grated opening shall be sized to pass the 100-year design flow.
6. An **emergency spillway** shall be provided and designed according to the requirements for detention ponds (see Section 5.1.1).
7. A **gravity drain** for maintenance shall be provided if grade allows.  
**Intent:** It is anticipated that sediment removal will only be needed for the first cell in the majority of cases. The gravity drain is intended to allow water from the first cell to be drained to the second cell when the first cell is pumped dry for cleaning.
  - a) The **drain invert** shall be at least 6 inches below the top elevation of the dividing berm or baffle. Deeper drains are encouraged where feasible, but must be no deeper than 18 inches above the pond bottom.
  - b) **Intent:** to prevent highly sediment-laden water from escaping the pond when drained for maintenance.
  - c) The drain shall be at least 8 inches (minimum) diameter and shall be controlled by a valve. Use of a shear gate is allowed only at the inlet end of a pipe located within an approved structure.  
**Intent:** Shear gates often leak if water pressure pushes on the side of the gate opposite the seal. The gate should be situated so that water pressure pushes toward the seal.
8. Operational access to the valve shall be provided to the finished ground surface.
  - a) The valve location shall be accessible and well-marked with one foot of paving placed around the box. It must also be protected from damage and unauthorized operation.
  - b) A valve box is allowed to a maximum depth of 5 feet without an access manhole. If over 5 feet deep, an access manhole or vault is required.
9. All metal parts shall be corrosion-resistant. Galvanized materials are discouraged where substitutes are available.

### Access and Setbacks

1. The location of the pond relative to *site* constraints (e.g., buildings, property lines, etc.) shall be the same as for detention ponds (see Section 5.1.1). See Section 6.2.3 for typical setback requirements for WQ facilities.
2. Access and maintenance **roads** shall be provided and designed according to the requirements for detention ponds (see Section 5.1.1). Access and maintenance roads shall extend to both the wetpond inlet and outlet structures. An access ramp (7H:1V or flatter) shall be provided to the bottom of the first cell unless all portions of the cell can be reached and sediment loaded from the top of the pond. Also see Section 5.1.1, “Access Requirements” for more information on access alternatives.
3. If the **dividing berm** is also **used for access**, it must be built to sustain loads of up to 80,000 pounds.

## Signage

General signage shall be provided according to the requirements for detention ponds (see Section 5.1.1).

## Planting Requirements

1. Planting requirements for detention ponds (see Section 5.1.1.1) also apply to wetponds.

If the second cell of the wetpond is 3 feet or shallower, the bottom area shall be planted with emergent wetland vegetation. See Table 6.4.1.A for recommended emergent wetland plant species for wetponds.

**Intent:** Planting of shallow pond areas helps to stabilize settled sediment and prevent resuspension.

*Note: The recommendations in Table 6.4.1.A are for western Washington only. Local knowledge should be used to adapt this information if used in other areas.*

2. Cattails (*Typha latifolia*) are not allowed because they tend to crowd out other species, and the dead shoots need to be removed to prevent oxygen depletion in the wetpool.
3. If the wetpond is in a sensitive lake or sphagnum bog protection area, shrubs that form a dense cover shall be planted on slopes above the WQ design water surface on at least three sides. For banks that are berms, no planting is allowed if the berm is regulated by dam safety requirements (see Section 5.1.1). The purpose of planting is to discourage waterfowl use of the pond and to provide shading.<sup>33</sup> Some suitable trees and shrubs include vine maple (*Acer circinatum*), wild cherry (*Prunus emarginata*), red osier dogwood (*Cornus stolonifera*), California myrtle (*Myrica californica*), Indian plum (*Oemleria cerasiformis*), and Pacific yew (*Taxus brevifolia*) as well as numerous ornamental species.

## Recommended Design Features

The following design features should be incorporated into the wetpond design where *site* conditions allow:

1. For wetpool depths in excess of 6 feet, it is recommended that some form of **recirculation** be provided in the summer, such as a fountain or aerator, to prevent stagnation and low dissolved oxygen conditions. A special use permit is needed for a pump or fountain in a City maintained pond.
2. A flow length-to-width ratio greater than the 3:1 minimum is desirable. If the ratio is 4:1 or greater, then the **dividing berm is not required**, and the pond may consist of one cell rather than two.
3. A **tear-drop shape**, with the inlet at the narrow end, rather than a rectangular pond is preferred since it minimizes dead zones caused by corners.
4. A small amount of **base flow** may maintain circulation and reduce the potential for low oxygen conditions during late summer.
5. Evergreen or columnar deciduous **trees along the west and south sides** of ponds are recommended to reduce thermal heating, except that no trees or shrubs shall be planted on berms meeting the criteria of dams regulated for safety (see “Dam Safety Compliance” in Section 5.1.1). In addition to shade, trees and shrubs also discourage waterfowl use and the attendant phosphorus enrichment problems they cause. Trees should be set back so that the branches will not extend over the pond.

**Intent:** Evergreen trees or shrubs are preferred to avoid problems associated with leaf drop. Columnar deciduous trees (e.g., hornbeam, Lombardy poplar, etc.) typically have fewer leaves than other deciduous trees.

6. The **number of inlets** to the facility should be limited; ideally there should be only one inlet. The flowpath length should be maximized from inlet to outlet for all inlets to the facility.

<sup>33</sup> Waterfowl are believed to limit use of areas where their view of predator approach paths is blocked. Some suitable native shrubs include vine maple, Indian plum, bitter cherry, red osier dogwood, cascara, and red elderberry. Ornamental hedge plants such as English laurel, privet and barberry are also good choices.

7. The **access and maintenance road** could be extended along the full length of the wetpond and could double as playcourts or picnic areas. Placing finely ground bark or other natural material over the road surface would render it more pedestrian friendly.
8. Stormwater facilities may be incorporated within the open space, common space or recreation space on a case by case basis if:
  - a) The stormwater facility utilizes the techniques and landscape requirements set forth in *The Integrated Pond*, King County Water and Land Resources Division, or an equivalent manual, or
  - b) The surface water feature serves areas outside of the planned urban development and is appropriate in size and creates a benefit.
9. The following design features should be incorporated to enhance aesthetics where possible:
  - a) Subject to dam safety restrictions (WAC 175-175), provide visual enhancement with clusters of trees and shrubs around the wetpond, above the emergency overflow water surface elevation. In most pond areas, it is important to amend the soil with compost before planting since ponds are typically placed well below the native soil horizon in very poor soils. Compost must meet quality criteria in Reference Section 11-C.
  - b) Orient the pond length along the direction of prevailing summer winds (typically west or southwest) to enhance aeration.<sup>34</sup> This is beneficial for both aesthetics and treatment.

### Construction Considerations

1. Sediment that has accumulated in the pond must be removed after construction in the drainage area of the pond is complete (unless used for a liner—see Criteria 2 below). If no more than 12 inches of sediment have accumulated after plat construction, cleaning may be left until after building construction is complete. In general, sediment accumulation from stabilized drainage areas is not expected to exceed an average of 4 inches per year in the first cell. If sediment accumulation is greater than this amount, it will be assumed to be from construction unless it can be shown otherwise. The City will not release maintenance and defect financial guarantees or assume maintenance responsibility for a facility unless it has been cleaned of construction phase sediments.
2. Sediment that has accumulated in the pond at the end of construction may be used as a liner in excessively drained soils if the sediment meets the criteria for low permeability or treatment liners defined in Section 6.24 and in keeping with guidance given in Table 6.2.4.A. Sediment used for a soil liner must be graded to provide uniform coverage and thickness.

### Maintenance Considerations

1. The pond should be inspected annually. Floating debris and accumulated petroleum products should be removed as needed, but at least annually.
2. Nearby vegetation should be trimmed as necessary to keep the pond free of leaves and to maintain the aesthetic appearance of the area. Slope areas that have become bare should be revegetated and eroded areas should be regraded prior to being revegetated.
3. Sediment should be removed when the 1-foot sediment zone is full plus 6 inches. Sediments should be tested for toxicants in compliance with current disposal requirements if land uses in the catchment include commercial or industrial zones, or if visual or olfactory indications of pollution are noticed.
4. Water drained or pumped from ponds prior to sediment removal may be discharged to storm drains if it is not excessively turbid (i.e., if water appears translucent when held to light) and if floatable debris

<sup>34</sup> Wind moving over the surface of standing water can often induce some mixing of surface and near-surface water, replenishing oxygen and reducing stagnant conditions. If the pond is aligned with the prevailing wind direction, this effect can be maximized. See Bentzen et al. 2009. *Predictions of Resuspension of Highway Detention Pond Deposits in Interrain Event Periods due to Wind-Induced Currents and Waves*. *Journal of Environmental Engineering* 135 (12):1286-1293

and visual petroleum sheens are removed. Excessively turbid water (i.e., water appears opaque when held to light) should be discharged only after the solids have been settled and removed.

5. Pumping rates should be slow enough so that downstream channel erosion problems do not develop.

## □ LARGE WETPOND

All design criteria for **basic wetponds** shall apply to large wetponds, with the following **modifications**:

1. The wetpool for a large wetpond shall have a volume equal to 1.5 times the Basic wetpond volume described above.
2. If the project is subject to the Sensitive Lake Protection menu or the Sphagnum Bog Protection menu, the following shall apply:
  - a) Shrubs that form a dense cover shall be planted along the top of the wetpond bank on cut slopes. **Planting** is recommended for bermed slopes, except for berms meeting the criteria of dams regulated for safety (see “Dam Safety Compliance” in Section 5.1.1). Evergreen trees and shrubs are preferred.
 

**Intent:** Trees and shrubs discourage waterfowl use. Waterfowl tend to avoid areas that are not visually open.
  - b) Measures to enhance **waterfowl habitat value** (e.g., nesting structures) are not allowed.

**TABLE 6.4.1.A EMERGENT WETLAND PLANT SPECIES RECOMMENDED FOR WETPONDS**

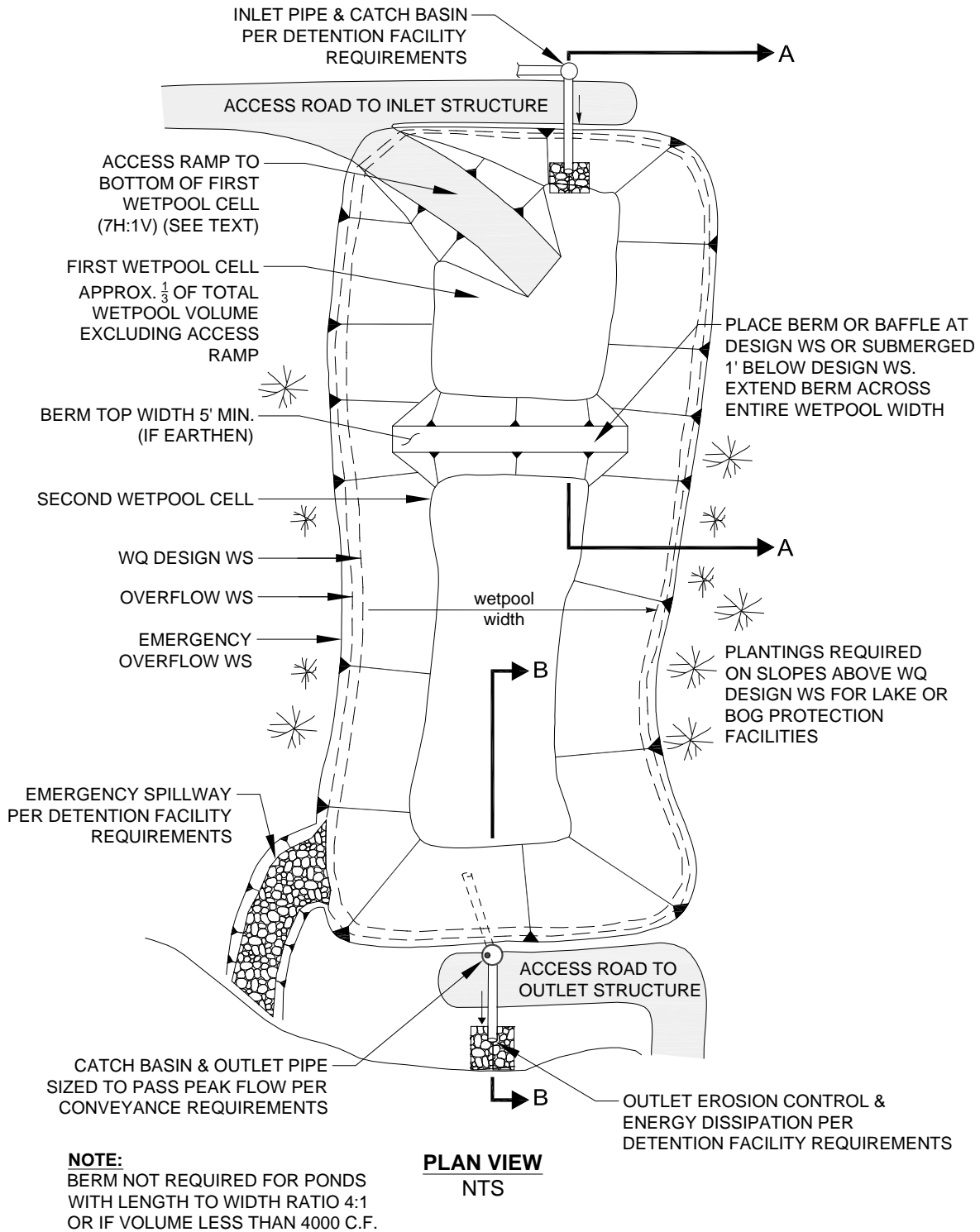
Species	Common Name	Notes	Maximum Depth
<b>INUNDATION TO 6 INCHES</b>			
<i>Carex amplifolia</i>	Bigleaf sedge	Pond margins, prefers steady water levels rather than large water elevation fluctuations	
<i>Carex lenticularis</i> var. <i>lipocarpa</i>	Kellogg’s sedge	Wet, sunny, or partially shaded sites along stream banks, lakeshores, wet meadows, and bogs.	
<i>Carex stipata</i>	Sawbeak sedge	Wet ground	
<i>Glyceria occidentalis</i>	Western mannagrass	Marshes, pond margins	
<i>Juncus effusus</i> var. <i>pacificus</i>	Soft rush	Wet meadows, pastures, wetland margins	
<i>Juncus tenuis</i>	Slender rush	Wet soils, wetland margins	
<i>Oenanthe sarmentosa</i>	Water parsley	Shallow water along stream and pond margins; needs saturated soils all summer	
<i>Scirpus atrocinctus</i> (formerly <i>S. cyperinus</i> )	Woolgrass	Tolerates shallow water; tall clumps	
<i>Sagittaria latifolia</i>	Arrowhead		
<i>Beckmania syzigachne</i> <sup>(1)</sup>	Western sloughgrass	Wet prairie to pond margins	



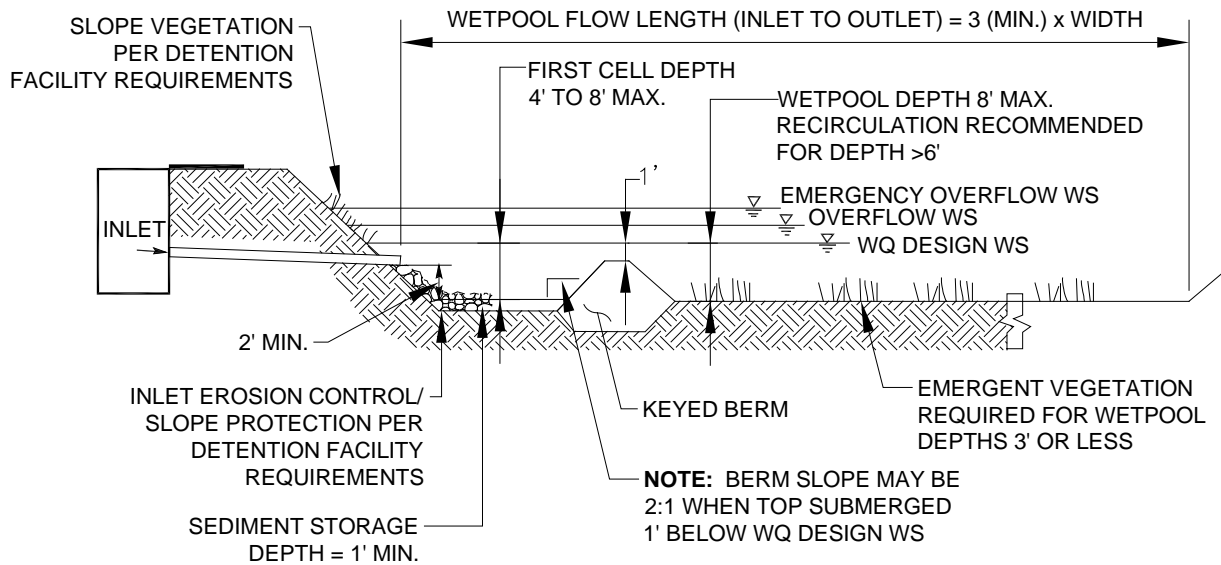
**TABLE 6.4.1.A EMERGENT WETLAND PLANT SPECIES RECOMMENDED FOR WETPONDS**

Species	Common Name	Notes	Maximum Depth
<b>INUNDATION TO 2 FEET</b>			
<i>Agrostis exarata</i> <sup>(1)</sup>	Spike bent grass	Prairie to coast	
<i>Alisma plantago-aquatica</i>	Water plantain		
<i>Eleocharis palustris</i>	Spike rush	Margins of ponds, wet meadows	
<i>Glyceria grandis</i>	Reed mannagrass	Rhizomatous grass in freshwater habitats, sun or shade	
<i>Scirpus microcarpus</i>	Small-fruited bulrush	Wet ground	18 inches
<i>Sparganium emmersum</i>	Bur reed	Shallow standing water, saturated soils	
<b>INUNDATION TO 3 FEET</b>			
<i>Carex aquatilis</i> *	Watersedge	Wet and boggy meadows, stream banks, pond, and lake margins. Tolerates 1 to 2 months of submersion.	
<i>Carex obnupta</i>	Slough sedge	Wet ground or standing water	
<i>Schoenoplectus acutus</i> <sup>(2)</sup>	Hardstem bulrush	Single tall stems, not clumping	
<i>Schoenoplectus tabernaemontani</i> <sup>(2)</sup>	Softstem bulrush		
<b>INUNDATION GREATER THAN 3 FEET</b>			
<i>Nuphar polysepalum</i>	Spatterdock	Deep water	3 to 7.5 feet
<i>Nymphaea odorata</i> <sup>(1)</sup>	White waterlily	Shallow to deep ponds	to 6 feet
Notes:			
(1) Nonnative species. <i>Beckmania syzigachne</i> is native to Oregon. Native species are preferred. <i>Carex aquatilis</i> is native to both Washington and Oregon, but not documented within the USDA Plants Database in King County.			
(2) <i>Scirpus</i> tubers must be planted shallower for establishment, and protected from foraging waterfowl until established. Emerging aerial stems should project above water surface to allow oxygen transport to the roots.			
Primary sources: Municipality of Metropolitan Seattle, <i>Water Pollution Control Aspects of Aquatic Plants</i> , 1990. Hortus Northwest, <i>Wetland Plants for Western Oregon</i> , Issue 2, 1991. Hitchcock and Cronquist, <i>Flora of the Pacific Northwest</i> , 1973.			

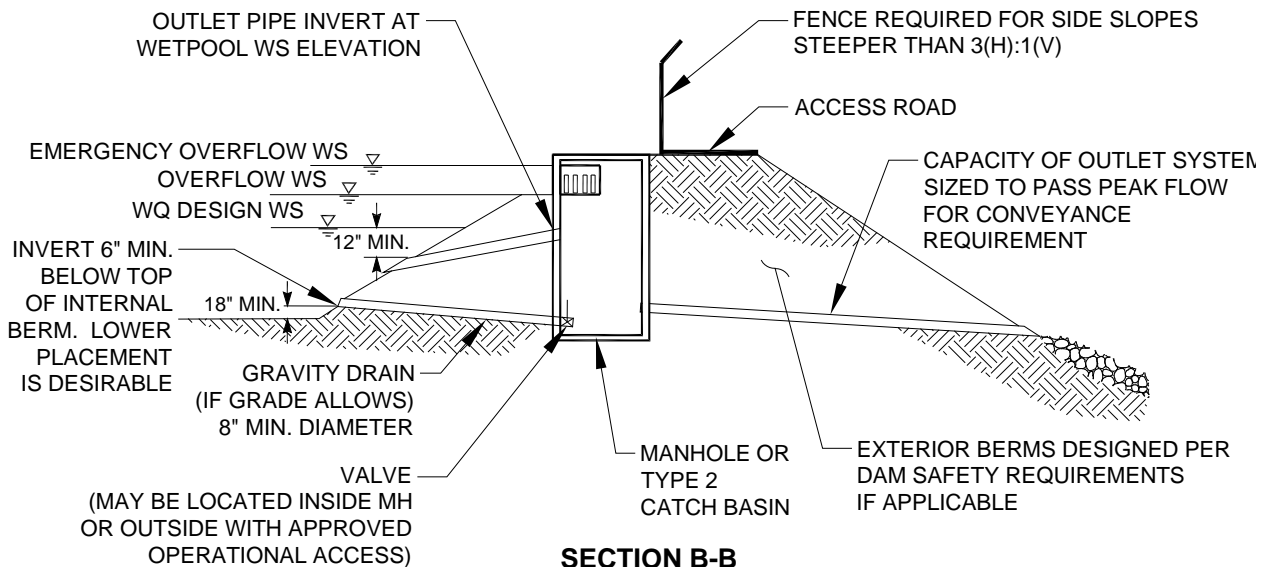
**FIGURE 6.4.1.A SCHEMATIC REPRESENTATION OF A WETPOND PLAN VIEW**



**FIGURE 6.4.1.B SCHEMATIC REPRESENTATION OF A WETPOND PROFILE**



**SECTION A-A**  
NTS



**SECTION B-B**  
NTS

**NOTE:**  
SEE DETENTION FACILITY REQUIREMENTS FOR LOCATION AND SETBACK REQUIREMENTS.

## 6.4.2 WETVAULTS

A *wetvault* is an underground structure similar in appearance to a detention vault, except that a wetvault has a permanent pool of water that dissipates energy and improves the settling of particulate pollutants (see the schematic representation in Figure 6.4.2.A). Being underground, the wetvault lacks the biological pollutant removal mechanisms, such as algae uptake, present in surface wetponds.

### Applications and Limitations

A wetvault may be used in any type or size of development. However, it is most practical in relatively small catchments (less than 10 acres of impervious surface) with high land values because vaults are relatively expensive. Combined detention and wetvaults are allowed; see Section 6.4.4.

A wetvault is believed to be ineffective in removing dissolved pollutants such as soluble phosphorus or metals such as copper. There is also concern that oxygen levels will decline, especially in warm summer months, because of limited contact with air and wind. However, the extent to which this potential problem occurs has not been documented.

If oil control is required for a project, the wetvault may be combined with the **affle oil/water separator** facility (see Section 6.6.2) to fulfill Special Requirement #5, "Oil Control" (see Option 5, Section 6.1.5).

*Consult the water quality menus in Section 6.1 for information on how this facility may be used to meet Core Requirement #8 and Special Requirement #5.*

### 6.4.2.1 METHODS OF ANALYSIS

As with wetponds, the primary design factor that determines the removal efficiency of a wetvault is the volume of the wetpool in relationship to the volume of runoff. The larger the volume, the higher the potential for pollutant removal. Performance is also improved by avoiding dead zones (like corners) where little exchange occurs, using large length-to-width ratios, dissipating energy at the inlet, and ensuring that flow rates are uniform to the extent possible and not increased between cells.

Wetvaults sized using the design methodology below (with a volume equal to the 91% treatment volume per Section 6.2.1) and following the required design criteria in Section 6.4.2.2 are expected to meet the Basic WQ menu goal of 80% TSS removal.

The methods of analysis for a wetvault are **identical to the methods of analysis for the wetpond**. Follow the procedure specified in Section 6.4.1.1 to determine the wetpool volume for a wetvault.

### 6.4.2.2 DESIGN CRITERIA

A schematic representation of a wetvault is shown in Figure 6.4.2.A.

#### Wetpool Geometry

Same as specified for **wetponds** (see Section 6.4.1.2) except for the following **two modifications**:

1. **Criterion 3:** The **sediment storage** in the first cell shall be an average of 1 foot. Because of the v-shaped bottom, the depth of sediment storage needed above the bottom of the side wall is roughly proportional to vault width according to the schedule below:

Vault Width	Sediment Depth (from bottom of side wall)
15'	10"
20'	9"
40'	6"
60'	4"

2. **Criterion 5:** The second cell shall be a minimum of 3 feet deep since planting cannot be used to prevent resuspension of sediment in shallow water as it can in open ponds.

## Vault Structure

1. Wetvaults shall be designed as flow-through systems.
2. The vault shall be separated into two cells by a **wall** or a **removable baffle**.<sup>35</sup> If a **wall or non-removable baffle** is used, a 5-foot by 10-foot removable maintenance access must be provided for both cells. If a removable baffle is used, the following criteria apply:
  - a) The baffle shall extend from a minimum of 1-foot above the WQ design water surface to a minimum of 1 foot below the invert elevation of the inlet pipe.
  - b) The lowest point of the baffle shall be a minimum of 2 feet from the bottom of the vault, and greater if feasible.
3. If the vault is less than 2,000 cubic feet (inside dimensions) or if the length-to-width ratio of the vault pool is 5:1 or greater, the **baffle or wall** may be omitted and the vault may be one-celled.
4. The two cells of a wetvault shall not be divided into additional subcells by **internal walls**. If internal structural support is needed, post and pier construction may be used to support the vault lid rather than walls. Any walls used within cells must be positioned so as to lengthen, rather than divide, the flowpath.

**Intent:** Treatment effectiveness in wetpool facilities is related to the extent to which plug flow is achieved and short-circuiting and dead zones are avoided. Structural walls placed within the cells can interfere with plug flow and create significant dead zones, reducing treatment effectiveness.

5. Internal walls to lengthen the flow path or allow the inlet and outlet to be at the same side of the vault may be used if an **adjustment** is granted. An adjustment may be granted only if **physical site constraints** prevent the standard configuration and design features promote water quality treatment. Required design features to approve an adjustment include minimizing dead spaces, minimizing turbulence, and promoting plug flow. Internal walls must extend to the 2-year water elevation, a minimum of 10 feet must be between the walls, and a distance equal to the width between the internal walls must be provided between the internal wall and the vault wall at the point that the flow turns around the wall. All vault requirements apply to each length/segment.

**Intent:** Confined movement around the internal walls creates turbulence, creates dead zones and decreases treatment effectiveness.

6. The bottom of the first cell shall be sloped toward the access opening. Slope shall be between 0.5 percent (minimum) and 2 percent (maximum). The second cell may be level (longitudinally) sloped toward the outlet, with a high point between the first and second cells.
7. The **vault bottom** shall slope laterally a minimum of 5% from each side towards the center, forming a broad “v” to facilitate sediment removal.

Note: More than one “v” may be used to minimize vault depth.

**Exception:** The vault bottom may be flat if **removable panels** are provided over the entire vault. Removable panels shall be at grade, have stainless steel lifting eyes, and weigh no more than 5 tons per panel.

8. The highest point of a **vault bottom** must be at least 6 inches below the outlet elevation to provide for sediment storage over the entire bottom.
9. Provision for passage of flows should the outlet plug shall be provided.

<sup>35</sup> As used here, the term *baffle* means a divider that does not extend all the way to the bottom of the vault, or if a bottom baffle, does not extend all the way to the top of the water surface. A *wall* is used here to mean a divider that extends all the way from near the water surface to the bottom of the vault.

10. Wetvaults may be constructed using **arch culvert sections** provided the top area at the WQ design water surface is, at a minimum, equal to that of a vault with vertical walls designed with an average depth of 6 feet. If arched culverts are used, the manufacturer must certify that they are water-tight.

**Intent:** To prevent decreasing the surface area available for oxygen exchange.

11. Wetvaults shall conform to the “**Materials**” and “**Structural Stability**” criteria specified for **detention vaults** in Section 5.1.3.
12. Where pipes enter and leave the vault below the WQ design water surface, they shall be **sealed** using a non-porous, non-shrinking grout.

### Inlet and Outlet

1. The **inlet** to the wetvault shall be submerged with the inlet pipe invert a minimum of 3 feet from the vault bottom (not including sediment storage). The top of the inlet pipe shall be submerged at least 1 foot.

*Note: These dimensional requirements may increase the minimum 4 foot depth of the first cell, depending on the size of the inlet pipe.*

**Intent:** The submerged inlet is to dissipate energy of the incoming flow. The distance from the bottom is to minimize resuspension of settled sediments. Alternative inlet designs that accomplish these objectives are acceptable.

2. Unless designed as an off-line facility, the capacity of the **outlet pipe** and available head above the outlet pipe shall be designed to convey the 100-year design flow for developed *site* conditions (as described in Section 5.1.4.2) without overtopping the vault. The available head above the outlet pipe must be a minimum of 6 inches.
3. The outlet pipe shall be back-sloped or have tee section, the lower arm of which shall extend 1 foot below the WQ design water surface to provide for trapping of oils and floatables in the vault.
4. A **gravity drain** for maintenance shall be provided if grade allows.
- a) The gravity drain should be as low as the *site* situation allows; however, the **invert** shall be no lower than the average sediment storage depth. At a minimum, the invert shall be 6 inches above the base elevation of the vault side walls.

**Intent:** This placement prevents highly sediment-laden water from escaping when the vault is drained for maintenance. A lower placement is allowed than for wetponds since the v-shaped vault bottom will capture and retain additional sediments.

- b) The drain shall be 8 inches (minimum) diameter and shall be controlled by a valve. Use of a shear gate is allowed only at the inlet end of a pipe located within an approved structure.

**Intent:** Shear gates often leak if water pressure pushes on the side of the gate opposite the seal. The gate should be situated so that water pressure pushes toward the seal.

- c) Operational access to the valve shall be provided to the finished ground surface. The valve location shall be accessible and well-marked with one foot of paving placed around the box. It must also be protected from damage and unauthorized operation.
- d) If not located in the vault, a valve box is allowed to a maximum depth of 5 feet without an access manhole. If over 5 feet deep, an access manhole is required.

### Access Requirements

Same as for detention vaults (see Section 5.1.3).

*Note: If the 5-foot by 10-foot removable maintenance access also provides inlet/outlet access, then a 3-foot by 3-foot inspection port must be provided at the inlet pipe and outlet structure.*

## Ventilation Requirements

A minimum of 50 square feet of **grate** shall be provided over the second cell. For vaults in which the surface area of the second cell is greater than 1,250 square feet, 4% of the total surface area shall be grated. This requirement may be met by one grate or by many smaller grates distributed over the second cell area. If the vault is a single cell, ventilation shall be provided over the second half of the vault.

*Note: a grated access door may be used to meet this requirement.*

**Intent:** The grate allows air contact with the wetpool in order to minimize stagnant conditions that can result in oxygen depletion, especially in warm weather.

## Access Roads, Right of Way, and Setbacks

Same as for detention vaults (see Section 5.1.3).

## Recommended Design Features

The following design features should be incorporated into wetvaults where feasible, but they are not specifically required:

1. The floor of the second cell should slope toward the outlet for ease of cleaning.
2. The **inlet and outlet** should be at opposing corners of the vault to increase the flowpath.
3. A **flow length-to-width** ratio greater than 3:1 minimum is desirable.
4. **Lockable grates** instead of solid manhole covers are recommended to increase air contact with the wetpool.
5. **Galvanized materials** should be avoided whenever possible.
6. The **number of inlets** to the wetvault should be limited, and the flowpath length should be maximized from inlet to outlet for all inlets to the vault.

## Construction Considerations

Sediment that has accumulated in the vault must be removed after construction in the drainage area is complete. If no more than 12 inches of sediment have accumulated after the infrastructure is built, cleaning may be left until after building construction is complete. In general, sediment accumulation from stabilized drainage areas is not expected to exceed an average of 4 inches per year in the first cell. If sediment accumulation is greater than this amount, it will be assumed to be from construction unless it can be shown otherwise. The City will not release maintenance and defect financial guarantees or assume maintenance responsibility for a facility unless it has been cleaned of construction phase sediments.

## Maintenance Considerations

1. Accumulated sediment and stagnant conditions may cause noxious gases to form and accumulate in the vault.
2. Facilities should be inspected annually. Floating debris and accumulated petroleum products shall be removed as needed, but at least annually. The floating oil shall be removed from wetvaults used as oil/water separators when oil accumulation exceeds one inch.
3. Sediment should be removed when the 1-foot (average) sediment zone is full thus 6 inches. Sediments should be tested for toxicants in compliance with current disposal requirements if land uses in the catchment include commercial or industrial zones, or if visual or olfactory indications of pollution are noticed.
4. Water drained or pumped from the vault prior to removing accumulated sediments may be discharged to storm drains if it is not excessively turbid (i.e., if water appears translucent when held to light) and if all floatable debris and visual petroleum sheens are removed. Excessively turbid water (i.e., water appears opaque when held to light) should be discharged only after the settleable solids have been removed.

**□ MODIFICATIONS FOR COMBINING WITH A BAFFLE OIL/WATER SEPARATOR**

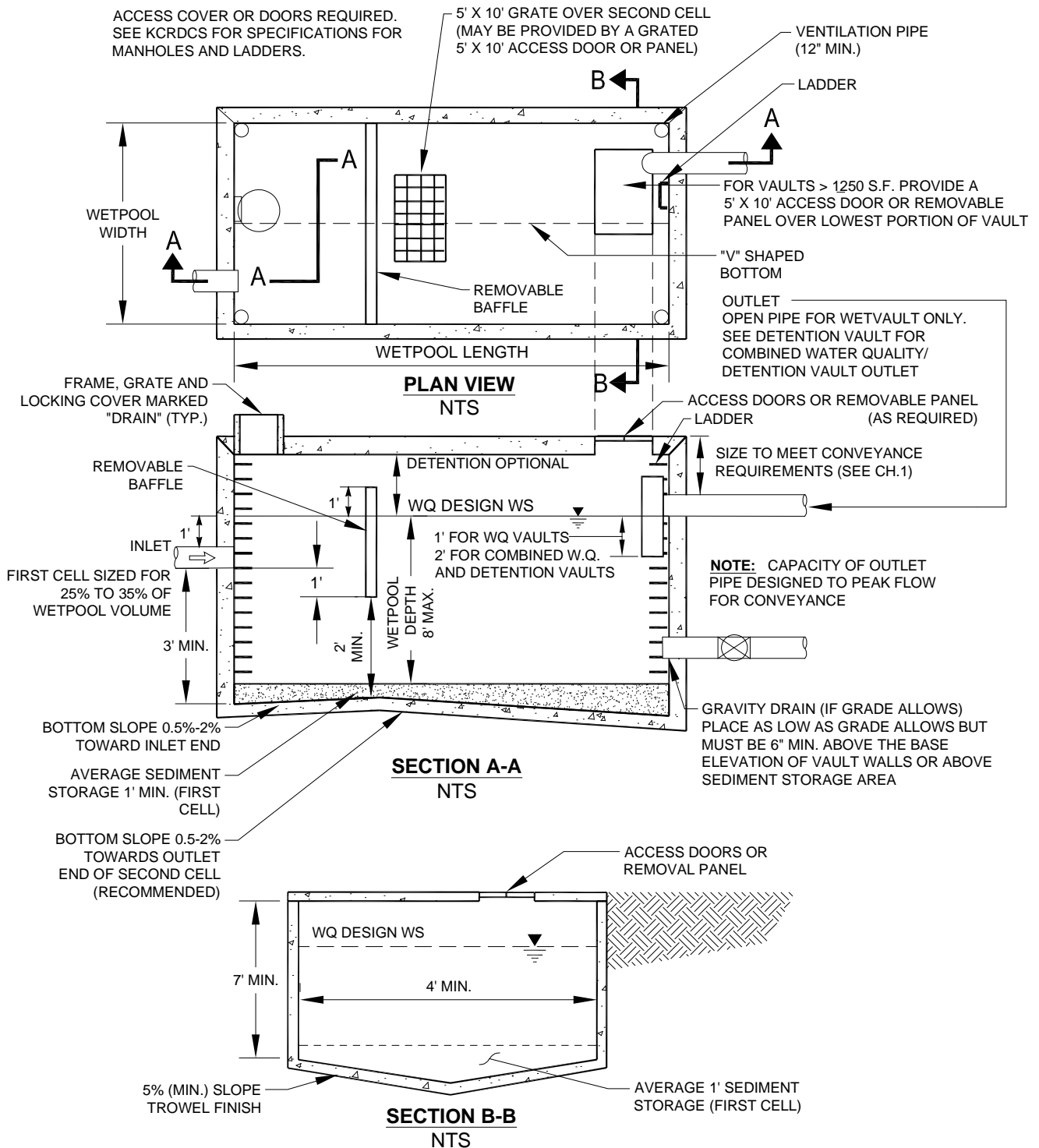
If the *project site* is a *high-use site* and a wetvault is proposed to meet the Basic WQ menu criteria, the vault may be combined with a baffle oil/water separator (see Section 6.6.2) to meet the requirements of Special Requirement #5 with one facility rather than two. Structural modifications and added design criteria are given below. However, the maintenance requirements for baffle oil/water separators must be adhered to, in addition to those for a wetvault. This will result in more frequent inspection and cleaning than for a wetvault used only for TSS removal. See Section 6.6.2.2 for information on maintenance of baffle oil/water separators.

1. The sizing procedures for the baffle oil/water separator should be run as a check to ensure the vault is large enough. If the oil/water separator sizing procedures result in a larger vault size, increase the wetvault size to match.
2. An **oil retaining baffle** shall be provided in the second cell near the vault outlet. The baffle should not contain a high-flow overflow, or else the retained oil will be washed out of the vault during large storms.
3. The vault shall have a minimum **length-to-width ratio** of 5:1.
4. The vault shall have a design water **depth-to-width** ratio of between 1:3 to 1:2.
5. The vault shall be **watertight** and shall be coated to protect from corrosion.
6. Separator vaults shall have a **shutoff mechanism** on the outlet pipe to prevent oil discharges during maintenance and to provide emergency shut-off capability in case of a spill. A valve box and riser shall also be provided.
7. Wetvaults used as oil/water separators must be **off-line** and must bypass flows greater than the **off-line** WQ design flow described in Section 6.2.1

**Intent:** This design minimizes the entrainment and/or emulsification of previously captured oil during very high flow events.



**FIGURE 6.4.2.A SCHEMATIC REPRESENTATION OF A WETVAULT**



### 6.4.3 STORMWATER WETLANDS

In land development situations, wetlands are usually constructed for two main reasons: to replace or mitigate impacts when natural wetlands are filled or impacted by development (mitigation wetlands), and to treat stormwater runoff (stormwater treatment wetlands). *Stormwater wetlands* are shallow man-made ponds that are designed to treat stormwater through the biological processes associated with emergent aquatic plants (see the schematic representations in Figure 6.4.3.A and Figure 6.4.3.B).

In the City, wetlands created to mitigate disturbance impacts, such as filling, shall not also be used as stormwater treatment facilities. This is because of the different, incompatible functions of the two kinds of wetlands. **Mitigation wetlands** are intended to function as full replacement habitat for fish and wildlife, providing the same functions and harboring the same species diversity and biotic richness as the wetlands they replace. **Stormwater treatment wetlands** are used to capture and transform pollutants, just as wetponds are, and over time the sediment will concentrate pollutants. This is not a healthy environment for aquatic life. Stormwater treatment wetlands are used to capture pollutants in a managed environment **so that they will not reach natural wetlands and other ecologically important habitats**. In addition, vegetation must be harvested and sediment dredged in stormwater treatment wetlands, further interfering with use for wildlife habitat.

In general, stormwater wetlands perform well to remove sediment, metals, and pollutants which bind to humic or organic acids. Phosphorus removal in stormwater wetlands is highly variable.<sup>36</sup>

#### Applications and Limitations

This stormwater wetland design occupies about the same surface area as wetponds, but has the potential to be better integrated aesthetically into a *site* because of the abundance of emergent aquatic vegetation. The most critical factor for a successful design is the provision of an **adequate supply of water** for most of the year to replace any lost by infiltration or evapotranspiration. Careful planning is needed to be sure sufficient water will be retained to sustain good wetland plant growth. Since water depths are shallower than in wetponds, water loss by evapotranspiration is an important concern, especially during the relatively warm dry season. Stormwater wetlands may be a good WQ facility choice in areas with high winter groundwater levels, if there is also some pond intrusion of summer base flow.

*Consult the water quality menus in Section 6.1 for information on how this facility may be used to meet Core Requirement #8.*

#### 6.4.3.1 METHODS OF ANALYSIS

When used for stormwater treatment, stormwater wetlands employ some of the same design features as wetponds. However, in addition to gravity settling, some degree of pollutant removal is mediated by aquatic vegetation and the microbiological community associated with that vegetation. When designing wetlands, water volume and factors which affect plant vigor and biomass are all concerns.

Stormwater wetlands designed and constructed using the criteria below are expected to meet both the Basic and Enhanced Basic water quality treatment goals.

**Steps 1 through 5: Determine the volume of a basic wetpond.** Follow Steps 1 through 5 for wetponds (see Section 6.4.1.1). The volume of a basic wetpond is used as a template for sizing the stormwater wetland.

**Step 6: Calculate the surface area of the stormwater wetland.** The surface area of the wetland shall be the same as the top area of a wetpond sized for the same *site* conditions. Calculate the surface area of the stormwater wetland by using the volume from Step 5 and dividing by the average water depth (use 3 feet).

**Step 7: Determine the surface area of the first cell of the stormwater wetland.** Use the volume determined from Criterion 2 under "Wetland Geometry," and the actual depth of cell 1.

<sup>36</sup> Richardson, C. 1987. "Mechanisms controlling phosphorus retention capacity in freshwater wetlands," *Science*, 228: 1424.

**Step 8: Determine the surface area of the wetland cell.** Subtract the surface area of the first cell (Step 7) from the total surface area (Step 6).

**Step 9: Determine water depth distribution in the second cell.** Decide if the top of the dividing berm will be at the surface or submerged (designer's choice). Adjust the distribution of water depths in the second cell according to Criterion 8 under "Wetland Geometry" below. *Note: This will result in a facility that holds less volume than that determined in Step 5 above. This is acceptable.*

**Intent:** The surface area of the stormwater wetland is set to be roughly equivalent to that of a wetpond designed for the same *project site* so as not to discourage use of this option.

**Step 10: Choose plants.** See Table 6.4.1.A for a list of plants recommended for wetpond water depth zones, or consult a wetland scientist.

### 6.4.3.2 DESIGN CRITERIA

Typical details for a **stormwater wetland** are shown in Figure 6.4.3.A and Figure 6.4.3.B.

#### Wetland Geometry

1. Stormwater wetlands shall consist of two cells, a presettling cell and a wetland cell.
2. The **presettling cell** shall contain a volume equal to approximately one-third of the wetpool volume calculated in Steps 1 through 5 of "Methods of Analysis," Section 6.4.3.1.
3. The **depth of the presettling cell** shall be between 4 feet (minimum) and 8 feet (maximum).
4. One foot of **sediment storage** shall be provided in the presettling cell.
5. The **wetland cell** shall have an average **water depth** of about 1.5 feet (plus or minus 3 inches).
6. The "**berm**" separating the two cells shall be shaped such that its downstream side gradually slopes to form the second shallow wetland cell (see the section view in Figure 6.4.3.A). Alternatively, the second cell may be graded naturalistically from the top of the dividing berm (see Criterion 8 below).
7. The **top of berm** shall be either at the WQ design water surface or submerged 1 foot below the WQ design water surface, as with wetponds. Correspondingly, the **side slopes** of the berm must meet the following criteria:
  - a) If the top of berm is at the WQ design water surface, the berm side slopes shall be no steeper than 3H:1V.
  - b) If the top of berm is submerged 1 foot, the upstream side slope may be up to 2H:1V.<sup>37</sup>
8. Two options (A and B) are provided for **grading the bottom of the wetland cell**. Option A is a shallow, evenly graded slope from the upstream to the downstream edge of the wetland cell (see Figure 6.4.3.A).

Option B is a "naturalistic" alternative, with the specified range of depths intermixed throughout the second cell (see Figure 6.4.3.B). A **distribution of depths** shall be provided in the wetland cell depending on whether the dividing berm is at the water surface or submerged (see Table 6.4.3.A).

The maximum depth is 2.5 feet in either configuration.

<sup>37</sup> If the berm is at the water surface, then for safety reasons, its slope must be no greater than 3:1, just as the pond banks must be 3:1 if the pond is not fenced. A steeper slope (2:1 rather than 3:1) is allowed if the berm is submerged in 1 foot of water. If submerged, the berm it is not considered accessible, and the steeper slope is allowed.

**TABLE 6.4.3.A DISTRIBUTION OF DEPTHS IN WETLAND CELL (OPTION B)**

DIVIDING BERM AT WQ DESIGN WATER SURFACE		DIVIDING BERM SUBMERGED 1 FOOT	
Depth Range (feet)	Percent of Cell 2 Surface Area	Depth Range (feet)	Percent of Cell 2 Surface Area
0.1 to 1	25	1 to 1.5	40
1 to 2	55	1.5 to 2	40
2 to 2.5	20	2 to 2.5	20

### Lining Requirements

1. **In infiltrative soils**, both cells of the stormwater wetland shall be lined. To determine whether a low-permeability liner or a treatment liner is required, determine whether the following conditions will be met. If low soil permeability will ensure sufficient water retention, lining may be waived.
  - The first cell of a treatment wetland must retain a permanent pool of water throughout the wet season. It is considered non-compliant if the pond level drops more than 12" in any 7-day measurement period. A low permeability liner, per Section 6.2.4 will be required to achieve this standard in infiltrative soils.
  - The second cell must retain water for at least 10 months of the year.
  - The complete historical precipitation record should be used in the approved model when establishing these conditions.

**Intent:** Many wetland plants can adapt to periods of summer drought, so a limited drought period is allowed in the second cell. This may allow a treatment liner rather than a low permeability liner to be used for the second cell. The first cell must retain a permanent pool of water throughout the wet season in order for the presettling function to be effective.
2. If a **low permeability liner** is used, a minimum of 18 inches of native soil amended with good topsoil or compost (one part compost mixed with 3 parts native soil) meeting the compost quality requirements in Reference Section 11-C must be placed over the liner. For **geomembrane or geotextile liner**, a soil depth of 3 feet covering the liner is required to prevent damage to the liner during planting. Hydric soils are not required.
3. The criteria for liners given in Section 6.2.4 must be observed.

### Inlet and Outlet

Same as for basic wetpools (see Section 6.4.1.2) but with the added requirement that spill control be provided as detailed in Section 4.2.1.1 prior to discharge of runoff from non-roof-top ***pollution generating impervious surface*** into the stormwater wetland.

### Access and Setbacks

1. Location of the stormwater wetland relative to **site** constraints (e.g., buildings, property lines, etc.) shall be the same as for detention ponds (see Section 5.1.1). See Section 6.2.3 for typical setback requirements for WQ facilities.
2. Access and maintenance **roads** shall be provided and designed according to the requirements for detention ponds (see Section 5.1.1). Access and maintenance roads shall extend to both the wetland inlet and outlet structures. An access ramp (7H minimum:1V) shall be provided to the bottom of the first cell unless all portions of the cell can be reached and sediment loaded from the top of the wetland side slopes. Also see "Access Requirements" in Section 5.1.1, for more information on access alternatives.
3. If the dividing berm is also used for access, it must be built to sustain loads of up to 80,000 pounds.

## Signage

General signage shall be provided according to the requirements for detention ponds (see Section 5.1.1).

## Planting Requirements

1. The wetland cell shall be planted with emergent wetland plants following the recommendations given in Table 6.4.1.A or the recommendations of a wetland specialist.

*Note: Cattails (*Typha latifolia*) are not allowed. They tend to escape to natural wetlands and crowd out other species. In addition, the shoots die back each fall and will result in oxygen depletion in the wetpool unless they are removed.*

2. If the stormwater wetland is in a sensitive lake or sphagnum bog protection area, shrubs that form a dense cover shall be planted on slopes above the WQ design water surface on at least three sides of the presettling cell. For banks that are berms, no planting is allowed if the berm is regulated by dam safety requirements (see Section 5.1.1). The purpose of planting is to discourage waterfowl use of the pond and to provide shading.<sup>38</sup> Some suitable trees and shrubs include vine maple (*Acer circinatum*), wild cherry (*Prunus emarginata*), red osier dogwood (*Cornus stolonifera*), California myrtle (*Myrica californica*), Indian plum (*Oemleria cerasiformis*), and Pacific yew (*Taxus brevifolia*) as well as numerous ornamental species.

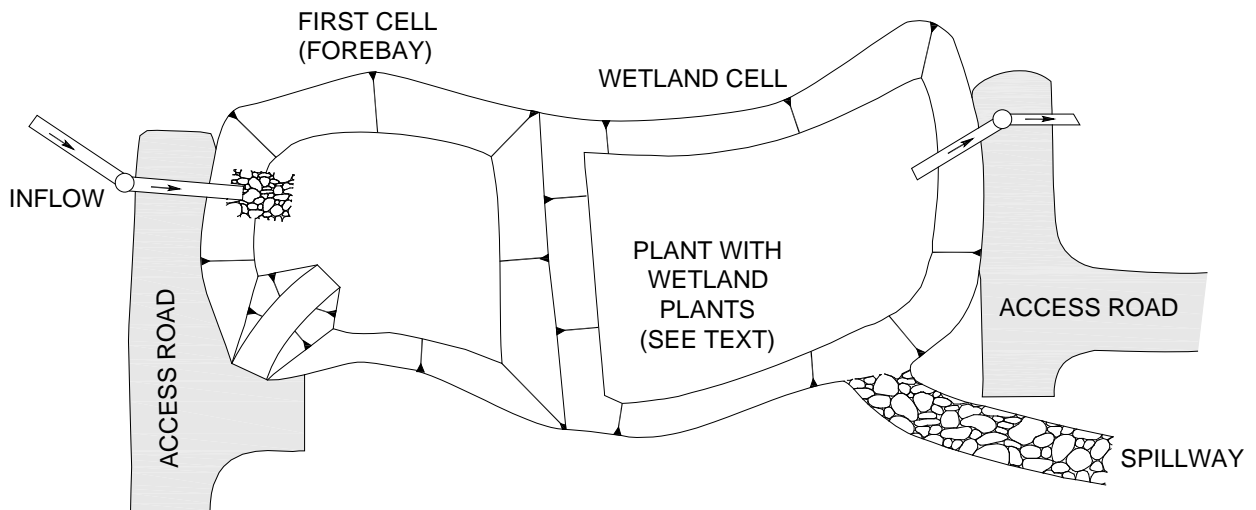
## Construction and Maintenance Considerations

Construction and maintenance considerations are the same as for basic wetponds. Construction of the naturalistic alternative (Option B) can be easily done by first excavating the entire area to the 1.5-foot average depth. Then soil subsequently excavated to form deeper areas can be deposited to raise other areas until the distribution of depths indicated in the design is achieved.

---

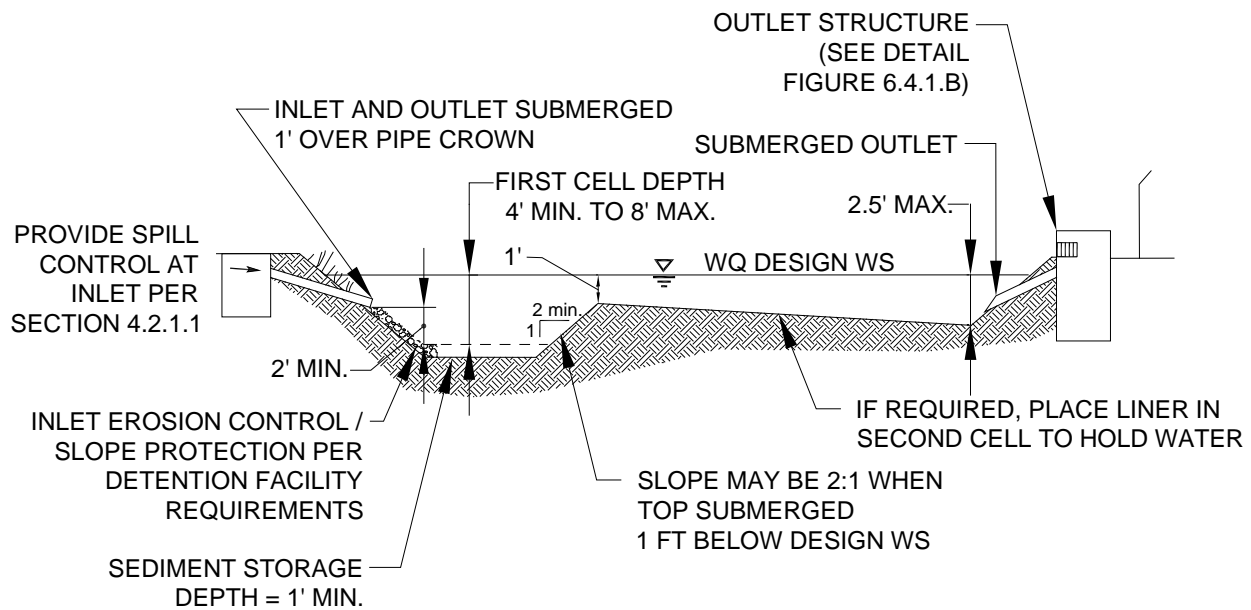
<sup>38</sup> Waterfowl are believed to limit use of areas where their view of predator approach paths is blocked. Some suitable native shrubs include vine maple, Indian plum, bitter cherry, red osier dogwood, cascara, and red elderberry. Ornamental hedge plants such as English laurel, privet and barberry are also good choices.

**FIGURE 6.4.3.A SCHEMATIC REPRESENTATION OF A STORMWATER WETLAND — OPTION A**



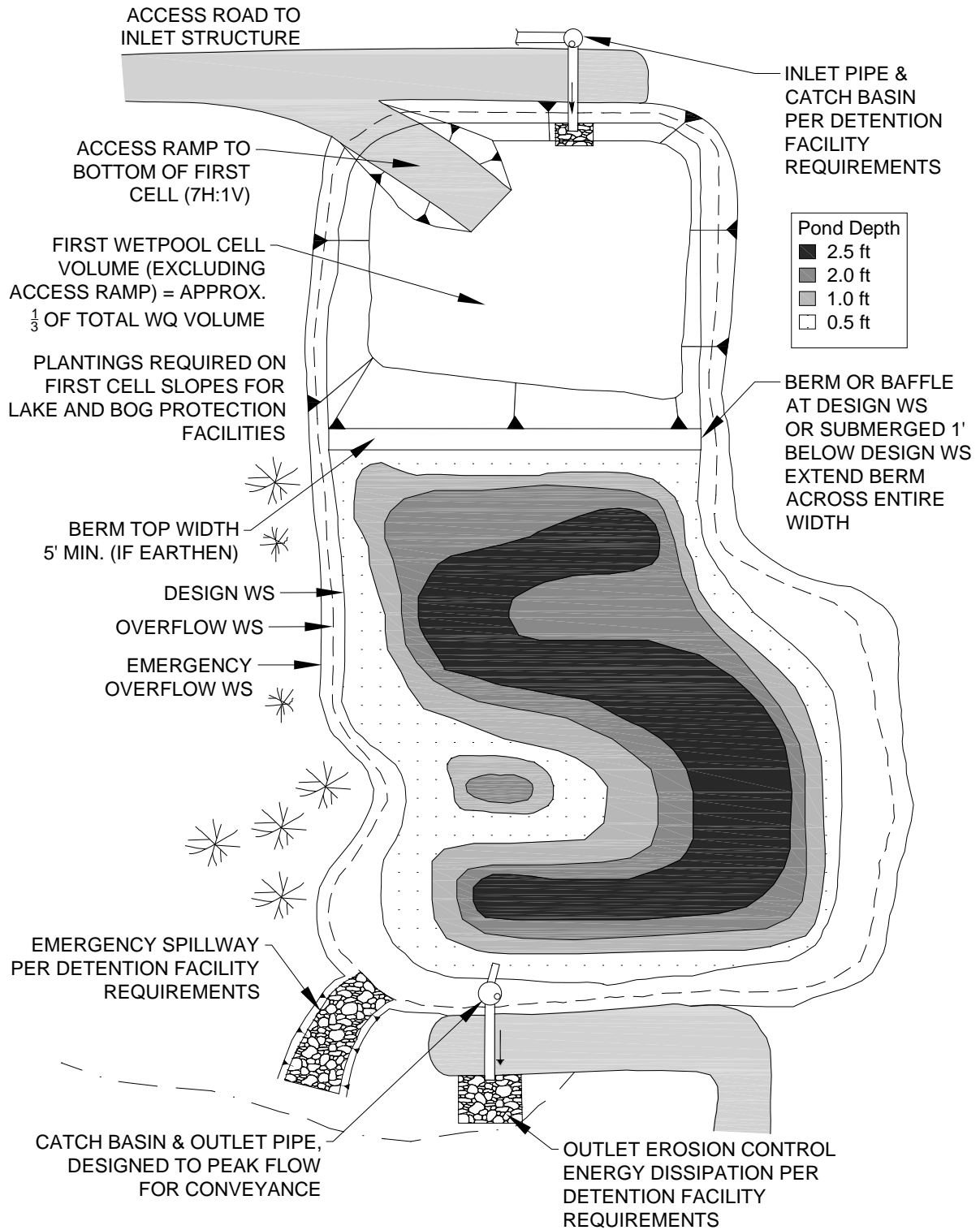
**PLAN VIEW Option A**  
NTS

**NOTE:**  
SEE DETENTION FACILITY REQUIREMENTS FOR  
LOCATION AND SETBACK REQUIREMENTS.



**SECTION VIEW Option A**  
NTS

**FIGURE 6.4.3.B SCHEMATIC REPRESENTATION OF A STORMWATER WETLAND — OPTION B**



**PLAN VIEW Option B**  
NTS

## 6.4.4 COMBINED DETENTION AND WETPOOL FACILITIES

Combined detention and WQ wetpool facilities have the appearance of a detention facility but contain a permanent pool of water as well. The following design procedures, requirements, and recommendations cover differences in the design of the stand-alone WQ facility when combined with detention storage. The following combined facilities are addressed:

- Detention/wetpond (basic and large)
- Detention/wetvault
- Detention/stormwater wetland.

There are two sizes of the combined wetpond, a basic and a large, but only a basic size for the combined wetvault and combined stormwater wetland. The facility sizes (basic and large) are related to the pollutant removal goals stated in the WQ menus. See Section 6.1 for more information on the WQ menus and treatment goals.

### Applications and Limitations

Combined detention and water quality facilities are very efficient for *sites* that also have detention requirements. The water quality facility may often be placed beneath the detention facility without increasing the facility surface area. However, the **fluctuating water surface** of the live storage will create unique challenges for plant growth and for aesthetics alike.

The basis for pollutant removal in combined facilities is the same as in the stand-alone WQ facilities. However, in the combined facility, the detention function creates fluctuating water levels and added turbulence. For simplicity, the positive effect of the extra live storage volume and the negative effect of increased turbulence are assumed to balance, and are thus ignored when sizing the wetpool volume.<sup>39</sup> For the combined detention/stormwater wetland, criteria that limit the extent of water level fluctuation are specified to better ensure survival of the wetland plants.

Unlike the wetpool volume, the **live storage component** of the facility should be provided above the seasonal high water table.

*Consult the water quality menus in Section 6.1 for information on how these combined facilities may be used to meet Core Requirement #8.*

### 6.4.4.1 METHODS OF ANALYSIS

#### ☐ COMBINED DETENTION AND WETPOND (BASIC AND LARGE)

The methods of analysis for combined detention and wetponds are identical to those outlined for wetponds and for detention facilities. Follow the procedure specified in Section 6.4.1.1 to determine the wetpool volume for a combined facility. Follow the standard procedure specified in Chapter 5 to size the detention portion of the pond.

#### ☐ COMBINED DETENTION AND WETVAULT

The methods of analysis for combined detention and wetvaults are identical to those outlined for wetvaults and for detention facilities. Follow the procedure specified in Section 6.4.2 to determine the wetvault volume for a combined facility. Follow the standard procedure specified in Chapter 5 to size the detention portion of the vault.

#### ☐ COMBINED DETENTION AND STORMWATER WETLAND

The methods of analysis for combined detention and stormwater wetlands are identical to those outlined for stormwater wetlands and for detention facilities. Follow the procedure specified in Section 6.4.3.1 to

<sup>39</sup> Many of the ponds studied in the Nationwide Urban Runoff Program were combined ponds.



determine the stormwater wetland size. Follow the standard procedure specified in Chapter 5 to size the detention portion of the wetland.

## 6.4.4.2 DESIGN CRITERIA

### ☐ COMBINED DETENTION AND WETPOND (BASIC AND LARGE)

Schematic representations of a combined detention and wetpond are shown in Figure 6.4.4.A and Figure 6.4.4.B. The **detention portion** of the facility shall meet the design criteria set forth in Chapter 5 and sizing procedures in Chapter 3.

#### Detention and Wetpool Geometry

1. The wetpool and sediment storage volumes shall not be included in the required detention volume.
2. The “**Wetpool Geometry**” criteria for wetponds (see Section 6.4.1.2) shall apply with the following **modification**:

**Criterion 4:** The minimum **sediment storage depth** in the first cell is 1 foot. *The 6 inches of sediment storage required for detention ponds does not need to be added to this, but 6 inches of sediment storage must be added to the second cell to comply with the detention sediment storage requirement.*

#### Berms, Baffles, and Slopes

Same as for wetponds (see Section 6.4.1.2).

#### Inlet and Outlet

The “Inlet and Outlet” criteria for **wetponds** (see Section 6.4.1.2) shall apply with the following **modifications**:

1. **Criterion 2:** A **sump** must be provided in the outlet structure of combined ponds.
2. The detention flow restrictor and its outlet pipe shall be designed according to the requirements for detention ponds (see Section 5.1.4.2).

#### Access and Setbacks

Same as for wetponds (see Section 6.4.1.2).

#### Signage

Signage shall be provided according to the requirements for detention ponds (see Section 5.1.1).

1. Planting Requirements

Same as for wetponds (see Section 6.4.1.2).

### ☐ COMBINED DETENTION AND WETVAULT

The design criteria for detention vaults and wetvaults must **both** be met, except for the following **modifications or clarifications**:

1. The minimum **sediment storage depth** in the first cell shall average 1 foot. The 6 inches of sediment storage required for detention vaults does not need to be added to this, but 6 inches of sediment storage must be added to the second cell to comply with detention vault sediment storage requirements.
2. The **oil retaining baffle** shall extend a minimum of 2 feet below the WQ design water surface.

**Intent:** The greater depth of the baffle in relation to the WQ design water surface compensates for the greater water level fluctuations experienced in the combined vault. The greater depth is deemed prudent to better ensure that separated oils remain within the vault, even during storm events.

*Note: If a vault is used for detention as well as water quality control, the facility shall not be modified to function as a baffle oil/water separator as allowed for wetvaults in Section 6.4.2.2. This is because the added pool fluctuation in the combined vault does not allow for the quiescent conditions needed for oil separation.*

## □ COMBINED DETENTION AND STORMWATER WETLAND

The design criteria for detention ponds and stormwater wetlands must both be met, except for the following **modifications or clarifications**:

1. The “**Wetland Geometry**” criteria for stormwater wetlands (see Section 6.4.3.2) are modified as follows:

**Criterion 4:** The minimum **sediment storage depth** in the first cell is 1 foot. The 6 inches of sediment storage required for detention ponds does not need to be added to this, nor does the 6 inches of sediment storage in the second cell of detention ponds need to be added.

**Intent:** Since emergent plants are limited to shallower water depths, the deeper water created before sediments accumulate is considered detrimental to robust emergent growth. Therefore, sediment storage is confined to the first cell which functions as a presettling cell.

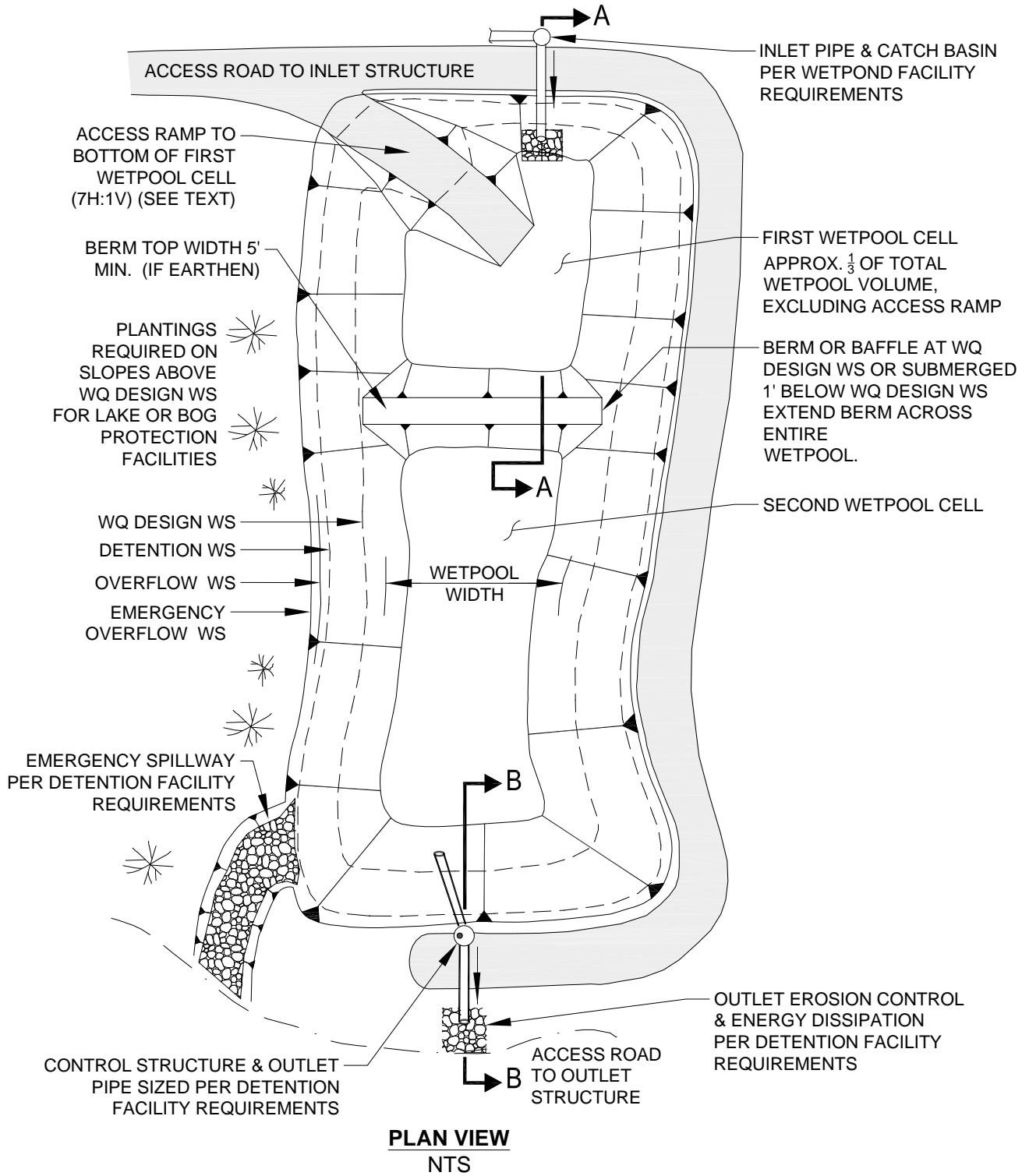
2. The “**Inlet and Outlet**” criteria for **wetponds** (see Section 6.4.1.2) shall apply with the following **modifications**:
  - a) **Criterion 2:** A **sump** must be provided in the outlet structure of combined facilities.
  - b) The detention **flow restrictor** and its outlet pipe shall be designed according to the requirements for detention ponds (see Section 5.1.4.2).
3. The “**Planting Requirements**” for stormwater wetlands (see Section 6.4.3.2) are **modified** to use the following plants which are better adapted to water level fluctuations:
  - *Scirpus acutus* (hardstem bulrush) 2' to 6' depth
  - *Scirpus microcarpus* (small-fruited bulrush) 1' to 2.5' depth
  - *Sparganium emersum* (burreed) 1' to 2' depth
  - *Sparganium eurycarpum* (burreed) 1' to 2' depth
  - *Veronica* sp. (marsh speedwell) 0' to 1' depth

In addition, the shrub *Spirea douglasii* (Douglas spirea) may be used in combined facilities.

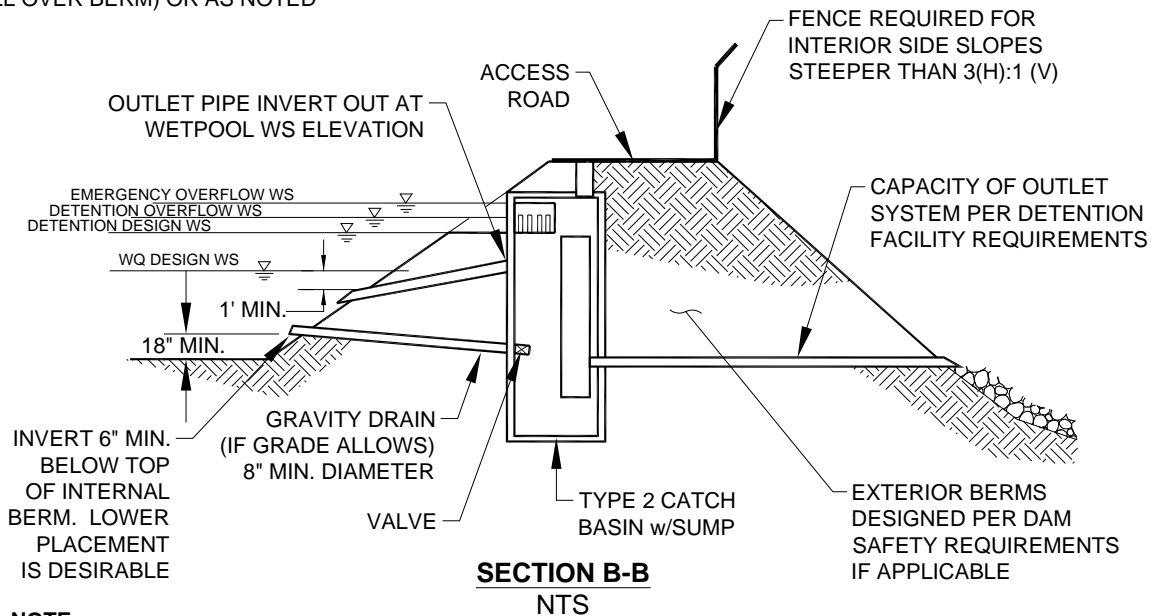
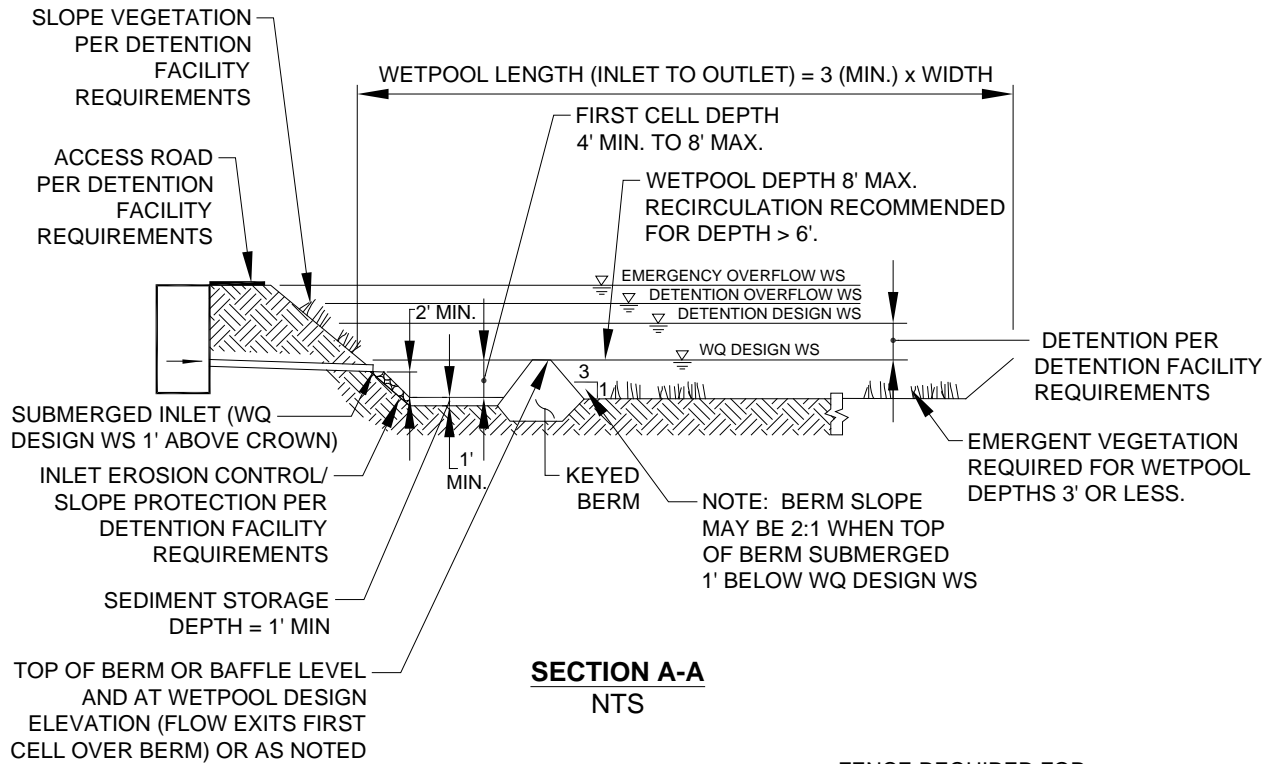
**Water Level Fluctuation Restrictions:** The difference between the WQ design water surface and the maximum water surface associated with the 2-year runoff shall not be greater than 3 feet. If this restriction cannot be met, the size of the stormwater wetland must be increased. The **additional area** may be placed in the first cell, second cell, or both. If placed in the second cell, the additional area need not be planted with wetland vegetation or counted in calculating the average depth.

**Intent:** This criterion is designed to dampen the most extreme water level fluctuations expected in combined facilities to better ensure that fluctuation-tolerant wetland plants will be able to survive in the facility. It is **not intended** to protect native wetland plant communities and is **not to be applied to natural wetlands**.

**FIGURE 6.4.4.A SCHEMATIC REPRESENTATION OF A COMBINED DETENTION AND WETPOOL PLAN VIEW**



**FIGURE 6.4.4.B SCHEMATIC REPRESENTATION OF A COMBINED DETENTION AND WETPOND PROFILE VIEW**



**NOTE:**  
SEE DETENTION FACILITY REQUIREMENTS FOR LOCATION, INTERIOR & EXTERIOR SIDE SLOPES, AND SETBACK REQUIREMENTS.

## 6.5 FILTRATION FACILITY DESIGNS

This section presents the methods, criteria, and details for analysis and design of sand filters and generic information for proprietary cartridge filters. The following specific facility designs are included in this section:

- “Sand Filters — Basic and Large,” Section 6.5.2
- “Sand Filter Vaults,” Section 6.5.3
- “Linear Sand Filters,” Section 6.5.4

The information presented for each filtration facility is organized into the following categories:

1. **Methods of Analysis:** Contains a step-by-step procedure for designing and sizing each facility.
2. **Design Criteria:** Contains the details, specifications, and material requirements for each facility.

### 6.5.1 GENERAL REQUIREMENTS FOR FILTRATION FACILITIES

#### Presettling Requirement

Filtration facilities are particularly susceptible to clogging. Presettling must therefore be provided before stormwater enters a filtration facility to prolong the periods between required maintenance activities. The presettling treatment goal is to remove 50 percent of the total suspended solids (TSS). This requirement may be met by **any of the following:**

1. A water quality facility from the Basic WQ Menu (Section 6.1.1), except for Basic WQ options 7 (sand filter) and 8 (proprietary media/membrane filter), which shall not be used to meet the presettling requirement.
2. A presettling pond or vault, which may be integrated as the first cell of the filtration facility, with a treatment volume equal to 0.25 times the basic water quality treatment volume (see Section 6.2.1) calculated by the approved model or by using the NRCS curve number method (see Section 6.4.1.1). See design requirements below.

Note: For the linear sand filter, use the sediment cell sizing given in the design instead of the above sizing.

3. A detention facility sized to meet the *Flow Control Duration Standard*.
4. An alternative City approved pretreatment technology (see New Facility Designs in Section 6.2, Section 6.7, “Proprietary Facility Designs,” and Reference Section 14-A and 14-B).

#### Other Pretreatment Requirements, Limitations, and Notes

1. Sand filters not preceded by a facility that captures floatables, such as a spill control tee, must provide additional pretreatment to remove **floatable trash and debris** before flows reach the sand bed. This requirement may be met by providing a catch basin with a capped riser on the inlet to the sand filter (see Figure 6.5.2.C).
2. For *high-use sites*, sand filters must be preceded by an **oil control option** from the High-Use menu, Section 6.1.5.
3. The presettling requirement (with 50% TSS treatment goal) for filtration facilities is in addition to and exclusive of the treatment requirement for the filtration facility (80% TSS treatment goal).

#### Design Criteria for Presettling Cells

1. If water in the presettling cell or upstream WQ facility will be in direct contact with the soil, the cell or WQ facility must be **lined** per the liner requirements in Section 6.2.4.

**Intent:** to prevent groundwater contamination from untreated stormwater runoff in areas of excessively drained soils.

2. The presettling cell shall conform to the following:
  - a) The **length-to-width ratio** shall be 2:1, at minimum. A 3:1 ratio is recommended. Berms or baffles may be used to lengthen the flowpath.
  - b) The **minimum depth** shall be 3 feet; the **maximum depth** shall be 6 feet.
  - c) One foot of sediment storage shall be provided.
3. Inlets and outlets shall be designed to minimize velocity and reduce turbulence. The top of the inlet pipe shall be submerged at least 1 foot. The bottom of the inlet pipe shall be at least 1 foot above sediment storage.
4. If the presettling cell is in a sensitive lake or sphagnum bog protection area, shrubs that form a dense cover shall be planted on slopes above the WQ design water surface on at least three sides (see the wetpond planting requirements in Section 6.4.1.2).
5. See Section 6.5.3.2 for details of presettling vault structures.

## 6.5.2 SAND FILTERS — BASIC AND LARGE

A *sand filter* operates much like an infiltration pond (see schematic representations in Figure 6.5.2.A and Figure 6.5.2.B). However, instead of infiltrating into native soils, stormwater filters through a constructed sand bed with an underdrain system. Runoff enters the pond and spreads over the surface of the filter. As flows increase, water backs up in the pond where it is held until it can percolate through the sand. The treatment pathway is vertical (downward through the sand). High flows in excess of the WQ treatment goal simply spill out over the top of the pond. Water that percolates through the sand is collected in an underdrain system of drain rock and pipes which directs the treated runoff to the downstream drainage system.

A sand filter removes pollutants primarily by physical filtration. As stormwater passes through the sand, pollutants are trapped in the small spaces between sand grains or adhere to the sand surface. Over time, silt will build up on the surface and soil organisms (bacteria, fungi, protozoa, nematodes, etc.) will populate the slit layer and sand bed. The silt will enhance pollutant filtration while the organisms may be responsible for some biological treatment and some filtration by formation of a biofilm. Over time, either may decrease the sand filter infiltration rate sufficient to require removal and replacement of some to all of the media. A large sand filter will treat more of the annual flow than will a basic sand filter and will therefore remove more pollutant load on an annual basis. Increasing the sand thickness will not appreciably improve performance.

The following design procedures, requirements, and recommendations cover two sand filter sizes: a basic size and a large size. The **basic sand filter** is designed to meet the Basic WQ menu goal of 80% TSS removal. The **large sand filter** is expected to meet the Enhanced Basic WQ menu goal of > 30% reduction of dissolved copper and > 60% removal of dissolved zinc, and the Sensitive Lake Protection menu goal of 50% total phosphorus removal.

### Applications and Limitations

A sand filter may be used in most residential, commercial, and industrial developments where *site* topography and drainage provide adequate hydraulic head to operate the filter. *An elevation difference of about 4 feet between the inlet and outlet of the filter is usually needed to install a sand filter.*

Landscaping may be somewhat constrained because the vegetation capable of surviving in sand and not interfering with sand filter operation, maintenance, or longevity is limited. Trees and shrubs which generate a large leaf fall shall be avoided in the immediate vicinity of the filter because leaves and other debris can clog the surface of the filter.

Sand filters are designed to prevent water from backing up into the sand layer (the underdrain system must drain freely). Therefore, a sand filter is more **difficult to install, and may not be suitable, in areas with high water tables** where groundwater could potentially flood the underdrain system. Water standing in the

underdrain system will also keep the sand saturated. Under these conditions, oxygen can be depleted, releasing pollutants such as metals and phosphorus that are more mobile under anoxic conditions.

Sand filter discharge must be by gravity, and must not rely on a pump system. If the pump fails, the sand will become saturated, create anoxic conditions, and release pollutants. Pumped inflow is only allowed for privately maintained systems meeting the criteria in Section 4.2.3.

Because the surface of the sand filter will clog from sediment and other debris, this facility **should not be used in areas where heavy sediment loads are expected**. A sand filter should not be used during construction to control sediments unless the sand bed is replaced periodically during construction and after the *project site* is stabilized.

*Consult the water quality menus in Section 6.1 for information on how basic and large sand filters may be used to meet Core Requirement #8.*

### 6.5.2.1 METHODS OF ANALYSIS

This section presents the methods of analysis for both **basic and large sand filters**.

A sand filter is designed with two parts: (1) a **temporary storage reservoir** to store runoff, and (2) a **sand filter bed** through which the stored runoff must percolate. Usually the storage reservoir is simply placed directly above the filter, and the floor of the reservoir pond is the top of the sand bed. For this case, the storage volume also determines the hydraulic head over the filter surface, which increases the rate of flow through the sand.

The **modeled routing method** described below uses the approved continuous runoff computer model to determine sand filter area and pond size based on individual *site* conditions. The method includes parameters for sizing either a basic or a large sand filter.

#### Background

There are several variables used in sand filter design which are similar and often confused, even by well-trained individuals. Use of these variables is explained below.

The sand filter design is based on Darcy's law:

$$Q = KiA \quad (6-19)$$

where  $Q$  = WQ design flow (cfs)  
 $K$  = hydraulic conductivity (fps)  
 $A$  = surface area perpendicular to the direction of flow (sf)  
 $i$  = hydraulic gradient (ft/ft) for a constant head and constant media depth, computed as follows:

$$i = \frac{h + l}{l} \quad (6-20)$$

where  $h$  = average depth of water above filter (ft), defined for this design as  $d/2$   
 $d$  = maximum storage depth above filter (ft)  
 $l$  = thickness of sand media (ft)

Although it is not seen directly, Darcy's law underlies the modeled routing design method.  $V$  is the direct input in the sand filter design. The relationship between  $V$  and  $K$  is revealed by equating Darcy's law and the equation of continuity,  $Q = VA$ .

*Note: When water is flowing into the ground,  $V$  is commonly called the **filtration rate**. It is ordinarily measured in a percolation test.*

Specifically:

$$Q = KiA \quad \text{and} \quad Q = VA$$

So,

$$VA = KiA \quad \text{or} \quad V = Ki \quad (6-21)$$

Note that  $V \neq K$ —that is, the filtration rate is not the same as the hydraulic conductivity, but they do have the same units (distance per time).  $K$  can be equated to  $V$  by dividing  $V$  by the hydraulic gradient  $i$ , which is defined above in Equation 6-20.

The hydraulic conductivity  **$K$  does not change with head** nor is it dependent on the thickness of the media, only on the characteristics of the media and the fluid. The hydraulic conductivity of 1 inch per hour ( $2.315 \times 10^{-5}$  fps) used in this design is based on bench-scale tests of conditioned rather than clean sand. This design hydraulic conductivity represents the average sand bed condition as silt is captured and held in the filter bed.<sup>40</sup>

Unlike the hydraulic conductivity, the filtration rate  **$V$  changes with head and media thickness**, although the media thickness is constant in the sand filter design.

### Modeled Routing Method

The modeled routing method allows the designer to optimize filter geometry and sizing to meet specific *site* conditions. The modeled method requires a trial and error solution using the approved model to route the developed inflow runoff time series through various sand filter configurations until the amount of runoff that passes through the filter media and is treated meets or exceeds the treatment objective defined for the facility. Refer to the approved model's computer software reference manual for specific instructions on using the program. The general design process is described below.

**Step 1: Determine whether a basic or large sand filter is required.** Consult the water quality menus in Section 6.1 to determine the size of filter needed. A basic sand filter is sized so that 91% of the runoff volume will pass through the filter. A large sand filter is sized such that a minimum of 95% of the runoff volume passes through the filter. See Section 6.2.1 for discussion of the WQ design volume.

**Step 2: Prepare the inflow time series.** The developed inflow time series is prepared using the approved model as generally described in Chapter 3. Detailed instructions for preparing the time series can be found in the approved model's computer software reference manual. If the sand filter is upstream of detention, the time series is that of the developed *site*. If the sand filter is downstream of detention, the time series is the outflow time series leaving the detention facility.

*Note: Sand filters located downstream from detention facilities are significantly smaller than those treating runoff before it is detained. Likewise, sand filters receiving flows from Flow Control Duration Standard detention facilities are smaller than those below Peak Rate Flow Control facilities.*

**Step 3: Determine whether the sand filter will be on-line or off-line.** For most WQ facilities, the designer may choose to design the facility as either on-line (all flow goes through the facility) or off-line (flows above the WQ design flow bypass the facility). An off-line sand filter has a high-flow bypass with an upstream flow splitter designed to bypass flows above the WQ design flow (see Section 6.2.5, for more information on flow splitter design).

Note that the WQ design flow rate for the flow splitter is the rate required to pass the WQ volume (basic or large). For the basic sand filter, the rate is reported directly by the approved model (i.e., not modified in

<sup>40</sup> King County has tested various sand mixes conditioned with simulated stormwater to establish realistic design standards. Tests were conducted under falling head conditions in columns containing 18 inches of sand underlain with a 2-inch layer of washed drain gravel containing a section of 2-inch perforated PVC pipe to simulate the underdrain system. Details are given in Koon, John, "Determination of infiltration rate and hydraulic conductivity for various sand filter media." January 1996.



the manner for bioswales in Section 6.2.1); for the large sand filter, derive the rate from the ratio of the basic and large water quality volumes. The basic sand filter uses the 91% runoff volume as the water quality design volume, corresponding to a 2-year return interval peak flow from the approved continuous model. The large sand filter design flow can be calculated by increasing the 2-year return interval peak flow by the ratio of the 95% runoff volume (water quality design volume for the large sand filter) and the 91% runoff volume (water quality design volume for the basic sand filter). In equation form,

$$\begin{array}{l} \text{Design Flow} \\ \text{Rate for} \\ \text{Large Sand} \\ \text{Filter} \end{array} = \frac{\text{(95\% Runoff Volume)}}{\text{(91\% Runoff Volume)}} \times \begin{array}{l} \text{2-year return} \\ \text{interval peak flow} \end{array} \quad (6-22)$$

**Step 4: Define sand filter modeling parameters.** Sand filters can be sized in WWHM using the sand filter element, or in MGS Flood using the infiltration pond element with the Sand Filter Data tab. Follow the guidance in the approved model's reference manual and apply the additional guidance below for the parameters required for the analysis:

1. The surface area of the filter computed by the approved model using inputs of the bottom length and width of the infiltration pond (ft).
2. Maximum water depth over filter: depth at which runoff begins to overflow the sand filter
3. Permeable surfaces: bottom only.
4. Riser and orifice information:
  - Riser head: same as the maximum water depth.
  - Number of orifices: zero. All runoff will either percolate through sand or overflow the riser.
  - Top of riser: flat.
5. Vertical infiltration: Assume a *design filtration rate* of 1 inch per hour. Though the sand specified below will initially infiltrate at a much higher rate, that rate will slow as the filter accumulates sediment. When the filtration rate falls to 1 inch per hour, removal of sediment is necessary to maintain rates above the rate assumed for sizing purposes.

**Step 5: Size the sand filter.** Follow the facility sizing guidance in the approved model's reference manual to input the preliminary design configuration of the sand filter.

**Step 6: Route the inflow time series through the sand filter and compare volumes.** Compare the volume percentage passing through the filter with the percentage required for the treatment volume (91% or 95%). The approved model calculates the routed volume percentage for the comparison.

- If the volume percentage of water passing through the filter exceeds the design treatment volume percentage, decrease the bottom area of the facility. Repeat this step until the desired performance is achieved.
- If the volume percentage of water passing through the filter is less than the design treatment volume percentage, increase the bottom area until the desired performance is achieved.

**Step 7: Size the underdrain system.** The underdrain system is sized to convey the peak filtered flows to the outlet. For the **basic** sand filter, the **central collector pipe(s)** shall be sized to convey, at a minimum, the 2-year return frequency flow into the facility using the KCBW program's backwater analysis techniques described in Chapter 4.

For **large** sand filter design, the design flows for the underdrain collector pipe(s) **must be increased** from the basic sand filter, which uses the 91% runoff volume as the water quality design volume, corresponding to a 2-year return interval peak flow from the approved continuous model. For the large sand filter, the underdrain design flow can be calculated by increasing the 2 year return interval peak flow by the ratio of

the 95% runoff volume (water quality design volume for the large sand filter) and the 91% runoff volume (water quality design volume for the basic sand filter). In equation form:

$$\begin{array}{l} \text{Design Flow Rate} \\ \text{for Large Sand} \\ \text{Filter Underdrain} \end{array} = \frac{\text{(95\% Runoff Volume)}}{\text{(91\% Runoff Volume)}} \times \begin{array}{l} \text{2-year return} \\ \text{interval peak flow} \end{array} \quad (6-23)$$

To simplify the analysis, all flows for basic and large sand filters may be assumed to enter the collector pipe at the upstream end. Typically, the collector pipe will not be inlet controlled, so a simple square inlet type may be assumed. The full head of the facility may be utilized to convey flows through the pipe.

**Feeder pipes** may be sized using the design criteria in “Underdrain Systems” instead of analyzing the conveyance capacity as described above.

**Strip drains** must be analyzed for conveyance per manufacturer’s specifications.

**Intent:** The underdrain must be able to remove standing water from beneath the sand. If standing water remains, the sand will remain saturated. This could cause reducing conditions in the sand, allowing some pollutants to become mobile and be released from the filter to downstream receiving waters.

## 6.5.2.2 DESIGN CRITERIA

Schematic representations of a sand filter are shown in Figure 6.5.2.A, Figure 6.5.2.B, Figure 6.5.2.C, and Figure 6.5.2.D.

### Sand Filter Geometry

1. **Any shape** sand bed may be used, including circular or free-form designs.

*Note: The treatment process is governed by **vertical** flow, so short-circuiting is not a concern as it is in wetponds.*

2. **Sand depth** (*l*) shall be 18 inches (1.5 feet) minimum.
3. **Depth of storage** over the filter media (*d*) shall be 6 feet maximum.

### Pretreatment, Flow Spreading, and Energy Dissipation

1. See general presettling and pretreatment requirements for filtration facilities in Section 6.5.1.
2. A **flow spreader** shall be installed at the inlet along one side of the filter to evenly distribute incoming runoff across the filter and prevent erosion of the filter surface. See Section 6.2.6 for details on flow spreaders.
  - a) **If the sand filter is curved or an irregular shape**, a flow spreader shall be provided for a minimum of 20 percent of the filter perimeter.
  - b) If the **length-to-width ratio** of the filter is 2:1 or greater, a flow spreader must be located on the longer side and for a **minimum length** of 20 percent of the facility perimeter.
  - c) In other situations, use good engineering judgment in positioning the spreader.
3. **Erosion protection** shall be provided along the first foot of the sand bed adjacent to the flow spreader. Geotextile meeting the specifications in WSDOT Standard Specifications, 9-33.2(1) Geotextile Properties/Table 1/Moderate Survivability/Woven, and Table 2, Class A, weighted with sand bags at 15-foot intervals may be used. Quarry spalls may also be used.

## Overflow and Bypass Structures

1. **On-line filters**<sup>41</sup> shall be equipped with **overflows** (primary, secondary, and emergency) in accordance with the design criteria for detention ponds (see Section 5.1.1.1, criteria for “Overflow” and “Emergency Overflow Spillway”).

*Note: The primary overflow may be incorporated into the emergency spillway in cases where the spillway discharges into a downstream detention facility, or where overflows can be safely controlled and redirected into the downstream conveyance system.*

2. For **off-line filters**, the outlet structure for the **basic** sand filter must be designed to pass the 2-yr peak inflow rate, as determined using the approved model with 15-minute time steps calibrated to specific *site* conditions.

For **large** sand filter design, the design flows for the overflow **must be increased** from the basic sand filter, which uses the 91% runoff volume as the water quality design volume, corresponding to a 2-year return interval peak flow from the approved continuous model. For the large sand filter, the overflow design flow can be calculated by increasing the 2 year return interval peak flow by the ratio of the 95% runoff volume (water quality design volume for the large sand filter) and the 91% runoff volume (water quality design volume for the basic sand filter). In equation form:

$$\begin{array}{l} \text{Design Flow} \\ \text{Rate for Large} \\ \text{Sand Filter} \\ \text{Overflow} \end{array} = \frac{\text{(95\% Runoff Volume)}}{\text{(91\% Runoff Volume)}} \times \begin{array}{l} \text{2-year return} \\ \text{interval peak flow} \end{array} \quad (6-24)$$

**Intent:** Overflow capacity is required for low-flow, high-volume storms which may exceed the storage capacity of the filter.

3. To the extent base flow conditions can be identified, **base flow** must be bypassed around the filter to keep the sand from remaining saturated for extended periods of time.

## Filter Composition

A sand filter consists of three or four layers:

- Top layer (optional): grass seed or sod grown in sand
- Second layer: sand
- Third layer: geotextile fabric
- Fourth layer: underdrain system.

## Sand Specifications

The sand in a filter shall consist of a medium sand with few fines meeting the size gradation (by weight) given in Table 6.5.2.A. The contractor must obtain a grain size analysis from the supplier to certify that the No. 100 and No. 200 sieve requirements are met.

*Note: Many sand mixes supplied locally meet this specification. However, standard backfill for sand drains (as specified in the Washington Standard Specifications 9-03.13) does not meet this specification and shall not be used for sand filters.*

<sup>41</sup> Whether a WQ facility is designed as on-line (all flow going through the facility) or off-line (high flows bypassing the facility) is a choice made by the designer. Section 6.2.5 contains information on flow splitters for WQ facilities.

TABLE 6.5.2.A SAND MEDIA SPECIFICATIONS	
U.S. Sieve Size	Percent Passing
U.S. No. 4	95 to 100 percent
U.S. No. 8	70 to 100 percent
U.S. No. 16	40 to 90 percent
U.S. No. 30	25 to 75 percent
U.S. No. 50	2 to 25 percent
U.S. No. 100	Less than 4 percent
U.S. No. 200	Less than 2 percent

### Geotextile Materials

Geotextile material requirements are specified in WSDOT Standard Specifications, 9-33.2(1) Geotextile Properties/Table 1/Moderate Survivability/Woven, and Table 2, Class A.

### Underdrain Systems

1. Several **underdrain systems** are acceptable:

- A central collector pipe with lateral feeder pipes in an 8-inch drain rock bed
- A central collector pipe with a geotextile drain strip in an 8-inch drain rock bed
- Longitudinal pipes in an 8-inch drain rock bed, with a collector pipe at the outlet end.

In smaller installations a single perforated pipe in 8 inches of drain rock may be adequate.

2. The **maximum perpendicular distance** between any two feeder pipes, or the edge of the filter and a feeder pipe, shall be 15 feet.

**Intent:** This spacing is required to prevent the underdrain system from backing up into the sand filter during the early life of the filter when high filtration rates exist.

3. All pipe shall be placed with a **minimum slope** of 0.5%.

4. The **invert of the underdrain outlet** shall be above the seasonal high groundwater level. The *seasonal high groundwater level* is the highest elevation of groundwater observed.

**Intent:** The underdrain must be able to remove standing water from beneath the sand. If standing water remains, the sand will remain saturated. This could cause depletion of dissolved oxygen and reducing conditions in the sand, allowing some pollutants to become mobile and be released from the filter to downstream receiving waters.

5. **Cleanout** wyes with caps or junction boxes shall be provided at both ends of all collector pipes. Cleanouts shall extend to the surface of the filter.

a) A valve box must be provided for access to the cleanouts.

b) The cleanout assembly must be watertight to prevent short circuiting of the filter.

**Intent:** Caps are required on cleanout wyes to prevent short-circuiting of water into the underdrain system when the pond fills with water.

6. If a **drain strip** is used for lateral drainage, the strip must be placed at the slope specified by the manufacturer but at least at 0.5%. All drain strip must extend to the central collector pipe. Drain strips installations must be analyzed for conveyance because manufactured products vary in the amount of flow they are designed to handle.

- At least 8 inches of drain rock must be maintained over all underdrain piping or drain strip, and 6 inches must be maintained on either side to prevent damage by heavy equipment during maintenance.

*Note: If drain strip is used, it may be easier to install the central collector pipe in an 8-inch trench filled with drain rock, making the cover over the drain strip and the collector pipe the same thickness. In this case the pipe shall be wrapped with geotextile to prevent clogging. Use the same geotextile specification as given in WSDOT Standard Specifications, 9-33.2(1) Geotextile Properties/Table 1/Moderate Survivability/Woven, and Table 2, Class A.*

- A **geotextile fabric** shall be used between the sand layer and the drain rock and be placed so that one inch of drain rock is above the fabric.

**Intent:** The position of the geotextile fabric provides a **transition layer** of mixed sand and drain rock. A distinct layer of finely textured sand above a coarser one may cause water to pool at the interface and not readily drain downward due to the greater capillary forces in the finer material.

- Sand filters shall not be used in combination with a downstream pump system.

**Intent:** Sand filters are designed to prevent water from backing up into the sand layer; the underdrain system must drain freely. If the pump fails, the sand will become saturated, create anoxic conditions, and release pollutants.

### Underdrain Materials

- Underdrain **pipe** shall be minimum 6 inch diameter perforated PVC, SDR 35. One acceptable specification for perforations is as follows: 2 rows of holes ( $1/2$ -inch diameter) spaced 6 inches apart longitudinally (max), with rows 120 degrees apart (laid with holes downward). Other drain pipe may be used if it adequately drains the filter.
- Drain rock** shall be  $1\frac{1}{2}$ - to  $3/4$ -inch rock, washed and free from clay or organic material.
- If a geotextile drain strip system is used, the attached **geotextile fabric** should not be used, or the fabric side should be positioned away from the sand blanket. Geotextile is already required between the sand and drain rock layers, and must meet the specifications in WSDOT Standard Specifications, 9-33.2(1) Geotextile Properties/Table 1/Moderate Survivability/Woven, and Table 2, Class A, to avoid clogging the filter prematurely.

### Access Roads and Setbacks

- An access road shall be provided to the inlet and outlet of a sand filter for inspection and maintenance purposes. Requirements for access roads are the same as for detention ponds (see Section 5.1.1.1, “Design of Access Roads” and “Construction of Access Roads”).
- The location of the facility relative to **site** constraints (e.g., buildings, property lines, etc.) shall be the same as for detention ponds (see Section 5.1.1) except as noted in 3, below. See Section 6.2.3 for typical setback requirements for WQ facilities.
- For a sand filter that infiltrates to ground, setbacks shall be same as those for infiltration ponds, (see Section 5.2.2).

### Grass Cover

- No top soil** shall be added to sand filter beds because fine-grained materials (e.g., silt and clay) reduce the hydraulic capacity of the filter.
- Growing grass** will require selecting species that can tolerate the demanding environment of the sand bed. Sand filters experience long periods of saturation during the winter wet season, followed by extended dry periods during the summer. Modeling predicts that sand filters will be dry about 60 percent of the time in a typical year. Consequently, vegetation must be capable of surviving drought as well as wetness.

- The grasses and plants listed in Table 6.5.2.B are good choices for pond sides. They are facultative (i.e., they can tolerate fluctuations in soil water). These species can generally survive approximately 1 month of submersion while dormant in the winter (until about February 15), but they can withstand only about 1 to 2 weeks of submersion after mid-February.
  - The lower portion of Table 6.5.2.B lists grass species that are good choices for the sand filter bottom. They can withstand summer drying and are fairly tolerant of infertile soils. In general, planting a mixture of 3 or more species is recommended. This ensures better coverage since tolerance of the different species is somewhat different, and the best adapted grasses will spread more rapidly than the others. Legumes, such as clover, fix nitrogen and hence can thrive in low-fertility soils such as sands. This makes them particularly good choices for planting the sand filter bed.
3. To prevent any use that could compact and potentially damage the filter surface, both **permanent and temporary structures** (e.g., playground equipment or bleachers) are not permitted.
  4. If the sand filter is located in a Sensitive Lake Protection Area, or discharges to a stream that is listed as a Dissolved Oxygen (DO) Problem (Type 2) under “Downstream Water Quality Problems Requiring Special Attention” (Section 1.2.2.1.2) and the problem cause has been identified as nutrient loading, then low phosphorus fertilizers (such as formulations in the proportion 3:1:3 N-P-K or less) or slow-release phosphorus formulations should be used, and at no more than the minimum agronomic rate. Regardless of location, the fertilizer must meet the requirements of Chapter 15.54.500 RCW limiting the use of fertilizer containing phosphorus.

<b>TABLE 6.5.2.B RECOMMENDED PLANTS FOR SATURATED AREAS</b>	
<b>RECOMMENDED PLANTS FOR POND SIDES</b>	
<b>Scientific Name</b>	<b>Common Name</b>
<i>Bromus carinatus</i>	California brome
<i>Calamagrostis nutkaensis</i>	Pacific reed grass
<i>Deschampsia caespitosa</i>	Tufted hairgrass
<i>Distichlis spicata</i>	Saltgrass
<i>Glyceria borealis</i>	Northern mannagrass
<i>Poa palustris</i>	Fowl bluegrass
<i>Juncus ensifolius</i>	Daggerleaf rush
<i>Juncus patens</i>	Spreading rush
<i>Juncus tenuis</i>	Poverty rush
<b>RECOMMENDED PLANTS FOR POND BOTTOM (SAND SURFACE)</b>	
<i>Agrostis tenuis</i>	Colonial bentgrass (Highland strain good)
<i>Festuca brevipila</i>	Hard fescue
<i>Festuca elatior</i> “Many Mustang,” “Silverado”	Dwarf tall fescues
<i>Festuca ovina</i>	Sheep fescue
<i>Festuca rubra</i> var. <i>rubra</i>	Red fescue
<i>Koeleria macrantha</i>	Prairie junegrass
<i>Lolium perenne</i>	Perennial ryegrass
<i>Lupinus rivularis</i>	Riverbank lupine
<i>Note: Other grasses may be used if recommended by a horticultural or erosion control specialist for the specific site.</i>	

## Recommended Design Features

The following design features should be incorporated into sand filter designs where *site* conditions allow:

1. A **horticultural specialist** should be consulted for advice on planting.
2. **Seeding** is best performed in fall (late September to October) or in spring (mid-March to June). For summer seeding or seeding during dry conditions, sprinkler systems or other measures for watering the seed must be provided. Soil temperatures should be between 50 and 65 degrees to allow for seed germination of cool season grasses.
3. Seed should be applied at 80 to 100 seeds per square foot. Pounds of seed per acre will depend on actual species composition as number of seeds vary dramatically by species per pound.
4. During seeding, Slow-release **fertilizers** may be applied to speed the growth of grass. If the sand filter is located in a sensitive lake watershed or discharges to a stream that is listed as a Dissolved Oxygen (DO) Problem (Type 2) under “Downstream Water Quality Problems Requiring Special Attention” (Section 1.2.2.1.2) and the problem cause has been identified as nutrient loading, then low phosphorus fertilizers (such as formulations in the proportion 3:1:3 N-P-K or less) or slow-release phosphorus formulations should be used, and at no more than the minimum agronomic rate. Regardless of location, the fertilizer must meet the requirements of Chapter 15.54.500 RCW limiting the use of fertilizer containing phosphorus.
5. A sand filter can add landscape interest and may be incorporated into the project **landscape design**. Interior side slopes may be stepped with flat areas for planting (Figure 6.5.2.E). Perennial beds may be planted above the overflow water surface elevation. However, large shrubs and trees are not allowed because falling leaves and needles can clog the filter surface, requiring more frequent maintenance, and roots may damage the structure and/or function of the filter.

*Note: Examples of areas with stepped side slopes can be found at the Ballard Locks in Seattle and at Luther Burbank Park on Mercer Island.*

6. Recreational use of the filter surface is not allowed as activity can disrupt the structure and function of the filter media. Signage discouraging recreation is required. Signage shall be placed for maximum visibility from adjacent streets, sidewalks, and paths. More than one sign may be required to be sure the advisory will be noted by anyone approaching the facility.

## Construction Considerations

1. If sand filters are put into service before construction of all parcels within the catchment is complete and all disturbed soil in the sand filter catchment has been stabilized, the filter will very likely clog prematurely. If individual lots are not stabilized, the options for **protection from upstream erosion** given in Section 5.2.1 for infiltration ponds may be used.

An **alternative** is to install the sand filter pond including full excavation for the filter sand and underdrain layers, delaying placement of the sand and underdrains until the *project site* is stabilized. The partially complete sand filter will then function like a small wetpond. Later, the accumulated sediment must be removed and the underdrain with gravel, geotextile separator, and sand layers placed. A second alternative is to place only the gravel underdrain during the construction phase. Then clean the gravel and place the geotextile separator and sand layer after the *project site* is stabilized.

The City will not assume maintenance responsibility or release financial guarantees unless the sand filter is installed per design and functioning properly. If the final sand layer cannot be completed before the typical two-year holding period for financial guarantees, the applicant may elect to pay the City to clean and install the sand when the watershed is stabilized, or may arrange a smaller financial guarantee specifically for completion of the sand filter.

2. **Careful placement of the sand** is necessary to avoid formation of voids within the sand that could lead to short-circuiting, particularly around penetrations for underdrain cleanouts, as well as to prevent

damage to the underlying geomembranes and underdrain system. Voids between the trench wall and geotextile fabric should also be avoided.

3. **Over compaction must be avoided** to ensure adequate filtration capacity. Sand is best placed with a low ground pressure tracked bulldozer (4.6 pounds per square inch or less ground pressure). The number of passes over sand fill should be minimized during placement; using low ground-pressure vehicles can minimize ground pressure and compaction.
4. After the sand layer is placed, water settling is recommended. Flood the sand with 10 to 15 gallons of water per cubic foot of sand.

### **Maintenance Considerations**

Sand filters are subject to clogging by fine sediment, oil and grease, and other debris (e.g., trash and organic matter such as leaves). Filters and pretreatment facilities should be inspected every 6 months during the first year of operation. Inspections should also occur immediately following a storm event to assess the filtration capacity of the filter. Once the filter is performing as designed, the frequency of inspection may be reduced to once per year.

During an inspection the following features should be evaluated and maintained as needed:

1. Remove debris and sediment from the pretreatment facility when depth exceeds 12 inches.
2. Remove debris and sediment from the surface of the filter when accumulations exceed 0.5 inches.
3. Observe operation of the overflow and drawdown time in the filter. Frequent overflow through the grated “birdcage” or “jailhouse” window into the outlet structure or slow drawdown are indicators of plugging problems. Under normal operating conditions, a sand filter should completely empty within 9 to 24 hours following a storm event (i.e., after the inflow of runoff to the filter ceases), depending on pond depth. Generally, if the water level over the filter drops at a rate less than  $\frac{1}{2}$ -inch per hour ( $V < \frac{1}{2}$ -inch per hour), corrective maintenance is needed. Recommendations for improving sand filter performance are summarized below:
  - a) Remove thatch accumulation in grass.
  - b) Aerate the filter surface to improve permeability.
  - c) Till the filter surface. Two separate passes following a criss-cross pattern (i.e., second pass at right angles to the first) are recommended.
  - d) Replace upper 4 to 6 inches of grass and sand.
4. Experience with sand filters used for stormwater treatment in Austin, Texas, has shown that the sand becomes clogged and must be replaced every 4 to 10 years.
5. Rapid drawdown in the filter (i.e., greater than 12 inches per hour) indicates short-circuiting of the filter media. Inspect the cleanouts on the underdrain pipes and along the base of the embankment for leakage.
6. Formation of rills and gullies on the surface of the filter indicates improper function of the inlet flow spreader or poor sand compaction. Check for accumulation of debris on or in the flow spreader, and refill rills and gullies with sand.

**Other maintenance practices** that should be employed to ensure proper operation of the sand filter are summarized below:

1. Avoid use of fertilizers along the bottom or sides of a landscape sand filter. Any fertilizer used must meet the requirements of Chapter 15.54.500 RCW limiting the use of fertilizer containing phosphorus.<sup>42</sup>

---

<sup>42</sup> <<http://apps.leg.wa.gov/billinfo/summary.aspx?bill=1489&year=2011>>.



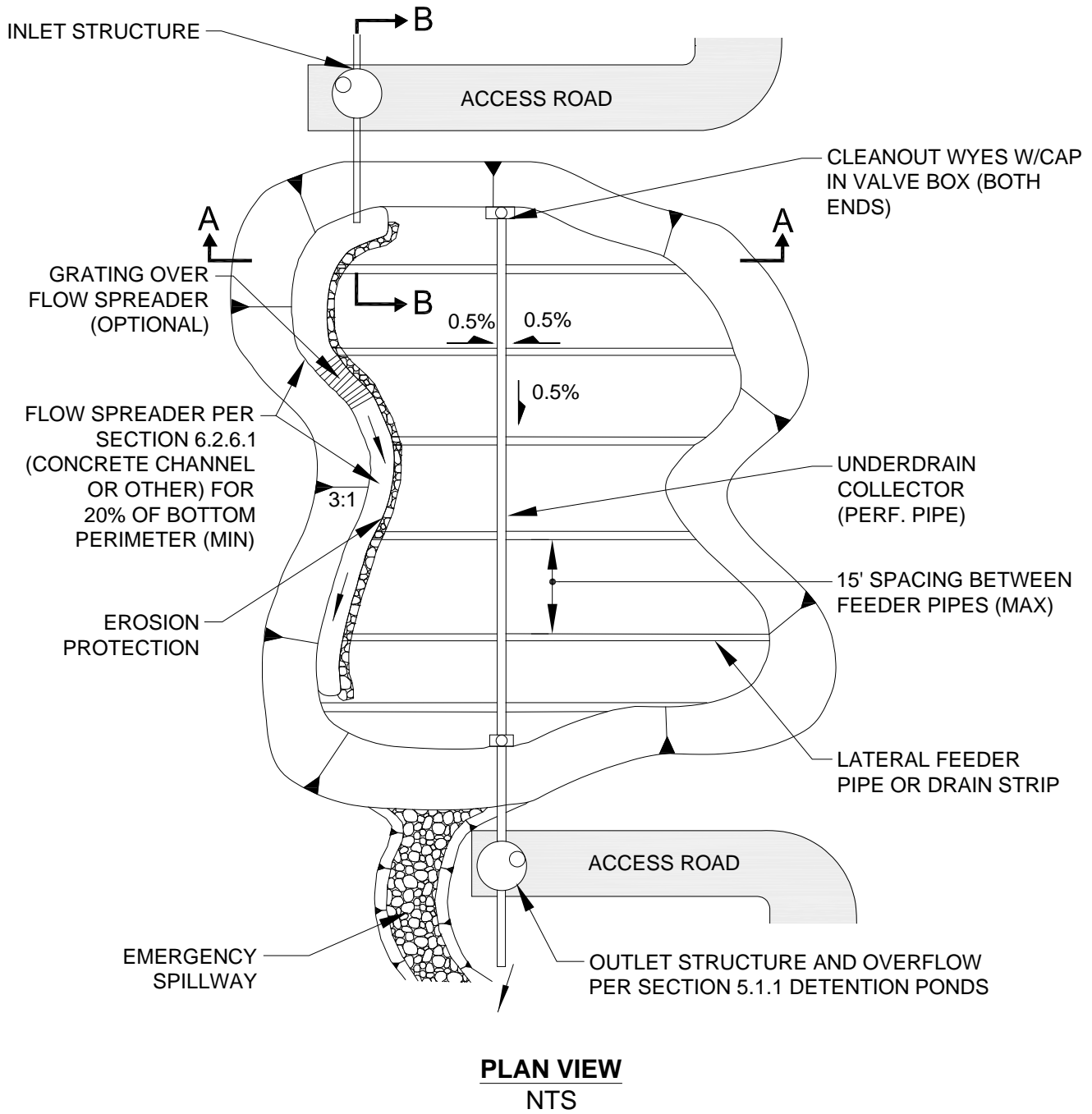
2. Avoid driving heavy machinery or equipment on the sand filter to minimize compaction of the filter media, prevent the formation of ruts in the surface of the filter that could concentrate or channelize flow, and prevent damage to the underdrain system. Use only low ground pressure tracked equipment (4.6 pounds per square inch or less ground pressure). The number of passes over sand fill should be minimized to the greatest extent possible.
3. Mow grass as needed, and remove the cut grass from the sand filter.
4. If vegetation is present, water it periodically when needed, especially during the summer dry season.
5. Discourage use of the sand bed by pets by installing signs reminding residents of scoop laws, providing scoop stations near the facilities, planting barriers such as barberry, and/or providing other measures as appropriate.

#### ❑ MODIFICATIONS FOR COMBINING WITH AN INFILTRATION POND

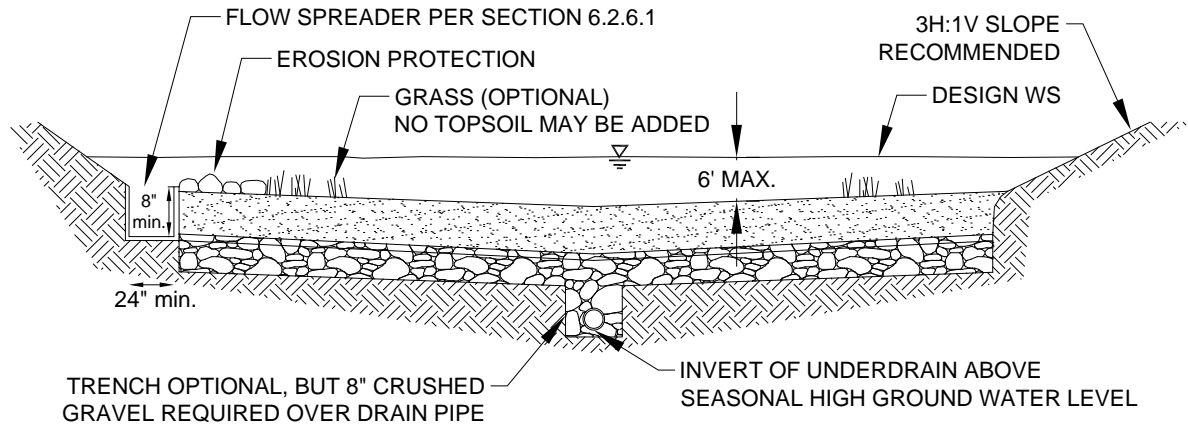
Where an infiltration pond is proposed for flow control, a sand filter (basic or large) may be combined with the infiltration pond by making the following modifications in design criteria:

1. The “**100-year Overflow Conveyance**” requirements for infiltration ponds (see Section 5.2.1) shall apply in place of the “**Overflow and Bypass**” requirements for sand filters.
2. The “**Filter Composition**” criteria are changed to eliminate the requirement for an underdrain system. The fourth layer of the filter becomes the native infiltrative soils.
3. The “**Underdrain System**” and “**Underdrain Materials**” criteria for sand filters are not applied. Water infiltrating through the sand layer need not be collected but may simply continue infiltrating downward into native soils.
4. The sides of the infiltration pond must be provided with a **treatment liner** up to the WQ design water surface elevation, at a minimum. In a groundwater protection area, the liner must extend up to the overflow water surface elevation of the pond. See Section 6.2.4 (Facility Liners) for information on liners.

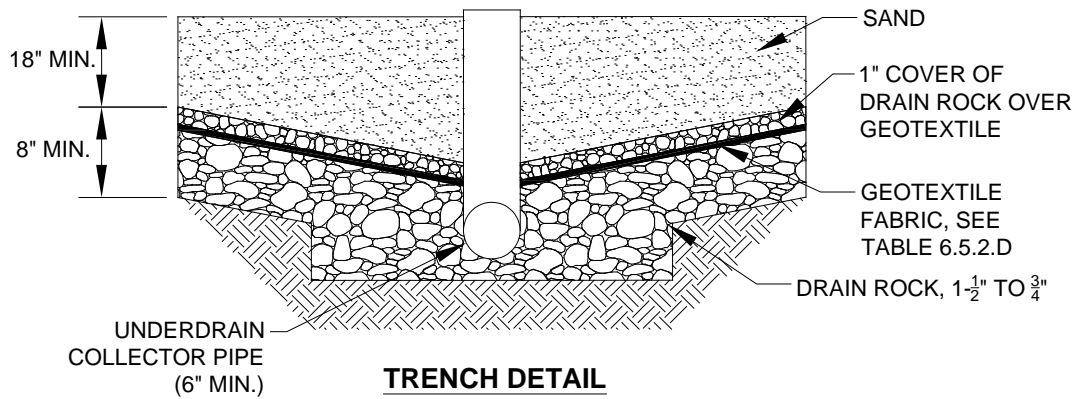
**FIGURE 6.5.2.A SCHEMATIC REPRESENTATION OF A SAND FILTER WITH LEVEL SPREADER  
PLAN VIEW**



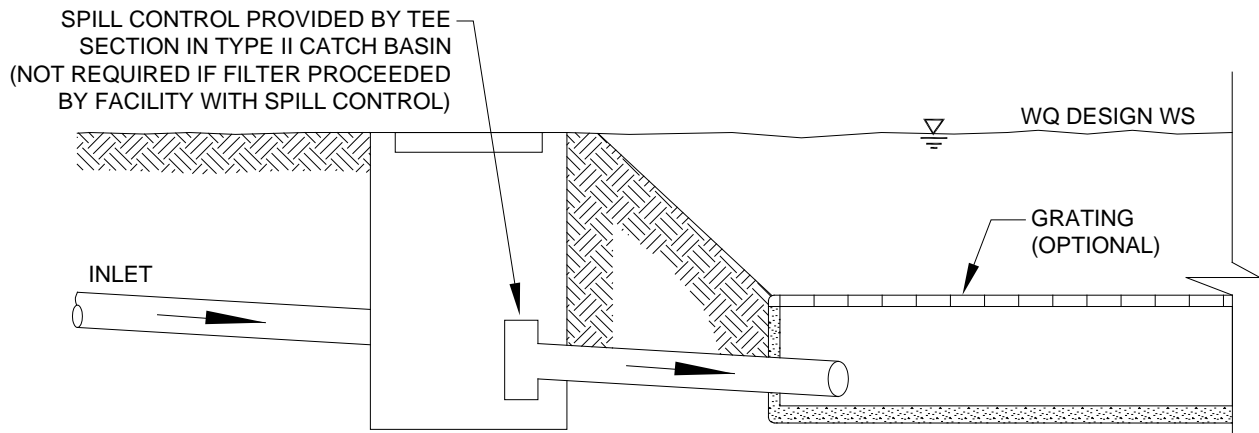
**FIGURE 6.5.2.B SCHEMATIC REPRESENTATION OF A SAND FILTER WITH LEVEL SPREADER PROFILE VIEW**



**SECTION A-A**  
NTS

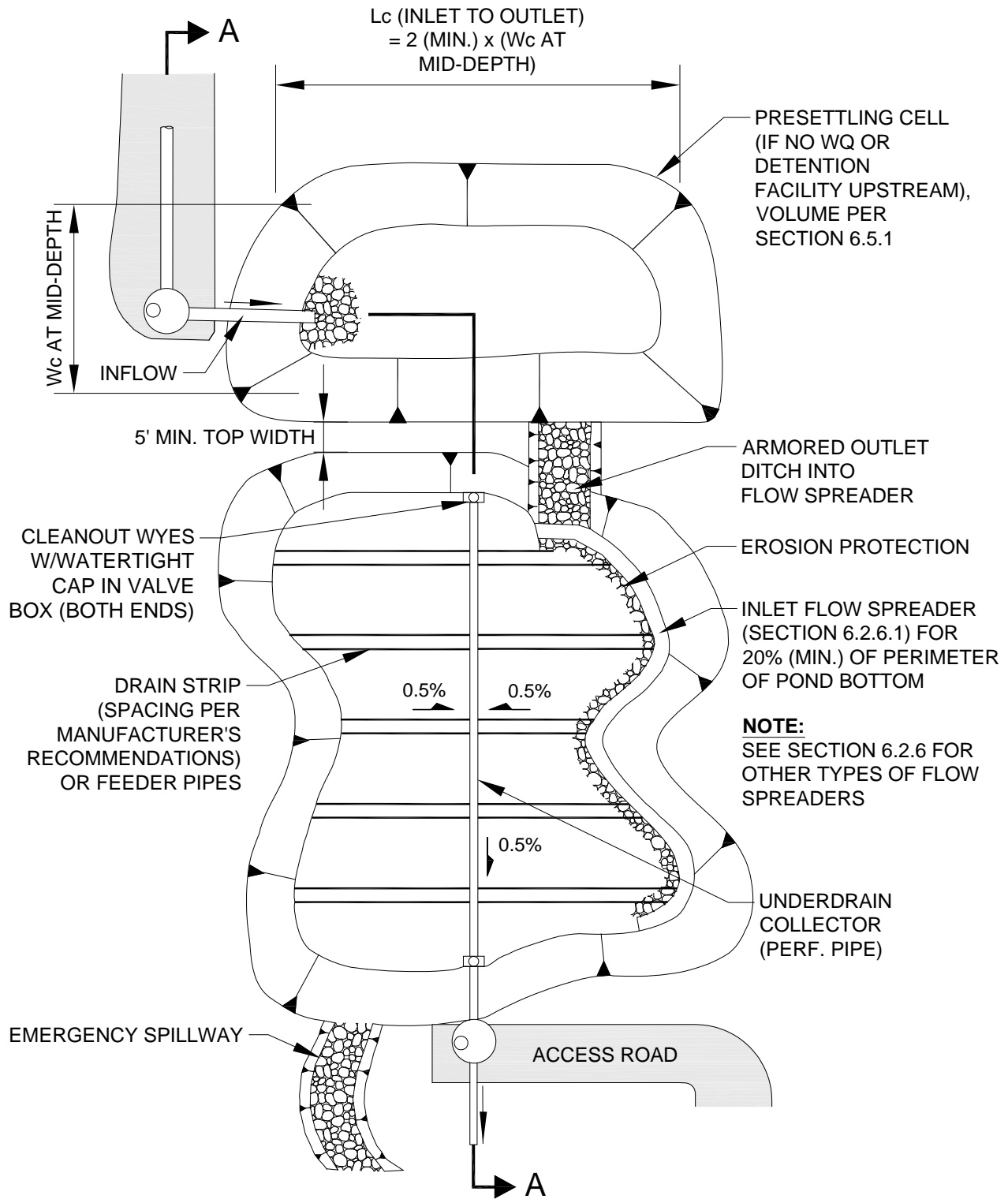


**TRENCH DETAIL**  
NTS



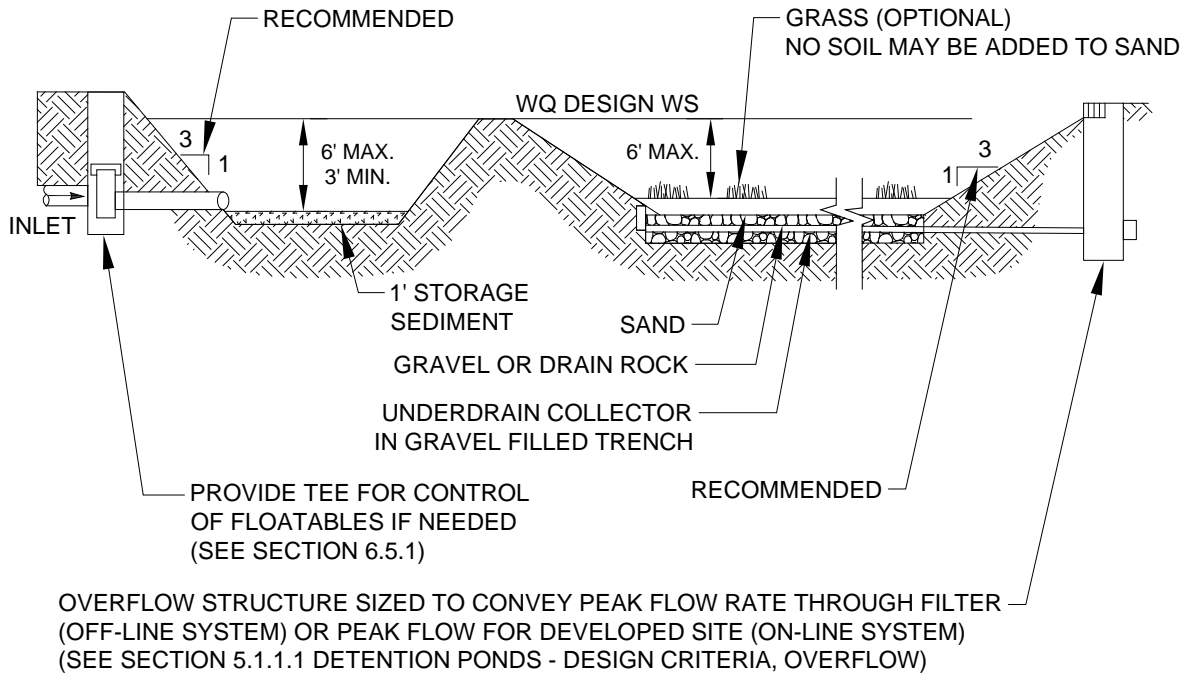
**SECTION B-B**  
NTS

**FIGURE 6.5.2.C SCHEMATIC REPRESENTATION OF A SAND FILTER WITH PRETREATMENT CELL PLAN VIEW**



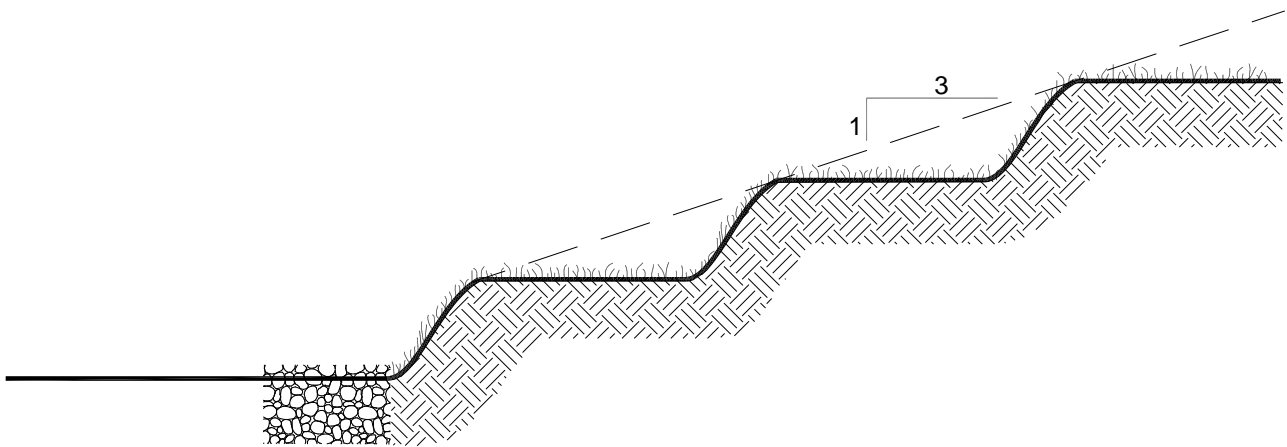
**PLAN VIEW**  
NTS

**FIGURE 6.5.2.D SCHEMATIC REPRESENTATION OF A SAND FILTER WITH PRETREATMENT CELL PROFILE VIEW**



**SECTION A-A**  
NTS

**FIGURE 6.5.2.E SCHEMATIC REPRESENTATION OF STEPPED SIDE SLOPES**



**SECTION**  
NTS

### 6.5.3 SAND FILTER VAULTS

A *sand filter vault* is similar to an open sand filter except that the sand layer and underdrains are installed below grade in a vault. Like a sand filter, a sand filter vault may be sized as either a basic or a large facility to meet different water quality objectives. The **basic sand filter vault** is designed to meet the Basic WQ menu goal of 80% TSS removal for the water quality design flow. The **large sand filter vault** is expected to meet the Sensitive Lake Protection menu goal of 50% total phosphorus removal.

#### Applications and Limitations

A sand filter vault may be used on *sites* where **space limitations preclude the installation of above ground facilities**. In highly urbanized areas, particularly on redevelopment and infill projects, a vault is a viable alternative to other treatment technologies that require more area to construct.

Like sand filters, sand filter vaults are **not suitable for areas with high water tables** where infiltration of groundwater into the vault and underdrain system will interfere with the hydraulic operation of the filter. Soil conditions in the vicinity of the vault installation should also be evaluated to identify special design or construction requirements for the vault.

It is desirable to have an **elevation difference of 4 feet between the inlet and outlet** of the filter for efficient operation. Therefore, *site* topography and drainage system hydraulics must be evaluated to determine whether use of an underground filter is feasible.

Because the surface of a sand filter vault is prone to clogging from sediment and other debris, this facility **should not be used in areas where heavy sediment loads are expected**.

*Refer to the WQ menus, Section 6.1, for information on how sand filter vaults may be used to meet Core Requirement #8.*

#### 6.5.3.1 METHODS OF ANALYSIS

The **methods of analysis** for basic and large sand filter vaults are identical to the methods described for basic and large sand filters. Follow the procedures described in Section 6.5.2.1.

#### 6.5.3.2 DESIGN CRITERIA

Schematic representations of sand filter vaults are shown in Figure 6.5.3.A and Figure 6.5.3.B.

##### Sand Filter Geometry

Same as for sand filters (see Section 6.5.2.2).

##### Pretreatment, Flow-Spreading, and Energy Dissipation

1. See general presettling and pretreatment requirements for filtration facilities, Section 6.5.1.
2. A **flow spreader** shall be installed at the inlet to the filter bed to evenly distribute incoming runoff across the filter and prevent erosion of the filter surface.
3. For **vaults with presettling cells**, the presettling cells shall be constructed so that the **divider wall** extends from the floor of the vault to the WQ design water surface and is water tight.
4. The flow spreader shall be positioned so that the **top of the spreader** is no more than 8 inches above the top of the sand bed (and at least 2 inches higher than the top of the inlet pipe if a pipe and manifold distribution system is used). See Section 6.2.6 for details on flow spreaders. For **vaults with presettling cells**, a **concrete sump-type flow spreader** (see Figure 6.2.6.B) shall be built into or affixed to the divider wall. The sump shall be a minimum of 1 foot wide and extend the width of the sand filter. The downstream lip of the sump shall be no more than 8 inches above the top of the sand bed.

5. Flows shall enter the sand bed by **spilling over the top of the wall into a flow spreader pad**, or alternatively a **pipe and manifold system** may be designed and approved at the discretion of CED to deliver water through the wall to the flow spreader.

*Note: Water in the first or presettling cell is dead storage. Any pipe and manifold system designed must retain the required dead storage volume in the first cell, minimize turbulence, and be readily maintainable.*

6. If a pipe and manifold system is used, the **minimum pipe size** shall be 8 inches. Multiple inlets are recommended to minimize turbulence and reduce local flow velocities.
7. **Erosion protection** shall be provided along the first foot of the sand bed adjacent to the spreader. Geotextile weighted at the corners with sand bags, quarry spalls, or other suitable erosion control may be used.

### Overflow and Bypass Structures

Same as for sand filters (see Section 6.5.2.2).

### Filter Composition

The filter bed shall consist of three layers as follows:

- Top layer: sand
- Second layer: geotextile fabric
- Third layer: underdrain system.

### Sand Specifications and Geotextile Materials

Same as for sand filters (see Section 6.5.2.2).

### Underdrain Systems and Underdrain Materials

Same as for sand filters (see Section 6.5.2.2).

### Vault Structure

1. Sand filter vaults are typically designed as on-line (flow-through) systems with a flat bottom under the filter bed.
2. If a presettling cell is provided, the **cell bottom** may be longitudinally level or inclined toward the inlet. To facilitate sediment removal, the bottom shall also slope from each side towards the center at a minimum of 5%, forming a broad “v.”

*Note: More than one “v” may be used to minimize cell depth.*

**Exception:** The bottom of the presettling cell may be flat rather than v-shaped if **removable panels** are provided over the entire presettling cell. Removable panels shall be at grade, have stainless steel lifting eyes, and weigh no more than 5 tons per panel.

3. One foot (average) of **sediment storage** must be provided in the presettling cell.
4. Where pipes enter and leave the presettling cell below the WQ design water surface, they shall be **sealed** using a non-porous, non-shrinking grout.
5. If an **oil retaining baffle** is used for control of floatables in the presettling cell, it must conform to the following:
  - a) The baffle shall extend from 1 foot above to 1 foot below the WQ design water surface (minimum requirements) and be spaced a minimum of 5 feet horizontally from the inlet and 4 feet horizontally from the outlet.
  - b) Provision for passage of flows in the event of plugging shall be provided.
  - c) An access opening and ladder shall be provided on both sides of the baffle into the presettling cell.

6. Sand filter vaults shall conform to the “**Materials**” and “**Structural Stability**” criteria specified for **detention vaults** in Section 5.1.3.
7. The **arch culvert sections** allowed for wetvaults shall not be used for sand filter vaults. Free access to the entire sand bed is needed for maintenance.

### **Access Requirements**

Same as for **detention vaults** (see Section 5.1.3) except for the following **modifications**:

1. For facilities maintained by the City, removable panels must be provided over the entire sand bed. Panels shall be at grade, have stainless steel lifting eyes, and weigh no more than 5 tons per panel. Concrete bridge decking or industrial decking are options. If within the roadway and outside the travel lane, the panels must meet traffic loading requirements.
2. A minimum of 24 square feet of ventilation grate must be provided for each 250 square feet of sandbed surface area. Grates may be located in one area if the sand filter is small, but placement at each end is preferred. Small grates may also be dispersed over the entire sand bed.

**Intent:** Grates are important to allow air exchange above the sand. Poor air exchange will hasten anoxic conditions which may result in release of pollutants such as phosphorus and metals and cause objectionable odors.

### **Access Roads, Right of Way, and Setbacks**

Same as for detention vaults (see Section 5.1.3).

### **Recommended Design Features**

The following design features should be incorporated into sand filter vaults where feasible but are not specifically required:

1. The **floor of the presettling cell** should be **sloped toward the inlet** to allow for sediment accumulation and ease of cleaning.
2. A **geotextile fabric** is recommended over the sand bed to make sand bed maintenance easier. If used, the geotextile should be a flexible, high-permeability, three-dimensional matrix of the kind commonly used for erosion control. Sand bags should be used at 10 to 15 foot intervals to hold the geotextile in place.
3. **Additional grates** are recommended instead of solid panels to increase air contact with the sand bed.

### **Construction Considerations**

Same as for sand filters (see Section 6.5.2.2) plus, upon completion of installation, the vault shall be thoroughly cleaned and flushed prior to placement of sand and drain rock.

### **Maintenance Considerations**

Maintenance considerations for sand filter vaults are similar to those described for sand. Maintenance practices need to be modified somewhat due to the sand filter being in a vault, including the use of safe confined space entry procedures.

## **☐ MODIFICATIONS FOR COMBINING WITH AN INFILTRATION VAULT**

Where an infiltration vault is proposed for flow control, a sand filter vault (basic or large) may be combined with the infiltration facility by making the following modifications in design criteria:

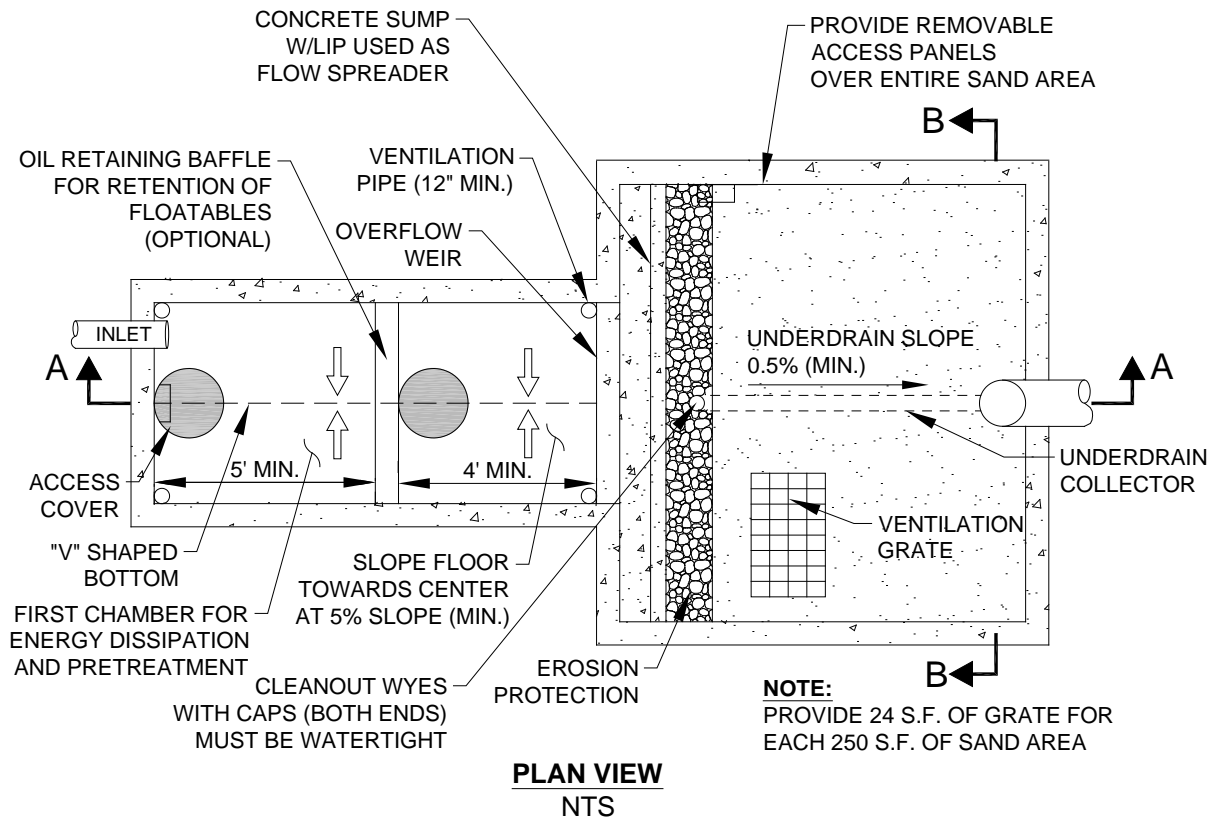
1. The “**100-year Overflow Conveyance**” requirements for infiltration ponds (see Section 5.2.1) shall apply in place of the “**Overflow and Bypass**” requirements for sand filter vaults.
2. The “**Filter Composition**” criteria are changed to eliminate the requirement for an underdrain system. The third layer of the filter becomes the native infiltrative soils.



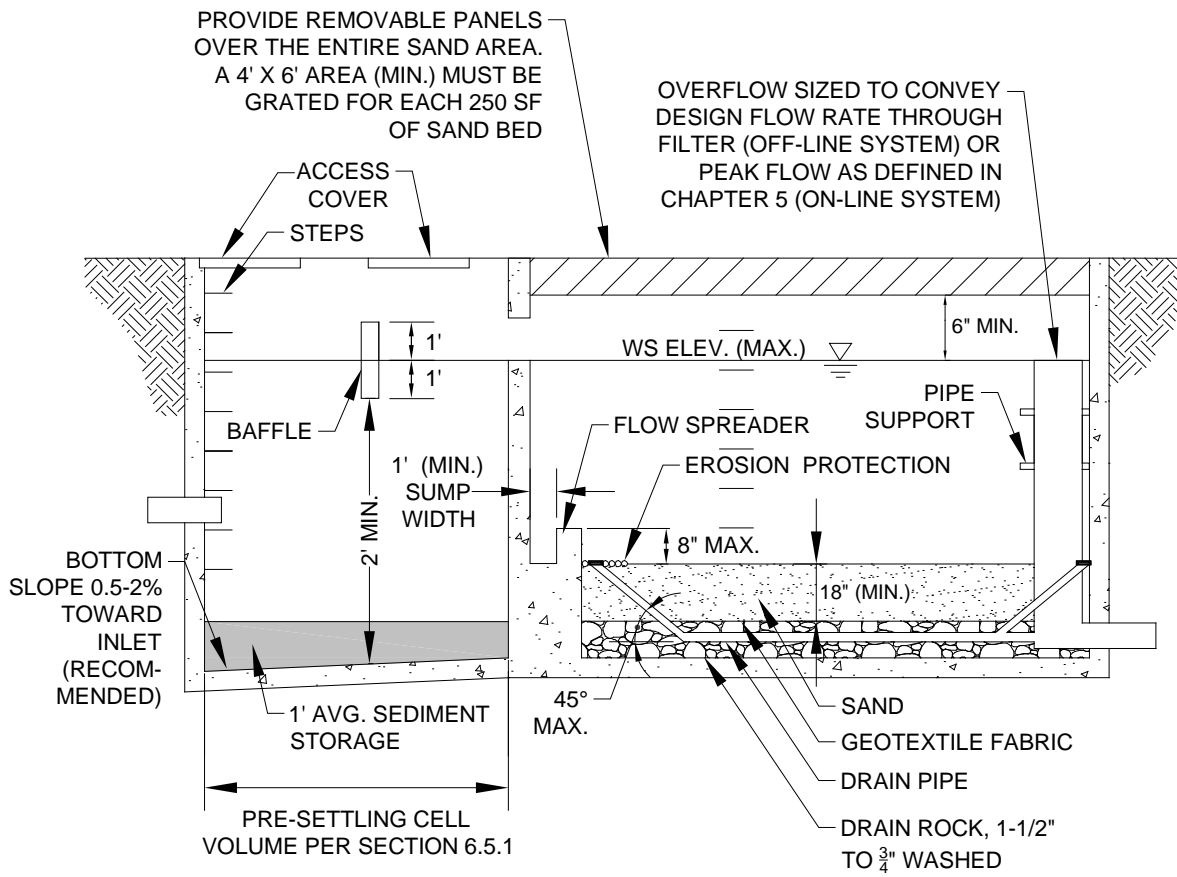
3. The “Underdrain System” and “Underdrain Materials” criteria for sand filter vaults are not applied. Water infiltrating through the sand layer need not be collected but may simply continue infiltrating downward into native soils.
4. “Access requirements” for grating may be reduced at the discretion of the design and review engineers.

**Intent:** when water infiltrates into the soil directly without being collected by an underdrain system, the concern for pollutant release diminishes. Ventilation for odor control is, then, the only concern.

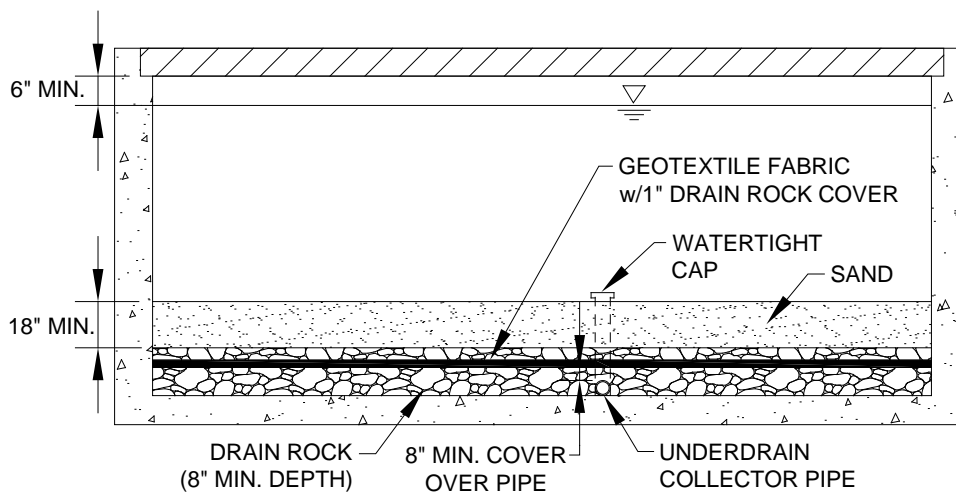
**FIGURE 6.5.3.A SCHEMATIC REPRESENTATION OF A SAND FILTER VAULT PLAN VIEW**



**FIGURE 6.5.3.B SCHEMATIC REPRESENTATION OF A SAND FILTER VAULT PROFILE VIEW**



**SECTION A-A**  
NTS



**SECTION B-B**  
NTS

## 6.5.4 LINEAR SAND FILTERS

*Linear sand filters* are typically long, shallow, rectangular vaults. The vaults consist of two cells or chambers, one for settling coarse sediment from the runoff and the other containing sand. Stormwater flows into the second cell via a weir section that also functions as a flow spreader to distribute the flow over the sand. The outlet consists of an underdrain pipe system that connects to the storm drain system. As with other sand filters, linear filters come in two sizes, basic and large. The **basic linear sand filter** is designed to meet the Basic WQ menu goal of 80% TSS removal for the water quality design flow. The **large linear sand filter** is expected to meet the Sensitive Lake Protection menu goal of 50% total phosphorus removal.

### Applications and Limitations

The linear sand filter is used for stormwater flows for two different treatment purposes:

1. To provide basic or second-tier water quality treatment, and
2. To treat runoff from **high-use sites** (i.e., **sites** generating higher than typical concentrations of oil and grease).

The presettling cell in a linear sand filter does not meet standard presettling cell requirements, so it is not expected to achieve the presettling goal of 50% TSS removal. Sediment storage capacity will also be more limited. These factors will necessitate more frequent maintenance than for a standard sand filter, and are likely to result in poorer net pollutant removal overall. Therefore, linear sand filters are discouraged where a different facility can be used. Linear sand filters are **best suited for treating small drainages** (less than two acres), particularly long, narrow areas. A linear sand filter may be located along the perimeter of a paved impervious surface or may be installed downstream of a filter strip where additional treatment is needed. If used for oil control, the filter should be located upstream from the main water quality treatment facility (i.e., wetpond, bioswale, or combined detention and wetpond).

*Consult the water quality menus in Section 6.1 for information on how linear sand filters may be used to meet Core Requirement #8 or Special Requirement #5.*

### 6.5.4.1 METHODS OF ANALYSIS

**Size the sand filter bed.** A linear sand filter is sized based on the infiltration rate of the sand and the amount of runoff draining to the facility. The filter is sized to infiltrate the sand filter design flow without significant ponding above the sand. The sand filter bed for linear sand filters, basic and large, is sized using the modeled routing procedure of Section 6.5.2.1.

**Size the sediment cell.** The sediment cell width should be set after the sand filter width is determined. Use Table 6.5.4.A below to set the width of the sediment cell. If another WQ facility precedes the sand filter, the sediment cell may be waived.

TABLE 6.5.4.A SEDIMENT CELL WIDTH, LINEAR SAND FILTER	
If Sand Filter Width Is:	Width of Sediment Cell Shall Be:
1 to 2 feet	12 inches
2 to 4 feet	18 inches
4 to 6 feet	24 inches
Over 6 feet	One-third of sand cell width

### 6.5.4.2 DESIGN CRITERIA

A schematic representation is shown in Figure 6.5.4.A.

#### Geometry, Sizing, and Overflow

1. A linear sand filter shall consist of **two cells** or chambers, a sediment cell and a sand bed cell, divided by a low divider wall. If the sand filter is preceded by another WQ facility, and the flow enters the sand filter along the side as sheet flow, the sediment cell may be waived.
2. Stormwater may enter the sediment cell by sheet flow or via a piped inlet.
3. **Minimum inside width** of the sand filter cell shall be 1 foot. **Maximum width** shall be 15 feet.
4. The two cells must be separated by a divider wall that is level and extends a minimum of 6 inches and a maximum of 12 inches above the sand bed. The riser overflow elevation must be adjusted for the wall height.
5. The **sand filter bed** shall be 18 inches deep, reducible to no less than 12 inches deep if grade limitations show a greater depth is not feasible. An 8-inch layer of **drain rock with perforated drainpipe** shall be installed beneath the sand layer.
6. The **drainpipe** shall have a minimum diameter of 6 inches and be wrapped in **geotextile** and sloped 0.5 % (min) to drain.
7. For design, the **maximum depth of ponding** over the sand shall be 1 foot.
8. If separated from traffic areas, a linear sand filter may be **covered or open**, but if covered, the cover must be removable for the entire length of the filter. Covers must be grated if flow to the filter is from sheet flow.
9. A linear sand filter shall have an **emergency overflow route**, either surface overland, tightline, or other structure for safely controlling the overflow, and shall meet the conveyance requirements specified in Chapter 1.

#### Structure Specifications

1. A linear sand filter vault shall be concrete (precast/prefabricated or cast-in-place). The concrete must conform to the “**Material**” requirements for **detention vaults** in Section 5.1.3.
2. Where linear sand filters are located in traffic areas, they must meet the “**Structural Stability**” requirements specified for **detention vaults** in Section 5.1.3. The sediment cell shall have a **removable grated cover** that meets HS-25 traffic loading requirements. The cover over the sand filter cell may be either solid or grated.
3. A minimum of 24 square feet of **ventilation grate** must be provided for each 250 square feet of sandbed surface area. Grates located over the sediment chamber are preferred. Grates may be in one central location or dispersed over the entire sand bed. Vertical grates may also be used such as at a curb inlet. If a sediment chamber is not required, ventilation shall be provided over the sandbed.

**Intent:** Grates are important to allow air exchange above the sand. Poor air exchange will hasten anoxic conditions which may result in release of pollutants such as phosphorus and metals and cause objectionable odors.

#### Sand Specifications

Same as for sand filters (see Table 6.5.2.A).

#### Geotextile Materials

Same as for sand filters (see WSDOT Standard Specifications (2014), 9-33.2(1) Geotextile Properties/Table 1/Moderate Survivability/Woven, and Table 2, Class A).

**Underdrain Materials**

Same as for sand filters (see Section 6.5.2.2).

**Access Roads, Right of Way, and Setbacks**

Same as for detention vaults (see Section 5.1.3).

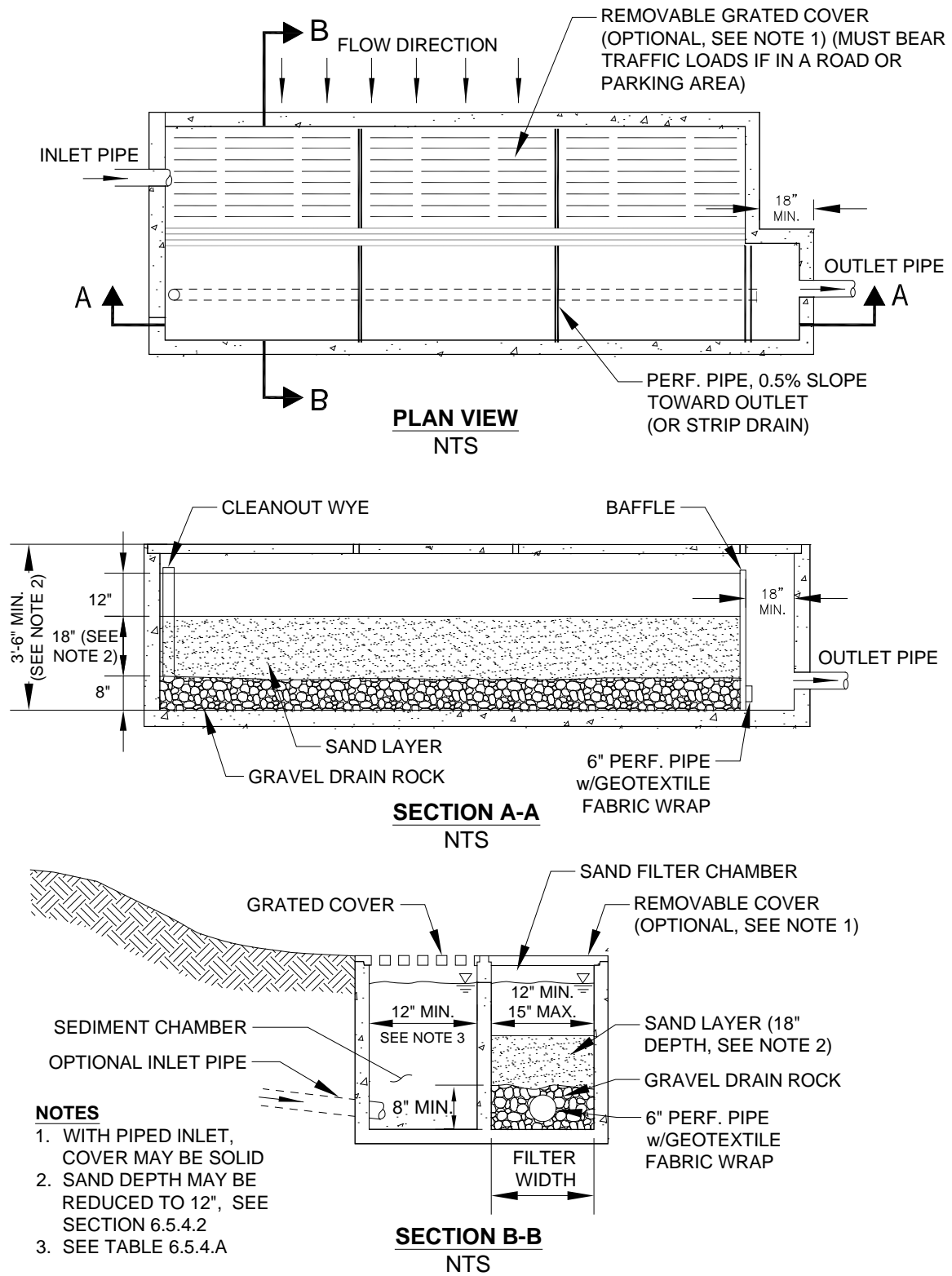
**Construction Considerations**

If put into service before the *project site* is stabilized, placement of the sand layer should be delayed, and the linear sand filter may be used with the gravel layer only. The gravel layer must be replaced and the vault cleaned when the *project site* is stabilized and the sand bed installed. The City will not assume maintenance responsibility or release financial guarantees until the final installation is complete.

**Maintenance Considerations**

Maintenance considerations for linear sand filters are similar to those for basic sand filters (see Section 6.5.2.2) except sediment should be removed from the sediment cell when the sediment depth exceeds 6 inches.

**FIGURE 6.5.4.A SCHEMATIC REPRESENTATION OF A LINEAR SAND FILTER**



## 6.6 OIL CONTROL FACILITY DESIGNS

This section presents the methods, criteria, and details for oil control facilities that are not discussed in other sections. Included are the following facility designs:

- “Oil/Water Separators,” Section 6.6.2.

Other oil control facilities include wetvaults, with minor modifications (see Section 6.4.2), and linear sand filters (see Section 6.5.4). Non-facility options include parking lot washing with proper disposal of wash water and compliance with a NPDES permit that already addresses oil control. More information on non-structural options can be found in the High-Use menu, Section 6.1.5.

The information presented for each facility is organized into the following two categories:

1. **Methods of Analysis:** Contains a step-by-step procedure for designing and sizing each facility.
2. **Design Criteria:** Contains the details, specifications, and material requirements for each facility.

### 6.6.1 CATCH BASIN INSERTS

A *catch basin insert* is a device installed underneath a catch basin inlet that treats stormwater through filtration, settling, absorption, adsorption, or a combination of these mechanisms. This BMP is not allowed in the City for oil control for compliance with Special Requirement #5.<sup>43,44</sup>

### 6.6.2 OIL/WATER SEPARATORS

Oil/water separators rely on passive mechanisms that take advantage of oil being lighter than water. Oil rises to the surface and can be periodically removed. The two types of oil/water separators typically used for stormwater treatment are the baffle type or API (American Petroleum Institute) oil/water separator and the coalescing plate oil/water separator.

**Baffle oil/water separators** use vaults that have multiple cells separated by baffles extending down from the top of the vault (see Figure 6.6.2.D for schematic representation). The baffles block oil flow out of the vault. Baffles are also commonly installed at the bottom of the vault to trap solids and sludge that accumulate over time. In many situations, simple floating or more sophisticated mechanical oil skimmers are installed to remove the oil once it has separated from the water.

**Coalescing plate separators** are typically manufactured units consisting of a baffled vault containing several inclined corrugated plates stacked and bundled together (see Figure 6.6.2.E for schematic representation). The plates are equally spaced (typical plate spacing ranges from 1/4-inch to 1 inch) and are made of a variety of materials, the most common being fiberglass and polypropylene. Efficient separation results because the plates reduce the vertical distance oil droplets must rise in order to separate from the stormwater. Once they reach a plate, oil droplets form a film on the plate surface. The film builds up over time until it becomes thick enough to migrate upward because of oil’s lower density relative to water. When the film reaches the edge of the plate, oil is released as large droplets which rise rapidly to the surface, where the oil accumulates until the unit is maintained. Because the plate pack increases treatment effectiveness significantly, coalescing plate separators can achieve a specified treatment level with a smaller vault size than a simple baffle separator.

Oil/water separators are meant to treat stormwater runoff from more intensive land uses, such as high-use sites, and facilities that produce relatively high concentrations of oil and grease. Although baffle separators historically have been used to remove larger oil droplets (150 microns or larger), they may also be sized to

<sup>43</sup> Footnote 43 is not used.

<sup>44</sup> Footnote 44 is not used.

remove smaller oil droplets. Both separators may be used to meet a **performance goal of 10 to 15 mg/L** by designing the unit to removal oil particles 60 microns and larger.

### Applications and Limitations

Oil/water separators are designed to remove free oil and are not generally effective in separating oil that has become either chemically or mechanically emulsified and dissolved in water. Therefore, it **is desirable for separators be installed upstream of facilities and conveyance structures that introduce turbulence and consequently promote emulsification**. Emulsification of oil can also result if surfactants or detergents are used to wash parking areas that drain to the separator. Detergents shall not be used to clean parking areas unless the wash water is collected and disposed of properly (usually to the sanitary sewer).

There is concern that oil/water separators used for stormwater treatment have not performed to expectations.<sup>45</sup> Therefore, emphasis should be given to proper application, design, operations and maintenance – particularly sludge and oil removal, and prevention of coalescing-plate fouling and plugging.<sup>46</sup>

Oil/water separators are **best located in areas where the tributary drainage area is nearly all impervious, and a fairly high load of petroleum hydrocarbons is likely to be generated**. Oil/water separators are not recommended for areas with very dilute concentrations of petroleum hydrocarbons since their performance is not effective at low concentrations. Excluding unpaved areas helps to minimize the amount of sediment entering the vault, reducing the need for maintenance. A unit that fails and ceases to function can release previously trapped oil to the downstream receiving water, both in release from the oily sediments and from entrainment of surface oils.

Wetvaults may also be modified to function as baffle oil/water separators (see design criteria for wetvaults, Section 6.4.2.2).

*Consult the water quality menus in Section 6.1 for information on how baffle and coalescing plate oil/water separators may be used to meet Special Requirement # 5.*

## 6.6.2.1 METHODS OF ANALYSIS

### Background

Generally speaking, in most oil and water mixtures the degree of oil/water separation that occurs is dependent on both the time the water is detained in the separator and the oil droplet size. The sizing methods in this section are based on Stokes' law:

$$V_T = \frac{g(d_p - d_c)D_o^2}{18\mu} \quad (6-25)$$

where

- $V_T$  = rise velocity of oil droplet
- $g$  = gravitational constant
- $d_p$  = density of oil droplet to be removed
- $d_c$  = density of carrier fluid
- $D_o$  = diameter of oil droplet
- $\mu$  = absolute viscosity of carrier fluid

<sup>45</sup> WA Ecology 2014, SWMMWW, citing: Schueler, Thomas R., "Water Quality inlets/Oil Grit Separators," BMP Fact Sheet #11, Current Assessment of Urban Best Management Practices, March 1992.; Watershed Protection Techniques, "Hydrocarbon Hotspots in the Urban Landscape: Can They be Controlled?," February 1994.

<sup>46</sup> WA Ecology 2014, SWMMWW, citing: U.S. Army Corps of Engineers, "Selection and Design of Oil and Water Separators," August 26, 1994.



The basic assumptions inherent in Stokes' law are: (1) flow is laminar, and (2) the oil droplets are spherical.

Traditional baffle separators are designed to provide sufficient hydraulic residence time to permit oil droplets to rise to the surface. The residence time  $T_r$  is mathematically expressed as follows:

$$T_r = \frac{V}{Q} \quad (6-26)$$

where  $V$  = effective volume of the unit or container, or  $A_s \times H$ , where  
 $A_s$  = surface area of the separator unit, and  
 $H$  = height of water column in the unit  $Q$  = hydraulic capacity or flow through the separator

The time required for the oil droplet to rise to the surface within the unit is found by the relation:

$$T_T = \frac{H}{V_T} \quad (6-27)$$

where  $V_T$  = rise velocity of the oil droplet

The oil droplet rises to the water surface if the residence time in the separator is at least equal to the oil droplet rise time. This can be expressed as follows:

$$T_r = T_T$$

By substituting terms and simplifying:

$$V_T = \frac{Q}{A_s} \quad (6-28)$$

where  $A_s$  = surface area of the separator unit

The ratio in Equation 6-28 is designated as the surface overflow rate or loading rate. It is this rate that governs the removal efficiency of the process and predicts whether an oil droplet will be removed by the separator.

### Method for Baffle Separators

Design steps for the baffle separator are summarized below:

**Step 1: Determine the WQ design flow ( $Q$ ).** The facility is sized based on the WQ design flow (see Section 6.2.1). The separator **must be designed as an off-line facility**. That is, flows higher than the WQ design flow (i.e., the modified off-line flow rate) must bypass the separator.

**Step 2: Calculate the minimum vertical cross-sectional area.** Use the following equation:

$$A_c = \frac{Q}{V_H} \quad (6-29)$$

where  $A_c$  = minimum cross-sectional area (sf)  
 $Q$  = modified off-line water quality design flow per Section 6.2.1 (cfs)  
 $V_H$  = design horizontal velocity (fps)

Set the horizontal velocity  $V_H$  equal to 15 times the oil droplet's rise rate  $V_T$ . A **design rise rate of 0.033 feet per minute shall be used** unless it is demonstrated that conditions of the influent or performance function warrant the use of an alternative value. Using the 0.033 feet per minute rise rate results in  $V_H = 0.008$  fps (= 0.495 fpm).

**Step 3: Calculate the width and depth of the vault.** Use the following equation:

$$D = \frac{A_c}{W} \quad (6-30)$$

where  $D$  = maximum depth (ft)  
 $W$  = width of vault (ft)  
 and where  $A_c$  is from Step 2 above.

The computed depth  $D$  must meet a depth-to-width ratio  $r$  of between 0.3 and 0.5 (i.e.,  $0.3 \leq D/W \leq 0.5$ ).

*Note:*  $D = (r A_c)^{0.5}$  and  
 $W = D/r$  and  
 $r$  = the depth-to-width ratio

**Step 4: Calculate the length of the vault.** Use the following equation:

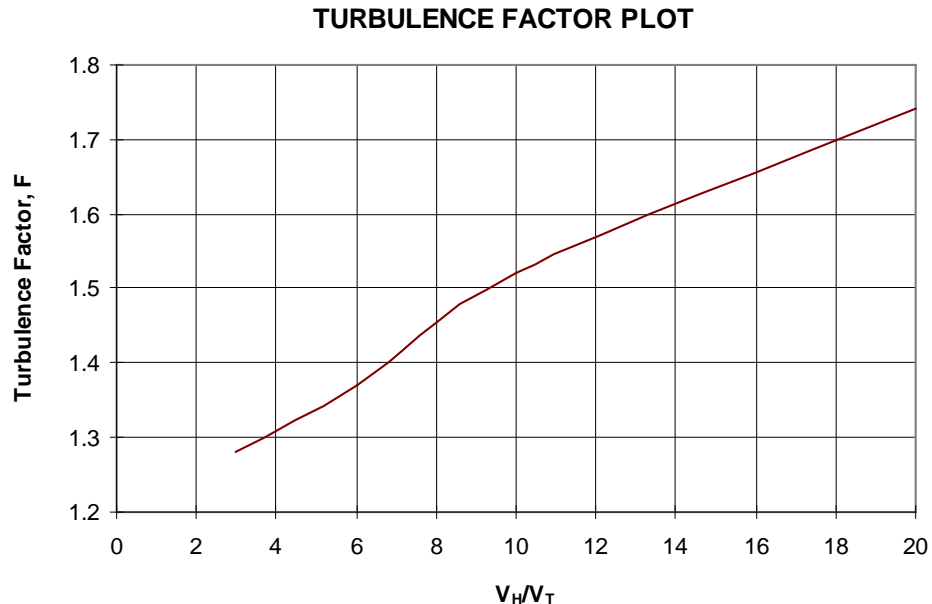
$$L = FD \left( \frac{V_H}{V_T} \right) \quad (6-31)$$

where  $L$  = length of vault (ft)  
 $F$  = turbulence and short-circuiting factor (unitless, see Figure 6.6.2.A)  
 $V_H$  = horizontal velocity (ft/min)  
 $V_T$  = oil droplet rise rate (ft/min)  
 $D$  = depth (ft)

The turbulence factor  $F$  shall be selected using a  $V_H/V_T$  ratio of 15, so  $F = 1.64$ .

Therefore Equation 6-31 becomes:  $L = 1.64 \times 15 \times D$

FIGURE 6.6.2.A TURBULENCE FACTOR PLOT



**Step 5: Check the separator's length-to-width ratio.** The length  $L$  of the vault must be at least 5 times its width in order to minimize effects from inlet and outlet disturbances. The length of the forebay shall be approximately  $L/3$ .

**Step 6: Compute and check that the minimum horizontal surface area ( $A_H$ ) criterion is satisfied.** This criterion is expressed by the following equation:

$$A_H = \left( \frac{1.65Q}{0.00055} \right) \leq LW \quad (6-32)$$

**Step 7: Compute and check that the horizontal surface area of the vault forebay.** This area must be greater than 20 square feet per 10,000 square feet of tributary impervious area. The length of the forebay ( $L/3$ ) may be increased to meet this criterion without having to increase the overall length of the vault.

**Step 8: Design the flow splitter and high-flow bypass.** See Section 6.2.5 for information on flow splitter design.

### Method for Coalescing Plate Separators

Coalescing plate separators are designed using the same basic principles as baffle separators. The major difference is that in the baffle separator, horizontal separation is related only to water surface area, while in the coalescing plate separator, horizontal separation is related to the sum of the plan-areas of the plates. The treatment area is increased by the sum of the horizontal projections of the plates being added, and is referred to as the plate *effective separation area*.

The basic procedure for designing a coalescing plate separator is to determine the effective separation area required for a given design flow. The specific vault sizing then depends on the manufacturer's plate design. The specific design, analysis, configuration, and specifications for coalescing plates are empirically based and variable. Manufacturers' recommendations may be used to vary the recommendations given below.

**Step 1: Determine the WQ design flow.** The coalescing plate oil/water separator must be sized based on the WQ design flow (see Section 6.2.1). The separator **must be designed as an off-line facility**; flows higher than the WQ design flow (i.e., the modified off-line flow rate) must bypass the separator.

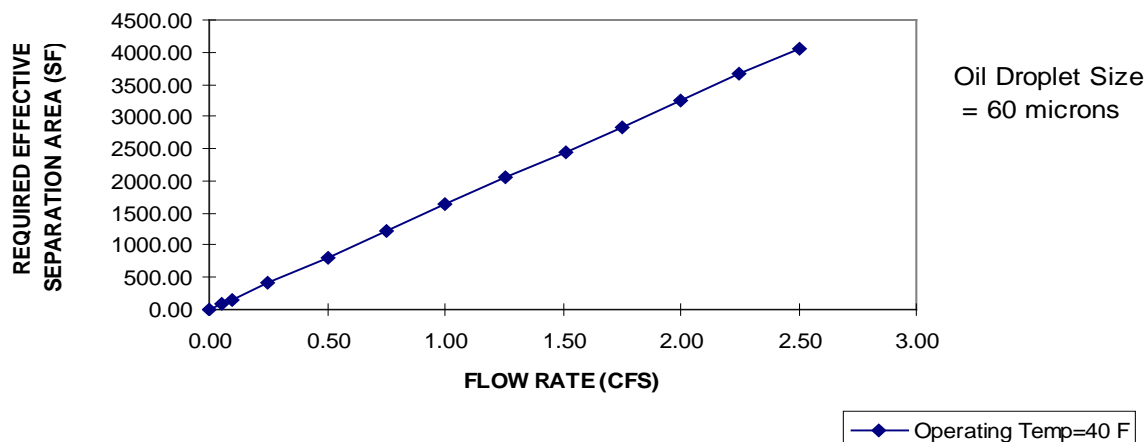
**Step 2: Calculate the plate minimum effective separation area ( $A_h$ ).**  $A_h$  is found using the following equation:

$$A_h = \frac{60 \cdot Q}{0.00386 \cdot \left( \frac{S_w - S_o}{\mu} \right)} \quad (6-33)$$

where  $S_w$  = specific gravity of water = 1.0  
 $S_o$  = specific gravity of oil = 0.85  
 $\mu$  = absolute viscosity of water (poises); use 0.015674 for temp = 39°F  
 $Q$  = modified off-line water quality design flow rate per Section 6.2.1 (cfs)  
 $A_h$  = required effective (horizontal) surface area of plate media (sf).

Equation 6-33 is based on an oil droplet diameter of 60 microns. A graphical relation of Equation 6-33 is shown in Figure 6.6.2.B below. This graph may be used to determine the required effective separation surface area of the plate media.

**FIGURE 6.6.2.B EFFECTIVE SEPARATION SURFACE VS FLOW RATE**



**Step 3: Calculate the collective projected surface area ( $A_p$ ).** A key design step needed to ensure adequate performance of the separator unit is to convert the physical plate area (the surface area of the plates if laid flat) into the effective (horizontal) separation surface area  $A_h$  (calculated in step 2). The effective separation surface area  $A_h$  is based on the collective projected horizontal surface area  $A_p$  of the plates where the plates are inclined, rather than laid flat.

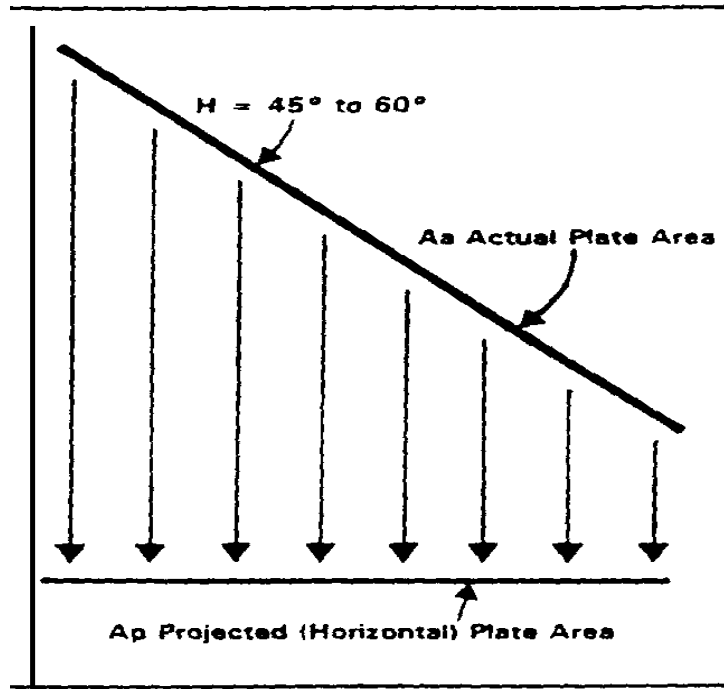
$$A_h = A_p = A_a (\cos H) \quad (6-34)$$

where  $A_a$  = actual collective plate area of the plate configuration (sf)  
 $H$  = angle of the plates to the horizontal (degree)

This equation is represented graphically in Figure 6.6.2.C below. The designer shall make sure that the manufacturer sizes the oil/water separator using the projected surface area rather than the actual plate area.

*Note: For this method, only the lower plate surface may be counted as effective separation surface, regardless of manufacturer's claims.*

**FIGURE 6.6.2.C PROJECTED HORIZONTAL PLATE AREA FOR COALESCING PLATE OIL/WATER SEPARATOR**



**Step 4: Check with specific separator manufacturers.** Check with specific manufacturers to choose a separator that provides the required actual collective plate area calculated in Step 3, and meets the other design criteria given in the next section. The specific vault design will depend upon each manufacturer's design. The geometric configuration and dimensions of the plate pack as well as the vault design are variable and flexible depending on each manufacturer's product.

Table 6.6.2.A provides approximate vault sizes for rough planning purposes. In reality, various manufacturers have quite different designs, both for the plate packs themselves as well as for forebay and afterbays. In addition, standard pre-cast vault dimensions vary with each manufacturer. These various factors can greatly affect the volume of vault needed to provide a given effective separation area. The numbers in Table 6.6.2.A should therefore be considered "order of magnitude" estimates only.

<b>Area of Effective Separation (square feet)</b>	<b>Approximate Vault Volume Required (cubic feet) for Plates with 1/2 Inch Spacing and Inclined 60 Degrees from Horizontal (cubic feet)</b>
100	150
200	240
300	330
600	530
1,200	890
2,400	1150
3,200	2090
4,800	2640

\* Order of magnitude estimates for planning purposes only. Actual vault volumes vary considerably depending on separator design features and pre-cast vault dimensions.

## 6.6.2.2 DESIGN CRITERIA

A schematic representation of a baffle oil/water separator is shown in Figure 6.6.2.D. **Other designs** and configurations of separator units and vaults are allowed, including above ground units. However, they must produce equivalent treatment results and treat equivalent flows as conventional units.

### General Siting

1. Oil/water separators **must be installed off-line**, bypassing flows greater than the WQ design flow described in Step 1 above.
2. When a separator is required, it **shall precede other water quality treatment facilities** (except wetvaults). It may be positioned either upstream or downstream from flow control facilities, since there are both advantages and disadvantages with either placement.
3. In moderately pervious soils where **seasonal groundwater** may induce flotation, buoyancy tendencies shall be balanced by ballasting or other methods as appropriate.
4. Any **pumping devices** shall be installed downstream of the separator to prevent oil emulsification in stormwater.

### Vault Structure — General

The following criteria apply to both baffle and coalescing plate separators:

1. Separator vaults shall be **watertight**. Where pipes enter and leave a vault below the WQ design water surface, they shall be sealed using a non-porous, non-shrinking grout.
2. Separator vaults shall have a **shutoff mechanism** on the outlet pipe to prevent oil discharges during maintenance and to provide emergency shut-off capability in case of a spill. A valve box and riser shall also be provided according to the design criteria for wetponds (see “Inlet and Outlet Criteria,” Section 6.4.1.2).

### Vault Structure — Baffle Separators

In addition to the above general criteria, the following criteria apply specifically to baffle separators:

1. Baffle separators shall be divided into **three compartments**: a forebay, an oil separation cell, and an afterbay. The **forebay** is primarily to trap and collect sediments, encourage plug flow, and reduce turbulence. The **oil separation cell** traps and holds oil as it rises from the water column, and it serves as a secondary sediment collection area. The **afterbay** provides a relatively oil-free cell before the outlet, and it provides a secondary oil separation area and holds oil entrained by high flows.
2. The **length of the forebay** shall be approximately  $\frac{1}{3}$  to  $\frac{1}{2}$  of the length of the vault,  $L$ . In addition, the **surface area of the forebay** must be at least 20 square feet per 10,000 square feet of tributary impervious area draining to the separator.
3. A **removable flow-spreading baffle**, extending from the surface to a depth of up to  $\frac{1}{2}$  the vault depth ( $D$ ) is required to spread flows.
4. The **removable bottom baffle** (sediment-retaining baffle) shall be a minimum of 24 inches (see Figure 6.6.2.D), and located at least 1 foot from the oil-retaining baffle. A “window wall” baffle may be used, but the area of the window opening must be at least three times greater than the area of the inflow pipe.
5. A **removable oil retaining baffle** shall be provided and located approximately  $\frac{1}{4} L$  from the outlet wall or a minimum of 8 feet, whichever is greater (the 8-foot minimum is for maintenance purposes). The oil-retaining baffle shall extend from the elevation of the water surface to a depth of at least 50% of the design water depth. Various configurations are possible, but the baffle shall be designed to minimize turbulence and entrainment of sediment.
6. Baffles may be fixed rather than removable if additional entry ports and ladders are provided so that both sides of the baffle are accessible by maintenance crews.

7. Baffle separator vaults shall have a minimum **length-to-width ratio** of 5.
8. The **design water depth** ( $D$ ) shall be no deeper than 8 feet unless approved by CED.
9. Baffle separator vaults shall have a **design water depth-to-width** ratio of between 0.3 and 0.5.

### Vault Structure — Coalescing Plate Separators

In addition to the above general criteria, the following criteria apply specifically to coalescing plate separators:

1. Coalescing plate separators shall be divided by baffles or berms into **three compartments**: a forebay, an oil separation cell which houses the plate pack, and an afterbay. The **forebay** controls turbulence and traps and collects debris. The **oil separation cell** captures and holds oil. The **afterbay** provides a relatively oil-free exit cell before the outlet.
2. The **length of the forebay** shall be a minimum of  $\frac{1}{3}$  the length of the vault,  $L$  (but  $\frac{1}{2} L$  is recommended). In addition, it is recommended that the **surface area of the forebay** be at least 20 square feet per 10,000 square feet of tributary impervious area draining to the separator. In lieu of an attached forebay, a separate grit chamber, sized to provide be at least 20 square feet per 10,000 square feet of tributary impervious area, may precede the oil/water separator.
3. An **oil-retaining baffle** shall be provided. If maintained by the City, the baffle must be a minimum of 8 feet from the outlet wall (for maintenance purposes). For large units, a baffle position of  $0.25L$  from the outlet wall is recommended. The oil-retaining baffle shall extend from the water surface to a depth of at least 50% of the design water depth. Various configurations are possible, but the baffle shall be designed to minimize turbulence and entrainment of sediment.
4. A bottom **sediment-retaining baffle** shall be provided upstream of the plate pack. The minimum height of the sludge-retaining baffle shall be 18 inches. Window walls may be used, but the window opening must be a minimum of three times greater than the area of the inflow pipe.
5. It is recommended that entire space between the sides of the plate pack and the vault wall be filled with a solid but light-weight removable material such as a **plastic or polyethylene foam** to reduce short-circuiting around the plate pack. Rubber flaps are not effective for this purpose.
6. If a separator will be maintained by the City, the **separator plates** shall meet the following requirements:
  - a) Plates shall be inclined at  $45^\circ$  to  $60^\circ$  from the horizontal. This range of angles exceeds the angle of repose of many solids and therefore provides more effective droplet separation while minimizing the accumulation of solids on the individual plates.
  - b) Plates shall have a minimum plate spacing of  $\frac{1}{2}$ -inch and have corrugations.
  - c) Plates shall be securely bundled in a plate pack so that they can be removed as a unit.
  - d) The plate pack shall be a minimum of 6 inches from the vault bottom.
  - e) There should be 1 foot of head space between the top of the plate pack and the bottom of the vault cover.

### Inlet and Outlet

1. The **inlet shall be submerged**. A tee section may be used to submerge the incoming flow and must be at least 2 feet from the bottom of the tank and extend above the WQ design water surface.

**Intent:** The submerged inlet is to dissipate energy of the incoming flow. The distance from the bottom is to minimize resuspension of settled sediments. Extending the tee to the surface allows air to escape the flow, thus reducing turbulence. Alternative inlet designs that accomplish these objectives are acceptable.

2. The **vault outlet pipe** shall be sized to pass the modified off-line WQ design flow before overflow (using the pipe sizing methods in Chapter 4). The vault outlet pipe shall be back-sloped or have a tee extending 1 foot above and below the WQ design water surface to provide for secondary trapping of oils and floatables in the wetvault.

Note: The invert of the outlet pipe sets the **WQ design water surface** elevation.

### Material Requirements

1. All **metal parts shall be corrosion-resistant**. Zinc and galvanized materials shall not be used unless there is no substitute, because of aquatic toxicity potential. Painting or other coating of metal parts for corrosion resistance is not allowed due to lack of longevity and lack of standardization or assurance of non-toxic coatings.
2. **Vault baffles** shall be concrete, stainless steel or other acceptable material and shall be securely fastened to the vault.
3. **Gate valves**, if used, shall be designed for seating and unseating heads appropriate for the design conditions.
4. For coalescing plate separators, **plate packs** shall be made of stainless steel or polypropylene.

### Access Requirements

Same as for **detention vaults** (see Section 5.1.3) except for the following **modifications**:

1. Access to **each compartment** is required. If the length or width of any compartment exceeds 50 feet, an additional access point for each 50 feet is required.
2. Access points for the **forebay and afterbay** shall be positioned partially over the inlet or outlet tee to allow visual inspection as well as physical access to the bottom of the vault.
3. For **coalescing plate separators**, the following also apply:
  - a) Access to the **compartment containing the plate pack** shall be a removable panel or other access able to be opened wide enough to remove the entire coalescing plate bundle from the cell for cleaning or replacement. Doors or panels shall have stainless steel lifting eyes, and panels shall weigh no more than 5 tons per panel.
  - b) A **parking area or access pad** (25-foot by 15-foot minimum) shall be provided near the coalescing plate bundles to allow for their removal from the vault by a truck-mounted crane or backhoe, and to allow for extracting accumulated solids and oils from the vault using a vactor truck.

### Access Roads, Right of Way, and Setbacks

Same as for detention vaults (see Section 5.1.3).

### Recommended Design Features

1. A **gravity drain** for maintenance is recommended if grade allows. The drain invert should be at a depth equal to the depth of the oil retaining baffle. Deeper drains are encouraged where feasible.
2. The recommended design features for wetvaults should be applied.
3. If large amounts of oil are likely to be captured, a bleed-off pipe and separate waste oil tank may be located adjacent to the vault to channel separated oils into the tank. This improves the overall effectiveness of the facility, especially if maintenance is only annually. It also improves the quality of the waste oil recovered from the facility.



---

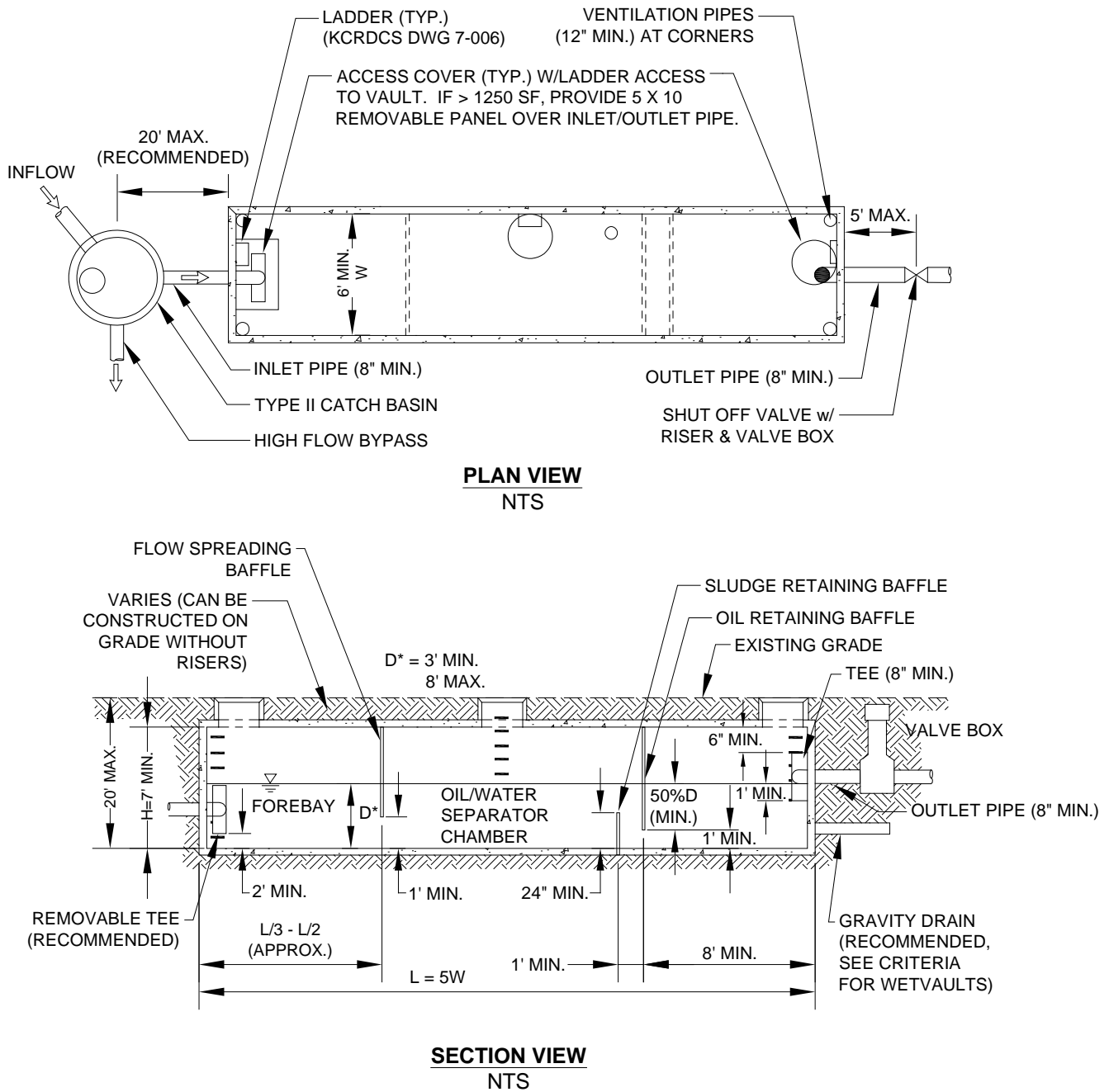
### Construction Considerations

1. Construction of oil/water separators shall follow and conform to the manufacturer's recommended construction procedures and installation instructions as well as the *City of Renton Standard Details*. Where the possibility of vault flotation exists, the vault shall be properly anchored in accordance with the manufacturer's recommendations or an engineer's design and recommendations.
2. Particular care must be taken when inserting coalescing plate packs in the vault so as not to damage or deform the plates.
3. Upon completion of installation, the oil/water separator shall be thoroughly cleaned and flushed prior to operating.

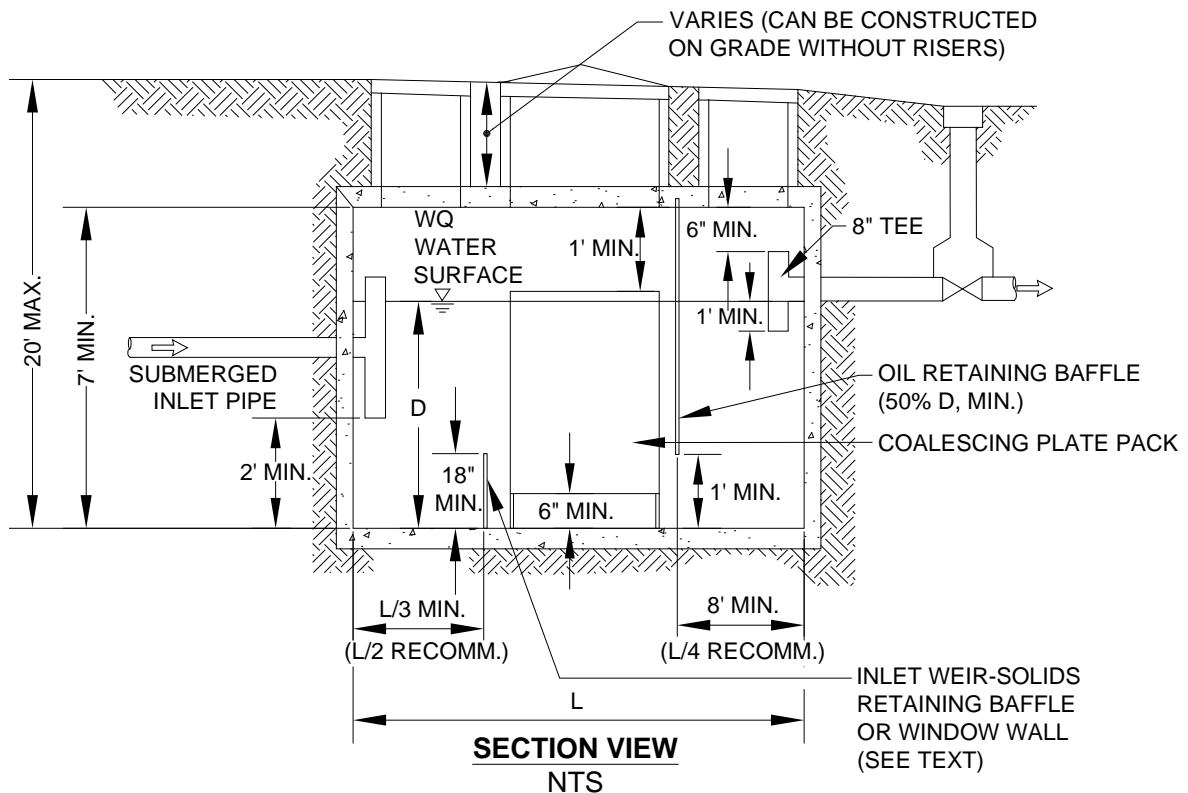
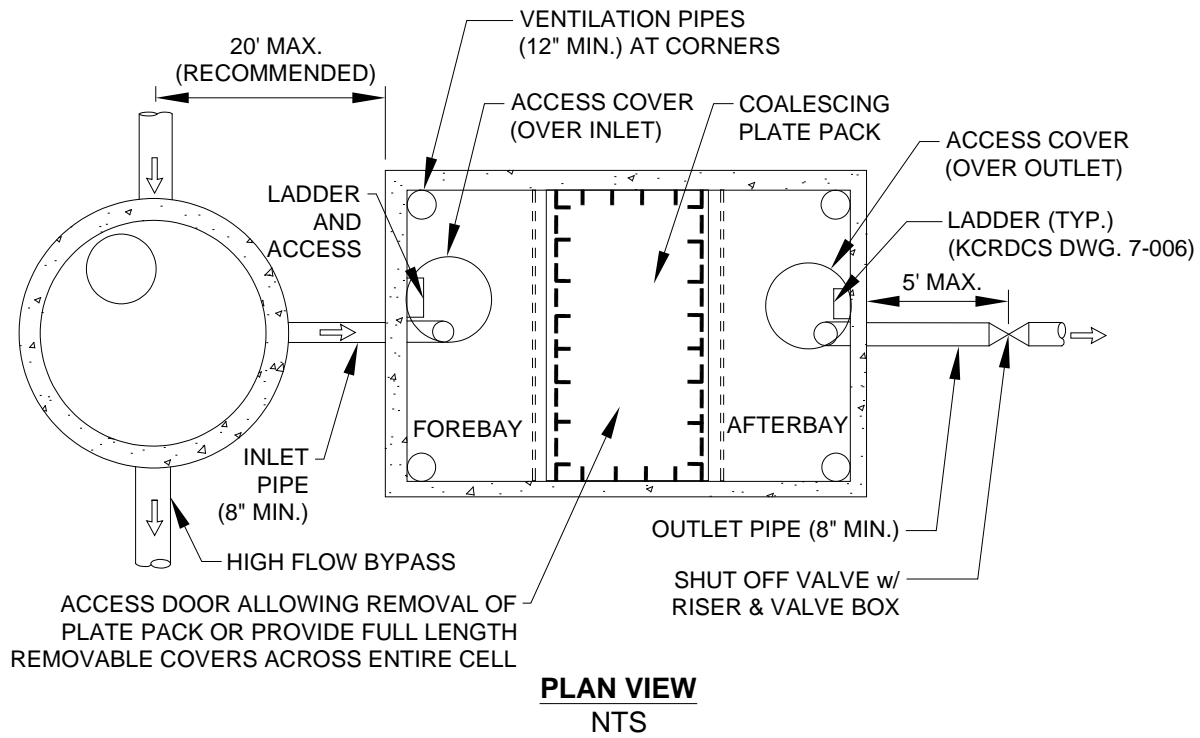
### Maintenance Considerations

1. Oil/water separators must be cleaned regularly to ensure that accumulated oil does not escape from the separator. Separators should be cleaned by November 15 of each year to remove accumulation during the dry season. They must also be cleaned after spills of polluting substances such as oil, chemicals, or grease. Vaults must also be cleaned when inspection reveals any of the following conditions:
  - a) Oil accumulation in the oil separation compartment equals or exceeds 1 inch, unless otherwise rated for greater oil accumulation depths recommended by the specific separator manufacturer.
  - b) Sediment deposits in the bottom of the vaults equals or exceeds 6 inches in depth.
2. For the first several years, oil/water separators should be checked on a quarterly basis for proper functioning and to ensure that accumulations of oil, grease, and solids in the separator are at acceptable levels. Effluent from the vault shall also be observed for an oil sheen to ensure that oil concentrations are at acceptable levels and that expected treatment is occurring. Separators should also be inspected after large storm events (about 2 inches in 24 hours).
3. Access to separators shall be maintained free of all obstructions, and units shall be readily accessible at all times for inspection and maintenance.
4. Maintenance personnel entering oil/water separator vaults should follow the state regulations pertaining to confined space entry, if applicable.

**FIGURE 6.6.2.D SCHEMATIC REPRESENTATION OF A BAFFLE OIL/WATER SEPARATOR**



**FIGURE 6.6.2.E SCHEMATIC REPRESENTATION OF A COALESCING PLATE OIL/WATER SEPARATOR**



*(This page intentionally left blank.)*

## 6.7 PROPRIETARY FACILITY DESIGNS

Traditional public domain water quality treatment facilities such as wetponds and bioswales may not be feasible or appropriate in some situations due to size and space constraints or limited ability or inability to remove target pollutants.<sup>47</sup> Even where public domain facilities are feasible, development applicants may seek to use proprietary manufactured alternatives for economic, aesthetic, or other reasons. This is a narrower range of facilities than those referred to by Ecology as “*Emerging Technologies*,”<sup>48</sup> which also include some public domain facilities that are in process of or have been approved through Ecology’s TAPE program, e.g., WSDOT’s Media Filter Drain. Proprietary designs have been and are continuing to be developed by the stormwater treatment industry.

*Approval by Ecology through TAPE, CTAPE or Ecology’s Approved as Equivalent process does not itself constitute approval by the City. An adjustment is required for use of proprietary facilities approved by Ecology but not yet approved by the City.*

Proprietary facilities which have been approved by the City are listed in Reference Section 14-A.

### 6.7.1 ECOLOGY REQUIREMENTS

Ecology refers to proprietary facilities as *emerging technologies*, and more broadly includes under that designation stormwater treatment devices and some public domain facilities for which Ecology has required testing through its Technology Assessment Protocol – Ecology (TAPE) program. All proprietary facilities are *emerging technologies*, but not all *emerging technologies* are proprietary.

Proprietary systems include both permanent and construction site treatment technologies. Many of these have not undergone complete performance testing so their performance claims cannot be verified. Some have been tested and approved by Ecology through its TAPE program or Chemical Technology Assessment Protocol Ecology (CTAPE) protocols (see

<<http://www.ecy.wa.gov/programs/wq/stormwater/newtech/tapectape.html>> and <<http://www.ecy.wa.gov/programs/wq/stormwater/newtech/>>).

In addition, Ecology also has a category designated *Approved as Equivalent to Existing Technologies*, with the following description: These technologies ...

“... have been approved by Ecology as equivalent to existing water quality treatment technologies that are currently listed in the *2014 Stormwater Management Manual for Western Washington* and/or the *2004 Stormwater Management Manual for Eastern Washington*. These technologies did not pass through the Technology Assessment Protocol – Ecology (TAPE) process.”

### 6.7.2 CITY OF RENTON REQUIREMENTS

Only water quality facilities listed in Chapter 6 of this manual, Reference Section 14-A or 14-B, or approved via a Blanket Adjustment may be used for water quality treatment required per Core Requirement #8.

<sup>47</sup> “Traditional” target pollutants are TSS, heavy metals, phosphorus, and petroleum hydrocarbons (“high-use” oil, etc.). There are many TMDLs for bacteria, but no facilities approved by Ecology for bacteria treatment. Other pollutants of concern for which there are no designated facilities include but are not limited to e.g., nitrate, PAHs, and phthalates. The SWDM presents treatment trains for alkalinity (sphagnum bog wetland menu), but there is evidence that at least one of the allowed treatment trains does not work for alkalinity, hence, potential need for other options.

<sup>48</sup> “Emerging” implies previously unknown, undeveloped, or unused. While some of these technologies are new, others are not, nor is their application for stormwater management necessarily new. While performance demonstration through TAPE is required for use of all proprietary facilities, it has also been required by Ecology for the public domain Ecology-approved Media Filter Drain and Compost Amended Bioswales (CABS), but not for the Ecology-approved Compost Amended Vegetated Filter Strips (CAVFS), or any of the legacy stormwater facilities, e.g., ponds, vaults, bioswales, or sand filters.

### 6.7.2.1 GENERAL

The following requirements are expected to be applicable to any proprietary facility included in Reference Section 14-A, and may be applicable to other proprietary facilities depending on the details of those designs.

1. At a minimum, all proprietary facilities must meet design, construction, and maintenance requirements required by Ecology, as documented at Ecology's Emerging Technologies website.<sup>49</sup>
2. In addition, vaults used for cartridge filters shall conform to the "**Materials**" and "**Structural Stability**" requirements specified for detention vaults (see Section 5.1.3).

#### Presettling

For any proprietary facilities included in Reference Section 14-A, presettling requirements will be described in detail within the design criteria for the approved facility in Reference Section 14-A.

Note that where a proprietary facility is used as the second or third facility in a treatment train for Enhanced Basic treatment, presettling is provided by the first facility. Use of a proprietary facility for Basic treatment or as the first facility (Basic) in a treatment train may require presettling. See Section 6.5.1, for general presettling requirements for filtration facilities.

#### Access Requirements for Vaults

1. **Access must be provided** by either removable panels or other City approved accesses to allow for removal and replacement of the filter cartridges. Approved access examples are available in Reference Section 7-C. Removable panels, if used, shall be at grade, have stainless steel lifting eyes, and weight no more than 5 tons per panel.
2. Access to the **inflow and outlet cells** must also be provided.
3. **Ladder access** is required when vault height exceeds 4 feet.
4. Required clear space for ladder access is a minimum two foot diameter floor-to-ceiling space at the ladder, and between the ladder and any cartridges or other vertical obstructions on the vault floor.
5. **Locking lids** shall be provided as specified for detention (see Section 5.1.3).
6. If removable panels or the Reference Section 7-C access configurations are not used, corner **ventilation pipes** shall be provided, and the **minimum internal height and width** and **maximum depth** shall be met (see Section 5.1.3).

#### Access Roads, Right of Way, and Setbacks for Vaults

Same as for detention vaults (see Section 5.1.3).

#### Construction Considerations

Installation of a proprietary facility shall follow the manufacturer's recommended procedures.

#### Maintenance Requirements

Maintenance needs vary depending on the facility, and from *site* to *site* based on the type of land use activity, implementation of source controls, and weather conditions. The facility shall be inspected quarterly or at a frequency recommended by the supplier. Inspection and maintenance shall include the following:

1. The operation and maintenance instructions from the manufacturer shall be kept along with an inspection and maintenance log. The **maintenance log** shall be available for review by City inspectors.
2. **Routine maintenance** criteria can be found in Appendix A and Reference Section 14-A.

<sup>49</sup> <<http://www.ecy.wa.gov/programs/wq/stormwater/newtech/technologies.html>>.

3. Media shall be disposed of in accordance with applicable regulations, including RMC Title VIII, Chapter 1 and state dangerous waste regulations (WAC 173-303). In most cases, the media may be disposed of as solid waste.

### **6.7.2.2 FACILITY APPROVAL**

The City's facility approval process is summarized as follows:

- Ecology may assign General Use Level Designation (GULD) or Conditional Use Level Designation (CULD) to a given facility.
- Before the City will consider adding a proprietary facility to the list of water quality facilities approved for use without adjustments, Ecology must grant GULD approval and the City must determine that sufficient performance monitoring data satisfying all requirements of TAPE are met. City approval may require that monitoring data satisfying requirements of TAPE be provided for 3 or more sites and that qualified samples equal 12 or more at each site. The City's evaluation for inclusion of facilities in this manual will also consider maintenance, operation, and durability factors. For facilities to be maintained by the City, regular maintenance frequency must be no more than once per year.
- During the permitting process with CED, an applicant for an alternative facility may apply for an adjustment to use a device or system not listed in this manual. There is no guarantee that an adjustment will be granted, but if one is, monitoring will be required. All TAPE monitoring requirements and criteria are applicable. The City does not pay for this monitoring. The cost of monitoring commercial products is covered by the applicant and/or the facility vendor according to their agreement. The cost of testing public domain devices or systems for which an adjustment is requested is borne by the applicant.

### **6.7.2.3 DIFFERENCES BETWEEN CITY MAINTAINED AND PRIVATELY MAINTAINED PROPRIETARY FACILITIES**

- The City will not consider adoption of proprietary facilities for public maintenance which are likely to require maintenance more frequently than annually. A privately maintained proprietary facility may have an inspection/maintenance cycle as short as quarterly.
- Where the City will be taking over maintenance responsibilities from a developer, the City may consider maintenance costs in deciding which proprietary facilities to allow.

*(This page intentionally left blank.)*



## 6.8 BIORETENTION FACILITY DESIGNS

This section presents the methods, details of analysis, and design criteria for bioretention facilities. Included in this section are the following specific facility designs:

- “Bioretention cells”
- “Bioretention swales”
- “Bioretention planters”

### 6.8.1 BIORETENTION

Bioretention cells are shallow depressions with a designed planting soil mix and a variety of plant material, including trees, shrubs, grasses, and/or other herbaceous plants. Bioretention cells are not designed as a conveyance system.

Bioretention swales incorporate the same design features as bioretention cells; however, bioretention swales are designed as part of a system that can convey stormwater when maximum ponding depth is exceeded. Bioretention swales have relatively gentle side slopes and ponding depths that are typically 6 to 12 inches.

Bioretention planters include a designed soil mix and a variety of plant material including trees, shrubs, grasses, and/or other herbaceous plants within a vertical walled container usually constructed from formed concrete, but could include other materials. Planters have an open bottom and allow infiltration to the subgrade. These designs are often used in ultra-urban settings.

#### Applications and Limitations

1. A minimum of 3 feet of clearance is necessary between the lowest elevation of the bioretention soil, or any underlying gravel layer, and the seasonal high groundwater elevation or other impermeable layer if the area tributary to the bioretention facility meets or exceeds any of the following limitations:
  - 5,000 square feet of pollution-generating impervious surface; or
  - 10,000 square feet of impervious area; or
  - $\frac{3}{4}$  acres of lawn and landscape.
2. If the tributary area to an individual bioretention facility does not exceed the areal limitations above, a minimum of 1 foot of clearance is adequate between the lowest elevation of the bioretention soil (or any underlying gravel layer) and the seasonal high groundwater elevation or other impermeable layer.

Because bioretention facilities use an imported soil mix that has a moderate design infiltration rate, they are best applied for small drainages, and near the source of the stormwater. Cells may be scattered throughout a subdivision; a swale may run alongside the access road; or a series of planter boxes may serve the road. In these situations, they can but are not required to fully meet the requirement to treat 91% of the stormwater runoff from pollution-generating surfaces. But the amount of stormwater that is predicted to pass through the soil profile may be estimated and subtracted from the 91% volume that must be treated. Downstream treatment facilities may be significantly smaller as a result.

When used in combination with other BMPs, they can also help achieve compliance with the 0.15 cfs threshold for Core Requirement #3.

Applications with or without underdrains vary extensively and can be applied in new development, redevelopment and retrofits. Typical applications include:

- Individual lots for rooftop, driveway, and other on-lot impervious surface.
- Shared facilities located in common areas for individual lots.
- Areas within loop roads or cul-de-sacs.

- Landscaped parking lot islands.
- Within right-of-ways along roads (often linear bioretention swales and cells).
- Common landscaped areas in apartment complexes or other multifamily housing designs.
- Planters on building roofs, patios, and as part of streetscapes.

### Setbacks

*Note: Criteria with setback distances are as measured from the outermost edge of the bioretention soil mix.*

1. Bioretention areas should have a minimum shoulder of 6 inches between the road edge and beginning of the bioretention side slope where flush curbs are used.
2. A minimum 5-foot **setback** shall be maintained between the outermost edge of the bioretention soil mix and any building structure or property line.
3. For *sites* with **septic systems**, bioretention must be located downgradient of the primary and reserve drainfield areas. CED review staff can waive this requirement if site topography clearly prohibits subsurface flows from intersecting the drainfield.
4. Bioretention is not allowed in critical area **buffers** or on **slopes** steeper than 20%.
5. Bioretention is not allowed within 50 feet of a **steep slope hazard area**, **erosion hazard area**, or **landslide hazard**.
6. Bioretention proposed on slopes steeper than 15% must be approved by a **geotechnical engineer** or **engineering geologist** unless otherwise approved by CED. The geotechnical analysis must consider cumulative impacts from the project and surrounding areas under full built-out conditions.
7. Bioretention proposed near slopes steeper than 15% must be approved by a **geotechnical engineer** or **engineering geologist** if the facility is located within a setback from the top of slope equal to the total vertical height of the slope area that is steeper than 15% unless otherwise approved by CED. The geotechnical analysis must consider cumulative impacts from the project and surrounding areas under full built-out conditions.
8. Bioretention that directs overflow towards slopes steeper than 15% may require evaluation and approval of the proposal by a **geotechnical engineer** or **engineering geologist** as determined by CED. The geotechnical analysis must consider cumulative impacts from the project and surrounding areas under full built-out conditions.
9. Bioretention proposed within 200 feet of a **steep slope hazard area**, **erosion hazard area**, or **landslide hazard** must be approved by a **geotechnical engineer** or **engineering geologist** unless otherwise approved by CED. The geotechnical analysis must consider cumulative impacts from the project and surrounding areas under full built-out conditions.
10. Bioretention must not create **flooding or erosion impacts** as determined by CED. If bioretention is proposed near or directs overflows towards a **landslide hazard**, **erosion hazard area**, or a **steep slope hazard area**, CED may require evaluation and approval of the proposal by a **geotechnical engineer** or **engineering geologist**. The geotechnical analysis must consider cumulative impacts from the project and surrounding areas under full built-out conditions.

#### 6.8.1.1 DESIGN CRITERIA

This section provides a description, recommendations, and requirements for the components of bioretention facilities. Refer to Appendix C for additional infeasibility criteria for Core Requirement #9.

Design criteria are provided in this section for the following elements:

- Contributing area
- Flow entrance

- Presettling
- Water storage area
- Bioretention soil
- Subgrade
- Underdrain (if required)
- Overflow
- Liners (optional)
- Plant material
- Mulch layer
- Check dams and weirs
- UIC discharge

### **Contributing Area**

Bioretention cells are small and distributed. The contributing area to a bioretention facility is limited as follows:

- No single cell may receive runoff from more than 5,000 square feet of impervious area, except as noted below for a series of bioretention cells.
- Runoff from more than 5,000 square feet of impervious area may be directed to an upstream cell in a bioretention series (interconnected series of cells).

The bioretention facility should be sized for the contributing area routed to the facility. It is recommended that facilities not be oversized because the vegetation in oversized facilities may not receive sufficient stormwater runoff for irrigation, increasing maintenance.

Stormwater flows from other areas (beyond the area for which the facility is sized) should be bypassed around the facility in order to reduce sediment loading to the cell and the potential for bioretention soil clogging and increased maintenance needs. If bypass is not feasible, facilities shall be sized to treat runoff from the entire area draining to the facility.

Additional flows may pass through a bioretention facility with the following limitations:

- The maximum additional area (i.e., areas beyond the area for which the facility is sized) that may pass through a bioretention facility shall not exceed twice the area for which it is sized due to sediment loading concerns;
- If additional area is routed to the bioretention facility, it shall be clearly noted on submitted plans;
- The overflow infrastructure shall be sized for the full contributing area; and
- Presettling calculations shall demonstrate that the water velocities in the vegetated areas of the bioretention facility do not exceed 2 feet per second during peak flows with 4 percent annual probability (the 25 year recurrence interval flow) (calculated through the narrowest vegetated cross section of the facility).

### **Flow Entrance**

Flow entrances shall be sized to capture flow from the drainage area and designed to both reduce the potential for clogging at the inlet and prevent inflow from causing erosion in the facility. Four primary types of flow entrances can be used for bioretention facilities: dispersed flow (e.g., vegetated buffer strips), sheet flow, curb cuts, and concentrated flow (e.g., piped flow). Where feasible and appropriate within the site context, vegetated buffer strips are the preferred entrance type because they slow incoming flows and provide initial settling of particulates.

Requirements associated with the flow entrance design include the following:

- For facilities in the right-of-way, the flow entrance elevation shall be above the overflow elevation.
- For sheet flow into a facility, a minimum 1 inch drop from the edge of a contributing hard surface to the vegetated flow entrance is required. This drop is intended to allow for less frequent maintenance by allowing some sediment/debris buildup at the edge where flow enters the facility.
- The following requirements apply to roadway and parking lot curb cut flow entrances:
  - The curb cut width shall be sized based on the drainage area, longitudinal slope along the curb, and the cross slope at the inlet.
  - The minimum curb cut opening shall be 12 inches; however, 18 inches is recommended.
  - The curb cut shall have either a minimum of 8 percent slope from the outer curb face extending to a minimum of 12 inches beyond the back of curb, or provide a minimum of a 2 inch vertical drop from the back of curb to the vegetated surface of the facility.
- If concentrated flows are entering the facility (e.g., pipe or curb cut), flow energy dissipation (e.g., rock/cobble pad or flow dispersion weir) shall be incorporated to reduce the potential for erosion at the inlet.

### Presettling

Presettling to capture debris and sediment load from contributing drainage areas is required at the flow entrance for some bioretention facilities. By having a designated presettling zone, maintenance can be targeted in this area to remove sediment build-up.

Requirements associated with the presettling design include the following:

- Presettling requirements for bioretention facilities are provided in Table 6.8.1.A.
- If the cell will receive flows from impervious areas beyond the area for which the facility is sized, the presettling measures shall be designed for the entire area draining to the facility.

The area designated as the presettling zone shall not be included in the calculation of the bottom area of the bioretention facility.

<b>TABLE 6.8.1.A PRESETTLING REQUIREMENTS FOR BIORETENTION FACILITIES</b>	
<b>IMPERVIOUS AREA (SQUARE FEET) CONTRIBUTING RUNOFF TO A SINGLE FLOW ENTRANCE</b>	<b>PRESETTLING REQUIREMENTS</b>
< 5,000	No presettling is required. Designer to determine if site specific presettling is needed based on upstream area conditions.
≥ 5,000 and < 10,000	The bottom of the first 2 to 3 feet of the upstream bioretention cell (at the flow entrance) shall be designated the presettling zone. This bottom area of the cell shall be constructed of cobbles, concrete open celled paving grids, plastic lattices filled with gravel or groundcover vegetation, a roughened concrete pad, or similar material for collection of sediment for maintenance.  Alternatively, a catch basin with a minimum 2-foot sump may be used as the presettling zone. Where the pipe (from the catch basin) daylight into the bioretention cell, provide energy dissipation within the cell.
≥ 10,000	Presettling requirements are project specific, to be determined by designer and approved by the City.

## Water Storage Area

The water storage area provides space for storm flows and the first stages of pollutant treatment within the bioretention facility. Requirements for water storage area design for bioretention facilities with both side slopes and vertical sides include:

- The bottom area of an individual cell shall be no larger than 800 square feet (limitation is to ensure that bioretention facilities are small-scale and distributed).
- The bottom area of an individual cell shall be no less than 4 square feet.
- The average ponding depth shall be no less than 2 inches.
- The ponding depth shall be no more than 12 inches. In right-of-way areas with high pedestrian traffic, the ponding depth may be restricted to 6 inches or less.
- The maximum allowable drawdown time of the water storage area is 24 hours. A correction factor of 0.33 to 1 (no correction factor) as recommended by a licensed geotechnical professional should be applied to initial measured infiltration rates of the in situ soils to determine the design rate for this drawdown calculation. The designed water storage depth (2" minimum to 12" maximum) must be considered in light of the drawdown time requirement (e.g., in slow draining soils, the designed ponding depth may need to be decreased in order to meet the drawdown criteria). As an example, a 6" deep pool with an initial measured rate of 0.5 in/hour and a correction factor of 0.5 applied will achieve drawdown in exactly 24 hours (0.5 in/hour x 0.5 correction factor x 24 hours = 6 inches).
- The bottom slope shall be no more than 6 percent.

Additional requirements for water storage area design specific to bioretention facilities with side slopes include the following:

- The maximum planted side slope is 2.5H:1V. In the ROW, if the facility is on a curbless street and less than 50 feet of an intersection, the maximum planted sides slope is 3H:1V. If total facility depth exceeds 3 feet, the maximum planted side slope is 3H:1V. If steeper sides are necessary, rockery, concrete walls, or steeper soil wraps may be used.
- If berming is used to achieve the minimum top facility elevation needed to meet ponding depth and freeboard needs, the following requirements apply:
  - Maximum berm slope is 2.5H:1V
  - Minimum berm top width is 6 inches.
  - Soil used for berming where the permanent restoration is landscape shall meet the bioretention soil mix specification and be compacted to a minimum of 90 percent dry density.
  - A catch basin or rock pad must be provided to release water when the water level exceeds the 12 inches of water depth. The catch basin may discharge to the local drainage system or other acceptable discharge location via a 6-inch rigid pipe (private) or 8-inch rigid pipe (public). The rock pad may be used with or without a constructed drainage system downstream. If a rock pad is used, it must be composed of crushed or fractured rock, 6 inches deep and 2 feet wide (perpendicular to flow) and must extend at least 4 feet or beyond the containment berm, whichever is greater. The rock pad must be situated so that overflow does not cause erosion damage or unplanned inundation
- For trees planted alongside slopes of the bioretention cell, the maximum side slope around the tree is 1H:1V.
- The average bottom width for the facility shall be no less than 18 inches.

Additional requirements for water storage area design specific to bioretention facilities with vertical sides include the following:

- The facility width (planted area between walls) shall be no less than 2 feet. For plant health, the recommended minimum facility width is 4 feet.

Additional requirements for bioretention swales:

- Bioretention swales shall have a minimum 18-inch bottom width. Swales shall be flat in cross section to promote event flow across the width of the swale. See Renton Standard Details for design details for bioretention swales in the ROW.
- Bioretention swales shall meet the conveyance requirements described in Section 1.2.4.1 of this manual. Maximum 100-year peak flow velocity through bioretention swales is 3 feet per second.
- Maximum longitudinal (along direction of flow) slope of bioretention swales shall be 6%.

To address traffic and pedestrian safety concerns, the following additional requirements apply to bioretention facilities in the right-of-way:

- The following minimum setbacks shall be provided for facilities with sloped sides:
  - 2 feet minimum from face of curb to top of slope on non-major arterial streets
  - 4 feet minimum from face of curb to top of slope for major arterial street
  - 1 foot minimum from edge of sidewalk to top of slope
- A minimum of one access path across planting strip shall be provided between the street and public sidewalk for each parcel. Access paths shall be a minimum of 5 feet wide. It is preferred that the access path is within 15 feet of the structure access point (such as path to doorway or stairs).
- Bioretention cells shall not impact driveway/alley access. A 2-foot minimum setback shall be provided from the pavement edge of the driveway curb cut wing to the top (top of slope) of bioretention cell.
- A 2-foot minimum setback shall be provided from the edge of paving for the public sidewalk/curb ramp at the intersection to the top of slope of the bioretention cell. Curb ramp improvements are required whenever the construction of bioretention cells and associated street improvements remove pavement within the crosswalk area of the street or sidewalk, impact curbs, sidewalks, curb ramps, curb returns or landings within the intersection area, or affect access to or use of a public facility.

### **Bioretention Soil Mix**

Requirements for the bioretention soil mix include:

1. **An 18"-thick bioretention soil mix liner extending up slopes to maximum water storage depth** is required in the bioretention cell, swale, or planter. The bioretention soil mix shall be per Reference Section 11-C. Compost shall meet Specification 1 described in Reference Section 11-C.
2. Do not use filter fabrics between the subgrade and the Bioretention Soil Mix. The gradation between existing soils and Bioretention Soil Mix is typically not great enough to allow significant migration of fines into the Bioretention Soil Mix. Additionally, filter fabrics may clog with downward migration of fines from the Bioretention Soil Mix.
3. Onsite soil mixing or placement shall not be performed if Bioretention Soil Mix or subgrade soil is saturated. The bioretention soil mixture should be placed and graded by machinery operating adjacent to the bioretention facility.
4. If machinery must operate in the bioretention cell for soil placement, use light weight equipment with low ground-contact pressure. The soil mixture shall be placed in horizontal layers not to exceed 12 inches per lift for the entire area of the bioretention facility.
5. Compact the Bioretention Soil Mix to a relative compaction of 85 percent of modified maximum dry density (ASTM D 1557). Compaction can be achieved by boot packing (simply walking over all areas of each lift), and then apply 0.2 inches (0.5 cm) of water per 1 inch (2.5 cm) of Bioretention Soil Mix depth. Water for settling should be applied by spraying or sprinkling.
6. Prior to placement of the BSM, the finished subgrade shall: (a) Be scarified to a minimum depth of 3 inches; (b) have any sediment deposited from construction runoff removed (to remove all introduced sediment, subgrade soil should be removed to a depth of 3–6 inches and replaced with BSM); and (c) be inspected by the responsible engineer to verify required subgrade condition.

7. If using the default bioretention soil mix described in Reference Section 11-C, pre-placement laboratory analysis for saturated hydraulic conductivity of the bioretention soil mix is not required. Verification of the mineral aggregate gradation, compliance with the compost specifications, and the mix ratio must be provided.
8. Custom bioretention soil mixes may be considered under the adjustment process described in Section 1.4.
9. Bioretention constructed with imported compost materials are not allowed within one-quarter mile of a sensitive lake if the underlying native soil does not meet the soil suitability criteria for treatment in Section 5.2.1.
10. Bioretention constructed with imported compost materials are not allowed within ¼ mile of those waterbodies listed as category 2, 4, or 5 for either nutrients or low DO determined to be caused by nutrients. These waterbodies are found on Ecology's combined 303(d)/305(b) Water Quality Assessment list. The exception to this prohibition is where phosphorous is the identified nutrient and the underlying native soil meets soil suitability criteria for treatment described in Section 5.2.1.

### Subgrade

The minimum measured subgrade infiltration rate for bioretention facilities without underdrains is 0.3 inches per hour. For bioretention facilities with underdrains, there is no minimum subgrade infiltration rate.

During construction, the subgrade soil surface can become smeared and sealed by excavation equipment. The design shall require scarification or raking of the side walls and bottom of the bioretention facility excavation to a minimum depth of 4 inches after excavation to restore infiltration rate.

Follow the process outlined in Section 5.2.1 for determining the design infiltration rate for the subgrade.

### Underdrain (if required)

Underdrain systems must be installed if the bioretention facility is:

- Located near sensitive infrastructure (e.g., unsealed basements) and potential for flooding is likely
- Used for filtering stormwater flows from gas stations or other pollutant hotspots (requires an impermeable liner)
- Located above subgrade soils with a measured infiltration rate of less than 0.3 inches per hour.
- In an area that does not provide a minimum of 3 feet of clearance between the lowest elevation of the bioretention soil mix, or any underlying gravel layer, and the seasonal high groundwater elevation or other impermeable layer

The underdrain pipe diameter will depend on hydraulic capacity required. The underdrain shall be connected to an *acceptable discharge point* which can either be an enclosed drainage system (i.e., pipe system, culvert, or tightline) or an open drainage feature (e.g., second bioretention cell, ditch, channel).

Requirements associated with the underdrain design include:

- Slotted subsurface drain PVC per ASTM D1785 SCH 40.
- Slots should be cut perpendicular to the long axis of the pipe and be 0.04 to 0.069 inches by 1 inch long and be spaced 0.25 inches apart (spaced longitudinally). Slots should be arranged in four rows spaced on 45-degree centers and cover ½ of the circumference of the pipe.
- Underdrain pipe shall have a minimum diameter of 8 inches in the public ROW and 6 inches for private property.
- Underdrain pipe slope shall be no less than 0.5 percent unless otherwise specified by an engineer.
- Pipe shall be placed in filter material and have a minimum cover depth of 12 inches and bedding depth of 6 inches. Cover depth may be reduced up to 6 inches in order to discharge stormwater from the facility under gravity flow conditions while meeting the applicable engineering standards, if approved by the City.
- Filter material shall meet the specifications in Table 6.8.1.C.

<b>TABLE 6.8.1.C. UNDERDRAIN AGGREGATE</b>	
<b>Sieve Size</b>	<b>Percent Passing</b>
¾ inch	100 percent
¼ inch	30 to 60 percent
U.S. No. 8	20 to 50 percent
U.S. No. 50	3 to 12 percent
U.S. No. 200	0 to 1 percent

- Underdrains shall have a maintenance access point (e.g., cleanout, observation port, overflow structure) at each end of a facility and a minimum of every 100 feet along the pipe. Cleanouts and observation ports shall have locking cast iron caps and shall be constructed of non-perforated pipe (sized to match the underdrain diameter).
- When bioretention facilities with underdrains drain to a retention or detention facility, the subsurface gravel reservoir beneath the underdrain pipe shall be widened to extend across the entire facility bottom.
- If an orifice is included in the design, the minimum diameter shall be 0.5 inches to minimize clogging and maintenance requirements.

### **Overflow**

A bioretention facility overflow controls overtopping with a pipe, an earthen channel, a weir, or a curb cut installed at the designed maximum ponding elevation and is connected to a downstream BMP or an approved point of discharge.

The minimum requirements associated with the overflow design include the following:

- Overflows shall convey any flow exceeding the capacity of the facility.
- The overflow point of the water storage area (i.e., freeboard) shall be at least 6 inches below any adjacent pavement area.
- The overflow point must be situated so that overflow does not cause erosion damage or unplanned inundation
- The drain pipe, if used, shall have a minimum diameter of 8 inches in the public ROW and 6 inches for private property.

### **Liners (optional)**

Adjacent roads, foundations, slopes, utilities, or other infrastructure may require that certain infiltration pathways are restricted to prevent excessive hydrologic loading. Two types of hydraulic restricting layers can be incorporated into bioretention facility designs with underdrains:

- Clay (bentonite) liners as low permeability liners
- Geomembrane liners which completely block flow

### **Plants**

In general, the predominant plantings used in bioretention facilities are species adapted to stresses associated with wet and dry conditions. Soil moisture conditions will vary within the facility from saturated (bottom of cell) to relatively dry (rim of cell). Accordingly, wetland plants may be planted in the lower areas and drought-tolerant species planted on the perimeter of the facility or on mounded areas. Trees outside of the saturated zone are allowed as part of bioretention facility designs. Trees installed in the public ROW must also comply with the City's Street Tree Standards (RMC 4-4-070).

Requirements associated with the vegetation design include the following:

- The design plans shall specify that vegetation coverage of plants will achieve 90 percent coverage within 2 years. For this purpose, cover is defined as canopy cover and should be measured when deciduous plants are in bloom.



- For facilities receiving runoff from 5,000 square feet or more impervious surface, plant spacing and plant size shall be designed by a licensed landscape architect to achieve specified coverage.
- The plants shall be sited according to sun, soil, wind, and moisture requirements.
- At a minimum, provisions shall be made for supplemental irrigation/watering during the first two growing seasons following installation and in subsequent periods of drought.
- Water tolerant plants shall be planted in the pond bottom.
- Plants native to Western Washington are preferred.

### Mulch

Properly selected organic mulch material reduces weed establishment, regulates soil temperatures and moisture, and adds organic matter to the soil. Compost and arborist wood chip mulch are required for different applications within the bioretention cell. Compost mulch is an excellent slow-release source of plant nutrients and does not float, but compost does not suppress weed growth as well as bulkier, higher carbon mulches like arborist wood chips. Arborist wood chips are superior to bark mulch in promoting plant growth, feeding beneficial soil organisms, reducing plant water stress, and maintaining surface soil porosity.

Requirements associated with organic mulch include:

- Organic mulch in the bottom of the cell and up to the ponding elevation shall consist of coarse compost. Coarse compost shall meet the requirements for fine compost provided in Reference Section 11-C and the following gradation by dry weight:

Sieve Size	Percent Passing	
	Minimum	Maximum
3"	100%	
1"	90%	100%
3/4"	70%	100%
1/4"	40%	6%

- Organic mulch on cell slopes above the ponding elevation and the around the rim area shall consist of arborist wood chip mulch. Arborist wood chip mulch shall meet the criteria below:
  - Arborist wood chip mulch shall be coarse ground wood chips (approximately 0.5 inch to 6 inches along the longest dimension) derived from the mechanical grinding or shredding of the aboveground portions of trees. It may contain wood, wood fiber, bark, branches, and leaves; but may not contain visible amounts of soil. It shall be free of weeds and weed seeds Including but not limited to plants on the King County Noxious Weed list available at: [www.kingcounty.gov/weeds](http://www.kingcounty.gov/weeds), and shall be free of invasive plant portions capable of resprouting, including but not limited to horsetail, ivy, clematis, knotweed, etc. It may not contain more than 0.5 percent by weight of manufactured inert material (plastic, concrete, ceramics, metal, etc.).
  - Arborist wood chip mulch, when tested, shall meet the following loose volume gradation:

Sieve Size	Percent Passing	
	Minimum	Maximum
2"	95	100
1"	70	100
5/8"	0	50
1/4"	0	40

No particles may be longer than eight inches.

- A minimum of 2 inches and a maximum of 3 inches for both types of organic mulch

In bioretention areas where higher flow velocities are anticipated, an aggregate mulch may be used to dissipate flow energy and protect underlying bioretention soil. Aggregate mulch varies in size and type, but 1- to 1.5-inch gravel (rounded) decorative rock is typical. The aggregate mulch shall be washed rock (free of fines) and the area covered with aggregate mulch shall not exceed one-fourth of the facility bottom area.

As an alternative to mulch, a dense groundcover may be used. Mulch is required in conjunction with the groundcover until groundcover is established.

### **Check Dams and Weirs**

Check dams are necessary for reducing flow velocity and potential erosion, as well as increasing detention time and infiltration capability on sloped sites. Typical materials include concrete, rock, compacted dense soil covered with vegetation, and vegetated hedge rows. Design depends on flow control goals, local regulations for structures within road right-of-ways and aesthetics. Optimum spacing is determined by modeling and cost considerations.

### **UIC Discharge**

Stormwater that has passed through the bioretention soil mix may also discharge to a gravel-filled dug or drilled drain. Underground Injection Control (UIC) regulations are applicable and must be followed (Chapter 173-218 WAC).

## **6.8.1.2 INSTALLATION**

### **Excavation**

Soil compaction can lead to facility failure; accordingly, minimizing compaction of the base and sidewalls of the bioretention area is critical. Excavation should never be allowed during wet or saturated conditions (compaction can reach depths of 2-3 feet during wet conditions and mitigation is likely not be possible). Excavation should be performed by machinery operating adjacent to the bioretention facility and no heavy equipment with narrow tracks, narrow tires, or large lugged, high pressure tires should be allowed on the bottom of the bioretention facility. If machinery must operate in the bioretention cell for excavation, use light weight, low ground-contact pressure equipment and rip the base at completion to refracture soil to a minimum of 12 inches. If machinery operates in the facility, subgrade infiltration rates must be field tested and compared to design rates. Failure to meet or exceed the design infiltration rate will require revised engineering designs to verify achievement of treatment and flow control benefits that were estimated in the Stormwater Site Plan.

Prior to placement of the bioretention soil mix, the finished subgrade shall:

- Be scarified to a minimum depth of 3 inches.
- Have any sediment deposited from construction runoff removed. To remove all introduced sediment, subgrade soil should be removed to a depth of 3–6 inches and replaced with bioretention soil mix.
- Be inspected by the responsible engineer to verify required subgrade condition.

Sidewalls of the facility, beneath the surface of the bioretention soil mix, can be vertical if soil stability is adequate. Exposed sidewalls of the completed bioretention area with bioretention soil mix in place should be no steeper than 3H:1V. The bottom of the facility should be flat.

### **Soil Placement**

Onsite soil mixing or placement shall not be performed if bioretention soil mix or subgrade soil is saturated. The bioretention soil mixture should be placed and graded by machinery operating adjacent to the bioretention facility. If machinery must operate in the bioretention cell for soil placement, use light weight equipment with low ground-contact pressure. If machinery operates in the facility, subgrade infiltration rates must be field tested and compared to design rates. Failure to meet or exceed the design infiltration rate will require revised engineering designs to verify achievement of treatment and flow control benefits that were estimated in the Stormwater Site Plan.

The soil mixture shall be placed in horizontal layers not to exceed 12 inches per lift for the entire area of the bioretention facility.

Compact the bioretention soil mix to a relative compaction of 85 percent of modified maximum dry density (ASTM D 1557). Compaction can be achieved by boot packing (simply walking over all areas of each lift), and then apply 0.2 inches (0.5 cm) of water per 1 inch (2.5 cm) of bioretention soil mix depth. Water for settling should be applied by spraying or sprinkling.

### **Temporary Erosion and Sediment Control (TESC)**

Controlling erosion and sediment are most difficult during clearing, grading, and construction; accordingly, minimizing site disturbance to the greatest extent practicable is the most effective sediment management. During construction:

- Bioretention facilities should not be used as sediment control facilities and all drainage should be directed away from bioretention facilities after initial rough grading. Flow can be directed away from the facility with temporary diversion swales or other approved protection. If introduction of construction runoff cannot be avoided see below for guidelines.
- Construction on bioretention facilities should not begin until all contributing drainage areas are stabilized according to erosion and sediment control BMPs and to the satisfaction of the engineer.
- If the design includes curb and gutter, the curb cuts and inlets should be blocked until bioretention soil mix and mulch have been placed and planting completed (when possible), and dispersion pads are in place.

Every effort during design, construction sequencing and construction should be made to prevent sediment from entering bioretention facilities. However, bioretention areas are often distributed throughout the project area and can present unique challenges during construction.

Erosion and sediment control practices must be inspected and maintained on a regular basis.

### **6.8.1.3 VERIFICATION**

If using the default bioretention soil mix, pre-placement laboratory analysis for saturated hydraulic conductivity of the bioretention soil mix is not required. Verification of the mineral aggregate gradation, compliance with the compost specifications, and the mix ratio must be provided.

If using a custom bioretention soil media, verification of compliance with the minimum design criteria cited above for such custom mixes must be provided. This will require laboratory testing of the material that will be used in the installation. Testing shall be performed by a Seal of Testing Assurance, AASHTO, ASTM or other standards organization accredited laboratory with current and maintained certification. Samples for testing must be supplied from the bioretention soil mix that will be placed in the bioretention areas.

If testing infiltration rates is necessary for post-construction verification use the Pilot Infiltration Test (PIT) method or a double ring infiltrometer test (or other small-scale testing allowed by the local government with jurisdiction). If using the PIT method, do not excavate bioretention soil mix (conduct test at level of finished bioretention soil mix elevation), use a maximum of 6 inch ponding depth and conduct test before plants are installed.

### **6.8.1.4 RUNOFF MODEL REPRESENTATION IN WWHM2012**

Use new bioretention element for each type: cell, swale, or planter box.

The equations used by the elements are intended to simulate the wetting and drying of soil as well as how the soils function once they are saturated. This group of LID elements uses the modified Green Ampt equation to compute the surface infiltration into the amended soil. The water then moves through the top amended soil layer at the computed rate, determined by Darcy's and Van Genuchten's equations. As the soil approaches field capacity (i.e., gravity head is greater than matric head), the model determines when

water will begin to infiltrate into the second soil layer (lower layer). This occurs when the matric head is less than the gravity head in the first layer (top layer). The second layer is intended to prevent loss of the amended soil layer. As the second layer approaches field capacity, the water begins to move into the third layer – the gravel underlayer. For each layer, the user inputs the depth of the layer and the type of soil.

For the bioretention soil mix, the model will automatically assign pre-determined appropriate values for parameters that determine water movement through that soil. These include: wilting point, minimum hydraulic conductivity, maximum saturated hydraulic conductivity, and Van Genuchten number.

If a user opts to use soils that deviate from the bioretention soil mix specifications, the default parameter values do not apply. The user will have to use the “Gravel trench/bed” element to represent the bioretention facility and follow the procedures identified for WWHM3 in Section 6.8.1.5.

For bioretention facilities with underdrains, the only volume available for storage (and modeled as storage as explained herein) is the void space within the aggregate bedding layer below the invert of the drain pipe. Use 40% void space for the Type 26 mineral aggregate specified in Table 6.8.1.C.

Using one of the procedures explained in Section 5.2.1, estimate the initial measured (a.k.a., short-term) infiltration rate of the native soils beneath the bioretention soil and any base materials. Because these soils are protected from fouling, no correction factor will be applied.

### **6.8.1.5 RUNOFF MODEL REPRESENTATION IN WWHM3**

#### **Pothole design (bioretention cells)**

Bioretention is represented by using the “Gravel trench/bed” element with a steady-state infiltration rate. Proper infiltration rate selection is described in Section 5.2.1. The user inputs the dimensions of the gravel trench. Layer 1 on the input screen is the bioretention soil layer. Enter the soil depth and a porosity of 40%. Layer 2 is the free standing water above the bioretention soil. Enter the maximum depth of free standing water (i.e., up to the invert of an overflow pipe or a spillway, whatever engages first for surface release of water), and 100% for porosity. Bioretention with underdrains can also be modeled as a gravel trench/bed with a steady-state infiltration rate. However, the only volume available for storage (and modeled as storage as explained herein) is the void space within the imported material (usually sand or gravel) below the bioretention soil layer and below the invert of the drain pipe.

Using one of the procedures explained in Section 5.2.1, estimate the initial measured (a.k.a., short-term) infiltration rate of the native soils beneath the bioretention soil and any base materials. Because these soils are protected from fouling, no correction factor will be applied.

#### **Facilities without an underdrain**

If using the default bioretention soil mix, 12 inches per hour is the initial infiltration rate. The long-term rate is either 3 inches per hour or 6 inches per hour depending upon the size of the drainage area and the use of a pretreatment device for solids removal prior to the bioretention facility. See Section 5.2.1. If using a custom imported soil mix other than the default, its saturated hydraulic conductivity (used as the infiltration rate) must be determined using the procedures described in Section 5.2.1. The long-term infiltration rate is one-fourth or one-half of that rate depending upon the size of the drainage area and the use of a pretreatment device for solids removal. See Section 5.2.1.

#### **Facilities with an elevated underdrain**

Note that only the estimated void space of the aggregate bedding layer that is below the invert of the underdrain pipe provides storage volume that provides a flow control benefit. Assume a 40% void volume for the Type 26 mineral aggregate specified in Table 6.8.1.C.

#### **Linear Design: (bioretention swale or slopes)**

Where a bioretention swale has a roadside slope and a back slope between which water can pond, and an overflow/drainage pipe at the lower end of the swale, the swale may be modeled as a gravel trench/bed

with a steady state infiltration rate. This method does not apply to bioretention swales that are underlain by a drainage pipe.

If the long-term infiltration rate through the imported bioretention soil is lower than the infiltration rate of the underlying soil, the surface dimensions and slopes of the swale should be entered into WWHM3 as the trench dimensions and slopes. The effective depth is the distance from the soil surface at the bottom of the swale to the invert of the overflow/drainage pipe. If the infiltration rate through the underlying soil is lower than the estimated long-term infiltration rate through the imported bioretention soil mix, the gravel trench/bed dimensions entered into WWHM3 should be adjusted to account for the storage volume in the void space of the bioretention soil. Use 40 percent porosity for the bioretention soil mix.

This procedure to estimate storage space should only be used on bioretention swales with a 1% slope or less. Swales with higher slopes should more accurately compute the storage volume in the swale below the drainage pipe invert.

For a bioretention swale with an underdrain, follow the directions provided above.

### **WWHM Routing and Runoff File Evaluation**

In WWHM3, all infiltrating facilities must have an overflow riser to model overflows that occur should the available storage be exceeded. In the Riser/Weir screen, for the Riser head enter a value slightly smaller than the effective depth of the trench (e.g., 0.1 ft below the Effective Depth); and for the Riser diameter enter a large number (e.g., 10,000 inches) to ensure that there is ample capacity for overflows.

Within the model, route the runoff into the gravel trench by placing the gravel trench/bed element below the tributary “basin” area. Include the surface area of the bioretention area in the tributary “basin” area. Run the model to produce the effluent runoff file from the theoretical gravel trench.

## **6.8.1.6 MODELING OF MULTIPLE BIORETENTION FACILITIES**

Where multiple bioretention facilities are scattered throughout a development, it may be possible to cumulatively represent a group of them that have similar characteristics as one large bioretention facility serving the cumulative area tributary to those facilities. For this to be a reasonable representation, the design of each bioretention facility in the group should be similar (e.g., same depth of soil, same depth of surface ponded water, roughly the same ratio of impervious area to bioretention volume). In addition, the group should have similar (0.5x to 1.5x the average) controlling infiltration rates (i.e., either the long-term rate of the bioretention soil mix, or the initial rate of the underlying soil) that can be averaged as a single infiltration rate.

*(This page intentionally left blank.)*

## 6.9 WSDOT WQ FACILITY DESIGNS

This section presents the methods, details of analysis, and design criteria for the following WSDOT WQ facilities:

- “Media Filter Drain (MFD),” Section 6.9.1
- “Compost-Amended Vegetated Filter Strips (CAVFS),” Section 6.9.2
- “Compost-amended biofiltration swales (CABS),” Section 6.9.3

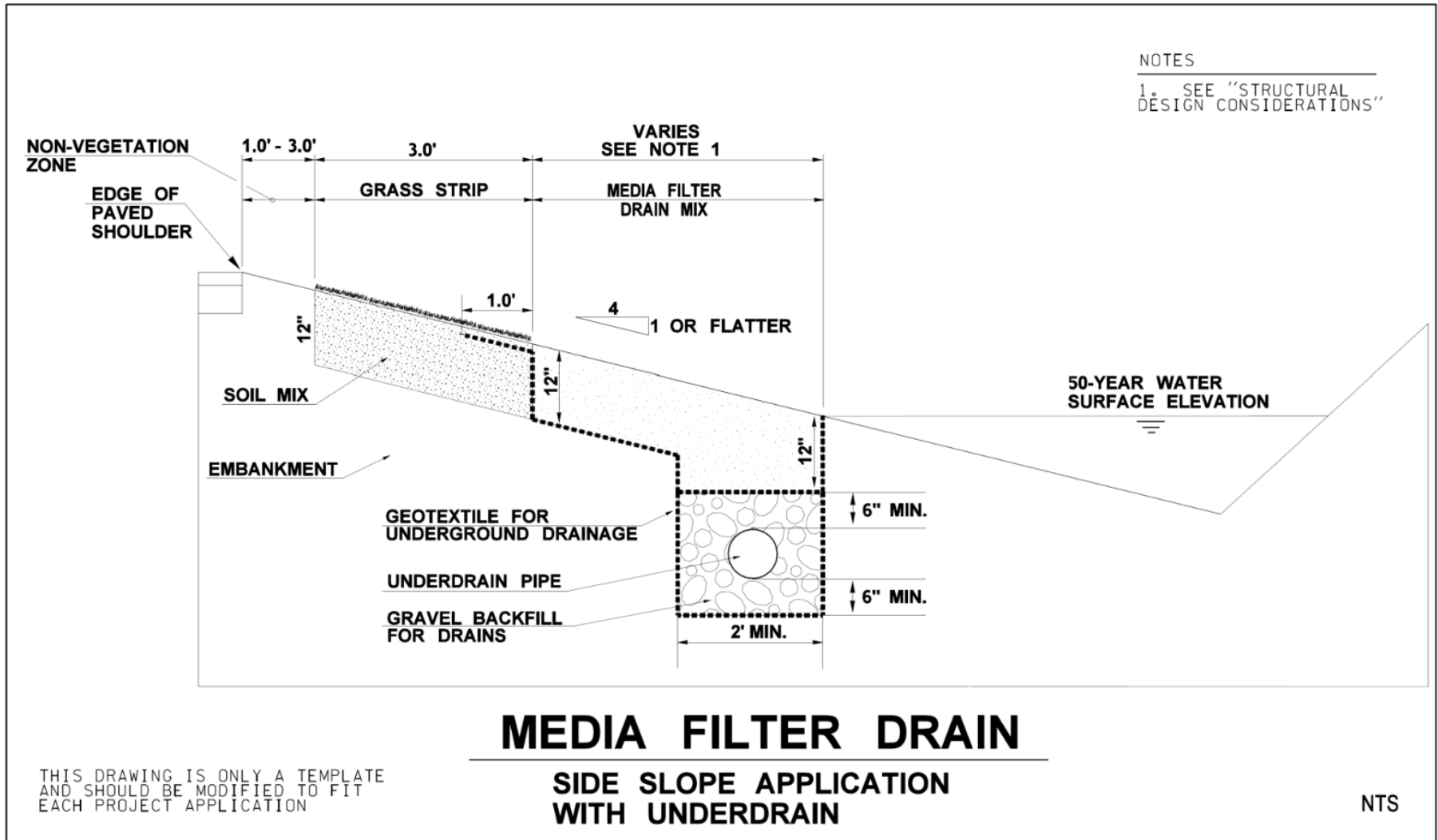
### 6.9.1 MEDIA FILTER DRAIN

The media filter drain (MFD), previously referred to as the ecology embankment, is a linear flow-through stormwater runoff treatment device that can be sited along highway side slopes (conventional design) and medians (dual MFDs), borrow ditches, or other linear depressions. Cut-slope applications may also be considered. The MFD can be used where available right of way is limited, sheet flow from the highway surface is feasible, and lateral gradients are generally less than 25% (4H:1V).

MFDs have four basic components: a gravel no-vegetation zone, a grass strip, the MFD mix bed, and a conveyance system for flows leaving the MFD mix. This conveyance system usually consists of a gravel-filled underdrain trench or a layer of crushed surfacing base course (CSBC). This layer of CSBC must be porous enough to allow treated flows to freely drain away from the MFD mix.

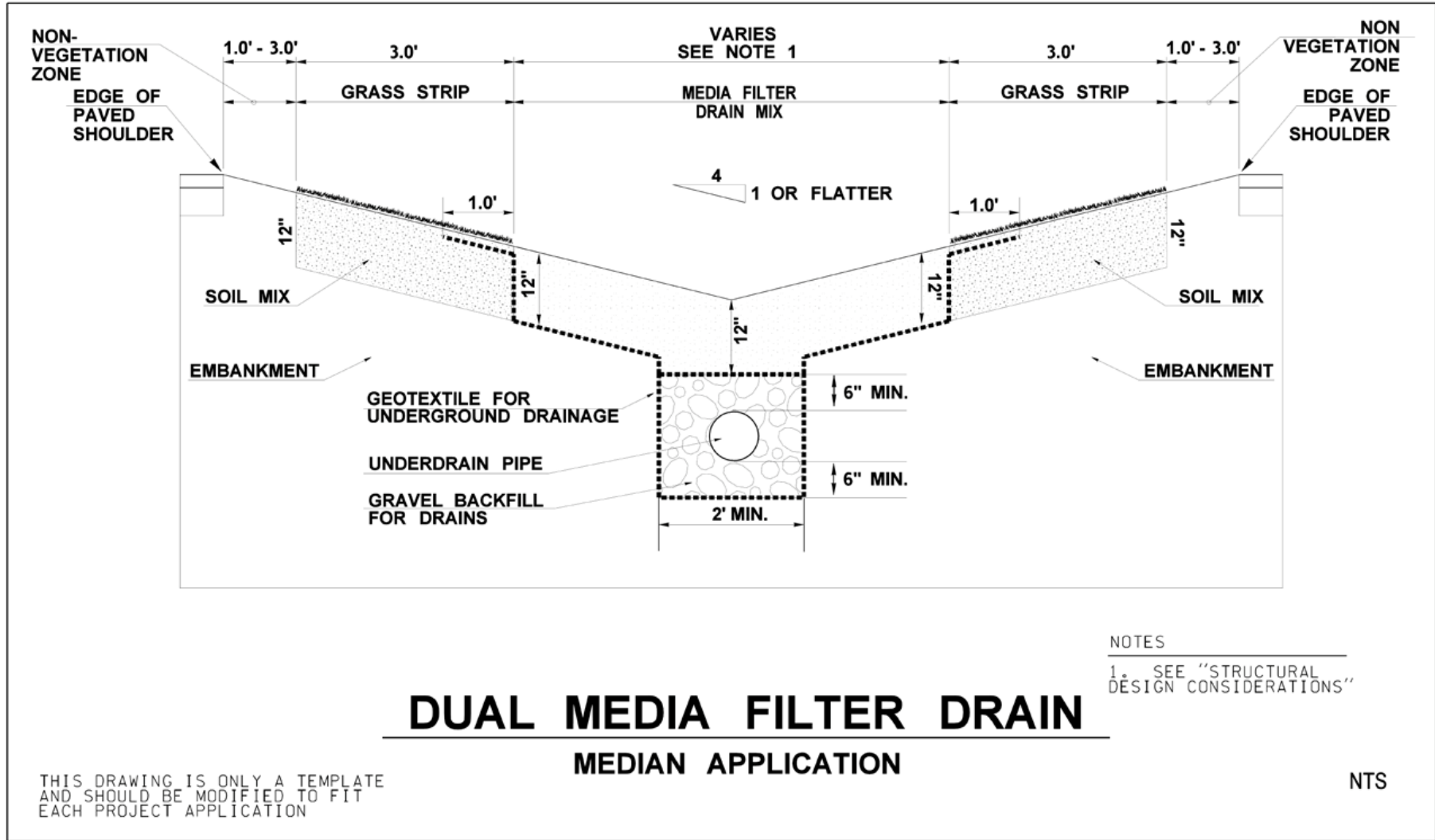
Typical MFD configurations are shown in Figures 6.9.1.A, 6.9.1.B, and 6.9.1.C.

**FIGURE 6.9.1.A MEDIA FILTER DRAIN: SIDE SLOPE APPLICATION WITH UNDERDRAIN**

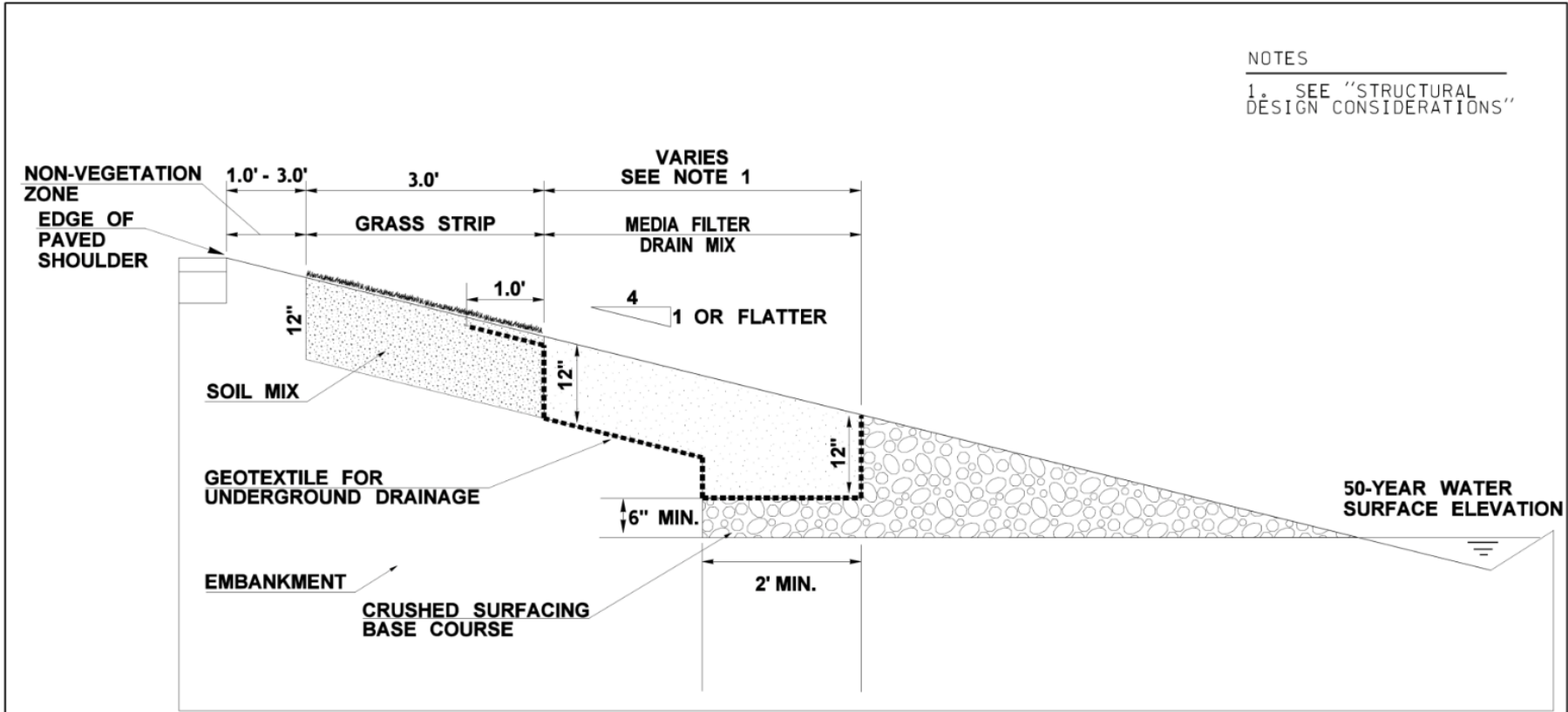




**FIGURE 6.9.1.B DUAL MEDIA FILTER DRAIN: MEDIAN APPLICATION**



**FIGURE 6.9.1.C MEDIA FILTER DRAIN: SIDE SLOPE APPLICATION WITHOUT UNDERDRAIN**



# MEDIA FILTER DRAIN

## SIDE SLOPE APPLICATION WITHOUT UNDERDRAIN

NTS

THIS DRAWING IS ONLY A TEMPLATE AND SHOULD BE MODIFIED TO FIT EACH PROJECT APPLICATION

## Functional Description

The MFD removes suspended solids, phosphorus, and metals from highway runoff through physical straining, ion exchange, carbonate precipitation, and biofiltration.

Stormwater runoff is conveyed to the MFD via sheet flow over a vegetation-free gravel zone to ensure sheet dispersion and provide some pollutant trapping. Next, a grass strip, which may be amended with composted material, is incorporated into the top of the fill slope to provide pretreatment, further enhancing filtration and extending the life of the system. The runoff is then filtered through a bed of porous, alkalinity-generating granular medium—the MFD mix. MFD mix is a fill material composed of crushed rock (sized by screening), dolomite, gypsum, and perlite. The dolomite and gypsum additives serve to buffer acidic pH conditions and exchange light metals for heavy metals. Perlite is incorporated to improve moisture retention, which is critical for the formation of biomass epilithic biofilm to assist in the removal of solids, metals, and nutrients. Treated water drains from the MFD mix bed into the conveyance system below the MFD mix. Geotextile lines the underside of the MFD mix bed and the conveyance system.

The underdrain trench is an option for hydraulic conveyance of treated stormwater to a desired location, such as a downstream flow control facility or stormwater outfall. The trench's perforated underdrain pipe is a protective measure to ensure free flow through the MFD mix and to prevent prolonged ponding. It may be possible to omit the underdrain pipe if it can be demonstrated that the pipe is not necessary to maintain free flow through the MFD mix and underdrain trench.

It is critical to note that water should sheet flow across the MFD. Channelized flows or ditch flows running down the middle of the dual MFD (continuous off-site inflow) should be minimized.

## Applications and Limitations

In many instances, conventional runoff treatment is not feasible due to right of way constraints (such as adjoining wetlands and geotechnical considerations). The MFD and the dual MFD designs are runoff treatment options that can be sited in most right of way confined situations. In many cases, a MFD or a dual MFD can be sited without the acquisition of additional right of way needed for conventional stormwater facilities or capital-intensive expenditures for underground wet vaults.

### Media Filter Drains

- The longest flow path from the contributing area delivering sheet flow to the MFD should not exceed 150 feet.
- If there is sufficient roadway embankment width, the designer should consider placing the grass strip and MFD mix downslope when feasible.
- **Steep slopes.** Avoid construction on longitudinal slopes steeper than 5%. As side slopes approach 3H:1V, without design modifications, sloughing may become a problem due to friction limitations between the separation geotextile and underlying soils. Avoid construction on 3H:1V lateral slopes, and preferably use less than 4H:1V slopes. In areas where lateral slopes exceed 4H:1V, it may be possible to construct terraces to create 4H:1V slopes or to otherwise stabilize up to 3H:1V slopes.
- **Wetlands.** Do not construct in wetlands and wetland buffers. In many cases, a MFD (due to its small lateral footprint) can fit within the highway fill slopes adjacent to a wetland buffer. In those situations where the highway fill prism is located adjacent to wetlands, an interception trench/underdrain will need to be incorporated as a design element in the MFD.
- **Shallow ground water.** The designer should ensure the MFD does not intercept seeps, springs, or ground water. Mean high water table levels at the project site need to be determined to ensure the MFD mix bed and the underdrain (if needed) will not become saturated by shallow ground water.
- **Unstable slopes.** In areas where slope stability may be problematic, consult a geotechnical engineer.
- **Areas of seasonal ground water inundations or basement flooding.** Site-specific piezometer data may be needed in areas of suspected seasonal high ground water inundations. The hydraulic and runoff treatment performance of the dual MFD may be compromised due to backwater effects and lack of sufficient hydraulic gradient.

- **Narrow roadway shoulders.** In areas where there is a narrow roadway shoulder that does not allow enough room for a vehicle to fully stop or park, consider placing the MFD farther down the embankment slope. This will reduce the amount of rutting in the MFD and decrease overall maintenance repairs.

### Dual Media Filter Drain for Medians

The dual MFD is fundamentally the same as the side-slope version. It differs in siting and is more constrained with regard to drainage options. Prime locations for dual MFDs are medians, roadside drainage or borrow ditches, or other linear depressions. It is especially critical for water to sheet flow across the dual MFD. Channelized flows or ditch flows running down the middle of the dual MFD (continuous off-site inflow) should be minimized.

## 6.9.1.1 METHODS OF ANALYSIS

### Media Filter Drain Mix Bed Sizing Procedure

The basic design concept behind the MFD and dual MFD is to fully filter all runoff through the MFD mix. Therefore, the infiltration capacity of the medium and drainage below needs to match or exceed the hydraulic loading rate. The MFD mix should be a minimum of 12 inches deep, including the section on top of the underdrain trench. Table 6.9.1.1.A was developed to simplify the design steps and should be used to establish an appropriate width. In general, the length of a MFD or dual MFD is the same as the contributing pavement. Any length is acceptable as long as the surface area MFD mix bed is sufficient to fully infiltrate the runoff treatment design flow rate.

TABLE 6.9.1.1.A DESIGN WIDTHS FOR MEDIA FILTER DRAINS	
Pavement Width that Contributes Runoff to the Media Filter Drain	Minimum Media Filter Drain Width*
≤ 20 feet	2 feet
≥ 20 and ≤ 35 feet	3 feet
> 35 feet	4 feet

\*Width does not include the required 1- to 3-foot gravel vegetation-free zone or the 3-foot filter strip width (see Figure 6.9.1.A).

### Underdrain Design

Underdrain pipe can provide a protective measure to ensure free flow through the MFD mix and is sized similar to storm drains. For MFD underdrain sizing, an additional step is required to determine the flow rate that can reach the underdrain pipe. This is done by comparing the contributing basin flow rate to the infiltration flow rate through the media filter mix and then using the smaller of the two to size the underdrain. The analysis described below considers the flow rate per foot of MFD, which allows you the flexibility of incrementally increasing the underdrain diameter where long lengths of underdrain are required. When underdrain pipe connects to a storm drain system, place the invert of the underdrain pipe above the 25-year water surface elevation in the storm drain to prevent backflow into the underdrain system.

The following describes the procedure for sizing underdrains installed in combination with MFDs.

1. Calculate the flow rate per foot from the contributing basin to the MFD. The design storm event used to determine the flow rate should be relevant to the purpose of the underdrain. For example, if the underdrain will be used to convey treated runoff to a detention facility, size the underdrain for the 50-year storm event. (See Chapter 4, for conveyance flow rate determination.)

$$\frac{Q_{highway}}{ft} = \frac{Q_{highway}}{L_{MFD}}$$

where:

$\frac{Q_{highway}}{ft}$  = contributing flow rate per foot (cfs/ft)

$L_{MFD}$  = length of MFD contributing runoff to the underdrain (ft)

2. Calculate the MFD flow rate of runoff per foot given an infiltration rate of 10 in/hr through the MFD mix.

$$Q_{\frac{MFD}{ft}} = \frac{f \times W \times 1ft}{ft} \times \frac{1ft}{12in} \times \frac{1hr}{3600sec}$$

where:

$Q_{\frac{MFD}{ft}}$  = flow rate of runoff through MFD mix layer (cfs/ft)

$W$  = width of underdrain trench (ft); the minimum width is 2 ft

$f$  = infiltration rate through the MFD mix (in/hr) = 10 in/hr

Size the underdrain pipe to convey the runoff that can reach the underdrain trench. This is taken to be the smaller of the contributing basin flow rate or the flow rate through the MFD mix layer.

$$Q_{\frac{UD}{ft}} = \text{smaller} \left\{ Q_{\frac{highway}{ft}} \text{ or } Q_{\frac{MFD}{ft}} \right\}$$

where:

$Q_{\frac{UD}{ft}}$  = underdrain design flow rate per foot (cfs/ft)

3. Determine the underdrain design flow rate using the length of the MFD and a factor of safety of 1.2.

$$Q_{UD} = 1.2 \times Q_{\frac{UD}{ft}} \times W \times L_{MFD}$$

where:

$Q_{UD}$  = estimated flow rate to the underdrain (cfs)

$W$  = width of the underdrain trench (ft); the minimum width is 2 ft

$L_{MFD}$  = length of MFD contributing runoff to the underdrain (ft)

4. Given the underdrain design flow rate, determine the underdrain diameter. Round pipe diameters to the nearest standard pipe size and have a minimum diameter of 6 inches. For diameters that exceed 12 inches, contact the City.

$$D = 16 \left( \frac{(Q_{UD} \times n)}{s^{0.5}} \right)^{3/8}$$

where:

D = underdrain pipe diameter (inches)

n = Manning's coefficient

s = slope of pipe (ft/ft)

### 6.9.1.2 DESIGN CRITERIA

Design criteria are provided in this section for the following elements:

- Inflow
- No-vegetation zone
- Grass strip
- Media filter drain mix bed
- Conveyance system below media filter drain mix bed
- Side slopes
- Signage

#### **Inflow**

Runoff is conveyed to a MFD using sheet flow from the pavement area. The longitudinal pavement slope contributing flow to a MFD should be less than 5%.

Although there is no lateral pavement slope restriction for flows going to a MFD, the designer should ensure flows remain as sheet flow.

#### **No-Vegetation Zone**

The no-vegetation zone (vegetation-free zone) is a shallow gravel zone located directly adjacent to the highway pavement. The no-vegetation zone is a crucial element in a properly functioning MFD or other BMPs that use sheet flow to convey runoff from the roadway surface to the BMP. The no-vegetation zone functions as a level spreader to promote sheet flow and a deposition area for coarse sediments. The no-vegetation zone should be between 1 foot and 3 feet wide. Depth will be a function of how the roadway section is built from subgrade to finish grade; the resultant cross section will typically be triangular to trapezoidal. Within these bounds, width varies depending on maintenance spraying practices.

#### **Grass Strip**

The width of the grass strip is dependent on the availability of space within the side slope. The baseline design criterion for the grass strip within the MFD is a 3-foot minimum width, but wider grass strips are recommended if the additional space is available. The designer may consider adding aggregate to the soil mix to help minimize rutting problems from errant vehicles. The soil mix should ensure grass growth for the design life of the MFD. Composted material used in the grass strip shall meet the specifications for compost in Reference Section 11-C. Landscaping for the grass strip is the same as for bioswales unless otherwise specified in the special provisions for the project's construction documents.

#### **Media Filter Drain Mix Bed**

The MFD mix is a mixture of crushed rock, dolomite, gypsum, and perlite as listed in Table 6.9.1.2.A. The MFD mix has an estimated initial filtration rate of 50 inches per hour and a long-term filtration rate of 28 inches per hour due to siltation. With an additional safety factor, the rate used to size the length of the

MFD should be 10 inches per hour. Mixing and transportation must occur in a manner that ensures the materials are thoroughly mixed prior to placement and that separation does not occur during transportation or construction operations.

### **Conveyance System Below Media Filter Drain Mix**

The gravel underdrain trench provides hydraulic conveyance when treated runoff needs to be conveyed to a desired location such as a downstream flow control facility or stormwater outfall.

In Group C and D soils, an underdrain pipe would help to ensure free flow of the treated runoff through the MFD mix bed. In some Group A and B soils, an underdrain pipe may be unnecessary if most water percolates into subsoil from the underdrain trench. The need for underdrain pipe should be evaluated in all cases. The underdrain trench should be a minimum of 2 feet wide for either the conventional or the dual MFD.

The gravel underdrain trench may be eliminated if there is evidence to support that flows can be conveyed laterally to an adjacent ditch or onto a fill slope that is properly vegetated to protect against erosion. The MFD mix should be kept free draining up to the 50-year storm event water surface elevation represented in the downstream ditch.

### **Side Slopes**

In profile, the surface of the MFD should preferably have a lateral slope less than 4H:1V (<25%). On steeper terrain, it may be possible to construct terraces to create a 4H:1V slope, or other engineering may be employed if approved by the City, to ensure slope stability up to 3H:1V. If sloughing is a concern on steeper slopes, consideration should be given to incorporating permeable soil reinforcements, such as geotextiles, open-graded/permeable pavements, or commercially available ring and grid reinforcement structures, as top layer components to the MFD mix bed. Consultation with a geotechnical engineer is required.

### **Signage**

Nonreflective guideposts will delineate the MFD. This practice allows personnel to identify where the system is installed and to make appropriate repairs should damage occur to the system. If the MFD is located in an *Aquifer Protection Area*, signage prohibiting the use of pesticides must be provided.

TABLE 6.9.1.2.A MEDIA FILTER DRAIN MIX

Amendment	Quantity																
<p><u>Mineral Aggregate: Aggregate for Media Filter Drain Mix</u> Aggregate for MFD Mix shall be manufactured from ledge rock, talus, or gravel in accordance with the WSDOT <i>Standard Specifications for Road, Bridge, and Municipal Construction</i>, which meets the following test requirements for quality. The use of recycled material is not permitted:</p> <p>Los Angeles Wear, 500 Revolutions      35% max. Degradation Factor                              30 min.</p> <p>Aggregate for the MFD Mix shall conform to the following requirements for grading and quality:</p> <table border="0"> <thead> <tr> <th><b>Sieve Size</b></th> <th><b>Percent Passing (by weight)</b></th> </tr> </thead> <tbody> <tr> <td>1/2" square</td> <td>100</td> </tr> <tr> <td>3/8" square</td> <td>90–100</td> </tr> <tr> <td>U.S. No. 4</td> <td>30–56</td> </tr> <tr> <td>U.S. No. 1</td> <td>0–10</td> </tr> <tr> <td>U.S. No. 200</td> <td>0–1.5</td> </tr> <tr> <td>% fracture, by weight, min.</td> <td>75</td> </tr> <tr> <td>Static stripping test</td> <td>Pass</td> </tr> </tbody> </table> <p>The fracture requirement shall be at least two fractured faces and will apply to material retained on the U.S. No. 10.</p> <p>Aggregate for the MFD shall be substantially free from adherent coatings. The presence of a thin, firmly adhering film of weathered rock shall not be considered as coating unless it exists on more than 50% of the surface area of any size between successive laboratory sieves.</p>	<b>Sieve Size</b>	<b>Percent Passing (by weight)</b>	1/2" square	100	3/8" square	90–100	U.S. No. 4	30–56	U.S. No. 1	0–10	U.S. No. 200	0–1.5	% fracture, by weight, min.	75	Static stripping test	Pass	3 cubic yards
<b>Sieve Size</b>	<b>Percent Passing (by weight)</b>																
1/2" square	100																
3/8" square	90–100																
U.S. No. 4	30–56																
U.S. No. 1	0–10																
U.S. No. 200	0–1.5																
% fracture, by weight, min.	75																
Static stripping test	Pass																
<p><u>Perlite:</u> Horticultural grade, free of any toxic materials) 0–30% passing US No. 18 Sieve 0–10% passing US No. 30 Sieve</p>	1 cubic yard per 3 cubic yards of mineral aggregate																
<p><u>Dolomite: CaMg(CO<sub>3</sub>)<sub>2</sub> (calcium magnesium carbonate)</u> Agricultural grade, free of any toxic materials) 100% passing US No. 8 Sieve 0% passing US No. 16 Sieve</p>	10 pounds per cubic yard of perlite																
<p><u>Gypsum: Noncalcined, agricultural gypsum CaSO<sub>4</sub>•2H<sub>2</sub>O (hydrated calcium sulfate)</u> Agricultural grade, free of any toxic materials) 100% passing US No. 8 Sieve 0% passing US No. 16 Sieve</p>	1.5 pounds per cubic yard of perlite																



## 6.9.2 COMPOST-AMENDED FILTER STRIPS

The CAVFS is a variation of the basic vegetated filter strip that adds soil amendments to the roadside embankment (See Figure 6.9.2.A). The soil amendments improve infiltration characteristics, increase surface roughness, and improve plant sustainability. Once permanent vegetation is established, the advantages of the CAVFS are higher surface roughness; greater retention and infiltration capacity; improved removal of soluble cationic contaminants through sorption; improved overall vegetative health; and a reduction of invasive weeds. Compost-amended systems have somewhat higher construction costs due to more expensive materials, but require less land area for runoff treatment, which can reduce overall costs.

### 6.9.2.1 METHODS OF ANALYSIS

Use the “CAVFS” element in an approved continuous runoff model to determine the amount of water that is treated by the CAVFS. To fully meet treatment requirements, 91 percent of the influent runoff file must pass through the soil profile of the CAVFS. Water that merely flows over the surface is not considered treated. Approved continuous runoff models should be able to report the amount of water that it estimates will pass through the soil profile.

### 6.9.2.2 DESIGN CRITERIA

#### Soil Component

- The texture for the soil component should be loamy sand (USDA Soil Textural Classification).

#### Compost Component

- Compost shall be per the specifications in Reference Section 11-C.
- Compost must not contain biosolids, manure, any street or highway sweepings, or any catch basin solids.

#### Soil/Compost Mix

- Presumptive approach: Place and rototill 1.75 inches of composted material into 6.25 inches of soil (a total amended depth of about 9.5 inches), for a settled depth of 8 inches. Water or roll to compact soil to 85% maximum. Plant grass.
- Custom approach: Place and rototill the calculated amount of composted material into a depth of soil needed to achieve 8 inches of settled soil at 5% organic content. Water or roll to compact soil to 85% maximum. Plant grass. The amount of compost or other soil amendments used varies by soil type and organic matter content. If there is a good possibility that site conditions may already contain a relatively high organic content, then it may be possible to modify the pre-approved rate described above and still be able to achieve the 5% organic content target.
- The final soil mix (including compost and soil) should have an initial saturated hydraulic conductivity less than 12 inches per hour, and a minimum long-term hydraulic conductivity of 1.0 inch/hour per ASTM Designation D 2434 (Standard Test Method for Permeability of Granular Soils) at 85% compaction per ASTM Designation D 1557 (Standard Test Method for Laboratory Compaction Characteristics of Soil Using Modified Effort. Infiltration rate and hydraulic conductivity are assumed to be approximately the same in a uniform mix soil. Note: Long term saturated hydraulic conductivity is determined by applying the appropriate infiltration correction factors as explained in Section 5.2.1.
- The final soil mixture should have a minimum organic content of 5% by dry weight per ASTM Designation D 2974 (Standard Test Method for Moisture, Ash and Organic Matter of Peat and Other Organic Soils).
- Achieving the above recommendations will depend on the specific soil and compost characteristics. In general, the recommendation can be achieved with 60% to 65% loamy sand mixed with 25% to 30% compost or 30% sandy loam, 30% coarse sand, and 30% compost.

- The final soil mixture should be tested prior to installation for fertility, micronutrient analysis, and organic material content.
- Clay content for the final soil mix should be less than 5%.
- The pH for the soil mix should be between 5.5 and 7.0. If the pH falls outside the acceptable range, it may be modified with lime to increase the pH or iron sulfate plus sulfur to lower the pH. The lime or iron sulfate must be mixed uniformly into the soil.
- The soil mix should be uniform and free of stones, stumps, roots, or other similar material larger than 2 inches.
- When placing topsoil, it is important that the first lift of topsoil is mixed into the top of the existing soil. This allows the roots to penetrate the underlying soil easier and helps prevent the formation of a slip plane between the two soil layers.

### **6.9.3 COMPOST-AMENDED BIOFILTRATION SWALES**

The CABS is a variation of the basic biofiltration swale (bioswale) that adds soil amendments. The soil amendments improve infiltration characteristics, increase surface roughness, and improve plant sustainability. Once permanent vegetation is established, the advantages of the CABS are higher surface roughness; greater retention and infiltration capacity; improved removal of soluble cationic contaminants through sorption; improved overall vegetative health; and a reduction of invasive weeds. Compost-amended systems have somewhat higher construction costs due to more expensive materials, but require less land area for runoff treatment, which can reduce overall costs.

#### **6.9.3.1 METHODS OF ANALYSIS**

Follow the methods of analysis outlined in Section 6.3.1 for Basic Bioswales.

#### **6.9.3.2 DESIGN CRITERIA**

Follow the design criteria outlined in Section 6.3.1 for Basic Bioswales with the addition of a compost blanket with the following requirements:

##### **Compost Component**

- Compost depth shall be 3 inches
- Compost shall be per the specifications in Reference Section 11-C.
- Compost must not contain biosolids, manure, any street or highway sweepings, or any catch basin solids.

# DEFINITIONS

*Note: The following terms are provided for reference and use with this manual. They shall be superseded by any other definitions for these terms adopted by ordinance.*

**Acceptable discharge point** means an enclosed drainage system (i.e., pipe system, culvert, or tightline) or open drainage feature (e.g., ditch, channel, swale, stream, river, pond, lake, or wetland) where concentrated runoff can be discharged without creating a significant adverse impact.

**Adjustment** means a department-approved variation in the application of the requirements of RMC 4-6-030 and this manual.

**Alkalinity** means a measure of the acid neutralizing capacity of water; the ability of a solution to resist changes in pH by neutralizing acidic input.

**Alluvial soil** means a soil found in valley bottoms that is generally fine-grained and often has a high seasonal water table.

**Anadromous fish** means fish that live as adults in saltwater and migrate up freshwater streams and rivers for spawning.

**Applicant** means a property owner or a public agency or public or private utility that owns a right-of-way or other easement or has been adjudicated the right to such an easement under RCW 8.12.090, or any person or entity designated or named in writing by the property or easement owner to be the applicant, in an application for a development proposal, permit, or approval.

**Appurtenances** means machinery, appliances, or auxiliary structures attached to a main structure, but not considered an integral part thereof, for the purpose of enabling it to function.

**Aquatic area** means any non-wetland water feature including all shorelines of the state, rivers, streams, marine waters, inland bodies of open water including lakes and ponds, reservoirs and conveyance systems and impoundments of these features if any portion of the feature is formed from a stream or wetland and if any stream or wetland contributing flows is not created solely as a consequence of stormwater pond construction. Aquatic area does not include water features that are entirely artificially collected or conveyed storm or wastewater systems or entirely artificial channels, ponds, pools or other similar constructed water features.

**Aquifer** means a geologic stratum containing groundwater that can be withdrawn and used for human purposes.

**Aquifer Protection Area (APA)** means the portion of an aquifer within the zone of capture and recharge area for a well or well field owned or operated by the City of Renton delineated in the Aquifer Protection map found in the City of Renton Map Gallery (<<http://rentonwa.gov/government/default.aspx?id=29885>>) or viewed via COR Maps (<<http://rp.rentonwa.gov/SilverlightPublic/Viewer.html?Viewer=COR-Maps>>).

**Area-specific flow control facility requirement** means the requirement of an onsite flow control facility or facilities designed in accordance with the performance criteria, target surfaces, and exceptions specified for the mapped flow control area in which a proposed project is located.

**Area-specific water quality facility requirement** means the requirement of an onsite water quality facility or facilities designed in accordance with the treatment menu, target surfaces, and exceptions specified for the mapped water quality treatment area in which a proposed project is located.

**Arterial** – A high traffic-volume road or street primarily for through traffic. The term generally includes roads or streets considered collectors. It does not include local access roads which are generally limited to providing access to abutting property. Refer to the City of Renton Map Gallery for a map of

arterial streets (<<http://rentonwa.gov/government/default.aspx?id=29885>>) or view via COR Maps (<<http://rp.rentonwa.gov/SilverlightPublic/Viewer.html?Viewer=COR-Maps>>).

**As-built drawings** means engineering plans which have been revised to reflect all changes to the plans which occurred during construction.

**Back-up system** means a retention/detention facility where inflows are routed through the control structure before entering the facility; they are “backed up” into the facility by the flow restrictor.

**Backwater** means water upstream from an obstruction that is deeper than it would normally be without the obstruction.

**Bacteria problem** means a stream reach, lake, or other waterbody of the state that is either (1) currently designated by the state as a Category 5, 4, or 2 Waterbody due to exceedance or concern for exceedance of the state’s numeric water quality standard for fecal coliform bacteria as documented in the state’s latest Water Quality Assessment 303(d)/305(b) Integrated Report and as displayed in WA Ecology’s electronic database and map viewers<sup>1</sup> of these waterbodies, or (2) is currently designated by the City as a bacteria problem based on credible data indicating exceedance or concern for exceedance of the state’s numeric water quality standard for fecal coliform<sup>2</sup>.

**Baffle** means a device, usually a flow-directing or impeding panel, used to deflect, check or regulate flow.

**Base flood** means a flood having a one percent chance of being equaled or exceeded in any given year; also referred to as the 100-year flood. The base flood is determined for existing conditions, unless a basin plan including projected flows under future developed conditions has been completed and adopted by the City, in which case these future flow projections shall be used. In areas where the Flood Insurance Study includes detailed base flood calculations, those calculations may be used until projections of future flows are completed and approved by the City.

**Base flood elevation** means the water surface elevation of the base flood. It shall be referenced to either the North American Vertical Datum of 1988 (NAVD88) or the National Geodetic Vertical Datum of 1929 (NGVD), depending on the datum used in the relative FEMA flood insurance rate map (FIRM)<sup>3</sup>.

**Basin** means a geographic area that contains and drains to a stream or river named and noted on common maps, such as the Cedar River, Sammamish River, Green River, Snoqualmie River, Skykomish River, or White River, or a geographic area that drains to a non-flowing water body named and noted on common maps, such as Lake Washington or Puget Sound.

**Basin plan** means a plan and all implementing regulations and procedures including, but not limited to, capital projects, public education activities, land use management adopted by ordinance for managing surface and storm water within the basin.

**Berm** means a constructed mound of earth or other material used to confine, control, spread, or filter water.

**Best management practice (BMP)** means any schedule of activities, prohibition of practices, maintenance procedure, or structural and/or managerial practice approved by the City that, when used singly or in combination, prevents or reduces the release of pollutants and other adverse impacts to surface water, stormwater and groundwater.

**Bioswale** means a long, gently sloped, vegetated ditch designed to remove pollutants from stormwater. Grass is the most common vegetation, but wetland vegetation can be used if the soil is saturated.

---

<sup>1</sup> The link to the Query Tool is <<https://fortress.wa.gov/ecy/wats/ApprovedSearch.aspx>>. The Map Tool is at <<https://fortress.wa.gov/ecy/wqamapviewer/default.aspx?res=1280x1024>>.

<sup>2</sup> Footnote 2 is not used.

<sup>3</sup> See <<http://www.fema.gov/media-library-data/e0431351fd0536694a66cef26268a694/440+NGVD-NAVD+5-09+508OK.pdf>> for discussion of the datum conversion from NGVD29 to NAVD88.

**Bioretention** – An on-site and water quality treatment best management practice consisting of a shallow landscaped depression designed to temporarily store and promote infiltration of stormwater runoff. Standards for bioretention design, including soil mix, plants, storage volume and feasibility criteria, are specified in Appendix C of this manual. Bioretention can be used to meet Core Requirement #3, 8, and/or 9.

**Blanket adjustment** means an adjustment established by the City that can be applied routinely or globally to all projects where appropriate. Blanket adjustments are usually based on a previously approved adjustment and can be used to effect minor changes or corrections to the design requirements of this manual, or to add new designs and methodologies to this manual.

**Blind, blinding** means to severely reduce the ability of a normally infiltrative media to pass water, usually by plugging with sediment or debris.

**BMP** means best management practice.

**Bollard** means a post used to prevent vehicular access. A bollard may or may not be removable.

**BSBL** means building setback line.

**Buffer** means a designated area contiguous to a steep slope or landslide hazard area intended to protect slope stability, attenuation of surface water flows, and landslide hazards, or a designated area contiguous to and intended to protect and be an integral part of an aquatic area or wetland

**Building setback line** means a line measured parallel to a property, easement, drainage facility, or buffer boundary that delineates the area (defined by the distance of separation) where buildings or other obstructions are prohibited (including decks, patios, outbuildings, or overhangs beyond 18 inches). Wooden or chain link fences and landscaping are allowable within a building setback line. In this manual the minimum building setback line shall be 5 feet.

**Catch basin** means a chamber or well, usually built at the curb line of a street, for the admission of surface water to a sewer or subdrain, having at its base a sediment sump designed to retain grit and detritus below the point of overflow.

**Catch basin insert** means a device installed underneath a catch basin inlet that uses gravity, filtration, or various sorbent materials to remove pollutants from stormwater. When used with sorbent material, catch basin inserts are primarily for oil removal.

**Catch line** means the point where a severe slope intercepts a different, gentler slope.

**Cation exchange** means “The interchange between a cation in solution and another cation on the surface of any surface-active material such as clay or organic matter.” (Buckman & Brady, 1969)

**Cation exchange capacity (CEC)** means the quantity of ammonium cations in a dry mass saturated with ammonium acetate that can be displaced by a strong solution of NaCl, measured in milliequivalents per gram or 100 grams. The test is usually performed at neutral pH (Freeze & Cherry, *Groundwater*, 1979).

**CED** means the Community and Economic Development Department.

**Certified Erosion and Sediment Control Lead (CESCL)** means an individual who has current certification through an approved erosion and sediment control training program that meets the minimum training standards established by the Washington State Department of Ecology (Ecology). A CESCL is knowledgeable in the principles and practices of erosion and sediment control. The CESCL must have the skills to assess site conditions and construction activities that could impact the quality of stormwater and, the effectiveness of erosion and sediment control measures used to control the quality of stormwater discharges. Certification is obtained through an Ecology approved erosion and sediment control course.

**Channel** means a long, narrow excavation or surface feature that conveys surface water and is open to the air.

**Channel, constructed** means a channel or ditch constructed to convey surface water; also includes reconstructed natural channels.

**Channel, natural** means a channel that has occurred naturally due to the flow of surface waters or a channel that, although originally constructed by human activity, has taken on the appearance of a natural channel including a stable route and biological community.

**Civil engineer** means a person licensed by the State of Washington as a professional engineer in civil engineering.

**Clearing** means the conversion of native vegetated surface to a nonnative surface.

**Closed depression** means an area greater than 5,000 square feet at overflow elevation that is low-lying and that has no or such a limited surface water outlet that the area acts as a stormwater retention facility. The primary loss of water volume from a closed depression is through evapotranspiration and discharge into the ground rather than surface flow.

**Commercial or industrial site, for the purposes of defining a high-use site**, means that portion of a site's developed area associated with an individual commercial or industrial business (e.g., the area occupied by the business's buildings and required parking).

**Commercial project (or land use)** means any project or land use that requires a commercial building permit or is on or at a site where a such a permit would be required for construction of a building, excluding *industrial projects/land uses* (see definition of industrial project/land use) and *multifamily projects/land uses* (see definition of multifamily project/land use). Agricultural projects are included only if they require a commercial building permit. Single family residential projects are not included.

**Common plan of development or sale** means a site where multiple separate and distinct construction activities may take place at different times or on different schedules, but still under a single plan. Examples include: 1) phased projects and projects with multiple filings or lots, even if the separate phases or filings/lots will be constructed under separate contract or by separate owners (e.g., a development where lots are sold to separate builders); 2) a development plan that may be phased over multiple years, but is still under a consistent plan for long-term development; and 3) projects in a contiguous area that may be unrelated but still under the same contract, such as construction of a building extension and a new parking lot at the same facility.

**Compaction** means the densification, settlement, or packing of soil in such a way that permeability of the soil is reduced. Compaction effectively shifts the performance of a hydrologic group to a lower permeability hydrologic group. For example, a group B hydrologic soil can be compacted and be effectively converted to a group C hydrologic soil in the way it performs in regard to runoff. Compaction may also refer to the densification of a fill by mechanical means.

**Compensatory storage** means new excavated storage volume equivalent to the flood storage capacity eliminated by filling or grading within the flood fringe. Equivalent shall mean that the storage removed shall be replaced by equal volume between corresponding one foot contour intervals that are hydraulically connected to the floodway through their entire depth.

**Compost** is a product that is used as a soil amendment, mulch, or as filter media either alone or with other media, e.g., sand. Compost is the result of the biological degradation and transformation of biological organic source materials under controlled conditions designed to promote aerobic decomposition. As applied in this manual, compost must be stable with regard to oxygen consumption and carbon dioxide generation. Compost must be mature with regard to its suitability for serving as a *soil amendment*, for *erosion control* BMP applications, for *facility media*, and for *on-site BMPs*<sup>4</sup>. Compost varies in chemical and biological content, and physical gradation (screen size). See Reference Section 11-C for compost specifications depending on application.

---

<sup>4</sup> Adapted from WSDOT, 2014. Standard Specifications for Road, Bridge, and Municipal Construction. M 41-10. Washington State Department of Transportation. Section 9-14.4(8) Compost

- Construct or modify** means to install a new drainage pipe or ditch or make improvements to an existing drainage pipe or ditch, for purposes other than *maintenance*, that either serves to concentrate previously unconcentrated surface water or stormwater runoff or serves to increase, decrease or redirect the conveyance of surface water or stormwater runoff.
- Construction stormwater pollution prevention BMP** means a control or measure that prevents or reduces the discharge of pollutants and sediments resulting from construction activities.
- Construction stormwater pollution prevention plan (CSWPPP)** means the plan and supporting documentation for implementing construction site ESC measures, pollution prevention BMPs, and spill control. The CSWPPP is a component of the engineering plans required for drainage review and has two component plans, the ESC plan and stormwater pollution prevention and spill (SWPPS) plan.
- Conveyance** means a mechanism for transporting water from one point to another, including pipes, ditches, and channels.
- Conveyance system** means the drainage facilities and features, both natural and constructed, that provide for the collection and transport of surface water or stormwater runoff. The natural elements of the conveyance system include swales and small drainage courses, streams, rivers, lakes and wetlands. The constructed elements of the conveyance system include gutters, ditches, pipes, catch basins, channels and most flow control and water quality facilities.
- Conveyance system nuisance problem** means a flooding or erosion problem that does not constitute a “severe flooding problem” or “severe erosion problem” and that results from the overflow of a constructed conveyance system for runoff events less than or equal to a 10-year event. Examples include inundation of a shoulder or lane of a roadway, overflows collecting in yards or pastures, shallow flows across driveways, minor flooding of crawl spaces or unheated garages/outbuildings, and minor erosion. See “severe flooding problem” and “severe erosion problem.”
- Criteria exception** means a department-approved exception to the criteria for granting an adjustment from the requirements of RMC 4-6-030 and this manual based on demonstration that meeting the criteria will deny reasonable use of the applicant’s property and the applicant will implement the best practicable alternative to meeting the criteria. Criteria exceptions require approval by CED, legal public notice, and a written finding of fact.
- Critical area** means wetlands, aquifer protection areas, fish and wildlife habitat, frequently flooded and geologically hazardous areas as defined by the Growth Management Act and RMC 4-3-050.
- Critical area report** means the report that evaluates all probable impacts of a development proposal on critical areas as specified in RMC 4-3-050. The report is required for any development proposal that is subject to a critical area review by CED under RMC 4-3-050.
- Critical area management tract** means a separate tract that is created to protect a critical area and its buffer, and whose ownership was assigned as provided in RMC 4-3-050.
- Critical depth** means the depth that minimizes the specific energy  $E$  of the flow.
- Critical flow** means flow at the critical depth and velocity.
- Culvert** means pipe or concrete box structure that drains an open channel, swale, or ditch under a roadway or embankment, typically with no catch basins or manholes along its length.
- Cut slope** means a slope formed by excavating overlying material to connect the original ground surface with a lower ground surface created by the excavation. A cut slope is opposed to a bermed slope, which is constructed by importing soil to create the slope.
- Dead storage** means the volume available in a depression in the ground below any conveyance system, or surface drainage pathway, or outlet invert elevation that could allow the discharge of surface and storm water runoff.

- Dedication of land** means setting aside and assigning ownership for a portion of a property for a specific use or function.
- Depression storage** means the amount of precipitation that is trapped in depressions on the surface of the ground.
- Design engineer** means the civil engineer who prepares the analysis, design, and engineering plans for an applicant's permit or approval submittal (see "civil engineer").
- Detention** means release of surface and storm water runoff from the site at a slower rate than it is collected by the drainage facility system, the difference being held in temporary storage.
- Detention facility** means a facility that collects water from developed areas and releases it at a slower rate than it enters the collection system. The excess of inflow over outflow is temporarily stored in a pond or a vault and is typically released over a few hours or a few days.
- Determination of Non-Significance (DNS)** means the written decision by the responsible official of the lead agency that a proposal is not likely to have a significant adverse environmental impact per the SEPA process, and therefore an EIS is not required.
- Development** means the division of a parcel of land into two (2) or more parcels; the construction, reconstruction, conversion, structural alteration, relocation or enlargement of any structure; any mining, excavation, landfill or land disturbance and any use or extension of the use of land.
- Development review engineer** –The City of Renton employee responsible for the conditioning, review, inspection, and approval of right-of-way use permits, and road and drainage improvements constructed as part of development permits administered by CED.
- Direct discharge** means undetained discharge from a proposed project to a "major receiving water."
- Directed drainage review** means the drainage review for a proposed single-family residential project or agricultural project that is not subject to simplified or large project drainage review
- Discharge** means runoff, excluding offsite flows, leaving the proposed development through overland flow, built conveyance systems, or infiltration facilities.
- Dissolved oxygen (DO) problem** means a stream reach, lake, or other waterbody of the state that is either (1) currently designated by the state as a Category 5, 4, or 2 Waterbody due to exceedance or concern for exceedance of the state's numeric water quality standard for dissolved oxygen as documented in the state's latest Water Quality Assessment 303(d)/305(b) Integrated Report and as displayed in WA Ecology's electronic database and map viewers<sup>5</sup> of these waterbodies, or (2) is currently designated by the City as a DO problem based on credible data indicating exceedance or concern for exceedance of the state's numeric water quality standard for DO<sup>6</sup>.
- Dispersed discharge** means release of surface and storm water runoff from a drainage facility system such that the flow spreads over a wide area and is located so as not to allow flow to concentrate anywhere upstream of a drainage channel with erodible underlying granular soils or the potential to flood downstream properties.
- Ditch** means a constructed channel with its top width less than 10 feet at design flow.
- Diversion** means a change in the natural discharge location or runoff flows onto or away from an adjacent downstream property. See Core Requirement #1.
- DNS** means Determination of Non-Significance.
- DOE** means the Washington State Department of Ecology.

---

<sup>5</sup> The link to the Query Tool is <<https://fortress.wa.gov/ecy/wats/ApprovedSearch.aspx>>. The Map Tool is at <<https://fortress.wa.gov/ecy/wqamapviewer/default.aspx?res=1280x1024>>.

<sup>6</sup> Footnote 6 is not used.



- Drainage** means the collection, conveyance, containment, or discharge, or any combination thereof, of storm water runoff or surface water.
- Drainage area** means an area draining to a point of interest.
- Drainage basin** means an area draining to a point of interest.
- Drainage channel** means a drainage pathway with well-defined bed and banks indicating frequent conveyance of surface and storm water runoff.
- Drainage course** means a pathway for watershed drainage often characterized by wet soil vegetation and often intermittent in flow.
- Drainage easement** means a legal encumbrance that is placed against a property's title to reserve specified privileges for the users and beneficiaries of the drainage facilities contained within the boundaries of the easement.
- Drainage facility** means a constructed or engineered feature that collects, conveys, stores, treats, or otherwise manages stormwater runoff or surface water. "Drainage facility" includes, but is not limited to, a constructed or engineered stream, lake, wetland, or closed depression, or a pipe, channel, ditch, gutter, flow control facility, on-site BMP, water quality facility, erosion and sediment control facility, and any other structure and appurtenance that provides for drainage.
- Drainage pathway** means the route that surface or storm water runoff follows downslope as it leaves any part of the site.
- Drainage plan** means a plan that depicts the drainage improvements and mitigation measures proposed for a particular project and includes any documentation/technical information necessary for construction and determination of compliance with drainage requirements. The drainage plan can be an "engineering plan" or "limited scope" engineering plan prepared for drainage review purposes as described in Chapter 2 of the *Surface Water Design Manual (SWDM)*, or it can be a "simplified project drainage plan" as described in Appendix C of the *SWDM*.
- Drainage review** means an evaluation by CED staff of a proposed project's compliance with the drainage requirements in this manual. The types of drainage review include: Simplified Drainage Review, Targeted Drainage Review, Directed Drainage Review, Full Drainage Review, and Large Project Drainage Review.
- Dry Season** means May 1 to September 30.
- Easement** means the legal right to use a parcel of land for a particular purpose. It does not include fee ownership, but it may restrict the owner's use of the land.
- Effective impervious fraction** means the fraction of actual total impervious area connected to a drainage system. These figures should be used in the absence of detailed surveys or physical inspection (e.g., via pipe, channel, or short sheet flow path).
- Effective impervious surface** – Those impervious surfaces that are connected via sheet flow or discrete conveyance to a drainage system. Impervious surfaces are considered ineffective if: 1) the runoff is fully dispersed as described in Appendix C of this manual; 2) residential roof runoff is infiltrated in accordance with the full infiltration BMP described in Appendix C of this manual; or 3) approved continuous runoff modeling methods indicate that the entire runoff file is infiltrated.
- EIS** means Environmental Impact Statement.
- Embankment** means a structure of earth, gravel, or similar material raised to form a pond bank or foundation for a road.
- Energy dissipater** means any means by which the total energy of flowing water is reduced. In stormwater design, it is usually a mechanism that reduces velocity prior to, or at, discharge from an outfall in

order to prevent erosion. Energy dissipaters include rock splash pads, drop manholes, concrete stilling basins or baffles, and check dams.

**Energy gradient** means the slope of the specific energy line (i.e., the sum of the potential and velocity heads).

**Engineering geologist** means a person licensed by the State of Washington as a geologist specializing in evaluating geologic site characteristics to determine the responses of geologic processes and materials to development activities, such as removal of vegetation; construction activities such as earthwork; applying loads in foundations and embankments; use of earth materials in construction; and modifying ground water flow.

**Engineering plan** means a plan prepared and stamped by a licensed civil engineer that depicts improvements and mitigation measures proposed for a particular site and includes supporting documentation and technical information. For drainage review purposes, an engineering plan includes a Technical Information Report (TIR), Site Improvement Plans, and a Construction Stormwater Pollution Prevention Plan (CSWPPP), which are described in detail in Chapter 2 of the *Surface Water Design Manual*.

**Engineering review** means an evaluation by CED of a proposed project's compliance with the drainage requirements in this manual and with other City requirements.

**Enhancement** means an increase in ecological functions and value, desirability, or attractiveness of an environmental feature.

**Environmental Impact Statement (EIS)** means a document that discusses the likely significant adverse impacts of a proposal, ways to lessen the impacts, and alternatives to the proposal. It is required by the national and state environmental policy acts when projects are determined to have the potential for significant environmental impact.

**Equivalent area** means the area tributary to the receiving water body equal to or less than the shortest, straight-line distance from the receiving water body (or regional facility) to the farthest point of the proposed project.

**Erodible or leachable materials, wastes, or chemicals** are those materials or substances that, when exposed to rainfall, measurably alter the physical or chemical characteristics of the rainfall runoff (Examples include but are not limited to erodible soil, uncovered process wastes, manure, fertilizers, pesticides, oily substances, ashes, kiln dust, garbage dumpster leakage, commercial-scale vehicle and animal wash waste, galvanized structural, architectural, cabinet, and utility steel, architectural copper, bronze, brass, and lead, treated lumber, etc.).

**Erodible granular soils** means soil materials that are easily eroded and transported by running water, typically fine or medium grained sand with minor gravel, silt, or clay content. Such soils are commonly described as Everett or Indianola series soil types in the SCS classification. Also included are any soils showing examples of existing severe stream channel incision as indicated by unvegetated streambanks standing over two feet high above the base of the channel.

**Erosion** means detachment and transport of soil or rock fragments by water, wind, ice, etc.

**Erosion and sediment control (ESC)** means any temporary or permanent measures taken to reduce erosion, control siltation and sedimentation, and ensure that sediment-laden water does not leave the site or enter into wetlands or aquatic areas.

**Erosion Hazard Area** is the critical area designation, defined and regulated in RMC 4-3-050, that is applied to areas underlain by soils that are subject to severe erosion when disturbed. Refer to the City of Renton Map Gallery for a map of erosion hazard areas (<<http://rentonwa.gov/government/default.aspx?id=29885>>) or view via COR Maps (<<http://rp.rentonwa.gov/SilverlightPublic/Viewer.html?Viewer=COR-Maps>>).

- ESC plan** means the plan and supporting documentation for implementing erosion and sediment control measures on the project site. This plan is a component of the construction stormwater pollution prevention plan (CSWPPP), which is submitted with the engineering plans required for drainage review.
- ESC Standards** means the requirements and specifications for design, maintenance, and implementation of erosion and sediment control measures specified in Appendix D of this manual.
- Eutrophic** means a condition of a water body in which excess nutrients, particularly phosphorous, stimulates the growth of aquatic plant life usually resulting in the depletion of dissolved oxygen. Thus, less dissolved oxygen is available to other aquatic life.
- Eutrophication** means the process where excess nutrients in water lead to excessive growth of aquatic plants.
- Evapotranspiration** is the collective term for the processes of evaporation and plant transpiration by which water is returned to the atmosphere as a vapor.
- Exceedance probability** means the probability that the flow will be equaled or exceeded in any given year.
- Existing conditions** means the conditions of drainage, vegetation, and impervious cover at the time of analysis.
- Existing offsite conditions** means the conditions of drainage, vegetation, and impervious cover offsite, including any problems recorded or observed in the study area (except on the proposed project site), at the time of analysis (see “existing site conditions”).
- Existing site conditions** means the conditions of drainage, vegetation, and impervious cover onsite that existed prior to May 1979 as determined from aerial photographs and, if necessary, knowledge of individuals familiar with the area, unless a drainage plan for land cover changes has been approved by the City of Renton since May 1979 as part of a City permit or approval (or County-approved permit if in an area that has been annexed by the City). If so, existing site conditions are those created by the site improvements and drainage facilities constructed per the approved drainage plan.
- Exposed** means subject to direct or blown-in precipitation and/or direct or blown in runoff. Not *fully covered*.
- Exposed area** or **exposed material** means not covered sufficiently to shield from rainfall and stormwater runoff. At a minimum, full coverage to not be considered *exposed* requires a roof with enough overhang in conjunction with walls of sufficient height to prevent rainfall blow-in; and the walls must extend into the ground or to a berm or footing to prevent runoff from being blown in or from running onto the covered area..
- FEMA** means Federal Emergency Management Agency
- FEMA floodway** means a distinct floodway definition that describes the limit to which encroachment into the natural conveyance channel can cause one foot or less rise in water surface elevation.
- Fertilizer** means any material or mixture used to supply one or more of the essential plant nutrient elements.
- Filter strip** means a grassy area with gentle slopes which treats stormwater runoff from adjacent areas before it concentrates into a discrete channel.
- Financial guarantee** means a form of financial security posted to do one or more of the following: ensure timely and proper completion of improvements; ensure compliance with the RMC; or provide secured warranty of materials, workmanship of improvements and design. “Financial guarantees” include assignments of funds, cash deposit, surety bonds, or other forms of financial security acceptable to CED. “Performance guarantee,” “maintenance guarantee,” and “defect guarantee” are considered subcategories of financial guarantee.

**FIRM** means Flood Insurance Rate Map.

**Flood** An overflow or inundation that comes from a river or any other source, including (but not limited to) streams, tides, wave action, storm drains, or excess rainfall. Any relatively high stream flow overtopping the natural or artificial banks in any reach of a stream.

**Flood fringe** means that portion of the floodplain outside of the floodway which is covered by floodwaters during the base flood; it is generally associated with standing water rather than rapidly flowing water.

**Flood Hazard Area** is the critical area designation, defined and regulated in RMC 4-3-050, that is applied to areas that are subject to flooding. Refer to the City of Renton Map Gallery for a map of flood hazard areas (<<http://rentonwa.gov/government/default.aspx?id=29885>>) or view via COR Maps (<<http://rp.rentonwa.gov/SilverlightPublic/Viewer.html?Viewer=COR-Maps>>).

**Hazard mitigation plan** means a plan and all implementing programs, regulations, and procedures including, but not limited to, capital projects, public education activities and enforcement programs for reduction of flood hazards and prepared in accordance with RCW 86.12.200.

**Flood Insurance Rate Map (FIRM)** means the official map on which the Federal Insurance Administration has delineated flood hazard areas, floodways, and risk premium zones.

**Flood Insurance Study** means the official report provided by the Federal Insurance Administration that includes flood profiles and the FIRM.

**Floodplain** means the total area subject to inundation by the base flood including the flood fringe and floodway.

**Flood-proofing** means adaptations to ensure that a structure is substantially impermeable to the passage of water below the flood protection elevation, and that it resists hydrostatic and hydrodynamic loads and effects of buoyancy.

**Flood protection elevation** means an elevation that is one foot above the base flood elevation.

**Flood protection facility** means any levee, berm, wall, enclosure, raised bank, revetment, constructed bank stabilization, or armoring that is commonly recognized by the community as providing significant protection to a property from inundation by floodwaters.

**Flood routing** means an analytical technique used to compute the effects of system storage and system dynamics on the shape and movement of flow; represented by a hydrograph.

**Floodway** means the channel of the river or stream and those portions of the adjoining floodplain which are reasonably required to carry and discharge the base flood flow (see “zero-rise floodway”).

**Flow control area** means a geographic area of the City within which proposed projects must comply with the flow control facility requirements adopted for that area as part of this manual. The flow control areas in the City include: (1) Flow Control Duration Standard – Matching Forested, (2) Flow Control Duration Standard – Matching Existing, (3) Peak Rate Flow Control Standard – Matching Existing, and (4) Flood Problem Flow Control Standard. These areas are mapped on the City of Renton Flow Control Applications Map adopted in Reference Section 15-A of this manual.

**Flow control facility** means a drainage facility designed in accordance with the drainage requirements in this manual to mitigate the impacts of increased stormwater runoff generated by site development. A “flow control facility” is designed either to hold water for a considerable length of time and then release it by evaporation, plant transpiration, or infiltration into the ground or to hold runoff for a short period of time and then release it to the conveyance system.

**Flow duration** means the aggregate time that peak flows are at or above a particular flow rate (e.g., the amount of time over the last 50 years that peak flows were at or above the 2-year flow rate).

**Flow frequency** means the inverse of the probability that the flow will be equaled or exceeded in any given year (the *exceedance probability*). For example, if the exceedance probability is 0.01, or 1 in 100, that flow is referred to as the 100-year flow.

- Flowpath** means the route that surface and storm water runoff follows between two points of interest.
- Flow-through system** means a retention/detention facility where inflows are routed through the storage facility before discharge through the flow restrictor.
- Freeboard** means the vertical distance between the design water surface elevation and the elevation of the structure or facility which contains the water.
- Full build-out conditions** means the tributary area is developed to its full zoning potential except where there are existing sensitive areas, open space tracts, and/or native growth protection easements/covenants.
- Full Drainage Review** means the evaluation required by RMC 4-6-030 of a proposed project's compliance with the full range of core and special requirements in Chapter 1 of this manual. Full Drainage Review is required for any proposed project, unless the project is subject to simplified drainage review, targeted drainage review, directed drainage review, or large project drainage review, that (1) would result in two thousand square feet or more of new plus replaced impervious surface; or (2) would result in 7,000 square feet or more of land disturbing activity.
- Fully covered** means covered sufficiently to shield from rainfall and stormwater runoff. At a minimum, full coverage requires a roof with enough overhang in conjunction with walls of sufficient height to prevent rainfall blow-in; and the walls must extend into the ground or to a berm or footing to prevent runoff from being blown in or from running onto the covered area. Not *exposed*.
- Fully dispersed** means the runoff from an impervious surface or nonnative pervious surface has dispersed per the criteria for fully dispersed surface in Section 1.2.3.2 of this manual.
- Geologist** means a person who has earned a degree in geology from an accredited college or university or who has equivalent educational training, and who has at least five years of experience as a practicing geologist or four years of experience and at least two years post-graduate study, research, or teaching. The practical experience shall include at least three years' work in applied geology and landslide evaluation, in close association with qualified practicing geologists or geotechnical professional/civil engineers.
- Geomorphically significant flow** means a flow capable of moving sediment.
- Geotechnical engineer** means a civil engineer, licensed by the State of Washington, who has at least four years of professional employment as a geotechnical engineer in responsible charge, including experience with landslide evaluation. Geotechnical engineers specialize in the design and construction aspects of earth materials.
- Groundwater** means all water found in the soil and stratum beneath the land surface or beneath the bed of any surface water. Wells tap the groundwater for water supply uses.
- Groundwater protection areas** include the Cedar Valley Sole Source Aquifer Project Review Area designated by the federal Environmental Protection Agency, Wellfield Capture Zones as mapped by the Washington State Department of Health, and the *Aquifer Protection Area* Zones as mapped by the City. The combined area described by these criteria is represented in Reference Section 15-B, Groundwater Protection Areas in the City of Renton..
- Gully** means a channel caused by the concentrated flow of surface and stormwater runoff over unprotected erodible land.
- Habitable building** means any residential, commercial, or industrial building that is equipped with a permanent heating or cooling system and an electrical system.
- Habitat** means the specific area or environment in which a particular type of plant or animal lives and grows.
- Hardpan** means a cemented or compacted and often clay-like layer of soil that is impenetrable by roots.

**Harmful pollutant** means a substance that has adverse effects to an organism including death, chronic poisoning, impaired reproduction, cancer, or other effects.

**High infiltration rates** means those in excess of 9 inches per hour as measured by the EPA method or the double ring infiltrometer method (ASTM D 3385). These will typically be coarse sand or gravel soil with low silt content.

**High pH problem** means a stream reach, lake, or other waterbody of the state that is either (1) currently designated by the state as a Category 5, 4, or 2 Waterbody due to exceedance or concern for exceedance of the state's numeric water quality standard for high pH as documented in the state's latest Water Quality Assessment 303(d)/305(b) Integrated Report and as displayed in WA Ecology's electronic database and map viewers of these waterbodies, or (2) is currently designated by the City as a pH problem based on credible data indicating exceedance or concern for exceedance of the state's numeric water quality standard for pH.

**High-use site** means a commercial or industrial site that (1) has an expected average daily traffic (ADT) count equal to or greater than 100 vehicles per 1,000 square feet of gross building area; (2) is subject to petroleum storage or transfer in excess of 1,500 gallons per year, not including delivered heating oil; or (3) is subject to use, storage, or maintenance of a fleet of 25 or more vehicles that are over 10 tons net weight (trucks, buses, trains, heavy equipment, etc.). Also included is any road intersection with a measured ADT count of 25,000 vehicles or more on the main roadway and 15,000 vehicles or more on any intersecting roadway, excluding projects proposing primarily pedestrian or bicycle use improvements. For the purposes of this definition, commercial and industrial site means that portion of a site's developed area associated with an individual commercial or industrial business (e.g., the area occupied by the business's buildings and required parking).

**Historical site conditions** mean those which existed on the site prior to any development in the Puget Sound region. For lands not currently submerged (i.e., outside the ordinary high water mark of a lake, wetland, or stream), "historical site conditions" shall be assumed to be forest cover unless reasonable, historical, site-specific information is provided to demonstrate a different vegetation cover. The historical site conditions exception in the King County Surface Water Design Manual does not apply to the City.

**Horton overland flow** means a runoff process whereby the rainfall rate exceeds the infiltration rate, and the excess precipitation flows downhill over the soil surface.

**Hydraulically connected** means connected through surface flow or water features such as wetlands or lakes.

**Hydraulic gradient** means slope of the potential head relative to a fixed datum.

**Hydrogeologist** means a person licensed by the State of Washington as a geologist specializing in the study and analysis of ground water and other fluids as they move within the geologic environment. This includes ground water well design, construction supervision, and testing; remediation of soil and ground water at contaminated sites; and impact analysis of proposed manmade structures on the environment as they may relate to water.

**Hydrograph** means a graph of runoff rate, inflow rate, or discharge rate past a specific point over time.

**Hydrologic cycle** means the circuit of water movement from the atmosphere to the earth and return to the atmosphere through various stages or processes such as precipitation, interception, runoff, infiltration, percolation, storage, evaporation, and transpiration.

**Hydrologic soil groups** means a soil characteristic classification system defined by the U.S. Soil Conservation Service in which a soil may be categorized into one of four soil groups (A, B, C, or D) based upon infiltration rate and other properties.

**Impact** means an adverse effect or harm, or the act of adversely affecting or harming.

**Impaired waterbody or impaired receiving water** means where the receiving waterbody is either (1) listed as impaired for metals or organic pollutants according to Ecology's Water Quality Assessment categories 2, 4, or 5 – water or sediment, and/or (2) where subject to any other local, state, or federal cleanup plan.

**Impervious surface** means a non-vegetated surface area that either prevents or retards the entry of water into the soil mantle as under natural conditions before development; or that causes water to run off the surface in greater quantities or at an increased rate of flow compared to the flow present under natural conditions prior to development (see also "*new impervious surface*"). Common impervious surfaces include, but are not limited to, roof, walkways, patios, driveways, parking lots, or storage areas, areas that are paved, graveled or made of packed or oiled earthen materials or other surfaces that similarly impede the natural infiltration of surface water or stormwater. For the purposes of applying the impervious surface thresholds and exemptions contained in this manual, permeable pavement, vegetated roofs, and pervious surfaces with underdrains designed to collect stormwater runoff are considered impervious surface while an open uncovered flow control or water quality facility is not. However, for the purposes of computing runoff, uncovered flow control or water quality facilities shall be modeled as impervious surfaces as specified in Chapter 3.

**Impoundment** means a natural or man-made containment for surface water.

**Improvement** means a permanent, man-made, physical change to land or real property including, but not limited to, buildings, streets, driveways, sidewalks, crosswalks, parking lots, water mains, sanitary and storm sewers, drainage facilities, and landscaping.

**Industrial project (or land use)** means any project or land use that requires or would require a commercial building permit or commercial site development permit and is on an industrial-zoned site or is otherwise conducting *industrial activities*. *Industrial activities* means material handling, transportation, or storage; manufacturing; maintenance; treatment; or disposal. Areas with industrial activities include plant yards, access roads and rail lines used by carriers of raw materials, manufactured products, waste material, or by-products; material handling sites; refuse sites; sites used for the application or disposal of process waste waters; sites used for the storage and maintenance of material handling equipment; sites used for residual treatment, storage, or disposal; shipping and receiving areas; manufacturing buildings; storage areas for raw materials, and intermediate and finished products; and areas where industrial activity has taken place in the past and significant materials remain and are exposed to stormwater.

**Infiltration facility** means a drainage facility designed to use the hydrologic process of water soaking into the ground (commonly referred to as percolation) to dispose of surface and storm water runoff.

**Ingress/egress** means the points of access to and from a property.

**Inlet** means a form of connection between the surface of the ground and a channel or pipe for the admission of surface and stormwater runoff.

**Inlet control** means a flow condition where the flow is governed by the culvert's inlet geometry.

**Interflow** means near-surface groundwater that moves laterally through the soil horizon following the hydraulic gradient of underlying relatively impermeable soils. When interflow is expressed on the surface, it is called a spring or seepage.

**KCAS** means King County Aerial Survey.

**Lake** means an area permanently inundated by water in excess of two meters (7 feet) deep and greater than twenty acres in size as measured at the ordinary high water mark.

**Lake management plan** means a plan describing the lake management recommendations and requirements adopted by public rule for managing water quality within individual lake basins.

**Land disturbing activity** means any activity that results in a change in the existing soil cover (both vegetative and non-vegetative and/or the existing soil topography). Land disturbing activities include, but are not limited to demolition, construction, clearing, grading, filling, excavation, and compaction. Land disturbing activity does not include tilling conducted as part of agricultural practices, landscape maintenance, or gardening.

**Landslide** means episodic downslope movement of a mass of soil or rock; includes but is not limited to rockfalls, slumps, mudflows, and earthflows.

**Landslide Hazard** is the critical area designation, defined and regulated in RMC 4-3-050, that is applied to areas subject to risk of landslide due to topography, soil conditions, and geology. Refer to the City of Renton Map Gallery for a map of landslide hazards (<http://rentonwa.gov/government/default.aspx?id=29885>) or view via COR Maps (<http://rp.rentonwa.gov/SilverlightPublic/Viewer.html?Viewer=COR-Maps>).

**Landslide Hazard Drainage Area** means an area that has overland flows from a project may pose a significant threat to health and safety because of its close proximity to a *landslide hazard*.

**Land surveyor** means a person licensed by the State of Washington as a professional land surveyor.

**Large Project Drainage Review** means the evaluation required by RMC 4-6-030 for development proposals that are large and/or involve resources or problems of special sensitivity or complexity. Large Project Drainage Review is required of any project that would, at full buildout of the project site, result in 50 acres or more of *new impervious surface* within a drainage subbasin or a number of subbasins that are hydraulically connected across subbasin boundaries. Hydraulically connected means connected through surface flow or water features such as wetlands or lakes.. Large Project Drainage Review entails preparation of a master drainage plan (MDP) or limited scope MDP which is reviewed and approved by CED.

**Leaf compost filter** means a treatment device that uses a specially prepared and potentially patented leaf compost product to remove pollutants from stormwater.

**Level pool routing** means the basic technique of storage routing used in the City for sizing and analyzing detention storage and determining water levels for ponding water bodies. The level pool routing technique is based on the continuity equation:  $\text{Inflow} - \text{Outflow} = \text{Change in storage}$ .

**Local drainage system** means any natural or constructed drainage feature that collects and concentrates runoff from the site and discharges it downstream.

**Low Impact Development (LID)** – A stormwater and land use management strategy that strives to mimic pre-disturbance hydrologic processes of infiltration, filtration, storage, evaporation and transpiration by emphasizing conservation, use of on-site natural features, site planning, and distributed stormwater management practices that are integrated into a project design.

**LID Best Management Practices** – Distributed stormwater management practices, integrated into a project design, that emphasize pre-disturbance hydrologic processes of infiltration, filtration, storage, evaporation and transpiration. LID BMPs are referred to as on-site BMPs in this manual and include, but are not limited to, bioretention, permeable pavements, roof downspout controls, dispersion, soil quality and depth, and minimum disturbance foundations.

**LID Principles** – Land use management strategies that emphasize conservation, use of on-site natural features, and site planning to minimize impervious surfaces, native vegetation loss, and stormwater runoff.

**Lowest floor** means the lowest enclosed area (including basement) of a structure. An area other than a basement area that is used solely for parking of vehicles, building access, or storage is not considered a building's lowest floor, provided that the enclosed area meets all of the structural requirements of the flood hazard standards.



**Maintenance** means those usual activities taken to prevent a decline, lapse, or cessation in the use of currently serviceable structures, facilities, BMPs, equipment, or systems if there is no expansion of any of these, and there are no significant hydrologic impacts. Maintenance includes the repair or replacement of non-functional facilities and BMPs, and the replacement of existing structures (e.g., catch basins, manholes, culverts) with different types of structures, if the repair or replacement is required to meet current engineering standards or is required by one or more environmental permits and the functioning characteristics of the original facility or structure are not changed. For the purposes of applying this definition to the thresholds and requirements of this manual, CED will determine whether the functioning characteristics of the original facility, structure, or BMP will remain sufficiently unchanged to consider replacement as maintenance.

*Note: The following pavement maintenance practices are exempt from drainage review:*

- *Pothole and square cut patching*
- *Overlaying existing non-permeable asphalt or non-permeable concrete pavement with asphalt or concrete without expanding the area of coverage*
- *Shoulder grading*
- *Reshaping/regrading drainage systems*
- *Crack sealing*
- *Resurfacing with in-kind material without expanding the road prism, pavement preservation activities that do not expand the paved prism*
- *Vegetation maintenance*

*The following pavement maintenance practices are not categorically exempt from drainage review:*

- *Removing and replacing a paved surface to base course or lower, or repairing the pavement base (i.e., “replaced impervious surfaces”)*
- *Extending the edge of pavement without increasing the size of the paved area*
- *Resurfacing that meets the definition of “new impervious surface” in this manual*

**Major receiving water** means a large receiving water that has been determined by the City of Renton to be safe for the direct discharge of increased runoff from a proposed project without a flow control facility, subject to the restrictions on such discharges set forth in Core Requirement #3, Section 1.2.3. A list of major receiving waters is provided in Section 1.2.3.1. Major receiving waters are also considered safe for application of Basic WQ treatment in place of otherwise required Enhanced Basic WQ treatment (see Section 1.2.8.1), except where the **receiving water** is either (1) listed as impaired for metals or organic pollutants according to Ecology’s Water Quality Assessment categories 2, 4, or 5 – water or sediment, and/or (2) where subject to any other local, state, or federal cleanup plan. In any of these cases, the major receiving water exception for Enhanced Basic treatment is superseded by 1.2.2.3 Water Quality Problem Impact Mitigation for Metals (Type 4).

**Mass wasting** means the movement of large volumes of earth material downslope.

**Master Drainage Plan (MDP)** means a comprehensive drainage control plan required for projects subject to large project drainage review and intended to prevent significant adverse impacts to surface water and groundwater, both onsite and offsite.

**Maximum extent practicable** means the use of best management practices that are available and capable of being designed, constructed and implemented in a reliable and effective manner including, but not limited to, consideration of site conditions and cost.

**MDNS** means a Mitigated Determination of Non-Significance per SEPA (see “DNS” and “mitigation”).

**Mean annual storm** means a statistically derived rainfall event derived by dividing the annual rainfall in an area by the number of storm events per year.

**Metals** as used in this manual generally refers to heavy metals<sup>7</sup> such as copper, mercury, lead, nickel, zinc, cadmium, and arsenic; and alloys such as bronze, brass, and Galvalume®. Metals are of environmental concern because although some heavy metal elements are necessary micronutrients, they may also be toxic at very low levels to some organisms; are sometimes magnified in the food chain where they can be toxic to organisms at higher concentrations; and are not biodegradable.

**Metals problem** means a stream reach, lake, or other waterbody of the state that is either (1) currently designated by the state as a Category 5, 4, or 2 Waterbody due to exceedance or concern for exceedance of the state's numeric water or sediment quality standards for metals (e.g., copper, zinc, lead, mercury, etc.) as documented in the state's latest Water Quality Assessment 303(d)/305(b) Integrated Report and as displayed in WA Ecology's electronic database and map viewers<sup>8</sup> of these waterbodies, or (2) is currently designated by the City as a metals problem based on credible data indicating exceedance or concern for exceedance of the state's numeric water or sediment quality standards for metals (e.g., copper, zinc, lead, mercury, etc.)<sup>9</sup>.

**Mitigation** means an action taken to compensate for adverse impacts to the environment resulting from a development activity or alteration.

**Modified site improvement plan** means a limited or simplified "site improvement plan" used for some projects in Targeted Drainage Review and/or where major improvements are not proposed.

**Monitor** means to systematically and repeatedly measure something in order to track changes.

**Monitoring** means the collection and analysis of data by various methods for the purposes of understanding natural systems and features, evaluating the impacts of development proposals on the biological, hydrologic, and geologic elements of such systems, and assessing the performance of mitigation measures imposed as conditions of development.

**Mulch** is a layer of material applied to cover an area of soil. As used in this manual, the purpose of mulch is to provide temporary protection from erosion, to enhance plant establishment by conserving moisture, to hold fertilizer, seed, and topsoil in place, to moderate soil temperatures, and to inhibit weeds from sprouting between established vegetation. See Reference 11-C for on allowable mulch types and further specifications.

**Multifamily project (or land use)** means any project or land use that requires or would require a commercial building permit or commercial site development permit for development of residential dwelling units that are not detached single family dwelling units.

**National Pollutant Discharge Elimination System (NPDES)** means the part of the federal Clean Water Act which requires point source discharges to obtain permits. These permits, referred to as NPDES permits, are administered by the Washington State Department of Ecology.

**Native Growth Protection Easements (NGPE)** means an easement granted to the City for the protection of native vegetation within a sensitive area or its associated buffer. This term was used by the County prior to December 1990 when it was replaced with "sensitive area." All references to critical areas in this manual also apply to sensitive areas and native growth protection easements.

**Native growth retention area** means the area of native vegetated surface set aside by a covenant, easement, or tract for purposes of implementing an on-site BMP.

**Native vegetated surface** means a surface in which the soil conditions, ground cover, and species of vegetation are like those of the original native condition for the site. More specifically, this means

---

<sup>7</sup> "a loosely defined subset of elements that exhibit metallic properties" (Wikipedia contributors, "Heavy metal (chemistry)," Wikipedia, The Free Encyclopedia, <[http://en.wikipedia.org/w/index.php?title=Heavy\\_metal\\_\(chemistry\)&oldid=583203892](http://en.wikipedia.org/w/index.php?title=Heavy_metal_(chemistry)&oldid=583203892)> (accessed November 27, 2013))

<sup>8</sup> The link to the Query Tool is <<https://fortress.wa.gov/ecy/wats/ApprovedSearch.aspx>>. The Map Tool is at <<https://fortress.wa.gov/ecy/wqamapviewer/default.aspx?res=1280x1024>>.

<sup>9</sup> Footnote 9 is not used.

(1) the soil is either undisturbed or has been treated according to the “native vegetated landscape” specifications in Appendix C, Section C.2.1.8; (2) the ground is either naturally covered with vegetation litter or has been top-dressed between plants with 4 inches of mulch consistent with the native vegetated landscape specifications in Appendix C; and (3) the vegetation is either (a) comprises predominantly plant species, other than noxious weeds, that are indigenous to the coastal region of the Pacific Northwest and that reasonably could have been expected to occur naturally on the site or (b) comprises plant species specified for a native vegetated landscape in Appendix C. Examples of these plant species include trees such as Douglas fir, western hemlock, western red cedar, alder, big-leaf maple and vine maple; shrubs such as willow, elderberry, salmonberry and salal; and herbaceous plants such as sword fern, foam flower, and fireweed.

**Natural channel** (see “channel, natural”).

**Natural discharge area** means an onsite area tributary to a single *natural discharge location*.

**Natural discharge location** means the location where surface and storm water runoff leaves (or would leave if not infiltrated or retained) the *site* or *project site* under *existing site conditions*.

**Natural hazard** means a condition in land or water, or both, that arises in whole or in part out of natural processes and that creates a threat of immediate and substantial harm. A natural hazard may include, but is not limited to, a beaver dam, a debris dam in a stream, severe erosion at the base of a steep slope, or a stream displaced from its original channel.

**Natural onsite drainage feature** means a natural swale, channel, stream, closed depression, wetland, or lake.

**NAVD** means North American Vertical Datum (see “base flood elevation”).

**New conveyance system elements** means those that are proposed to be constructed where there are no existing constructed conveyance elements.

**New impervious surface** means the addition of a man-made, modified, or compacted surface like roofs, pavement, gravel, or dirt; or the addition of a more compacted surface, such as resurfacing by upgrading from dirt to gravel, asphalt, or concrete; or upgrading from a bituminous surface treatment (“chip seal”) to asphalt or concrete. Permeable pavement and vegetated roofs are considered new impervious surface for purposes of determining whether the thresholds for application of minimum requirements are exceeded, as are lawns, landscaping, sports fields, golf courses, and other areas that have modified runoff characteristics resulting from the addition of underdrains designed to collect stormwater runoff. Open, uncovered retention/detention facilities shall not be considered impervious surfaces for purposes of determining whether the thresholds for application of minimum requirements are exceeded. Open, uncovered retention/detention facilities shall be considered impervious surfaces for purposes of runoff modeling.

**New pervious surface** means the conversion of a *native vegetated surface* or other native surface to a nonnative pervious surface (e.g., conversion of forest or meadow to pasture land, grass land, cultivated land, lawn, landscaping, bare soil, etc.), or any alteration of existing nonnative pervious surface that significantly increases stormwater runoff (e.g., conversion of pasture land, grass land, or cultivated land to lawn, landscaping, or bare soil; or alteration of soil characteristics).

**New PGIS** means *new impervious surface* that is *pollution-generating impervious surface* or any alteration of existing pollution-generating impervious surface that changes the type of pollutants or results in increased pollution loads and/or concentrations.

**New PGPS** means *new pervious surface* that is *pollution-generating pervious surface* or any alteration of existing pollution-generating pervious surface that changes the type of pollutants or results in increased pollution loads and/or concentrations.

**NGPE** means Native Growth Protection Easement.

**NGVD** means National Geodetic Vertical Datum (see “base flood elevation”).

**Nonnative pervious surface** means a pervious surface that does not meet the definition of a “native vegetated surface.”

**Normal depth** means the depth of uniform flow. This is a unique depth of flow for any combination of channel characteristics and flow conditions. Normal depth is found from Manning’s equation.

**NPDES** means National Pollutant Discharge Elimination System.

**NTU** means Nephelometric Turbidity Units, a measurement unit for *turbidity* in water.

**Nutrient** means one of the essential chemicals needed by plants or animals for growth. Excessive amounts of nutrients can lead to degradation of water quality and excessive algae growth. Some nutrients can be toxic at high concentrations.

**Offsite** means any area lying upstream of the site that drains onto the site and any area lying downstream of the site to which the site drains including frontage improvements.

**Offsite flows** means runoff conveyed to a proposed project from adjacent properties.

**Off-line systems** – restrict flows to treatment facilities and bypass the incremental portion of remaining higher flows around them.

**Oil/water separator** means a vault, usually underground designed to provide a quiescent environment to separate oil from water. Solid floatables (e.g., Styrofoam) are also removed.

**One-year capture zone** means the surface area overlying the portion of the aquifer which contributes water to the well within a one year period.

**On-line systems** – Most treatment facilities can be designed as “On-line” systems with flows above the water quality design flow or volume simply passing through the facility with lesser or no pollutant removal efficiency. However, it is sometimes desirable to restrict flows to treatment facilities and bypass the incremental portion of remaining higher flows around them. These are called “Off-line.” An example of an on-line system is a wetpool that maintains a permanent pool of water for runoff treatment purposes.

**Onsite** means the entire site that includes the proposed development.

**On-site BMP** means a small scale drainage facility or feature that is part of a development site strategy to use processes such as infiltration, dispersion, storage, evaporation, transpiration, forest retention, and reduced impervious surface footprint to mimic pre-developed hydrology and minimize stormwater runoff.

**On-site BMP design and maintenance details** means the diagrams/figures, design specifications, and maintenance instructions for each on-site BMP proposed on an individual site/lot that does not contain a flow control or water quality facility. These details are intended to be recordable to facilitate attachment to the declaration of covenant and grant of easement required for implementation of on-site BMPs on individual sites/lots. CED may waive all or a portion of this component if they determine there is no need to specify design details or maintenance instructions for certain proposed BMPs.

**Ordinary high water mark** means the mark that will be found by examining the bed and banks of a stream, lake, pond, or tidal water and ascertaining where the presence and action of waters are so common and usual, and so long maintained in all ordinary years as to mark upon the soil a vegetative character distinct from that of the abutting upland. In an area where the ordinary high water mark cannot be found, the line of mean high water in areas adjoining freshwater or mean higher high tide in areas adjoining saltwater is the “ordinary high water mark.” In an area where neither can be found, the top of the channel bank is the “ordinary high water mark.” In braided channels and alluvial fans, the ordinary high water mark or line of mean high water include the entire water or stream feature.

- Orifice** means an opening with closed perimeter (usually sharp-edged) and of regular form in a plate, wall, or partition through which water may flow, generally used for the purpose of measurement or control of such water.
- Outfall** means a point where collected and concentrated surface and storm water runoff is discharged from a pipe system or culvert.
- Outlet control** means a flow condition where the flow is governed by a combination of inlet geometry, barrel characteristics, and tailwater elevation.
- Outwash soil** means a soil formed from highly permeable sands and gravels.
- Overtopping** means to flow over the limits of a containment or conveyance element.
- Parcel redevelopment project** means a redevelopment project on a site comprised of one or more parcels of land on which an assessed value of existing site improvements has been determined by the King County Assessor's Office.
- Permeable pavement** means pervious concrete, porous asphalt, permeable pavers or other forms of pervious or porous paving material intended to allow passage of water through the pavement section. It often includes an aggregate base that provides structural support and acts as a stormwater reservoir.
- Permeable soils** means soil materials with a sufficiently rapid infiltration rate so as to greatly reduce or eliminate surface and storm water runoff.
- Pervious surface** means any surface material that allows stormwater to infiltrate into the ground. Examples include lawn, landscape, pasture, and native vegetation areas. Note for purposes of threshold determination and runoff volume modeling for detention and treatment, vegetated roofs and permeable pavements are to be considered impervious surfaces along with lawns, landscaping, sports fields, golf courses, and other areas that have modified runoff characteristics resulting from the addition of underdrains.
- Perviousness** means related to the size and continuity of void spaces in soils; related to a soil's infiltration rate.
- Pesticide** means any substance (usually chemical) used to destroy or control organisms; includes herbicides, insecticides, algacides, fungicides, and others. Many of these substances are manufactured and are not naturally found in the environment. Others, such as pyrethrum, are natural toxins which are extracted from plants and animals.
- pH** means a measure of the acidity or basicity of a substance found by measuring the concentration of hydrogen ions in the substance. pH is the negative  $\log_{10}$  of the hydrogen ion concentration, or  $-\log_{10}([H^+])$ . The pH scale ranges from 1 to 14 with 1 being highly acidic, 14 highly basic, and 7 neutral. Most natural waters in King County are slightly acidic having a pH of around 6.5. The pH range of precipitation in Western Washington is between 5.1 and 5.3<sup>10</sup>.
- Phosphorus problem** means a stream reach, lake, or other waterbody of the state that is either (1) currently designated by the state as a Category 5, 4, or 2 Waterbody due to exceedance or concern for exceedance of the state's numeric action standard for total phosphorus as documented in the state's latest Water Quality Assessment 303(d)/305(b) Integrated Report and as displayed in WA Ecology's electronic database and map viewers<sup>11</sup> of these waterbodies, or (2) is currently designated by the County as a nutrient problem based on credible data indicating exceedance or concern for exceedance of the state's numeric action standard for total phosphorus<sup>12</sup>.

<sup>10</sup> USGS, 1997. What is acid rain? <<http://pubs.usgs.gov/gip/acidrain/2.html>>, maintained by John Watson, [jmwatson@usgs.gov](mailto:jmwatson@usgs.gov); accessed 2013/11/27.

<sup>11</sup> The link to the Query Tool is <<https://fortress.wa.gov/ecy/wats/ApprovedSearch.aspx>>. The Map Tool is at <<https://fortress.wa.gov/ecy/wqamapviewer/default.aspx?res=1280x1024>>.

<sup>12</sup> Footnote 12 is not used.

- Physiographic** means characteristics of the natural physical environment (including hills).
- Pipe system** means a network of storm drain pipes, catch basins, manholes, inlets, and outfalls designed and constructed to convey surface water.
- Plat** means a map or representation of a subdivision showing the division of a tract or parcel of land into lots, blocks, streets, or other divisions and dedications.
- Point discharge** means the release of collected and/or concentrated surface and storm water runoff from a pipe, culvert, or channel.
- Point of compliance** means the location where detention performance standards are evaluated. In most cases, the point of compliance is the outlet of the proposed detention facility where, for example, 2- and 10-year discharges must match predevelopment 2- and 10-year peak flow rates.
- Pollution-generating impervious surface (PGIS)** means an impervious surface considered to be a significant source of pollutants in stormwater runoff. Such surfaces include those that are *subject to: vehicular use*, industrial activities, or storage of *erodible or leachable materials, wastes, or chemicals* and that receive direct rainfall or the run-on or blow-in of rainfall. A covered parking area would be considered PGIS if runoff from uphill could regularly run through it or if rainfall could regularly blow in and wet the pavement surface. Metal roofs are also considered PGIS unless they are coated with an inert, non-leachable material (see Reference Section 11-E). PGIS includes roofs that are exposed to the venting of significant amounts of dusts, mists, or fumes from manufacturing, commercial, or other indoor activities. PGIS includes vegetated roofs exposed to pesticides, fertilizers, or loss of soil. Other roofing types that may pose risk but are not currently regulated are listed in Reference Section 11-E. Lawns, landscaping, sports fields, golf courses, and other areas that have modified runoff characteristics resulting from the addition of underdrains that have the pollution generating characteristics described under the “pollution-generating pervious surface” definition are also considered *PGIS*.
- Pollution-generating pervious surface (PGPS)** means a non-impervious surface considered to be a significant source of pollutants in surface and stormwater runoff. Such surfaces include those that are *subject to vehicular use*, industrial activities, storage of *erodible or leachable materials, wastes, or chemicals*, and that receive direct rainfall or the run-on or blow-in of rainfall; or subject to use of pesticides and fertilizers, or loss of soil. Such surfaces include, but are not limited to, the lawn and landscaped areas of a residential, commercial, or industrial site or land use, golf courses, parks, sports fields (natural and artificial turf), cemeteries, and grassed modular grid pavement.
- Porosity** means the property of having pores (small openings) that allow the passage of water.
- Pre-application** means the meeting or form used by an applicant for a development permit to present initial project intentions to CED. Preapplication does not mean application.
- Pre-application adjustment** means an adjustment that can be requested prior to permit application. It is useful for when an adjustment decision is needed to determine if a project is feasible, or when the approval conditions must be known to determine if a project is viable before funding a full application. The approval of pre-application adjustments is tied by condition to the project proposal presented at a pre-application meeting with CED.
- Project** means any proposed action to alter or develop a site. The proposed action of a permit application or an approval, which requires drainage review.
- Project site** means that portion of a *site* and any offsite areas subject to proposed project activities, alterations, and improvements including those required by this manual (see “site”).
- Rain garden** means a shallow, landscaped depression with compost-amended native soils and adapted plants. The depression is designed to pond and temporarily store stormwater runoff from adjacent areas, and to allow stormwater to pass through the amended soil profile. Rain gardens can only be used to meet Core Requirement #9.

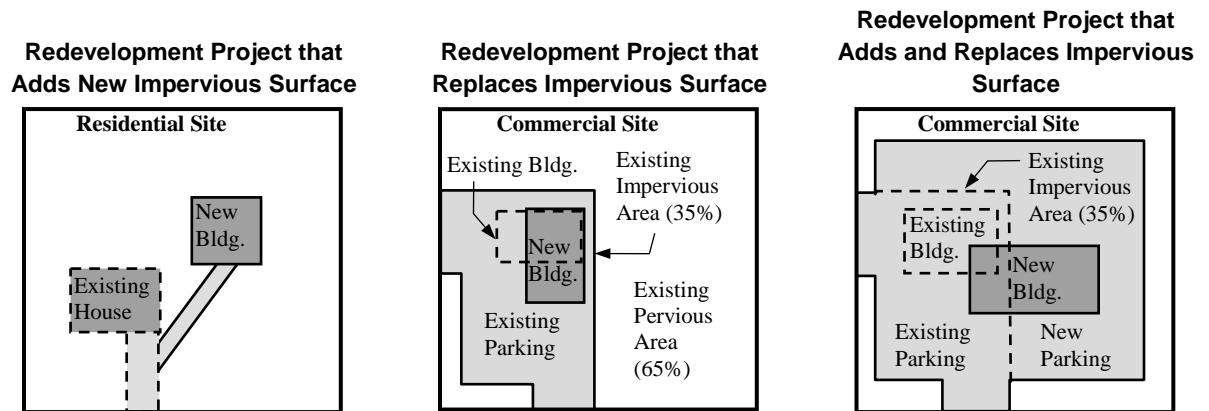
**R/D** means retention/detention facility, another term for flow control facility.

**Reach** means a length of channel with uniform characteristics.

**Receiving waters** means bodies of water, surface water systems, or groundwater receiving water from upstream man-made or natural systems.

**Recharge** means the flow to groundwater from the infiltration of surface and storm water runoff.

**Redevelopment project** means a project that proposes to add, replace, or modify impervious surface (e.g., building, parking lot) for purposes other than a residential subdivision or maintenance on a *site* that is already substantially developed in a manner consistent with its current zoning or with a legal non-conforming use or has an existing impervious surface coverage of 35% or more. The following examples illustrate how this definition may apply to residential and commercial sites.



**Regional detention facility** means a stormwater quantity control structure designed to prevent or correct the existing or future surface water runoff problems of a basin or subbasin as defined by the City of Renton.

**Regional scale factor** means a geographically variable multiplier applied to the flow time series to account for the variations in rainfall amounts, and hence runoff, between the project site and the rainfall station (Landsburg or Sea-Tac).

**Release rate** means the computed peak rate of surface and storm water runoff from a site.

**Replaced impervious surface** means any existing impervious surface on the *project site* that is proposed to be removed and re-established as impervious surface, excluding impervious surface removed for the sole purpose of installing utilities or performing maintenance on underground infrastructure. For structures, *removed* means the removal of buildings down to the foundation. For other impervious surfaces, *removed* means the removal down to base course or bare soil. It does not include the removal of pavement material through grinding or other surface modification unless the entire layer of PCC or AC is removed. Replaced impervious surface also includes impervious surface that is moved from one location to another on the project site where the following two conditions are met: (A) runoff characteristics and volumes remain the same or are improved in the area where the existing impervious surface is removed, and (B) impervious surface at the new location is either designated as non-pollution generating or the pollution generating characteristics remain unchanged compared to that of the original location.

**Replaced PGIS** means replaced impervious surface that is pollution-generating impervious surface.

**Retention** means the process of collecting and holding surface and storm water runoff with no surface outflow.

**Retention/detention facility (R/D)** means a type of drainage facility designed either to hold water for a considerable length of time and then release it by evaporation, plant transpiration, and/or infiltration

into the ground, or to hold surface and storm water runoff for a short period of time and then release it to the surface and storm water conveyance system.

**Retrofitting** means the renovation of an existing site, structure, or facility to meet changed conditions or to improve mitigation of stormwater flow and water quality impacts.

**Riparian** means pertaining to the banks of rivers and streams, and sometimes also wetlands, lakes, or tidewater.

**Riprap** means a facing layer or protective mound of stones placed to prevent erosion or sloughing of a structure or embankment due to the flow of surface and storm water runoff.

**Runoff** means that portion of water originating from rainfall and other precipitation that flows over the surface or just below the surface from where it fell and is found in drainage facilities, rivers, streams, springs, seeps, ponds, lakes, wetlands, and shallow groundwater as well as on ground surfaces.

**Runoff files** means a database of continuous flows pre-simulated by HSPF.

**Runoff Files Method** means a hydrologic modeling tool for the City to produce results (design flows, detention pond sizing, etc.) comparable to those obtained with the U.S. Environmental Protection Agency's HSPF model but with significantly less effort. This is achieved by providing the user with a set of 15 minute time series files of unit area land surface runoff ("runoff files") pre-simulated with HSPF for a range of land cover conditions and soil types within the City.

**Run-on or blow-in of rainfall** means stormwater from uphill that could regularly run through an area, or rainfall that could regularly be blown in and wet the pavement surface.

**Salmon conservation plan** means a plan and all implementing regulations and procedures including, but not limited to, land use management adopted by ordinance, capital projects, public education activities and enforcement programs for conservation and recovery of salmon within a water resource inventory area designated by the state under WAC 173-500-040.

**Salmonid** means a member of the fish family Salmonidae. In the City of Renton, salmonid species include Chinook, Coho, and sockeye salmon; as well as steelhead and kokanee trout. **Sand filter** means a depression, basin, or vault with the bottom made of a layer of sand. Stormwater is treated as it percolates through the sand layer and is discharged via a central collector pipe.

**Scour** means erosion of channel banks due to excessive velocity of the flow of surface and stormwater runoff.

**SCS** means Soil Conservation Service, U.S. Department of Agriculture.

**SCS Method** means a hydrologic analysis based on the Curve Number method (*National Engineering Handbook* – Section 4: Hydrology, August 1972).

**Seasonal high groundwater level** means the highest elevation attained by groundwater, as measured by piezometers or wells, during any calendar year.

**Sediment** means fragmented material which originates from weathering and erosion of rocks or unconsolidated deposits, and which is transported by, suspended in, or deposited by water.

**Sedimentation** means the depositing or formation of sediment.

**Sensitive area** means the area delineated on a site which contains wetlands, streams, steep slopes, hazard areas, landslide hazard areas, and their required buffers. Sensitive areas are recorded as tracts or sensitive area notice on titles.

**Sensitive area setback area** means the area delineated on a site which contains wetlands, streams, steep slopes, hazard areas, landslide hazard areas, and their required buffers. This term was used from November 1990 through December 1995. References to critical areas and their required buffers in this manual shall also apply to sensitive area setback areas.



**Sensitive lake** means a designation applied by the City to lakes that are particularly prone to eutrophication from development-induced increases in phosphorus loading.

**SEPA** means State Environmental Policy Act.

**Severe building flooding problem** means there is flooding of the *finished floor area*<sup>13</sup> of a *habitable building*,<sup>14</sup> or the electrical/heating system of a habitable building for runoff events less than or equal to a 100-year event. Examples include flooding of finished floors of homes and commercial or industrial buildings, or flooding of electrical/heating system components in the crawl space or garage of a home.

**Severe erosion problem** means there is an open drainage feature with evidence of or potential for erosion/incision sufficient to pose a sedimentation hazard to downstream conveyance systems or pose a landslide hazard by undercutting adjacent slopes. Severe erosion problems do not include roadway shoulder rilling or minor ditch erosion.

**Severe flooding problem** means a severe building flooding problem or a severe roadway flooding problem.

**Severe roadway flooding problem** means there is flooding over all lanes of a *roadway*,<sup>15</sup> or a *sole access driveway*<sup>16</sup> is severely impacted, for runoff events less than or equal to the 100-year event. A severely impacted sole access driveway is one in which flooding overtops a culverted section of the driveway, posing a threat of washout or unsafe access conditions due to indiscernible driveway edges, or flooding is deeper than 6 inches on the driveway, posing a severe impediment to emergency access.

**Shared facility** means a drainage facility designed to meet one or more of the requirements of RMC 4-6-030 for two or more separate projects contained within a basin. Shared facilities usually include shared financial commitments for those drainage facilities.

**Sheet erosion** means the relatively uniform removal of soil from an area without the development of conspicuous water channels.

**Sheet flow** means relatively uniform flow over plane surfaces without the concentration of water into conspicuous channels.

**Shoreline development** means the proposed projects regulated by the Shoreline Management Act. Usually this includes the construction over water or within a shoreline zone (generally 200 feet landward of the water) of structures such as buildings, piers, bulkheads, and breakwaters, including environmental alterations such as dredging and filling, or any project which interferes with public navigational rights on the surface waters.

**Shredded wood mulch** means a mulch made from shredded tree trimmings, usually from trees cleared on site and stockpiled until needed. It must be free of garbage and weeds and may not contain excessive resin, tannin, or other material detrimental to plant growth.

**Siltation** means the process by which a river, lake, or other water body becomes clogged with sediment. Silt can clog gravel beds and prevent successful survival of salmon eggs.

**Simplified drainage plan** means a simplified form of site improvement and erosion and sediment control plans (without a technical information report) which can be prepared by a non-engineer from a set of

<sup>13</sup> *Finished floor area*, for the purposes of defining *severe building flooding problem*, means any enclosed area of a building that is designed to be served by the building's permanent heating or cooling system.

<sup>14</sup> *Habitable building* means any residential, commercial, or industrial building that is equipped with a permanent heating or cooling system and an electrical system.

<sup>15</sup> *Roadway*, for the purposes of this definition, means the traveled portion of any public or private road or street classified as such in the *City of Renton Standard Details*.

<sup>16</sup> *Sole access driveway* means there is no other unobstructed, flood-free route for emergency access to a habitable building.

pre-engineered design details. Simplified drainage plans are allowed for projects in Simplified Drainage Review.

**Simplified Drainage Review** means the drainage review for a proposed single family residential project or agricultural project that: results in less than 5,000 square feet of new plus replaced pollution generating impervious surface, results in less than  $\frac{3}{4}$  acre of pollution generating pervious surface, limits target impervious and pervious surface as specified in the Section 1.1.2.1, and meets the simplified drainage requirements specified in Appendix C of this manual, including on-site BMPs, erosion and sediment control measures, and drainage plan submittal requirements.

**Simplified site ESC plan** means a plan and supporting documentation for implementing erosion and sediment control measures that may be prepared by a person who is not a civil engineer for projects that are exempt from drainage review or that are subject to **Simplified Project Drainage Review** but disturb less than 3 acres of a site. The plan is a scale drawing of the site or project site that shows the limits of disturbance and how required ESC measures will be applied to prevent sediment from leaving the project site. The plan must include or be accompanied by any diagrams or figures necessary for installation of proposed ESC measures. CED may allow a written version of this plan if they determine there is no need to illustrate the extent and location of proposed ESC measures.

**Single family residential project** means any project that (a) constructs or modifies a single family dwelling unit, (b) makes improvements (e.g., driveways, roads, outbuildings, play courts, etc.) or clears native vegetation on a lot that contains or will contain a single family dwelling unit, or (c) is a plat, short plat, or boundary line adjustment that creates or adjusts lots that will contain single family dwelling units.

**Site** means a single parcel, or either: two or more contiguous parcels that are under common ownership or documented legal control or a portion of a single parcel under documented legal control separate from the remaining parcel, used as a single parcel for a proposed project for purposes of applying for authority from the City to carry out a proposed project. For projects located primarily within dedicated rights-of-way, the length of the project site and the right-of-way boundaries define the site.

**Site plan (or site improvement plan)** means the plan that consists of all the plans, profiles, details, notes and specifications necessary to construct road, drainage structure and off-street parking improvements. See also “modified site improvement plan.” The site plan shall include a scale drawing of an individual site/lot to show how required on-site BMPs will be applied to the target surfaces of an individual site/lot that does not contain a flow control facility or water quality facility. CED may allow a written version of this plan if they determine that there is no need to illustrate the size and location of proposed on-site BMPs.

**Slope** means the gradient in feet (vertical) per feet (horizontal) or expressed as percent. Side slopes of drainage facilities are usually referred to with the horizontal dimension first (as in 3H:1V).

**Sloughing** means the sliding of overlying material. Sloughing has the same effect as caving, but it usually occurs when the bank or an underlying stratum is saturated or scoured.

**Soil bioengineering** means a method of soil or land stabilization that uses living plant material selected for the specific site situation as the major structural or engineering component of the stabilization.

**Soil permeability** means the ease with which gases, liquids, or plant roots penetrate or pass through a layer of soil.

**Soil scientist** means a person who has earned a degree in soil science, agronomy, or hydrogeology from an accredited college or university, or who has equivalent educational training and has at least five years of experience, or who has four years of experience and at least two years of post-graduate study. Two years of experience must be in the State of Washington with local soil types.

**Soil stabilization** means the use of measures such as rock lining, vegetation, or other engineering structures to prevent the movement of soil when loads are applied to the soil.

**Sole access driveway** means there is no other unobstructed, flood-free route for emergency access to a habitable building. *Severely impacting* means the flooding overtops a culverted section of the driveway, posing a threat of washout or unsafe access conditions due to indiscernible driveway edges, or the flooding is deeper than 6 inches on the driveway, posing a severe impediment to emergency access.

**Sole access roadway** means there is no other flood-free route for emergency access to one or more dwelling units.

**Sole-source aquifer** means an aquifer that is the only source of drinking water for a given community and that is so designated by the U.S. Environmental Protection Agency.

**Specific energy** means the total energy within any system with respect to the channel bottom; equal to the potential head plus velocity and pressure heads.

**Sphagnum bog wetland** means a unique wetland having a predominance of sphagnum moss creating a substrate upon which a distinctive community of plants is established. Some of these include *Ledum groenlandicum* (Labrador tea), *Kalmia occidentalis* (bog laurel), *Drosera rotundifolia* (sundew), and *Vaccinium oxycoccos* (cranberry). Stunted evergreen trees are also sometimes present. In addition to a distinctive plant community, the water chemistry of a sphagnum bog wetland is unique. It is characterized by acidic waters (pH 3 to 5.5), low nutrient content, low alkalinity, and a buffering system composed predominantly of organic acids. In the Puget Sound area, mature sphagnum bog wetlands are typically very old, often dating back thousands of years. There are several classification schemes for wetlands dominated by sphagnum moss, and a successional series from conventional wetlands to fens to sphagnum bog is recognized by most ecologists. Some biologists use water chemistry and plant community composition to determine where in this successional series a wetland should be placed. In these classification schemes, the sphagnum wetlands defined in this manual would be bogs. Others base the wetland type on the source of water, in which case most King County sphagnum wetlands would be fens. This manual has adopted the classification scheme based on water chemistry and plant communities and hence refers to these wetlands as bogs rather than fens. The size of a sphagnum bog wetland is defined by the boundaries of the sphagnum bog plant community.

**Spill control device** means a Tee section or down turned elbow designed to retain a limited volume of pollutant that floats on water, such as oil or antifreeze. Spill control devices are passive and must be followed by clean-up activity for the spilled pollutant to actually be removed.

**State Environmental Policy Act (SEPA)** means the Washington State law intended to minimize environmental damage. SEPA requires that state agencies and local governments consider environmental factors when making decisions on activities, such as development proposals over a certain size and comprehensive plans. As part of this process, environmental documents are prepared and opportunities for public comment are provided.

**Steep slope hazard area** is the critical area designation, defined and regulated in RMC 4-3-050, that is applied to areas where extra protection of sensitive slopes is required. Refer to the City of Renton Map Gallery for a map of steep slope hazard areas (<<http://rentonwa.gov/government/default.aspx?id=29885>>).

**Storage routing** means a method to account for the attenuation of peak flows passing through a detention facility or other storage feature.

**Storm drains** means the enclosed conduits that transport surface and storm water runoff toward points of discharge (sometimes called storm sewers).

**Storm drain system** means the system of gutters, pipes, streams, or ditches used to carry surface and storm water from surrounding lands to streams, lakes, or Puget Sound.

**Stormwater** means the water produced during precipitation or snowmelt, which runs off, soaks into the ground, or is dissipated through evapotranspiration. Stormwater that runs off or soaks into the ground ultimately becomes surface water or groundwater.

**Stormwater compliance plan** means a plan or study and all regulations and procedures that have been adopted by the City to implement the plan or study, including, but not limited to, capital projects, public education activities, and enforcement programs for managing stormwater quantity and quality discharged from the City's municipal separate storm sewer system in compliance with the National Pollutant Discharge Elimination System permit program under the Clean Water Act.

**Stormwater Pollution Prevention Manual** means the manual referenced in RMC 4-6-030, including supporting documentation referenced or incorporated in the manual, describing best management practices and procedures for eliminating or reducing surface, storm, and ground water contamination from existing facilities and existing and new activities not covered by this manual.

**Stormwater pollution prevention and spill (SWPPS) plan** means the plan and supporting documentation for implementing pollution and spill prevention BMPs on the project site during construction as required by the *Stormwater Pollution Prevention Manual*. This plan is a component of the construction stormwater pollution prevention plan (CSWPPP), which is submitted with the engineering plans required for drainage review.

**Stormwater runoff** means stormwater that flows over, or just below, the surface where it fell or melted. Stormwater runoff contributes to and becomes surface water or groundwater.

**Stormwater wetland** means a wetland constructed, often in areas of upland soil, for the purpose of treating stormwater. When created in upland soils, stormwater wetlands are not considered waters of the State if they are regularly maintained. In the City, stormwater wetlands cannot currently be used to mitigate for impacts to an existing natural wetland.

**Stream** means an aquatic area where surface water produces a channel, not including a wholly artificial channel unless it is used by salmonids or used to convey a stream that occurred naturally before construction of the artificial channel. Those topographic features that resemble streams but have no defined channels (e.g., swales) shall be considered streams when hydrologic and hydraulic analyses done pursuant to a development proposal predict formation of a defined channel after development.

**Structural engineer** means a person licensed by the State of Washington as a professional civil engineer specializing in structural engineering.

**Structure** means a catch basin or manhole in reference to a storm drainage system.

**Stub-out** means a length of pipe provided for future connection to the storm drainage system.

**Subbasin** means a geographic area that (1) drains to a stream or waterbody named and noted on common maps and (2) is contained within the basin of the stream or water body.

**Subcritical flow** means flow at depths greater than the critical depth.

**Subject to vehicular use** means the surface is regularly used by motor vehicles including but not limited to motorcycles, cars, trucks, busses, aircraft, tractors, and heavy equipment. The following surfaces are considered regularly used by motor vehicles: roads, un-vegetated road shoulders, bike lanes within the traveled lane of a roadway, driveways, parking lots, unrestricted access fire lanes, vehicular equipment storage yards, and airport taxiways and runways. The following surfaces are not considered regularly used by motor vehicles: paved bicycle pathways separated from and not subject to drainage from roads for motor vehicles, fenced or restricted access fire lanes, and maintenance access roads with a recurring use of no more than one routine vehicle access per week.

**Supercritical flow** means flow at depths less than the critical depth.

**Surface and storm water management system** means drainage facilities and any other natural features which collect, store, control, treat, and/or convey surface and storm water.

**Surface flow** means that which travels over land or in an open or piped conveyance system.

**Surface water** means the water that exists on land surfaces before, during, and after stormwater runoff occurs and includes, but is not limited to, the water found on ground surfaces and in drainage

facilities, rivers, streams, springs, seeps, ponds, lakes, wetlands, and Puget Sound. It also includes shallow groundwater.

**Surface Water Design Manual** means this manual, and supporting documentation referenced or incorporated in the manual, describing surface and stormwater design and analysis requirements, procedures, and guidance. The *Surface Water Design Manual* is available from the City of Renton.

**Swale** means a shallow drainage conveyance with relatively gentle side slopes, generally with flow depths less than one foot.

**SWDM** means Surface Water Design Manual.

**Targeted Drainage Review** means an abbreviated evaluation required by RMC 4-6-030 for certain types of proposed projects that are not subject to full or large project drainage review. Targeted drainage review may be required for some projects in simplified drainage review.

**Target impervious surface** means that portion of a *site's* new and/or replaced impervious surface from which runoff impacts are required to be mitigated by a particular set of drainage requirements (flow control facility, water quality facility, and/or on-site BMP).

Type of Development	Target Impervious Surface
New development	New plus replaced impervious surface
Redevelopment with < 5,000 sf impervious or improvements < 50% of the assessed value of the existing site improvements	New impervious surface
Redevelopment with ≥ 5,000 sf impervious and improvements ≥ 50% of the assessed value of the existing site improvements	New plus replaced impervious surface

**Target pervious surface** means all areas subject to clearing and grading that have not been covered by an *impervious surface*, incorporated into a drainage facility, or engineered as structural fill or slope.

**Target surface** means a developed surface from which runoff impacts are required to be mitigated by a particular set of drainage requirements.

**Target PGIS** means a pollution-generating impervious surface from which runoff impacts to water quality are required to be mitigated by the area-specific water quality facility requirement (see “pollution-generating impervious surface”).

**Target PGPS** means a pollution-generating pervious surface from which runoff impacts to water quality are required to be mitigated by the area-specific water quality facility requirement (see “pollution-generating pervious surface”).

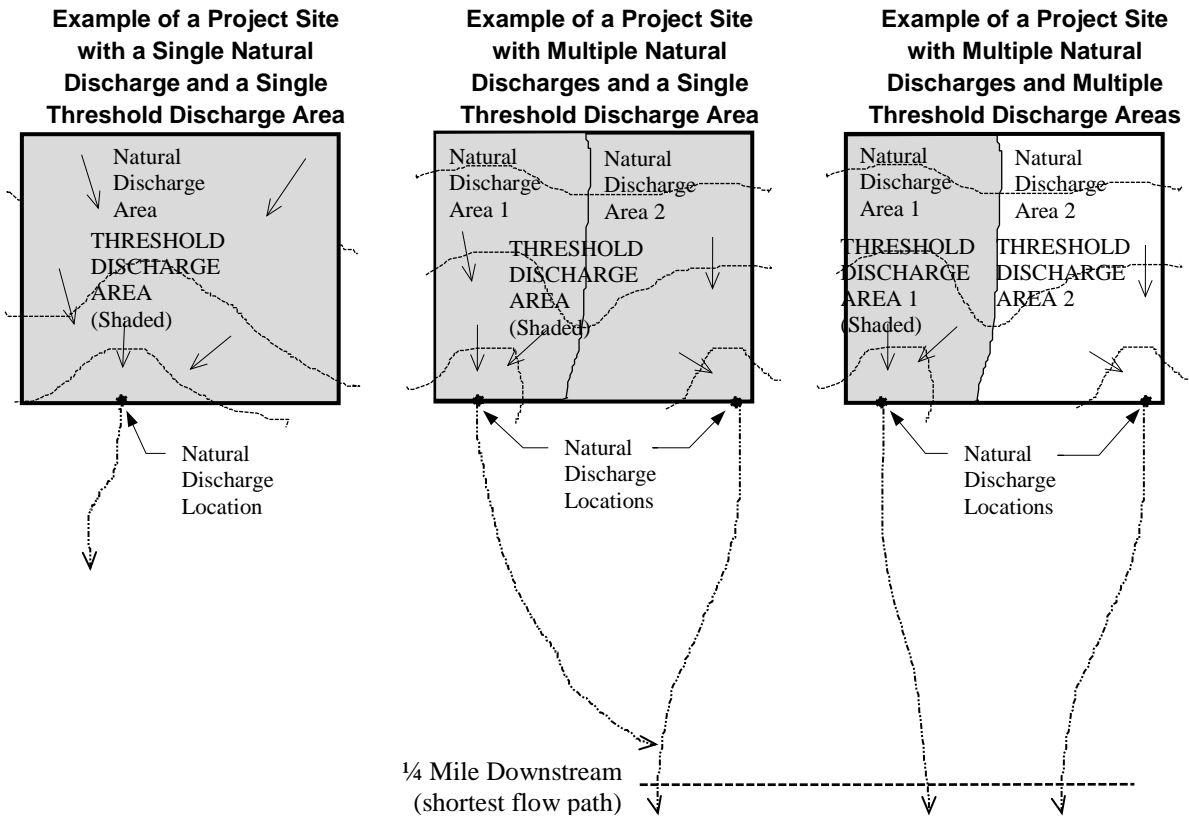
**Temperature problem** means a stream reach, lake, or other waterbody of the state that is either (1) currently designated by the state as a Category 5, 4, or 2 Water due to exceedance or concern for exceedance of the state’s numeric water quality standard for temperature as documented in the state’s latest Water Quality Assessment 303(d)/305(b) Integrated Report and as displayed in WA Ecology’s electronic database and map viewers<sup>17</sup> of these waterbodies, or (2) is currently designated by the County as a temperature problem based on credible data indicating exceedance or concern for exceedance of the state’s numeric water quality standard for temperature<sup>18</sup>

<sup>17</sup> The link to the Query Tool is <<https://fortress.wa.gov/ecy/wats/ApprovedSearch.aspx>>. The Map Tool is at <<https://fortress.wa.gov/ecy/wqamapviewer/default.aspx?res=1280x1024>>.

<sup>18</sup> Footnote 18 is not used.

**Temporary Erosion and Sediment Control (ESC, or TESC) Measures** means those erosion and sediment control measures implemented before final stabilization of the site to reduce erosion, control siltation and sedimentation, and prevent the discharge of sediment-laden water from the site.

**Threshold discharge area** means an onsite area draining to a single *natural discharge location*, or multiple *natural discharge locations* that combine within one-quarter-mile downstream (as determined by the shortest flowpath). The examples below illustrate this definition. This term is used to clarify how the thresholds, exemptions, and exceptions of this manual are applied to *sites* with multiple discharge locations.



**Tightline** means a continuous length of pipe that conveys water from one point to another (typically down a steep slope) with no inlets or collection points in between.

**Tightline system** means a continuous length of pipe used to convey flows down a steep or sensitive slope with appropriate energy dissipation at the discharge end.

**Till** means a layer of poorly sorted soil deposited by glacial action; in the City of Renton, till typically has a high silt content (see Section 3.2.2.1 for a description of soil groups).

**Time of concentration** means the time it takes runoff to travel overland (from the onset of precipitation) from the most hydraulically distant location in the drainage basin to the point of discharge.

**Total phosphorous (TP)** means a naturally occurring element essential for plant growth. Total phosphorous includes both dissolved and particulate phases of phosphorous. Excess phosphorous can cause excess algae growth in lakes and streams, resulting in aesthetic problems and threats to aquatic life.

**Total suspended solids (TSS)** means that portion of the solids carried by stormwater that can be caught on a standard glass filter. Additional pollutants such as metals and organics are often associated with the finer portion of the solids.

**Toxic** means poisonous, carcinogenic, or otherwise directly harmful to life.

**Tract** means a legally created parcel of property designated for special non-residential and non-commercial uses.

**Transportation redevelopment project** means a stand-alone transportation improvement project that proposes to add, replace, or modify impervious surface, for purposes other than maintenance, within a length of dedicated public or private road right-of-way that has an existing impervious surface coverage of thirty-five percent or more. Road right-of-way improvements required as part of a subdivision or commercial development project may not be defined as a separate transportation redevelopment project.

**Travel time** means the estimated time for surface water to flow between two points of interest.

**Treatment train** means a combination of two or more treatment facilities connected in series (i.e., the design water volume passes through each facility in turn).

**Tributary** means a drainage feature that collects water and conveys it to another drainage feature (e.g., a drainage channel is tributary to a stream into which it flows).

**Tributary area** means the geographical area (not constrained by property boundaries) that drains to the point of concern.

**Turbidity** means the dispersion or scattering of light in a liquid, caused by suspended solids and other factors: commonly used as a measure of suspended solids in a liquid.

**Turbidity problem** means a stream reach, lake, or other waterbody of the state that is either (1) currently designated by the state as a Category 5, 4, or 2 Waterbody due to exceedance or concern for exceedance of the state's numeric water quality standard for turbidity as documented in the state's latest Water Quality Assessment 303(d)/305(b) Integrated Report and as displayed in WA Ecology's electronic database and map viewers<sup>19</sup> of these waterbodies, or (2) is currently designated by the County as a turbidity problem based on credible data indicating exceedance or concern for exceedance of the state's numeric water quality standard for turbidity<sup>20</sup>.

**Undisturbed buffer** means a zone where development activity, including logging and the construction of utility trenches, roads, and/or surface and storm water drainage facility systems, shall not occur.

**Undisturbed low gradient uplands** means forested land that is sufficiently large and flat to infiltrate surface and storm runoff without allowing the concentration of water on the surface of the ground.

**Water quality facility** means a drainage facility designed to mitigate the impacts of increased pollutants in stormwater runoff generated by site development. A water quality facility uses processes that include but are not limited to settling, filtration, adsorption, and absorption to decrease pollutant concentrations and loadings in stormwater runoff.

**Watershed** means the geographic region from which water drains toward a central collector such as a stream, river, lake, or salt water.

**Wetpool** means the volume of water more or less permanently contained in a pond or vault. The volume of water in a wetpool is normally lost only through natural processes such as evaporation, evapotranspiration, or slow infiltration into the ground.

**Wetpond** and **wetvault** mean drainage facilities for water quality treatment that contain a permanent pool of water. They are designed to optimize water quality by providing long retention times (on the order of a week or more) to settle out particles of fine sediment to which pollutants such as heavy metals may adsorb, and to allow biologic activity to occur that metabolizes nutrients and organic pollutants.

<sup>19</sup> The link to the Query Tool is <<https://fortress.wa.gov/ecy/wats/ApprovedSearch.aspx>>. The Map Tool is at <<https://fortress.wa.gov/ecy/wqamapviewer/default.aspx?res=1280x1024>>.

<sup>20</sup> Footnote 20 is not used.

For wetvaults, the permanent pool of water is covered by a lid which blocks sunlight from entering the facility, limiting light-dependent biologic activity.

**Wetland** means an area that is not an aquatic area and that is inundated or saturated by ground or surface water at a frequency and duration sufficient to support, and under normal circumstances supports, a prevalence of vegetation typically adapted for life in saturated soil conditions. For purposes of this definition:

- Where the vegetation has been removed or substantially altered, wetland is determined by the presence or evidence of hydric soil, by other documentation such as aerial photographs of the previous existence of wetland vegetation or by any other manner authorized in the wetland delineation manual required by RCW 36.70A.175; and
- Except for artificial features intentionally made for purposes of mitigation, wetland does not include an artificial feature made from a non-wetland area, which may include, but is not limited to a surface water conveyance for drainage or irrigation; a grass-lined swale; a canal; a flow control facility; a wastewater treatment facility; a farm pond; a wetpond; landscape amenities; or a wetland created after July 1, 1990, that was unintentionally made as a result of construction of a road, street or highway.

**Wetland edge** means the line delineating the outer edge of a wetland, consistent with the wetland delineation manual required by RCW 36.70A.175.

**Wet Season** means October 1 to April 30.

**WQ** means water quality.

**Zero-rise floodway** means the channel of a stream and that portion of the adjoining floodplain that is necessary to contain and discharge the base flood flow without measurable increase in the base flood elevation. For the purpose of this definition, “measurable increase in base flood elevation” means a calculated upward rise in the base flood elevation, equal to or greater than 0.01 foot, resulting from a comparison of existing conditions and changed conditions directly attributable to alterations of the topography or any other flow obstructions in the floodplain. The “zero rise floodway” is broader than that of the FEMA floodway but always includes the FEMA floodway. The “zero-rise floodway” includes the entire floodplain unless a critical areas report demonstrates otherwise.

**Zinc** is one of several heavy metals of concern in the aquatic environment, and is used as one indicator of a whole range of metals found in urban runoff.

**Zone 1 of the Aquifer Protection Area** means the land area situated between a well or well field owned by the City of Renton and the one-year groundwater travel time contour and not otherwise designated as Zone 1 Modified as depicted in the Aquifer Protection map found in the City of Renton Map Gallery (<<http://rentonwa.gov/government/default.aspx?id=29885>>). Zone 1 of the APA is shown on Reference Section 15-B, Groundwater Protection Areas in the City of Renton.

**Zone 2 of the Aquifer Protection Area** means the land area situated between the one-year groundwater travel time contour and the boundary of the zone of potential capture for a well or well field owned or operated by the City. If the aquifer supplying water to such a well, well field, or spring is naturally protected by confining overlying and underlying geologic layers, the City may choose not to subdivide an *Aquifer Protection Area* into two (2) zones. In such a case, the entire *Aquifer Protection Area* will be designated as Zone 2.

## References

AASHTO. (2001). Guidelines for geometric design of very low-volume local roads (ADT < 400). American Association of State Highway and Transportation Officials.

American Land Title Association, & American Congress on Surveying and Mapping. (1997). Minimum standard detail requirements for ALTA/ACSM land title surveys. Washington, D.C.: The Association.



- Buckman, & Brady. (1969). *The Nature and Properties of Soils*. Canada Ltd., Toronto, Ontario: Collier-Macmillan.
- Chapman. (1965). Cation-exchange Capacity. In C. A. Black (Ed.), *Method of Soil Analysis, Part 2: Chemical and Microbiological Properties. Number 9 in the series Agronomy* (pp. 891-900). Madison, Wisconsin: American Society of Agronomy, Inc.
- Diehl. (1997). Potential drift accumulation at bridges. McLean, Va: U.S. Dept. of Transportation, Federal Highway Administration, Research and Development, Turner-Fairbank Highway Research Center.
- Goldman, Jackson, & Bursztynsky. (1986). *Erosion and sediment control handbook*. New York: McGraw-Hill.
- Hinman. (2013). *Rain garden handbook for Western Washington: A guide for design, installation and maintenance*. Puyallup, Wash.: WSU Extension.
- Horner, Guedry, & Korten Hof. (1990). Improving the cost effectiveness of highway construction site erosion and pollution control. Washington State Department of Transportation.
- King County. (1993). *Guidelines for bank stabilization projects in the riverine environments of King County*. Seattle, Washington: King County Department of Public Works, Surface Management Division.
- King County (Wash.). (1990). *King County, Washington surface water design manual*. Seattle, Washington: Surface Water Management Division, King County Department of Public Works.
- King County. (1995). *Master Drainage Planning for Large Site Development- Process and Requirement Guidelines*.
- King County. (2009). *Surface Water Design Manual*. King County, Washington. Department of Natural Resources and Parks.
- Linsley, Kohler, & Paulhus. (1975). *Hydrology for engineers*. New York: McGraw-Hill.
- Maidment. (1993). *Handbook of Hydrology*. New York: McGraw-Hill.
- Maynard, Ruff & Abt. (1989). Riprap design. *Journal of Hydraulic Engineering*, 115, 7, 937–949.
- NRCS. (1986). *Urban Hydrology for Small Watersheds, Technical Release 55 (TR-55)*. United States Department of Agriculture. Natural Resources Conservation Service. Conservation Engineering Division. June 1986.
- Renton. (2010). *Amendments to the King County Surface Water Design Manual*. City of Renton. Public Works Department. Surface Water Utility.
- WA Ecology. (1992). *Stormwater Management Manual for the Puget Sound Basin. The Technical Manual*. Washington State Department of Ecology.
- WA Ecology. (2004). *Stormwater Management Manual for Eastern Washington*. Washington State Department of Ecology.
- WA Ecology. (2014). *Stormwater Management Manual for Western Washington*. Washington State Department of Ecology.
- WA Ecology. (2014). *Stormwater Management manual for Western Washington*. Washington State Department of Ecology.
- Wikipedia. (2013). Cation exchange capacity. Retrieved November 7, 2013, from [https://en.wikipedia.org/wiki/Cation-exchange\\_capacity](https://en.wikipedia.org/wiki/Cation-exchange_capacity)
- WSDOT. (2014). *Standard Specifications for Road, Bridge, and Municipal Construction. M 41-10*. Washington State Department of Transportation.

*(This page intentionally left blank.)*

# APPENDIX A

## MAINTENANCE REQUIREMENTS FOR STORMWATER FACILITIES AND ON-SITE BMPS

This appendix contains the maintenance requirements for the following typical stormwater flow control and water quality facilities and on-site BMPs (*ctrl/click the title to follow the link*):

- No. 1 – Detention Ponds**
- No. 2 – Infiltration Facilities**
- No. 3 – Detention Tanks and Vaults**
- No. 4 – Control Structure/Flow Restrictor**
- No. 5 – Catch Basins and Manholes**
- No. 6 – Conveyance Pipes and Ditches**
- No. 7 – Debris Barriers (e.g., trash racks)**
- No. 8 – Energy Dissipaters**
- No. 9 – Fencing**
- No. 10 – Gates/Bollards/Access Barriers**
- No. 11 – Grounds (landscaping)**
- No. 12 – Access Roads**
- No. 13 – Basic Bioswale (grass)**
- No. 14 – Wet Bioswale**
- No. 15 – Filter Strip**
- No. 16 – Wetpond**
- No. 17 – Wetvault**
- No. 18 – Stormwater Wetland**
- No. 19 – Sand Filter Pond**
- No. 20 – Sand Filter Vault**
- No. 21 – Proprietary Facility Cartridge Filter Systems**
- No. 22 – Baffle Oil/Water Separator**
- No. 23 – Coalescing Plate Oil/Water Separator**

- No. 24 – Catch Basin Insert (not allowed in the city for oil control)**
- No. 25 – Drywell BMP**
- No. 26 – Gravel Filled Infiltration Trench BMP**
- No. 27 – Gravel Filled Dispersion Trench BMP**
- No. 28 – Native Vegetated Surface/Native Vegetated Landscape BMP**
- No. 29 – Perforated Pipe Connections BMP**
- No. 30 – Permeable Pavement BMP**
- No. 31 – Bioretention BMP**
- No. 32 – RainWater Harvesting BMP**
- No. 33 – Rock Pad BMP**
- No. 34 – Sheet Flow BMP**
- No. 35 – Splash Block BMP**
- No. 36 – Vegetated Roof BMP**
- No. 37 – Rain Garden BMP**
- No. 38 – Soil Amendment BMP**
- No. 39 – Retained Trees**
- No. 40 – Filterra System**
- No. 41 – Compost Amended Vegetated Filter Strip (CAVFS)**
- No. 42 – Media Filter Drain (MFD)**
- No. 43 – Compost-Amended Biofiltration Swale**

<b>NO. 1 – DETENTION PONDS</b>			
<b>MAINTENANCE COMPONENT</b>	<b>DEFECT OR PROBLEM</b>	<b>CONDITIONS WHEN MAINTENANCE IS NEEDED</b>	<b>RESULTS EXPECTED WHEN MAINTENANCE IS PERFORMED</b>
Site	Trash and debris	Any trash and debris which exceed 1 cubic foot per 1,000 square feet (this is about equal to the amount of trash it would take to fill up one standard size office garbage can). In general, there should be no visual evidence of dumping.	Trash and debris cleared from site.
	Noxious weeds	Any noxious or nuisance vegetation which may constitute a hazard to City personnel or the public.	Noxious and nuisance vegetation removed according to applicable regulations. No danger of noxious vegetation where City personnel or the public might normally be.
	Contaminants and pollution	Any evidence of contaminants or pollution such as oil, gasoline, concrete slurries or paint.	Materials removed and disposed of according to applicable regulations. Source control BMPs implemented if appropriate. No contaminants present other than a surface oil film.
	Excessive growth of grass/groundcover	Grass or groundcover exceeds 18 inches in height.	Grass or groundcover mowed to a height no greater than 6 inches.
Top or Side Slopes of Dam, Berm or Embankment	Rodent holes	Any evidence of rodent holes if facility is acting as a dam or berm, or any evidence of water piping through dam or berm via rodent holes.	Rodents removed or destroyed and dam or berm repaired.
	Tree growth	Tree growth threatens integrity of slopes, does not allow maintenance access, or interferes with maintenance activity. If trees are not a threat or not interfering with access or maintenance, they do not need to be removed.	Trees do not hinder facility performance or maintenance activities.
	Erosion	Eroded damage over 2 inches deep where cause of damage is still present or where there is potential for continued erosion. Any erosion observed on a compacted slope.	Slopes stabilized using appropriate erosion control measures. If erosion is occurring on compacted slope, a licensed civil engineer should be consulted to resolve source of erosion.
	Settlement	Any part of a dam, berm or embankment that has settled 4 inches lower than the design elevation.	Top or side slope restored to design dimensions. If settlement is significant, a licensed civil engineer should be consulted to determine the cause of the settlement.
Storage Area	Sediment accumulation	Accumulated sediment that exceeds 10% of the designed pond depth.	Sediment cleaned out to designed pond shape and depth; pond reseeded if necessary to control erosion.
	Liner damaged (If applicable)	Liner is visible or pond does not hold water as designed.	Liner repaired or replaced.
Inlet/Outlet Pipe	Sediment accumulation	Sediment filling 20% or more of the pipe.	Inlet/outlet pipes clear of sediment.
	Trash and debris	Trash and debris accumulated in inlet/outlet pipes (includes floatables and non-floatables).	No trash or debris in pipes.
	Damaged inlet/outlet pipe	Cracks wider than ½-inch at the joint of the inlet/outlet pipes or any evidence of soil entering at the joints of the inlet/outlet pipes.	No cracks more than ¼-inch wide at the joint of the inlet/outlet pipe.
Emergency Overflow/Spillway	Tree growth	Tree growth impedes flow or threatens stability of spillway.	Trees removed.
	Rock missing	Only one layer of rock exists above native soil in area five square feet or larger or any exposure of native soil on the spillway.	Spillway restored to design standards.

<b>NO. 2 – INFILTRATION FACILITIES</b>			
<b>MAINTENANCE COMPONENT</b>	<b>DEFECT OR PROBLEM</b>	<b>CONDITIONS WHEN MAINTENANCE IS NEEDED</b>	<b>RESULTS EXPECTED WHEN MAINTENANCE IS PERFORMED</b>
Site	Trash and debris	Any trash and debris which exceed 1 cubic foot per 1,000 square feet (this is about equal to the amount of trash it would take to fill up one standard size office garbage can). In general, there should be no visual evidence of dumping.	Trash and debris cleared from site.
	Noxious weeds	Any noxious or nuisance vegetation which may constitute a hazard to City personnel or the public.	Noxious and nuisance vegetation removed according to applicable regulations. No danger of noxious vegetation where City personnel or the public might normally be.
	Contaminants and pollution	Any evidence of contaminants or pollution such as oil, gasoline, concrete slurries or paint.	Materials removed and disposed of according to applicable regulations. Source control BMPs implemented if appropriate. No contaminants present other than a surface oil film.
	Excessive growth of grass/groundcover	Grass or groundcover exceeds 18 inches in height.	Grass or groundcover mowed to a height no greater than 6 inches.
Infiltration Pond, Top or Side Slopes of Dam, Berm or Embankment	Rodent holes	Any evidence of rodent holes if facility is acting as a dam or berm, or any evidence of water piping through dam or berm via rodent holes.	Rodents removed or destroyed and dam or berm repaired.
	Tree growth	Tree growth threatens integrity of dams, berms or slopes, does not allow maintenance access, or interferes with maintenance activity. If trees are not a threat to dam, berm, or embankment integrity or not interfering with access or maintenance, they do not need to be removed.	Trees do not hinder facility performance or maintenance activities.
	Erosion	Eroded damage over 2 inches deep where cause of damage is still present or where there is potential for continued erosion. Any erosion observed on a compacted slope.	Slopes stabilized using appropriate erosion control measures. If erosion is occurring on compacted slope, a licensed civil engineer should be consulted to resolve source of erosion.
	Settlement	Any part of a dam, berm or embankment that has settled 4 inches lower than the design elevation.	Top or side slope restored to design dimensions. If settlement is significant, a licensed civil engineer should be consulted to determine the cause of the settlement.
Infiltration Pond, Tank, Vault, Trench, or Small Basin Storage Area	Sediment accumulation	If two inches or more sediment is present or a percolation test indicates facility is working at or less than 90% of design.	Facility infiltrates as designed.
	Liner damaged (If applicable)	Liner is visible or pond does not hold water as designed.	Liner repaired or replaced.
Infiltration Tank Structure	Plugged air vent	Any blockage of the vent.	Tank or vault freely vents.
	Tank bent out of shape	Any part of tank/pipe is bent out of shape more than 10% of its design shape.	Tank repaired or replaced to design.
	Gaps between sections, damaged joints or cracks or tears in wall	A gap wider than ½-inch at the joint of any tank sections or any evidence of soil particles entering the tank at a joint or through a wall.	No water or soil entering tank through joints or walls.
Infiltration Vault Structure	Damage to wall, frame, bottom, and/or top slab	Cracks wider than ½-inch, any evidence of soil entering the structure through cracks or qualified inspection personnel determines that the vault is not structurally sound.	Vault is sealed and structurally sound.

<b>NO. 2 – INFILTRATION FACILITIES</b>			
<b>MAINTENANCE COMPONENT</b>	<b>DEFECT OR PROBLEM</b>	<b>CONDITIONS WHEN MAINTENANCE IS NEEDED</b>	<b>RESULTS EXPECTED WHEN MAINTENANCE IS PERFORMED</b>
Inlet/Outlet Pipes	Sediment accumulation	Sediment filling 20% or more of the pipe.	Inlet/outlet pipes clear of sediment.
	Trash and debris	Trash and debris accumulated in inlet/outlet pipes (includes floatables and non-floatables).	No trash or debris in pipes.
	Damaged inlet/outlet pipe	Cracks wider than ½-inch at the joint of the inlet/outlet pipes or any evidence of soil entering at the joints of the inlet/outlet pipes.	No cracks more than ¼-inch wide at the joint of the inlet/outlet pipe.
Access Manhole	Cover/lid not in place	Cover/lid is missing or only partially in place. <b>Any open manhole requires immediate maintenance.</b>	Manhole access covered.
	Locking mechanism not working	Mechanism cannot be opened by one maintenance person with proper tools. Bolts cannot be seated. Self-locking cover/lid does not work.	Mechanism opens with proper tools.
	Cover/lid difficult to remove	One maintenance person cannot remove cover/lid after applying 80 lbs of lift.	Cover/lid can be removed and reinstalled by one maintenance person.
	Ladder rungs unsafe	Missing rungs, misalignment, rust, or cracks.	Ladder meets design standards. Allows maintenance person safe access.
Large access doors/plate	Damaged or difficult to open	Large access doors or plates cannot be opened/removed using normal equipment.	Replace or repair access door so it can be opened as designed.
	Gaps, doesn't cover completely	Large access doors not flat and/or access opening not completely covered.	Doors close flat; covers access opening completely.
	Lifting rings missing, rusted	Lifting rings not capable of lifting weight of door or plate.	Lifting rings sufficient to lift or remove door or plate.
Infiltration Pond, Tank, Vault, Trench, or Small Basin Filter Bags	Plugged filter bag (if applicable)	Filter bag more than ½ full.	Replace filter bag or redesign system.
Infiltration Pond, Tank, Vault, Trench, or Small Basin Pre-settling Ponds and Vaults	Sediment accumulation	6" or more of sediment has accumulated.	Pre-settling occurs as designed
Infiltration Pond, Rock Filter	Plugged rock filter	High water level on upstream side of filter remains for extended period of time or little or no water flows through filter during heavy rain storms.	Rock filter replaced evaluate need for filter and remove if not necessary.
Infiltration Pond Emergency Overflow Spillway	Rock missing	Only one layer of rock exists above native soil in area five square feet or larger, or any exposure of native soil at the top of out flow path of spillway. Rip-rap on inside slopes need not be replaced.	Spillway restored to design standards.
	Tree growth	Tree growth impedes flow or threatens stability of spillway.	Trees removed.

NO. 3 – DETENTION TANKS AND VAULTS			
MAINTENANCE COMPONENT	DEFECT OR PROBLEM	CONDITIONS WHEN MAINTENANCE IS NEEDED	RESULTS EXPECTED WHEN MAINTENANCE IS PERFORMED
Site	Trash and debris	Any trash and debris which exceed 1 cubic foot per 1,000 square feet (this is about equal to the amount of trash it would take to fill up one standard size office garbage can). In general, there should be no visual evidence of dumping.	Trash and debris cleared from site.
	Noxious weeds	Any noxious or nuisance vegetation which may constitute a hazard to City personnel or the public.	Noxious and nuisance vegetation removed according to applicable regulations. No danger of noxious vegetation where City personnel or the public might normally be.
	Contaminants and pollution	Any evidence of contaminants or pollution such as oil, gasoline, concrete slurries or paint.	Materials removed and disposed of according to applicable regulations. Source control BMPs implemented if appropriate. No contaminants present other than a surface oil film.
	Excessive growth of grass/groundcover	Grass or groundcover exceeds 18 inches in height.	Grass or groundcover mowed to a height no greater than 6 inches.
Tank or Vault Storage Area	Trash and debris	Any trash and debris accumulated in vault or tank (includes floatables and non-floatables).	No trash or debris in vault.
	Sediment accumulation	Accumulated sediment depth exceeds 10% of the diameter of the storage area for ½ length of storage vault or any point depth exceeds 15% of diameter. Example: 72-inch storage tank would require cleaning when sediment reaches depth of 7 inches for more than ½ length of tank.	All sediment removed from storage area.
Tank Structure	Plugged air vent	Any blockage of the vent.	Tank or vault freely vents.
	Tank bent out of shape	Any part of tank/pipe is bent out of shape more than 10% of its design shape.	Tank repaired or replaced to design.
	Gaps between sections, damaged joints or cracks or tears in wall	A gap wider than ½-inch at the joint of any tank sections or any evidence of soil particles entering the tank at a joint or through a wall.	No water or soil entering tank through joints or walls.
Vault Structure	Damage to wall, frame, bottom, and/or top slab	Cracks wider than ½-inch, any evidence of soil entering the structure through cracks or qualified inspection personnel determines that the vault is not structurally sound.	Vault is sealed and structurally sound.
Inlet/Outlet Pipes	Sediment accumulation	Sediment filling 20% or more of the pipe.	Inlet/outlet pipes clear of sediment.
	Trash and debris	Trash and debris accumulated in inlet/outlet pipes (includes floatables and non-floatables).	No trash or debris in pipes.
	Damaged inlet/outlet pipes	Cracks wider than ½-inch at the joint of the inlet/outlet pipes or any evidence of soil entering at the joints of the inlet/outlet pipes.	No cracks more than ¼-inch wide at the joint of the inlet/outlet pipe.
Access Manhole	Cover/lid not in place	Cover/lid is missing or only partially in place. <b>Any open manhole requires immediate maintenance.</b>	Manhole access covered.



<b>NO. 3 – DETENTION TANKS AND VAULTS</b>			
<b>MAINTENANCE COMPONENT</b>	<b>DEFECT OR PROBLEM</b>	<b>CONDITIONS WHEN MAINTENANCE IS NEEDED</b>	<b>RESULTS EXPECTED WHEN MAINTENANCE IS PERFORMED</b>
Access Manhole (cont.)	Locking mechanism not working	Mechanism cannot be opened by one maintenance person with proper tools. Bolts cannot be seated. Self-locking cover/lid does not work.	Mechanism opens with proper tools.
	Cover/lid difficult to remove	One maintenance person cannot remove cover/lid after applying 80 lbs of lift.	Cover/lid can be removed and reinstalled by one maintenance person.
	Ladder rungs unsafe	Missing rungs, misalignment, rust, or cracks.	Ladder meets design standards. Allows maintenance person safe access.
Large access doors/plate	Damaged or difficult to open	Large access doors or plates cannot be opened/removed using normal equipment.	Replace or repair access door so it can open as designed.
	Gaps, doesn't cover completely	Large access doors not flat and/or access opening not completely covered.	Doors close flat; covers access opening completely.
	Lifting rings missing, rusted	Lifting rings not capable of lifting weight of door or plate.	Lifting rings sufficient to lift or remove door or plate.

<b>NO. 4 – CONTROL STRUCTURE/FLOW RESTRICTOR</b>			
<b>MAINTENANCE COMPONENT</b>	<b>DEFECT OR PROBLEM</b>	<b>CONDITION WHEN MAINTENANCE IS NEEDED</b>	<b>RESULTS EXPECTED WHEN MAINTENANCE IS PERFORMED</b>
Structure	Trash and debris	Trash or debris of more than ½ cubic foot which is located immediately in front of the structure opening or is blocking capacity of the structure by more than 10%.	No Trash or debris blocking or potentially blocking entrance to structure.
		Trash or debris in the structure that exceeds ⅓ the depth from the bottom of basin to invert the lowest pipe into or out of the basin.	No trash or debris in the structure.
		Deposits of garbage exceeding 1 cubic foot in volume.	No condition present which would attract or support the breeding of insects or rodents.
	Sediment accumulation	Sediment exceeds 60% of the depth from the bottom of the structure to the invert of the lowest pipe into or out of the structure or the bottom of the FROP-T section or is within 6 inches of the invert of the lowest pipe into or out of the structure or the bottom of the FROP-T section.	Sump of structure contains no sediment.
	Damage to frame and/or top slab	Corner of frame extends more than ¾ inch past curb face into the street (If applicable).	Frame is even with curb.
		Top slab has holes larger than 2 square inches or cracks wider than ¼ inch.	Top slab is free of holes and cracks.
		Frame not sitting flush on top slab, i.e., separation of more than ¾ inch of the frame from the top slab.	Frame is sitting flush on top slab.
	Cracks in walls or bottom	Cracks wider than ½ inch and longer than 3 feet, any evidence of soil particles entering structure through cracks, or maintenance person judges that structure is unsound.	Structure is sealed and structurally sound.
		Cracks wider than ½ inch and longer than 1 foot at the joint of any inlet/outlet pipe or any evidence of soil particles entering structure through cracks.	No cracks more than ¼ inch wide at the joint of inlet/outlet pipe.
	Settlement/ misalignment	Structure has settled more than 1 inch or has rotated more than 2 inches out of alignment.	Basin replaced or repaired to design standards.
	Damaged pipe joints	Cracks wider than ½-inch at the joint of the inlet/outlet pipes or any evidence of soil entering the structure at the joint of the inlet/outlet pipes.	No cracks more than ¼-inch wide at the joint of inlet/outlet pipes.
	Contaminants and pollution	Any evidence of contaminants or pollution such as oil, gasoline, concrete slurries or paint.	Materials removed and disposed of according to applicable regulations. Source control BMPs implemented if appropriate. No contaminants present other than a surface oil film.
	Ladder rungs missing or unsafe	Ladder is unsafe due to missing rungs, misalignment, rust, cracks, or sharp edges.	Ladder meets design standards and allows maintenance person safe access.
	FROP-T Section	Damaged FROP-T	T section is not securely attached to structure wall and outlet pipe structure should support at least 1,000 lbs of up or down pressure.
Structure is not in upright position (allow up to 10% from plumb).			Structure in correct position.

NO. 4 – CONTROL STRUCTURE/FLOW RESTRICTOR			
MAINTENANCE COMPONENT	DEFECT OR PROBLEM	CONDITION WHEN MAINTENANCE IS NEEDED	RESULTS EXPECTED WHEN MAINTENANCE IS PERFORMED
FROP-T Section (cont.)	Damaged FROP-T (cont.)	Connections to outlet pipe are not watertight or show signs of deteriorated grout.	Connections to outlet pipe are water tight; structure repaired or replaced and works as designed.
		Any holes—other than designed holes—in the structure.	Structure has no holes other than designed holes.
Cleanout Gate	Damaged or missing cleanout gate	Cleanout gate is missing.	Replace cleanout gate.
		Cleanout gate is not watertight.	Gate is watertight and works as designed.
		Gate cannot be moved up and down by one maintenance person.	Gate moves up and down easily and is watertight.
		Chain/rod leading to gate is missing or damaged.	Chain is in place and works as designed.
Orifice Plate	Damaged or missing orifice plate	Control device is not working properly due to missing, out of place, or bent orifice plate.	Plate is in place and works as designed.
	Obstructions to orifice plate	Any trash, debris, sediment, or vegetation blocking the plate.	Plate is free of all obstructions and works as designed.
Overflow Pipe	Obstructions to overflow pipe	Any trash or debris blocking (or having the potential of blocking) the overflow pipe.	Pipe is free of all obstructions and works as designed.
	Deformed or damaged lip of overflow pipe	Lip of overflow pipe is bent or deformed.	Overflow pipe does not allow overflow at an elevation lower than design
Inlet/Outlet Pipe	Sediment accumulation	Sediment filling 20% or more of the pipe.	Inlet/outlet pipes clear of sediment.
	Trash and debris	Trash and debris accumulated in inlet/outlet pipes (includes floatables and non-floatables).	No trash or debris in pipes.
	Damaged inlet/outlet pipe	Cracks wider than ½-inch at the joint of the inlet/outlet pipes or any evidence of soil entering at the joints of the inlet/outlet pipes.	No cracks more than ¼-inch wide at the joint of the inlet/outlet pipe.
Metal Grates (If applicable)	Unsafe grate opening	Grate with opening wider than 7/8 inch.	Grate opening meets design standards.
	Trash and debris	Trash and debris that is blocking more than 20% of grate surface.	Grate free of trash and debris. footnote to guidelines for disposal
	Damaged or missing grate	Grate missing or broken member(s) of the grate.	Grate is in place and meets design standards.
Manhole Cover/Lid	Cover/lid not in place	Cover/lid is missing or only partially in place. <b>Any open structure requires urgent maintenance.</b>	Cover/lid protects opening to structure.
	Locking mechanism not working	Mechanism cannot be opened by one maintenance person with proper tools. Bolts cannot be seated. Self-locking cover/lid does not work.	Mechanism opens with proper tools.
	Cover/lid difficult to remove	One maintenance person cannot remove cover/lid after applying 80 lbs. of lift.	Cover/lid can be removed and reinstalled by one maintenance person.

<b>NO. 5 – CATCH BASINS AND MANHOLES</b>				
<b>MAINTENANCE COMPONENT</b>	<b>DEFECT OR PROBLEM</b>	<b>CONDITION WHEN MAINTENANCE IS NEEDED</b>	<b>RESULTS EXPECTED WHEN MAINTENANCE IS PERFORMED</b>	
Structure	Sediment accumulation	Sediment exceeds 60% of the depth from the bottom of the catch basin to the invert of the lowest pipe into or out of the catch basin or is within 6 inches of the invert of the lowest pipe into or out of the catch basin.	Sump of catch basin contains no sediment.	
	Trash and debris	Trash or debris of more than ½ cubic foot which is located immediately in front of the catch basin opening or is blocking capacity of the catch basin by more than 10%.	No Trash or debris blocking or potentially blocking entrance to catch basin.	
		Trash or debris in the catch basin that exceeds 1/3 the depth from the bottom of basin to invert the lowest pipe into or out of the basin.	No trash or debris in the catch basin.	
		Dead animals or vegetation that could generate odors that could cause complaints or dangerous gases (e.g., methane).	No dead animals or vegetation present within catch basin.	
		Deposits of garbage exceeding 1 cubic foot in volume.	No condition present which would attract or support the breeding of insects or rodents.	
	Damage to frame and/or top slab	Corner of frame extends more than ¾ inch past curb face into the street (if applicable).	Frame is even with curb.	
		Top slab has holes larger than 2 square inches or cracks wider than ¼ inch.	Top slab is free of holes and cracks.	
		Frame not sitting flush on top slab, i.e., separation of more than ¾ inch of the frame from the top slab.	Frame is sitting flush on top slab.	
	Cracks in walls or bottom	Cracks wider than ½ inch and longer than 3 feet, any evidence of soil particles entering catch basin through cracks, or maintenance person judges that catch basin is unsound.	Catch basin is sealed and is structurally sound.	
		Cracks wider than ½ inch and longer than 1 foot at the joint of any inlet/outlet pipe or any evidence of soil particles entering catch basin through cracks.	No cracks more than ¼ inch wide at the joint of inlet/outlet pipe.	
	Settlement/misalignment	Catch basin has settled more than 1 inch or has rotated more than 2 inches out of alignment.	Basin replaced or repaired to design standards.	
	Damaged pipe joints	Cracks wider than ½-inch at the joint of the inlet/outlet pipes or any evidence of soil entering the catch basin at the joint of the inlet/outlet pipes.	No cracks more than ¼-inch wide at the joint of inlet/outlet pipes.	
	Contaminants and pollution	Any evidence of contaminants or pollution such as oil, gasoline, concrete slurries or paint.	Materials removed and disposed of according to applicable regulations. Source control BMPs implemented if appropriate. No contaminants present other than a surface oil film.	
	Inlet/Outlet Pipe	Sediment accumulation	Sediment filling 20% or more of the pipe.	Inlet/outlet pipes clear of sediment.
		Trash and debris	Trash and debris accumulated in inlet/outlet pipes (includes floatables and non-floatables).	No trash or debris in pipes.

<b>NO. 5 – CATCH BASINS AND MANHOLES</b>			
<b>MAINTENANCE COMPONENT</b>	<b>DEFECT OR PROBLEM</b>	<b>CONDITION WHEN MAINTENANCE IS NEEDED</b>	<b>RESULTS EXPECTED WHEN MAINTENANCE IS PERFORMED</b>
Inlet/Outlet Pipe (cont.)	Damaged inlet/outlet pipe	Cracks wider than ½-inch at the joint of the inlet/outlet pipes or any evidence of soil entering at the joints of the inlet/outlet pipes.	No cracks more than ¼-inch wide at the joint of the inlet/outlet pipe.
Metal Grates (Catch Basins)	Unsafe grate opening	Grate with opening wider than 7/8 inch.	Grate opening meets design standards.
	Trash and debris	Trash and debris that is blocking more than 20% of grate surface.	Grate free of trash and debris. footnote to guidelines for disposal
	Damaged or missing grate	Grate missing or broken member(s) of the grate. <b>Any open structure requires urgent maintenance.</b>	Grate is in place and meets design standards.
Manhole Cover/Lid	Cover/lid not in place	Cover/lid is missing or only partially in place. <b>Any open structure requires urgent maintenance.</b>	Cover/lid protects opening to structure.
	Locking mechanism not working	Mechanism cannot be opened by one maintenance person with proper tools. Bolts cannot be seated. Self-locking cover/lid does not work.	Mechanism opens with proper tools.
	Cover/lid difficult to remove	One maintenance person cannot remove cover/lid after applying 80 lbs. of lift.	Cover/lid can be removed and reinstalled by one maintenance person.

<b>NO. 6 – CONVEYANCE PIPES AND DITCHES</b>			
<b>MAINTENANCE COMPONENT</b>	<b>DEFECT OR PROBLEM</b>	<b>CONDITIONS WHEN MAINTENANCE IS NEEDED</b>	<b>RESULTS EXPECTED WHEN MAINTENANCE IS PERFORMED</b>
Pipes	Sediment & debris accumulation	Accumulated sediment or debris that exceeds 20% of the diameter of the pipe.	Water flows freely through pipes.
	Vegetation/root growth in pipe	Vegetation/roots that reduce free movement of water through pipes.	Water flows freely through pipes.
	Contaminants and pollution	Any evidence of contaminants or pollution such as oil, gasoline, concrete slurries or paint.	Materials removed and disposed of according to applicable regulations. Source control BMPs implemented if appropriate. No contaminants present other than a surface oil film.
	Damage to protective coating or corrosion	Protective coating is damaged; rust or corrosion is weakening the structural integrity of any part of pipe.	Pipe repaired or replaced.
	Damaged pipes	Any dent that decreases the cross section area of pipe by more than 20% or is determined to have weakened structural integrity of the pipe.	Pipe repaired or replaced.
Ditches	Trash and debris	Trash and debris exceeds 1 cubic foot per 1,000 square feet of ditch and slopes.	Trash and debris cleared from ditches.
	Sediment accumulation	Accumulated sediment that exceeds 20% of the design depth.	Ditch cleaned/flushed of all sediment and debris so that it matches design.
	Noxious weeds	Any noxious or nuisance vegetation which may constitute a hazard to City personnel or the public.	Noxious and nuisance vegetation removed according to applicable regulations. No danger of noxious vegetation where City personnel or the public might normally be.
	Contaminants and pollution	Any evidence of contaminants or pollution such as oil, gasoline, concrete slurries or paint.	Materials removed and disposed of according to applicable regulations. Source control BMPs implemented if appropriate. No contaminants present other than a surface oil film.
	Excessive vegetation growth	Vegetation that reduces free movement of water through ditches.	Water flows freely through ditches.
	Erosion damage to slopes	Any erosion observed on a ditch slope.	Slopes are not eroding.
	Rock lining out of place or missing (If applicable)	One layer or less of rock exists above native soil area 5 square feet or more, any exposed native soil.	Replace rocks to design standards.

<b>NO. 7 – DEBRIS BARRIERS (E.G., TRASH RACKS)</b>			
<b>MAINTENANCE COMPONENT</b>	<b>DEFECT OR PROBLEM</b>	<b>CONDITION WHEN MAINTENANCE IS NEEDED</b>	<b>RESULTS EXPECTED WHEN MAINTENANCE IS PERFORMED.</b>
Site	Trash and debris	Trash or debris plugging more than 20% of the area of the barrier.	Barrier clear to receive capacity flow.
	Sediment accumulation	Sediment accumulation of greater than 20% of the area of the barrier	Barrier clear to receive capacity flow.
Structure	Cracked, broken, or loose pipe or structure	Structure which bars attached to is damaged – pipe is loose or cracked or concrete structure is cracked, broken, or loose.	Structure barrier attached to is sound.
Bars	Incorrect bar spacing	Bar spacing exceeds 6 inches.	Bars have at most 6 inches spacing.
	Damaged or missing bars	Bars are bent out of shape more than 3 inches.	Bars in place with no bends more than ¼ inch.
		Bars are missing or entire barrier missing.	Bars in place according to design.
		Bars are loose and rust is causing 50% deterioration to any part of barrier.	Repair or replace barrier to design standards.

<b>NO. 8 – ENERGY DISSIPATERS</b>			
<b>MAINTENANCE COMPONENT</b>	<b>DEFECT OR PROBLEM</b>	<b>CONDITIONS WHEN MAINTENANCE IS NEEDED</b>	<b>RESULTS EXPECTED WHEN MAINTENANCE IS PERFORMED.</b>
Site	Trash and debris	Trash and/or debris accumulation.	Dissipater clear of trash and/or debris.
	Contaminants and pollution	Any evidence of contaminants or pollution such as oil, gasoline, concrete slurries or paint.	Materials removed and disposed of according to applicable regulations. Source control BMPs implemented if appropriate. No contaminants present other than a surface oil film.
Rock Pad	Missing or moved rock	Only one layer of rock exists above native soil in area five square feet or larger or any exposure of native soil.	Rock pad prevents erosion.
Dispersion Trench	Pipe plugged with sediment	Accumulated sediment that exceeds 20% of the design depth.	Pipe cleaned/flushed so that it matches design.
	Not discharging water properly	Visual evidence of water discharging at concentrated points along trench (normal condition is a "sheet flow" of water along trench).	Water discharges from feature by sheet flow.
	Perforations plugged	Over 1/4 of perforations in pipe are plugged with debris or sediment.	Perforations freely discharge flow.
	Water flows out top of "distributor" catch basin.	Water flows out of distributor catch basin during any storm less than the design storm.	No flow discharges from distributor catch basin.
	Receiving area over-saturated	Water in receiving area is causing or has potential of causing landslide problems.	No danger of landslides.
Gabions	Damaged mesh	Mesh of gabion broken, twisted or deformed so structure is weakened or rock may fall out.	Mesh is intact, no rock missing.
	Corroded mesh	Gabion mesh shows corrosion through more than ¼ of its gage.	All gabion mesh capable of containing rock and retaining designed form.
	Collapsed or deformed baskets	Gabion basket shape deformed due to any cause.	All gabion baskets intact, structure stands as designed.
	Missing rock	Any rock missing that could cause gabion to loose structural integrity.	No rock missing.
Manhole/Chamber	Worn or damaged post, baffles or side of chamber	Structure dissipating flow deteriorates to ½ or original size or any concentrated worn spot exceeding one square foot which would make structure unsound.	Structure is in no danger of failing.
	Damage to wall, frame, bottom, and/or top slab	Cracks wider than ½-inch or any evidence of soil entering the structure through cracks, or maintenance inspection personnel determines that the structure is not structurally sound.	Manhole/chamber is sealed and structurally sound.
	Damaged pipe joints	Cracks wider than ½-inch at the joint of the inlet/outlet pipes or any evidence of soil entering the structure at the joint of the inlet/outlet pipes.	No soil or water enters and no water discharges at the joint of inlet/outlet pipes.



<b>NO. 9 – FENCING</b>			
<b>MAINTENANCE COMPONENT</b>	<b>DEFECT OR PROBLEM</b>	<b>CONDITIONS WHEN MAINTENANCE IS NEEDED</b>	<b>RESULTS EXPECTED WHEN MAINTENANCE IS PERFORMED</b>
Site	Erosion or holes under fence	Erosion or holes more than 4 inches high and 12-18 inches wide permitting access through an opening under a fence.	No access under the fence.
Wood Posts, Boards and Cross Members	Missing or damaged parts	Missing or broken boards, post out of plumb by more than 6 inches or cross members broken	No gaps on fence due to missing or broken boards, post plumb to within 1½ inches, cross members sound.
	Weakened by rotting or insects	Any part showing structural deterioration due to rotting or insect damage	All parts of fence are structurally sound.
	Damaged or failed post foundation	Concrete or metal attachments deteriorated or unable to support posts.	Post foundation capable of supporting posts even in strong wind.
Metal Posts, Rails and Fabric	Damaged parts	Post out of plumb more than 6 inches.	Post plumb to within 1½ inches.
		Top rails bent more than 6 inches.	Top rail free of bends greater than 1 inch.
		Any part of fence (including post, top rails, and fabric) more than 1 foot out of design alignment.	Fence is aligned and meets design standards.
		Missing or loose tension wire.	Tension wire in place and holding fabric.
	Deteriorated paint or protective coating	Part or parts that have a rusting or scaling condition that has affected structural adequacy.	Structurally adequate posts or parts with a uniform protective coating.
	Openings in fabric	Openings in fabric are such that an 8-inch diameter ball could fit through.	Fabric mesh openings within 50% of grid size.

<b>NO. 10 – GATES/BOLLARDS/ACCESS BARRIERS</b>			
<b>MAINTENANCE COMPONENT</b>	<b>DEFECT OR PROBLEM</b>	<b>CONDITIONS WHEN MAINTENANCE IS NEEDED</b>	<b>RESULTS EXPECTED WHEN MAINTENANCE IS PERFORMED</b>
Chain Link Fencing Gate	Damaged or missing members	Missing gate.	Gates in place.
		Broken or missing hinges such that gate cannot be easily opened and closed by a maintenance person.	Hinges intact and lubed. Gate is working freely.
		Gate is out of plumb more than 6 inches and more than 1 foot out of design alignment.	Gate is aligned and vertical.
		Missing stretcher bar, stretcher bands, and ties.	Stretcher bar, bands, and ties in place.
	Locking mechanism does not lock gate	Locking device missing, no-functioning or does not link to all parts.	Locking mechanism prevents opening of gate.
	Openings in fabric	Openings in fabric are such that an 8-inch diameter ball could fit through.	Fabric mesh openings within 50% of grid size.
Bar Gate	Damaged or missing cross bar	Cross bar does not swing open or closed, is missing or is bent to where it does not prevent vehicle access.	Cross bar swings fully open and closed and prevents vehicle access.
	Locking mechanism does not lock gate	Locking device missing, no-functioning or does not link to all parts.	Locking mechanism prevents opening of gate.
	Support post damaged	Support post does not hold cross bar up.	Cross bar held up preventing vehicle access into facility.
Bollards	Damaged or missing bollards	Bollard broken, missing, does not fit into support hole or hinge broken or missing.	No access for motorized vehicles to get into facility.
	Bollards do not lock	Locking assembly or lock missing or cannot be attached to lock bollard in place.	No access for motorized vehicles to get into facility.
Boulders	Dislodged boulders	Boulders not located to prevent motorized vehicle access.	No access for motorized vehicles to get into facility.
	Evidence of vehicles circumventing boulders	Motorized vehicles going around or between boulders.	No access for motorized vehicles to get into facility.

<b>NO. 11 – GROUNDS (LANDSCAPING)</b>			
<b>MAINTENANCE COMPONENT</b>	<b>DEFECT OR PROBLEM</b>	<b>CONDITIONS WHEN MAINTENANCE IS NEEDED</b>	<b>RESULTS EXPECTED WHEN MAINTENANCE IS PERFORMED</b>
Site	Trash and debris	Any trash and debris which exceed 1 cubic foot per 1,000 square feet (this is about equal to the amount of trash it would take to fill up one standard size office garbage can). In general, there should be no visual evidence of dumping.	Trash and debris cleared from site.
	Noxious weeds	Any noxious or nuisance vegetation which may constitute a hazard to City personnel or the public.	Noxious and nuisance vegetation removed according to applicable regulations. No danger of noxious vegetation where City personnel or the public might normally be.
	Contaminants and pollution	Any evidence of contaminants or pollution such as oil, gasoline, concrete slurries or paint.	Materials removed and disposed of according to applicable regulations. Source control BMPs implemented if appropriate. No contaminants present other than a surface oil film.
	Excessive growth of grass/groundcover	Grass or groundcover exceeds 18 inches in height.	Grass or groundcover mowed to a height no greater than 6 inches.
Trees and Shrubs	Hazard tree identified	Any tree or limb of a tree identified as having a potential to fall and cause property damage or threaten human life. <b>A hazard tree identified by a qualified arborist must be removed as soon as possible.</b>	No hazard trees in facility.
	Damaged tree or shrub identified	Limbs or parts of trees or shrubs that are split or broken which affect more than 25% of the total foliage of the tree or shrub.	Trees and shrubs with less than 5% of total foliage with split or broken limbs.
		Trees or shrubs that have been blown down or knocked over.	No blown down vegetation or knocked over vegetation. Trees or shrubs free of injury.
	Trees or shrubs which are not adequately supported or are leaning over, causing exposure of the roots.	Tree or shrub in place and adequately supported; dead or diseased trees removed.	

<b>NO. 12 – ACCESS ROADS</b>			
<b>MAINTENANCE COMPONENT</b>	<b>DEFECT OR PROBLEM</b>	<b>CONDITION WHEN MAINTENANCE IS NEEDED</b>	<b>RESULTS EXPECTED WHEN MAINTENANCE IS PERFORMED</b>
Site	Trash and debris	Trash and debris exceeds 1 cubic foot per 1,000 square feet (i.e., trash and debris would fill up one standards size garbage can).	Roadway drivable by maintenance vehicles.
		Debris which could damage vehicle tires or prohibit use of road.	Roadway drivable by maintenance vehicles.
	Contaminants and pollution	Any evidence of contaminants or pollution such as oil, gasoline, concrete slurries or paint.	Materials removed and disposed of according to applicable regulations. Source control BMPs implemented if appropriate. No contaminants present other than a surface oil film.
	Blocked roadway	Any obstruction which reduces clearance above road surface to less than 14 feet.	Roadway overhead clear to 14 feet high.
		Any obstruction restricting the access to a 10- to 12 foot width for a distance of more than 12 feet or any point restricting access to less than a 10 foot width.	At least 12-foot of width on access road.
Road Surface	Erosion, settlement, potholes, soft spots, ruts	Any surface defect which hinders or prevents maintenance access.	Road drivable by maintenance vehicles.
	Vegetation on road surface	Trees or other vegetation prevent access to facility by maintenance vehicles.	Maintenance vehicles can access facility.
Shoulders and Ditches	Erosion	Erosion within 1 foot of the roadway more than 8 inches wide and 6 inches deep.	Shoulder free of erosion and matching the surrounding road.
	Weeds and brush	Weeds and brush exceed 18 inches in height or hinder maintenance access.	Weeds and brush cut to 2 inches in height or cleared in such a way as to allow maintenance access.
Modular Grid Pavement	Contaminants and pollution	Any evidence of contaminants or pollution such as oil, gasoline, concrete slurries or paint.	Materials removed and disposed of according to applicable regulations. Source control BMPs implemented if appropriate. No contaminants present other than a surface oil film.
	Damaged or missing blocks/grids	Access surface compacted because of broken or missing modular block.	Access road surface restored so road infiltrates.

<b>NO. 13 – BASIC BIOSWALE (GRASS)</b>			
<b>MAINTENANCE COMPONENT</b>	<b>DEFECT OR PROBLEM</b>	<b>CONDITION WHEN MAINTENANCE IS NEEDED</b>	<b>RESULTS EXPECTED WHEN MAINTENANCE IS PERFORMED</b>
Site	Trash and debris	Any trash and/or debris accumulated on the bioswale site.	No trash or debris on the bioswale site.
	Contaminants and pollution	Any evidence of contaminants or pollution such as oil, gasoline, concrete slurries or paint.	Materials removed and disposed of according to applicable regulations. Source control BMPs implemented if appropriate. No contaminants present other than a surface oil film.
Swale Section	Sediment accumulation	Sediment depth exceeds 2 inches in 10% of the swale treatment area.	No sediment deposits in grass treatment area of the bioswale.
		Sediment inhibits grass growth over 10% of swale length.	Grass growth not inhibited by sediment.
		Sediment inhibits even spreading of flow.	Flow spreads evenly through swale
	Erosion/scouring	Eroded or scoured swale bottom due to channelization or high flows.	No eroded or scoured areas in bioswale. Cause of erosion or scour addressed.
	Poor vegetation coverage	Grass is sparse or bare or eroded patches occur in more than 10% of the swale bottom.	Swale has no bare spots and grass is thick and healthy.
	Excessive vegetation growth	Grass excessively tall (greater than 10 inches), grass is thin or nuisance weeds and other vegetation have taken over.	Grass is between 3 and 4 inches tall, thick and healthy. No nuisance vegetation present.
	Excessive shade	Grass growth is poor because sunlight does not reach swale.	Healthy grass growth or swale converted to a wet bioswale.
	Constant baseflow	Continuous flow through the swale, even when it has been dry for weeks or an eroded, muddy channel has formed in the swale bottom.	Baseflow removed from swale by a low-flow pea-gravel drain or bypassed around the swale.
	Standing water	Water pools in the swale between storms or does not drain freely.	Swale freely drains and there is no standing water in swale between storms.
	Channelization	Flow concentrates and erodes channel through swale.	No flow channels in swale.
Flow Spreader	Concentrated flow	Flow from spreader not uniformly distributed across entire swale width.	Flows are spread evenly over entire swale width.
Inlet/Outlet Pipe	Sediment accumulation	Sediment filling 20% or more of the pipe.	Inlet/outlet pipes clear of sediment.
	Trash and debris	Trash and debris accumulated in inlet/outlet pipes (includes floatables and non-floatables).	No trash or debris in pipes.
	Damaged inlet/outlet pipe	Cracks wider than ½-inch at the joint of the inlet/outlet pipes or any evidence of soil entering at the joints of the inlet/outlet pipes.	No cracks more than ¼-inch wide at the joint of the inlet/outlet pipe.

<b>NO. 14 – WET BIOSWALE</b>			
<b>MAINTENANCE COMPONENT</b>	<b>DEFECT OR PROBLEM</b>	<b>CONDITION WHEN MAINTENANCE IS NEEDED</b>	<b>RESULTS EXPECTED WHEN MAINTENANCE IS PERFORMED</b>
Site	Trash and debris	Any trash and/or debris accumulated at the site.	No trash or debris at the site.
	Contaminants and pollution	Any evidence of contaminants or pollution such as oil, gasoline, concrete slurries or paint.	Materials removed and disposed of according to applicable regulations. Source control BMPs implemented if appropriate. No contaminants present other than a surface oil film.
Swale Section	Sediment accumulation	Sediment depth exceeds 2 inches in 10% of the swale treatment area.	No sediment deposits in treatment area.
	Erosion/scouring	Eroded or scoured swale bottom due to channelization or high flows.	No eroded or scoured areas in bioswale. Cause of erosion or scour addressed.
	Water not retained in swale during wet season	Water not retained to a depth of about 4 inches during the wet season.	Water depth of 4 inches throughout swale for most of wet season.
	Poor vegetation coverage and/or nuisance vegetation present	Vegetation sparse, does not provide adequate filtration or crowded out by very dense clumps of cattail or nuisance vegetation.	Wetland vegetation fully covers bottom of swale and no cattails or nuisance vegetation present.
	Insufficient water to maintain vegetation growth	Wetland vegetation dies due to lack of water.	Wetland vegetation remains healthy (may require converting to grass lined bioswale)
Flow Spreader	Concentrated flow	Flow from spreader not uniformly distributed across entire swale width.	Flows are spread evenly over entire swale width.
Inlet/Outlet Pipe	Sediment accumulation	Sediment filling 20% or more of the pipe.	Inlet/outlet pipes clear of sediment.
	Trash and debris	Trash and debris accumulated in inlet/outlet pipes (includes floatables and non-floatables).	No trash or debris in pipes.
	Damaged inlet/outlet pipe	Cracks wider than ½-inch at the joint of the inlet/outlet pipes or any evidence of soil entering at the joints of the inlet/outlet pipes.	No cracks more than ¼-inch wide at the joint of the inlet/outlet pipe.

<b>NO. 15 – FILTER STRIP</b>			
<b>MAINTENANCE COMPONENT</b>	<b>DEFECT OR PROBLEM</b>	<b>CONDITION WHEN MAINTENANCE IS NEEDED</b>	<b>RESULTS EXPECTED WHEN MAINTENANCE IS PERFORMED</b>
Site	Trash and debris	Any trash and debris accumulated on the filter strip site.	Filter strip site free of any trash or debris
	Contaminants and pollution	Any evidence of contaminants or pollution such as oil, gasoline, concrete slurries or paint.	Materials removed and disposed of according to applicable regulations. Source control BMPs implemented if appropriate. No contaminants present other than a surface oil film.
Grass Strip	Sediment accumulation	Sediment accumulation on grass exceeds 2 inches depth.	No sediment deposits in treatment area.
	Erosion/scouring	Eroded or scoured swale bottom due to channelization or high flows.	No eroded or scoured areas in bioswale. Cause of erosion or scour addressed.
	Excessive vegetation growth	Grass excessively tall (greater than 10 inches), grass is thin or nuisance weeds and other vegetation have taken over.	Grass is between 3 and 4 inches tall, thick and healthy. No nuisance vegetation present.
	Poor vegetation coverage and/or nuisance vegetation present	Grass has died out, become excessively tall (greater than 10 inches) or nuisance vegetation is taking over.	Grass is healthy, less than 9 inches high and no nuisance vegetation present.
Flow Spreader	Concentrated flow	Flow from spreader not uniformly distributed across entire swale width.	Flows are spread evenly over entire swale width.
Inlet/Outlet Pipe	Sediment accumulation	Sediment filling 20% or more of the pipe.	Inlet/outlet pipes clear of sediment.
	Trash and debris	Trash and debris accumulated in inlet/outlet pipes (includes floatables and non-floatables).	No trash or debris in pipes.
	Damaged inlet/outlet pipe	Cracks wider than ½-inch at the joint of the inlet/outlet pipes or any evidence of soil entering at the joints of the inlet/outlet pipes.	No cracks more than ¼-inch wide at the joint of the inlet/outlet pipe.

<b>NO. 16 – WETPOND</b>			
<b>MAINTENANCE COMPONENT</b>	<b>DEFECT OR PROBLEM</b>	<b>CONDITION WHEN MAINTENANCE IS NEEDED</b>	<b>RESULTS EXPECTED WHEN MAINTENANCE IS PERFORMED</b>
Site	Trash and debris	Any trash and debris accumulated on the wetpond site.	Wetpond site free of any trash or debris.
	Noxious weeds	Any noxious or nuisance vegetation which may constitute a hazard to City personnel or the public.	Noxious and nuisance vegetation removed according to applicable regulations. No danger of noxious vegetation where City personnel or the public might normally be.
	Contaminants and pollution	Any evidence of contaminants or pollution such as oil, gasoline, concrete slurries or paint.	Materials removed and disposed of according to applicable regulations. Source control BMPs implemented if appropriate. No contaminants present other than a surface oil film.
	Excessive growth of grass/groundcover	Grass or groundcover exceeds 18 inches in height.	Grass or groundcover mowed to a height no greater than 6 inches.
Side Slopes of Dam, Berm, internal berm or Embankment	Rodent holes	Any evidence of rodent holes if facility is acting as a dam or berm, or any evidence of water piping through dam or berm via rodent holes.	Rodents removed or destroyed and dam or berm repaired.
	Tree growth	Tree growth threatens integrity of dams, berms or slopes, does not allow maintenance access, or interferes with maintenance activity. If trees are not a threat to dam, berm or embankment integrity, are not interfering with access or maintenance or leaves do not cause a plugging problem they do not need to be removed.	Trees do not hinder facility performance or maintenance activities.
	Erosion	Eroded damage over 2 inches deep where cause of damage is still present or where there is potential for continued erosion. Any erosion observed on a compacted slope.	Slopes stabilized using appropriate erosion control measures. If erosion is occurring on compacted slope, a licensed civil engineer should be consulted to resolve source of erosion.
Top or Side Slopes of Dam, Berm, internal berm or Embankment	Settlement	Any part of a dam, berm or embankment that has settled 4 inches lower than the design elevation.	Top or side slope restored to design dimensions. If settlement is significant, a licensed civil engineer should be consulted to determine the cause of the settlement.
	Irregular surface on internal berm	Top of berm not uniform and level.	Top of berm graded to design elevation.
Pond Areas	Sediment accumulation (except first wetpool cell)	Accumulated sediment that exceeds 10% of the designed pond depth.	Sediment cleaned out to designed pond shape and depth.
	Sediment accumulation (first wetpool cell)	Sediment accumulations in pond bottom that exceeds the depth of sediment storage (1 foot) plus 6 inches.	Sediment storage contains no sediment.
	Liner damaged (If applicable)	Liner is visible or pond does not hold water as designed.	Liner repaired or replaced.
	Low water level (all wetpool cells)	Cell level(s) drops more than 12 inches in any 7-day period.	Cell level(s) drops less than 12 inches in any 7-day period.
	Algae mats (first wetpool cell)	Algae mats develop over more than 10% of the water surface should be removed.	Algae mats removed (usually in the late summer before Fall rains, especially in Sensitive Lake Protection Areas.)



<b>NO. 16 – WETPOND</b>			
<b>MAINTENANCE COMPONENT</b>	<b>DEFECT OR PROBLEM</b>	<b>CONDITION WHEN MAINTENANCE IS NEEDED</b>	<b>RESULTS EXPECTED WHEN MAINTENANCE IS PERFORMED</b>
Pond Areas (cont.)	Sparse or dying design planting and poor vegetation survival	Sparse or dying design planting, or when design plantings are not thriving across 80% or more of the design vegetated areas within the pond; invasive vegetation (e.g., cattails)	Design plantings and vegetation are thriving and appropriately spaced across 80% or more of the design vegetated areas within the pond; invasives removed including root clumps
Gravity Drain	Inoperable valve	Valve will not open and close.	Valve opens and closes normally.
	Valve won't seal	Valve does not seal completely.	Valve completely seals closed.
Emergency Overflow Spillway	Tree growth	Tree growth impedes flow or threatens stability of spillway.	Trees removed.
	Rock missing	Only one layer of rock exists above native soil in area five square feet or larger, or any exposure of native soil at the top of out flow path of spillway. Rip-rap on inside slopes need not be replaced.	Spillway restored to design standards.
Inlet/Outlet Pipe	Sediment accumulation	Sediment filling 20% or more of the pipe.	Inlet/outlet pipes clear of sediment.
	Trash and debris	Trash and debris accumulated in inlet/outlet pipes (includes floatables and non-floatables).	No trash or debris in pipes.
	Damaged inlet/outlet pipe	Cracks wider than ½-inch at the joint of the inlet/outlet pipes or any evidence of soil entering at the joints of the inlet/outlet pipes.	No cracks more than ¼-inch wide at the joint of the inlet/outlet pipe.

<b>NO. 17 – WETVAULT</b>			
<b>MAINTENANCE COMPONENT</b>	<b>DEFECT OR PROBLEM</b>	<b>CONDITION WHEN MAINTENANCE IS NEEDED</b>	<b>RESULTS EXPECTED WHEN MAINTENANCE IS PERFORMED</b>
Site	Trash and debris	Trash and debris accumulated on facility site.	Trash and debris removed from facility site.
Treatment Area	Trash and debris	Any trash and debris accumulated in vault (includes floatables and non-floatables).	No trash or debris in vault.
	Sediment accumulation	Sediment accumulation in vault bottom exceeds the depth of the sediment zone plus 6 inches.	No sediment in vault.
	Contaminants and pollution	Any evidence of contaminants or pollution such as oil, gasoline, concrete slurries or paint.	Materials removed and disposed of according to applicable regulations. Source control BMPs implemented if appropriate. No contaminants present other than a surface oil film.
Vault Structure	Damage to wall, frame, bottom, and/or top slab	Cracks wider than ½-inch, any evidence of soil entering the structure through cracks, vault does not retain water or qualified inspection personnel determines that the vault is not structurally sound.	Vault is sealed and structurally sound.
	Baffles damaged	Baffles corroding, cracking, warping and/or showing signs of failure or baffle cannot be removed.	Repair or replace baffles or walls to specifications.
	Ventilation area blocked/plugged	Ventilation area blocked or plugged.	No reduction of ventilation area exists.
Inlet/Outlet Pipe	Sediment accumulation	Sediment filling 20% or more of the pipe.	Inlet/outlet pipes clear of sediment.
	Trash and debris	Trash and debris accumulated in inlet/outlet pipes (includes floatables and non-floatables).	No trash or debris in pipes.
	Damaged inlet/outlet pipe	Cracks wider than ½-inch at the joint of the inlet/outlet pipes or any evidence of soil entering at the joints of the inlet/outlet pipes.	No cracks more than ¼-inch wide at the joint of the inlet/outlet pipe.
Gravity Drain	Inoperable valve	Valve will not open and close.	Valve opens and closes normally.
	Valve won't seal	Valve does not seal completely.	Valve completely seals closed.
Access Manhole	Access cover/lid damaged or difficult to open	Access cover/lid cannot be easily opened by one person. Corrosion/deformation of cover/lid.	Access cover/lid can be opened by one person.
	Locking mechanism not working	Mechanism cannot be opened by one maintenance person with proper tools. Bolts cannot be seated. Self-locking cover/lid does not work.	Mechanism opens with proper tools.
	Cover/lid difficult to remove	One maintenance person cannot remove cover/lid after applying 80 lbs of lift.	Cover/lid can be removed and reinstalled by one maintenance person.
	Access doors/plate has gaps, doesn't cover completely	Large access doors not flat and/or access opening not completely covered.	Doors close flat; covers access opening completely.
	Lifting rings missing, rusted	Lifting rings not capable of lifting weight of door or plate.	Lifting rings sufficient to lift or remove door or plate.
	Ladder rungs unsafe	Missing rungs, misalignment, rust, or cracks.	Ladder meets design standards. Allows maintenance person safe access.

<b>NO. 18 – STORMWATER WETLAND</b>			
<b>MAINTENANCE COMPONENT</b>	<b>DEFECT OR PROBLEM</b>	<b>CONDITION WHEN MAINTENANCE IS NEEDED</b>	<b>RESULTS EXPECTED WHEN MAINTENANCE IS PERFORMED</b>
Site	Trash and debris	Trash and debris accumulated on facility site.	Trash and debris removed from facility site.
	Noxious weeds	Any noxious or nuisance vegetation which may constitute a hazard to City personnel or the public.	Noxious and nuisance vegetation removed according to applicable regulations. No danger of noxious vegetation where City personnel or the public might normally be.
	Contaminants and pollution	Any evidence of contaminants or pollution such as oil, gasoline, concrete slurries or paint.	Materials removed and disposed of according to applicable regulations. Source control BMPs implemented if appropriate. No contaminants present other than a surface oil film.
	Excessive growth or grass/groundcover	Grass or groundcover exceeds 18 inches in height.	Grass or groundcover mowed to a height no greater than 6 inches.
Side Slopes of Dam, Berm, Internal Berm or Embankment	Rodent holes	Any evidence of rodent holes if facility is acting as a dam or berm, or any evidence of water piping through dam or berm via rodent holes.	Rodents removed or destroyed and dam or berm repaired.
	Tree growth	Tree growth threatens integrity of dams, berms or slopes, does not allow maintenance access, or interferes with maintenance activity. If trees are not a threat to dam, berm, or embankment integrity or not interfering with access or maintenance, they do not need to be removed.	Trees do not hinder facility performance or maintenance activities.
	Erosion	Eroded damage over 2 inches deep where cause of damage is still present or where there is potential for continued erosion. Any erosion observed on a compacted slope.	Slopes stabilized using appropriate erosion control measures. If erosion is occurring on compacted slope, a licensed civil engineer should be consulted to resolve source of erosion.
Top or Side Slopes of Dam, Berm, Internal Berm or Embankment	Settlement	Any part of a dam, berm or embankment that has settled 4 inches lower than the design elevation.	Top or side slope restored to design dimensions. If settlement is significant, a licensed civil engineer should be consulted to determine the cause of the settlement.
	Irregular surface on internal berm	Top of berm not uniform and level.	Top of berm graded flat to design elevation.
Pond Areas	Sediment accumulation (first cell/forebay)	Sediment accumulations in pond bottom that exceeds the depth of sediment storage (1 foot) plus 6 inches.	Sediment storage contains no sediment.
	Sediment accumulation (wetland cell)	Accumulated sediment that exceeds 10% of the designed pond depth.	Sediment cleaned out to designed pond shape and depth.
	Liner damaged (If applicable)	Liner is visible or pond does not hold water as designed.	Liner repaired or replaced.
	Low water level (first cell/forebay)	Cell level drops more than 12 inches in any 7-day period.	Cell level drops no more than 12 inches in any 7-day period.
	Low water level (wetland cell)	Cell does not retain water for at least 10 months of the year or wetland plants are not surviving.	Water retained at least 10 months of the year or wetland plants are surviving.

<b>NO. 18 – STORMWATER WETLAND</b>			
<b>MAINTENANCE COMPONENT</b>	<b>DEFECT OR PROBLEM</b>	<b>CONDITION WHEN MAINTENANCE IS NEEDED</b>	<b>RESULTS EXPECTED WHEN MAINTENANCE IS PERFORMED</b>
Pond Areas (cont.)	Algae mats (first cell/forebay)	Algae mats develop over more than 10% of the water surface should be removed.	Algae mats removed (usually in the late summer before Fall rains, especially in Sensitive Lake Protection Areas.)
	Vegetation	Vegetation dead, dying, or overgrown (cattails) or not meeting original planting specifications across more than 20% of the entire design vegetated area within the pond.	Plants in wetland cell surviving across 80% or more of the entire design vegetated area within the pond and not interfering with wetland function.
Gravity Drain	Inoperable valve	Valve will not open and close.	Valve opens and closes normally.
	Valve won't seal	Valve does not seal completely.	Valve completely seals closed.
Emergency Overflow Spillway	Tree growth	Tree growth impedes flow or threatens stability of spillway.	Trees removed.
	Rock missing	Only one layer of rock exists above native soil in area five square feet or larger, or any exposure of native soil at the top of outflow path of spillway. Rip-rap on inside slopes need not be replaced.	Spillway restored to design standards.
Inlet/Outlet Pipe	Sediment accumulation	Sediment filling 20% or more of the pipe.	Inlet/outlet pipes clear of sediment.
	Trash and debris	Trash and debris accumulated in inlet/outlet pipes (includes floatables and non-floatables).	No trash or debris in pipes.
	Damaged inlet/outlet pipe	Cracks wider than ½-inch at the joint of the inlet/outlet pipes or any evidence of soil entering at the joints of the inlet/outlet pipes.	No cracks more than ¼-inch wide at the joint of the inlet/outlet pipe.

<b>NO. 19 – SAND FILTER POND</b>			
<b>MAINTENANCE COMPONENT</b>	<b>DEFECT OR PROBLEM</b>	<b>CONDITION WHEN MAINTENANCE IS NEEDED</b>	<b>RESULTS EXPECTED WHEN MAINTENANCE IS PERFORMED</b>
Site	Trash and debris	Trash and debris accumulated on facility site.	Trash and debris removed from facility site.
	Noxious weeds	Any noxious or nuisance vegetation which may constitute a hazard to City personnel or the public.	Noxious and nuisance vegetation removed according to applicable regulations. No danger of noxious vegetation where City personnel or the public might normally be.
	Contaminants and pollution	Any evidence of contaminants or pollution such as oil, gasoline, concrete slurries or paint.	Materials removed and disposed of according to applicable regulations. Source control BMPs implemented if appropriate. No contaminants present other than a surface oil film.
	Excessive growth of grass/groundcover (not in the treatment area)	Grass or groundcover exceeds 18 inches in height.	Grass or groundcover mowed to a height no greater than 6 inches.
Pre-Treatment (if applicable)	Sediment accumulation	Sediment accumulations in pond bottom that exceeds the depth of sediment storage (1 foot) plus 6 inches.	Sediment storage contains no sediment.
	Liner damaged (If applicable)	Liner is visible or pond does not hold water as designed.	Liner repaired or replaced.
	Low water level	Cell empty, doesn't hold water.	Water retained in first cell for most of the year.
	Algae mats	Algae mats develop over more than 10% of the water surface should be removed.	Algae mats removed (usually in the late summer before Fall rains, especially in Sensitive Lake Protection Areas.)
Pond Area	Sediment accumulation	Sediment or crust depth exceeds ½-inch over 10 % of surface area of sand filter.	No sediment or crust deposit on sand filter that would impede permeability of the filter section.
	Excessive grass growth (if applicable)	Grass becomes excessively tall (greater than 6 inches) or when nuisance weeds and other vegetation start to take over or thatch build up occurs.	Mow vegetation and/or remove nuisance vegetation.
Side Slopes of Pond	Rodent holes	Any evidence of rodent holes if facility is acting as a dam or berm, or any evidence of water piping through dam or berm via rodent holes.	Rodents removed or destroyed and dam or berm repaired.
	Tree growth	Tree growth threatens integrity of dams, berms or slopes, does not allow maintenance access, or interferes with maintenance activity. If trees are not a threat to dam, berm, or embankment integrity or not interfering with access or maintenance, they do not need to be removed.	Trees do not hinder facility performance or maintenance activities.
	Erosion	Eroded damage over 2 inches deep where cause of damage is still present or where there is potential for continued erosion. Any erosion observed on a compacted slope.	Slopes stabilized using appropriate erosion control measures. If erosion is occurring on compacted slope, a licensed civil engineer should be consulted to resolve source of erosion.

<b>NO. 19 – SAND FILTER POND</b>			
<b>MAINTENANCE COMPONENT</b>	<b>DEFECT OR PROBLEM</b>	<b>CONDITION WHEN MAINTENANCE IS NEEDED</b>	<b>RESULTS EXPECTED WHEN MAINTENANCE IS PERFORMED</b>
Sand Filter Media	Plugged media	Drawdown of water through the sand filter media, takes longer than 24 hours, and/or flow through the overflow pipes occurs frequently. A sieve analysis of >4% -100 or >2% -200 requires replacing sand filter media.	Sand filter media surface is aerated or the surface is scraped and replaced, and drawdown rate is normal.
	Prolonged flows	Sand is saturated for prolonged periods of time (several weeks) and does not dry out between storms due to continuous base flow or prolonged flows from detention facilities.	Excess flows bypassed or confined to small portion of filter media surface.
	Short circuiting	Flows become concentrated over one section of the sand filter rather than dispersed or drawdown rate of pool exceeds 12 inches per hour.	Flow and percolation of water through the sand filter is uniform and dispersed across the entire filter area and drawdown rate is normal.
	Insufficient media thickness	Sand thickness is less than 18 inches.	Rebuild sand thickness to a minimum of 18 inches.
Underdrains and Clean-Outs	Sediment and debris	Underdrains or clean-outs partially plugged or filled with sediment and/or debris. Junction box/cleanout wyes not watertight.	Underdrains and clean-outs free of sediment and debris and are watertight.
Inlet/Outlet Pipe	Sediment accumulation	Sediment filling 20% or more of the pipe.	Inlet/outlet pipes clear of sediment.
	Trash and debris	Trash and debris accumulated in inlet/outlet pipes (includes floatables and non-floatables).	No trash or debris in pipes.
	Damaged inlet/outlet pipe	Cracks wider than ½-inch at the joint of the inlet/outlet pipes or any evidence of soil entering at the joints of the inlet/outlet pipes.	No cracks more than ¼-inch wide at the joint of the inlet/outlet pipe.
Rock Pad	Missing rock or out of place	Only one layer of rock exists above native soil in area five square feet or larger, or any exposure of native soil.	Rock pad restored to design standards.
Flow Spreader	Concentrated flow	Flow from spreader not uniformly distributed across sand filter.	Flows spread evenly over sand filter.

<b>NO. 20 – SAND FILTER VAULT</b>			
<b>MAINTENANCE COMPONENT</b>	<b>DEFECT OR PROBLEM</b>	<b>CONDITION WHEN MAINTENANCE IS NEEDED</b>	<b>RESULTS EXPECTED WHEN MAINTENANCE IS PERFORMED</b>
Site	Trash and debris	Trash and debris accumulated on facility site.	Trash and debris removed from facility site.
	Noxious weeds	Any noxious or nuisance vegetation which may constitute a hazard to City personnel or the public.	Noxious and nuisance vegetation removed according to applicable regulations. No danger of noxious vegetation where City personnel or the public might normally be.
	Contaminants and pollution	Any evidence of contaminants or pollution such as oil, gasoline, concrete slurries or paint.	Materials removed and disposed of according to applicable regulations. Source control BMPs implemented if appropriate. No contaminants present other than a surface oil film.
	Excessive growth of grass/groundcover	Grass or groundcover exceeds 18 inches in height.	Grass or groundcover mowed to a height no greater than 6 inches.
Pre-Treatment Chamber	Sediment accumulation	Sediment accumulation exceeds the depth of the sediment zone plus 6 inches.	Sediment storage contains no sediment.
Sand Filter Media	Sediment accumulation	Sediment depth exceeds ½-inch on sand filter media.	Sand filter freely drains at normal rate.
	Trash and debris	Trash and debris accumulated in vault (floatables and non-floatables).	No trash or debris in vault.
	Plugged media	Drawdown of water through the sand filter media, takes longer than 24 hours, and/or flow through the overflow pipes occurs frequently. A sieve analysis of >4% -100 or >2% -200 requires replacing sand filter media.	Sand filter media drawdown rate is normal.
	Short circuiting	Seepage or flow occurs along the vault walls and corners. Sand eroding near inflow area. Cleanout wyes are not watertight.	Sand filter media section re-laid and compacted along perimeter of vault to form a semi-seal. Erosion protection added to dissipate force of incoming flow and curtail erosion.
Vault Structure	Damaged to walls, frame, bottom and/or top slab.	Cracks wider than ½-inch, any evidence of soil entering the structure through cracks or qualified inspection personnel determines that the vault is not structurally sound.	Vault replaced or repaired to provide complete sealing of the structure.
	Ventilation area blocked/plugged	Ventilation area blocked or plugged.	No reduction of ventilation area exists.
Underdrains and Cleanouts	Sediment and debris	Underdrains or clean-outs partially plugged, filled with sediment and/or debris or not watertight.	Underdrains and clean-outs free of sediment and debris and sealed.
Inlet/Outlet Pipe	Sediment accumulation	Sediment filling 20% or more of the pipe.	Inlet/outlet pipes clear of sediment.
	Trash and debris	Trash and debris accumulated in inlet/outlet pipes (includes floatables and non-floatables).	No trash or debris in pipes.
	Damaged inlet/outlet pipe	Cracks wider than ½-inch at the joint of the inlet/outlet pipes or any evidence of soil entering at the joints of the inlet/outlet pipes.	No cracks more than ¼-inch wide at the joint of the inlet/outlet pipe.

<b>NO. 20 – SAND FILTER VAULT</b>			
<b>MAINTENANCE COMPONENT</b>	<b>DEFECT OR PROBLEM</b>	<b>CONDITION WHEN MAINTENANCE IS NEEDED</b>	<b>RESULTS EXPECTED WHEN MAINTENANCE IS PERFORMED</b>
Access Manhole	Cover/lid not in place	Cover/lid is missing or only partially in place. Any open manhole requires immediate maintenance.	Manhole access covered.
	Locking mechanism not working	Mechanism cannot be opened by one maintenance person with proper tools. Bolts cannot be seated. Self-locking cover/lid does not work.	Mechanism opens with proper tools.
	Cover/lid difficult to remove	One maintenance person cannot remove cover/lid after applying 80 lbs of lift.	Cover/lid can be removed and reinstalled by one maintenance person.
	Ladder rungs unsafe	Missing rungs, misalignment, rust, or cracks.	Ladder meets design standards. Allows maintenance person safe access.
Large Access Doors/Plate	Damaged or difficult to open access doors/plate	Large access doors or plates cannot be opened/removed using normal equipment.	Replace or repair access door so it can be opened as designed.
	Gaps, doesn't cover completely	Large access doors not flat and/or access opening not completely covered.	Doors close flat; covers access opening completely.
	Lifting rings missing, rusted	Lifting rings not capable of lifting weight of door or plate.	Lifting rings sufficient to lift or remove door or plate.



<b>NO. 21 – PROPRIETARY FACILITY CARTRIDGE FILTER SYSTEMS</b>			
<b>MAINTENANCE COMPONENT</b>	<b>DEFECT OR PROBLEM</b>	<b>CONDITION WHEN MAINTENANCE IS NEEDED</b>	<b>RESULTS EXPECTED WHEN MAINTENANCE IS PERFORMED</b>
In addition to the specific maintenance criteria provided below, all manufacturers' requirements shall be followed.			
Facility	Documentation	Update facility inspection record after each inspection.	Maintenance records are up to date.
		Provide certification of replaced filter media.	Filter media is certified to meet manufacturer specifications.
Site	Trash and debris	Any trash or debris which impairs the function of the facility.	Trash and debris removed from facility.
	Contaminants and pollution	Any evidence of contaminants or pollution such as oils, gasoline, concrete slurries or paint.	Materials removed and disposed of according to applicable regulations. Source control BMPs implemented if appropriate. No contaminants present other than a surface oil film.
	Life cycle	Once per year.	Facility is re-inspected and any needed maintenance performed.
Vault Treatment Area	Sediment on vault floor	Varies – Refer to manufacturer's requirements.	Vault is free of sediment.
	Sediment on top of cartridges	Varies – Refer to manufacturer's requirements.	Vault is free of sediment.
	Multiple scum lines above top of cartridges	Thick or multiple scum lines above top of cartridges. Probably due to plugged canisters or underdrain manifold.	Cause of plugging corrected, canisters replaced if necessary.
Vault Structure	Damage to wall, frame, bottom, and/or top slab	Cracks wider than ½-inch and any evidence of soil particles entering the structure through the cracks, or qualified inspection personnel determines the vault is not structurally sound.	Vault replaced or repaired to design specifications.
	Baffles damaged	Baffles corroding, cracking warping, and/or showing signs of failure as determined by maintenance/inspection person.	Repair or replace baffles to specification.
Filter Media	Standing water in vault	Varies – Refer to manufacturer's requirements.	No standing water in vault 24 hours after a rain event.
	Short circuiting	Flows do not properly enter filter cartridges.	Flows go through filter media.
Underdrains and Clean-Outs	Sediment and debris	Underdrains or clean-outs partially plugged or filled with sediment and/or debris.	Underdrains and clean-outs free of sediment and debris.
Inlet/Outlet Pipe	Sediment accumulation	Sediment filling 20% or more of the pipe.	Inlet/outlet pipes clear of sediment.
	Trash and debris	Trash and debris accumulated in inlet/outlet pipes (includes floatables and non-floatables).	No trash or debris in pipes.
	Damaged inlet/outlet pipe	Cracks wider than ½-inch at the joint of the inlet/outlet pipes or any evidence of soil entering at the joints of the inlet/outlet pipes.	No cracks more than ¼-inch wide at the joint of the inlet/outlet pipe.

<b>NO. 21 – PROPRIETARY FACILITY CARTRIDGE FILTER SYSTEMS</b>			
<b>MAINTENANCE COMPONENT</b>	<b>DEFECT OR PROBLEM</b>	<b>CONDITION WHEN MAINTENANCE IS NEEDED</b>	<b>RESULTS EXPECTED WHEN MAINTENANCE IS PERFORMED</b>
Access Manhole	Cover/lid not in place	Cover/lid is missing or only partially in place. <b>Any open manhole requires immediate maintenance.</b>	Manhole access covered.
	Locking mechanism not working	Mechanism cannot be opened by one maintenance person with proper tools. Bolts cannot be seated. Self-locking cover/lid does not work.	Mechanism opens with proper tools.
	Cover/lid difficult to remove	One maintenance person cannot remove cover/lid after applying 80 lbs of lift.	Cover/lid can be removed and reinstalled by one maintenance person.
	Ladder rungs unsafe	Missing rungs, misalignment, rust, or cracks.	Ladder meets design standards. Allows maintenance person safe access.
Large Access Doors/Plate	Damaged or difficult to open	Large access doors or plates cannot be opened/removed using normal equipment.	Replace or repair access door so it can be opened as designed.
	Gaps, doesn't cover completely	Large access doors not flat and/or access opening not completely covered.	Doors close flat and cover access opening completely.
	Lifting Rings missing, rusted	Lifting rings not capable of lifting weight of door or plate.	Lifting rings sufficient to lift or remove door or plate.

NO. 22 – BAFFLE OIL/WATER SEPARATOR			
MAINTENANCE COMPONENT	DEFECT	CONDITION WHEN MAINTENANCE IS NEEDED	RESULTS EXPECTED WHEN MAINTENANCE IS PERFORMED
Site	Trash and debris	Any trash or debris which impairs the function of the facility.	Trash and debris removed from facility.
	Contaminants and pollution	Floating oil in excess of 1 inch in first chamber, any oil in other chambers or other contaminants of any type in any chamber.	No contaminants present other than a surface oil film.
Vault Treatment Area	Sediment accumulation	Sediment accumulates exceeds 6 inches in the vault.	No sediment in the vault.
	Discharge water not clear	Inspection of discharge water shows obvious signs of poor water quality-effluent discharge from vault shows thick visible sheen.	Effluent discharge is clear.
	Trash or debris accumulation	Any trash and debris accumulation in vault (floatables and non-floatables).	Vault is clear of trash and debris.
	Oil accumulation	Oil accumulations that exceed 1 inch, at the surface of the water in the oil/water separator chamber.	No visible oil depth on water.
Vault Structure	Damage to wall, frame, bottom, and/or top slab	Cracks wider than ½-inch or evidence of soil particles entering the structure through the cracks, or maintenance/inspection personnel determines that the vault is not structurally sound.	Vault replaced or repaired to design specifications.
	Baffles damaged	Baffles corroding, cracking, warping and/or showing signs of failure as determined by maintenance inspection personnel.	Repair or replace baffles to specifications.
Gravity Drain	Inoperable valve	Valve will not open and close.	Valve opens and closes normally.
	Valve won't seal	Valve does not seal completely.	Valve completely seals closed.
Inlet/Outlet Pipe	Sediment accumulation	Sediment filling 20% or more of the pipe.	Inlet/outlet pipes clear of sediment.
	Trash and debris	Trash and debris accumulated in inlet/outlet pipes (includes floatables and non-floatables).	No trash or debris in pipes.
	Damaged inlet/outlet pipe	Cracks wider than ½-inch at the joint of the inlet/outlet pipes or any evidence of soil entering at the joints of the inlet/outlet pipes.	No cracks more than ¼-inch wide at the joint of the inlet/outlet pipe.
Access Manhole	Cover/lid not in place	Cover/lid is missing or only partially in place. <b>Any open manhole requires immediate maintenance.</b>	Manhole access covered.
	Locking mechanism not working	Mechanism cannot be opened by one maintenance person with proper tools. Bolts cannot be seated. Self-locking cover/lid does not work.	Mechanism opens with proper tools.
	Cover/lid difficult to remove	One maintenance person cannot remove cover/lid after applying 80 lbs of lift.	Cover/lid can be removed and reinstalled by one maintenance person.
	Ladder rungs unsafe	Missing rungs, misalignment, rust, or cracks.	Ladder meets design standards. Allows maintenance person safe access.

<b>NO. 22 – BAFFLE OIL/WATER SEPARATOR</b>			
<b>MAINTENANCE COMPONENT</b>	<b>DEFECT</b>	<b>CONDITION WHEN MAINTENANCE IS NEEDED</b>	<b>RESULTS EXPECTED WHEN MAINTENANCE IS PERFORMED</b>
Large Access Doors/Plate	Damaged or difficult to open	Large access doors or plates cannot be opened/removed using normal equipment.	Replace or repair access door so it can be opened as designed.
	Gaps, doesn't cover completely	Large access doors not flat and/or access opening not completely covered.	Doors close flat and cover access opening completely.
	Lifting rings missing, rusted	Lifting rings not capable of lifting weight of door or cover/lid.	Lifting rings sufficient to lift or remove cover/lid.

<b>NO. 23 – COALESCING PLATE OIL/WATER SEPARATOR</b>			
<b>MAINTENANCE COMPONENT</b>	<b>DEFECT</b>	<b>CONDITION WHEN MAINTENANCE IS NEEDED</b>	<b>RESULTS EXPECTED WHEN MAINTENANCE IS PERFORMED</b>
Site	Trash and debris	Any trash or debris which impairs the function of the facility.	Trash and debris removed from facility.
	Contaminants and pollution	Floating oil in excess of 1 inch in first chamber, any oil in other chambers or other contaminants of any type in any chamber.	No contaminants present other than a surface oil film.
Vault Treatment Area	Sediment accumulation in the forebay	Sediment accumulation of 6 inches or greater in the forebay.	No sediment in the forebay.
	Discharge water not clear	Inspection of discharge water shows obvious signs of poor water quality – effluent discharge from vault shows thick visible sheen.	Repair function of plates so effluent is clear.
	Trash or debris accumulation	Trash and debris accumulation in vault (floatables and non-floatables).	Trash and debris removed from vault.
	Oil accumulation	Oil accumulation that exceeds 1 inch at the water surface in the in the coalescing plate chamber.	No visible oil depth on water and coalescing plates clear of oil.
Coalescing Plates	Damaged	Plate media broken, deformed, cracked and/or showing signs of failure.	Replace that portion of media pack or entire plate pack depending on severity of failure.
	Sediment accumulation	Any sediment accumulation which interferes with the operation of the coalescing plates.	No sediment accumulation interfering with the coalescing plates.
Vault Structure	Damage to wall, frame, bottom, and/or top slab	Cracks wider than ½-inch and any evidence of soil particles entering the structure through the cracks, or maintenance inspection personnel determines that the vault is not structurally sound.	Vault replaced or repaired to design specifications.
	Baffles damaged	Baffles corroding, cracking, warping and/or showing signs of failure as determined by maintenance/inspection person.	Repair or replace baffles to specifications.
Ventilation Pipes	Plugged ventilation pipes	Any obstruction to the ventilation pipes.	Ventilation pipes are clear.
Shutoff Valve	Damaged or inoperable shutoff valve	Shutoff valve cannot be opened or closed.	Shutoff valve operates normally.
Inlet/Outlet Pipe	Sediment accumulation	Sediment filling 20% or more of the pipe.	Inlet/outlet pipes clear of sediment.
	Trash and debris	Trash and debris accumulated in inlet/outlet pipes (includes floatables and non-floatables).	No trash or debris in pipes.
	Damaged inlet/outlet pipe	Cracks wider than ½-inch at the joint of the inlet/outlet pipes or any evidence of soil entering at the joints of the inlet/outlet pipes.	No cracks more than ¼-inch wide at the joint of the inlet/outlet pipe.
Access Manhole	Cover/lid not in place	Cover/lid is missing or only partially in place. <b>Any open manhole requires immediate maintenance.</b>	Manhole access covered.
	Locking mechanism not working	Mechanism cannot be opened by one maintenance person with proper tools. Bolts cannot be seated. Self-locking cover/lid does not work.	Mechanism opens with proper tools.

<b>NO. 23 – COALESCING PLATE OIL/WATER SEPARATOR</b>			
<b>MAINTENANCE COMPONENT</b>	<b>DEFECT</b>	<b>CONDITION WHEN MAINTENANCE IS NEEDED</b>	<b>RESULTS EXPECTED WHEN MAINTENANCE IS PERFORMED</b>
Access Manhole (cont.)	Cover/lid difficult to remove	One maintenance person cannot remove cover/lid after applying 80 lbs of lift.	Cover/lid can be removed and reinstalled by one maintenance person.
	Ladder rungs unsafe	Missing rungs, misalignment, rust, or cracks.	Ladder meets design standards. Allows maintenance person safe access.
Large access doors/plate	Damaged or difficult to open	Large access doors or plates cannot be opened/removed using normal equipment.	Replace or repair access door so it can be opened as designed.
	Gaps, doesn't cover completely	Large access doors not flat and/or access opening not completely covered.	Doors close flat and cover access opening completely.
	Lifting rings missing, rusted	Lifting rings not capable of lifting weight of door or plate.	Lifting rings sufficient to lift or remove door or plate.

**NO. 24 – CATCH BASIN INSERT (NOT ALLOWED IN THE CITY FOR OIL CONTROL)**

<b>NO. 25 – DRYWELL BMP</b>			
<b>MAINTENANCE COMPONENT</b>	<b>DEFECT OR PROBLEM</b>	<b>CONDITIONS WHEN MAINTENANCE IS NEEDED</b>	<b>RESULTS EXPECTED WHEN MAINTENANCE IS PERFORMED</b>
Preventive	Plugging, obstructions	Any cause limiting flow into drywell.	Drywell able to receive full flow prior to and during wet season.
Site	Trash and debris	Trash or debris that could end up in the drywell is evident.	No trash or debris that could get into the drywell can be found.
Pipes	Plugged inlet	The entrance to the pipe is restricted due to sediment, trash, or debris.	The entrance to the pipe is not restricted.
	Vegetation/root growth in pipes	Vegetation/roots that reduce free movement of water through pipes.	Water flows freely through pipes.
	Plugged pipe	Sediment or other material prevents free flow of water through the pipe.	Water flows freely through pipes.
	Broken pipe or joint leaks	Damage to the pipe or pipe joints allowing water to seep out.	Pipe does not allow water to exit other than at the outlet.
Structure	Basin leaks	Holes or breaks in the basin allow water to leave the basin at locations other than per design.	Basin is sealed and allows water to exit only where designed.
Filter Media	Plugged filter media	Filter media plugged.	Flow through filter media is normal.

<b>NO. 26 – GRAVEL FILLED INFILTRATION TRENCH BMP</b>			
<b>MAINTENANCE COMPONENT</b>	<b>DEFECT OR PROBLEM</b>	<b>CONDITIONS WHEN MAINTENANCE IS NEEDED</b>	<b>RESULTS EXPECTED WHEN MAINTENANCE IS PERFORMED</b>
Preventive	Blocking, obstructions	Debris or trash limiting flow to infiltration trench.	Infiltration trench able to receive full flow prior to and during wet season.
Site	Trash and debris	Trash or debris that could end up in the infiltration trench is evident.	No trash or debris that could get into the infiltration trench can be found.
Pipes	Plugged inlet	The entrance to the pipe is restricted due to sediment, trash, or debris.	The entrance to the pipe is not restricted.
	Vegetation/root growth in pipes	Vegetation/roots that reduce free movement of water through pipes.	Water flows freely through pipes.
	Plugged pipes	Sediment or other material prevents free flow of water through the pipe.	Water flows freely through pipes.
	Broken pipe or joint leaks	Damage to the pipe or pipe joints allowing water to seep out.	Pipe does not allow water to exit other than at the outlet to the trench.
Structure	Flow not reaching trench	Flows are not getting into the trench as designed.	Water enters and exits trench as designed.
	Cleanout/inspection access does not allow cleaning or inspection of trench	The cleanout/inspection access is not available.	Cleanout/inspection access is available.
Filter Media	Plugged filter media	Filter media plugged.	Flow through filter media is normal.



<b>NO. 27 – GRAVEL FILLED DISPERSION TRENCH BMP</b>			
<b>MAINTENANCE COMPONENT</b>	<b>DEFECT OR PROBLEM</b>	<b>CONDITIONS WHEN MAINTENANCE IS NEEDED</b>	<b>RESULTS EXPECTED WHEN MAINTENANCE IS PERFORMED</b>
Preventive	Blocking, obstructions	Debris or trash limiting flow to dispersion trench or preventing spreader function.	Dispersion trench able to receive full flow prior to and during wet season.
Site	Trash and debris	Trash or debris that could end up in the dispersion trench is evident.	No trash or debris that could get into the dispersion trench can be found.
Pipes	Plugged inlet	The entrance to the pipe is restricted due to sediment, trash, or debris.	The entrance to the pipe is not restricted.
	Vegetation/root growth in pipes	Vegetation/roots that reduce free movement of water through pipes.	Water flows freely through pipes.
	Plugged pipe	Sediment or other material prevents free flow of water through the pipe.	Water flows freely through pipes.
	Broken pipe or joint leaks.	Damage to the pipe or pipe joints allowing water to seep out.	Pipe does not allow water to exit other than at the outlet to the trench.
	Broken or missing cleanout caps	Cleanout caps are broken, missing, or buried.	Cleanout caps are accessible and intact.
Structure	Flow not reaching trench	Flows are not getting into the trench as designed.	Water enters and exits trench as designed.
	Perforated pipe plugged	Flow not able to enter or properly exit from perforated pipe.	Water freely enters and exits perforated pipe.
	Flow not spreading evenly at outlet of trench	Outlet flows channelizing or not spreading evenly from trench.	Sheet flow occurs at the outlet of the trench.
	Cleanout/inspection access does not allow cleaning or inspection of perforated pipe	The cleanout/inspection access is not available.	Cleanout/inspection access is available.
Filter Media	Plugged filter media	Filter media plugged.	Flow through filter media is normal.

<b>NO. 28 – NATIVE VEGETATED SURFACE/NATIVE VEGETATED LANDSCAPE BMP</b>			
<b>MAINTENANCE COMPONENT</b>	<b>DEFECT OR PROBLEM</b>	<b>CONDITION WHEN MAINTENANCE IS NEEDED</b>	<b>RESULTS EXPECTED WHEN MAINTENANCE IS PERFORMED</b>
Site	Trash and debris	Trash and debris accumulated on the native vegetated surface/native vegetated landscape site.	Native vegetated surface site free of any trash or debris.
Vegetation	Insufficient vegetation	Less than two species each of native trees, shrubs, and groundcover occur in the design area.	A minimum of two species each of native trees, shrubs, and groundcover is established and healthy.
	Poor vegetation coverage	Less than 90% if the required vegetated area has healthy growth.	A minimum of 90% of the required vegetated area has healthy growth.
	Undesirable vegetation present	Weeds, blackberry, and other undesirable plants are invading more than 10% of vegetated area.	Less than 10% undesirable vegetation occurs in the required native vegetated surface area.
Vegetated Area	Soil compaction	Soil in the native vegetation area compacted.	Less than 8% of native vegetation area is compacted.
	Insufficient vegetation	Less than 3.5 square feet of native vegetation area for every 1 square foot of impervious surface.	A minimum of 3.5 square feet of native vegetation area for every 1 square foot of impervious surface.
	Excess slope	Slope of native vegetation area greater than 15%.	Slope of native growth area does not exceed 15%.

<b>NO. 29 – PERFORATED PIPE CONNECTIONS BMP</b>			
<b>MAINTENANCE COMPONENT</b>	<b>DEFECT OR PROBLEM</b>	<b>CONDITIONS WHEN MAINTENANCE IS NEEDED</b>	<b>RESULTS EXPECTED WHEN MAINTENANCE IS PERFORMED</b>
Preventive	Blocking, obstructions	Debris or trash limiting flow into perforated pipe system or outfall of BMP is plugged or otherwise nonfunctioning.	Outfall of BMP is receiving designed flows from perforated pipe connection.
Inflow	Inflow impeded	Inflow into the perforated pipe is partially or fully blocked or altered to prevent flow from getting into the pipe.	Inflow to the perforated pipe is unimpeded.
Pipe Trench Area	Surface compacted	Ground surface over the perforated pipe trench is compacted or covered with impermeable material.	Ground surface over the perforated pipe is not compacted and free of any impervious cover.
Outflow	Outflow impeded	Outflow from the perforated pipe into the public drainage system is blocked.	Outflow to the public drainage system is unimpeded.
Outfall Area	Erosion or landslides	Existence of the perforated pipe is causing or exasperating erosion or landslides.	Perforated pipe system is sealed off and an alternative BMP is implemented.

<b>NO. 30 – PERMEABLE PAVEMENT BMP</b>			
<b>MAINTENANCE COMPONENT</b>	<b>DEFECT OR PROBLEM</b>	<b>CONDITIONS WHEN MAINTENANCE IS NEEDED</b>	<b>RESULTS EXPECTED WHEN MAINTENANCE IS PERFORMED</b>
Preventive	Surface cleaning/vegetation control	Media surface vacuumed or pressure washed annually, vegetation controlled to design maximum. Weed growth suggesting sediment accumulation.	No dirt, sediment, or debris clogging porous media, or vegetation limiting infiltration.
Porous Concrete, Porous Asphaltic Concrete, and Permeable Pavers	Trash and debris	Trash and debris on the pavement interfering with infiltration; leaf drop in fall season.	No trash or debris interfering with infiltration.
	Sediment accumulation	Sediment accumulation on the pavement interfering with infiltration; runoff from adjacent areas depositing sediment/debris on pavement.	Pavement infiltrates as designed; adjacent areas stabilized.
	Insufficient infiltration rate	Pavement does not infiltrate at a rate of 10 inches per hour.	Pavement infiltrates at a rate greater than 10 inches per hour.
	Excessive ponding	Standing water for a long period of time on the surface of the pavement.	Standing water infiltrates at the desired rate.
	Broken or cracked pavement	Pavement is broken or cracked.	No broken pavement or cracks on the surface of the pavement.
	Settlement	Uneven pavement surface indicating settlement of the subsurface layer.	Pavement surface is uniformly level.
	Moss growth	Moss growing on pavement interfering with infiltration.	No moss interferes with infiltration.
	Inflow restricted	Inflow to the pavement is diverted, restricted, or depositing sediment and debris on the pavement.	Inflow to pavement is unobstructed and not bringing sediment or debris to the pavement.
	Underdrain not freely flowing	Underdrain is not flowing when pavement has been infiltrating water.	Underdrain flows freely when water is present.
Permeable Pavers	Overflow not controlling excess water	Overflow not controlling excess water to desired location; native soil is exposed or other signs of erosion damage are present.	Overflow permits excess water to leave the site at the desired location; Overflow is stabilized and appropriately armored.
	Broken or missing pavers	Broken or missing paving blocks on surface of pavement.	No missing or broken paving blocks interfering with infiltration.
	Uneven surface	Uneven surface due to settlement or scour of fill in the interstices of the paving blocks.	Pavement surface is uniformly level.
	Compaction	Poor infiltration due to soil compaction between paving blocks.	No soil compaction in the interstices of the paver blocks limiting infiltration.
	Poor vegetation growth (if applicable)	Grass in the interstices of the paving blocks is dead.	Healthy grass is growing in the interstices of the paver blocks.

<b>NO. 31 – BIORETENTION BMP</b>			
<b>MAINTENANCE COMPONENT</b>	<b>DEFECT OR PROBLEM</b>	<b>CONDITIONS WHEN MAINTENANCE IS NEEDED</b>	<b>RESULTS EXPECTED WHEN MAINTENANCE IS PERFORMED</b>
Preventive	Vegetation	Vegetation to be watered and pruned as needed and mulch applied to a minimum of 2 inches to maintain healthy growth.	Healthy vegetation growth with full coverage as designed.
Bioretention Area	Trash and debris	Trash and debris in the bioretention area; leaf drop in the fall season.	No trash or debris In the bioretention area.
	Sediment accumulation	Sediment accumulation in the bioretention area interfering with infiltration.	Water in the bioretention infiltrates as designed.
	Excessive ponding	Standing water in the bioretention area for more than two days.	Standing water infiltrates at the desired rate.
	Inflow restricted	Inflow not getting into bioretention; debris/sediment blockage at inlet features; native soil is exposed or other signs of erosion damage is present.	Unobstructed and properly routed inflow into bioretention area; inlet is stabilized and appropriately armored.
	Overflow not controlling excess water	Overflow water not controlled by outlet features; native soil is exposed or other signs of erosion damage is present.	Outlet features control overflow; overflow is stabilized and appropriately armored.
	Underdrain not freely flowing	Underdrain is not flowing when bioretention area has been infiltrating water.	Underdrain flows freely when water is present.
Vegetation	Poor vegetation coverage	Plants not thriving across at least 80% of the entire design vegetated area within the BMP; overly dense vegetation requiring pruning.	Healthy water tolerant plants in bioretention area, plants thriving across at least 80% of the entire design vegetated area within the facility.
	Insufficient vegetation	Plants not water tolerant species.	Plants are water tolerant.
	Weeds present	Weeds growing in bioretention area.	No weeds in bioretention area.
	Watering not occurring	Planting schedule requires frequent watering (approx. weekly Year 1, bimonthly Years 2 and 3) for new facilities, and as needed for established plantings or dry periods	Plants are established and thriving
	Pest control	Signs of pests, such as wilting or chewed leaves or bark, spotting or other indicators; extended ponding period encouraging mosquitoes	Plant community is pest-free when following an approved Integrated Pest Management plan; bioretention functioning normally and ponding controlled as needed for pest control
Containment Berm and Earthen Slopes	Erosion	Erosion occurring at earthen slopes or containment berm side slope.	Erosion on the containment berm and side slopes has been repaired and the cause of the erosion corrected.
	Voids created by nuisance animals (e.g., rodents) or tree roots	Voids affecting berm integrity or creating leaky pond condition	Voids have been repaired; facility is free of nuisance animals following an approved Integrated Pest Management plan.
	Settlement	Any part of the containment berm top has less than 6 inches of freeboard from the maximum pond level to the top of the berm.	A minimum of 6 inches freeboard from the maximum pond level to the top of the berm.
Amended Soil	Poor soil nutrients	Soil not providing plant nutrients.	Soil providing plant nutrients.
	Bare spots	Bare spots on soil in bioretention area.	No bare spots, bioretention area covered with vegetation or mulch mixed into the underlying soil.
	Compaction	Poor infiltration due to soil compaction in the bioretention area.	No soil compaction in the bioretention area.

<b>NO. 32 – RAINWATER HARVESTING BMP</b>			
<b>MAINTENANCE COMPONENT</b>	<b>DEFECT OR PROBLEM</b>	<b>CONDITIONS WHEN MAINTENANCE IS NEEDED</b>	<b>RESULTS EXPECTED WHEN MAINTENANCE IS PERFORMED</b>
Preventive	Insufficient storage volume	No rain water in storage unit at the beginning of the rain season.	Maximum storage available at the beginning of the rain season (Oct. 1).
Collection Area	Trash and debris	Trash of debris on collection area may plug filter system	Collection area clear of trash and debris.
Filter	Restricted or plugged filter	Filter is partially or fully plugged preventing water from getting in to the storage unit.	Filter is allowing collection water into storage unit.

<b>NO. 33 – ROCK PAD BMP</b>			
<b>MAINTENANCE COMPONENT</b>	<b>DEFECT OR PROBLEM</b>	<b>CONDITIONS WHEN MAINTENANCE IS NEEDED</b>	<b>RESULTS EXPECTED WHEN MAINTENANCE IS PERFORMED</b>
Site	Trash and debris	Trash and debris accumulated on rock pad site.	Rock pad site free of any trash or debris.
Rock Pad Area	Insufficient rock pad size	Rock pad is not 2 feet by 3 feet by 6 inches thick or as designed.	Rock pad is 2 feet by 3 feet by 6 inches thick or as designed.
	Vegetation growth	Vegetation is seen growing in or through rock pad.	No vegetation within rock pad area.
Rock	Exposed soil	Soil can be seen through the rock pad.	Full thickness of the rock pad is in place, no soil visible through rock pad.

<b>NO. 34 – SHEET FLOW BMP</b>			
<b>MAINTENANCE COMPONENT</b>	<b>DEFECT OR PROBLEM</b>	<b>CONDITIONS WHEN MAINTENANCE IS NEEDED</b>	<b>RESULTS EXPECTED WHEN MAINTENANCE IS PERFORMED</b>
Site	Trash and debris	Trash and debris accumulated on the sheet flow site.	Sheet flow site free of any trash or debris.
Sheet flow area	Erosion	Soil erosion occurring in sheet flow zone.	Soil erosion is not occurring and rills and channels have been repaired.
	Concentrated flow	Sheet flow is not occurring in the sheet flow zone.	Sheet flow area is regraded to provide sheet flow.

<b>NO. 35 – SPLASH BLOCK BMP</b>			
<b>MAINTENANCE COMPONENT</b>	<b>DEFECT OR PROBLEM</b>	<b>CONDITIONS WHEN MAINTENANCE IS NEEDED</b>	<b>RESULTS EXPECTED WHEN MAINTENANCE IS PERFORMED</b>
Site	Trash and debris	Trash and debris accumulated on the splash block.	Splash block site free of any trash or debris.
Splash Block	Dislodged splash block	Splash block moved from outlet of downspout.	Splash block correctly positioned to catch discharge from downspout.
	Channeling	Water coming off the splash block causing erosion.	No erosion occurs from the splash block.
	Downspout water misdirected	Water coming from the downspout is not discharging to the dispersal area.	Water is discharging normally to the dispersal area.

<b>NO. 36 – VEGETATED ROOF BMP</b>			
<b>MAINTENANCE COMPONENT</b>	<b>DEFECT OR PROBLEM</b>	<b>CONDITIONS WHEN MAINTENANCE IS NEEDED</b>	<b>RESULTS EXPECTED WHEN MAINTENANCE IS PERFORMED</b>
Preventive	Vegetation	Vegetation to be watered and pruned as needed to maintain healthy growth.	Healthy vegetation growth with full coverage as designed.
Site	Trash and debris	Trash and debris has accumulated on the vegetated roof.	Vegetated roof free of any trash or debris.
Waterproof Membrane	Leaking waterproof membrane	Waterproof membrane breached.	Waterproof membrane has no tears or holes allowing water through it.
Drainage Layer	Drainage pathway plugged/obstructed	Drainage layer flow plugged or obstructed.	Drainage layer passing water with no obstruction.
Drainage	Overflow obstructed	Drainage of overflow is obstructed.	Overflow has no obstruction.
Growth Media	Compaction	Soil in the growth media area compacted.	No part of the growth media is compacted.
	Erosion	Growth media washed out.	Growth media is not being washed away.
	Insufficient nutrients	Plants are not thriving.	Growth media has proper nutrients to support plant growth.
Vegetation	Insufficient vegetation	Vegetation species not succulents, grass, herbs, and/or wildflowers adapted to harsh conditions.	Correct species of vegetation is used.
	Poor vegetation coverage	Healthy vegetation covers less than 90% of vegetation area.	Healthy vegetation covers more than 90% of vegetation area.
	Undesirable vegetation	Weeds and other undesirable plants are invading more than 10% of vegetated area.	No undesirable vegetation occurs in the vegetated area. No herbicides or pesticides used to control undesirable vegetation.
	Poor vegetation growth	Special vegetation not thriving.	Special vegetation is kept healthy and inspected on frequent schedule.
Border Zone	Access restricted	Border zone limited by vegetation overgrowth or other means.	Border zone is kept open so vegetated area is accessible.
Gravel Stop	Overflow uncontained	Gravel stop does not contain overflow or divert it to a designed outlet.	Overflow water is only exits from the designed outlet.

<b>NO. 37 – RAIN GARDEN BMP</b>			
<b>MAINTENANCE COMPONENT</b>	<b>DEFECT OR PROBLEM</b>	<b>CONDITIONS WHEN MAINTENANCE IS NEEDED</b>	<b>RESULTS EXPECTED WHEN MAINTENANCE IS PERFORMED</b>
Facility – General Requirements	Mosquitoes	Standing water remains for more than 3 days after the end of a storm	Rain garden drains freely. Standing water in rain garden does not persist for more than 3 days after a storm event. Cause of the standing water addressed (see “Ponded water”).
	Trash and debris	Trash and debris present	No trash or debris present
Earthen Side Slopes and Berms	Erosion	Persistent soil erosion on slopes	No eroded or scoured areas. Cause of erosion or scour addressed.
Rockery Sidewalls	Unstable rockery	Rockery side walls are insecure	Stable rockery sidewalls (may require consultation with licensed engineer, particularly for walls 4 feet or greater in height)
Rain Garden Bottom Area	Sediment accumulation	Visible sediment deposition in the rain garden that reduces drawdown time of water in the rain garden	No sediment accumulation in rain garden. Source of sediment addressed.
	Debris accumulation	Accumulated leaves in facility	No leaves clogging outlet structure or impeding water flow.
Mulch	Lack of mulch	Bare spots (without mulch cover) are present or mulch depth less than 2 inches	Facility has a minimum 2- to 3-inch layer of an appropriate type of mulch. Mulch kept away from woody stems.
Splash Block Inlet	Water not properly directed to rain garden	Water is being directed towards building structure	Blocks are reconfigured to direct water to rain garden and away from structure.
Pipe Inlet/Outlet	Erosion	Rock or cobble removed or missing and concentrated flows contacting soil	No eroded or scoured areas. Cause of erosion or scour addressed. Cover of rock or cobbles protects the ground where concentrated water flows into the rain garden.
	Accumulated debris	Accumulated leaves, sediment, debris or vegetation at curb cuts, inlet or outlet pipe	Blockage cleared
	Damaged pipe	Pipe is damaged	Pipe repaired/replaced
	Clogged pipe	Pipe is clogged	Pipe clear of roots and debris
	Blocked access	Maintain access for inspections	Vegetation cleared or transplanted within 1 foot of inlets and outlets
Ponded Water	Ponded water	Excessive ponding water: Ponded water remains in the rain garden more than 48 hours after the end of a storm	Rain garden drains freely. Standing water in rain garden does not persist for more than 48 hours after a storm event. Leaf litter/debris/sediment removed.
Overflow	Blocked overflow	Capacity reduced by sediment or debris	No sediment or debris in overflow.
Vegetation	Blocked site distances and sidewalks	Vegetation inhibits sight distances and sidewalks	Sidewalks and sight distances along roadways and sidewalks are kept clear.
	Blocked pipes	Vegetation is crowding inlets and outlets	Inlets and outlets in rain garden clear of vegetation.
	Unhealthy vegetation	Yellowing: possible Nitrogen (N) deficiency Poor growth: possible Phosphorous (P) deficiency Poor flowering, spotting or curled leaves, or weak roots or stems: possible Potassium (K) deficiency	Plants are healthy and appropriate for site conditions.
	Weeds	Presence of weeds	Weeds removed (manual methods preferred) and mulch applied.

<b>NO. 37 – RAIN GARDEN BMP</b>			
<b>MAINTENANCE COMPONENT</b>	<b>DEFECT OR PROBLEM</b>	<b>CONDITIONS WHEN MAINTENANCE IS NEEDED</b>	<b>RESULTS EXPECTED WHEN MAINTENANCE IS PERFORMED</b>
Summer Watering (years 1–3)	Plant establishment	Tree, shrubs and groundcovers in first 3 years of establishment period	Plants are watered during plant establishment period (years 1–3).
Summer Watering (after establishment)	Drought conditions	Vegetation requires supplemental water	Plants are watered during drought conditions or more often if necessary during post-establishment period (after 2 years).



<b>NO. 38 – SOIL AMENDMENT BMP</b>			
<b>MAINTENANCE COMPONENT</b>	<b>DEFECT OR PROBLEM</b>	<b>CONDITIONS WHEN MAINTENANCE IS NEEDED</b>	<b>RESULTS EXPECTED WHEN MAINTENANCE IS PERFORMED</b>
Soil Media	Unhealthy vegetation	Vegetation not fully covering ground surface or vegetation health is poor. Yellowing: possible Nitrogen (N) deficiency. Poor growth: possible Phosphorous (P) deficiency. Poor flowering, spotting or curled leaves, or weak roots or stems: possible Potassium (K) deficiency.	Plants are healthy and appropriate for site conditions
	Inadequate soil nutrients and structure	In the fall, return leaf fall and shredded woody materials from the landscape to the site when possible	Soil providing plant nutrients and structure
	Excessive vegetation growth	Grass becomes excessively tall (greater than 10 inches); nuisance weeds and other vegetation start to take over.	Healthy turf- "grasscycle" (mulch-mow or leave the clippings) to build turf health
	Weeds	Preventive maintenance	Avoid use of pesticides (bug and weed killers), like "weed & feed," which damage the soil
	Fertilizer needed	Where fertilization is needed (mainly turf and annual flower beds), a moderate fertilization program should be used which relies on compost, natural fertilizers or slow-release synthetic balanced fertilizers	Integrated Pest Management (IPM) protocols for fertilization followed
	Bare spots	Bare spots on soil	No bare spots, area covered with vegetation or mulch mixed into the underlying soil.
	Compaction	Poor infiltration due to soil compaction <ul style="list-style-type: none"> <li>• To remediate compaction, aerate soil, till to at least 8-inch depth, or further amend soil with compost and re-till</li> <li>• If areas are turf, aerate compacted areas and top dress them with 1/4 to 1/2 inch of compost to renovate them</li> <li>• If drainage is still slow, consider investigating alternative causes (e.g., high wet season groundwater levels, low permeability soils)</li> <li>• Also consider site use and protection from compacting activities</li> </ul>	No soil compaction
	Poor infiltration	Soils become waterlogged, do not appear to be infiltrating.	Facility infiltrating properly
Erosion/Scouring	Erosion	Areas of potential erosion are visible	Causes of erosion (e.g., concentrate flow entering area, channelization of runoff) identified and damaged area stabilized (regrade, rock, vegetation, erosion control matting). For deep channels or cuts (over 3 inches in ponding depth), temporary erosion control measures in place until permanent repairs can be made
Grass/Vegetation	Unhealthy vegetation	Less than 75% of planted vegetation is healthy with a generally good appearance.	Healthy vegetation. Unhealthy plants removed/replaced. Appropriate vegetation planted in terms of exposure, soil and soil moisture.
Noxious Weeds	Noxious weeds	Listed noxious vegetation is present (refer to current County noxious weed list).	No noxious weeds present.

<b>NO. 39 – RETAINED TREES</b>			
<b>MAINTENANCE COMPONENT</b>	<b>DEFECT OR PROBLEM</b>	<b>CONDITIONS WHEN MAINTENANCE IS NEEDED</b>	<b>RESULTS EXPECTED WHEN MAINTENANCE IS PERFORMED</b>
Tree	Dead or declining	Dead, damaged, or declining	Tree replaced per planting plan or acceptable substitute

<b>NO. 40 – FILTERRA SYSTEM</b>			
<b>MAINTENANCE COMPONENT</b>	<b>DEFECT OR PROBLEM</b>	<b>CONDITION WHEN MAINTENANCE IS NEEDED</b>	<b>RESULTS EXPECTED WHEN MAINTENANCE IS PERFORMED</b>
In addition to the specific maintenance criteria provided below, all manufacturer's requirements shall be followed.			
Facility – General Requirements	Life cycle	Once per year, except mulch and trash removal twice per year	Facility is re-inspected and any needed maintenance performed
	Contaminants and pollution	Any evidence of contaminants or pollution such as oil, gasoline, concrete slurries, or paint	Materials removed and disposed of according to applicable regulations. Source control BMPs implemented if appropriate. No contaminants present other than a surface oil film.
Inlet	Excessive sediment or trash accumulation	Accumulated sediments or trash impair free flow of water into system	Inlet should be free of obstructions allowing free distributed flow of water into system
Mulch Cover	Trash and floatable debris accumulation	Excessive trash and/or debris accumulation	Minimal trash or other debris on mulch cover. Mulch cover raked level.
	"Ponding" of water on mulch cover	"Ponding" in unit could be indicative of clogging due to excessive fine sediment accumulation or spill of petroleum oils	Stormwater should drain freely and evenly through mulch cover
Proprietary Filter Media/ Vegetation Substrate	"Ponding" of water on mulch cover after mulch cover has been maintained	Excessive fine sediment passes the mulch cover and clogs the filter media/vegetative substrate	Stormwater should drain freely and evenly through mulch cover. Replace substrate and vegetation when needed
Vegetation	Plants not growing or in poor condition	Soil/mulch too wet, evidence of spill, incorrect plant selection, pest infestation, and/or vandalism to plants	Plants should be healthy and pest free
		Media/mulch too dry	Irrigation is required
	Plants absent	Plants absent	Appropriate plants are present
	Excessive plant growth	Excessive plant growth inhibits facility function or becomes a hazard for pedestrian and vehicular circulation and safety	Pruning and/or thinning vegetation maintains proper plant density. Appropriate plants are present.
Structure	Structure has visible cracks	Cracks wider than ½ inch Evidence of soil particles entering the structure through the cracks	Structure is sealed and structurally sound

<b>NO. 41 – COMPOST AMENDED VEGETATED FILTER STRIP (CAVFS)</b>			
<b>MAINTENANCE COMPONENT</b>	<b>DEFECT OR PROBLEM</b>	<b>CONDITION WHEN MAINTENANCE IS NEEDED</b>	<b>RESULTS EXPECTED WHEN MAINTENANCE IS PERFORMED</b>
General	Sediment accumulation on grass	Sediment depth exceeds 2 inches.	Remove sediment deposits. Relevel so slope is even and flows pass evenly through strip.
	Excessive vegetation growth	Grass becomes excessively tall (greater than 10 inches); nuisance weeds and other vegetation start to take over.	Mow grass and control nuisance vegetation so that flow is not impeded. Grass should be mowed to a height of 6 inches.
	Trash and debris	Trash and debris have accumulated on the vegetated filter strip.	Remove trash and debris from filter.
	Erosion/scouring	Areas have eroded or scoured due to flow channelization or high flows.	For ruts or bare areas less than 12 inches wide, repair the damaged area by filling with a 50/50 mixture of crushed gravel and compost. The grass will creep in over the rock in time. If bare areas are large, generally greater than 12 inches wide, the vegetated filter strip should be regraded and reseeded. For smaller bare areas, overseed when bare spots are evident.
	Flow spreader uneven or clogged	Flow spreader is uneven or clogged so that flows are not uniformly distributed over entire filter width.	Level the spreader and clean so that flows are spread evenly over entire filter width

<b>NO. 42 – MEDIA FILTER DRAIN (MFD)</b>			
<b>MAINTENANCE COMPONENT</b>	<b>DEFECT OR PROBLEM</b>	<b>CONDITION WHEN MAINTENANCE IS NEEDED</b>	<b>RESULTS EXPECTED WHEN MAINTENANCE IS PERFORMED</b>
General	Sediment accumulation on grass filter strip	Sediment depth exceeds 2 inches or creates uneven grading that interferes with sheet flow.	Remove sediment deposits on grass treatment area of the embankment. When finished, embankment should be level from side to side and drain freely toward the toe of the embankment slope. There should be no areas of standing water once inflow has ceased.
	No-vegetation zone/flow spreader is uneven or clogged	Flow spreader is uneven or clogged so that flows are not uniformly distributed over entire embankment width.	Level the spreader and clean to spread flows evenly over entire embankment width.
	Poor vegetation coverage	Grass is sparse or bare, or eroded patches are observed in more than 10% of the grass strip surface area.	Determine why grass growth is poor and correct the offending condition. Reseed into loosened, fertile soil or compost; or, replant with plugs of grass from the upper slope.
	Excessive vegetation growth	Grass becomes excessively tall (greater than 10 inches); nuisance weeds and other vegetation start to take over.	Mow vegetation or remove nuisance vegetation to not impede flow. Mow grass to a height of 6 inches.
	Media filter drain mix needs replacement	Water is seen on the surface of the media filter drain mix long after the storms have ceased. Typically, the 6-month, 24-hour precipitation event should drain within 48 hours. More common storms should drain within 24 hours. Maintenance also needed on a 10-year cycle and during a preservation project.	Excavate and replace all of the media filter drain mix contained within the media filter drain.
	Excessive shading	Grass growth is poor because sunlight does not reach embankment.	If possible, trim back overhanging limbs and remove brushy vegetation on adjacent slopes.
	Trash and debris	Trash and debris have accumulated on embankment.	Remove trash and debris from embankment.
	Flooding of media filter drain	When media filter drain is inundated by flood water	Evaluate media filter drain material for acceptable infiltration rate and replace if media filter drain does not meet long-term infiltration rate standards.

<b>NO. 43 – COMPOST-AMENDED BIOFILTRATION SWALE</b>			
<b>MAINTENANCE COMPONENT</b>	<b>DEFECT OR PROBLEM</b>	<b>CONDITION WHEN MAINTENANCE IS NEEDED</b>	<b>RESULTS EXPECTED WHEN MAINTENANCE IS PERFORMED</b>
Site	Trash and debris	Any trash and/or debris accumulated on the bioswale site.	No trash or debris on the bioswale site.
	Contaminants and pollution	Any evidence of contaminants or pollution such as oil, gasoline, concrete slurries or paint.	Materials removed and disposed of according to applicable regulations. Source control BMPs implemented if appropriate. No contaminants present other than a surface oil film.
Swale Section	Sediment accumulation	Sediment depth exceeds 2 inches in 10% of the swale treatment area.	No sediment deposits in grass treatment area of the bioswale.
		Sediment inhibits grass growth over 10% of swale length.	Grass growth not inhibited by sediment.
		Sediment inhibits even spreading of flow.	Flow spreads evenly through swale
	Erosion/scouring	Eroded or scoured swale bottom due to channelization or high flows.	No eroded or scoured areas in bioswale. Cause of erosion or scour addressed.
	Poor vegetation coverage	Grass is sparse or bare or eroded patches occur in more than 10% of the swale bottom.	Swale has no bare spots and grass is thick and healthy.
	Excessive vegetation growth	Grass excessively tall (greater than 10 inches), grass is thin or nuisance weeds and other vegetation have taken over.	Grass is between 3 and 4 inches tall, thick and healthy. No nuisance vegetation present.
	Excessive shade	Grass growth is poor because sunlight does not reach swale.	Healthy grass growth or swale converted to a wet bioswale.
	Constant baseflow	Continuous flow through the swale, even when it has been dry for weeks or an eroded, muddy channel has formed in the swale bottom.	Baseflow removed from swale by a low-flow pea-gravel drain or bypassed around the swale.
	Standing water	Water pools in the swale between storms or does not drain freely.	Swale freely drains and there is no standing water in swale between storms.
	Channelization	Flow concentrates and erodes channel through swale.	No flow channels in swale.
	Insufficient compost depth	Depth of compost is less than 3 inches.	Compost depth is 3 inches.
Flow Spreader	Concentrated flow	Flow from spreader not uniformly distributed across entire swale width.	Flows are spread evenly over entire swale width.
Inlet/Outlet Pipe	Sediment accumulation	Sediment filling 20% or more of the pipe.	Inlet/outlet pipes clear of sediment.
	Trash and debris	Trash and debris accumulated in inlet/outlet pipes (includes floatables and non-floatables).	No trash or debris in pipes.
	Damaged inlet/outlet pipe	Cracks wider than ½-inch at the joint of the inlet/outlet pipes or any evidence of soil entering at the joints of the inlet/outlet pipes.	No cracks more than ¼-inch wide at the joint of the inlet/outlet pipe.

*(This page intentionally left blank.)*

# APPENDIX B

## MASTER DRAINAGE PLAN OBJECTIVE, CRITERIA AND COMPONENTS, AND REVIEW PROCESS

### OBJECTIVE

The objective of the Master Drainage Plan (MDP) is to propose specific drainage control systems that will prevent significant adverse impacts to the site's natural hydrologic system and to existing and planned offsite drainage systems and resources. Although this is also the objective of the Surface Water Design Manual (SWDM) generally, the City allows smaller-scale projects to rely more heavily on the "cookbook" approach of the Core and Special Requirements specified in the Manual. Land use alterations from larger scale projects have a higher potential to result in resource and flooding impacts if the "cookbook" standards miss their mark. These larger project, then, are required to take a more detailed, site-specific look at drainage resources and associated management issues.

Larger projects are seen to entail more risk to receiving waters (including groundwater) for two reasons: (a) the relatively large area of the subbasin which is developed and (b) the shorter than typical time frame in which that development occurs. If the same area were developed as smaller parcels, rather than as a large site, development would normally be staggered over a longer period of time. This longer time frame allows a certain "grace" period for problems to be identified and corrective actions incorporated into later development proposals. Not only are formal drainage complaints called in to the City a source of information, but the SEPA public review process accompanying permit review offers an avenue for existing drainage problems to be made known. This longer time frame and input from the affected public offers certain safeguards that any problems resulting from application of the more general drainage planning approach specified in the SWDM are dealt with before additional development in the subbasin proceeds.

Some of the impacts that MDPs would be expected to address include the following:

1. Increase in flow rates and/or volumes that would result in flooding along the natural and/or constructed drainage system, or that would aggravate existing flooding problems, either onsite or downstream.
2. Increase of flow rates and/or volumes, both on- and offsite that would de-stabilize the existing geomorphic balance of the natural drainage systems. Examples would include an increase in the rate or frequency of streambank erosion resulting in bank/slope failures along stream corridors, and downstream sedimentation reducing channel capacity.

3. Alteration of natural topography and/or native vegetation that would result in unstable soil conditions, slopes, or embankments.
4. Alteration of natural hydrologic features or provision of site improvements that would reduce the functional ability of the subbasin to preserve water quality and quantity and/or in-stream and other aquatic habitat values.
5. Alteration of ground water/interflow that would adversely change downstream base flows and/or impair existing water rights.

## CRITERIA

The proposed drainage plan, impact analysis and mitigation measures shall be supported by detailed technical analyses and reports as part of the MDP. In addition to the engineering plans, the MDP shall include appropriate geotechnical investigations, water quality and aquatic habitat analysis, and hydrologic computer modeling (see Section 3.2 in Chapter 3). The report shall also include maintenance and operation provisions for the existing natural drainage system and any onsite drainage facilities. Specific maintenance plans and agreements, identifying maintenance responsibilities, must be provided for any facility privately maintained.

The hydrologic and hydraulic analysis of the site, basin, and downstream system shall be done using the methods described in this Manual. Exceptions are for plans required to prepare hydrologic models using rainfall and stream gage data. Any upstream contributing systems or subbasins shall be analyzed for both existing and future development conditions (as shown in the City of Renton Comprehensive Plan or other land use maps). Any agreements, contracts or work scopes for the MDP or monitoring plan are also considered a component of the MDP. Specific requirements and the order for submittal of the various components are given in a detached document entitled: *Master Drainage Planning for Large Site Developments – Process and Requirements*, May 1995.

## COMPONENTS OF MASTER DRAINAGE PLANS

The MDP consists of several components. These components are typically presented in a drainage plan developed using an approved hydrological model, special reports and studies to identify impacts, mitigation measures to reduce impacts, a technical report containing engineering analyses such as the offsite and flood plain analyses, and a post-development monitoring plan. The drainage plan shall provide a comprehensive analysis of existing and proposed surface and subsurface water quantity and quality conditions for both on and offsite systems. Offsite systems may include upstream and downstream hydrology. Upstream analysis shall include the total drainage area contributing to the site. Downstream analysis shall extend to an acceptable receiving body of water.

### Technical Elements

At a minimum, specific technical elements of the MDP include the following:

1. A conceptual or preliminary plan of the proposed drainage collection and flow control systems, based upon accurate field topographic mapping and geologic data, should be provided, along with appropriate cross-sections and details necessary to identify drainage system elements.
2. All assumptions, parameters, and input data used in the hydrologic model. Input and output files from hydrologic and/or hydraulic computer models shall be included as an appendix.
3. Hydraulic performance data (stage, storage, discharge) for all elements of the hydrologic system, whether existing or proposed, including lakes, ponds, and wetlands. This data shall be used to route inflow hydrographs to produce outflow hydrographs.
4. Flow data for all existing and proposed conveyance facilities, including streams, swales, pipes, and ditches which will support the proposed system.



5. Floodplain analysis identifying flows, velocities, and extent of flooding for the existing and proposed conditions. Other backwater analysis required to determine existing and proposed conveyance capacity within the MDP and downstream of the MDP.
6. Erosion analysis of onsite and downstream open-drainage systems, identifying flows, velocities, areas of existing and future deposition and channel erosion, and characterization of sediment.
7. Geotechnical analysis of the site and proposed improvements which specifically addresses soils and slope stability for proposed lakes/ponds, road alignments, channel/ravine conditions, building setbacks from steep slopes, vegetative preservation and controls, existing and proposed drainage facilities, and downstream system stability.
8. Ecological analysis to include the physical and biological features of the streams, lakes, wetlands and swales. The features identified shall be keyed to the map produced in Item (2)(b), below.
9. Method and conceptual design for maintaining existing flow regimes in any swales/ravines that may be altered by the development.
10. Method, conceptual design, and location of water quality compensating facilities that may be necessary to replace naturally occurring "biofiltration" functions of site vegetation, i.e., provision and/or preservation of vegetated swales.
11. Description of maintenance design features and provisions that will ensure reliable and long-term facility operation.
12. Provide construction phasing plan that will ensure stormwater/erosion control during development of individual subbasins.
13. Establish a stream flow/rainfall gauging and stream cross section monitoring plan that will document any changes in the levels of flooding, erosion, and sedimentation, and identify responsible parties for necessary mitigation.

### **Mapping Requirements**

Mapping for the MDP must be of adequate scale and detail for accurate definition and location of all system elements, both onsite and offsite, and must provide support for hydrologic model characterization. In general, the following are required:

1. Delineation of subbasins of appropriate size/land use for computer model characterization and hydraulic analysis of all tributary flows.
2. Location and size of all existing and proposed hydrologic features and facilities in the basins. This includes lakes, ponds, wetlands, swales, streams, pipes, and culverts.
3. Overall plan/profile and cross-sections of conveyance systems and identification of the floodplain and floodway and frequency of flooding for existing and developed conditions.
4. Identify areas of in-stream erosion, sedimentation and/or unstable slopes.
5. Identify site soils for use in hydrologic modeling and preliminary analysis for controlling erosion during construction.
6. Identify upstream and downstream habitat condition, i.e., spawning, rearing, and transport areas; pools, riffles, and other in-stream habitat features; and species and populations observed. Locations shall be keyed to the map produced in Item (2)(b), above.
7. Identify general required building setbacks, clearing limits and Native Growth Protection Easements in areas of steep slopes and drainage features.

## REVIEW PROCESS

Master Drainage Plans (MDPs) are submitted directly to the Department of Community and Economic Development (CED) for review. They must, however, be a part of a permit application that has been filed with CED (see Section 1.1.1). The MDP process should commence concurrently with the SEPA process.

King County has prepared MDP guidelines entitled: *Master Drainage Planning for Large Site Developments – Process and Requirements*, May 1995, which provide technical guidance to implement the requirements of Section 1.2.2.5 and this Appendix B. The *MDP Guidelines* may be obtained by contacting CED.

Prior to commencing preparation of the MDP, the applicant and design engineer (including the team that includes other design professionals such as geotechnical engineers and/or biologists, etc.) should request a MDP pre-application meeting for general information followed by a scoping meeting with CED in order to coordinate the requirements for the hydrologic modeling and other special analysis which may be required. At these meetings, the applicant should present an outline for the proposed MDP that includes a description of the proposed project, a schedule for preparation of the MDP, and a description of any known environmental or regulatory issues related to the proposal.

CED will review the components of the MDP as submitted, in a timely manner. The fees for review of the MDP will be determined from resources required (e.g., consultant, staff, and equipment) and will be billed to the applicant by the City of Renton. Review fees shall be paid by the applicant to the City prior to receiving MDP plan approval.

Following approval in concept of all of the MDP components, the applicant will submit four complete final MDP packages to CED for approval. Three copies will be kept by CED, and one copy will be returned to the applicant for their records.

Questions regarding the MDP review process should be directed to CED.

**APPENDIX C**  
**SIMPLIFIED DRAINAGE REQUIREMENTS**

**CITY OF RENTON**  
**SURFACE WATER**  
**DESIGN MANUAL**

**December 12, 2016**

*(This page intentionally left blank.)*

# APPENDIX C

## SIMPLIFIED DRAINAGE REQUIREMENTS



### CITY OF RENTON

# SURFACE WATER DESIGN MANUAL

Section	Page
<b>C.1 Simplified Drainage Review Requirements</b>	<b>C-7</b>
C.1.1 Procedure for Determining Requirements	C-8
C.1.2 Targeted Drainage Review Requirements	C-13
C.1.3 Application of On-site BMPs	C-16
C.1.4 Application of CSWPP Measures	C-24
C.1.5 Simplified Submittal Requirements	C-27
<b>C.2 On-Site BMPs</b>	<b>C-29</b>
C.2.1 Full Dispersion	C-29
C.2.2 Full Infiltration	C-44
C.2.3 Limited Infiltration	C-53
C.2.4 Basic Dispersion	C-54
C.2.5 Farmland Dispersion	C-63
C.2.6 Bioretention	C-63
C.2.7 Permeable Pavement	C-76
C.2.8 Rainwater Harvesting	C-88
C.2.9 Reduced Impervious Surface Credit	C-90
C.2.10 Native Growth Retention Credit	C-93
C.2.11 Perforated Pipe Connection	C-95
C.2.12 Rain Gardens	C-97
C.2.13 Soil Amendment	C-99
C.2.14 Tree Retention Credit	C-102
C.2.15 Vegetated Roofs	C-103
<b>C.3 Construction Stormwater Pollution Prevention (CSWPP) Measures</b>	<b>C-109</b>
C.3.1 Stabilized Construction Entrance	C-110
C.3.2 Mulching	C-112
C.3.3 Nets and Blankets	C-114
C.3.4 Plastic Covering	C-116
C.3.5 Mark Clearing Limits/Minimize Clearing	C-117
C.3.6 Silt Fence	C-117
C.3.7 Vegetated Strip	C-120
C.3.8 Triangular Silt Dike	C-120
C.3.9 Storm Drain Inlet Protection	C-121

C.3.10	Seeding	C-127
C.3.11	Sodding	C-129
C.3.12	Interceptor Dikes and Swales	C-130
C.3.13	Ditches	C-132
C.3.14	Pipe Slope Drain	C-134
C.3.15	Dewatering Control	C-135
C.3.16	Control of Other Pollutants (SWPPS)	C-136
<b>C.4</b>	<b>Simplified Drainage Plan Specifications</b>	<b>C-139</b>
C.4.1	Components of Simplified Drainage Plans	C-139
C.4.2	Specifications for Site Plans	C-141
C.4.3	BMP Design and Maintenance Details	C-145
C.4.4	Written Drainage Assessment	C-146
<b>C.5</b>	<b>Reference Section</b>	<b>C-149</b>
C.5.1	Simplified Drainage Review Process	C-149
C.5.2	Declaration of Covenant	C-151

# APPENDIX C

## SIMPLIFIED DRAINAGE REQUIREMENTS

The drainage requirements in this appendix are for residential *projects* that are subject to **Simplified Drainage Review** as determined in Section 1.1.2 of the *Surface Water Design Manual (SWDM)*. **Simplified Drainage Review** is a simplified alternative to the Full Drainage Review process normally conducted by the City as part of its review of permits to evaluate a project's compliance with the core and special requirements of the *SWDM*. The thrust of these requirements is to provide for mitigation and control of increased runoff and pollution from development sites. For larger developments, this typically involves engineering analysis and design of flow control facilities (e.g., detention ponds) to mitigate increased runoff, water quality treatment facilities (e.g., wetponds) to remove pollutants from the runoff, and erosion and sediment controls (ESC) to minimize the discharge of sediment-laden runoff and other pollutants during construction.

For projects in Simplified Drainage Review, required mitigation of runoff impacts can usually be achieved with measures that can be applied by a non-engineer. These include **on-site BMPs** (Best Management Practices) such as splash blocks or gravel trenches to disperse or infiltrate runoff from impervious areas, or reducing the amount of impervious area and preserving native vegetation. Such measures provide both flow and water quality mitigation. Also included are simpler **erosion and sediment control (ESC) measures** to prevent the discharge of sediment and other pollutants during construction. Examples of ESC measures include phasing or minimizing clearing, installing silt fences to contain sediment on site, and placing straw or other mulching materials on exposed soils. It also includes implementation of **stormwater pollution prevention and spill control (SWPPS)** practices applicable to specific construction activities such as proper use, handling, and storage of materials, chemicals, equipment, and fuel.

In most cases, the **Simplified Drainage Review** requirements in this appendix can be met with submittals prepared by contractors, architects, or homeowners without the involvement of a professional engineer. For more information on the **Simplified Drainage Review** process, see Section C.5.1.

### Why On-Site BMPs are Necessary

On undeveloped land, most rainwater soaks into the ground and flows slowly to nearby lakes and streams through the upper layers of soil. When that same area is cleared or covered with an impervious surface, the rainwater is no longer captured by dense vegetation and forest duff, but flows quickly and in greater quantities across the site and through pipes and channels to streams and lakes. Also, as it flows over developed surfaces (e.g., driveways, roads, lawns, and pastures), various pollutants generated by human uses of the land are picked up and carried downstream. The increased quantities of runoff from the site, when combined with increases from other sites, results in increased flooding and erosion of downstream properties and damage to aquatic areas habitat. And, the pollutants collected by the runoff degrade the water quality and habitat functions of streams, lakes, and wetlands. Larger developments address these

impacts by both storing the runoff in engineered flow control facilities (e.g., detention or infiltration ponds or vaults) that slowly release the runoff downstream and by treating the runoff in engineered water quality facilities (e.g., wet ponds, biofiltration swales, or sand filters) and by application of on-site BMPs to maximum extent feasible.

Controlling flows from smaller projects is just as important as controlling flows from large developments, because the cumulative effect of uncontrolled flows from many small projects can be equivalent to those from a single large project. For projects that qualify as **Simplified Drainage Review** projects, however, engineered flow control facilities may not be practicable or even warranted if the quantity of runoff from developed surfaces can be minimized, dispersed, or otherwise infiltrated onsite through the use of on-site BMPs. The same holds true for water quality facilities. While the primary focus of on-site BMPs is to mitigate increased runoff quantities, they are also effective in mitigating increased pollution generated by developed surfaces.

### **Construction Stormwater Pollution Prevention (CSWPP), and Why CSWPP Is Necessary**

Construction stormwater pollution prevention (CSWPP) is the combined strategies of ESC and SWPPS to control pollutants on construction sites. ESC measures are necessary because land disturbing activity associated with clearing and grading exposes a site's soils to erosion by stormwater. The soil eroded from disturbed areas is referred to as *sediment*, which is washed downstream and deposited in pipes, ditches, streams and lakes. Sediment deposited in a pipe or ditch reduces its capacity to convey flows and can increase the likelihood of flooding. Sediment deposited in streams clog the gravels that salmon use for spawning. Nutrients contained in the eroded soil that reach lakes can upset the chemical balance of the lake, causing excessive growth of algae, milfoil, and other plants, and decreasing recreational uses such as swimming, boating, and fishing. ESC measures are typically used during construction to prevent soil erosion and/or transport of sediment downstream until the site can be stabilized with vegetation cover/landscaping. Other construction activities such as the use, handling, and storage of materials, chemicals, equipment, and fuel can result in contaminants coming into contact with stormwater and potentially washed downstream. Therefore, stormwater pollution prevention and spill control (SWPPS) measures applicable to specific construction activities need to be implemented to avoid the discharge of pollutants from the construction site.

### **Utility of Appendix C**

For projects in **Simplified Drainage Review**, this appendix outlines the drainage requirements, on-site BMPs, and CSWPP measures necessary to mitigate the stormwater impacts of development without the construction of expensive stormwater facilities (i.e., flow control and water quality facilities). For projects in Full Drainage Review or other types of drainage review, the on-site BMPs contained in this appendix are referenced for application to any size or type of project as specified in the *SWDM*. In fact, because flow control facilities cannot mitigate all the impacts from developed surfaces, on-site BMPs are required on all projects in drainage review regardless of whether stormwater facilities are required (see *SWDM* Core Requirement #9, Section 1.2.9, "On-site BMPs").

### **Organization of Appendix C**

The information presented in this appendix is organized into five main sections as follows:

- Section C.1, "Simplified Drainage Review Requirements"
- Section C.2, "On-Site BMPs"
- Section C.3, "Construction Stormwater Pollution Prevention (CSWPP) Measures"
- Section C.4, "Simplified Drainage Plan Specifications"
- Section C.5, "Drainage Review"



## Definitions of Key Terms

Proper application of the **Simplified Drainage Review** requirements in this appendix requires an understanding of the following key terms and their definitions. These terms are highlighted in ***bold italic*** throughout Appendix C. Other important terms are defined in the text when they are first introduced. These are highlighted in italic when they are first introduced but are not highlighted throughout the appendix as are key terms.

***Civil engineer*** means a person licensed by the State of Washington as a professional engineer in civil engineering.

***Engineering geologist*** means a person licensed by the State of Washington as a geologist specializing in evaluating geologic site characteristics to determine the responses of geologic processes and materials to development activities, such as removal of vegetation; construction activities such as earthwork; applying loads in foundations and embankments; use of earth materials in construction; and modifying ground water flow.

***Erosion hazard area*** is the critical area<sup>1</sup> designation, defined and regulated in RMC 4-3-050, that is applied to areas underlain by soils that are subject to severe erosion when disturbed. Refer to the City of Renton Map Gallery for a map of erosion hazard areas (<http://rentonwa.gov/government/default.aspx?id=29885>) or view via COR Maps (<http://rp.rentonwa.gov/SilverlightPublic/Viewer.html?Viewer=COR-Maps>).

***Flood hazard area*** is the critical area designation, defined and regulated in RMC 4-3-050, that is applied to areas subject to flooding. Refer to the City of Renton Map Gallery for a map of flood hazard areas (<http://rentonwa.gov/government/default.aspx?id=29885>) or view via COR Maps (<http://rp.rentonwa.gov/SilverlightPublic/Viewer.html?Viewer=COR-Maps>).

***Geotechnical engineer*** means a civil engineer licensed by the State of Washington who has at least four years of professional employment as a geotechnical engineer in responsible charge, including experience with landslide evaluation. Geotechnical engineers specialize in the design and construction aspects of earth materials.

***Impervious surface*** means a non-vegetated surface area that either prevents or retards the entry of water into the soil mantle as under natural conditions before development; or that causes water to run off the surface in greater quantities or at an increased rate of flow compared to the flow present under natural conditions prior to development (see also “*new impervious surface*”). Common impervious surfaces include, but are not limited to, roof, walkways, patios, driveways, parking lots, or storage areas, areas that are paved, graveled or made of packed or oiled earthen materials or other surfaces that similarly impede the natural infiltration of surface water or stormwater. For the purposes of applying the impervious surface thresholds and exemptions contained in this manual, permeable pavement, vegetated roofs, and underdrained pervious surfaces are considered impervious surface while an open uncovered flow control or water quality facility is not. However, for the purposes of computing runoff, uncovered flow control or water quality facilities shall be modeled as impervious surfaces as specified in Chapter 3.

***Land disturbing activity*** means any activity that results in a change in the existing soil cover, both vegetative and non-vegetative, or the existing soil topography. Land disturbing activities include, but are not limited to demolition, construction, clearing, grading, filling, excavation, and compaction. Land disturbing activity does not include tilling conducted as part of agricultural practices, landscape maintenance, or gardening.

<sup>1</sup> Footnote 1 is not used.

**Landslide hazard** is the critical area designation, defined and regulated in RMC 4-3050, that is applied to areas subject to risk of landslide due to topography, soil conditions, and geology. Refer to the City of Renton Map Gallery for a map of landslide hazards (<http://rentonwa.gov/government/default.aspx?id=29885>) or view via COR Maps (<http://rp.rentonwa.gov/SilverlightPublic/Viewer.html?Viewer=COR-Maps>).

**Native vegetated surface** means a surface in which the soil conditions, ground cover, and species of vegetation are like those of the original native condition for the *site*. More specifically, this means (1) the soil is either undisturbed or has been treated according to the “native vegetated landscape” specifications in Appendix C, Section C.2.1.8; (2) the ground is either naturally covered with vegetation litter or has been top-dressed between plants with 4 inches of mulch consistent with the native vegetated landscape specifications in Appendix C; and (3) the vegetation is either (a) comprised predominantly of plant species, other than noxious weeds, that are indigenous to the coastal region of the Pacific Northwest and that reasonably could have been expected to occur naturally on the *site* or (b) comprised of plant species specified for a native vegetated landscape in Appendix C. Examples of these plant species include trees such as Douglas fir, western hemlock, western red cedar, alder, big-leaf maple and vine maple; shrubs such as willow, elderberry, salmonberry and salal; and herbaceous plants such as sword fern, foam flower, and fireweed.

**New impervious surface** means the addition of a man-made, modified, or compacted surface like roofs, pavement, gravel, or dirt; or the addition of a more compacted surface, such as resurfacing by upgrading from dirt to gravel, asphalt, or concrete; upgrading from gravel to asphalt, or concrete; or upgrading from a bituminous surface treatment (“chip seal”) to asphalt or concrete. Permeable pavement and vegetated roofs are considered new impervious surface for purposes of determining whether the thresholds for application of minimum design requirements are exceeded, as are lawns, landscaping, sports fields, golf courses, and other areas that have modified runoff characteristics resulting from the addition of underdrains designed to collect stormwater runoff. Open, uncovered retention/detention facilities shall not be considered impervious surfaces for purposes of determining whether the thresholds for application of minimum design requirements are exceeded. Open, uncovered retention/detention facilities shall be considered impervious surfaces for purposes of runoff modeling.

**New pervious surface** means the conversion of a native vegetated surface or other native surface to a nonnative pervious surface (e.g., conversion of forest or meadow to pasture land, grass land, cultivated land, lawn, landscaping, bare soil, etc.), or any alteration of existing nonnative pervious surface that significantly increases surface and storm water runoff (e.g., conversion of pasture land, grass land, or cultivated land to lawn, landscaping, or bare soil; or alteration of soil characteristics).

**On-site BMP** means a small scale drainage facility or feature that is part of a development site strategy to use processes such as infiltration, dispersion, storage, evaporation, transpiration, forest retention, and reduced impervious surface footprint to mimic pre-developed hydrology and minimize stormwater runoff.

**Pollution-generating impervious surface** means an impervious surface considered to be a significant source of pollutants in stormwater runoff. Such surfaces include those that are **subject to: vehicular use**, industrial activities, or storage of **erodible or leachable materials, wastes, or chemicals** and that receive direct rainfall or the run-on or blow-in of rainfall. A covered parking area would be considered PGIS if runoff from uphill could regularly run through it or if rainfall could regularly blow in and wet the pavement surface. Metal roofs are also considered PGIS unless they are coated with an inert, non-leachable material (see Reference Section 11-E). PGIS includes roofs that are exposed to the venting of significant amounts of dusts, mists, or fumes from manufacturing, commercial, or other indoor activities. PGIS includes vegetated roofs exposed to pesticides, fertilizers, or loss of soil. Other roofing types that may pose risk but are not currently regulated are listed in Reference Section 11-E. Lawns, landscaping, sports fields, golf courses, and other areas that have modified runoff characteristics resulting from the addition of underdrains that have the pollution generating

characteristics described under the “pollution-generating pervious surface” definition are also considered *PGIS*.

***Pollution-generating pervious surface (PGPS)*** means a non-impervious surface considered to be a significant source of pollutants in surface and storm water runoff. Such surfaces include those that are *subject to vehicular use*, industrial activities, storage of *erodible or leachable materials, wastes, or chemicals*, and that receive direct rainfall or the run-on or blow-in of rainfall; or subject to use of pesticides and fertilizers, or loss of soil. Such surfaces include, but are not limited to, the lawn and landscaped areas of residential, commercial, and industrial sites or land uses, golf courses, parks, sports fields (natural and artificial turf), cemeteries, and grassed modular grid pavement.

***Project site*** means that portion of a *site* and any offsite areas subject to proposed project activities, alterations, and improvements including those required by this appendix.

***Rain garden*** means a shallow, landscaped depression with compost-amended native soils and adapted plants. The depression is designed to pond and temporarily store stormwater runoff from adjacent areas, and to allow stormwater to pass through the amended soil profile. Rain gardens can only be used to meet Core Requirement #9.

***Replaced impervious surface*** means any existing impervious surface on the *project site* that is proposed to be removed and re-established as impervious surface, excluding impervious surface removed for the sole purpose of installing utilities or performing maintenance on underground infrastructure. For structures, *removed* means the removal of buildings down to the foundation. For other impervious surfaces, *removed* means the removal down to base course or bare soil. It does not include the removal of pavement material through grinding or other surface modification unless the entire layer of PCC or AC is removed. Replaced impervious surface also includes impervious surface that is moved from one location to another on the project site where the following two conditions are met: (A) runoff characteristics and volumes remain the same or are improved in the area where the existing impervious surface is removed, and (B) impervious surface at the new location is either designated as non-pollution generating or the pollution generating characteristics remain unchanged compared to that of the original location. ***Single family residential project*** means any project that (a) constructs or modifies a single family dwelling unit, (b) makes improvements (e.g., driveways, roads, outbuildings, play courts, etc.) or clears native vegetation on a lot that contains or will contain a single family dwelling unit, or (c) is a plat, short plat, or boundary line adjustment that creates or adjusts lots that will contain single family dwelling units.

***Site*** (a.k.a. *development site*), as used in this appendix, means a single parcel, or either: two or more contiguous parcels that are under common ownership or documented legal control or a portion of a single parcel under documented legal control separate from the remaining parcel, used as a single parcel for a proposed project for purposes of applying for authority from the City to carry out a proposed project. For projects located primarily within dedicated rights-of-way, the length of the project site and the right-of-way boundaries define the site.

***Steep slope hazard area*** is the critical area designation, defined and regulated in RMC 4-3-050, that is applied to areas where extra protection of sensitive slopes is required. Refer to the City of Renton Map Gallery for a map of steep slope hazard areas (<<http://rentonwa.gov/government/default.aspx?id=29885>>).

***Target impervious surface*** means that portion of a *site's* existing, new, and replaced impervious surface from which runoff impacts are required to be mitigated by a particular set of drainage requirements (on-site BMPs in this appendix). . *Note: any impervious surface on the site other than target impervious surface may be mitigated by on-site BMPs in trade for not mitigating an equivalent-sized area of target impervious surface.*

***Target pervious surface*** means all areas subject to clearing and grading that have not been covered by an *impervious surface*, incorporated into a drainage facility, or engineered as structural fill or slope.

*(This page intentionally left blank.)*

## C.1 SIMPLIFIED DRAINAGE REVIEW REQUIREMENTS

### Threshold

Simplified Drainage Review is required for any *single family residential project* that will result in 2,000 square feet<sup>2</sup> or more of *new impervious surface*, *replaced impervious surface*, or *new plus replaced impervious surface*, or 7,000 square feet or more of *land disturbing activity*, AND that meets the following criteria:

The project will result in less than 5,000 square feet of new plus replaced *pollution generating impervious surface*, result in less than  $\frac{3}{4}$  acre of new *pollution generating pervious surfaces*, AND meets one of the following three additional criteria:

1. The project meets the Basic Exemption from flow control in Core Requirement #3 a) the project results in less than 5,000 square feet of *new plus replaced impervious surface*, AND b) less than  $\frac{3}{4}$  acres of *new pervious surface* will be added. *Note the Basic Exemption thresholds are applied by project site.*
2. For projects on predominately till soils:  
The project results in no more than 7,947 square feet of *target impervious surfaces* (see below) as defined in Section 1.1.2.1 AND proposed pervious area is equal to or less than 14,941 – 1.88 x (total *target impervious surfaces*).
3. For projects on predominately outwash soils:  
The project results in no more than 6,872 square feet of *target impervious surfaces* (see below) as defined in Section 1.1.2.1 AND proposed pervious area is equal to or less than 20,343 – 2.96 x (total *target impervious surfaces*).

### Determination of Target Impervious Surface

- If the project is a New Development project,  
*then target impervious surfaces include new plus proposed replaced impervious surface.*
- If the project is a Redevelopment project where
  - New impervious surface is less than 5,000 square feet *or*
  - Valuation of improvements is less than 50% of the **assessed value** of the existing site improvements.

*then target impervious surfaces include new impervious surface.*
- If the project is a Redevelopment project where
  - New impervious surface is greater than or equal to 5,000 square feet *and*
  - Valuation of improvements is greater than or equal to 50% of the **assessed value** of the existing site improvements

*then target impervious surfaces include new plus proposed replaced impervious surface.*

*Note: for the purposes applying this threshold to a proposed single family residential subdivision (i.e., plat or short plat project), the impervious surface coverage assumed on each created lot shall be 4,000 square feet or the maximum allowed by RMC 4-6-030, whichever is less. A lower impervious surface coverage*

<sup>2</sup> The thresholds of 2,000 and 7,000 square feet shall be applied by project site. All other thresholds specified in terms of square feet of impervious or pervious surface shall be applied by **threshold discharge area** and in accordance with the definitions of these surfaces in the preamble to Section C.1 above. *Note: the calculation of total impervious surface may exclude any such added impervious surface that is confirmed by CED staff to be already mitigated by a City approved and inspected flow control facility or on-site BMP.*

may be assumed for any lot in which the lower impervious surface coverage is set as the maximum through a declaration of covenant recorded for the lot. Also, the **new pervious surface** assumed on each created lot shall be the entire lot area, except the assumed impervious portion and any portion in which native conditions are preserved by a clearing limit per RMC IV, a covenant or easement recorded for the lot, or a tract dedicated by the proposed subdivision.

All projects subject to Simplified Drainage Review must comply with the following two basic mitigation requirements in this appendix:

1. Apply **on-site BMPs** to developed surfaces as directed in Section C.1.3, and
2. Apply **erosion and sediment control (ESC) measures** to disturbed areas during construction and applicable **stormwater pollution prevention and spill control (SWPPS)** measures as directed in Section C.1.4.

To show how these requirements will be met, project applicants must submit drainage plans and supporting documentation as directed in Section C.1.5.

In addition, some Simplified drainage review projects may have *site*-specific or project-specific drainage concerns or requirements that must be addressed by a *civil engineer* or City engineering review staff. Examples include the presence of flood, erosion, or landslide hazards on or near the *site*, safe conveyance of stormwater through the *site*, and application of special drainage requirements. The City will identify any such issues during **Simplified Drainage Review** and will require a separate **Targeted Drainage Review** in addition to **Simplified Drainage Review** to address them (see Section C.1.2). This may require the additional submittal of *site* information, reports, and/or engineering plans signed and stamped by a *civil engineer*. For more information on how **Targeted Drainage Review** relates to **Simplified Drainage Review**, see Section C.5.1.

Use Section C.1.1 (below) to determine the scope of requirements, if any, that must be addressed by a *civil engineer* and/or City engineering review staff under **Targeted Drainage Review**, and learn where to look to determine the scope of requirements for application of on-site BMPs and CSWPP measures and submittal of information necessary for **Simplified Drainage Review**.

## C.1.1 PROCEDURE FOR DETERMINING REQUIREMENTS

The following questionnaire/flow chart (Table C.1.1.A) is intended to be a guide for determining the scope of requirements that will apply to a project in **Simplified Drainage Review**, and **Targeted Drainage Review** if applicable. It will refer or direct you to more specific information on the application of requirements found in subsequent subsections, and in some cases, City of Renton Municipal Code.

No.	Question	If YES	If NO
1.	Is the proposed project subject to drainage review as determined by consulting CED <sup>3</sup> or Section 1.1.1 of the SWDM?	Go to the next question.	The project does not need to meet the requirements of the SWDM or this appendix.

<sup>3</sup> CED means the City of Renton Department of Community and Economic Development, which is the department responsible for conducting drainage review of proposed projects that are subject to a City of Renton development permit or approval. Applicants for a permit or approval should contact CED staff prior to submittal to determine/confirm that drainage review is required, and if so, what type of drainage review is appropriate. Applicants may also arrange a predesign meeting with CED review staff to confirm the type of drainage review and scope of drainage requirements that apply to the proposed project.

<b>TABLE C.1.1.A QUESTIONNAIRE/FLOW CHART FOR DETERMINING REQUIREMENTS</b>			
<b>No.</b>	<b>Question</b>	<b>If YES</b>	<b>If NO</b>
2.	Is the project subject to Simplified Drainage Review as determined in Section C.1 and confirmed with CED?	Step through the following questions to (1) determine the scope of requirements, if any, that must be addressed by a <b>civil engineer</b> and/or CED under Targeted Drainage Review, and (2) learn where to look to determine the scope of requirements for application of on-site BMPs and CSWPP measures and submittal of information necessary for Simplified Drainage Review.	Directed Drainage Review, Full Drainage Review, Targeted Drainage Review, or Large Project Drainage Review is required as specified in the <i>SWDM</i> , and engineering plans signed and stamped by a <b>civil engineer</b> must be submitted to CED. Use the <i>SWDM</i> and not this appendix to determine drainage review requirements.
3.	Does the <b>site</b> contain or is it adjacent to a <b>flood hazard</b> as determined by CED through a “critical area review” per RMC Title IV?	A notice on title will be required and any proposed structures or substantial improvements within the 100-year floodplain will require a FEMA Elevation Certificate completed by a <b>civil engineer</b> or <b>land surveyor</b> . See Section C.1.2.1 for further details. Go to the next question.	Skip to Question 7.
4.	Has the 100-year floodplain boundary and <i>base flood elevation</i> <sup>4</sup> been determined for the <b>flood hazard</b> based on available flood hazard data and deemed acceptable by CED in accordance with RMC 4-3-050?	The floodplain boundary and base flood elevation must be shown on the project’s <b>site</b> plans and on the face of any recorded documents if the project is a subdivision. See Section C.1.2.1 for further details. Go to the next question.	A floodplain study in accordance with Section 4.4.2 of the <i>SWDM</i> must be completed by a <b>civil engineer</b> (or authorized agency) to determine the appropriate floodplain boundary and base flood elevation that will be used by CED to evaluate the proposed project’s compliance with the <b>flood hazard</b> development standards in RMC 4-3-050. See Section C.1.2.1 for further details and requirements. Go to the next question.

<sup>4</sup> *Base flood elevation* is the elevation of the 100-year floodplain, at the **project site**, that has been determined in accordance with the standards in RMC 4-3-050.

<b>TABLE C.1.1.A QUESTIONNAIRE/FLOW CHART FOR DETERMINING REQUIREMENTS</b>			
<b>No.</b>	<b>Question</b>	<b>If YES</b>	<b>If NO</b>
5.	Is the <b>project site</b> portion of the <b>site</b> located on land that is entirely outside of the 100-year floodplain boundary and above the base flood elevation determined in Question 1?	Go to the next question.	The <b>project site</b> must be relocated to land that is outside of the 100-year floodplain and above the base flood elevation, or a <b>civil engineer</b> must evaluate and modify the project as needed to comply with the standards in RMC 4-3-050 for development within the floodplain. This may require a major floodplain study in accordance with Section 4.4.2 of the <i>SWDM</i> to determine the floodway boundary of the <b>flood hazard</b> . See Section C.1.2.1 for further details and requirements. Go to the next question.
6.	Has a <i>channel migration zone</i> <sup>5</sup> been mapped by King County for the <b>flood hazard</b> ?	This question does not apply to projects in the City. Go to the next question.	This question does not apply to projects in the City. Go to the next question.
7.	Does the <b>site</b> contain or is it adjacent to an <b>erosion hazard area</b> as determined by CED through a “critical area review” per RMC Title IV?	CED may require additional flow control or ESC measures designed by a <b>civil engineer</b> to avoid impacts to these areas. See Section C.1.2.2 for further details. Go to the next question.	Go to the next question.
8.	Does the <b>site</b> contain or is it adjacent to a <b>steep slope hazard area</b> or <b>landslide hazard</b> as determined by CED through a “critical area review” per RMC Title IV?	CED will review the project for compliance with the development standards for these hazard areas as specified in RMC 4-3-050. CED must approve all drainage systems for the project and may require a geotechnical analysis. A tightline designed by a <b>civil engineer</b> may be required to safely convey any concentrated runoff through the hazard area. See Section C.1.2.3 for further details. Go to the next question.	Go to the next question.

<sup>5</sup> Footnote 5 is not used.



<b>TABLE C.1.1.A QUESTIONNAIRE/FLOW CHART FOR DETERMINING REQUIREMENTS</b>			
<b>No.</b>	<b>Question</b>	<b>If YES</b>	<b>If NO</b>
9.	Is the project located in an <b>Aquifer Protection Area</b> , a basin planning area, community planning area, and/or other area with adopted area-specific drainage requirements AND does the project exceed the minimum thresholds for these drainage requirements as determined by CED (see Section C.1.2.4)?	The project must meet the Aquifer Protection Area and/or area-specific drainage requirements, some of which may require drainage systems or measures designed by a <b>civil engineer</b> . CED will determine which requirements are applicable and if engineering plans signed and stamped by a <b>civil engineer</b> are required. Go to the next question	Go to the next question.
10.	Is the project proposing 1 acre or more of <b>land disturbing activity</b> (see Section C.1.2.5)?	CSWPP plans signed and stamped by a <b>civil engineer</b> are required to address compliance with the ESC standards for larger projects specified in the <i>SWDM</i> . Go to the next question.	Go to the next question.
11.	Is the project proposing to construct or modify a drainage pipe or ditch that is 12 inches or more in diameter/depth, or does the <b>project site</b> receive surface or storm water from a drainage pipe or ditch that is 12 inches or more in diameter/depth (see Section C.1.2.6)?	Engineering plans signed and stamped by a <b>civil engineer</b> are required to address compliance with the Targeted Drainage Review requirements pertaining to constructed or modified conveyance systems in the <i>SWDM</i> . Go to the next question.	Go to the next question.
12.	Are there any other drainage features onsite (swales, ditches, etc.) that may impact the proposed project or downstream properties or be impacted by the project?	Engineering analysis by a <b>civil engineer</b> may be required. CED staff will need to assess features. Go to the next question.	Go to the next question.

<b>TABLE C.1.1.A QUESTIONNAIRE/FLOW CHART FOR DETERMINING REQUIREMENTS</b>			
<b>No.</b>	<b>Question</b>	<b>If YES</b>	<b>If NO</b>
13.	Is the proposed project on a <i>site/lot</i> smaller than 22,000 square feet?	<p>Apply on-site BMPs in accordance with the Small Lot BMP Requirements in Section C.1.3.1 and the On-Site BMP Implementation Requirements in Section C.1.3.4.</p> <p>Apply ESC and SWPPS measures in accordance with Section C.1.4.</p> <p>Comply with the Simplified submittal requirements in Section C.1.5.</p>	<p>Apply on-site BMPs in compliance with the Large Lot BMP Requirements in Section C.1.3 and the On-Site BMP Implementation Requirements in Section C.1.3.4.</p> <p>Apply ESC and SWPPS measures in accordance with Section C.1.4.</p> <p>Comply with the Simplified submittal requirements in Section C.1.5.</p>

## C.1.2 TARGETED DRAINAGE REVIEW REQUIREMENTS

**Targeted Drainage Review** is usually required in addition to **Simplified Drainage Review** for any projects that have one or more of the following characteristics as determined by CED:

- The project's drainage or improvements may impact or be impacted by the presence of certain critical areas (i.e., streams, lakes, wetlands, *aquifer protection areas*, *flood hazard areas*, *erosion hazard areas*, *steep slope hazard areas*, and *landslide hazards*).
- The project is subject to additional drainage requirements by virtue of its location in areas where special drainage requirements have been adopted.
- The project proposes 1 acre or more of *land disturbing activity*.
- The project proposes to construct or modify a drainage pipe/ditch that is 12 inches or more in size or depth or receives runoff from a drainage pipe/ditch that is 12 inches or more in size or depth.
- The project has other concerns that require evaluation, analysis, and/or design by *civil engineer*.

For some projects in **Targeted Drainage Review**, CED review staff may be able to address some of the above concerns/requirements without a *civil engineer* through approval of the on-site BMPs/CSWPP measures in this appendix combined with increased setbacks, geotechnical review, or permit approval conditions. In other cases, a *civil engineer* will be required to address specific requirements in the *SWDM* and submit engineering plans.

*Note: Targeted Drainage Review is not a substitute for a Critical Area Review. Simplified Drainage Review project proposals are not exempted from applicable requirements of RMC 4-3-050 (critical areas regulations) including critical area reports, notices on title, buffers, building setbacks, and development standards/alterations.*

### C.1.2.1 FLOOD HAZARD AREAS

Some **Simplified Drainage Review** projects may be on *sites* that contain or are adjacent to a **flood hazard area** for a stream, lake, wetland, *closed depression*,<sup>6</sup> marine shoreline, or other water feature as determined by CED through a critical area review. If the project is on such a *site*, the 100-year **floodplain boundary** and **base flood elevation**, at a minimum, must be determined and shown on the project's *site* plans<sup>7</sup> and on the face of any recorded documents for a subdivision. The floodplain and base flood elevation may be identified from an **already completed 100-year floodplain study** approved by CED in accordance with RMC 4-3-050. Examples of approved floodplain studies include the Federal Emergency Management Agency (FEMA) mapping of the 100-year floodplain and base flood elevation, and floodplain mapping completed by the King County Department of Natural Resources, Water and Land Resources Division (WLRD).

If an **approved floodplain study does not exist** for the *site*, one must be prepared by a *civil engineer* in accordance with the methods and procedures in Section 4.4.2 of the *SWDM*. For some *sites*, if the *project site* is at least 10 feet above the ordinary high water mark or 2 feet above the downstream overflow elevation of a water feature, a Simplified study per Section 4.4.2 may be used to identify an "approximate" floodplain boundary and base flood elevation. In some cases, CED review staff, in lieu of a *civil engineer*, may identify this approximate floodplain boundary and base flood elevation based on elevation information provided by the applicant's *land surveyor*.<sup>8</sup>

<sup>6</sup> *Closed depression* means an area greater than 5,000 square feet at overflow elevation that is low-lying and that has no or such a limited surface water outlet that the area acts as a stormwater retention facility. The primary loss of water volume from a closed depression is through evapotranspiration and discharge into the ground rather than surface flow.

<sup>7</sup> *Note: for single family residential permits, CED may waive the requirement for floodplain delineation on the site plan, provided the plan notes that a floodplain exists and indicates the base flood elevation.*

<sup>8</sup> *Land surveyor* means a person licensed by the State of Washington as a professional land surveyor.

If any portion of the project is within the 100-year floodplain, the 100-year **floodway** boundary must also be determined and shown on the project's *site* plans and on the face of any recorded documents for a subdivision. As with the floodplain boundary and base flood elevation, a floodplain study may be required in accordance with Section 4.4.2 of the *SWDM* to determine the floodway if one has not already been completed and approved by CED for the *site*.

CED uses all of the **flood hazard area information** determined above to review a project for compliance with FEMA regulations and the City's **flood hazard area** regulations in RMC 4-3-050. If CED staff determines that the proposed project meets these regulations for building in or near a floodplain, the permit may be approved with specific conditions to ensure the project does not impact the floodplain and that a flood will have minimal impact on the **project site**. Examples of conditions could include:

- Building on a portion of the *site* where the existing ground is higher than the 100-year flood elevation,
- Building within the flood fringe using a pier or pile foundation to provide unrestricted flow through the foundation area,
- Placing no fill within any portion of the floodplain without providing equivalent compensating storage.

For permits proposing a building within the 100-year floodplain, a "**FEMA Elevation Certificate**" must be completed by a **civil engineer** or **land surveyor** and submitted to CED after the foundation is constructed but prior to the framing approval. The certificate documents the elevation of the lowest finished floor of the building as determined by or under the direction of a **civil engineer** or **land surveyor**. This certificate is often required by mortgage companies, and it helps the homeowner obtain proper flood insurance and maintain accurate insurance ratings for flood-prone areas.

Prior to permit approval (or in the case of a subdivision, at or before recording), a **notice on title** must be recorded for the *site* (or the individual lots of a subdivision). The notice on title must note that a **flood hazard area** exists and that no fill or alteration is allowed within the **flood hazard area**. The base flood elevation must also be noted.

If CED staff determines that the proposed project does not meet FEMA or City regulations for building in or near a floodplain, the applicant may be required to hire a **civil engineer** to address compliance with these regulations. If the **project site** is partially or fully located in the mapped 100-year floodway, the permit may be denied as federal and City regulations prohibit building structures in the floodway.

### C.1.2.2 EROSION HAZARD AREAS

Some projects may drain to or are on *sites* that contain an **erosion hazard area**, which is a critical area defined and regulated in RMC 4-3-050. Vegetation removal and grading make **erosion hazard areas** prone to erosion and sediment transport, and the *point discharge*<sup>9</sup> of stormwater runoff can cause erosion in such areas even if they are well vegetated. Projects in Simplified Drainage Review that are determined to drain to these areas may be required to provide additional on-site BMPs or other measures that must be engineered. If flow control and erosion and sediment control cannot be adequately addressed by the on-site BMPs and ESC measures in this appendix, CED may require a **civil engineer** to provide a *site*-specific construction sequence and engineered site improvement/ESC plans.

### C.1.2.3 STEEP SLOPE AND LANDSLIDE HAZARDS

Some projects may drain to or are on *sites* that contain or are adjacent to a **steep slope hazard area** or a **landslide hazard**. Storm runoff not properly controlled can cause erosion, landslides, raveling, and instability. Point discharge of runoff is not allowed near or onto these areas. On-site BMPs may be allowed if installed according to the design requirements and specifications in Section C.2.

---

<sup>9</sup> *Point discharge* means a concentrated flow from a pipe, ditch, or other similar drainage feature.

All drainage systems on or near **steep slope hazard areas** or **landslide hazard** must be approved by CED.

If on-site BMPs are not adequate to prevent adverse impacts to a **steep slope hazard area** or **landslide hazard** as determined by the CED, a *tightline*<sup>10</sup> may be constructed to convey the runoff to a stable discharge point with adequate energy dissipation. The location of the discharge point must be onsite or within a drainage easement or public right-of-way. The tightline must conform to the materials and design requirements of Section 4.2 of the *SWDM* and must be approved by a **geotechnical engineer, engineering geologist**, or CED.

Tightlines typically require design by a **civil engineer** in accordance with Section 4.2.2.1 of the *Surface Water Design Manual*. However, for a simple installation serving one lot, CED may provide a standardized design if they determine that the standardized tightline and energy dissipation system is appropriate.

*Note: For most projects in Simplified Drainage Review with less than 10,000 square feet of impervious surface, the tightline system may be constructed using 6-inch diameter solid wall polyethylene (solid wall PE) pipe with a standard outfall. See Figure 4.2.2.D of the SWDM for an example tightline outfall.*

#### C.1.2.4 ADOPTED AREA-SPECIFIC DRAINAGE REQUIREMENTS

Some projects may be subject to additional drainage requirements and/or engineering analysis by virtue of their location in an area subject to aquifer protection, or where special drainage requirements have been adopted via a basin plan, salmon conservation plan, stormwater compliance plan, lake management plan, flood hazard reduction plan, etc. Projects located in such areas must comply with these requirements if the requirements are more stringent than the requirements of this appendix as determined by CED.

Aquifer Protection Areas (APA) are identified in RMC 4-3-050. If a proposed project is located within the APA, Special Requirement #6 in Section 1.3.6 of the *SWDM* applies. Reference Section 15-B includes a map of the City's Aquifer Protection Area, Zones 1 and 2.

Engineering analysis and/or engineering plans signed and stamped by a **civil engineer** may be required to comply with these requirements or show that the project is exempt or below the threshold for application of specific requirements. CED staff will determine which requirements apply and the extent of engineering analysis required. When engineering analysis shows that a requirement threshold will not be exceeded, the project's applicant, contractors, and inspectors must be notified of any actions or limitations necessary to prevent that threshold from being exceeded.

#### C.1.2.5 ONE ACRE OR MORE OF LAND DISTURBING ACTIVITY

Projects in **Simplified Drainage Review** that are proposing 1 acre or more of **land disturbing activity** typically necessitate more expert attention to required ESC and SWPPS pollution prevention measures. Consequently, a construction stormwater pollution prevention (CSWPP) plan will need to be prepared in accordance with the CSWPP plan requirements for larger projects specified in Chapter 2 of the *SWDM*. In order to comply with these requirements, an engineered CSWPP plan and limited scope Technical Information Report (TIR) signed and stamped by a **civil engineer** will be required. CED may waive this requirement if the **site's** topography is such that no more than 1 acre of disturbed area will drain to one location.

#### C.1.2.6 PIPES/DITCHES TWELVE INCHES OR MORE IN SIZE/DEPTH

Projects in **Simplified Drainage Review** that propose to construct or modify a drainage pipe that is 12 inches or more in size or a ditch that is 12 inches or more in depth, or modify a drainage pipe/ditch that receives runoff from a drainage pipe/ditch that is 12 inches or more in size/depth, must submit engineering

<sup>10</sup> *Tightline* means a continuous length of pipe that conveys water from one point to another (typically down a steep slope) with no inlets or collection points in between.

plans meeting the requirements outlined for Targeted Drainage Review Category #2 (see Section 1.1.2.2 of the *SWDM*). This requirement may be waived by CED for driveway culverts less than 25 feet in length that match downstream and upstream culvert sizes.

### C.1.3 APPLICATION OF ON-SITE BMPS

*On-site BMPs* are methods and designs for dispersing, infiltrating, or otherwise reducing or preventing development-related increases in runoff at or near the sources of those increases. On-site BMPs include, but are not limited to, preservation and use of *native vegetated surfaces* to fully disperse runoff; use of other pervious surfaces to disperse runoff; roof downspout infiltration; permeable pavements; bioretention; and reduction of development footprint.

For projects subject to **Simplified Drainage Review**, the application of on-site BMPs is mandatory. For individual lot projects, on-site BMPs must be applied as specified by one of the following three sets of BMP requirements, whichever is applicable based on the size of *site/lot*, the extent of impervious surface coverage resulting from the project on the *site/lot*, and the location of the project:

- Small Lot BMP Requirements (for *sites/lots* <22,000 square feet), Section C.1.3.1
- Large Lot BMP Requirements (for *sites/lots* ≥22,000 square feet), Section C.1.3.2

These requirements specify both the order of preference for selection of on-site BMPs and their extent of application to the developed surfaces of an **individual lot project**. The implementation of on-site BMPs by projects on the individual *site/lot* must be in accordance with the “On-site BMP Implementation Requirements” detailed in Section C.1.3.4.

On-site BMP requirements for **subdivision projects** and **projects within rights-of-way** (e.g., road improvements) are detailed in Section 1.2.9 of the *SWDM*.

#### ❑ EVALUATING WHETHER A BMP IS REQUIRED: INFEASIBILITY AND COMPETING NEEDS

Proper application of the requirements is intended to result in on-site BMPs implemented to the *maximum extent feasible* on the *site/lot*. Whether a BMP is considered feasible or not is determined by evaluation of specific criteria provided for each BMP in the detailed BMP sections of this manual. In addition to a determination of infeasibility, a BMP may not be required if implementation of the BMP would be in conflict with:

- Requirements of the following federal or state laws, rules, and standards: Historic Preservation Laws and Archaeology Laws as listed at <<http://www.dahp.wa.gov/learn-and-research/preservation-laws>>, Federal Superfund or Washington State Model Toxics Control Act, Federal Aviation Administration requirements for airports, Americans with Disabilities Act.
- Where a BMP requirement has been found to be in conflict with special zoning district design criteria adopted and being implemented pursuant to a community planning process, the existing local codes may supersede or reduce the BMP requirement.
- Public health and safety standards.
- Transportation regulations to maintain the option for future expansion or multi-modal use of public rights-of-way.
- A local Critical Area Ordinance that provides protection of tree species.
- A local code or rule adopted as part of a Wellhead Protection Program established under the Federal Safe Drinking Water Act; or adopted to protect a Critical Aquifer Recharge Area established under the State Growth Management Act.

## ❑ REQUIRED SOIL REPORT, INVESTIGATION AND INFILTRATION RATE TESTING

Determining the feasibility of infiltrative BMPs requires soils investigation and testing of the subgrade to identify soil types, soil characteristics, depth to impermeable layers (hardpan) or maximum wet season groundwater level, and infiltration rates of the native soil.

Specific requirements for the soils report and infiltration testing are as follows:

### Required Soil Report

Where full dispersion of runoff from target surfaces for each site/lot is not feasible or applicable as specified in Section C.2.1.1 and C.2.1.2, a soils report is a required for the purpose of determining the feasibility of full infiltration of roof runoff and other infiltrative BMPs that may need to be evaluated to meet the project's defined BMP requirements.

Soils reports must be prepared by or under the direction of a licensed onsite sewage system designer or geotechnical professional (e.g., licensed engineer with geotechnical and/or hydrogeologic experience, licensed geologist, hydrogeologist, or engineering geologist).

A soils report produced for siting and design of an **onsite sewage system** may also be used to satisfy this soils report requirement, provided that the report includes all of the information required and described below.

- The soils report shall reference a sufficient number of soils logs to establish the type and limits of soils on the project site. The report should at a minimum identify the limits of any outwash type soils (e.g., textural classes ranging from coarse sand and cobbles to medium sand). Soils reports for individual lots must include at least one **soils log** for each proposed infiltration location. Each log shall be a minimum of 4 feet deep and at least 1 foot below the expected bottom elevation of the infiltrative BMP. The report shall describe the SCS series of the soil and the textural class of each horizon through the depth of the log, and it shall include notes of any evidence of a high groundwater table, such as mottling.
- Evaluation of native soils for determination of groundwater protective characteristics (see Section 5.2.1 "Groundwater Protection" in the *SWDM*) is required in the soils report to demonstrate the feasibility of full infiltration, limited infiltration, and permeable pavement BMPs where treating pollution generating surfaces. This evaluation is not required if treating non-pollution generating surfaces only, or if a water quality facility chosen from the Basic Water Quality Treatment menu in Chapter 6 of the *SWDM* provides treatment prior to infiltration.
- Infiltration testing, as described below, is required to be included in the soils report to demonstrate the feasibility of bioretention and permeable pavement BMPs for the site/lot. The report on infiltration testing should include a recommended correction factor to be applied to the required in-situ, small-scale infiltration test results. The correction factor recommended should be determined by considering the number of infiltration tests performed in relation to the number of bioretention areas and site variability. Correction factors can range from 0.33 to 1 (no correction) and are determined by a geotechnical professional.

**Note:** For either a single infiltration system or an infiltrative BMP serving:

- more than one lot, 10,000 square feet or more of impervious surface,
- $\frac{3}{4}$  acre or more of pervious surface,
- 5,000 square feet or more of pollution generating impervious surface, OR
- for any infiltrative BMP used in modeling to demonstrate compliance with the LID Performance Standard (see Section 1.2.9 of *SWDM*),

*the requirements detailed in Section 5.2.1 of the SWDM shall be met for the following: "Soils, Measured Infiltration Rates, and Design Infiltration Rate." Those sections detail higher level requirements for soils investigation, permeable soil and depth to seasonal high groundwater, determination of initial infiltration rates, calculation of design infiltration rates, and preparation of soils reports consistent with the larger size and risk associated with these systems.*

## Infiltration Testing Requirements

The testing procedure described below is for bioretention and permeable pavement serving a single lot, less than 10,000 square feet of impervious area, less than 5,000 square feet of pollution generating impervious surface, less than  $\frac{3}{4}$  acre of pervious area, and less than 1 acre total tributary area.

Where required to determine feasibility/infeasibility based on native soil infiltration rates, the following test procedure is required:

### Infiltration Testing Procedure

1. Excavations shall be made to the bottom elevation of the proposed infiltration BMP. The measured infiltration rate of the underlying soil shall be determined using one of the following: the **EPA falling head percolation test procedure** (*Onsite Wastewater Treatment and Disposal Systems*, EPA, 1980; see Reference Section 6-A), the **double ring infiltrometer test** (ASTM D3385), a **single ring percolation test** using a ring at least 3 feet in diameter (see Reference Section 6-A), or a small or large scale **Pilot Infiltration Test (PIT)** as described in the 2014 Stormwater Management Manual for Western Washington and Reference Section 6-A of this manual. The larger PIT tests have been shown to more closely match actual full-scale facility performance than the single ring and smaller test methods.
2. The test hole or apparatus shall be filled with water and maintained at depths above the test elevation for the **saturation periods** specified for the appropriate test.
3. Following the saturation period, the rate shall be determined in accordance with the specified test procedures, with a **head** of 6 inches of water.
4. The design engineer shall perform sufficient tests at multiple locations in a proposed BMP footprint to determine a representative infiltration rate. At least one **test** shall be performed (two if using the smaller-sized EPA falling head or ASTM D3385 double ring infiltrometer test methods) for each proposed bioretention BMP location. Proposed bioretention swales require 1 test per 200 linear feet of swale with a minimum of one test (two if using the smaller-sized EPA falling head or ASTM D3385 double ring infiltrometer test methods) performed. Proposed permeable pavement requires 1 test per 5,000 square feet of proposed footprint with a minimum of one tests (two if using the smaller-sized EPA falling head or ASTM D3385 double ring infiltrometer test methods) performed.

## ☐ MITIGATION OF WATER QUALITY IMPACTS

For projects subject to **Simplified Drainage Review**, most water quality impacts will be adequately addressed through proper application of on-site BMPs to impervious and pervious surface as specified below. Projects in **Simplified Drainage Review** are required to have less than 5,000 square feet targeted **pollution generating impervious surfaces** and less than  $\frac{3}{4}$  acres of new **pollution generating pervious surfaces**—therefore, water quality facilities are not required.

### C.1.3.1 SMALL LOT BMP REQUIREMENTS

IF the proposed project is on a **site/lot smaller than 22,000 square feet**, THEN on-site BMPs must be applied as specified in the requirements below OR the project must demonstrate compliance with the LID Performance Standard (described in Section 1.2.9 of the *SWDM*) using an approved continuous runoff model. Projects on small lots are typically single family residential improvements (e.g., homes, outbuildings, etc.) but could be a small commercial development.

1. The feasibility and applicability of full dispersion as detailed in Appendix C, Section C.2.1 must be evaluated for all target impervious surfaces. If feasible and applicable, **full dispersion** must be implemented as part of the proposed project. Typically, small lot full dispersion will be applicable only in subdivisions where enough forest was preserved by tract, easement, or covenant to meet the minimum design requirements for full dispersion in Appendix C, Section C.2.1.1



2. Where full dispersion of target impervious roof areas is not feasible or applicable, or will cause flooding or erosion impacts, the feasibility and applicability of full infiltration as detailed in Appendix C, Section C.2.2 must be evaluated (*note, this will require a soils report for the site/lot*). If feasible and applicable, **full infiltration of roof runoff** must be implemented as part of the proposed project.
3. All target impervious surfaces not mitigated by Requirements 1 and 2 above, must be mitigated to the maximum extent feasible using one or more BMPs from the following list. Use of a given BMP is subject to evaluation of its feasibility and applicability as detailed in Appendix C. Feasible BMPs are required to be implemented. The BMPs listed below may be located anywhere on the *site/lot* subject to the limitations and design specifications for each BMP. These BMPs must be implemented as part of the proposed project.
  - **Full Infiltration** per Appendix C, Section C.2.2, or per Section 5.2, whichever is applicable
  - **Limited Infiltration** per Appendix C, Section C.2.3,
  - **Rain Gardens** per Appendix C, Section C.2.12, sized as follows:
    - Rain gardens have a maximum contributing area of 5,000 square feet.
    - Rain gardens must have a minimum horizontal projected surface area below the overflow which is at least 5% of the area draining to it.
  - **Bioretention** per Appendix C, Section C.2.6, sized as follows:
    - Rainfall region SeaTac 1.0: In till soils, provide bioretention volume based on 0.6 inches of equivalent storage depth; in outwash soils provide bioretention volume based on 0.1 inches of equivalent storage depth.
    - Rainfall regions greater than SeaTac 1.0: In till soils, provide bioretention volume based on 0.8 inches of equivalent storage depth; in outwash soils, provide bioretention volume based on 0.4 inches of equivalent storage depth.
  - **Permeable Pavement** per Appendix C, Section C.2.7,
4. All target impervious surfaces not mitigated by Requirements 1, 2 and 3 above, must be mitigated to the maximum extent feasible using the Basic Dispersion BMP described below. Use of Basic Dispersion is subject to evaluation of its feasibility and applicability as detailed in Appendix C. Feasible BMPs are required to be implemented. Basic Dispersion BMPs may be located anywhere on the *site/lot* subject to the limitations and design specifications cited in Appendix C. The BMP must be implemented as part of the proposed project.
  - **Basic Dispersion** per Appendix C, Section C.2.4,
5. BMPs must be implemented, at minimum, for an impervious area equal to at least 10% of the *site/lot* for *site/lot sizes up to 11,000 square feet* and at least 20% of the *site/lot* for *site/lot sizes between 11,000 and 22,000 square feet*. For projects located in *critical aquifer recharge areas*, these impervious area amounts must be doubled. Doubling of the minimum impervious area required for BMP implementation in a CARA is not required for projects located within 200 ft. of a *steep slope hazard area, landslide hazard, or erosion hazard area*. If these minimum areas are not mitigated using feasible BMPs from Requirements 1, 2, 3, and 4 above, one or more BMPs from the following list are required to be implemented to achieve compliance. These BMPs must be implemented as part of the proposed project.
  - **Reduced Impervious Surface Credit** per Appendix C, Section C.2.9,
  - **Native Growth Retention Credit** per Appendix C, Section C.2.10.
  - **Tree Retention Credit** per Appendix C, Section C.2.14
6. The soil moisture holding capacity of **new pervious surfaces** (target pervious surfaces) must be protected in accordance with the soil amendment BMP as detailed in Appendix C, Section C.2.13.
7. Any proposed connection of roof downspouts to the *local drainage system* must be via a **perforated pipe connection** as detailed in Appendix C, Section C.2.11.

### C.1.3.2 LARGE LOT BMP REQUIREMENTS

IF the proposed project is on a *site/lot* that is **22,000 square feet or larger**, THEN on-site BMPs must be applied as specified in the requirements below OR the project must demonstrate compliance with the LID Performance Standard (described in Core Requirement #9, Section 1.2.9 of the *SWDM*) using an approved continuous runoff model.

1. The feasibility and applicability of **full dispersion** as detailed in Appendix C, Section C.2.1 must be evaluated for all **target impervious surfaces**. If feasible and applicable for any such surface, then full dispersion must be applied to that surface and implemented as part of the proposed project. Typically, full dispersion will be applicable only on the largest *sites/lots* where there may be enough forest area available within a **threshold discharge area** to meet the 15% ratio of **fully dispersed** impervious area to **native vegetated surface**.
2. Where full dispersion of target impervious roof areas is not feasible or applicable, or will cause flooding or erosion impacts, the feasibility and applicability of **full infiltration of roof runoff** must be evaluated in accordance with Appendix C, Section C.2.2, or Section 5.2 of the *SWDM*, whichever is applicable based on the type of project.<sup>11</sup> If feasible and applicable, full infiltration of roof runoff must be implemented as part of the proposed project.
3. All target impervious surfaces not mitigated by Requirements 1 and 2 above, must be mitigated to the maximum extent feasible using one or more BMPs from the following list. Use of a given BMP is subject to evaluation of its feasibility and applicability as detailed in Appendix C. Feasible BMPs are required to be implemented. The BMPs listed below may be located anywhere on the site/lot subject to the limitations and design specifications for each BMP. These BMPs must be implemented as part of the proposed project.
  - **Full Infiltration** per Appendix C, Section C.2.2, or per *SWDM* Section 5.2, whichever is applicable
  - **Limited Infiltration** per Appendix C, Section C.2.3,
  - **Bioretention** per Appendix C, Section C.2.6, sized as follows:
    - Rainfall region SeaTac 1.0: In till soils, provide bioretention volume based on 0.6 inches of equivalent storage depth; in outwash soils provide bioretention volume based on 0.1 inches of equivalent storage depth
    - Rainfall regions greater than SeaTac 1.0: In till soils, provide bioretention volume based on 0.8 inches of equivalent storage depth; in outwash soils, provide bioretention volume based on 0.4 inches of equivalent storage depth,
  - **Permeable Pavement** per Appendix C, Section C.2.7,
4. All target impervious surfaces not mitigated by Requirements 1, 2 and 3 above, must be mitigated to the maximum extent feasible using the Basic Dispersion BMP described below. Use of Basic Dispersion is subject to evaluation of its feasibility and applicability as detailed in Appendix C. Feasible BMPs are required to be implemented. Basic Dispersion BMPs may be located anywhere on the *site/lot* subject the limitations and design specifications cited in Appendix C. The BMP must be implemented as part of the proposed project.
  - **Basic Dispersion** per Appendix C, Section C.2.4,
5. BMPs must be implemented, at minimum, for impervious area amounts defined as follows:
  - a) For projects that will result in an impervious surface coverage on the buildable portion of the site/lot of less than 45%, on-site BMPs must be applied to 50% of target impervious surfaces.

<sup>11</sup> For projects subject to Simplified Drainage Review, and for any **single family residential project** subject to Full or Large Project Drainage Review, the design requirements and specifications in Appendix C, Section C.2.2 may be used for evaluation and design of full infiltration on individual lots. For all other projects, full infiltration must be evaluated and designed in accordance with the infiltration facility standards in Section 5.2.

- b) For projects that will result in an impervious surface coverage of 45% to 65% on the buildable portion of the site/lot, on-site BMPs must be applied to 50% of target impervious surfaces reduced by 1.5% for each 1% of impervious surface coverage above 45% (e.g., impervious coverage of 55% results in a requirement of on-site BMPs applied to 35% of target impervious surfaces). See Table C.1.3.A below for calculated totals.
- c) For projects that will result in an impervious surface coverage greater than 65% on the buildable portion of the site/lot, on-site BMPs must be applied to 20% of the target impervious surfaces or to an impervious area equal to at least 10% of the site/lot, whichever is less.

TABLE C.1.3.A ON-SITE BMP APPLICATION RATES		
Impervious Surface Coverage	Reduction	On-Site BMP Application
30%	N/A	50% of target impervious surfaces
35%	N/A	50% of target impervious surfaces
40%	N/A	50% of target impervious surfaces
45%	N/A	50% of target impervious surfaces
50%	50% - 45% = 5% 5% x 1.5% = 7.5%	50% - 7.5% = 42.5% of target impervious surfaces
55%	55% - 45% = 10% 10 x 1.5% = 15%	50% - 15% = 35% of target impervious surfaces
60%	60% - 45% = 15% 15 x 1.5% = 22.5%	50% - 22.5% = 27.5% of target impervious surfaces
65%	65% - 45% = 20% 20 x 1.5% = 30%	50% - 30% = 20% of target impervious surfaces
70%	70% - 45% = 25% 25 x 1.5% = 37.5%	50% - 37.5% = 12.5% of target impervious surfaces
75%	75% - 45% = 30% 30 x 1.5% = 45%	50% - 45% = 5% of target impervious surfaces
80%	N/A	N/A
85%	N/A	N/A

The buildable portion of the site/lot is the total area of the site/lot minus any critical areas and minus 200-foot buffer areas from a *steep slope hazard area*, *landslide hazard*, or *erosion hazard area*. If these minimum areas are not mitigated using feasible BMPs from Requirements 1, 2, 3, and 4 above, one or more BMPs from the following list are required to be implemented to achieve compliance. These BMPs must be implemented as part of the proposed project.

- **Reduced Impervious Surface Credit** per Appendix C, Section C.2.9,
  - **Native Growth Retention Credit** per Appendix C, Section C.2.10,
  - **Tree Retention Credit** per Appendix C, Section C.2.14.
6. The soil moisture holding capacity of **new pervious surfaces** must be protected in accordance the soil amendment BMP as detailed in Appendix C, Section C.2.13.
7. Any proposed connection of roof downspouts to the *local drainage system* must be via a **perforated pipe connection** as detailed in Appendix C, Section C.2.11.

### C.1.3.3 LARGE RURAL LOT BMP REQUIREMENTS

This requirement does not apply in the City of Renton.<sup>12</sup>

### C.1.3.4 ON-SITE BMP IMPLEMENTATION REQUIREMENTS

The on-site BMPs required in Section C.1.3.1, C.1.3.2, and C.1.3.3 above must be implemented in accordance with the following requirements:

1. **Implementation Responsibility.** All on-site BMPs required for the *site/lot* must be implemented (installed) by the applicant as part of the proposed project unless they have already implemented as part of a subdivision project (e.g., plat or short plat) that created the lot.
2. **Maintenance Responsibility.** Maintenance of all required on-site BMPs is the responsibility of the owner of the *site/lot* served by these BMPs. The responsibility for such maintenance must be clearly assigned to the current and future owners of the *site/lot* through a “declaration of covenant and grant of easement” as described in Requirement 3 below.
3. **Declaration of Covenant and Grant of Easement.** A declaration of covenant and grant of easement must be recorded for each *site/lot* that contains on-site BMPs. A draft of the proposed covenant must be reviewed and approved by CED prior to recording. All required covenants must be recorded prior to final construction approval for the proposed project. The covenant in Reference Section C.5.2 (or equivalent) must be used, and is designed to achieve the following:
  - a) Provide **notice** to future owners of the presence of on-site BMPs on the lot and the responsibility of the owner to retain, uphold, and protect the on-site BMP devices, features, pathways, limits, and restrictions.
  - b) Include as an **exhibit**, a *recordable version*<sup>13</sup> of the following drainage plan information:
    - The **site plan** showing all developed surfaces (impervious and pervious) and the location and dimensions of on-site BMPs, features, flowpaths (if applicable), and limits of native growth retention areas (if applicable). This plan(s) must be to scale and include *site* topography in accordance with the specifications for such plans in Section C.4.2. Also indicate any areas where City access is excluded (see paragraph 3.d below). *Note: CED may waive this element if, for example, the only on-site BMP proposed is a limit on impervious surface (reduced footprint).*
    - The **on-site BMP design and maintenance details** for each on-site BMP per Section C.4.3. This includes a diagram (if applicable) of each on-site BMP and written maintenance and operation instructions and restrictions for each device, feature, flowpath (if applicable), native growth retention area (if applicable) and impervious surface coverage (if applicable). See Reference Section 8-M for prepared 8-1/2" x 11" maintenance instruction sheets. See <<http://rentonwa.gov/government/default.aspx?id=7122>> for downloadable BMP details. Ensure the exhibits are correctly cross-referenced in the declaration of covenant (the site plan is typically Exhibit A and the design/maintenance details are typically Exhibit B).
  - c) Require that each on-site BMP be operated and **maintained at the owner’s expense** in accordance with the above exhibit.
  - d) Grant the City or its successor the **right to enter** the property at reasonable times for purposes of inspecting the on-site BMPs and to perform any corrective maintenance, repair, restoration, or mitigation work on the on-site BMPs that has not been performed by the property owner within a

<sup>12</sup> Footnote 12 is not used.

<sup>13</sup> *Recordable version* means one that meets King County’s “Standard Formatting Requirements for Recording Documents” pursuant to RCW 36.18.010 and 65.04.045, available online and from the King County Recorder’s Office. These requirements include specifications for such things as page size (8½" x 14" or smaller), font size (at least 8-point), and margin width (1" on all sides of every page if there is a standard cover sheet).

reasonable time set by CED, and to charge the property owner for the cost of any maintenance, repair, restoration, or mitigation work performed by the City.

The right to enter typically applies to the entire property, but occasionally accepts areas on the property agreed upon by the City to be excluded from access. Such areas are to be shown on the site plan described above.

- e) Prohibit any **modification or removal** of on-site BMPs without written approval from the City of Renton. In cases where the modification or removal is done under a City of Renton development permit, the approval must be obtained from CED (or its successor) and a covenant must be recorded to reflect the changes. In all other cases, the approval must be obtained from CED and a covenant must be recorded to reflect the changes. Approval will be granted only if equivalent protection in terms of hydrologic performance is provided by other means.
4. **Timing of Implementation.** All required on-site BMPs must be installed prior to final inspection approval of constructed improvements. For BMPs that rely on vegetation, the vegetation must be planted and starting to grow prior to final construction approval.
5. **Acceptance Standards.** On-site BMPs may be inspected during and/or following construction. Approval of the constructed BMPs will be based on verification that the materials and placement appear to meet the specifications and that the BMPs appear to function as designed. Onsite observations may be used to verify that materials are as specified and material receipts checked. Performance may be evaluated by a *site* visit while it is raining or by testing with a bucket of water or garden hose to check pavement permeability or proper connection to BMP devices/features, etc.
6. **Drainage Concerns.** If CED determines that there is a potential for drainage impacts to a neighboring property or critical area, then additional measures may be required. Some on-site BMPs may not be appropriate in certain situations, and will not be allowed by CED where they may cause drainage problems.
7. **Geotechnical Concerns.** A geotechnical engineer, engineering geologist, or CED must evaluate and approve on-site BMPs that are proposed: (A) on slopes steeper than 15%; (B) within a setback from the top of slope equal to the total vertical height of the slope area that is steeper than 15%; or (C) within 200 feet of a *steep slope hazard area*, *erosion hazard area*, or *landslide hazard*. In addition, CED may require review by a geotechnical engineer or engineering geologist of any proposed BMP that infiltrates, disperses, or directs overflow adjacent to or towards a steep *slope hazard area*, *erosion hazard area*, or *landslide hazard*. CED may also require some projects to route flows down or around such slopes using non-perforated pipes. Some on-site BMPs may not be appropriate for these locations, and will not be allowed by CED where flows may cause erosion problems.
8. **Sewage System Concerns.** If CED determines that there is a potential conflict between onsite sewage systems and on-site BMPs, additional measures may be required. Some projects may need to route flows past onsite sewage systems using non-perforated pipes. Also, some on-site BMPs may not be appropriate for these *sites*, and will not be allowed where sewage systems may be impacted.
9. **Engineering Concerns.** While most of the on-site BMPs in this appendix can be implemented by a non-engineer, there are some that have structural components that must be designed or evaluated by a *civil engineer* or *structural engineer*.<sup>14</sup> When a BMP is proposed that has such components as identified in Section C.2, CED may require submittal of engineering plans for that component signed and stamped by a *civil engineer* or structural engineer.
10. **Connection to Subsurface Drains.** On-site BMPs **should not** be connected to subsurface drains (e.g., footing drains) as these connections may adversely affect the performance of the BMPs, and in some cases may cause reverse flow into the footing drains during storm events.

<sup>14</sup> *Structural engineer* means a person licensed by the State of Washington as a professional civil engineer specializing in structural engineering.

11. **Simplified Drainage Plan.** The type, size, and placement of proposed on-site BMPs are to be shown on the **site plan** submitted for the proposed project. This plan must be in accordance with the specifications for such plans outlined in Section C.4 unless otherwise directed by CED.

## C.1.4 APPLICATION OF CSWPP MEASURES

It is the responsibility of both the applicant and contractor to prevent the erosion and transport of sediment and other construction-related pollutants to the maximum extent practicable. Erosion and sediment control (ESC) measures and stormwater pollution prevention and spill control (SWPPS) measures must be used both during and after construction as specified in this section.

For projects subject to Simplified Drainage Review and disturbing less than 1 acre of land, the application of ESC and SWPPS measures must be in accordance with the “Small Site CSWPP Requirements” in Section C.1.4.1 and the “CSWPP Implementation Requirements” in Section C.1.4.2. The CSWPP Simplified Site Requirements specify the types of measures that must be considered for application to the construction site based on project-specific *site* features, soil conditions, weather conditions, time of year, and construction activities. The CSWPP implementation requirements are generally applicable to all projects in Simplified Drainage Review disturbing less than 1 acre.

### C.1.4.1 SMALL SITE CSWPP REQUIREMENTS

For projects in **Simplified Drainage Review** that disturb less than 1 acre of land, all of the following Small Site ESC and SWPPS requirements must be evaluated for applicability to the proposed project:

#### A. MARK CLEARING LIMITS/MINIMIZE CLEARING

Prior to beginning land disturbing activities, all clearing limits, sensitive areas and their buffers, and trees that are to be preserved within the construction area and any existing or proposed LID facility areas shall be clearly marked, both in the field and on the **Small Site CSWPP plan**, to prevent damage and offsite impacts. Also, clearing shall be minimized to the maximum extent practicable. See “**Mark Clearing Limits/Minimize Clearing**,” Section C.3.5, for more detailed specifications.

#### B. MINIMIZE SEDIMENT TRACKED OFFSITE

1. Establish a stabilized entrance for construction vehicle access to minimize the tracking of sediment onto public roads. Entrance and exit shall be limited to one route, if possible. See “**Stabilized Construction Entrance**,” Section C.3.1, for detailed specifications.
2. If sediment is tracked offsite, public roads shall be cleaned thoroughly at the end of each day, or more frequently during wet weather, if necessary to prevent sediment from entering waters of the state. Sediment shall be removed from roads by shoveling or pickup sweeping and shall be transported to a controlled sediment disposal area. Street washing will be allowed only after sediment is removed in this manner. Street wash wastewater shall be controlled by pumping back onsite, or otherwise be prevented from discharging into drainage systems tributary to surface waters. This requirement **shall be included as a note** on the **Small Site CSWPP plan**.

#### C. CONTROL SEDIMENT

Runoff from disturbed areas must pass through a sediment control measure to prevent the transport of sediment downstream until the disturbed area is fully stabilized. Sediment controls must be installed as one of the first steps in grading and shall be functional before other land disturbing activities take place. One or more the following sediment controls may be used to meet this requirement:

- **Silt Fence** (See Section C.3.6)
- **Vegetated Strip** (See Section C.3.7)

- **Triangular Silt Dike** (See Section C.3.8)
- **Storm Drain Inlet Protection** (See Section C.3.9)

#### D. STABILIZE EXPOSED SOILS

All exposed and unworked soils shall be stabilized through the application of **cover measures** to protect the soil from the erosive forces of raindrop impact, flowing water, and wind erosion. One or more of the following **cover measures** may be used to meet this requirement during the construction phase:

- **Mulching** (See Section C.3.2)
- **Nets and Blankets** (See Section C.3.3)
- **Plastic Covering** (See Section C.3.4)
- **Seeding** (See Section C.3.10)
- **Sodding** (See Section C.3.11)

Cover measures shall be **applied in accordance with the following requirements**:

1. Cover measures must be installed if an area is to remain unworked for more than seven days during the dry season (May 1 to September 30) or for more than two consecutive working days during the wet season (October 1 to April 30). These time limits may be relaxed if an area poses a low risk of erosion due to soil type, slope gradient, anticipated weather conditions, or other factors. Conversely, the City may reduce these time limits if site conditions warrant greater protection (e.g., adjacent to significant aquatic resources or highly erosive soils) or if significant precipitation is expected.
2. Any area to remain unworked for more than 30 days shall be seeded or sodded unless the City determines that winter weather makes vegetation establishment infeasible. During the wet season, exposed ground slopes and stockpile slopes with an incline of 3 horizontal to 1 vertical (3H:1V) or steeper and with more than ten feet of vertical relief shall be covered if they are to remain unworked for more than 12 hours. Also during the wet season, the material necessary to cover all disturbed areas must be stockpiled on site. The intent of these cover requirements is to have as much area as possible covered during any period of precipitation.

#### E. CONTROL RUNOFF

Stormwater runoff originating on the *site* and/or entering the *site* from offsite areas must be controlled so as to minimize erosion of disturbed areas and exposed cut and fill slopes, and to minimize erosive impacts on existing or proposed LID facility areas. The following runoff control measures shall be used as needed per the conditions of use and specifications for each measure:

- **Interceptor Dikes and Swales** (see Section C.3.12 for conditions of use and specifications)
- **Ditches** (see Section C.3.13 for conditions of use and specifications)
- **Pipe Slope Drain** (see Section C.3.14 for conditions of use and specifications)

#### F. CONTROL DEWATERING

Accumulated water in foundation areas, excavations, and utility trenches shall be removed and disposed of in a manner that does not pollute surface waters or cause downstream erosion or flooding. See “**Dewatering Control**,” Section C.3.15 for detailed specifications.

#### G. CONTROL OTHER POLLUTANTS (SWPPS)

All construction activities shall be done in a manner that prevents pollution of surface waters and ground waters as specified in the *Construction Stormwater Pollution Prevention Standards* (Appendix D of the *SWDM*) and King County’s *Stormwater Pollution Prevention Manual* (*SPPM*). See “**Control of Other Pollutants (SWPPS)**,” Section C.3.16, for specific measures and references to Appendix D and applicable activity sheets in the *SPPM*. References to applicable measures in Appendix D and activity sheets in *SPPM* shall be included in the **Small Site CSWPP plan**.

## H. PROTECT EXISTING AND PROPOSED STORMWATER FACILITIES AND ON-SITE BMPS

Protection measures shall be applied/installed and maintained so as to prevent adverse impacts to existing stormwater facilities and on-site BMPs and areas of proposed stormwater facilities and on-site BMPs for the project. Adverse impacts can prompt the requirement to restore or replace affected stormwater facilities and on-site BMPs.

**Purpose:** The purpose of protecting existing and proposed stormwater facility and on-site BMP areas is to avoid sedimentation and soil compaction that would adversely affect infiltration, and also avoid contamination by other pollutants.

**When to Install:** Stormwater facility and on-site BMP area protection shall be installed or otherwise provided prior to any clearing and/or grading of the site, except that required to construct stormwater facilities and on-site BMPs.

### Measures to Use:

1. Protect all stormwater facilities and on-site BMPs and proposed stormwater facility and on-site BMP footprints from sedimentation through installation and maintenance of erosion and sediment control BMPs on portions of the site that drain into the stormwater facilities and on-site BMPs.
2. Stormwater facilities and on-site BMPs shall be restored to their fully functioning condition if they accumulate sediment during construction. Restoring the stormwater facilities and on-site BMPs shall include, at a minimum, removal of sediment and any sediment-laden bioretention soils, and replacing the removed soils with soils meeting the design specification. Replacement with a new fully-functioning stormwater facility and/or on-site BMP may be required if restoration to the fully-functioning condition can't be accomplished.
3. Prevent compacting Bioretention BMPs/facilities by excluding construction equipment and foot traffic. Protect completed lawn and landscaped areas from compaction due to construction equipment.
4. Control erosion and avoid introducing sediment from surrounding land uses onto permeable pavement BMPs. Do not allow muddy construction equipment on the base material or pavement. Do not allow sediment-laden runoff onto permeable pavements.
5. Permeable pavement BMPs fouled with sediments or no longer passing an initial infiltration test must be cleaned using procedures from Appendix A or the manufacturer's procedures.
6. Keep all heavy equipment off existing soils under stormwater facilities and on-site BMPs that have been excavated to final grade to retain the infiltration rate of the soils.

## I. MAINTAIN BMPS DURING CONSTRUCTION AND FINAL SITE STABILIZATION

1. TESC BMPs shall be maintained and repaired as needed throughout construction to ensure continued performance of their intended function in accordance with the BMP specifications.
2. Prior to final construction approval, the *project site* shall be stabilized to prevent sediment-laden water from leaving the *project site* after project completion. All disturbed areas of the *project site* shall be vegetated or otherwise permanently stabilized. At a minimum, disturbed areas must be seeded and mulched to ensure that sufficient cover will develop shortly after final approval. Mulch without seeding is adequate for small areas to be landscaped before October 1.
3. All temporary ESC and SWPPS measures shall be removed within 30 days after final site stabilization is achieved or after the temporary measures are no longer needed. Trapped sediment shall be removed or stabilized onsite. LID facilities impacted during construction shall be restored. Disturbed soil areas resulting from removal of measures or vegetation shall be permanently stabilized with seeding or sodding.



### C.1.4.2 CSWPP IMPLEMENTATION AND MANAGEMENT REQUIREMENTS

Projects in **Simplified Drainage Review** that disturb less than 1 acre of land must implement the CSWPP measures determined necessary in Section C.1.4.1 in accordance with the following requirements:

1. The placement and type of proposed ESC and SWPPS measures are to be shown on the **Small Site CSWPP plan** portion of the Simplified Drainage Plan submitted for the proposed project. This plan must be in accordance with the specifications for such plans outlined in Section C.4 unless otherwise directed by CED.
2. If CED finds that implementation of the proposed **Small Site CSWPP plan is insufficient** to prevent the discharge of sediment or other pollutants to the maximum extent practicable, additional measures will be required by CED. In some cases, an ESC plan or a complete Construction Stormwater Pollution Plan prepared by a *civil engineer* per Chapter 2 of the *SWDM* may be required.
3. The contractor or other persons performing construction activities shall comply with the **stormwater pollution prevention and spill control measures/BMPs** specified for such activities in Appendix D and/or the King County *Stormwater Pollution Prevention Manual*. A note to this effect must be put on the approved CSWPP plan.
4. Prior to commencing construction, the applicant must identify to the City a **contact person** responsible for overseeing the installation and maintenance of required ESC and SWPPS measures and compliance with Appendix D and the *Stormwater Pollution Prevention Manual* during construction. The name and contact information for this person must be on or attached to **Small Site CSWPP plan** at the time of construction.
5. Both the **applicant and contractor are responsible** for implementation and maintenance of the approved **Small Site CSWPP plan** and any additional measures required by the City.
6. The **Small Site CSWPP plan shall be retained onsite** or within reasonable access to the site. The plan shall be modified whenever there is a significant change in the design, construction, operation, or maintenance at the construction site that has, or could have, a significant effect on the discharge of pollutants to surface waters. The plan shall be modified, if during inspections or investigations conducted by the City, it is determined that the plan is ineffective in eliminating or significantly minimizing pollutants in stormwater discharges from the site. The plan shall be modified as necessary to include additional or modified measures designed to correct problems identified.

### C.1.5 SIMPLIFIED SUBMITTAL REQUIREMENTS

For projects in **Simplified Drainage Review**, the items listed below must be submitted to CED for review unless the item is not applicable or necessary as specified for that item below or as determined by CED. See Section C.5.1 for a description of the CED permit review process for Simplified Drainage Review.

1. A **Simplified Drainage Plan**, which includes the components specified in Section C.4 unless otherwise directed by CED. These components vary depending on whether the project is an individual lot development or a subdivision. For most projects in **Simplified Drainage Review** (i.e., individual lot projects), the required components of a Simplified Drainage Plan include a site plan, on-site BMP design and maintenance details, a **Small Site CSWPP plan**, and a written drainage assessment with supporting documentation (e.g., soils report, special studies, etc.).

*Note: subdivisions in Simplified Drainage Review that do not require engineering plans or analysis will typically be asked to complete Simplified Drainage Plans prior to preliminary approval of the subdivision. Projects submitting Simplified Drainage Plans after preliminary approval must include in the written assessment a discussion of any changes made to the project after preliminary approval.*

2. A draft of the **declaration of covenant and grant of easement** required to be recorded for application of on-site BMPs on an individual *site/lot* in accordance with Requirement 3 of Section C.1.3.4.

3. A copy of any **recorded covenant** that limits the amount of impervious surface or clearing on the *site* for purposes of qualifying for **Simplified Drainage Review**. If one does not exist or does not include provisions for City inspection, it must be combined with the covenant required for application of on-site BMPs.
4. An **engineering plan** and **technical information report** signed and stamped by a *civil engineer* if needed to address targeted drainage review requirements identified in Section C.1.1 and described in Section C.1.2. The specifications for such plans and reports are found in Chapter 2 of the *SWDM*.

## C.2 ON-SITE BMPS

This section presents the minimum design requirements, specifications, and infeasibility criteria for each type of on-site BMP. *On-site BMPs* are methods and designs for dispersing, infiltrating, or otherwise reducing or preventing development-related increases in runoff at or near the sources of those increases. On-site BMPs include, but are not limited to, preservation and use of *native vegetated surface* to fully disperse runoff; use of other pervious surfaces to disperse runoff; roof downspout infiltration; permeable pavements; rainwater harvesting; rain gardens; bioretention; and reduction of development footprint.

### Intent of On-Site BMPS

The primary intent of on-site BMPs is to mitigate the hydrologic impacts of impervious surface, which means preventing or reducing the increased runoff peaks, volumes, and loss of groundwater recharge associated with conversion of forest or grassland to impervious surface. Such impacts are known to cause or contribute to downstream flooding, erosion, sedimentation, loss of aquatic habitat, and loss of groundwater available for human consumption and summer stream flows necessary for fish use.

The secondary intent of on-site BMPs is to mitigate the water quality impacts of impervious surface and in some cases, *new pervious surface*, where the *new pervious surface* exceeds  $\frac{3}{4}$  acre.

Some on-site BMPs are more effective than others at minimizing hydrologic impacts and are given preference in the BMP application requirements. For example, where substantial amounts of native vegetation are being retained onsite, “full dispersion” of runoff is the preferred or required BMP if it can be implemented onsite per the minimum design requirements and specifications in Section C.2.1.

### Organization of Section C.2

Section C.2 is organized as follows:

- Section C.2.1, “Full Dispersion”
- Section C.2.2, “Full Infiltration”
- Section C.2.3, “Limited Infiltration”
- Section C.2.4, “Basic Dispersion”
- Section C.2.5, “Farmland Dispersion”
- Section C.2.6, “Bioretention”
- Section C.2.7, “Permeable Pavement”
- Section C.2.8, “Rainwater Harvesting”
- Section C.2.9, “Reduced Impervious Surface Credit”
- Section C.2.10, “Native Growth Retention Credit”
- Section C.2.11, “Perforated Pipe Connection”
- Section C.2.12, “Rain Gardens”
- Section C.2.13, “Soil Amendment”
- Section C.2.14, “Tree Retention Credit”
- Section C.2.15, “Vegetated Roofs”

### C.2.1 FULL DISPERSION

*Full dispersion* is a BMP strategy for minimizing the area of onsite developed surface (i.e., impervious or nonnative pervious surface) relative to *native vegetated surface* (e.g., forested surface) together with the application of dispersion techniques that utilize the natural capacity of the *native vegetated surface* to mitigate the runoff quantity and quality impacts of the developed surfaces. Developed surfaces that meet the minimum design requirements and specifications for full dispersion as set forth in this section are

referred to as *fully dispersed surfaces*. As specified in the *SWDM*, fully dispersed impervious surface is not subject to the “flow control facility requirement.” Similarly, any *pollution-generating impervious surface* or pervious surface that is fully dispersed is not subject to the water quality facility requirements of the *SWDM*.

### Applicable Surfaces

Full dispersion may be applied to any impervious surface such as a roof, driveway, parking area, or road, and to any nonnative pervious surface such as a lawn, landscaped area, or pasture.

### Infeasibility Criteria

Full dispersion is considered infeasible and not required for projects that cannot meet the minimum design requirements listed below. Where geotechnical evaluation and approval is required for full dispersion that proposes to discharge towards or is within described setbacks of a *steep slope hazard area, erosion hazard area, landslide hazard, or slopes greater than 15%*, full dispersion is considered infeasible and not required. Though not required in these circumstances, a project proponent may still opt to use full dispersion as long as the geotechnical evaluation and approval requirement is met.

### Operation and Maintenance

See Section C.2.1.9.

## C.2.1.1 MINIMUM DESIGN REQUIREMENTS FOR FULL DISPERSION

All of the following requirements must be met in order for full dispersion to be feasible and applicable to a *target impervious surface* or *new pervious surface*:

1. The **total area of impervious surface** being fully dispersed must be no more than 15% of the total area of *native vegetated surface* being preserved by a recorded tract, easement, or covenant on the *site*. This area of *native vegetated surface* must be delineated on the *site* as specified in and subject to the restrictions in Section C.2.1.2. The total area of impervious surface plus *nonnative pervious surface*<sup>15</sup> being fully dispersed must be no more than 35% of the *site*.

*Note: for sites that span the divide between two or more stream basins, CED may require that these percentages be applied by “threshold discharge area” as defined in the SWDM.*

2. The runoff from a fully dispersed surface must be discharged using one of the following **dispersion devices** in accordance with the design specifications and maximum area of fully dispersed surface for each device as set forth in Sections C.2.1.3 through C.2.1.6:
  - Splash blocks (see Section C.2.1.3)
  - Rock pads (see Section C.2.1.4)
  - Gravel filled trenches (see Section C.2.1.5)
  - Sheet flow (see Section C.2.1.6)
3. A **native vegetated flowpath segment** of at least 100 feet in length (25 feet for sheet flow from a nonnative pervious surface) must be available along the flowpath that runoff would follow upon discharge from a dispersion device listed in Minimum Design Requirement 2 above. The native vegetated flowpath segment **must meet all of the following criteria**:
  - a) The flowpath segment must be over *native vegetated surface*.
  - b) The flowpath segment must be **onsite** or in an **offsite tract or easement area** reserved for such dispersion.

---

<sup>15</sup> *Nonnative pervious surface* means a pervious surface that does not meet the definition of a *native vegetated surface* and is not a natural water body or critical area.

- c) The **slope** of the flowpath segment must be no steeper than 15% for any 20-foot reach of the flowpath segment.
  - d) The flowpath segment must be located between the dispersion device and any **downstream drainage feature** such as a pipe, ditch, stream, river, pond, lake, or wetland. All or a portion of the flowpath segment may be located within a critical area buffer.
  - e) The flowpath segments for adjacent dispersion devices must be sufficiently spaced in order to prevent overlap of flows in the segment areas. The **minimum spacing** between flowpath segments is specified for each dispersion device in subsequent sections, and includes an exception made in cases where sheet flow from a nonnative pervious surface overlaps with other flowpath segments.
4. For **sites** with **septic systems**, the discharge of runoff from dispersion devices must be located down slope of the primary and reserve drainfield areas. CED review staff can waive this requirement if site topography clearly prohibits discharged flows from intersecting the drainfield.
  5. Dispersion devices are not allowed in critical area **buffers** (unless approved by CED) or on **slopes** steeper than 20%.
  6. Dispersion devices are not allowed within 50 feet of a **steep slope hazard area, erosion hazard area, or landslide hazard**.
  7. Dispersion devices proposed on slopes steeper than 15% must be approved by a **geotechnical engineer or engineering geologist** unless otherwise approved by the CED. The geotechnical analysis must consider cumulative impacts from the project and surrounding areas under full built-out conditions.
  8. Dispersion devices proposed near slopes steeper than 15% must be approved by a **geotechnical engineer or engineering geologist** unless otherwise approved by the CED if the facility is located within a setback from the top of slope equal to the total vertical height of the slope area that is steeper than 15%. The geotechnical analysis must consider cumulative impacts from the project and surrounding areas under full built-out conditions.
  9. Dispersion devices that direct runoff toward a slope steeper than 15% may require evaluation and approval of the proposal by a **geotechnical engineer or engineering geologist** as determined by CED. The geotechnical analysis must consider cumulative impacts from the project and surrounding areas under full built-out conditions.
  10. Dispersion devices proposed within 200 feet of a **steep slope hazard area, erosion hazard area, or landslide hazard** must be approved by a **geotechnical engineer or engineering geologist** unless otherwise approved by the CED. The geotechnical analysis must consider cumulative impacts from the project and surrounding areas under full built-out conditions.
  11. The dispersion of runoff must not create **flooding or erosion impacts** as determined by the CED. If runoff is discharged toward a **landslide hazard, erosion hazard area, or steep slope hazard area**, CED may require evaluation and approval of the proposal by a **geotechnical engineer or engineering geologist**. The geotechnical analysis must consider cumulative impacts from the project and surrounding areas under full built-out conditions.

### C.2.1.2 DELINEATION OF NATIVE VEGETATED AREA FOR FULL DISPERSION

The area of **native vegetated surface** used for full dispersion must be delineated as a “**native growth retention area**” on the site plan that will be attached to the required declaration of covenant and grant of easement per Requirement 3 of Section C.1.3.4. Delineation of the native growth retention area is subject to the following **restrictions**:

1. The principle restriction on native growth retention areas is **removal of vegetation and trees**. All trees within the native growth retention area at the time of permit application shall be retained, aside from approved timber harvest activities and the removal of dangerous and diseased trees.
2. The native growth retention area may include any *unsubmerged*<sup>16</sup> critical areas and any critical area buffers.
3. The native growth retention area may include previously cleared areas replanted by the proposed project in accordance with the **native vegetated landscape** specifications in Section C.2.1.8.
4. The native growth retention area **may be used for passive recreation** and related facilities, including pedestrian and bicycle trails, nature viewing areas, fishing and camping areas, and other similar activities that do not require permanent structures, provided that cleared areas and areas of compacted soil associated with these areas and facilities do not exceed eight percent of the native growth retention area.
5. The native growth retention area **may contain utilities and utility easements**, including other on-site BMPs, but not septic systems.

### C.2.1.3 USE OF SPLASH BLOCKS FOR FULL DISPERSION

Splash blocks such as that shown in Figure C.2.1.A may be used to disperse the runoff collected from small amounts of roof area and discharged via a downspout.

#### Design Specifications

1. No more than 700 square feet of roof area may be drained to a single splash block unless the native vegetated flowpath segment is longer than the 100-foot minimum length specified in Minimum Design Requirement 3 of Section C.2.1.1.
2. A maximum roof area of 1,400 square feet may be discharged to a single splash block if the native vegetated flowpath segment is at least 200 feet in length.  
*Note: for roof areas larger than 700 square feet, the splash block should be located away from building or other provisions should be made to prevent flooding/erosion problems.*
3. For roof areas of between 700 square feet and 1,400 square feet, the length of the flowpath segment may vary proportionally between 100 and 200 feet.
4. For purposes of maintaining adequate separation of flows discharged from adjacent dispersion devices, the native vegetated flowpath segment for the splash block must have at least 50 feet of separation from an adjacent flowpath segment at the downstream end of whichever segment is the shorter. **Exception:** where sheet flow from a nonnative pervious surface overlaps with the flowpath of a splash block, the splash block flowpath segment must be extended at least 1 foot for every 3 feet of nonnative pervious surface area **width** draining to the same flowpath.

*Note that width is measured in the general direction that runoff flows across the nonnative pervious surface.*

### C.2.1.4 USE OF ROCK PADS FOR FULL DISPERSION

Pads of crushed rock, 2 feet wide (perpendicular to flow) by 3 feet long by 6 inches deep, may be used as a dispersion device to discharge small amounts of concentrated runoff from impervious surface or nonnative pervious surface.

---

<sup>16</sup> *Unsubmerged* means outside the ordinary high water mark of streams, lakes, and wetlands.

## Design Specifications

1. No more than 700 square feet of impervious surface may be drained to a single rock pad unless the native vegetated flowpath segment is longer than the 100-foot minimum length specified in Minimum Design Requirement 3 of Section C.2.1.1. If the developed surface is nonnative pervious surface other than pasture, no more than 2,500 square feet may be drained to a single rock pad with a 100-foot native vegetated flowpath segment. For pasture, the maximum is 8,000 square feet. Combinations of different surfaces draining to a single rock pad are allowed provided that the sum of each surface area divided by its maximum (e.g., impervious area divided by 700) is less than or equal to 1.0.
2. A maximum impervious surface area of 1,400 square feet may be drained to a single rock pad if the native vegetated flowpath segment is at least 200 feet in length. For nonnative pervious surface other than pasture, the maximum area is 5,000 square feet. For pasture, the maximum is 16,000 square feet. Again, combinations of different surfaces are allowed as explained in Item 1 above.
3. For impervious surface areas of between 700 and 1,400 square feet, the length of the flowpath segment may vary proportionally between 100 and 200 feet. This variation is also allowed for nonnative pervious surfaces (i.e., between 2,500 and 5,000 square feet for surfaces other than pasture, and between 8,000 and 16,000 square feet for pasture).
4. For purposes of maintaining adequate separation of flows discharged from adjacent dispersion devices, the native vegetated flowpath segment for the rock pad must have at least 50 feet of separation from an adjacent flowpath segment at the downstream end of whichever segment is the shorter. **Exception:** where sheet flow from a nonnative pervious surface overlaps with the flowpath of a rock pad, the rock pad flowpath segment must be extended at least 1 foot for every 3 feet of nonnative pervious surface area **width** draining to the same flowpath.

*Note that width is measured in the general direction that runoff flows across the nonnative pervious surface.*

### C.2.1.5 USE OF GRAVEL FILLED TRENCHES FOR FULL DISPERSION

Either of the two types of gravel filled trenches (also called “**dispersion trenches**”) shown in Figure C.2.1.C and Figure C.2.1.D may be used as a dispersion device to spread the discharge of concentrated runoff from any type of developed surface.

#### General Design Specifications

1. All trenches are filled with  $\frac{3}{4}$ -inch to  $1\frac{1}{2}$ -inch washed rock.
2. In outwash soils, a treatment liner to protect groundwater quality per Section 6.2.4 should be provided underneath the trench.
3. All trenches must be placed at least 10 feet from any building and must be as parallel as possible to the contour of the ground.
4. For purposes of maintaining adequate separation of flows discharged from adjacent dispersion devices, the outer edge of the native vegetated flowpath segment for the dispersion trench must have at least 50 feet of separation from an adjacent flowpath segment at the downstream end of whichever segment is the shorter. **Exception:** where sheet flow from a nonnative pervious surface overlaps with the flowpath of a dispersion trench, the dispersion trench flowpath segment must be extended at least 1 foot for every 3 feet of nonnative pervious surface area **width** draining to the same flowpath.

*Note that width is measured in the general direction that runoff flows across the nonnative pervious surface.*

**Design Specifications for Simple 10-Foot Trench (Full Dispersion)**

1. The simple 10-foot-long trench illustrated in Figure C.2.1.B and Figure C.2.1.C (must be at least 2 feet wide by 18 inches deep).
2. The 10-foot trench length is the maximum allowed without a notch grade board as shown in Figure C.2.1.D.
3. No more than 1,400 square feet of impervious area may be drained to a single 10-foot trench unless the native vegetated flowpath segment is longer than the 100-foot minimum length specified in Minimum Design Requirement 3 of Section C.2.1.1. If the developed surface is nonnative pervious surface other than pasture, no more than 5,000 square feet may be drained to a single 10-foot trench with a 100-foot native vegetated flowpath segment. For pasture, the maximum is 16,000 square feet. Combinations of different surfaces draining to a single 10-foot trench are allowed provided that the sum of each surface area divided by its maximum (e.g., impervious area divided by 1,400) is less than or equal to 1.0.
4. A maximum impervious surface area of 2,800 square feet may be drained to a single 10-foot trench if the native vegetated flowpath segment is at least 200 feet in length. For nonnative pervious surface other than pasture, the maximum area is 10,000 square feet. For pasture, the maximum is 32,000 square feet. Again, combinations of different surfaces are allowed as explained in Item 3 above.
5. For impervious surface areas of between 1,400 and 2,800 square feet, the length of the flowpath segment may vary proportionally between 100 and 200 feet. This variation is also allowed for nonnative pervious surfaces (i.e., between 5,000 and 10,000 square feet for surfaces other than pasture, and between 16,000 and 32,000 square feet for pasture).

**Design Specifications for 50-Foot Trench with Notch Board (Full Dispersion)**

1. The 50-foot-long trench with notch grade board detailed in Figure C.2.1.D must be at least 2 feet wide by 24 inches deep.
2. The 50-foot trench length is the longest allowed.
3. No more than 5,000 square feet of impervious area may be drained to a single 50-foot trench unless the native vegetated flowpath segment is longer than the 100-foot minimum length specified in Minimum Design Requirement 3 of Section C.2.1.1. If the developed surface is nonnative pervious surface other than pasture, no more than 17,500 square feet may be drained to a single 50-foot trench with a 100-foot native vegetated flowpath segment. For pasture, the maximum is 1.25 acres (54,450 square feet). Combinations of different surfaces draining to a single 50-foot trench are allowed provided that the sum of each surface area divided by its maximum (e.g., impervious area divided by 5,000) is less than or equal to 1.0.
4. A maximum impervious surface area of 10,000 square feet may be drained to a single 50-foot trench if the native vegetated flowpath segment is at least 200 feet in length. For nonnative pervious surface other than pasture, the maximum area is 35,000 square feet. For pasture, the maximum is 2.5 acres (108,900 square feet). Again, combinations of different surfaces are allowed as explained in Item 3 above.
5. For between 5,000 square feet and 10,000 square feet of impervious area, the length of the flowpath segment may vary proportionally between 100 and 200 feet for a 50-foot trench. The trench length may also vary proportionally between the 10-foot trench values above and the 50-foot values given here. For impervious surface areas of between 5,000 and 10,000 square feet, the length of the flowpath segment may vary proportionally between 100 and 200 feet. This variation is also allowed for nonnative pervious surfaces (i.e., between 17,500 and 35,000 square feet for surfaces other than pasture, and between 1.25 and 2.5 acres for pasture).
6. Manifolds may be used to split flows between up to four 50-foot trenches.



### C.2.1.6 USE OF SHEET FLOW FOR FULL DISPERSION

Sheet flow, as a dispersion device, is the grading of a developed surface (either a strip of impervious surface or a patch of nonnative pervious surface) as needed to avoid the concentration of runoff before and after discharge from the surface. Two types of sheet flow, one for impervious surface and one for pervious surface, are detailed below.

#### Design Specifications for Impervious Surface Sheet Flow (Full Dispersion)

1. The strip of impervious surface may be either roof (with no gutter) or pavement. The edge of the impervious strip and the ground adjacent to or immediately below the edge must be level or sloped no more than 5% along the edge as shown in Figure C.2.1.E.
2. A 2-foot-wide, 4-to-6 inch-deep, strip of crushed rock or the extended base course of a road or driveway must be provided at or below the edge of the impervious strip to facilitate dispersal of runoff. In outwash soils, a treatment liner to protect groundwater quality per Section 6.2.4 should be provided underneath this flow spreader.
3. No more than a 25-foot-wide strip of impervious surface may be sheet flowed in this manner unless the native vegetated flowpath segment is longer than the 100-foot minimum length specified in Minimum Design Requirement 3 of Section C.2.1.1.
4. A maximum 50-foot-wide strip may be sheet flowed if the flowpath segment is at least 200 feet in length.
5. For strip widths of between 25 and 50 feet, the length of the flowpath segment may vary proportionally between 100 and 200 feet in length.
6. For purposes of maintaining adequate separation of flows discharged from adjacent dispersion devices, the outer edge of the native vegetated flowpath segment for the strip of impervious surface must have at least 50 feet of separation from an adjacent flowpath segment at the downstream end of whichever segment is the shorter. **Exception:** where sheet flow from a nonnative pervious surface overlaps with the flowpath for sheet flow from an impervious surface, the impervious surface flowpath segment must be extended at least 1 foot for every 3 feet of nonnative pervious surface area **width** draining to the same flowpath.

*Note that width is measured in the general direction that runoff flows across the nonnative pervious surface.*

#### Design Specifications for Pervious Surface Sheet Flow (Full Dispersion)

1. The area of nonnative pervious surface being dispersed by sheet flow must have a *width*<sup>17</sup> of no more than 25 feet unless the native vegetated flowpath segment is longer than the 25-foot minimum length specified in Minimum Design Requirement 3 of Section C.2.1.1.
2. If the width of the nonnative pervious surface is greater than 25 feet, the vegetated flowpath segment must be extended 1 foot for every 3 feet of width beyond 25 feet up to a maximum width of 250 feet.
3. The topography of the nonnative pervious surface must be such that runoff will not concentrate prior to discharge from surface.
4. The vegetated flowpath segment for sheet flow from nonnative pervious surface may overlap with the flowpath segments for other dispersion devices provided adjustments are made to the length of those segments as specified in the design specifications for each dispersion device.

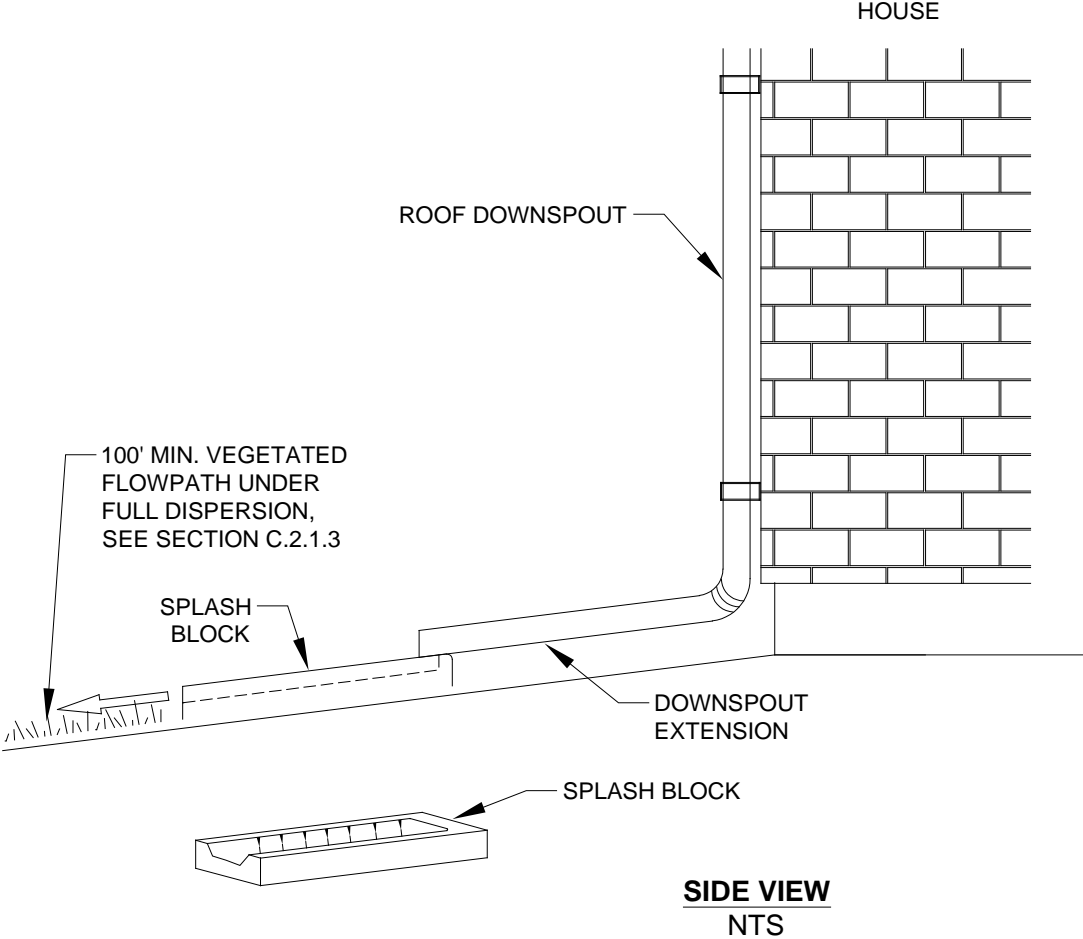
<sup>17</sup> *Width* is measured in the general direction that runoff flows across the area of nonnative pervious surface. For irregular-shaped areas, the width may be an average of distances along multiple paths of runoff across the nonnative pervious surface.

### C.2.1.7 FULL DISPERSION FIGURES AND SUMMARY INFORMATION

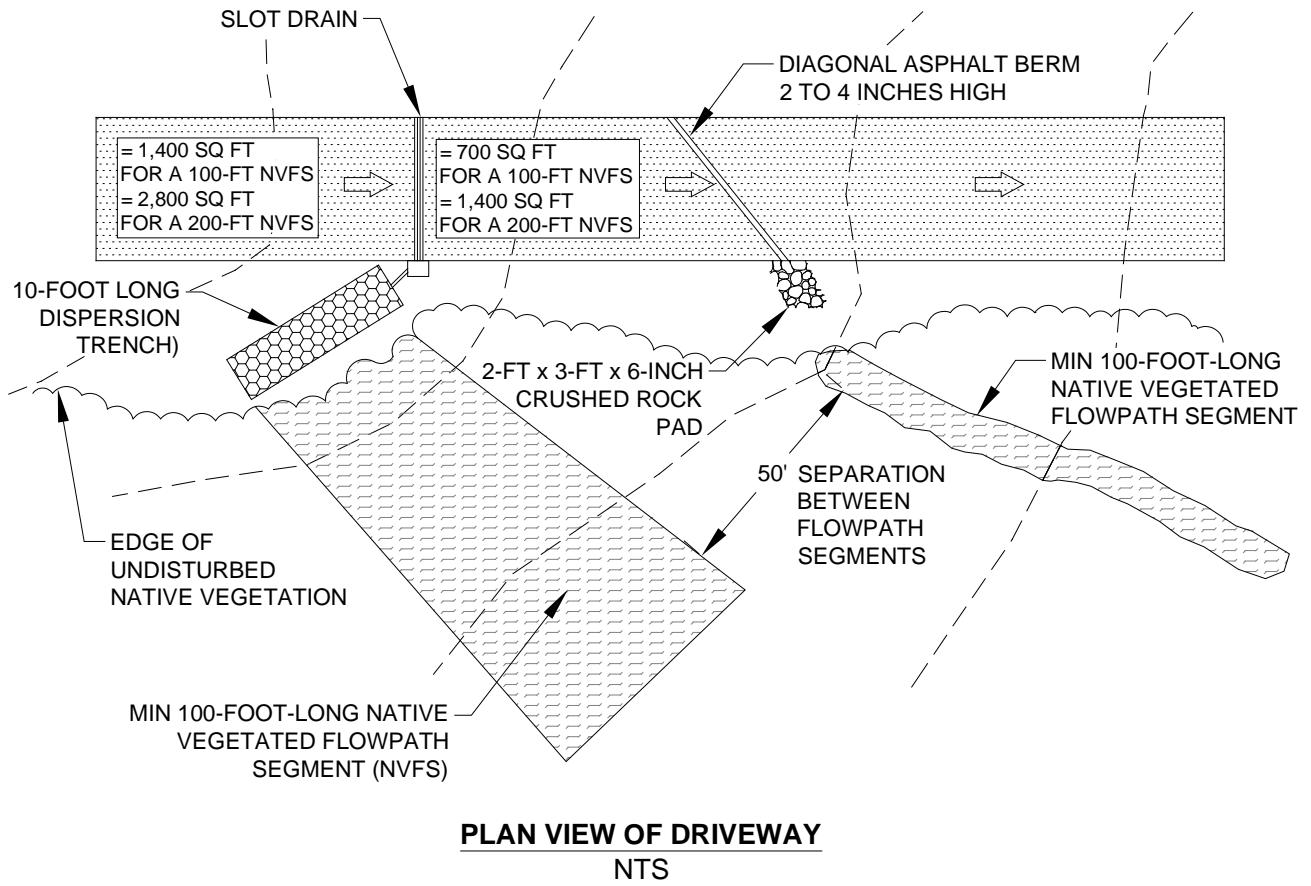
This section contains the figures referenced in the preceding sections for details on full dispersion devices and includes a useful summary table of the flowpath lengths and capacities of the dispersion devices. Table C.2.1.A applies to BMPs that are used to meet Full Dispersion requirements only. See Section C.2.4 for Basic Dispersion requirements.

<b>TABLE C.2.1.A SUMMARY OF DISPERSION DEVICE FLOWPATH LENGTHS AND CAPACITIES</b>				
<b>Full Dispersion Device</b>	<b>Native Vegetated Flowpath Length</b>	<b>Maximum Impervious Surface Amount</b>	<b>Maximum Nonnative Pervious Surface Amount</b>	
			<b>Non-Pasture</b>	<b>Pasture</b>
Splash Block	100 feet	700 sq ft	NA	NA
	200 feet	1,400 sq ft	NA	NA
Rock Pad	100 feet	700 sq ft	2,500 sq ft	8,000 sq ft
	200 feet	1,400 sq ft	5,000 sq ft	16,000 sq ft
10-foot Gravel Trench	100 feet	1,400 sq ft	5,000 sq ft	16,000 sq ft
	200 feet	2,800 sq ft	10,000 sq ft	32,000 sq ft
50-foot Gravel Trench	100 feet	5,000 sq ft	17,500 sq ft	54,450 sq ft
	200 feet	10,000 sq ft	35,000 sq ft	108,900 sq ft
Sheet Flow from Impervious Surface	100 feet	25-ft strip width	NA	NA
	200 feet	50-ft strip width	NA	NA
Sheet Flow from Nonnative Pervious Surface	25 feet	NA	25 feet of width in direction of flow	
	50 feet	NA	100 feet of width in direction of flow	
	75 feet	NA	175 feet of width in direction of flow	
	100 feet	NA	250 feet of width in direction of flow	

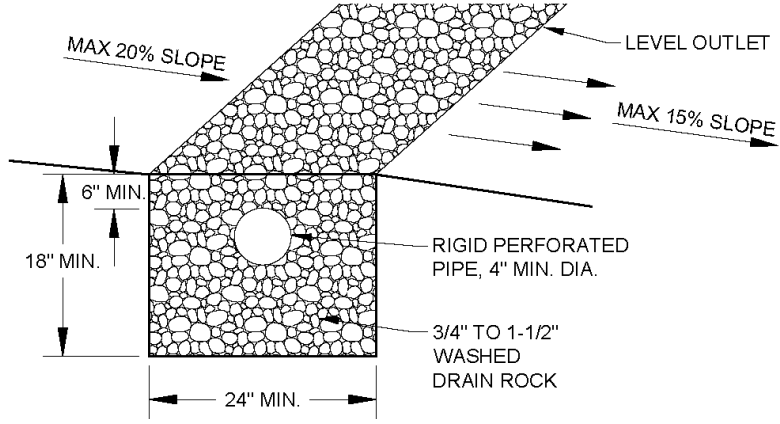
**FIGURE C.2.1.A SCHEMATIC REPRESENTATION OF A TYPICAL SPLASH BLOCK**



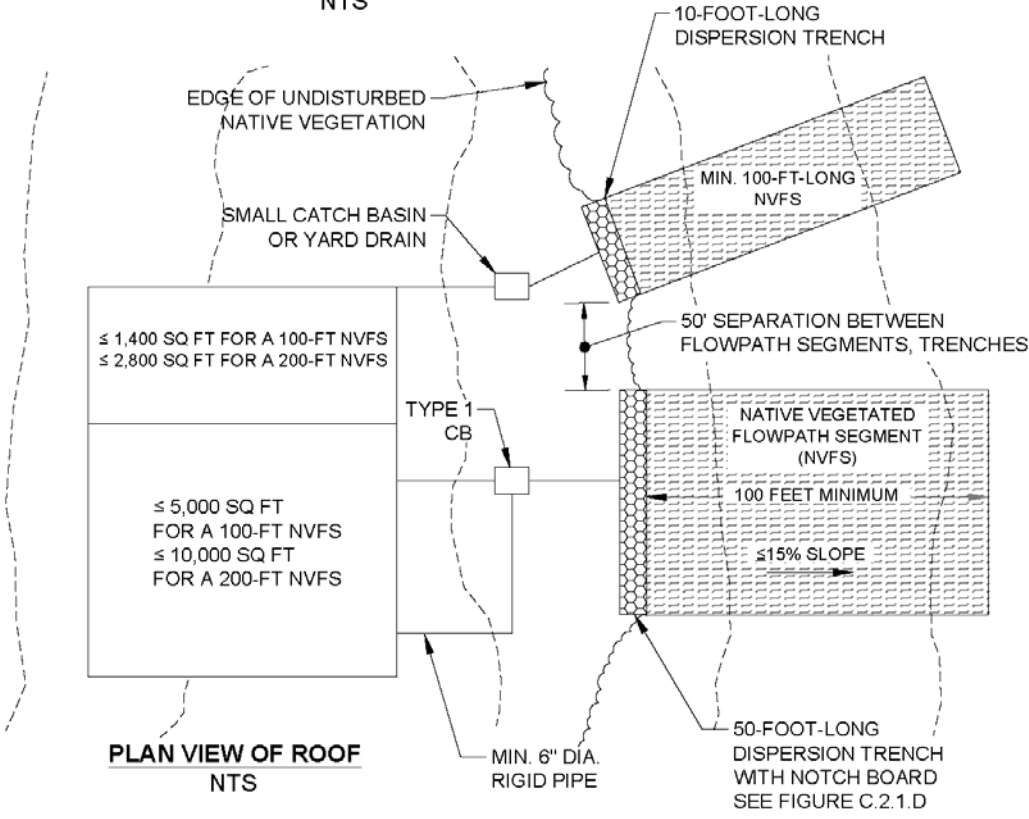
**FIGURE C.2.1.B SCHEMATIC REPRESENTATION OF A DRIVEWAY APPLICATION OF DISPERSION TRENCH AND ROCK PAD**



**FIGURE C.2.1.C SCHEMATIC REPRESENTATION OF A 10-FOOT DISPERSION TRENCH CROSS-SECTION AND ROOF APPLICATION**

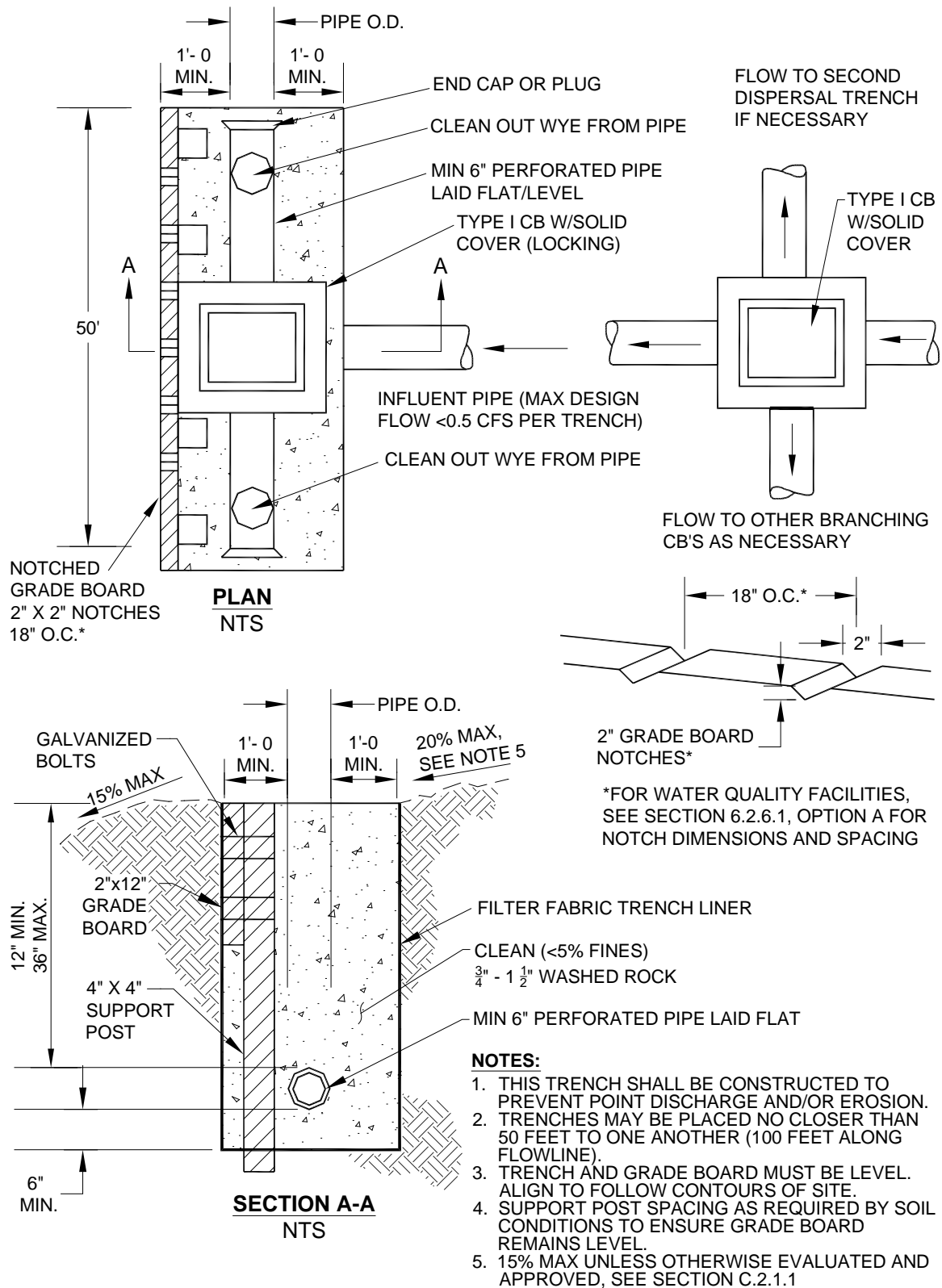


**TRENCH SECTION  
NTS**

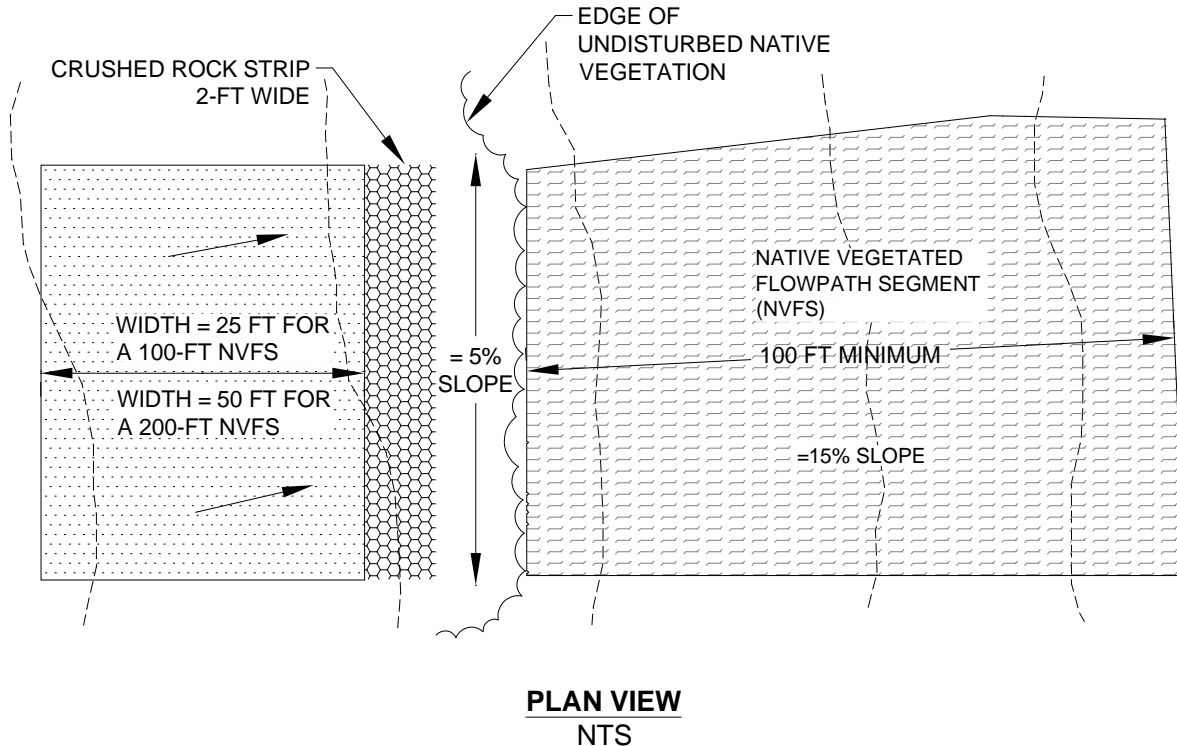


**PLAN VIEW OF ROOF  
NTS**

**FIGURE C.2.1.D SCHEMATIC REPRESENTATION OF A 50-FOOT DISPERSION TRENCH WITH NOTCHED BOARD**



**FIGURE C.2.1.E SCHEMATIC REPRESENTATION OF AN APPLICATION OF SHEET FLOW DISPERSION**



### C.2.1.8 NATIVE VEGETATED LANDSCAPE SPECIFICATIONS

*Native vegetated landscape* is basically the **manmade version of a native vegetated surface**. It may be used in situations where an applicant wishes to convert a previously developed surface to a **native vegetated surface** for purposes of meeting full dispersion requirements or code requirements for forest retention. Native vegetated landscape is intended to have the soil, vegetation, and runoff characteristics approaching that of natural forestland.

**Conversion of a developed surface to native vegetated landscape** requires the removal of impervious surface, de-compaction of soils, and the planting of native trees, shrubs, and ground cover in compost-amended soil according to all of the following specifications:

1. **Existing impervious surface** and any underlying base course (e.g., crushed rock, gravel, etc.) must be completely removed from the conversion area(s).
2. **Underlying soils** must be broken up to a depth of 18 inches. This can be accomplished by excavation or ripping with either a backhoe equipped with a bucket with teeth, or a ripper towed behind a tractor.
3. At least 4 inches of well-decomposed **compost** must be tilled into the broken up soil as deeply as possible. The finished surface should be gently undulating and must be only lightly compacted.
4. The area of native vegetated landscape must be **planted with native species** trees, shrubs, and ground cover from Table C.2.1.B. Species must be selected as appropriate for *site* shade and moisture conditions, and in accordance with the following requirements:
  - a) **Trees:** a minimum of two species of trees must be planted, one of which is a conifer. Conifer and other tree species must cover the entire landscape area at the spacing given in Table C.2.1.B.

- b) **Shrubs:** a minimum of two species of shrubs should be planted. Space plants to cover the entire landscape area, excluding points where trees are planted.
- c) **Groundcover:** a minimum of two species of ground cover should be planted. Space plants so as to cover the entire landscape area, excluding points where trees or shrubs are planted.

*Note: for landscape areas larger than 10,000 square feet, planting a greater variety of species than the minimum suggested above is strongly encouraged. For example, an acre could easily accommodate three tree species, three species of shrubs, and two or three species of groundcover.*

5. At least 4 inches of **hog fuel** or other suitable mulch must be placed between plants as mulch for weed control. It is also possible to mulch the entire area before planting; however, an 18-inch diameter circle must be cleared for each plant when it is planted in the underlying amended soil.

*Note: plants and their root systems that come in contact with hog fuel or raw bark have a poor chance of survival.*

6. Plantings must be **watered** consistently once per week during the dry season for the first two years.
7. The **plantings must be well established** on at least 90% of the converted area in order to be considered a **native vegetated surface**. A minimum of 90% plant survival is required after 3 years.

**Conversion of an area that was under cultivation to native vegetated landscape** requires a different treatment. Elimination of cultivated plants, grasses and weeds is required before planting and will be required on an on-going basis until native plants are well-established. The soil should be tilled to a depth of 18 inches. A minimum of 8 inches of soil having an organic content of 6 to 12 percent is required, or a four inch layer of compost may be placed on the surface before planting, or 4 inches of clean wood chips may be tilled into the soil, as recommended by a landscape architect or forester. After soil preparation is complete, continue with steps 4 through 7 above. Placing 4 inches of compost on the surface may be substituted for the hog fuel or mulch. For large areas where frequent watering is not practical, bare-root stock may be substituted at a variable spacing from 10 to 12 feet o.c. (with an average of 360 trees per acre) to allow for natural groupings and 4 to 6 feet o.c. for shrubs. Allowable bare-root stock types are 1-1, 2-1, P-1 and P-2. Live stakes at 4 feet o.c. may be substituted for willow and red-osier dogwood in wet areas.

**TABLE C.2.1.B SELECTED NATIVE VEGETATION, SIZE, AND SPACING REQUIREMENTS**

Species	Type	Sun and Moisture Preferences	Planted Size	Spacing
<b>TREES</b>				
Douglas fir ( <i>Pseudotsuga menziesii</i> )	conifer	Sun, dry to moist soil	5 gallon, 6'-7' B&B	12' o.c.
Western red cedar ( <i>Thuja plicata</i> )	conifer	Sun or shade, moist to wet soil	5 gallon, 6'-7' B&B	12' o.c.
Western hemlock ( <i>Tsuga heterophylla</i> )	conifer	Sun or shade, well-drained soil	5 gallon, 6'-7' B&B	12' o.c.
Sitka spruce ( <i>Picea sitchensis</i> )	conifer	Sun or shade, moist mineral soils to wet soils	5 gallon, 6'-7' B&B	12' o.c.
Shore Pine ( <i>Pinus contorta</i> var. <i>contorta</i> )	conifer	Sun to partial shade, dry to wet	5 gallon, 6'-7' B&B	12' o.c.
Western white pine ( <i>Pinus monticola</i> )	conifer	Sun to part shade, dry to moist	5 gallon, 6'-7' B&B	12' o.c.
Grand fir ( <i>Abies grandis</i> )	conifer	Sun to shade, dry to moist	5 gallon, 6'-7' B&B	12' o.c.



**TABLE C.2.1.B SELECTED NATIVE VEGETATION, SIZE, AND SPACING REQUIREMENTS**

Species	Type	Sun and Moisture Preferences	Planted Size	Spacing
<b>TREES (cont.)</b>				
Red alder ( <i>Alnus rubra</i> )	tree	Sun, a nitrogen fixer	5 gallon, 5'-6' B&B	12' o.c.
Bigleaf maple ( <i>Acer macrophyllum</i> )	tree	Sun or shade, dry to moist soil	5 gallon, 5'-6' B&B	12' o.c.
Black cottonwood ( <i>Populus trichocarpa</i> )	tree	Sun, wet soil	5 gallon, 5'-6' B&B	12' o.c.
Cascara ( <i>Rhamnus purshiana</i> )	tree/shrub	Sun to partial shade, dry to moist soil	5 gallon, 5'-6' B&B	8' o.c.
Pacific willow ( <i>Salix lucida</i> )	tree/shrub	Sun, damp soil	1 gallon 2 gallon 5 gallon	4' o.c. 6' o.c. 8' o.c.
<b>SHRUBS</b>				
Sitka willow ( <i>Salix sitchensis</i> )	shrub	Sun or shade, dry to damp soil	1 gallon 2 gallon 5 gallon	4' o.c. 6' o.c. 8' o.c.
Vine maple ( <i>Acer circinatum</i> )	shrub	Shade, moist to damp soils	1 gallon 2 gallon 5 gallon	4' o.c. 6' o.c. 8' o.c.
Filbert (hazelnut) ( <i>Corylus cornuta</i> )	shrub	Sun to shade, dry soil	1 gallon 2 gallon 5 gallon	4' o.c. 6' o.c. 8' o.c.
Red-osier dogwood ( <i>Cornus sericea</i> )	shrub	Sun to shade, moist to wet soil	1 gallon 2 gallon 5 gallon	4' o.c. 6' o.c. 8' o.c.
Salmonberry ( <i>Rubus spectabilis</i> )	shrub	Sun to shade, moist to wet soil	1 gallon 2 gallon 5 gallon	4' o.c. 6' o.c. 8' o.c.
Thimbleberry ( <i>Rubus parviflorus</i> )	shrub	Sun to partial shade, dry to moist soil	1 gallon 2 gallon 5 gallon	4' o.c. 6' o.c. 8' o.c.
Ocean spray ( <i>Holodiscus discolor</i> )	shrub	Sun to partial shade, dry	1 gallon 2 gallon 5 gallon	4' o.c. 6' o.c. 8' o.c.
Tall Oregon grape ( <i>Berberis aquifolium</i> )	shrub	Sun to shade, dry to moist soil	1 gallon	4' o.c.
Snowberry ( <i>Symphoricarpos albus</i> )	shrub	Sun to shade, dry to wet soil	1 gallon, 30"-36"	4' o.c.
Service berry ( <i>Amelanchier alnifolia</i> )	shrub	Sun to shade, dry to wet soil	1 gallon	6' o.c.
Indian plum ( <i>Oemleria cerasiformis</i> )	shrub	Sun to shade, moist soil	1 gallon	4' o.c.
Twinberry ( <i>Lonicera involucrata</i> )	shrub	Sun to partial shade, moist soil	1 gallon	4' o.c.

**TABLE C.2.1.B SELECTED NATIVE VEGETATION, SIZE, AND SPACING REQUIREMENTS**

Species	Type	Sun and Moisture Preferences	Planted Size	Spacing
<b>GROUND COVER</b>				
Evergreen huckleberry ( <i>Vaccinium ovatum</i> )	groundcover	Sun to partial shade, moist soil	1 gallon	2' o.c.
Kinnikinnick ( <i>Arctostaphylos uva-ursa</i> )	groundcover	Sun to partial shade, dry soil	1 gallon	2' o.c.
Salal ( <i>Gaultheria shallon</i> )	groundcover	Sun to shade, dry to moist soil	1 gallon	18" o.c.
Low Oregon grape ( <i>Mahonia repens</i> )	groundcover	Sun to partial shade, dry to moist soil	9"–12"	18" o.c.
Sword fern ( <i>Polystichum munitum</i> )	groundcover	Sun to deep shade, dry to moist soil	2 gallon	3' o.c.

### C.2.1.9 MAINTENANCE INSTRUCTIONS FOR FULL DISPERSION

If full dispersion is proposed for a project, maintenance and operation instructions must be recorded as an attachment to the required **declaration of covenant and grant of easement** per Requirement 3 of Section C.1.3.4. The intent of these instructions is to explain to future property owners, the purpose of the BMP and how it must be maintained and operated. These instructions are intended to be a minimum; CED may require additional instructions based on site-specific conditions. Future updates to the instructions will be posted on the City of Renton's *Surface Water Design Manual* website.

A reproducible copy of the instructions, prepared for inclusion with the declaration of covenant, is located in Reference Section 8-M.

## C.2.2 FULL INFILTRATION

This section presents the minimum design requirements and design specifications for "full infiltration" of runoff from impervious surfaces. *Full infiltration* means the use of BMPs that can "fully and reliably" infiltrate (i.e., soak) runoff into the ground. "Fully" in this context means all the runoff from nearly all storm events is soaked into the ground. "Reliably" means that the soil conditions are favorable enough to ensure that the device used to soak water into the ground (e.g., gravel filled trench, drywell, etc.) will perform as expected for a reasonable number of years before having to be replaced.

### Applicable Surfaces

Subject to the minimum design requirements and specifications in this section, full infiltration may be applied to any non-pollution generating impervious surface (e.g., approved non-pollution generating roof systems, sidewalks or patios) and to those pollution generating impervious surfaces (e.g., driveways, roads, parking areas, and pollution generating roof systems) where either the soil beneath the infiltration BMP has properties that reduce the risk of groundwater contamination from typical stormwater runoff or where a water quality facility provides treatment prior to infiltration as specified in Core Requirement #8 and Special Requirement #5 of the *SWDM*.

### Infeasibility Criteria

Full infiltration is considered infeasible and not required for projects that cannot meet the minimum design requirements listed below. Where geotechnical evaluation and approval is required for full infiltration that proposes to discharge towards or is within described setbacks of a ***steep slope hazard area, erosion hazard area, landslide hazard, or slopes greater than 15%***, full infiltration is considered infeasible and not required. Though not required in these circumstances, a project proponent may still opt to use full infiltration as long as the geotechnical evaluation and approval requirement is met.

### Operation and Maintenance

See Section C.2.2.6.

### C.2.2.1 REQUIRED SOILS REPORT

Many locations in the City have soils that are underlain by a compacted layer of soil (i.e., glacial till or hardpan) which severely limits soaking capacity and causes water to perch on the relatively impervious layer during the wet season. In other areas, soil does not have the properties that reduce the risk of groundwater contamination from typical stormwater runoff from pollution generating surfaces. These factors can make full infiltration of runoff impracticable, cost prohibitive, unreliable, or deleterious to groundwater quality. Thus, a soils report is necessary to identify soil types, soil characteristics, and depth to impermeable layers (hardpan) or the maximum wet season groundwater level.

For the purposes of determining if full infiltration of roof runoff is **mandatory** as outlined in Section C.1.3, the report is a requirement for any *site/lot* where full dispersion of runoff from **target impervious surface** is not feasible or applicable as specified in the individual lot BMP requirements in Sections C.1.3.1 and C.1.3.2. The report is also required for any **optional** use of full infiltration.

Detailed requirements for the soils report are found under “Required Soils Report” in Section 1.3.

### C.2.2.2 MINIMUM DESIGN REQUIREMENTS FOR FULL INFILTRATION

All of the following requirements must be met in order for full infiltration to be feasible and applicable to a **target impervious surface**:

1. As determined from the soils report required in Section C.2.2.1, all of the following soil conditions must be met in vicinity of where the infiltration system would be located:
  - a) Existing soils must be **coarse sands or cobbles or medium sands** and cannot be comprised of fill materials where the infiltration device will be located.

*Note: full infiltration may be possible in other types of soils or fill materials if designed by a **civil engineer** in accordance with the infiltration facility standards in Section 5.2 of the SWDM.*

- b) For purposes of determining whether full infiltration of roof runoff is mandatory as outlined in Section C.1.3, the distance measured down from the bottom of the infiltration device to the maximum wet season water table or hardpan must be at least 3 feet. For any optional or mandatory application of full infiltration, the distance measured down from the bottom must be at least 1 foot for a gravel filled infiltration system and 3 feet for a ground surface depression.
2. For purposes of determining whether full infiltration of roof runoff is feasible as outlined in Section C.1.3, one of the following **infiltration devices** must be used in accordance with the design specifications for each device set forth in Sections C.2.2.3, C.2.2.4, and C.2.2.5.

*Note: full infiltration may be possible using other types and sizes of infiltration devices if designed by a **civil engineer** in accordance with the infiltration facility standards in Section 5.2 of the SWDM.*

- **Gravel filled trenches** (see Section C.2.2.3)
  - **Drywells** (see Section C.2.2.4)
  - **Ground surface depressions** (see Section C.2.2.5)
3. A minimum 5-foot **setback** shall be maintained between any part of an infiltration device and any structure or property line. Larger setbacks from structures may be specified in the design specifications for each infiltration device.
  4. For *sites* with **septic systems**, infiltration devices must be located downgradient of the primary and reserve drainfield areas. CED review staff can waive this requirement if site topography clearly prohibits subsurface flows from intersecting the drainfield.
  5. Infiltration devices may not be placed in sensitive area buffers. Infiltration devices are not allowed in critical area **buffers** or on **slopes** steeper than 25% (4 horizontal to 1 vertical).

6. Infiltration devices are not allowed within 50 feet of a *steep slope hazard area, erosion hazard area, or landslide hazard*.
7. Infiltration devices proposed on slopes steeper than 15% must be approved by a *geotechnical engineer* or *engineering geologist* unless otherwise approved by CED. The geotechnical analysis must consider cumulative impacts from the project and surrounding areas under full built-out conditions.
8. Infiltration devices proposed near slopes steeper than 15% must be approved by a *geotechnical engineer* or *engineering geologist* if the facility is located within a setback from the top of slope equal to the total vertical height of the slope area that is steeper than 15% unless otherwise approved by CED. The geotechnical analysis must consider cumulative impacts from the project and surrounding areas under full built-out conditions.
9. Infiltration devices that direct overflow toward a slope steeper than 15% may require evaluation and approval of the proposal by a *geotechnical engineer* or *engineering geologist* as determined by CED. The geotechnical analysis must consider cumulative impacts from the project and surrounding areas under full built-out conditions.
10. Infiltration devices proposed within 200 feet of a *steep slope hazard area, erosion hazard area, or landslide hazard* must be approved by a *geotechnical engineer* or *engineering geologist* unless otherwise approved by CED. The geotechnical analysis must consider cumulative impacts from the project and surrounding areas under full built-out conditions.
11. The infiltration of runoff must not create **flooding or erosion impacts** as determined by CED. If runoff is infiltrated near or directs overflow towards a *landslide hazard, erosion hazard area, or steep slope hazard area*, CED may require evaluation and approval of the proposal by a *geotechnical engineer* or *engineering geologist*. The geotechnical analysis must consider cumulative impacts from the project and surrounding areas under full built-out conditions.
12. Infiltration of runoff from pollution generating surfaces (e.g., roadways, driveways, parking areas, and pollution generating roof systems) is only allowed when soil beneath the BMP has properties that reduce the risk of groundwater contamination from typical stormwater runoff. Such properties are defined in Section 5.2.1 of the *SWDM*. Where soils do not have the required groundwater protection properties, applicants have the option to provide a water quality facility that provides treatment prior to infiltration as specified in Core Requirement #8 and Special Requirement #5 of the *SWDM*. However, for determining feasibility of this BMP, this option is not required to be considered.
13. Underground Injection Control Program (UIC) administered by WA Ecology protects groundwater quality by regulating discharges to UIC wells. WA Ecology adopted revisions to Chapter 173-218 WAC, the Underground Injection Control (UIC) program rules, on January 3, 2006. The newly adopted revisions went into effect on February 3, 2006. These rules require the registration of new injection wells that manage stormwater. Information regarding these new regulations may be found at Ecology's Underground Injection Control Program website, <http://www.ecy.wa.gov/programs/wq/grndwtr/uic/index.html>.
14. UIC wells are manmade structures used to discharge fluids into the subsurface. Examples are drywells, infiltration trenches with perforated pipe, and any structure deeper than the widest surface dimension (see Reference 6 or Ecology's UIC Program website for the Underground Injection Control (UIC) Program Class V Well Identification Guide provided by WA Ecology). In general, infiltration systems that have buried pipe, tanks, or vaults would be considered injection wells, but systems managing runoff only from single-family or duplex roofs, or used to control basement flooding, are exempt. Open ponds are not considered injection wells.
15. If Underground Injection Control (UIC) registration is required by Ecology for the proposed design, a copy of the registration, or the Ecology-issued System ID provided at registration, shall be provided by the applicant prior to plan approval or permit issuance by the City (see Section 2.3.1.1 Technical Information Report (TIR), TIR Section 7 Other Permits and Section 5.4.1 of the *SWDM*).

### C.2.2.3 USE OF GRAVEL FILLED TRENCHES FOR FULL INFILTRATION

Gravel filled trenches (also called “**infiltration trenches**”) are a good option where the depth to the maximum wet-season water table or hardpan is between 3 and 6 feet. Figure C.2.2.A and Figure C.2.2.B illustrate the specifications for gravel filled trench systems as outlined below:

1. When located in coarse sands or cobbles, infiltration trenches must be at least 20 feet in **length** per 1,000 square feet of impervious surface served. When located in medium sands, infiltration trenches must be at least 30 feet in length per 1,000 square feet of impervious surface served.
2. **Maximum trench length** must not exceed 100 feet from the inlet sump.
3. The **trench width** must be a minimum of 2 feet.
4. The trench must be filled with at least 18 inches of  $\frac{3}{4}$ -inch to  $1\frac{1}{2}$ -inch **washed drain rock**. The drain rock may be covered with backfill material as shown in Figure C.2.2.A or remain exposed at least 6 inches below the lowest surrounding ground surface as shown in Figure C.2.2.B.
5. **Filter fabric** (geotextile) must be placed on top of the drain rock (if proposed to be covered with backfill material) and on the trench sides prior to filling with the drain rock.
6. **Spacing** between trench centerlines must be at least 6 feet.
7. Infiltration trenches must be **setback** at least 15 feet from buildings with crawl space or basement elevations that are below the overflow point of the infiltration system.
8. To prevent damage to overlying pavement, **trenches located beneath pavement** shall be constructed such that the trench pipe is connected to a small yard drain or catch basin with a grate cover so that if the trench infiltration capacity is exceeded, the overflow would occur out of the catch basin at an elevation at least one foot below that of any overlying pavement, and in a location that provides a safe path for the overflow.
9. Runoff from roadways, driveways, and parking areas shall pass through a yard drain or catch basin fitted with a **down-turned elbow** prior to entering the infiltration trench (see Figure C.2.2.A). The elbow is intended to trap spilled material in the catch basin sump so that the spilled material can be cleaned up more easily by the homeowner.

### C.2.2.4 USE OF DRYWELLS FOR FULL INFILTRATION

Drywells are gravel filled holes as opposed to trenches and therefore may allow for a more compact design in areas where the depth to the maximum wet-season water table is relatively deep (e.g., 6 feet or greater). Figure C.2.2.C illustrates the specifications for drywell infiltration systems as outlined below:

1. When located in coarse sands and cobbles, drywells must contain a **volume of gravel** equal to or greater than 60 cubic feet per 1,000 square feet of impervious surface served. When located in medium sands, drywells must contain at least 90 cubic feet of gravel per 1,000 square feet of impervious surface served.
2. Drywells must be at least 48 inches in **diameter** and deep enough to contain the gravel amounts specified above for the soil type and impervious surface area served.
3. The gravel used for drywells must be  $1\frac{1}{2}$ -inch to 3-inch **washed drain rock**. The drain rock may be covered with backfill material as shown in Figure C.2.2.C or remain exposed at least 6 inches below the lowest surrounding ground surface.
4. **Filter fabric** (geotextile) must be placed on top of the drain rock (if proposed to be covered with backfill material) and on the drywell sides prior to filling with the drain rock.
5. **Spacing** between drywells shall be a minimum of 10 feet.
6. Drywells must be **setback** at least 15 feet from buildings with crawl space or basement elevations that are below the overflow point of the drywell.

### C.2.2.5 USE OF GROUND SURFACE DEPRESSIONS FOR FULL INFILTRATION

Ground surface depressions (also called “**infiltration depressions**”) are another option for full infiltration if the maximum wet-season water table or hardpan is at least 3 feet below the bottom of the depression. Figure C.2.2.D illustrates the specifications for infiltration depressions as outlined below:

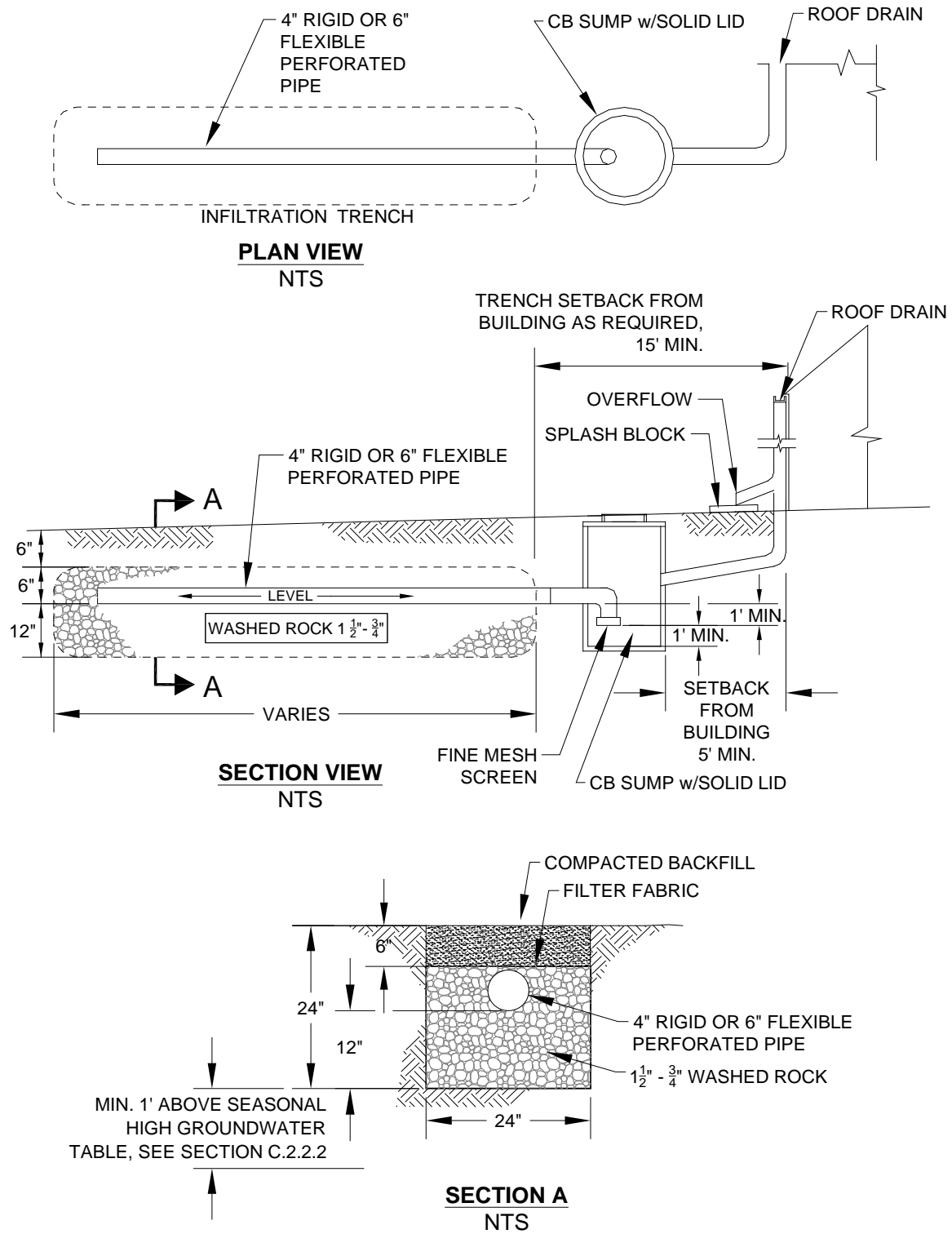
1. When located in coarse sands or cobbles, infiltration depressions must be able to store at least 40 cubic feet of stormwater per 1,000 square feet of impervious surface served. When located in medium sands, ground surface depressions must be able to store at least 60 cubic feet of stormwater per 1,000 square feet of impervious surface served. This **volume of water storage** must be achieved through the excavation of existing native soil, not through the construction of berms.
2. The stormwater storage areas of infiltration depressions must be at least 12 inches in **depth** with a minimum 6 inches of freeboard before overflow.
3. The depression **overflow point** must be at least 6 inches below any adjacent pavement area and must be situated so that overflow does not cause erosion damage or unplanned inundation.
4. The depression **side slopes** must be no steeper than 3 horizontal to 1 vertical.
5. **Spacing** between multiple infiltration depressions shall be a minimum of 4 feet.
6. Infiltration depressions must be **setback** at least 15 feet from buildings with crawl space or basement elevations that are below the overflow point of the infiltration depression.
7. Infiltration depressions may be any **size** or **shape** provided the above specifications and the minimum design requirements in Sections C.2.2.2 and C.2.2.3 are met.
8. The ground surface of the infiltration depression must be **vegetated** with grass or other dense ground cover.

### C.2.2.6 MAINTENANCE INSTRUCTIONS FOR FULL INFILTRATION

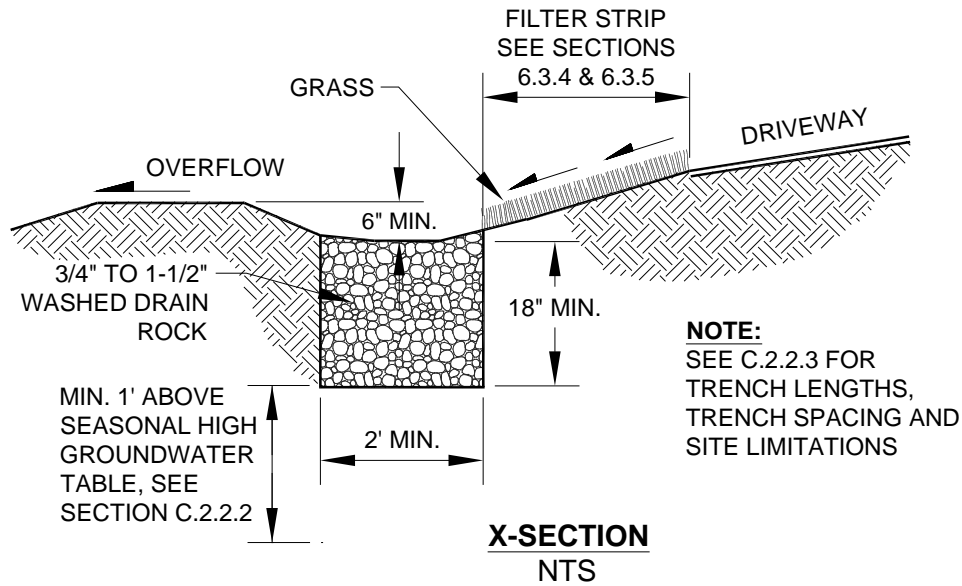
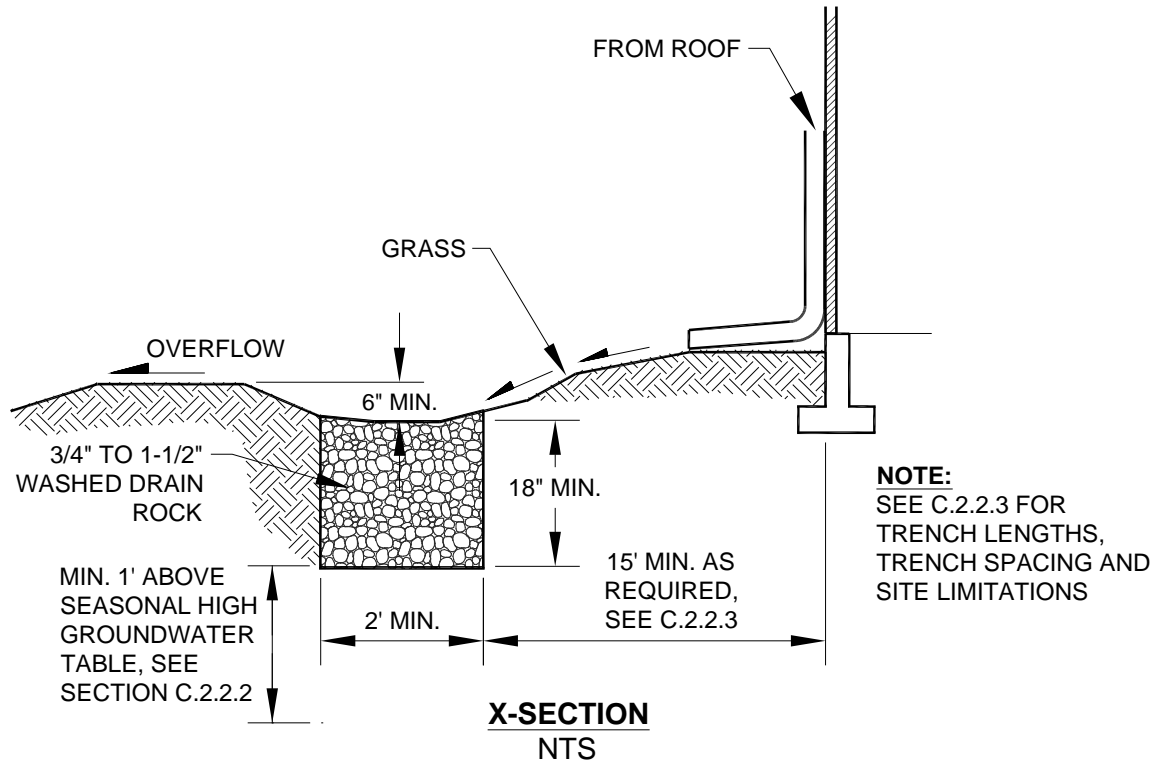
If the full infiltration on-site BMP is proposed for a project, maintenance and operation instructions must be recorded as an attachment to the required **declaration of covenant and grant of easement** per Requirement 3 of Section C.1.3.4. The intent of these instructions is to explain to future property owners, the purpose of the BMP and how it must be maintained and operated. These instructions are intended to be a minimum; CED may require additional instructions based on site-specific conditions. Future updates to the instructions will be posted on City of Renton’s *Surface Water Design Manual* website.

A reproducible copy of the instructions, prepared for inclusion with the declaration of covenant, is located in Reference Section 8-M.

**FIGURE C.2.2.A SCHEMATIC REPRESENTATION OF A TYPICAL TRENCH INFILTRATION SYSTEM**

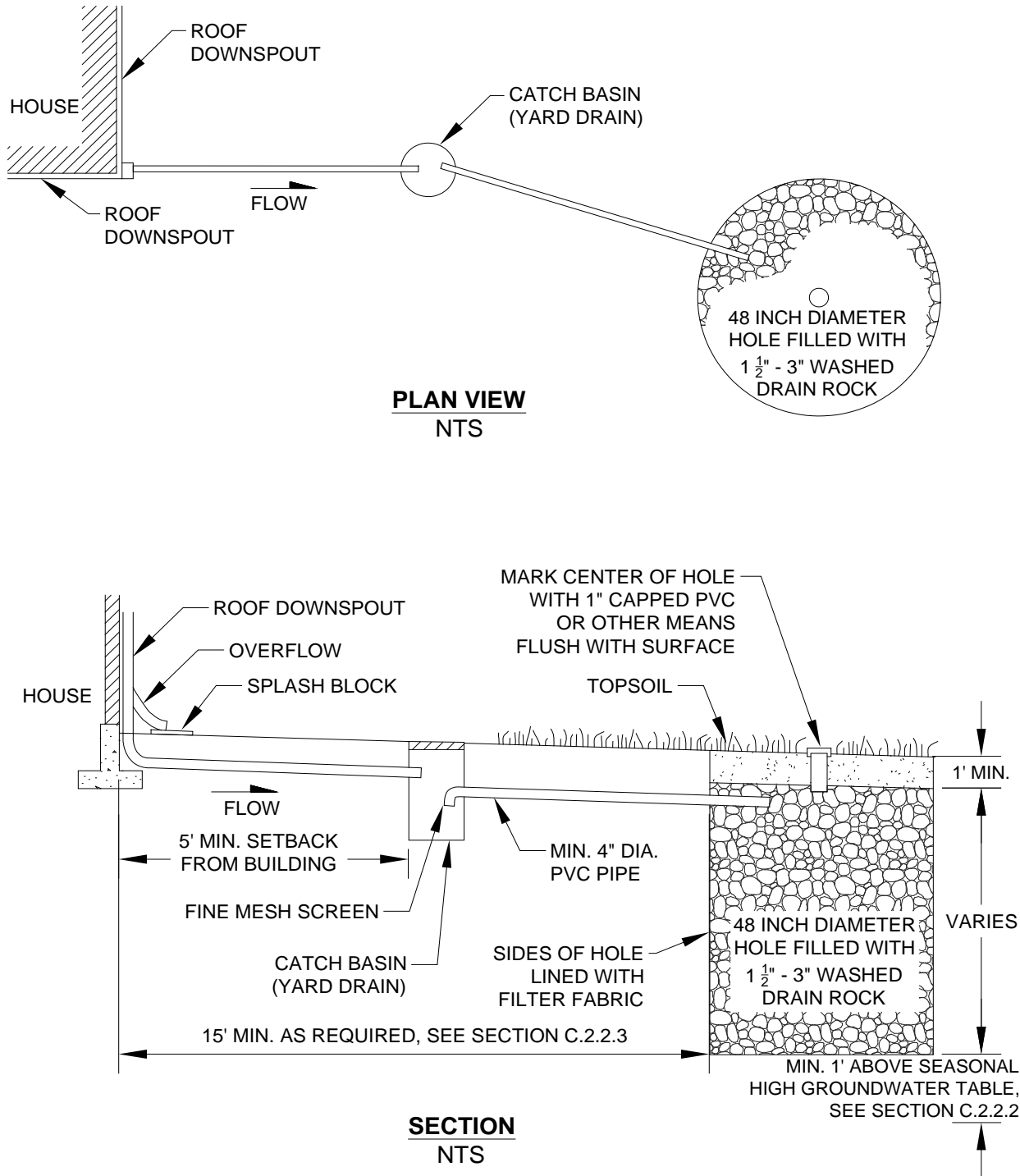


**FIGURE C.2.2.B SCHEMATIC REPRESENTATION OF AN ALTERNATIVE TRENCH INFILTRATION SYSTEM**

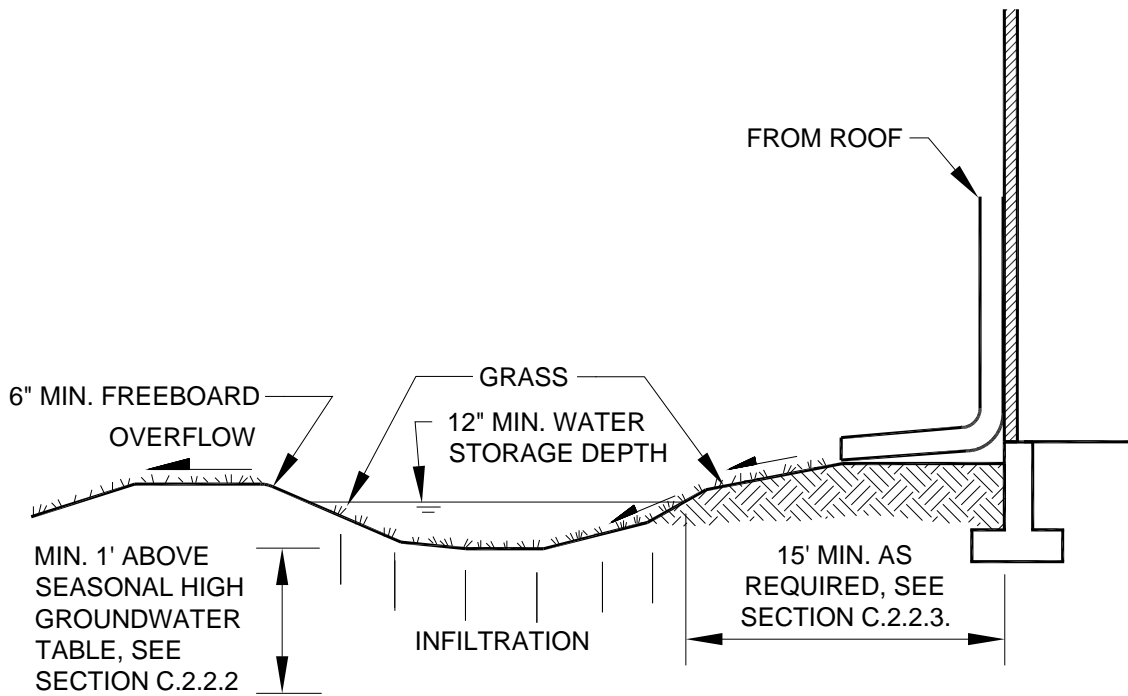




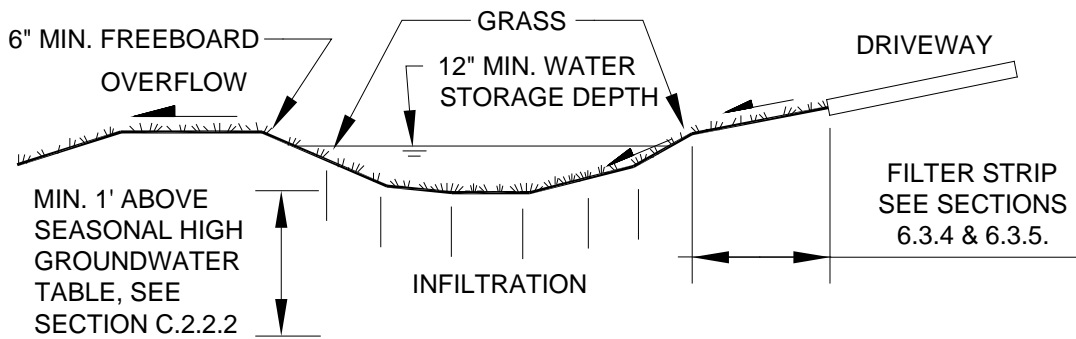
**FIGURE C.2.2.C SCHEMATIC REPRESENTATION OF A TYPICAL DRYWELL INFILTRATION SYSTEM**



**FIGURE C.2.2.D SCHEMATIC REPRESENTATION OF A TYPICAL GROUND SURFACE DEPRESSION INFILTRATION SYSTEM**



**SECTION  
NTS**



**SECTION  
NTS**

## C.2.3 LIMITED INFILTRATION

*Limited infiltration* is the use of infiltration devices from Section C.1.1 in soils that are not as permeable as the medium sands or coarse sands/cobbles targeted for full infiltration in Section C.1.1. These less desirable soils include fine sands, loamy sands, sandy loams, and loams, which tend to be more variable in permeability, more frequently saturated during the wet season, and more prone to plugging over time. While full infiltration may be possible under the best of these soil conditions, in the long run, these conditions will conspire to limit average infiltration capacity to something much less than that of full infiltration. Therefore, using limited infiltration as specified in this section will not be credited the same as using full infiltration as specified in Section C.1.1.

### Applicable Surfaces

Subject to the minimum design requirements and specifications in this section, limited infiltration may be applied to any non-pollution generating impervious surface (e.g., approved roofs, sidewalks, or patio) and to those pollution generating impervious surfaces (e.g., driveway, road, or parking area) where the soil beneath the infiltration BMP has properties that reduce the risk of groundwater contamination from typical stormwater runoff or where a water quality facility provides treatment prior to infiltration as specified in Core Requirement #8 and Special Requirement #5 of the *SWDM*.

### Infeasibility Criteria

Limited infiltration is considered infeasible and not required for projects that cannot meet the minimum design requirements listed below. Where geotechnical evaluation and approval is required for limited infiltration that proposes to discharge towards or is within described setbacks of a *steep slope hazard area*, *erosion hazard area*, *landslide hazard*, or *slopes greater than 15%*, limited infiltration is considered infeasible and not required. Though not required in these circumstances, a project proponent may still opt to use limited infiltration as long as the geotechnical evaluation and approval requirement is met.

### Operation and Maintenance

See Section C.2.3.5.

### C.2.3.1 REQUIRED SOILS REPORT

In order to properly design limited infiltration devices, a soils report is required to identify soil types, soil characteristics, the depth to impermeable layers (i.e., hardpan) and to the maximum wet season groundwater level. Detailed requirements for the soils report are found under “Required Soils Report” in Section C.1.3. In many cases, this report will have already been prepared as required in Sections C.1.3.1 and C.1.3.2 for lots where full dispersion is not feasible or applicable to *target impervious surface* per Section C.2.1.

### C.2.3.2 MINIMUM DESIGN REQUIREMENTS FOR LIMITED INFILTRATION

The minimum design requirements for limited infiltration are the same as those for full infiltration, except infiltration depressions are excluded and existing soils in the location of the infiltration device may be fine sands, loamy sands, sandy loams, or loams as opposed to only medium sands or better.

*Note that gravel and medium sand soils used for full infiltration correspond to Soil Types 1A, 1B, 2A, and 2B in the Soil Textural Classification system used for onsite septic system design; fine sands are Type 3; and loamy sands, sandy loams and loams are Type 4 soils. Silt and clay loams, and cemented till (hardpan) are not suitable for limited infiltration systems.*

### C.2.3.3 USE OF GRAVEL FILLED TRENCHES FOR LIMITED INFILTRATION

The specifications for use of gravel filled trenches for limited infiltration are the same as those used for full infiltration, except that the required **trench lengths** are as follows:

**For each 1,000 square feet of tributary impervious surface:**

Rainfall region SeaTac 1.0 and less: (a) 21 feet if the soil is a fine sand/loamy sand, (b) 36 feet if the soil is a sandy loam, or (c) 52 feet if the soil is a loam.

Rainfall regions greater than SeaTac 1.0: (d) 48.3 feet if the soil is a fine sand/loamy sand, (e) 60.5 feet if the soil is a sandy loam, or (f) 73 feet if the soil is a loam.

### C.2.3.4 USE OF DRYWELLS FOR LIMITED INFILTRATION

The specifications for use of drywells for limited infiltration are the same as those used for full infiltration, except that the required **gravel volumes** are as follows:

**For each 1,000 square feet of tributary impervious surface:**

(a) 315 cubic feet if the soil is a fine sand/loamy sand, (b) 360 cubic feet if the soil is a sandy loam, or (c) 407 cubic feet if the soil is a loam.

*Note: For projects using the BMP list approach to comply with Core Requirement #9 (On-Site BMPs), the drywell sizing cited is restricted to configurations with a maximum depth of 5 feet and a minimum area footprint of 12.56 square feet. Projects that are using hydraulic modeling to demonstrate compliance with the LID Performance Standard to meet Core Requirement #9 (On-Site BMPs) may propose deeper configurations subject to other applicable design criteria and limitations.*

### C.2.3.5 MAINTENANCE INSTRUCTIONS FOR LIMITED INFILTRATION

If the limited infiltration on-site BMP is proposed for a project, maintenance and operation instructions must be recorded as an attachment to the required **declaration of covenant and grant of easement** per Requirement 3 of Section C.1.3.4. The intent of these instructions is to explain to future property owners, the purpose of the BMP and how it must be maintained and operated. These instructions are intended to be a minimum; CED may require additional instructions based on site-specific conditions. Future updates to the instructions will be posted on City of Renton's *Surface Water Design Manual* website.

A reproducible copy of the instructions, prepared for inclusion with the declaration of covenant, is located in Reference Section 8-M.

## C.2.4 BASIC DISPERSION

*Basic dispersion* is the application of dispersion devices that utilize any available capacity of onsite vegetated areas to mitigate the runoff quantity and quality impacts from developed surfaces (i.e., impervious and nonnative pervious surfaces). The requirements for basic dispersion are less restrictive than full dispersion (Section C.2.1) in that any type of vegetation cover is allowed, the flowpath lengths through the vegetation are shorter, and there is no requirement to preserve **native vegetated surface** (e.g., forested surface) or minimize developed surface. As such, its mitigation of runoff impacts is significantly lower than that of full dispersion.

### Applicable Surfaces

Subject to the minimum design requirements and specifications in this section, basic dispersion may be applied to any impervious surface such as a roof, driveway, parking area, road, or sidewalk. Basic dispersion may also be used to disperse runoff from nonnative pervious surface (e.g., lawns, landscaped areas, or pastures) if runoff from these surfaces is concentrated.

## Infeasibility Criteria

Basic dispersion is considered infeasible and not required for projects that cannot meet the minimum design requirements listed below. Where geotechnical evaluation and approval is required for basic dispersion that proposes to discharge towards or is within described setbacks of a *steep slope hazard area*, *erosion hazard area*, *landslide hazard*, or *slopes greater than 15%*, basic dispersion is considered infeasible and not required. Though not required in these circumstances, a project proponent may still opt to use basic dispersion as long as the geotechnical evaluation and approval requirement is met.

## Operation and Maintenance

See Section C.2.4.6.

### C.2.4.1 MINIMUM DESIGN REQUIREMENTS FOR BASIC DISPERSION

All of the following requirements must be met in order for basic dispersion to be applicable to a target impervious or pervious surface:

1. Runoff from the target impervious or pervious surface must be discharged using one of the following **dispersion devices** in accordance with the design specifications and maximum area of developed surface for each device as set forth in Sections C.2.4.2 through C.2.4.5:
  - **Splash blocks** (see Section C.2.4.2)
  - **Rock pads** (see Section C.2.4.3)
  - **Gravel filled trenches** (see Section C.2.4.4)
  - **Sheet flow** (see Section C.2.4.5)
2. Each device must discharge runoff such that it flows over a minimum distance of vegetated area called the “**vegetated flowpath segment**.” The minimum distance, or length of the flowpath segment, is specified in the design specifications for each device. The “vegetated flowpath segment” itself must meet all of the following criteria:
  - a) The flowpath segment must be over well-established lawn or pasture, landscaping with well-established groundcover, or native vegetation with natural groundcover. The groundcover must be dense enough to help disperse and infiltrate flows and to prevent erosion.
  - b) The flowpath segment must be **onsite or in an offsite tract or easement** area reserved for such dispersion.
  - c) The **slope** of the flowpath segment must be no steeper than 15% for any 20-foot reach of the flowpath segment.
  - d) The flowpath segment must be **located** between the dispersion device and any downstream impervious surface or drainage feature such as a pipe, ditch, stream, river, pond, lake, or wetland. All or a portion of the flowpath segment may be located within a critical area buffer.
3. For *sites* with **septic systems**, the discharge of runoff from dispersion devices must be located down slope of the primary and reserve drainfield areas. CED review staff may waive this requirement if *site* topography clearly prohibits discharged flows from intersecting the drainfield.
4. Dispersion devices are not allowed in critical area **buffers** or on **slopes** steeper than 20%.
5. Dispersion devices are not allowed within 50 feet of a *steep slope hazard area*, *erosion hazard area*, or *landslide hazard*.
6. Dispersion devices proposed on slopes steeper than 15% must be approved by a **geotechnical engineer** or **engineering geologist** unless otherwise approved by the CED. The geotechnical analysis must consider cumulative impacts from the project and surrounding areas under full built-out conditions.

7. Dispersion devices proposed near slopes steeper than 15% must be approved by a **geotechnical engineer** or **engineering geologist** if the facility is located within a setback from the top of slope equal to the total vertical height of the slope area that is steeper than 15% unless otherwise approved by the CED. The geotechnical analysis must consider cumulative impacts from the project and surrounding areas under full built-out conditions.
8. Dispersion devices that direct runoff toward a slope steeper than 15% may require evaluation and approval of the proposal by a **geotechnical engineer** or **engineering geologist** as determined by CED. The geotechnical analysis must consider cumulative impacts from the project and surrounding areas under full built-out conditions.
9. Dispersion devices proposed within 200 feet of a **steep slope hazard area**, **erosion hazard area**, or **landslide hazard** must be approved by a **geotechnical engineer** or **engineering geologist** unless otherwise approved by the CED. The geotechnical analysis must consider cumulative impacts from the project and surrounding areas under full built-out conditions.
10. The dispersion of runoff must not create **flooding or erosion impacts** as determined by the CED. If runoff is discharged toward a **landslide hazard**, **erosion hazard area**, or **steep slope hazard area**, CED may require evaluation and approval of the proposal by a **geotechnical engineer** or **engineering geologist**. The geotechnical analysis must consider cumulative impacts from the project and surrounding areas under full built-out conditions.

#### C.2.4.2 USE OF SPLASH BLOCKS FOR BASIC DISPERSION

Splash blocks are the simplest way to disperse flows from a roof area. Downspout splash blocks or downspout/drain extensions with splash blocks are often the only hardware required for this type of system. Vegetated flowpaths do the work of slowing and cleaning stormwater runoff. In general, if the ground is sloped away from the foundation, and there is adequate vegetation and area for effective dispersion, splash blocks will adequately disperse storm runoff. If the ground is fairly level, or if the structure includes a basement, or if foundation drains are proposed, splash blocks with downspout extensions may be a better choice because the discharge point is moved away from the foundation. Downspout extensions may include piping to a splash block that is a considerable distance from the roof downspout, provided the runoff can travel through a well-vegetated area as described below.

**Uses:** Roofs where runoff is collected and discharged via downspouts.

##### **Design Specifications**

Figure C.2.4.A shows details of a roof downspout and splash block. The following specifications apply to use of splash blocks for basic dispersion:

1. No more than 700 square feet of roof area may be drained to a single splash block.
2. A “vegetated flowpath segment” of at least 50 feet in length must be available along the flowpath that runoff would follow upon discharge from the splash block.
3. For purposes of maintaining adequate separation of flows discharged from adjacent dispersion devices, the vegetated flowpath segment for the splash block must not overlap with other flowpath segments, except those associated with sheet flow from a nonnative pervious surface.

#### C.2.4.3 USE OF ROCK PADS FOR BASIC DISPERSION

Pads of crushed rock, 2 feet wide (perpendicular to flow) by 3 feet long by 6 inches deep, may be used as a dispersion device to discharge concentrated runoff from small amounts of impervious surface or nonnative pervious surface.

**Uses:** Roofs, driveways, lawns, pasture, etc. from which runoff is concentrated in a downspout, gutter, pipe, yard drain, ditch, swale, etc.

### Design Specifications

Figure C.2.4.C shows two possible ways of spreading flows from steep driveways. The following specifications apply to use of rock pads for basic dispersion:

1. No more than 700 square feet of impervious surface (or 5,000 square feet of nonnative pervious surface) may be drained to a single rock pad.
2. A “vegetated flowpath segment” of at least 50 feet in length as illustrated in Figure C.2.4.C must be available along the flowpath that runoff would follow upon discharge from the rock pad.
3. The pad of crushed rock shall be 2 feet wide by 3 feet long by 6 inches deep.
4. For purposes of maintaining adequate separation of flows discharged from adjacent dispersion devices, the vegetated flowpath segment for the rock pad must not overlap with other flowpath segments, except those associated with sheet flow from a nonnative pervious surface.

#### C.2.4.4 USE OF GRAVEL FILLED TRENCHES FOR BASIC DISPERSION

Where dispersion of concentrated flows through 50 feet of vegetation is not feasible, such as on a small or highly constrained *site*, a gravel filled trench (also called a **dispersion trench**) may be used to “unconcentrate” flows. Dispersion trenches provide some storage for runoff, promote infiltration, and spread concentrated flows so that a shorter vegetated flowpath length can be used at the trench outlet. This BMP is more expensive than the simple dispersion systems described above, and must be carefully constructed to be effective.

**Uses:** Roofs, driveways, lawns, pasture, etc. from which runoff is concentrated in a downspout, yard drain, pipe, drainage tile, etc.

### Design Specifications

Figure C.2.4.B shows two types of dispersion trenches that may be used, a “simple 10-foot trench” and a maximum “50-foot trench with notch board.” The 50-foot trench with notch board is further detailed in Figure C.2.1.D. These gravel filled trenches must meet the following specifications for basic dispersion:

1. No more than 700 square feet of impervious surface (or 5,000 square feet of nonnative pervious surface) may be drained to a simple 10-foot dispersion trench. Up to 3,500 square feet of impervious surface (or 25,000 square feet of nonnative pervious surface) may be drained to a 50-foot trench with notch board. Smaller lengths of trench with notch board may be used at a ratio of 10 feet of trench per 700 square feet of impervious surface (or 5,000 square feet of nonnative pervious surface).
2. A “vegetated flowpath segment” of at least 25 feet in length must be available along the flowpath that runoff would follow upon discharge from a dispersion trench. This length must be increased to 50 feet if the discharge is toward a *steep slope hazard area* or a *landslide hazard* steeper than 15%. All or a portion of the vegetated flowpath segment may be within the buffer for the *steep slope hazard area* or *landslide hazard*.
3. The simple 10-foot trench illustrated in Figure C.2.4.B must be at least 2-feet wide by 18-inches deep. The maximum 50-foot trench with notch board detailed in Figure C.2.1.D must be at least 2-feet wide by 24-inches deep.
4. All trenches must be filled with  $\frac{3}{4}$  to 1 $\frac{1}{2}$ -inch washed rock.
5. All trenches must be placed at least 10 feet from any building and must be parallel as possible to the contour of the ground. A setback of at least 5 feet must be maintained between any edge of a trench and the property line.
6. For purposes of maintaining adequate separation of flows discharged from adjacent dispersion devices, the outer edge of the vegetated flowpath segment for the dispersion trench must not overlap with other flowpath segments, except those associated with sheet flow from a nonnative pervious surface.

### C.2.4.5 USE OF SHEET FLOW FOR BASIC DISPERSION

Sheet flow, as a dispersion device, is the grading of a developed surface (either a strip of impervious surface or a width of nonnative pervious surface) as needed to avoid the concentration of runoff before and after discharge from the surface. Two types of sheet flow, one for impervious surface and one for pervious surface, are detailed in this section.

**Uses:** Flat or moderately sloping surfaces (<15% slope) such as driveways, sport courts, patios, roofs without gutters, lawns, pastures, etc.; or any situation where concentration of flows can be avoided.

#### Design Specifications for Impervious Surface Sheet Flow (Basic Dispersion)

Figure C.2.4.D illustrates a typical use of sheet flow dispersion for impervious surface in accordance with the following specifications:

1. The strip of impervious surface may be either roof (with no gutter) or pavement. The edge of the target impervious strip and the ground adjacent to or immediately below the edge must be either level or sloped such that the direction of sheet flow is perpendicular to the edge or no more than 45 degrees from perpendicular.
2. A 2-foot-wide, 4-to-6 inch-deep, strip of crushed rock or the extended base course of a road or driveway must be provided at or below the edge of the impervious strip to facilitate dispersal of runoff. This requirement may be waived for use of *reverse slope sidewalks*<sup>18</sup> and other impervious strips that are 10-foot wide or less.
3. A “vegetated flowpath segment” of at least 10 feet in length must be available along the flowpath that runoff would follow upon discharge from the strip of crushed rock.
4. No more than a 20-foot-wide strip of impervious surface may be sheet flowed in this manner unless the length of vegetated flowpath segment is increased 10 feet for each additional 20 feet of impervious surface width or fraction thereof.
5. For purposes of maintaining adequate separation of flows discharged from adjacent dispersion devices, the outer edge of the vegetated flowpath segment for the strip of impervious surface must not overlap with other flowpath segments, except those associated with sheet flow from a nonnative pervious surface.

#### Design Specifications for Pervious Surface Sheet Flow (Basic Dispersion)

The runoff from any *new pervious surface* is considered dispersed by sheet flow if the runoff is not concentrated by a manmade or natural conveyance system (e.g., pipe, yard drain, drain tile, ditch, swale, etc.) within 25 feet of leaving the *new pervious surface* area or prior to leaving the *site* or entering a critical area buffer on the *site*.

### C.2.4.6 MAINTENANCE INSTRUCTIONS FOR BASIC DISPERSION

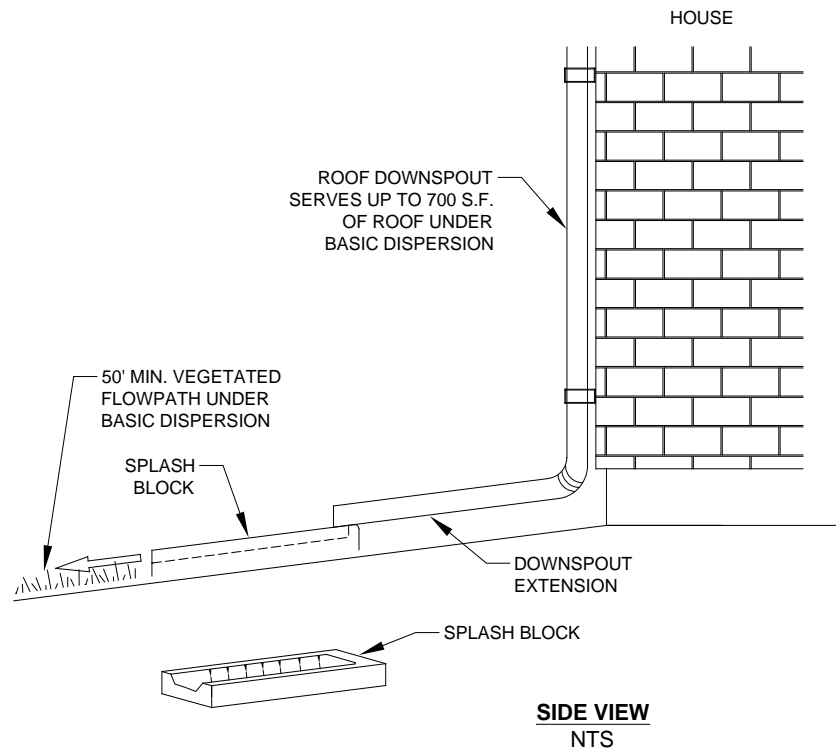
If the basic dispersion on-site BMP is proposed for a project, maintenance and operation instructions must be recorded as an attachment to the required **declaration of covenant and grant of easement** per Requirement 3 of Section C.1.3.4. The intent of these instructions is to explain to future property owners, the purpose of the BMP and how it must be maintained and operated. These instructions are intended to be a minimum; CED may require additional instructions based on site-specific conditions. Future updates to the instructions will be posted on City of Renton’s *Surface Water Design Manual* website.

A reproducible copy of the instructions, prepared for inclusion with the declaration of covenant, is located in Reference Section 8-M.

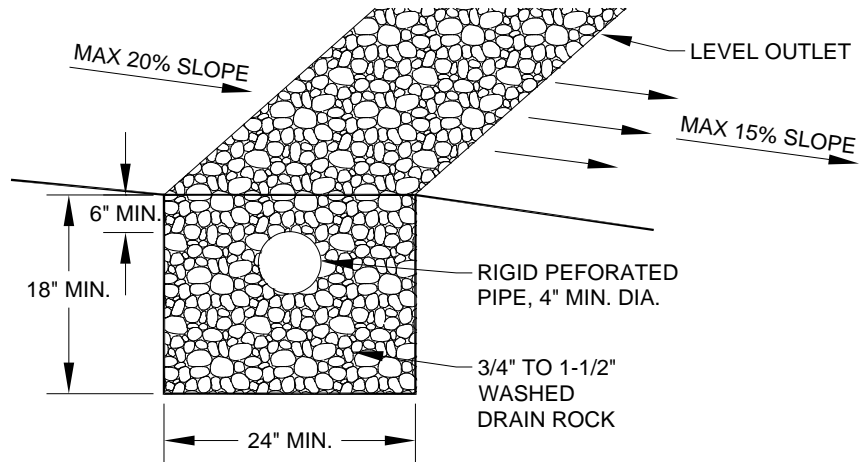
<sup>18</sup> *Reverse slope sidewalk* is one that slopes away from rather than onto the roadway it abuts as required by City road standards. If this technique is proposed within City right-of-way, a Road Variance will be required for its use.



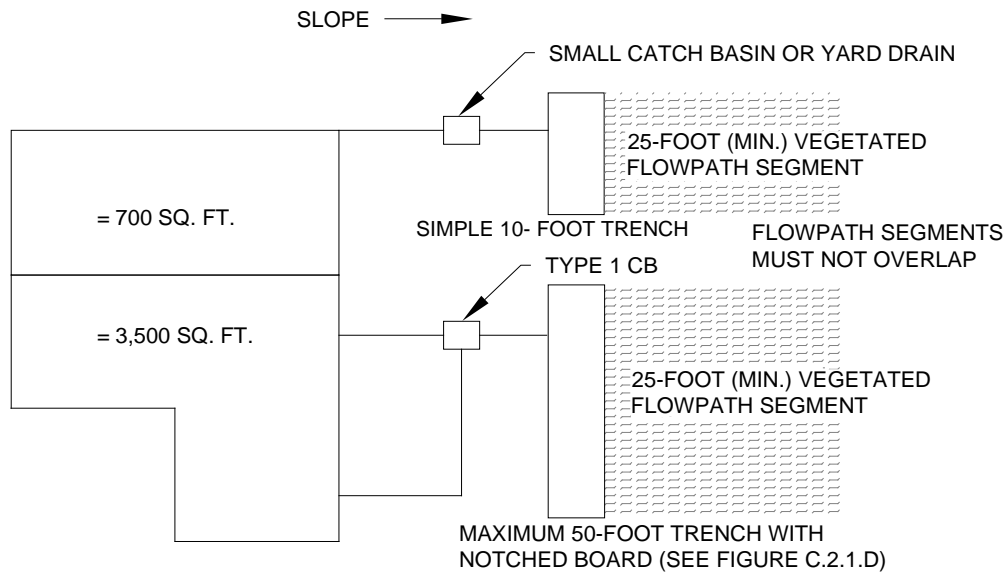
**FIGURE C.2.4.A SCHEMATIC REPRESENTATION OF A TYPICAL SPLASHBLOCK FOR BASIC DISPERSION**



**FIGURE C.2.4.B SCHEMATIC REPRESENTATION OF A TYPICAL GRAVEL-FILLED DISPERSION TRENCH FOR BASIC DISPERSION**

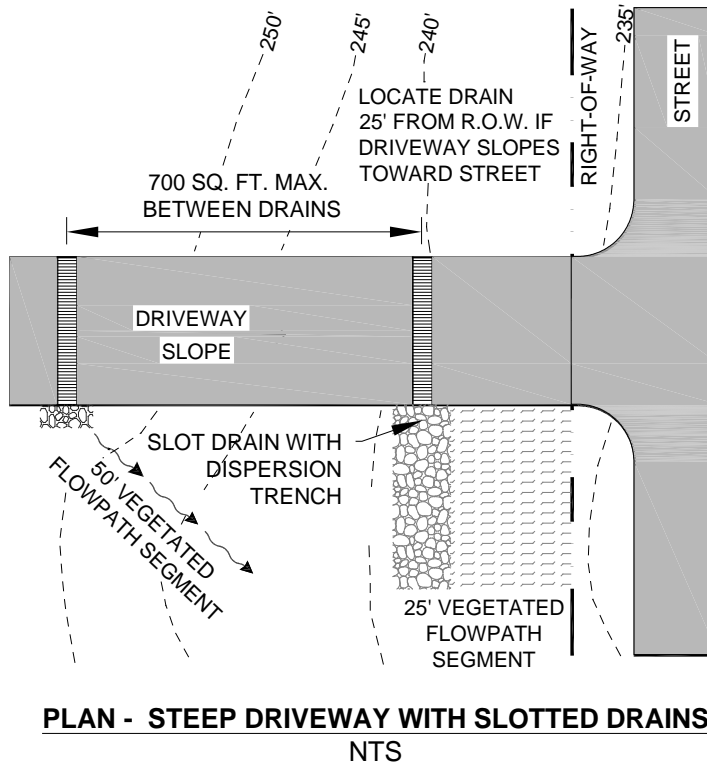
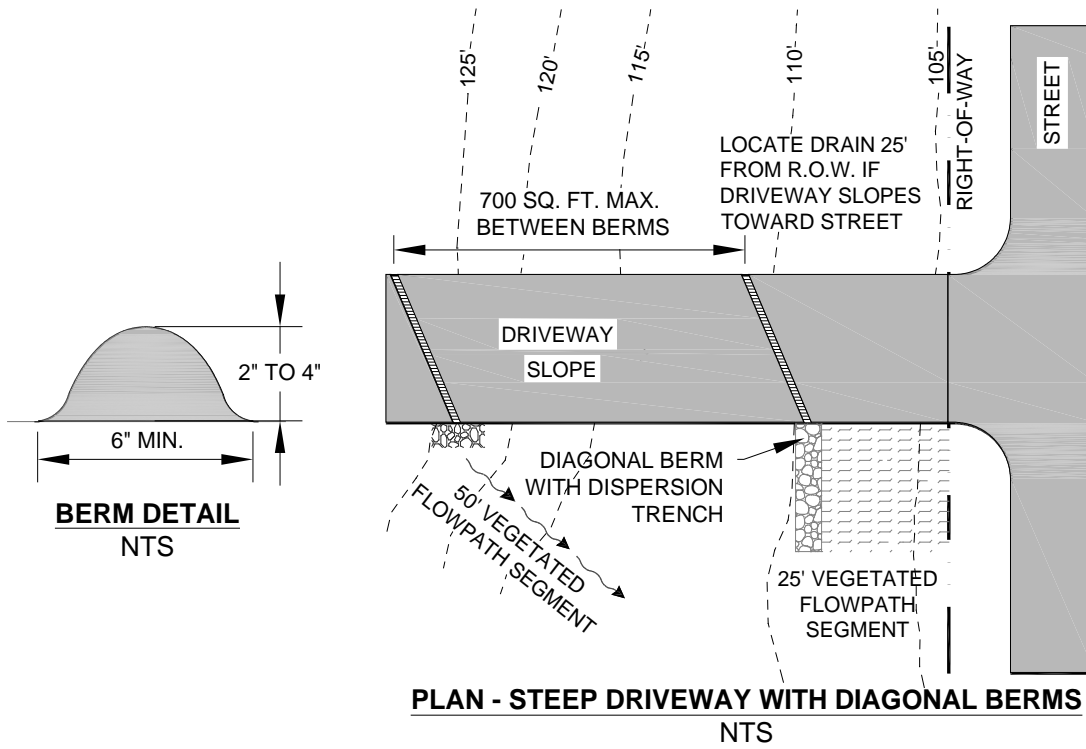


**TRENCH SECTION**  
NTS

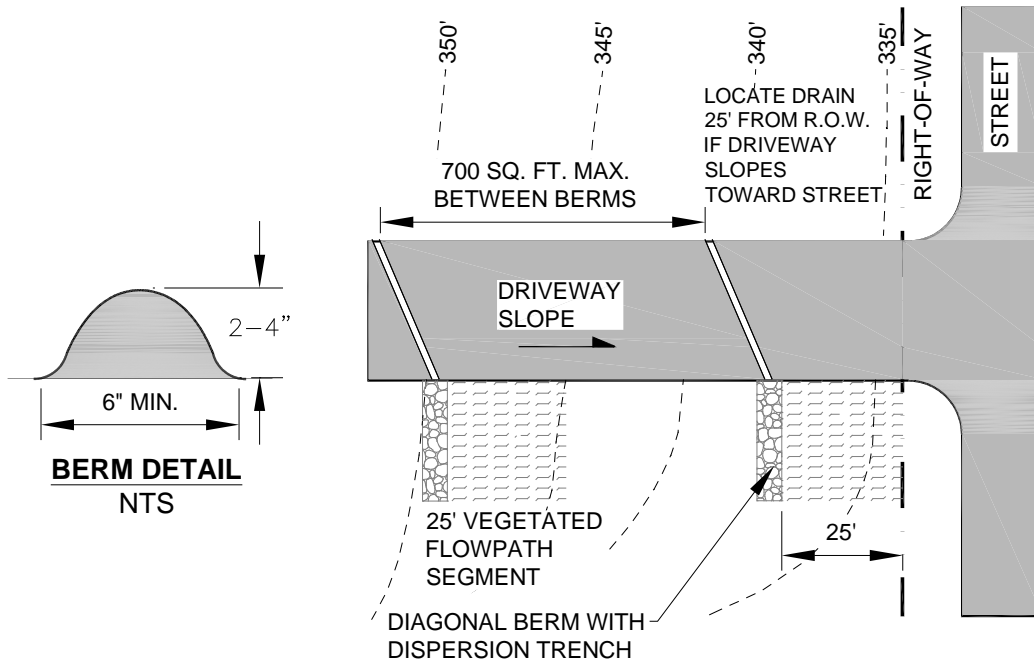


**PLAN VIEW OF ROOF**  
NTS

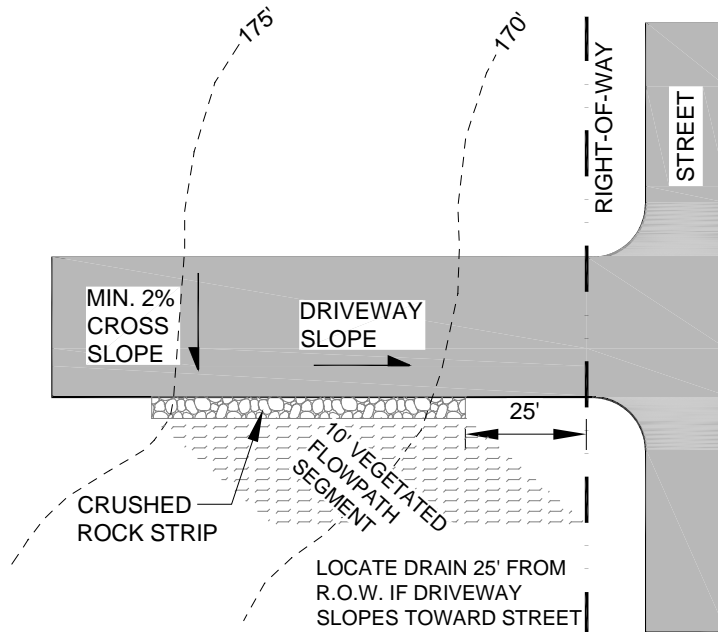
**FIGURE C.2.4.C SCHEMATIC REPRESENTATION OF BASIC DISPERSION FOR STEEP DRIVEWAYS**



**FIGURE C.2.4.D SCHEMATIC REPRESENTATION OF A BASIC DISPERSION FOR DRIVEWAYS**



**PLAN - DRIVEWAY DISPERSION TRENCH**  
DRIVEWAY SLOPE VARIES AND SLOPES TOWARD STREET  
NTS



**PLAN - SHEET FLOW DISPERSION FROM A DRIVEWAY**  
FLAT TO MODERATELY STOPING DRIVEWAYS  
NTS

## C.2.5 FARMLAND DISPERSION

This BMP does not apply to the City of Renton.

## C.2.6 BIORETENTION

*Note: This section is intended to apply only to bioretention designed to meet Core Requirement #9. Additional design requirements apply to bioretention designed to meet Core Requirement #8 (described in Chapter 6 of the SWDM).*

*Bioretention areas* are shallow landscaped depressions, with a designed soil mix and plants adapted to the local climate and soil moisture conditions that receive stormwater from a contributing area. Four types of bioretention designs are discussed in this section: bioretention cells, bioretention swales, bioretention planters, and a road-side ditch bioretention alternative design. These are briefly described below:

### **Bioretention Cells:**

Shallow depressions with a designed planting soil mix and a variety of plant material, including trees, shrubs, grasses, and/or other herbaceous plants. Bioretention cells are not designed as a conveyance system. (See Figures C.2.6.A and C.2.6.B)

### **Bioretention Swales:**

Incorporate the same design features as bioretention cells; however, bioretention swales are designed as part of a system that can convey stormwater when maximum ponding depth is exceeded. Bioretention swales have relatively gentle side slopes and water storage depths that are typically 2 to 12 inches.

### **Bioretention Planters:**

Designed soil mix and a variety of plant material including trees, shrubs, grasses, and/or other herbaceous plants within a vertical walled container usually constructed from formed concrete, but could include other materials. Planters have an open bottom and allow infiltration to the subgrade. These designs are often used in ultra-urban settings.

### **Road-Side Bioretention Ditch:**

This BMP is not approved for use in the city without an adjustment. This feature uses a designed soil mix underlain by drain rock for increased storage, low maintenance vegetation typical of road-side ditches, and requires no permanent ponding-- allowing for road side conveyance to function per current design and maintenance standards without need for weirs or excess standing water along the road.

### **Applicable Surfaces**

Subject to the minimum design requirements and specifications in this section, bioretention may be applied to any impervious surface such as a roof, driveway, parking area, road, or sidewalk, and to any nonnative pervious surface such as a lawn, landscaped area, or pasture. Bioretention proposed in road rights-of-way must be per the City of Renton Standard Details and the requirements of the City of Renton Transportation Department and Surface Water Utility as applicable or as otherwise approved by the City.

### **Infeasibility Criteria**

Bioretention is considered infeasible and not required for projects that cannot meet the minimum design requirements for bioretention or via the bioretention infeasibility criteria list that follows in this section. Where the minimum design requirements call for geotechnical evaluation and approval for bioretention that proposes to discharge towards or is within described setbacks of a *steep slope hazard area*, *erosion*

*hazard area, landslide hazard, or slopes greater than 15%*, bioretention is considered infeasible and not required. Though not required in these circumstances, a project proponent may still opt to use bioretention as long as the geotechnical evaluation and approval requirement is met.

### **Additional Requirements for Large Bioretention Facilities:**

Bioretention that receives runoff from:

- Impervious surfaces totaling 10,000 square feet or more; *or*
- New pervious surfaces totaling  $\frac{3}{4}$  acre or more, *or*
- A combination of impervious and pervious surfaces that results in a 0.15 cfs increase (using 15-minute time steps) or 0.1 cfs (using 1-hour time steps) in the 100-year peak flow when comparing predeveloped (historical) and developed conditions,

must meet the following additional requirements to address their larger size, risk, and maintenance needs:

#### **Bioretention Cells:**

- **SWDM Section 5.2:** 100 year overflow conveyance (if applicable); Spill Control Device; Presettling, Protection from Upstream Erosion; Facility Construction Guidelines; Offsite Groundwater Impacts; Groundwater Protection; Infiltration near Water Supply Wells; and Infiltration near Steep Slopes and Landslide Hazards.
- **SWDM Section 5.2.2.1** Infiltration Ponds Design Criteria: General, Setbacks.

#### **Bioretention Swales:**

- **SWDM Section 5.2:** 100 year overflow conveyance (if applicable); Protection from Upstream Erosion; Facility Construction Guidelines; Offsite Groundwater Impacts; Groundwater Protection; Infiltration near Water Supply Wells; and Infiltration near Steep Slopes and Landslide Hazards.
- **SWDM Section 6.3:** Vegetated Flowpath Facility Designs: Access; Construction Considerations; Flow Velocity, Energy Dissipation, and Flow Spreading (#2, 3, 4 and 5)

### **Other Site Suitability Factors**

**Utility conflicts:** Perpendicular utility crossing within bioretention facilities is allowed with the following conditions:

- Horizontal separation between water main wall and top of slope of the bioretention facility shall be no less than 7 feet
- 30 inches of cover for service line shall be maintained.
- Fire hydrants shall be at least 5 feet from bioretention footprint.
- Water meter shall be located outside bioretention facility footprint
- Manholes shall be located outside bioretention facility footprint
- A minimum 1-foot separation between sanitary sewer crossings and underdrains shall be maintained.

When separation requirements cannot be met, designs should include appropriate mitigation measures, such as impermeable liners over the utility, sleeving utilities, fixing known leaky joints or cracked conduits, and/or adding an underdrain to the bioretention facility.

**Transportation safety:** The design configuration and selected plant types should provide adequate sight distances, clear zones, and appropriate setbacks for roadway applications in accordance with RMC 4-6-060.

**Ponding depth and surface water draw-down:** Flow control needs, as well as location in the development, and mosquito breeding cycles will determine draw-down timing. For example, front yards and entrances to residential or commercial developments may require rapid surface dewatering for aesthetics.

**Impacts of surrounding activities:** Human activity influences the location of the facility in the development. For example, locate bioretention areas away from traveled areas on individual lots to prevent soil compaction and damage to vegetation or provide elevated or bermed pathways in areas where foot traffic is inevitable, and provide barriers, such as wheel stops, to restrict vehicle access in roadside applications.

**Visual buffering:** Bioretention facilities can be used to buffer structures from roads, enhance privacy among residences, and for an aesthetic site feature.

**Site growing characteristics and plant selection:** Appropriate plants should be selected for sun exposure, soil moisture, and adjacent plant communities. Native species or hardy cultivars are recommended and can flourish in the properly designed and placed Bioretention Soil Mix with no nutrient or pesticide inputs and 2 to 3 years' irrigation for establishment. Invasive species control may be necessary.

### Required Soils Report

Many locations in the City have soils that are underlain by a compacted layer of soil (i.e., glacial till or hardpan) which severely limits soaking capacity and causes water to perch on the relatively impervious layer during the wet season. This can make bioretention impracticable, unreliable, and reduce plant survivability in the bioretention system. Thus, a soils report is necessary to identify soil types, depth to impermeable layers (hardpan) or the maximum wet season groundwater level, and infiltration rates. Detailed requirements for the soils report are found under "Required Soils Report" in Section C.1.3.

### Operation and Maintenance

See Section 2.6.3.

### Bioretention Infeasibility Criteria List

These are conditions that make bioretention not required to be implemented as part of the prescriptive BMP lists detailed in Core Requirement #9 of the SWDM and Section 1.3 of Appendix C. The lists require BMPs to be evaluated and installed to the maximum extent feasible. Where determined infeasible by these criteria, an applicant has the option to propose a functional design via the adjustment process described in Section 1.4 of the SWDM in order to: (a) use the on-site BMP facility modeling credits described in SWDM Section 1.2.9.4; (b) to use in achieving the LID Performance Standard (where required or optional); or (c) to meet the minimum on-site BMP implementation requirements enconced in the "Small Lot and Large Lot requirements" lists located in SWDM Section 1.2.9.2 and Appendix C, Section 1.3.

*Note: Criteria with setback distances are as measured from the outermost edge of the bioretention soil mix.*

**Citation of any of the following infeasibility criteria (#1–7) must be based on an evaluation of site-specific conditions and a written recommendation from an appropriate licensed professional (e.g., engineer, geologist, hydrogeologist):**

1. Where professional geotechnical evaluation recommends infiltration not be used due to reasonable concerns about erosion, slope failure, or down gradient flooding.
2. Within an area whose ground water drains into an erosion hazard area or landslide hazard.
3. Where the only area available for siting would threaten the safety or reliability of pre-existing underground utilities, pre-existing underground storage tanks, pre-existing structures, or pre-existing road or parking lot surfaces.
4. Where the only area available for siting does not allow for a safe overflow pathway to the municipal separate storm sewer system or private storm sewer system.
5. Where there is a lack of usable space for bioretention facilities at re-development sites, or where there is insufficient space within the existing public right-of-way on public road projects.

6. Where infiltrating water would threaten existing below grade basements.
7. Where infiltrating water would threaten shoreline structures such as bulkheads.

**The following criteria can be cited as reasons for a finding of infeasibility without further justification (though some require professional services):**

8. Within setbacks from structures as established by the RMC.
9. Where the project drains to an existing stormwater collection system whose elevation or location precludes connection to a properly functioning bioretention facility (e.g., installation required that an existing major publicly or privately-owned infrastructure or utility element to be relocated, the facility cannot be built and operated to discharge stormwater from the site under gravity flow conditions while meeting the applicable engineering standards).
10. Where land for bioretention is within area designated as an *erosion hazard area* or *landslide hazard*.
11. Where the site cannot be reasonably designed to locate bioretention facilities on slopes less than 8%.
12. Within 50 feet from the top of slopes that are greater than 20% and over 10 feet of vertical relief.
13. For properties with known soil or ground water contamination (typically federal Superfund sites or state cleanup sites under the Model Toxics Control Act [MTCA]):
  - a) Within 100 feet of an area known to have deep soil contamination;
  - b) Where ground water modeling indicates infiltration will likely increase or change the direction of the migration of pollutants in the ground water;
  - c) Wherever surface soils have been found to be contaminated unless those soils are removed within 10 horizontal feet from the infiltration area;
  - d) Any area where these facilities are prohibited by an approved cleanup plan under the state Model Toxics Control Act or Federal Superfund Law, or an environmental covenant under Chapter 64.70 RCW.
14. Within 100 feet of a closed or active landfill.
15. Within 100 feet of a drinking water well, or a spring used for drinking water supply. Within *Zone 1 of the Aquifer Protection Area*.
16. Within 10 feet of small onsite sewage disposal drainfield, including reserve areas, and grey water reuse systems. For setbacks from a “large onsite sewage disposal system,” see Chapter 246-272B WAC.
17. Within 10 feet of an underground storage tank and connecting underground pipes when the capacity of the tank and pipe system is 1100 gallons or less. (As used in these criteria, an underground storage tank means any tank used to store petroleum products, chemicals, or liquid hazardous wastes of which 10% or more of the storage volume (including volume in the connecting piping system) is beneath the ground surface.
18. Within 100 feet of an underground storage tank and connecting underground pipes when the capacity of the tank and pipe system is greater than 1100 gallons.
19. Where the minimum vertical separation of 1 foot to the seasonal high water table, bedrock, or other impervious layer would not be achieved below bioretention that would serve a drainage area that is: 1) less than 5,000 sq. ft. of pollution-generating impervious surface, and 2) less than 10,000 square feet of impervious surface; and, 3) less than three-quarters (3/4) acres of pervious surface.
20. Where the a minimum vertical separation of 3 feet to the seasonal high water table, bedrock or other impervious layer would not be achieved below bioretention that: 1) would serve a drainage area that meets or exceeds: a) 5,000 square feet of pollution-generating impervious surface, or b) 10,000 square



- feet of impervious surface, or c) three-quarters (3/4) acres of pervious surfaces; and 2) cannot reasonably be broken down into amounts smaller than indicated in (1).
21. Where the field testing indicates potential bioretention sites have a measured (a.k.a., initial) native soil saturated hydraulic conductivity less than 0.30 inches per hour.
  22. The minimum bottom width (18 inches) cannot be met due to, but not limited to: encroachment within the critical root zone of an existing tree(s) or minimum setbacks to structures, utilities, or property lines.
  23. In the right-of-way, installation requires a vertical walled facility.

### C.2.6.1 MINIMUM DESIGN REQUIREMENTS (CELLS, SWALES, AND PLANTERS)

All of the following requirements must be met in order for bioretention to be applicable to a target impervious or target pervious surface:

1. A **minimum water storage volume** shall be provided in the bioretention BMP that is calculated by multiplying the equivalent storage depth by the square footage of the target surface area served.

For target impervious areas:

- Rainfall region SeaTac 1.0: In till soils, provide bioretention volume based on 0.6 inches of equivalent storage depth; in outwash soils provide bioretention volume based on 0.1 inches of equivalent storage depth
- Rainfall regions greater than SeaTac 1.0: In till soils, provide bioretention volume based on 0.8 inches of equivalent storage depth; in outwash soils, provide bioretention volume based on 0.4 inches of equivalent storage depth,

For target pervious areas: In till soils, provide bioretention volume based on 0.7 inches of equivalent storage depth; in outwash soils, provide bioretention volume based on 0.006 inches of equivalent storage depth.

2. The **water storage area**, containing the minimum required storage volume, shall be 6-12 inches deep at overflow and have side slopes no steeper than 2.5 horizontal to 1 vertical (except where the storage area is structurally contained, e.g., a planter configuration). The overflow point of the water storage area shall be at least 6 inches below any adjacent pavement area. The overflow point must be situated so that overflow does not cause erosion damage or unplanned inundation.
3. The bioretention footprint as measured at the overflow elevation shall be a minimum of 5% of the impervious surface directed to the bioretention BMP. The bottom area of an individual cell shall be no less than 4 square feet. The bottom area of an individual cell shall be no larger than 800 square feet (limitation is to ensure that bioretention facilities are small-scale and distributed).
4. The maximum allowable drawdown time of the water storage area is 24 hours. A correction factor of 0.33 to 1 (no correction factor) as recommended by a licensed geotechnical professional should be applied to initial measured infiltration rates of the in situ soils to determine the design rate for this drawdown calculation. The designed depth of ponding (2" minimum to 12" maximum) must be considered in light of the drawdown time requirement (e.g., in slow draining soils, the designed ponding depth may need to be decreased "in order to meet the drawdown criteria). As an example, a 6" deep pool with an initial measured rate of 0.5"/hour and a correction factor of 0.5 applied will achieve drawdown in exactly 24 hours (0.5 in/hour x 0.5 correction factor x 24 hours = 6 inches).
5. Bioretention with underdrains is not allowed for Core Requirement #9 unless approved via a *SWDM* adjustment per Section 1.4 that, at minimum, addresses comparable hydraulic performance, water quality concerns, and maintainability. Bioretention with underdrains is allowed for Core Requirement #8.

6. Bioretention areas should have a minimum shoulder of 6 inches between the road edge and beginning of the bioretention side slope where flush curbs are used.
7. Flow entrance techniques for energy dissipation shall be utilized. Flow entrances shall be per design criteria in Section 6.8.1.1..
8. If a **containment berm** is used to form the water storage area, the berm must be at least 6 inches wide and 6 inches above the 12 inches of water depth. A **catch basin** or **rock pad** must be provided to release water when the pond's water level exceeds the 12 inches of water depth. The catch basin may discharge to the *local drainage system* or other acceptable discharge location via a 6-inch rigid pipe (private) or 8-inch rigid pipe (public). The rock pad may be used with or without a constructed drainage system downstream. If a rock pad is used, it must be composed of crushed or fractured rock, 6-inches deep and 2 feet wide (perpendicular to flow) and must extend at least 4 feet or beyond the containment berm, whichever is greater. The rock pad must be situated so that overflow does not cause erosion damage or unplanned inundation.
9. **An 18" thick bioretention soil mix liner extending up slopes to maximum storage depth** is required in the bioretention cell, swale, or planter. The bioretention soil mix shall be per Reference Section 11-C. Compost shall meet Specification 1 described in Reference Section 11-C.
10. Do not use filter fabrics between the subgrade and the Bioretention Soil Mix. The gradation between existing soils and Bioretention Soil Mix is typically not great enough to allow significant migration of fines into the Bioretention Soil Mix. Additionally, filter fabrics may clog with downward migration of fines from the Bioretention Soil Mix.
11. On-site soil mixing or placement shall not be performed if Bioretention Soil Mix or subgrade soil is saturated. The bioretention soil mixture should be placed and graded by machinery operating adjacent to the bioretention facility.
12. If machinery must operate in the bioretention cell for soil placement, use light weight equipment with low ground-contact pressure. The soil mixture shall be placed in horizontal layers not to exceed 12 inches per lift for the entire area of the bioretention facility.
13. Compact the Bioretention Soil Mix to a relative compaction of 85 percent of modified maximum dry density (ASTM D 1557). Compaction can be achieved by boot packing (simply walking over all areas of each lift), and then apply 0.2 inches (0.5 cm) of water per 1 inch (2.5 cm) of Bioretention Soil Mix depth. Water for settling should be applied by spraying or sprinkling.
14. Prior to placement of the Bioretention Soil Mix, the finished subgrade shall: (a) Be scarified to a minimum depth of 3 inches; (b) have any sediment deposited from construction runoff removed (to remove all introduced sediment, subgrade soil should be removed to a depth of 3 to 6 inches and replaced with Bioretention Soil Mix); and (c) be inspected by the responsible engineer to verify required subgrade condition.
15. If using the default Bioretention Soil Mix described in Reference Section 11-C, pre-placement laboratory analysis for saturated hydraulic conductivity of the bioretention soil mix is not required. Verification of the mineral aggregate gradation, compliance with the compost specifications, and the mix ratio must be provided.
16. Custom bioretention soil mixes may be considered under the adjustment process described in Section 1.4.
17. **Water tolerant plants** such as those in Table C.2.6.A shall be planted in the bottom of the bioretention facility. Plants native to Western Washington are preferred. Trees outside of the saturated zone are allowed as part of bioretention facility designs.
18. A minimum 5-foot **setback** shall be maintained between the outermost edge of the bioretention soil mix and any building structure or property line.

19. Bioretention constructed with imported compost materials are not allowed within one-quarter mile of a sensitive lake if the underlying native soil does not meet the soil suitability criteria for treatment in Section 5.2.1.
20. Bioretention constructed with imported compost materials are not allowed within ¼ mile of those waterbodies listed as category 2, 4, or 5 for either nutrients or low DO determined to be caused by nutrients. These waterbodies are found on Ecology's combined 303(d)/305(b) Water Quality Assessment list. The exception to this prohibition is where phosphorous is the identified nutrient and the underlying native soil meets soil suitability criteria for treatment described in Section 5.2.1.
21. Bioretention swales shall have a minimum 18-inch bottom width. Swales shall be flat in cross section to promote even flow across the width of the swale. See the City of Renton Standard Details and the requirements of the City of Renton Transportation Department and Surface Water Utility as applicable for design details for bioretention swales in the ROW.
22. Bioretention swales shall meet the conveyance requirements described in Section 1.2.4.1 of the SWDM. Maximum 100 year peak flow velocity through bioretention swales is 3 feet per second.
23. Maximum longitudinal (along direction of flow) slope of bioretention swales shall be 6%.
24. For *sites* with **septic systems**, bioretention must be located downgradient of the primary and reserve drainfield areas. CED review staff can waive this requirement if site topography clearly prohibits subsurface flows from intersecting the drainfield.
25. Bioretention is not allowed in critical area **buffers** or on **slopes** steeper than 20%.
26. Bioretention is not allowed within 50 feet of a **steep slope hazard area**, **erosion hazard area**, or **landslide hazard**.
27. Bioretention proposed on slopes steeper than 15% must be approved by a **geotechnical engineer** or **engineering geologist** unless otherwise approved by the CED. The geotechnical analysis must consider cumulative impacts from the project and surrounding areas under full built-out conditions.
28. Bioretention proposed near slopes steeper than 15% must be approved by a **geotechnical engineer** or **engineering geologist** if the facility is located within a setback from the top of slope equal to the total vertical height of the slope area that is steeper than 15% unless otherwise approved by CED. The geotechnical analysis must consider cumulative impacts from the project and surrounding areas under full built-out conditions.
29. Bioretention that directs overflow towards slopes steeper than 15% may require evaluation and approval of the proposal by a **geotechnical engineer** or **engineering geologist** as determined by CED. The geotechnical analysis must consider cumulative impacts from the project and surrounding areas under full built-out conditions.
30. Bioretention proposed within 200 feet of a **steep slope hazard area**, **erosion hazard area**, or **landslide hazard** must be approved by a **geotechnical engineer** or **engineering geologist** unless otherwise approved by CED. The geotechnical analysis must consider cumulative impacts from the project and surrounding areas under full built-out conditions.
31. Bioretention must not create **flooding or erosion impacts** as determined by CED. If bioretention is proposed near or directs overflows towards a **landslide hazard**, **erosion hazard area**, or a **steep slope hazard area**, CED may require evaluation and approval of the proposal by a **geotechnical engineer** or **engineering geologist**. The geotechnical analysis must consider cumulative impacts from the project and surrounding areas under full built-out conditions.

<b>TABLE C.2.6.A WATER TOLERANT PLANTS</b>		
<b>Common Name</b>	<b>Scientific Name</b>	<b>Spacing (on center)</b>
California brome	<i>Bromus carinatus</i>	12 inches
Tufted hair grass	<i>Deschampsia cespitosa</i>	12 inches
Dewey sedge	<i>Carex deweyanna</i>	12 inches
Spike rush	<i>Eleocharis</i> spp.	12 inches
Slough sedge	<i>Carex obnupta</i>	24 inches
Sawbeak sedge	<i>Carex stipata</i>	12 inches
Sedge	<i>Carex</i> spp.	12 inches
Dagger-leaf rush	<i>Juncus ensifolius</i>	12 inches
Spreading rush	<i>Juncus patens</i>	12 inches
Slender rush	<i>Juncus tenuis</i>	12 inches
Small-fruited bulrush	<i>Scirpus microcarpus</i>	12 inches
Yellow-eyed grass	<i>Sisyrinchium californicum</i>	12 inches

### **C.2.6.2 MINIMUM DESIGN REQUIREMENTS (ROADSIDE BIORETENTION DITCH)**

This BMP is not approved for use in the City without an adjustment.

All of the following requirements must be met in order for bioretention to be applicable to a target impervious surface:

1. The roadside bioretention ditch is only allowed to serve road and sidewalk improvements.
2. The roadside bioretention ditch is considered optional only and not required for purposes of complying with the prescriptive BMP list approach from Core Requirement #9 where a standard bioretention cell is deemed infeasible.
3. The longitudinal slope of the road side bioretention ditch shall be consistent with the City of Renton Standard Details and the requirements of the City of Renton Transportation Department and Surface Water Utility as applicable which allow a maximum slope of 6% for grass-lined ditches. Grades between 3% and 6% may require check dams to reduce potential erosion.
4. The roadside bioretention ditch shall meet the conveyance requirements described in Section 1.2.4.1 of the *SWDM*.
5. Flow entrance techniques for energy dissipation shall be utilized and may include where applicable: flow spreaders described in Section 6.2.6 of the *SWDM*, gravel flow spreaders described in Section 6.3.4.2 of the *SWDM*, rock pads for pipe flow entrances, and/or catch basins preceding bioretention where high sediment loads are anticipated. Other equivalent options may be considered. Consideration should be given as to whether the design details specified in Section 4.2.2 (Outfalls) are applicable to a given design.
6. Side slopes shall be per the City of Renton Standard Details and the requirements of the City of Renton Transportation Department and Surface Water Utility as applicable for roadside ditches.
7. Vegetation in the roadside bioretention ditch shall conform to the City of Renton Standard Details and the requirements of the City of Renton Transportation Department and Surface Water Utility as applicable for grass lined road ditches.
8. A minimum 2 ft. wide, 18" thick bioretention soil mix liner is required along the full length of the roadside bioretention ditch. The bioretention soil mix shall be per Reference Section 11-C. Compost shall meet Specification 1 described in Reference Section 11-C.

9. A linear trench of washed rock that is 1.5 ft. deep x 2 ft. wide (typical ditch bottom width) shall be placed underneath the bioretention soil mix liner. The length of the trench shall be that specified in Section C.2.3.3 “Use of Gravel Filled Trenches for Limited Infiltration” based on the tributary area to the roadside bioretention ditch. Where this length is not achievable, the width of the gravel trench may be widened as allowed by ROW or tract width to provide an equivalent area footprint. To slow flows and encourage infiltration, the gravel filled trench shall be broken up along every 50 feet its length by a minimum 4 foot long plug of native, unexcavated soil or native material (or equivalent) free of wood waste, debris, clods or rocks greater than 6” in any dimension, compacted to 95% maximum density (ASTM D1557).
10. Do not use filter fabrics between the subgrade and the Bioretention Soil Mix. The gradation between existing soils and Bioretention Soil Mix is not great enough to allow significant migration of fines into the Bioretention Soil Mix. Additionally, filter fabrics may clog with downward migration of fines from the Bioretention Soil Mix.
11. On-site soil mixing or placement shall not be performed if Bioretention Soil Mix or subgrade soil is saturated. The bioretention soil mixture should be placed and graded by machinery operating adjacent to the bioretention facility.
12. If machinery must operate in the bioretention cell for soil placement, use light weight equipment with low ground-contact pressure. The soil mixture shall be placed in horizontal layers not to exceed 12 inches per lift for the entire area of the bioretention facility.
13. Compact the Bioretention Soil Mix to a relative compaction of 85 percent of modified maximum dry density (ASTM D 1557). Compaction can be achieved by boot packing (simply walking over all areas of each lift), and then apply 0.2 inches (0.5 cm) of water per 1 inch (2.5 cm) of Bioretention Soil Mix depth. Water for settling should be applied by spraying or sprinkling.
14. Prior to placement of the Bioretention Soil Mix, the finished subgrade shall: (a) be scarified to a minimum depth of 3 inches; (b) have any sediment deposited from construction runoff removed (to remove all introduced sediment, subgrade soil should be removed to a depth of 3 to 6 inches and replaced with Bioretention Soil Mix); and (c) be inspected by the responsible engineer to verify required subgrade condition.
15. If using the default Bioretention Soil Mix described in Reference Section 11-C, pre-placement laboratory analysis for saturated hydraulic conductivity of the Bioretention Soil Mix is not required. Verification of the mineral aggregate gradation, compliance with the compost specifications, and the mix ratio must be provided.
16. Custom bioretention soil mixes may be considered under the adjustment process described in Section 1.4 of the *SWDM*.
17. Bioretention with underdrains is not allowed for Core Requirement #9 unless approved via a *SWDM* adjustment per Section 1.4 that, at minimum, addresses comparable hydraulic performance, water quality concerns, and maintainability. Bioretention with underdrains is allowed for Core Requirement #8.
18. Bioretention constructed with imported compost materials are not allowed within one-quarter mile of a sensitive lake if the underlying native soil does not meet the soil suitability criteria for treatment in Section 5.2.1 of the *SWDM*.
19. Bioretention constructed with imported compost materials are not allowed within ¼ mile of those waterbodies listed as category 2, 4, or 5 for either nutrients or low DO determined to be caused by nutrients. These waterbodies are found on Ecology’s combined 303(d)/305(b) Water Quality Assessment list. The exception to this prohibition is where phosphorous is the identified nutrient and the underlying native soil meets soil suitability criteria for treatment described in Section 5.2.1 of the *SWDM*.

20. For *sites* with **septic systems**, bioretention must be located downgradient of the primary and reserve drainfield areas. CED review staff can waive this requirement if site topography clearly prohibits subsurface flows from intersecting the drainfield.
21. Bioretention is not allowed in critical area **buffers** or on **slopes** steeper than 20%.
22. Bioretention is not allowed within 50 feet of a **steep slope hazard area**, **erosion hazard area**, or **landslide hazard**.
23. Bioretention proposed on slopes steeper than 15% must be approved by a **geotechnical engineer** or **engineering geologist** unless otherwise approved by CED. The geotechnical analysis must consider cumulative impacts from the project and surrounding areas under full built-out conditions.
24. Bioretention proposed near slopes steeper than 15% must be approved by a **geotechnical engineer** or **engineering geologist** if the facility is located within a setback from the top of slope equal to the total vertical height of the slope area that is steeper than 15% unless otherwise approved by CED. The geotechnical analysis must consider cumulative impacts from the project and surrounding areas under full built-out conditions
25. Bioretention that directs overflow towards slopes steeper than 15% may require evaluation and approval of the proposal by a **geotechnical engineer** or **engineering geologist** as determined by CED.
26. Bioretention proposed within 200 feet of a **steep slope hazard area**, **erosion hazard area**, or **landslide hazard** must be approved by a **geotechnical engineer** or **engineering geologist** unless otherwise approved by CED. The geotechnical analysis must consider cumulative impacts from the project and surrounding areas under full built-out conditions.
27. Bioretention must not create **flooding or erosion impacts** as determined by CED. If bioretention is proposed near or directs overflow towards a **landslide hazard**, **erosion hazard area**, or a **steep slope hazard area**, CED may require evaluation and approval of the proposal by a **geotechnical engineer** or **engineering geologist**. The geotechnical analysis must consider cumulative impacts from the project and surrounding areas under full built-out conditions.

### **C.2.6.3 MAINTENANCE INSTRUCTIONS FOR BIORETENTION**

If a bioretention on-site BMP is proposed for a project, maintenance and operation instructions must be recorded as an attachment to the required **declaration of covenant and grant of easement** per Requirement 3 of Section C.1.3.4. The intent of these instructions is to explain to future property owners, the purpose of the BMP and how it must be maintained and operated. These instructions are intended to be a minimum; CED may require additional instructions based on site-specific conditions. Future updates to the instructions will be posted on the City of Renton's *SWDM* website.

A reproducible copy of the instructions, prepared for inclusion with the declaration of covenant, is located in Reference Section 8-M.

### **C.2.6.4 EXAMPLE SIZING CALCULATION**

Runoff Source: 20-foot by 20-foot driveway

Equivalent Storage Depth = 1.0 inches (0.083 feet)

Bioretention Storage Volume Needed = 20 feet x 20 feet x 0.083 feet = 33 cubic feet

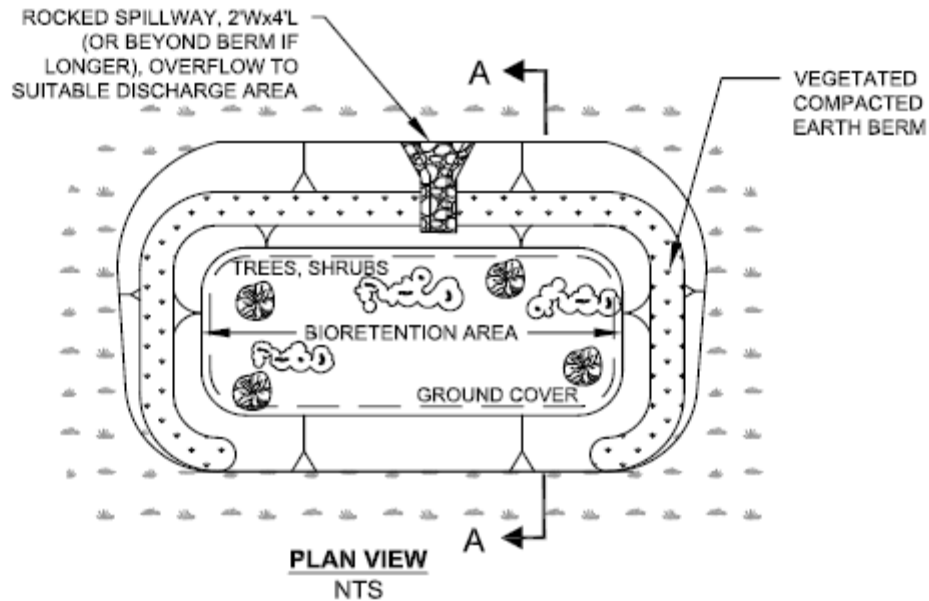
*Note that if the design soil percolation rate is 0.5 inches per hour, a pond 1-foot deep will take 24 hours to drain when filled.*

### C.2.6.5 CONSTRUCTION SEQUENCING

There are many potential applications and site scenarios where bioretention can be applied. The following techniques highlight the most broadly applicable techniques to be used to protect bioretention during construction. Refer to Appendix D for general site protection measures and Appendix D, Section D.2.1.10 for protection measures specific to existing and proposed on-site BMPs. In addition to those techniques, the following techniques apply specifically for protection of bioretention during construction:

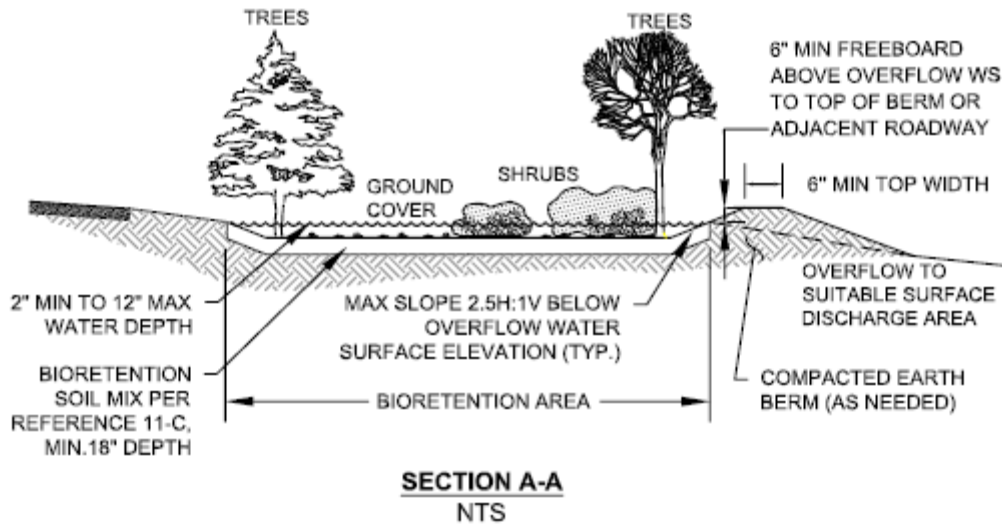
- Prior to construction:
  - The bioretention area shall be clearly identified (e.g., using flagging or high visibility fencing) and protected prior to construction to prevent compaction of underlying soils by vehicle traffic.
  - The Construction SWPPP sheets must outline construction sequencing that will protect the bioretention area during construction.
  - Stabilize upslope construction areas (e.g., using silt fences, berms, mulch, or other Construction SWPPP BMPs) and minimize overland flow distances.
- Excavation:
  - Excavation of bioretention areas shall be performed by machinery operating adjacent to the BMP. No heavy equipment with narrow tracks, narrow tires, or large lugged high pressure tires shall be allowed on the bioretention area footprint.
  - If machinery must operate in the bioretention area for excavation, use lightweight, low ground-contact pressure equipment and rip the base at completion to scarify soil to a minimum of 12 inches.
  - Where feasible, excavate bioretention areas to final grade only after all disturbed areas in the up-gradient project drainage area have been permanently stabilized. (If bioretention areas must be excavated before permanent site stabilization, initial excavation must be conducted to no less than 6 inches of the final elevation of the facility floor.)
  - Excavation of bioretention areas shall not be allowed during wet or saturated conditions.
  - The use of draglines and trackhoes should be considered for constructing bioretention areas.
  - The sidewalls and bottom of a bioretention excavation must be raked or scarified to a minimum depth of 3 inches after final excavation to restore infiltration rates.
- Sediment control:
  - Bioretention shall not be used as a sediment control facility, and all drainage shall be directed away from the bioretention area after initial rough grading.
  - Direct construction site flow away from the bioretention area using applicable Construction SWPPP BMPs (e.g., temporary diversion swales).
- Protect bioretention soil mix from compaction during construction
  - Do not place bioretention soil mix if saturated or during wet periods.
  - Check for compaction prior to planting. If compaction occurs, aerate the bioretention soil and then proceed to plant.

**FIGURE C.2.6.A SCHEMATIC REPRESENTATION OF A TYPICAL BIORETENTION CELL**



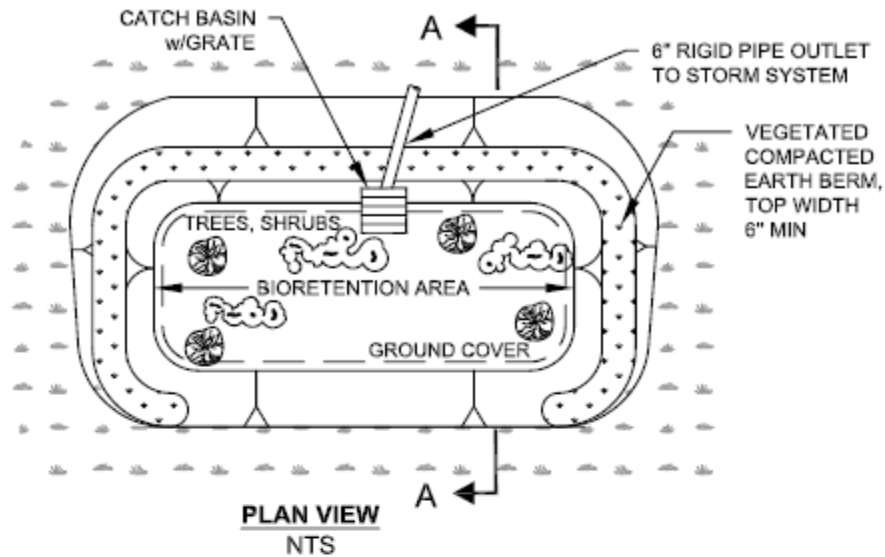
**NOTES:**

- WATER STORAGE VOLUME PER SECTION C.2.6.1.
- WATER SURFACE AREA AT OVERFLOW ELEVATION MUST BE EQUAL TO AT LEAST 5% OF THE IMPERVIOUS AREA TRIBUTARY TO THE FACILITY.
- BIORETENTION THAT RECEIVES DRAINAGE FROM IMPERVIOUS AND/OR PERVIOUS AREA EXCEEDING THE THRESHOLDS IN SECTION C.2.6 MUST MEET "ADDITIONAL REQUIREMENTS FOR LARGE BIORETENTION FACILITIES" DESCRIBED IN THAT SECTION.



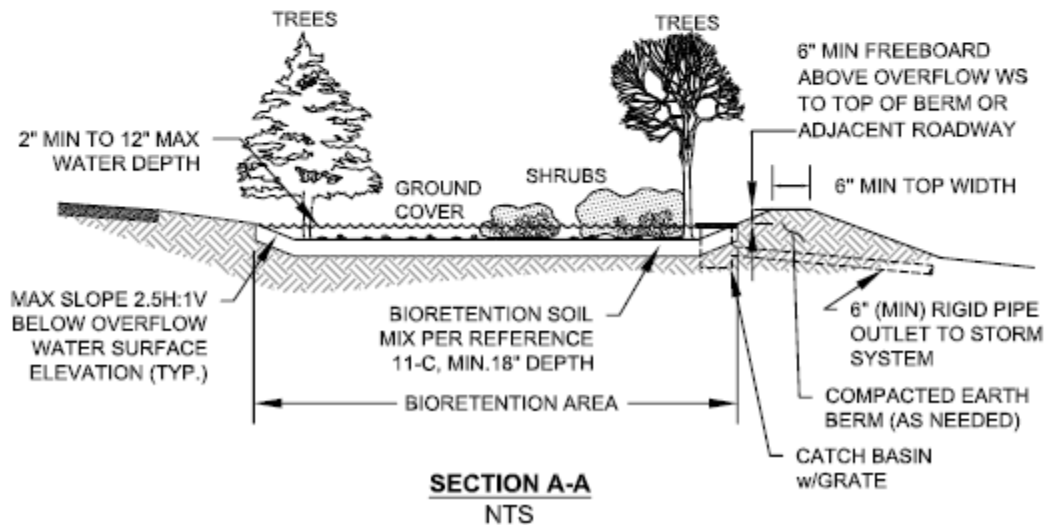


**FIGURE C.2.6.B SCHEMATIC REPRESENTATION OF A TYPICAL BIORETENTION WITH CONTAINMENT BERM**



**NOTES:**

- WATER STORAGE VOLUME PER SECTION C.2.6.1.
- WATER SURFACE AREA AT OVERFLOW ELEVATION MUST BE EQUAL TO AT LEAST 5% OF THE IMPERVIOUS AREA TRIBUTARY TO THE FACILITY.
- BIORETENTION THAT RECEIVES DRAINAGE FROM IMPERVIOUS AND/OR PERVIOUS AREA EXCEEDING THE THRESHOLDS IN SECTION C.2.6 MUST MEET "ADDITIONAL REQUIREMENTS FOR LARGE BIORETENTION FACILITIES" DESCRIBED IN THAT SECTION.



## C.2.7 PERMEABLE PAVEMENT

*Permeable pavements* include porous concrete, porous asphalt, cellular confinement gravel systems, unit pavers with a gravel bed, and grassed modular grid systems. There are many types of permeable pavement on the market today. Permeable pavement systems require careful design, construction, and maintenance in order to provide good service life and proper drainage. Manufacturer's recommendations should be strictly followed for proprietary systems.

### Applicable Surfaces

Subject to the minimum design requirements and specifications in this section, permeable pavement may be applied to *non-pollution generating impervious surface* (sidewalks or patio) and to those *pollution generating impervious surfaces* (e.g., driveway, road, or parking area) where the soil beneath the BMP meets the following properties:

- Minimum organic matter content of 1.0%, and
- Minimum cation exchange capacity of 8 milliequivalents per 100 grams

A 6" sand layer must be included in the design beneath the permeable pavement if the soil beneath the BMP does not meet the properties listed above. This BMP is not allowed in **Zone 1 of the Aquifer Protection Area**. Permeable pavement proposed for roadway improvements (e.g., roads and sidewalks) shall be per the City of Renton Standard Details and the requirements of the City of Renton Transportation Department and Surface Water Utility as applicable or as otherwise approved by the City Engineer.

### Design Considerations

Application of permeable pavement on steeper slopes may not be suitable because water draining through permeable base may daylight downslope. Ideally, permeable pavement slopes should be less than 5%. Areas with a high water table or highly impervious soils may be unsuitable for this pavement type.

Runoff from other impervious areas ("run on") may be directed to permeable pavements that meet the following criteria:

Run-on area is limited to a maximum of 5 times the permeable pavement area to which the run-on is directed, of which no more than 2 times may be from pollution generating impervious surfaces. An area-weighted ratio shall be used for a mix of pollution generating and non-pollution generating impervious surface areas (e.g., a contributing area that is 50% parking lot and 50% roof area would be subject to a maximum run-on of 3.5 times the permeable pavement area).

Run-on is not allowed from pervious surfaces.

For permeable pavement installations on slopes greater than 5%, impermeable check dams are required underneath the pavement. The surface area of the impermeable check dams shall not be counted as part of the permeable pavement when determining the allowable area of run-on.

Target impervious surfaces from which runoff is directed to permeable pavements are considered to have met the minimum on-site BMP implementation requirements contained in the "Small Lot and Large Lot requirements" lists located in the *SWDM* Section 1.2.9.2 and Appendix C, Section C.1.3. No on-site BMP modeling credits for sizing flow control or water quality facilities are given for surfaces that are run-on to permeable pavements.

### Infeasibility Criteria

Permeable pavement is considered infeasible and not required for projects that cannot meet the minimum design requirements for permeable pavement described or via the permeable pavement infeasibility criteria list below. Where the minimum design requirements call for geotechnical evaluation and approval for permeable pavement that proposes to discharge towards or is within described setbacks of a *steep slope hazard area, erosion hazard area, landslide hazard, or slopes greater than 15%*, permeable pavement is

considered infeasible and not required. Though not required in these circumstances, a project proponent may still opt to use permeable pavement as long as the geotechnical evaluation and approval requirement is met. Functionally equivalent design alternatives to permeable pavement may be considered to meet BMP requirements if approved by CED. A functionally equivalent design will provide the same infiltrative capacity (storage and infiltration rate) or be demonstrated via modeling to meet the LID Performance Standard. An example of an equivalent design includes a standard impermeable pavement design where runoff is collected and redistributed/infiltrated below or adjacent to the pavement.

### Required Soils Report

Many locations in the City have soils that are underlain by a compacted layer of soil (i.e., glacial till or hardpan) which severely limits soaking capacity and causes water to perch on the relatively impervious layer during the wet season. In other areas, soil does not have the properties that reduce the risk of groundwater contamination from typical stormwater runoff from pollution generating surfaces. These factors can make permeable pavements impractical, unreliable, or deleterious to groundwater quality. Thus, a soils report is necessary to identify soil types, soil characteristics, depth to impermeable layers (hardpan) or the maximum wet season groundwater level, and infiltration rates.

Detailed requirements for the soils report are found under “Required Soils Report” in Section 1.3 of the *SWDM*.

### Operation and Maintenance

See Section C.2.7.7.

### Permeable Pavement Infeasibility Criteria List

These are conditions that make permeable pavement not required to be implemented as part of the prescriptive BMP lists detailed in Core Requirement #9 of the *SWDM* and Section C.1.3 of Appendix C. The lists require BMPs be evaluated and installed to the maximum extent feasible. Where determined infeasible by these criteria, an applicant has the option to propose a functional design via the adjustment process described in Section 1.4 of the *SWDM* in order to: (a) use the on-site BMP facility modeling credits described in *SWDM* Section 1.2.9.4; (b) to use in achieving the LID Performance Standard (where required or optional); or (c) to meet the minimum on-site BMP implementation requirements contained in the “Small Lot and Large Lot requirements” lists located in *SWDM* Section 1.2.9.2 and Appendix C, Section C.1.3.

These criteria also apply to impervious pavements that would employ stormwater collection from the surface of impervious pavement with redistribution below the pavement.

**Citation of any of the following infeasibility criteria must be based on an evaluation of site-specific conditions and a written recommendation from an appropriate licensed professional (e.g., engineer, geologist, hydrogeologist).**

1. Where professional geotechnical evaluation recommends infiltration not be used due to reasonable concerns about erosion, slope failure, or down gradient flooding.
2. Within an area whose ground water drains into an *erosion hazard area* or *landslide hazard*.
3. Where infiltrating and ponded water below new permeable pavement area would compromise adjacent impervious pavements.
4. Where infiltrating water below a new permeable pavement area would threaten existing below grade basements.
5. Where infiltrating water would threaten shoreline structures such as bulkheads.
6. Down slope of steep, erosion prone areas that are likely to deliver sediment.
7. Where fill soils are used that can become unstable when saturated.

8. Excessively steep slopes where water within the aggregate base layer or at the sub-grade surface cannot be controlled by detention structures and may cause erosion and structural failure, or where surface runoff velocities may preclude adequate infiltration at the pavement surface.
9. Where permeable pavements cannot provide sufficient strength to support heavy loads at industrial facilities such as ports.
10. Where installation of permeable pavement would threaten the safety or reliability of pre-existing underground utilities, pre-existing underground storage tanks, or pre-existing road sub-grades.

**The following criteria can be cited as reasons for a finding of infeasibility without further justification (though some require professional services to make the observation):**

11. Within an area designated as an *erosion hazard area* or *landslide hazard*.
12. Within 50 feet from the top of slopes that are greater than 20%.
13. For properties with known soil or ground water contamination (typically federal Superfund sites or state cleanup sites under the Model Toxics Control Act [MTCA]):
  - a) Within 100 feet of an area known to have deep soil contamination;
  - b) Where ground water modeling indicates infiltration will likely increase or change the direction of the migration of pollutants in the ground water;
  - c) Wherever surface soils have been found to be contaminated unless those soils are removed within 10 horizontal feet from the infiltration area;
  - d) Any area where these facilities are prohibited by an approved cleanup plan under the state Model Toxics Control Act or Federal Superfund Law, or an environmental covenant under Chapter 64.70 RCW.
14. Within 100 feet of a closed or active landfill.
15. Within 100 feet of a drinking water well, or a spring used for drinking water supply, if the pavement is a pollution-generating surface. Within *Zone 1 of the Aquifer Protection Area*.
16. Within 10 feet of a small on-site sewage disposal drainfield, including reserve areas, and grey water reuse systems. For setbacks from a "large on-site sewage disposal system," see Chapter 246-272B WAC.
17. Within 10 feet of any underground storage tank and connecting underground pipes, regardless of tank size. As used in these criteria, an underground storage tank means any tank used to store petroleum products, chemicals, or liquid hazardous wastes of which 10% or more of the storage volume (including volume in the connecting piping system) is beneath the ground surface.
18. At multi-level parking garages, and over culverts and bridges.
19. Where the site design cannot avoid putting pavement in areas likely to have long-term excessive sediment deposition after construction (e.g., construction and landscaping material yards).
20. Where the site cannot reasonably be designed to have a porous asphalt surface at less than 5 percent slope, or a pervious concrete surface at less than 10 percent slope, or a permeable interlocking concrete pavement surface (where appropriate) at less than 12 percent slope. Grid systems upper slope limit can range from 6 to 12 percent; check with manufacturer and local supplier.
21. Where the native soils below a pollution-generating permeable pavement (e.g., road or parking lot) do not meet the soil suitability criteria for providing treatment:
  - Minimum organic matter content of 1.0%, and
  - Minimum cation exchange capacity of 8 milliequivalents per 100 grams

*Note that where the soil beneath the infiltration BMP does not have properties that reduce the risk of groundwater contamination, the applicant has the option of using permeable pavement if a 6" sand layer beneath the permeable pavement is included in the design. This approach is optional and does not make permeable pavement required to be implemented as part of the prescriptive BMP lists detailed in Core Requirement #9 of the SWDM and Section C.1.3 of Appendix C.*

22. Where seasonal high ground water or an underlying impermeable/low permeable layer would create saturated conditions within one foot of the bottom of the lowest gravel base course.
23. Where underlying soils are unsuitable for supporting traffic loads when saturated. Soils meeting a California Bearing Ratio of 5% are considered suitable for residential access roads.
24. Where appropriate field testing indicates soils have a measured (a.k.a., initial) native soil saturated hydraulic conductivity less than 0.3 inches per hour.
25. Roads that receive more than very low traffic volumes, and areas having more than very low truck traffic. Roads with a projected average daily traffic volume of 400 vehicles or less are very low volume roads (AASHTO, 2001) (U.S. Dept. of Transportation, 2013). Areas with very low truck traffic volumes are roads and other areas not subject to through truck traffic but may receive up to weekly use by utility trucks (e.g., garbage, recycling), daily school bus use, and multiple daily use by pick-up trucks, mail/parcel delivery trucks, and maintenance vehicles.  
*Note: This infeasibility criterion does not extend to sidewalks and other non-traffic bearing surfaces.*
26. Where replacing existing impervious surfaces unless the existing surface is a non-pollution generating surface over an outwash soil with a saturated hydraulic conductivity of four inches per hour or greater.
27. At sites defined as “high use sites.”
28. In areas with “industrial activity” as identified in 40 CFR 122.26(b)(14).
29. Where the risk of concentrated pollutant spills is more likely such as gas stations, truck stops, and industrial chemical storage sites.
30. Where routine, heavy applications of sand occur in frequent snow zones to maintain traction during weeks of snow and ice accumulation, including sidewalks within 7 feet of driving lanes with sand application.
31. The areas contributing runoff to the permeable pavement facilities exceed the maximum run-on limits:
  - Pollution-generating impervious surfaces (e.g., roadways, parking lots) exceed the maximum run-on area ratio of 2:1
  - Non-pollution generating impervious surfaces (e.g., roofs, sidewalks) exceed the maximum run-on area ratio of 5:1

### C.2.7.1 MINIMUM DESIGN REQUIREMENTS

All of the following requirements must be met in order for permeable pavement to be applicable to a *target impervious surface*:

1. One of the following types of permeable pavement must be used in accordance with the design specifications for each type as set forth in Sections C.2.7.2 through C.2.7.6:
  - **Porous concrete** (see Section C.2.7.2)
  - **Porous asphalt** (see Section C.2.7.3)
  - **Permeable pavers** (see Section C.2.7.4)
  - **Modular grid pavement** (see Section C.2.7.5)
  - **Grassed modular grid pavement** (see Section C.2.7.6)

2. Permeable pavements shall be installed in accordance with the manufacturer's specifications, except when such specifications are less stringent than those set forth in Sections 2.7.2 through C.2.7.6. A schematic representation of permeable pavement is shown on Figure C.2.7.1.A.
3. Permeable pavements shall not be placed on slopes steeper than 5% for porous asphaltic concrete and 10% for all other types.
4. For permeable pavements placed on slopes steeper than 5%, impermeable check dams shall be placed on the subgrade and below the pavement surface with the intent to increase infiltration, improve flow attenuation, and reduce structural problems associated with subgrade erosion on slopes (See Figure C.2.7.1.B). Check dams should have an overflow drain invert placed at the maximum ponding depth created by the check dam. Based on an assumed 5" check dam height in a 6"-thick gravel storage base, check dam spacing shall range from 4 feet on center for 10% slopes to 8 feet on center for 5% slopes and interpolated linearly for slopes in between. At minimum, one check dam shall be provided at the toe of the subgrade/downstream limit of the permeable pavement section. Check dams used to achieve LID Performance modeling shall be placed as required by the design—note that the area of the check dams is not counted as part of the infiltrative footprint when modeling.
5. Permeable pavements that are pollution generating are only allowed where the underlying soils meet criteria for groundwater protection:
  - Minimum organic matter content of 1.0%, and
  - Minimum cation exchange capacity of 8 milliequivalents per 100 grams

Where the soil beneath the infiltration BMP does not have properties that reduce the risk of groundwater contamination, the applicant has the option of using permeable pavement if a 6" sand layer beneath the permeable pavement is included in the design. This approach is optional and does not prompt the requirement that the permeable pavement be implemented as part of the prescriptive BMP lists detailed in Core Requirement #9 of the *SWDM* and Section C.1.3 of Appendix C.

6. Permeable pavement is not allowed within 50 feet of a ***steep slope hazard area, erosion hazard area, or landslide hazard.***
7. Permeable pavement proposed near slopes steeper than 15% must be approved by a ***geotechnical engineer or engineering geologist*** unless otherwise approved by CED if the facility is located within a setback from the top of slope equal to the total vertical height of the slope area that is steeper than 15%. The geotechnical analysis must consider cumulative impacts from the project and surrounding areas under full built-out conditions.
8. Permeable pavement that directs overflow towards slopes steeper than 15% may require evaluation and approval of the proposal by a ***geotechnical engineer or engineering geologist*** unless otherwise approved by CED. The geotechnical analysis must consider cumulative impacts from the project and surrounding areas under full built-out conditions.
9. Permeable pavement proposed within 200 feet of a ***steep slope hazard area, erosion hazard area, or landslide hazard*** must be approved by a ***geotechnical engineer or engineering geologist*** unless otherwise approved by CED.
10. Permeable pavement must not create **flooding or erosion impacts** as determined by CED. If permeable pavement is proposed near or directs overflow towards a ***landslide hazard, erosion hazard area, or a steep slope hazard area***, CED may require evaluation and approval of the proposal by a ***geotechnical engineer or engineering geologist***. The geotechnical analysis must consider cumulative impacts from the project and surrounding areas under full built-out conditions.

### Underdrain (if required)

Underdrain systems must be installed for private roads and privately maintained facilities if the permeable pavement is:

- Located near sensitive infrastructure (e.g., unsealed basements) and potential for flooding is likely
- Used for filtering stormwater flows from gas stations or other pollutant hotspots (requires an impermeable liner)
- Located above subgrade soils with a measured infiltration rate of less than 0.3 inches per hour.
- In an area that does not provide a minimum of 3 feet of clearance between the lowest elevation of the bioretention soil mix, or any underlying gravel layer, and the seasonal high groundwater elevation or other impermeable layer

The underdrain pipe diameter will depend on hydraulic capacity required. The underdrain shall be connected to an *acceptable discharge point* which can either be an enclosed drainage system (i.e., pipe system, culvert, or tightline) or an open drainage feature (e.g., ditch, channel).

Requirements associated with the underdrain design include:

1. The underdrain must be elevated within the aggregate base course to protect the pavement wearing course from saturation.
2. Slotted subsurface drain PVC per ASTM D1785 SCH 40.
3. Slots should be cut perpendicular to the long axis of the pipe and be 0.04 to 0.069 inches by 1 inch long and be spaced 0.25 inches apart (spaced longitudinally). Slots should be arranged in four rows spaced on 45-degree centers and cover ½ of the circumference of the pipe.
4. Underdrain pipe shall have a minimum diameter of 8 inches in the public ROW and 6 inches for private property.
5. Underdrain pipe slope shall be no less than 0.5 percent unless otherwise specified by an engineer.
6. Pipe shall be placed in filter material and have a minimum cover depth of 12 inches and bedding depth of 6 inches. Cover depth may be reduced up to 6 inches in order to discharge stormwater from the facility under gravity flow conditions while meeting the applicable engineering standards, if approved by the City.
7. Filter material shall meet the specifications in Table C.2.7.1.A.

<b>TABLE C.2.7.1.A. UNDERDRAIN AGGREGATE</b>	
<b>Sieve Size</b>	<b>Percent Passing</b>
¾ inch	100 percent
¼ inch	30 to 60 percent
U.S. No. 8	20 to 50 percent
U.S. No. 50	3 to 12 percent
U.S. No. 200	0 to 1 percent

11. Underdrains shall have a maintenance access point (e.g., cleanout, observation port, overflow structure) at each end of a facility and a minimum of every 100 feet along the pipe. Cleanouts and observation ports shall have locking cast iron caps and shall be constructed of non-perforated pipe (sized to match the underdrain diameter).
12. If an orifice is included in the design, the minimum diameter shall be 0.5 inches to minimize clogging and maintenance requirements.

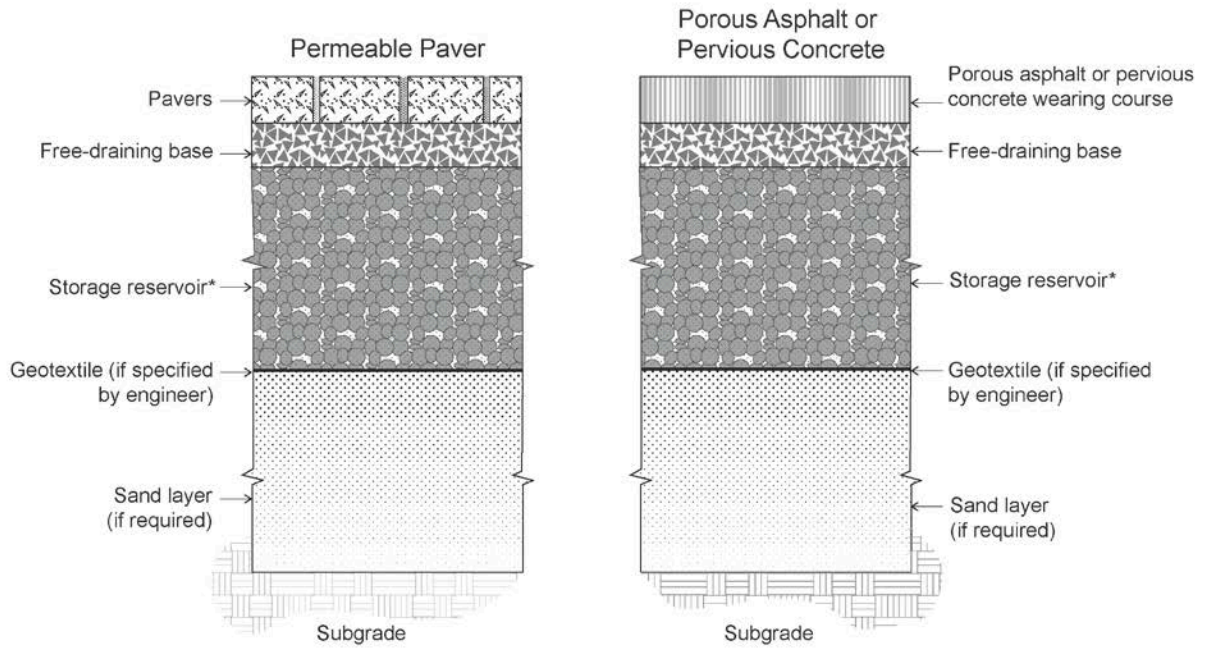
**Overflow**

Minimum design requirements associated with the overflow design for permeable pavement include the following:

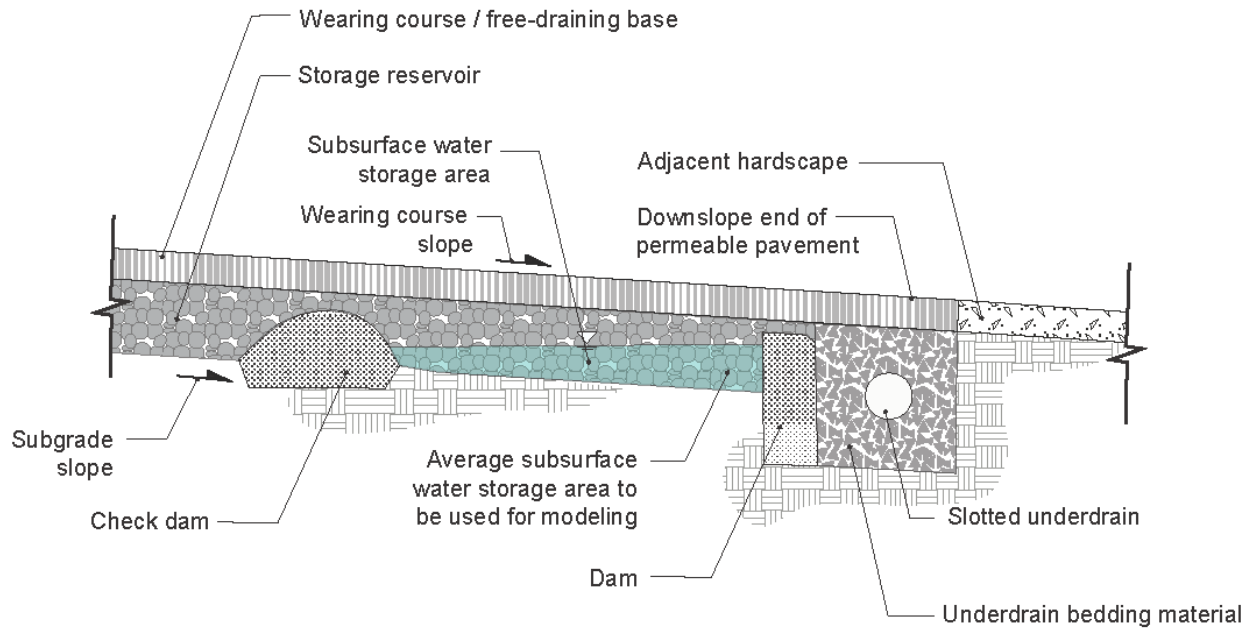
1. Overflow shall be designed to convey any flow exceeding the capacity of the facility. Options include:
  - Subsurface slotted drain pipe(s) set at the design ponding elevation to route flow to a conveyance system
  - Lateral flow through the storage reservoir to a daylighted conveyance system
2. For permeable pavement installed on a sloped subgrade, at least one overflow shall be sited at the downslope extent of the facility.
3. If a slotted overflow pipe is used to collect water in the permeable pavement section, the pipe diameter and spacing shall be designed based on the hydraulic capacity required. A non-perforated cleanout (sized to match underdrain diameter) shall be connected to the underdrain every 100 feet at a minimum.
4. A minimum wearing course surface slope of 1 percent is required (2 percent recommended) to ensure positive surface drainage should the surface become clogged.
5. The designer shall consider the flow path of water when the permeable pavement section is fully saturated to the maximum design depth or when the wearing course is clogged to confirm there are no unanticipated discharge locations (e.g., impact to intersecting utility trenches, sheet flow to adjacent properties). The flow path shall be described on the plan submittal.



**FIGURE C.2.7.1.A SCHEMATIC REPRESENTATION OF PERMEABLE PAVEMENT**



**FIGURE C.2.7.1.B SCHEMATIC REPRESENTATION OF PERMEABLE PAVEMENT WITH CHECK DAMS**



### C.2.7.2 POROUS CONCRETE

*Porous concrete* consists of a mix of aggregate, cement paste, water and admixtures, but contains less fine aggregate than conventional concrete. Voids in the hardened concrete allow water to drain through the surface into the subgrade.

**Uses:** Sidewalks, patios, parking areas, roads and driveways.

#### Design Specifications

1. A minimum of 6 inches of free-draining sand or gravel base is required under the porous concrete surface.
2. The free-draining base shall have less than 5% fines (material passing the #200 sieve) based on the fraction passing the #4 sieve.
3. The porous concrete pavement shall be permeable enough to absorb water at a minimum rate of 20 inches per hour immediately after the pavement surface has been wetted continuously for at least 10 minutes. Compliance with this minimum rate shall be checked prior to construction approval of the pavement. Compliance may be checked using a simple bucket test in which 5 gallons of water are poured onto the pavement surface all at once from a 5-gallon bucket. If nothing but a scant amount of water puddles or runs off the surface, then the pavement is considered to meet the minimum rate of absorption. If this test is not conclusive, use of ASTM C1701 is recommended using a 12-inch ring sealed at the base to the pavement surface shall be used to measure the actual rate of absorption. At least one test should be conducted per 1,000 square feet of permeable pavement. As an alternative for large areas (e.g., parking areas), testing observation may be accomplished while walking behind a slowly moving water truck discharging water at an acceptable rate for the test (observable volume and rate of application similar, at least, to the bucket test).
4. Porous concrete proposed for roadway improvements (e.g., roads and sidewalks) shall be per the City of Renton Standard Details and the requirements of the City of Renton Transportation Department and Surface Water Utility as applicable or as otherwise approved by the City Engineer.
5. Sidewalks and patios on private property not subject to vehicles shall be a minimum of 4 inches thick and should have a minimum 28-day compressive strength of 2,000 psi.

### C.2.7.3 POROUS ASPHALT

*Porous asphalt* uses a mix that contains less fine aggregate than conventional asphaltic concrete. Voids in the pavement allow water to drain through the surface into the subgrade.

**Uses:** Sidewalks, patios, parking areas, roads and driveways.

#### Design Specifications

Same as for porous concrete.

### C.2.7.4 PERMEABLE PAVERS

*Permeable pavers* provide a solid surface but allow natural drainage and migration of water into the earth by permitting water to drain through the spaces between the pavers. On the Internet, there are a number of manufacturers and installers.

**Uses:** Sidewalks, patios, parking areas, and driveways.

#### Design Specifications

Same as for porous concrete, except that the pavement thickness shall be as specified by the manufacturer or a *civil engineer*. Use of ASTM C1781 is recommended to confirm the initial surface absorption rate.

### C.2.7.5 MODULAR GRID PAVEMENT

*Modular grid pavement* consists of a lattice of concrete, plastic, or other load bearing material over a permeable base of gravel or sand (or both). Several manufacturers supply the modular grid materials used for such pavement. These materials include plastic lattice, concrete pavers, or special forms for a cast-in-place concrete grid. These systems use a confining structure incorporated into the subgrade with an engineered fill material.

**Uses:** Low-traffic or infrequently used areas such as low-traffic driveways, overflow parking, event parking, church parking, employee parking, maintenance access roads, etc.; they are not allowed road rights-of-way.

#### **Design Specifications**

1. A minimum of 6 inches of free draining base material (sand or gravel) is required under the modular grid material.
2. The modular grid material must be installed according to the manufacturer's instructions.
3. The surface area of the modular grid openings must be at least 50% of the total surface area of the modular grid pavement.
4. The modular grid openings must be filled with gravel, sand, or a mixture of both.
5. Smooth surface walkways may be run across modular grid pavements, provided the impervious surfaced walkways do not exceed 10 percent of the total pavement surface.

### C.2.7.6 GRASSED MODULAR GRID PAVEMENT

*Grassed modular grid pavement* is basically a modular grid pavement with grass planted in the openings or in a thin layer of soil over the grid material. The benefits of this measure are reduced runoff peaks and volumes resulting from the increased infiltration of stormwater, the increased water storage provided in the grid soil and base, and the increased evapotranspiration provided by the grass. The grassed surface also helps remove pollutants that are left behind by vehicles.

**Uses:** Low-traffic or infrequently used areas such as low-traffic driveways, overflow parking, event parking, church parking, employee parking, maintenance access roads, etc.; they are not allowed in road rights-of-way.

#### **Design Specifications**

1. A minimum of 6 inches of free draining base material (sand or gravel) is required under the modular grid material.
2. The modular grid material must be installed according to the manufacturer's instructions.
3. The surface area of the modular grid openings must be at least 50% of the total surface area of the modular grid pavement.
4. The modular grid openings must be filled with a sandy soil mix suitable for growing grass as specified by the manufacturer's instructions or a landscape architect.
5. Smooth surface walkways may be run across modular grid pavements, provided the impervious surfaced walkways do not exceed 10 percent of the total pavement area.

### C.2.7.7 MAINTENANCE INSTRUCTIONS FOR PERMEABLE PAVEMENT

If the permeable pavement on-site BMP is proposed for a project, maintenance and operation instructions, plus any provided by the manufacturer or installer, must be recorded as an attachment to the required **declaration of covenant and grant of easement** per Requirement 3 of Section C.1.3.4. The intent of these instructions is to explain to future property owners, the purpose of the BMP and how it must be maintained and operated. These instructions are intended to be a minimum; CED may require additional instructions based on site-specific conditions or manufacturer's recommendations. Future updates to these instructions will be posted on the City of Renton's *SWDM* website.

A reproducible copy of the instructions, prepared for inclusion with the declaration of covenant, is located in Reference Section 8-M.

### C.2.7.8 CONSTRUCTION SEQUENCING

There are many potential applications and site scenarios where permeable pavement can be applied. The following techniques highlight the most broadly applicable techniques to be used to protect permeable pavement during construction. Refer to Appendix D for general site protection measures and Appendix D, Section D.2.1.10 for protection measures specific to existing and proposed on-site BMPs. In addition to those techniques, the following techniques apply specifically for protection of permeable pavement during construction:

- Prior to construction:
  - Use procedural BMPs to plan construction. For example, phase construction to minimize compaction, sedimentation, or structural damage to the permeable pavement.
  - The permeable pavement area shall be clearly identified (e.g., using flagging or high visibility fencing) and protected prior to construction to prevent compaction of underlying soils by vehicle traffic.
  - The Construction SWPPP sheets must outline construction sequencing that will protect the permeable pavement during construction.
  - Stabilize upslope construction areas (e.g., using silt fences, berms, mulch, or other Construction SWPPP BMPs) and minimize overland flow distances.
- During construction:
  - Use physical construction BMPs SWPPP BMPs and/or grade the site to avoid sediment laden runoff from reaching permeable pavements.
  - Place protective surfaces (e.g., waterproof tarps and steel plates) over any permeable pavement areas used for construction staging.
  - Do not drive sediment-laden construction equipment on the base material or pavement. Do not allow sediment-laden runoff on permeable pavements or base materials.
  - Once the pavement is finished and set, cover the pavement surface with plastic and geotextile to protect from other construction activities. Close and protect the pavement area until the site is permanently stabilized.
  - Incorporate measures to protect road subgrade from over compaction and sedimentation if permeable pavement roads are used for construction access.
  - Cover the aggregate base or pavement surface with protective geotextile fabric and protect fabric with steel plates or gravel. Gravel should only be used to protect the fabric placed over aggregate base.
- Post construction:
  - Once construction is complete and the site is permanently stabilized, remove protective geotextile, clean, and complete pavement installation.

## C.2.8 RAINWATER HARVESTING

*Rainwater harvesting* means the collection and storage of roof runoff for domestic or irrigation uses. Rainwater harvesting systems include a collection area, a filter, a storage device and an outflow device. Storage may be above ground or below grade and may consist of tanks or vaults. Example configurations are shown in Figure C.2.8.A and Figure C.2.8.B. The stored water may be used for any domestic purpose including irrigation. The distribution system may be gravity or pumped.

### Applicable Surfaces

Subject to the minimum design requirements and specifications in this section, rainwater harvesting systems may be used with any roof area.

### Design Considerations

Provisional specifications available in the State Uniform Building Code (UBC) for commercial rainwater systems may be used for guidance in designing the various elements of a non-commercial system.

*Note: a water right is not required for on-site storage and use of rooftop or guzzler-collected rainwater. A guzzler is a device used to catch and store rainwater to provide drinking water for wildlife, livestock, or birds.*

### Operation and Maintenance

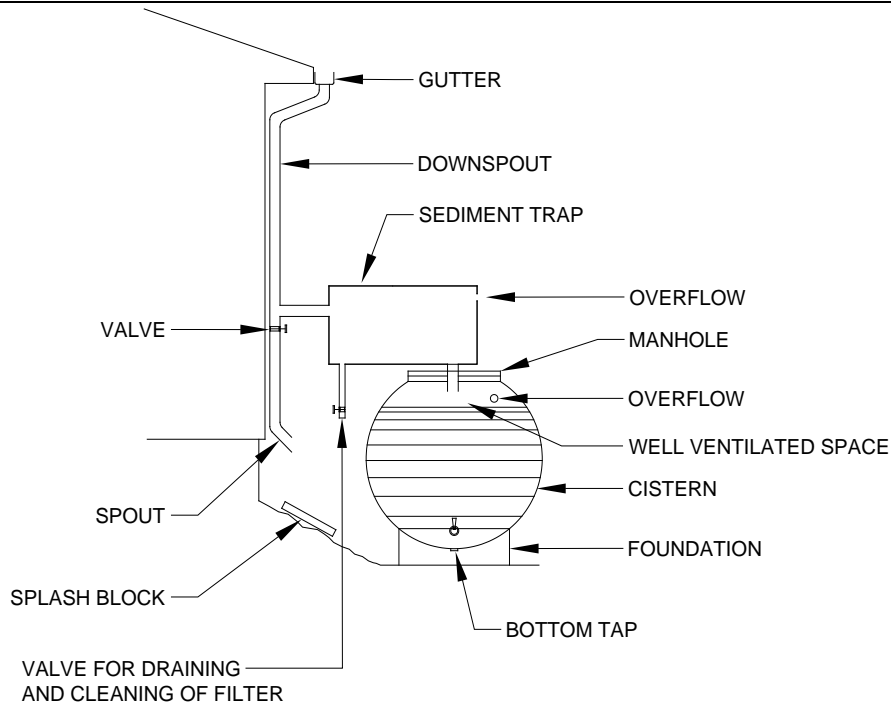
See Section C.2.8.2 and Minimum Design Requirement 2 below.

### C.2.8.1 MINIMUM DESIGN REQUIREMENTS

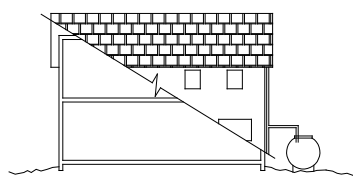
All of the following requirements must be met in order for rainwater harvesting to be applicable to a *target impervious surface*:

1. For a rainwater harvesting system proposed to be used towards meeting Core Requirement #3 (Flow Control) or Core Requirement #9 (On-site BMPs) requirements, an approved drainage adjustment is required that demonstrates the system's impact/benefit and specifies conditions of use to achieve the same.
2. To ensure the system functions as designed and provides the required stormwater management, **system-specific maintenance and operation instructions** must be submitted and approved by CED. Such instructions should be prepared by the system's manufacturer or installer.
3. A minimum 5-foot **setback** shall be maintained between any part of the rainwater harvesting system and any property line.

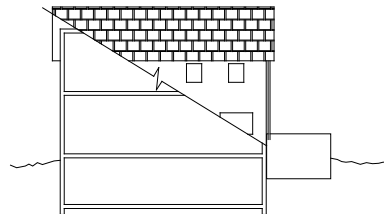
**FIGURE C.2.8.A SCHEMATIC REPRESENTATION OF A TYPICAL ABOVE GROUND RESERVOIR CONFIGURATION (STENSROD, 1978)**



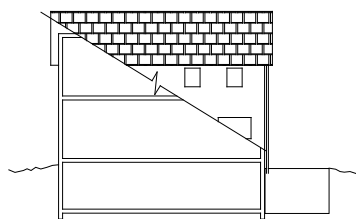
**FIGURE C.2.8.B SCHEMATIC REPRESENTATION OF VARIOUS POSSIBLE RESERVOIR CONFIGURATIONS (STENSROD, 1978)**



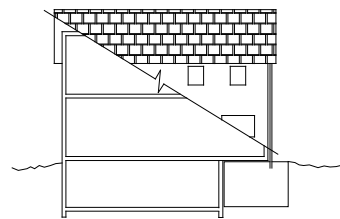
RESERVED ABOVE GROUND  
(INSULATE IF NECESSARY)



PARIALLY BURIED RESERVOIR



RESERVOIR BURIED  
OUTSIDE BASEMENT



RESERVOIR IN BASEMENT

## C.2.8.2 MAINTENANCE INSTRUCTIONS FOR RAINWATER HARVESTING

If the rainwater harvesting on-site BMP is proposed for a project, maintenance and operation instructions must be incorporated into the maintenance and operation instructions required per Minimum Design Requirement 2. All such instructions must be recorded as an attachment to the required **declaration of covenant and grant of easement** per Requirement 3 of Section C.1.3.4. The intent of these instructions is to explain to future property owners, the purpose of the BMP and how it must be maintained and operated. These instructions are intended to be a minimum; CED may require additional instructions based on site-specific conditions or manufacturer's recommendations. Future updates to these instructions will be posted on City of Renton's *Surface Water Design Manual* website.

A reproducible copy of the instructions, prepared for inclusion with the declaration of covenant, is located in Reference Section 8-M.

## C.2.9 REDUCED IMPERVIOUS SURFACE CREDIT

*Reduced impervious surface credit* means a credit toward meeting impervious surface on-site BMP requirements through application of techniques that result in less impervious surface coverage than is typically constructed or allowed for a particular land use. The credit may be used to mitigate for impervious surface to which on-site BMPs must be applied as specified by BMP Requirement 3 in either Section C.1.3.1 or Section C.1.3.2 .

To receive the credit, a reduction in impervious surface below established norms must be assured through covenant and/or alternative design of impervious surfaces as described in the subsections below. For every square foot of reduced impervious surface assured, an equal area of **actual proposed target impervious surface** may be credited as mitigated, provided the runoff from the credited area is either directed to vegetated pervious areas on the *site* or discharged through a perforated pipe connection per Section C.2.11.

### Applicable Surfaces

Subject to the minimum design requirements and specifications in this section, the reduced impervious surface credit may be applied to any impervious surface such as a roof, driveway, parking area, or road.

### Operation and Maintenance

See Section C.2.9.7.

## C.2.9.1 MINIMUM DESIGN REQUIREMENTS

All of the following requirements must be met in order for the reduced impervious surface credit to be applicable to a *target impervious surface*:

1. **One or more of the following techniques** must be used to reduce, restrict, or otherwise mitigate for impervious surface subject to on-site BMPs:
  - **Restricted footprint** (see Section C.2.9.2)
  - **Wheel strip driveways** (see Section C.2.9.3)
  - **Minimum disturbance foundation** (see Section C.2.9.4)
  - **Open grid decking over pervious surface** (see Section C.2.9.5)
2. The area of *target impervious surface credited as mitigated* by the reduced impervious surface credit must meet all of the following requirements:
  - a) The area credited as mitigated must be no more than 10,000 square feet on any one *site/lot* unless the surface is served by a flow control facility designed by a *civil engineer* in accordance with Section 1.2.3 of the *SWDM*.



- b) Any runoff from the area credited as mitigated must be directed to vegetated pervious areas on the *site/lot* or discharged through a perforated pipe connection per Section C.2.11.
- c) Any portion of the area credited as mitigated that is *pollution-generating impervious surface* must be less than 5,000 square feet on any one *site/lot* unless the surface is served by a water quality treatment facility designed by a *civil engineer* in accordance with Section 1.2.8 of the *SWDM*.

### C.2.9.2 RESTRICTED FOOTPRINT

*Restricted footprint* means the recording of a covenant that limits the amount of future impervious surface coverage on a *site/lot* to an amount less than the norm as specified below:

1. For *sites/lots* that are **smaller than 22,000 square feet**, any recorded limit on total impervious surface less than a norm of 4,000 square feet or the maximum allowed by the *site/lot's* zoning, whichever is smaller, qualifies for a restricted footprint credit equal to the difference in square footage. In other words, for every square foot that the recorded limit is below the norm, an equal area of **actual proposed target impervious surface** is credited as mitigated subject to Minimum Design Requirement 2 in Section C.2.9.1.
2. For *sites/lots* that are **between 22,000 square feet and 250,000 square feet**, any recorded limit of total impervious surface in an amount less than a norm of 4,000 square feet or 4% of the *site/lot* area, whichever is greater, qualifies for a restricted footprint credit equal to the difference in square footage. For every square foot that the recorded limit is below the norm, an equal area of **actual proposed target impervious surface** is credited as mitigated subject to Minimum Design Requirement 2 in Section C.2.9.1.
3. For *sites/lots* that are **greater than 250,000 square feet**, no restricted footprint credit is available.

### C.2.9.3 WHEEL STRIP DRIVEWAYS

*Wheel strip driveways* consist of two pavement strips and grass planted in amended soil, all within a “driveway width norm” of 10 feet. Subject to Minimum Design Requirement 2 in Section C.2.9.1, an area of **actual proposed target impervious surface** equal to the driveway length times 10 feet of width is credited as mitigated if all of the following requirements are met:

1. The **pavement strips** must be no more than 2.5-feet wide.
2. At least 4 feet of the driveway width must be **amended soil planted with grass**. The amended soil must consist of at least 4 inches of well-rotted compost tilled into the upper 8 inches of the soil between the impervious strips.

### C.2.9.4 MINIMUM DISTURBANCE FOUNDATION

*Minimum disturbance foundations* consist of pile or pier supports such that all or a portion of the finished living space is elevated over a pervious surface. The intent of this system is to provide additional storage for runoff in the soil beneath the structure. Subject to Minimum Design Requirement 2 in Section C.2.9.1, this technique qualifies for a 100% credit if the following requirements are met:

1. The **pervious surface beneath** the elevated portion of the structure must be either undisturbed native soil or amended soil. Any amended soil must consist of at least 4 inches of well-rotted compost tilled into the upper 8 inches of the soil.
2. **Runoff** from the structure must be discharged via downspouts or sheet flow onto a vegetated surface or into a 4- to 6-inch gravel bed within close proximity of the elevated structure. Runoff discharging from downspouts onto a vegetated surface must be via splash blocks.

### C.2.9.5 OPEN GRID DECKING OVER PERVIOUS SURFACE

*Open grid decking over pervious surface* is a steel, plastic, or wood deck with regularly spaced openings suspended over a pervious surface. Such decking may be used as an alternative to impervious surface for such applications as parking or other vehicle use, and/or walkways, etc. This technique qualifies for a 100% credit if the following requirements are met:

1. The pervious surface beneath the decking must be either undisturbed native soil, or amended soil in accordance with Section C.2.13 which requires soil amendment to mitigate for lost moisture holding capacity where compaction or removal of some or all of the duff layer or underlying topsoil has occurred.
2. The full area of decking over pervious surface may be used to qualify for a reduced impervious surface credit subject to Minimum Design Requirement 2 in Section C.2.9.1. This means that for every square foot of decking over pervious surface, an equal amount of *target impervious surface* is considered mitigated, except as restricted by Minimum Design Requirement 2 in Section C.2.9.1.
3. The **openings** in the decking must be at least 8% of the surface area and must be evenly distributed across the surface such that there are at least 2 openings per square foot.
4. The decking and its supports shall be designed by a *civil engineer* or structural engineer as deemed necessary by CED.

### C.2.9.6 EXAMPLE CREDIT CALCULATIONS

A project proposes to add 3,500 square feet of impervious surface to a 2-acre lot, which includes a 2,575-square-foot house (footprint) with a 1,600 square foot minimum disturbance foundation, a 600-square-foot parking pad, 25-foot-long wheel strip driveway (125 square feet), and a 200-square-foot wood deck. The 3,500 sf of impervious surface includes the two concrete wheel strips, which are each 2.5 feet wide (125 sf). The project is subject to the Large Lot BMP Requirements in Section C.1.3.2, so all new impervious surface (i.e., *target impervious surface*) must be mitigated with on-site BMPs. Full dispersion and full infiltration are not applicable or feasible. Therefore, other on-site BMPs in Section C.2 must be used to mitigate all 3,500 square feet of proposed *target impervious surface*.

#### Restricted Footprint

Because the 3,500 square feet of proposed impervious surface is less than the established norm for the lot of 4,000 square feet, the project is eligible for a reduced footprint credit if a covenant is recorded that limits impervious surface coverage to the 3,500 square feet proposed.

Therefore, the area of *target impervious surface* credited as mitigated is:  $4,000 \text{ sf} - 3,500 \text{ sf} = 500 \text{ sf}$

This leaves a remaining impervious area (restricted footprint) of 3,000 sf ( $3,500 \text{ sf} - 500 \text{ sf} = 3,000 \text{ sf}$ ) that must be mitigated by other on-site BMPs.

#### Wheel Strip Driveway

If the wheel strip driveway complies with the specifications in Section C.2.9.3, an area of actual proposed *target impervious surface* equal to the area that would be covered by a 10-foot-wide driveway (i.e., the established “driveway width norm”) is credited as mitigated. The wheel strips themselves are considered part of the actual proposed *target impervious surface* area being credited as mitigated.

Thus, the area of *target impervious surface* credited as mitigated is:  $10 \text{ ft} \times 25 \text{ ft} = 250 \text{ sf}$

This leaves a remaining impervious area of 2,750 sf ( $3,000 \text{ sf} - 250 \text{ sf} = 2,750 \text{ sf}$ ) that must be mitigated by other on-site BMPs.

### Minimum Disturbance Foundation

If the 1,600 square foot minimum disturbance foundation complies with the specifications in Section C.2.9.4, the foundation area is credited at 100%.

Thus, the area of *target impervious surface* credited as mitigated is: **1,600 sf**

This leaves a remaining impervious area of 1,150 sf (2,750 sf – 1,600 sf = 1,150 sf) that must be mitigated by other on-site BMPs.

### Open Grid Decking Over Pervious Surface

If the 200 square-foot wood deck complies with the specifications in C.2.9.5, the deck is credited at 100%.

Thus, the total area of *target impervious surface* credited as mitigated is: **200 sf**

This leaves a remaining impervious area of 950 sf (1,150 sf – 200 sf = 950 sf) that must be mitigated by other on-site BMPs.

## C.2.9.7 MAINTENANCE INSTRUCTIONS

If a reduced impervious surface on-site BMP is proposed for a project, maintenance and operation instructions must be recorded in or as an attachment to the required **declaration of covenant and grant of easement** per Requirement 3 of Section C.1.3.4. The intent of these instructions is to explain to future property owners, the purpose of the BMP and how it must be maintained and operated. These instructions are intended to be a minimum; CED may require additional instructions based on site-specific conditions. Future updates to the instructions will be posted on the City of Renton's *Surface Water Design Manual* website.

A reproducible copy of the instructions, prepared for inclusion with the declaration of covenant, is located in Reference Section 8-M.

## C.2.10 NATIVE GROWTH RETENTION CREDIT

*Native growth retention credit* means a credit toward meeting impervious surface on-site BMP requirements through voluntary preservation of *native vegetated surface* on otherwise unencumbered land that is flat to moderately sloped. The credit may be used to mitigate for impervious surface to which on-site BMPs must be applied as specified and allowed in Section C.1.3 and Section 1.2.9 of the *SWDM*.

To receive the credit, at least 3.5 square feet of *native vegetated surface* must be preserved for every square foot of impervious surface to be mitigated by the *native vegetated surface*. In other words, for every 3.5 square feet of native vegetated pervious surface preserved, one square foot of *target impervious surface* may be credited as mitigated, provided the runoff from the credited area is either directed to vegetated pervious areas on the *site* or discharged through a perforated pipe connection per Section C.2.11.

### Applicable Surfaces

Subject to the minimum design requirements and specifications in this section, the native growth retention credit may be applied to any impervious surface such as a roof, driveway, parking area, or road.

### Operation and Maintenance

See Section C.2.10.3.

### C.2.10.1 MINIMUM DESIGN REQUIREMENTS

All of the following requirements must be met in order for the native growth retention credit to be applicable to a **target impervious surface**:

1. The area of native vegetated surface being preserved (donor area) to mitigate for target impervious surface must meet all of the following criteria:
  - a) The donor area must be 3.5 times the area of impervious surface being credited as mitigated by the native vegetated surface.
  - b) The donor area must consist of native vegetated surface, which means that the area may be either existing forest or forest created in accordance with the specifications for “native vegetated landscape” in Section C.2.1.8.
  - c) The donor area must be in addition to any required set-asides for recreation prior to City annexation, critical areas (and applicable buffers) in RMC 4-3-050, or to meet the clearing standards in RMC 4-4-060.
  - d) The donor area must not slope more than 15%.
  - e) The donor area must be set aside as “native growth retention area” as specified in Section C.2.1.9.  
*Note this area may be used to manage dispersed stormwater from other areas within the site.*
4. The area of target impervious surface credited as being mitigated by the native growth retention credit must meet all of the following requirements:
  - a) The area credited as mitigated must be no more than 10,000 square feet on any one *site* unless the surface is served by a flow control facility designed by a **civil engineer** in accordance with Section 1.2.3 of the *SWDM*.
  - b) Any runoff from the area credited as mitigated must be directed to vegetated pervious areas on the *site/lot* or discharged through a perforated pipe connection per Section C.2.11.
  - c) Any portion of the area credited as mitigated that is **pollution-generating impervious surface** must be less than 5,000 square feet on any one *site* unless the surface is served by a water quality treatment facility designed by a **civil engineer** in accordance with Section 1.2.8 of the *SWDM*.

### C.2.10.2 EXAMPLE SIZING CALCULATION

Area of **target impervious surface** to be credited as mitigated: 500 square feet

Donor area of **native vegetated surface** that must be preserved:  $500 \times 3.5 = 1,750$  square feet

### C.2.10.3 MAINTENANCE INSTRUCTIONS

If the native growth retention credit on-site BMP is proposed for a project, maintenance and operation instructions must be recorded as an attachment to the required **declaration of covenant and grant of easement** per Requirement 3 of Section C.1.3.4. The intent of these instructions is to explain to future property owners, the purpose of the BMP and how it must be maintained and operated. These instructions are intended to be a minimum; CED may require additional instructions based on site-specific conditions. Future updates to the instructions will be posted on City of Renton’s *Surface Water Design Manual* website.

A reproducible copy of the instructions, prepared for inclusion with the declaration of covenant, is located in Reference Section 8-M.

## C.2.11 PERFORATED PIPE CONNECTION

*Perforated pipe connections* are intended to convey concentrated runoff from impervious surfaces (usually roof runoff) directly to a local drainage system while providing some infiltration of that runoff in the process. They are required for any pipe connection of roof downspouts to the local drainage system regardless of the extent to which on-site BMPs are required or being used onsite. Perforated pipe connections are intended to provide for some infiltration during drier periods (late spring through early fall), which may help dampen the flashiness of stream flows in developed areas and provide some groundwater recharge. During the wet winter months, however, this BMP likely provides little or no flow control benefits. Therefore, it is not credited with mitigating **target impervious surface**.

### Applicable Surfaces

Subject to the minimum design requirements below, the perforated pipe connection may be applied to concentrated runoff from any impervious surface or nonnative pervious surface.

### Operation and Maintenance

See Section C.2.11.2.

### C.2.11.1 MINIMUM DESIGN REQUIREMENTS

Figure C.2.11.A illustrates a perforated pipe connection for a typical single family residence. Impervious areas larger than 10,000 square feet and nonnative pervious areas larger than 35,000 square feet may require larger pipe to adequately convey flows and should be designed by a **civil engineer**. Perforated pipe connections must be installed according to the following requirements:

1. Where possible, the perforated pipe connection must be **placed in native soil** to maximize infiltration of water, and must not be located under impervious surfaces, except as a last resort.
2. The **gravel filled trench** must be at least 10-feet in length for every 5,000 square feet of impervious surface or 35,000 square feet of nonnative pervious surface from which runoff is conveyed.
3. The perforated portion of the system may not be placed in a critical area **buffer** or on **slopes** steeper than 25%. Any proposed placement of the perforated portion on slopes steeper than 15% or within 50 feet of a **steep slope hazard area** or **landslide hazard** must be approved by a **geotechnical engineer** or **engineering geologist** unless otherwise approved by CED.
4. For **sites** with **septic systems**, the perforated portion of the system must be down slope of the drainfield primary and reserve areas. CED review staff can waive this requirement if **site** topography clearly prohibits subsurface flows from intersecting the drainfield.
5. The perforated pipe connection must not create **flooding or erosion impacts** as determined by CED. If the system discharges toward or is near a **landslide hazard, erosion hazard area, steep slope hazard area**, or a slope steeper than 15%, CED may require evaluation and approval of the proposal by a **geotechnical engineer** or **engineering geologist**.
6. A minimum of a 5 foot setback is required between any part of the perforated pipe trench and any property line.

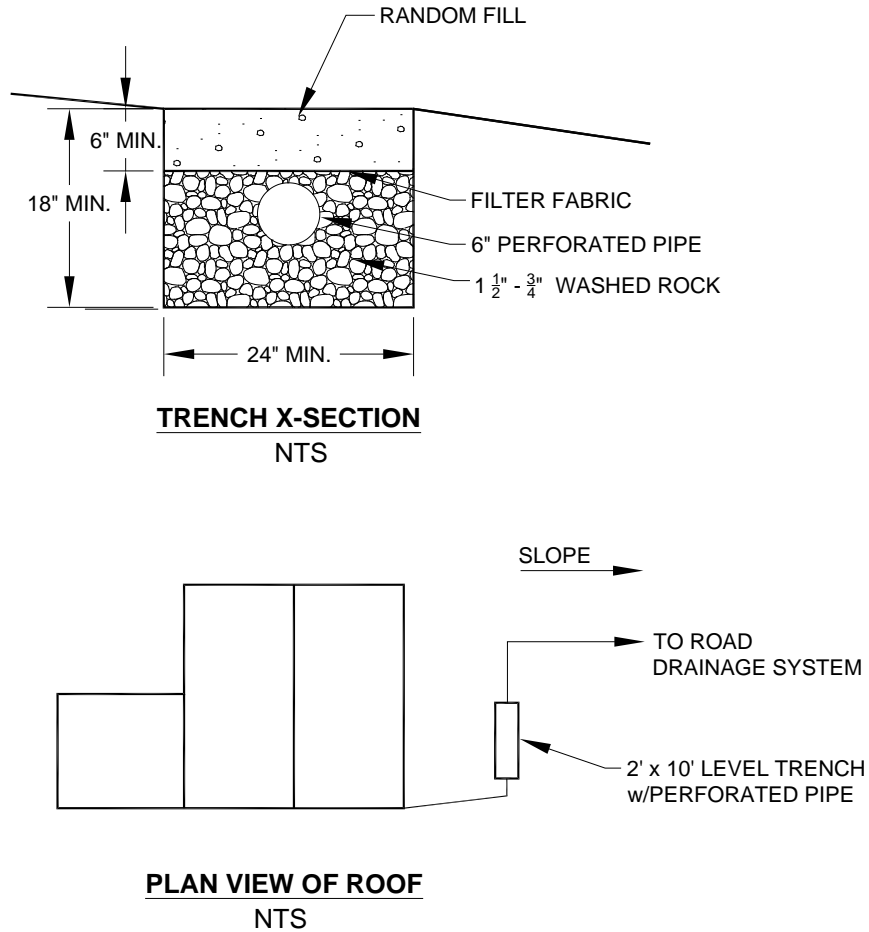
### C.2.11.2 MAINTENANCE INSTRUCTIONS

If the perforated pipe connection on-site BMP is required for a project, maintenance and operation instructions must be recorded as an attachment to the required **declaration of covenant and grant of easement** per Requirement 3 of Section C.1.3.4. The intent of these instructions is to explain to future property owners, the purpose of the BMP and how it must be maintained and operated. These instructions are intended to be a minimum; CED may require additional instructions based on site-specific conditions.

Future updates to the instructions will be posted on City of Renton's *Surface Water Design Manual* website.

A reproducible copy of the instructions, prepared for inclusion with the declaration of covenant, is located in Reference Section 8-M.

**FIGURE C.2.11.A SCHEMATIC REPRESENTATION OF A PERFORATED PIPE CONNECTION FOR A SINGLE FAMILY RESIDENCE**



## C.2.12 RAIN GARDENS

Rain gardens are an on-site BMP that can provide effective removal of many stormwater pollutants, and provide reductions in stormwater runoff quantity and surface runoff flow rates. Rain gardens are non-engineered, shallow, landscaped depressions with compost amended soils and adapted plants. The depression ponds and temporarily stores stormwater runoff from adjacent areas. A portion of the influent stormwater passes through the amended soil profile and into the native soil beneath. Stormwater that exceeds the storage capacity is designed to overflow to an adjacent drainage system.

### Applicable Surfaces

Rain gardens are an on-site BMP option for projects that have to comply with Core Requirement #9, but not Core Requirements #3 or #8. Rain gardens shall have a maximum contributing area of 5,000 square feet.

### Infeasibility Criteria

Infeasibility criteria for rain gardens are the same as for bioretention. Refer to Bioretention infeasibility criteria in Section C.2.6.

Rain gardens constructed with imported compost materials should not be used within one-quarter mile of phosphorus-sensitive waterbodies. Preliminary monitoring indicates that new rain gardens can add phosphorus to stormwater.

### C.2.12.1 MINIMUM DESIGN REQUIREMENTS

1. Refer to the *Rain Garden Handbook for Western Washington* (2013) for rain garden specifications and construction guidance.
2. For amending the native soil within the rain garden, compost is recommended that meets the compost specification for bioretention (see Section C.2.6). Compost that includes biosolids or manures shall not be used.
3. Rain gardens must have a horizontally projected surface area below the overflow which is at least 5% of the area draining to it. If lawn/landscape area will also be draining to the rain garden, it is recommended that the rain garden's horizontally projected surface area below the overflow be increased by 2% of the lawn/landscape area.
4. The City does not allow the use of underdrains for rain gardens.

### C.2.12.2 MAINTENANCE INSTRUCTIONS

Please refer to the *Rain Garden Handbook for Western Washington* (2013) for tips on mulching, watering, weeding, pruning, and soil management. The "Western Washington Low Impact Development (LID) Operation and Maintenance (O&M) Guidance Document" may be consulted for more detailed guidance.

If a rain garden on-site BMP is proposed for a project, maintenance and operation instructions must be recorded as an attachment to the required **declaration of covenant and grant of easement** per Requirement 3 of Section C.1.3.4. The intent of these instructions is to explain to future property owners, the purpose of the BMP and how it must be maintained and operated. These instructions are intended to be a minimum; CED may require additional instructions based on site-specific conditions. Future updates to the instructions will be posted on the City of Renton's *Surface Water Design Manual* website.

A reproducible copy of the instructions, prepared for inclusion with the declaration of covenant, is located in Reference Section 8-M.

### C.2.12.3 CONSTRUCTION SEQUENCING

There are many potential applications and site scenarios where rain gardens can be applied. The following techniques highlight the most broadly applicable techniques to be used to protect rain gardens during construction. Refer to Appendix D for general site protection measures and Appendix D, Section D.2.1.10 for protection measures specific to existing and proposed on-site BMPs. In addition to those techniques, the following techniques apply specifically for protection of rain gardens during construction:

- Prior to construction:
  - The rain garden shall be clearly identified (e.g., using flagging or high visibility fencing) and protected prior to construction to prevent compaction of underlying soils by vehicle traffic.
  - The Construction SWPPP sheets must outline construction sequencing that will protect the rain garden during construction.
  - Stabilize upslope construction areas (e.g., using silt fences, berms, mulch, or other Construction SWPPP BMPs) and minimize overland flow distances.
- Excavation:
  - Excavation of rain gardens shall be performed by machinery operating adjacent to the BMP. No heavy equipment with narrow tracks, narrow tires, or large lugged high pressure tires shall be allowed on the rain garden footprint.
  - If machinery must operate in the rain garden for excavation, use lightweight, low ground-contact pressure equipment and rip the base at completion to scarify soil to a minimum of 12 inches.
  - Where feasible, excavate rain garden areas to final grade only after all disturbed areas in the up-gradient project drainage area have been permanently stabilized. (If rain gardens must be excavated before permanent site stabilization, initial excavation must be conducted to no less than 6 inches of the final elevation of the facility floor.)
  - Excavation of rain garden areas shall not be allowed during wet or saturated conditions.
  - The use of draglines and trackhoes should be considered for constructing rain gardens.
  - The sidewalls and bottom of a rain garden excavation must be raked or scarified to a minimum depth of 3 inches after final excavation to restore infiltration rates.
- Sediment control:
  - Rain gardens shall not be used as a sediment control facility, and all drainage shall be directed away from the rain garden after initial rough grading.
  - Direct construction site flow away from the rain garden using applicable Construction SWPPP BMPs (e.g., temporary diversion swales).
- Protect rain gardens from compaction during construction
  - Check for compaction prior to planting. If compaction occurs, aerate the rain garden soil and then proceed to plant.

### C.2.12.4 EXAMPLE SIZING CALCULATION

Runoff Source: 20-foot by 20-foot driveway

Rain Garden Surface Area (below the overflow):  $0.05 \times (20 \text{ feet} \times 20 \text{ feet}) = 20 \text{ square feet}$



## C.2.13 SOIL AMENDMENT

Naturally occurring (undisturbed) soil and vegetation provide important stormwater functions including: water infiltration; nutrient, sediment, and pollutant adsorption; sediment and pollutant biofiltration; water interflow storage and transmission; and pollutant decomposition.

These functions are largely lost when development strips away native soil and vegetation and replaces it with minimal topsoil and sod. Not only are these important stormwater functions lost, but such landscapes themselves become pollution generating pervious surfaces due to increased use of pesticides, fertilizers and other landscaping and household/industrial chemicals, the concentration of pet wastes, and pollutants that accompany roadside litter.

Establishing soil quality and depth regains greater stormwater functions in the post development landscape, provides increased treatment of pollutants and sediments that result from development and habitation, and minimizes the need for some landscaping chemicals, thus reducing pollution through prevention.

### Applicable Surfaces

Establishing a minimum soil quality and depth through soil amendment is not the same as preservation of naturally occurring soil and vegetation. However, establishing a minimum soil quality and depth will provide improved on-site management of stormwater flow and water quality.

Soil organic matter can be attained through numerous materials such as compost, composted woody material, biosolids, and forest product residuals. It is important that the materials used to meet the soil quality and depth BMP be appropriate and beneficial to the plant cover to be established. Likewise, it is important that imported topsoils improve soil conditions and do not have an excessive percent of clay fines.

### Infeasibility Criteria

Soil amendment can be considered infeasible on till soil slopes greater than 33 percent.

### C.2.13.1 MINIMUM DESIGN REQUIREMENTS

- Soil retention. Retain, in an undisturbed state, the duff layer and native topsoil to the maximum extent practicable. In any areas requiring grading remove and stockpile the duff layer and topsoil on site in a designated, controlled area, not adjacent to public resources and critical areas, to be reapplied to other portions of the site where feasible.
- Soil quality. All areas subject to clearing and grading that have not been covered by impervious surface, incorporated into a drainage facility or engineered as structural fill or slope shall, at project completion, demonstrate the following:
  1. A topsoil layer with a minimum organic matter content of 10% dry weight in beds, and 5% organic matter content in turf areas, and a pH from 6.0 to 8.0 or matching the pH of the undisturbed soil. The topsoil layer shall have a minimum depth of eight inches except where tree roots limit the depth of incorporation of amendments needed to meet the criteria. Subsoils below the topsoil layer should be scarified at least 4 inches with some incorporation of the upper material to avoid stratified layers, where feasible.
  2. Mulch planting beds with 2 inches of organic material
  3. Use compost and other materials that meet these organic content requirements:
    - a) The organic content for “pre-approved” amendment rates can be met only using compost meeting the compost specification for Bioretention (Refer to Section C.2.6) with the exception that the compost may have up to 35% biosolids or manure. The compost must also have an organic matter content of 40% to 65%, and a carbon to nitrogen ratio below 25:1. The

carbon to nitrogen ratio may be as high as 35:1 for plantings composed entirely of plants native to the Puget Sound Lowlands region.

- b) Calculated amendment rates may be met through use of composted material meeting “a)” above; or other organic materials amended to meet the carbon to nitrogen ratio requirements, and not exceeding the limits identified in Table 220-B, Testing Parameters, in WAC 173-350-220.
4. The resulting soil should be conducive to the type of vegetation to be established.
- Implementation Options: The soil quality design guidelines listed above can be met by using one of the methods listed below:
    1. Leave undisturbed native vegetation and soil, and protect from compaction during construction.
    2. Amend existing site topsoil or subsoil either at default “pre-approved” rates, or at custom calculated rates based on tests of the soil and amendment.
    3. Stockpile existing topsoil during grading, and replace it prior to planting.
    4. Stockpiled topsoil must also be amended if needed to meet the organic matter or depth requirements, either at a default “pre-approved” rate or at a custom calculated rate.
    5. Import topsoil mix of sufficient organic content and depth to meet the requirements.

More than one method may be used on different portions of the same site. Soil that already meets the depth and organic matter quality standards, and is not compacted does not need to be amended.

### **Runoff Model Representation**

- Areas meeting the design guidelines shall be entered into approved runoff models as “Pasture” rather than “Lawn.”
- Flow reduction credits shall be taken in runoff modeling when Soil Amendment BMP is used as part of a dispersion design under the conditions described in:
  - Full Dispersion (for public road projects)
  - Limited Infiltration
  - Basic Dispersion

### **C.2.13.2 PLANNING AND PERMITTING**

A site specific Soil Management Plan (SMP) must be approved as part of the clearing and grading or construction permit application.

The Soil Management Plan (SMP) includes:

- A scale-drawing (11" X 17" or larger) identifying area where native soil and vegetation will be retained undisturbed, and which soil treatments will applied in landscape areas.
- A completed SMP form identifying treatments and products to be used to meet the soil depth and organic content requirements for each area.
- Computations of compost or topsoil volumes to be imported (and/or site soil to be stockpiled) to meet “pre-approved” amendment rates; or calculations by a qualified professional to meet organic content requirements if using custom calculated rates. Qualified professionals include certified Agronomists, Soil Scientists or Crop Advisors; and licensed Landscape Architects, Civil Engineers or Geologists.
- Copies of laboratory analyses for compost and topsoil products to be used, documenting organic matter contents and carbon to nitrogen ratios.

### C.2.13.3 INSPECTION/VERIFICATION PROCEDURES

Inspection and verification should be performed by appropriate jurisdiction inspectors. Some verification may be made by supervising Landscape Architects or Civil Engineers, who submit signed certification that the approved SMP had been implemented.

The following is an outline of a preferred inspection schedule and tasks:

Depending on local resources and procedures, the inspection tasks may be consolidated into fewer visits.

#### 1. Pre-Grading Inspection

- Verify delineation and fencing off of native soils and vegetation to be left undisturbed, per the SMP.
- Review the SMP with the general contractor to ensure that topsoil stockpiling and other specified measures are incorporated into the work plan.

#### 2. Grading Progress Inspection

- Verify that proper erosion control methods are being implemented.
- Verify that excavation and stockpiling of native soils follows the SMP.
- Verify that subgrades are consistent with the SMP.

#### 3. Post-Construction Inspection

Preferably prior to planting, so that omissions can easily be corrected:

- Verify that compost, mulch, topsoil and amendment delivery tickets match volumes, types and sources approved in the SMP. If materials other than those approved in the SMP were delivered, submissions by the supplier should verify that they are equivalent to approved products.
- Check soil for compaction, scarification and amendment incorporation by digging at least one 12-inch deep test hole per acre for turf and at least one per acre for planting beds. Test holes must be excavated using only a garden spade driven solely by inspector's weight.
- Test 10 locations per landscaped acre (10 locations minimum) for compaction, using a simple "rod penetrometer" (a 4 foot long 3/8th inch diameter stainless steel rod, with and a 30 degree bevel cut into the side at that goes in 1/8 inch at the tip). Rod must penetrate to 12" depth driven solely by inspector's weight.
- Verify placement of two inches of organic mulch material on all planting beds.

#### **Secondary Verification For Failing Sites:**

If inspector believes the installation does not meet the approved permit conditions, additional testing may be ordered to determine whether remediation steps are required prior to final occupancy and payment. An independent consultant (Certified Soil Scientist, Crop Advisor or Agronomist; or Licensed Landscape Architect, Civil Engineer or Geologist) should conduct the following additional sampling and analysis:

- Organic matter content should be verified by an independent soil testing service, using the Loss On Ignition method.
- If necessary, the percentage of fine particles (less than #200 mesh) should be confirmed by a certified Soil Laboratory using a wet sieve test.
- At present, an analytical method for verifying scarification has not been identified. Verification may be a matter of professional opinion.

### C.2.13.4 MAINTENANCE INSTRUCTIONS

If the soil amendment on-site BMP is proposed for a project, maintenance and operation instructions must be recorded as an attachment to the required **declaration of covenant and grant of easement** per Requirement 3 of Section C.1.3.4. The intent of these instructions is to explain to future property owners,

the purpose of the BMP and how it must be maintained and operated. These instructions are intended to be a minimum; CED may require additional instructions based on site-specific conditions. Future updates to the instructions will be posted on City of Renton's *Surface Water Design Manual* website.

A reproducible copy of the instructions, prepared for inclusion with the declaration of covenant, is located in Reference Section 8-M.

## **C.2.14 TREE RETENTION CREDIT**

Trees provide flow control benefits via interception, transpiration, and increased infiltration. Additional environmental benefits include improved air quality, carbon sequestration, reduced heat island effect, pollutant removal, and habitat preservation or formation. When implemented in accordance with the criteria outlined below, retained trees can receive credits toward meeting on-site BMP requirements. The degree of flow control benefits provided by a tree depends on the tree type (i.e., evergreen or deciduous), canopy area, and whether or not the tree canopy overhangs impervious surfaces.

### **C.2.14.1 MINIMUM DESIGN REQUIREMENTS**

1. Setbacks of proposed infrastructure from existing trees are critical considerations. Tree protection requirements limit grading and other disturbances in proximity to the tree. Existing tree species and location must be clearly shown on submittal drawings. Trees must be viable for long-term retention (i.e., in good health and compatible with proposed construction).
2. Tree size: To receive the tree retention credit, retained trees shall have a minimum 6 inches diameter at breast height (DBH). DBH is defined as the outside bark diameter at 4.5 feet above the ground on the uphill side of a tree.
3. The retained tree canopy area shall be measured as the area within the tree drip line. A drip line is the line encircling the base of a tree, which is delineated by a vertical line extending from the outer limit of a tree's branch tips down to the ground. If trees are clustered, overlapping canopies are not double counted.
4. Tree location: Tree retention credit depends upon proximity to ground level impervious or other hard surfaces. To receive a tree retention credit, the existing tree must be on the development site and within 20 feet of new and/or replaced ground level impervious surfaces (e.g., driveway or patio) on the development site. Distance from impervious surfaces is measured from the tree trunk center.
5. An arborist report may be required if impervious surface is proposed within the critical root zone of the existing tree. The critical root zone is defined as the line encircling the base of the tree with half the diameter of the dripline. If the arborist report concludes that impervious surface should not be placed within 20 feet of the tree and canopy overlap with impervious surface is still anticipated given a longer setback, the higher tree flow control credit may be approved.
6. Protection during construction: The existing tree roots, trunk, and canopy shall be fenced and protected during construction activities.
7. Retention and protection: Trees shall be retained, maintained and protected on the site after construction and for the life of the development or until any approved redevelopment occurs in the future. Trees that are removed or die shall be replaced with like species during the next planting season (typically in fall). Trees shall be pruned according to industry standards (ANSI A 300 standards).

### C.2.14.2 EXAMPLE SIZING CALCULATION

Flow control credits for retained trees are provided in Table C.2.14.A by tree type. These credits can be applied to reduce impervious area requiring on-site BMPs. Credits are given as a percentage of the existing tree canopy area. The minimum credit for existing trees ranges from 50 to 100 square feet.

TABLE C.2.14.A TREE RETENTION CREDIT	
Tree Type	Credit
Evergreen	20% of canopy area (minimum of 100 sq.ft./tree)
Deciduous	10% of canopy area (minimum of 50 sq. ft./tree)

Impervious/Hard Surface Area Mitigated =

$$(\Sigma \text{ Evergreen Canopy Area} \times 0.2) + (\Sigma \text{ Deciduous Canopy Area} \times 0.1)$$

Tree credits are not applicable to trees in native vegetation areas used for flow dispersion or other impervious surface credits. Credits are also not applicable to trees in planters. The total tree retention credit shall not exceed 25 percent of impervious surface requiring mitigation.

### C.2.14.3 MAINTENANCE INSTRUCTIONS

If tree retention is proposed for a project, maintenance and operation instructions must be recorded as an attachment to the required declaration of covenant and grant of easement per Requirement 3 of Section C.1.3.4. The intent of these instructions is to explain to future property owners, the purpose of the BMP and how it must be maintained and operated. These instructions are intended to be a minimum; CED may require additional instructions based on site-specific conditions. Future updates to the instructions will be posted on City of Renton's *Surface Water Design Manual* website.

A reproducible copy of the instructions, prepared for inclusion with the declaration of covenant, is located in Reference Section 8-M.

## C.2.15 VEGETATED ROOFS

*Vegetated roofs* (also called green roofs) consist of pervious growing medium, plants and a moisture barrier. There are **currently several different proprietary systems available** that use different media types and thickness. Figure C.2.15.A and Figure C.2.15.B show a schematic representation of a typical vegetated roof and a vegetated roof tray system. Actual design specifications should be provided by the manufacturer and/or installer. The benefits of this BMP are reduced runoff peaks and volumes resulting from the increased water storage provided by the soil and the increased evapotranspiration provided by the vegetation.

#### Applicable Surfaces

Subject to the minimum design requirements and specifications in this section, vegetated roof systems may be applied to any roof area.

#### Design Considerations

The roof must be designed to carry the added load of a vegetated roof system; therefore design by a structural engineer may be needed.

#### Operation and Maintenance

See Section C.2.15.3.

### C.2.15.1 MINIMUM DESIGN REQUIREMENTS

All of the following requirements must be met in order for a vegetated roof to be applicable to a *target impervious surface*.

1. A 60- to 80-mil reinforced PVC **membrane** must be placed on the roof surface to provide waterproofing and protect against root penetration, or if the roof is asphalt-based, the membrane must be high-density polyethylene (HDPE).
2. If the roof surface is flat or has a pitch flatter than 1 in 12, an **underdrain system** or layer must be provided to drain excess water away from the root zone of the soil layer.
3. The growing **medium** must have the capacity to store a minimum depth of 3 inches of water for full BMP credit, partial credit will be given for reduced storage.
4. The **soil layer** must be adequately contained on the roof with sidewalks or other appropriate means.
5. The **composition** of the soil layer must be confirmed by a *civil engineer* as meeting the desired soil storage and the maximum allowable loading specified by the structural engineer.
6. Grass or other **vegetative cover** suitable for shallow soils and harsh roof conditions (e.g., various species of *sedum*, *sempervivum*, *creeping thyme*, *allium*, *phloxes*, *annternaria*, *armeria*, and *aubrieta*) shall be used.
7. Vegetated roofs must not be subject to any use that would significantly **compact** the soil.
8. Provision must be made for **supplemental irrigation** during the first dry season to ensure plant survival, replacing dead plants, and removal of weeds and leaves, clearing drain inlets.

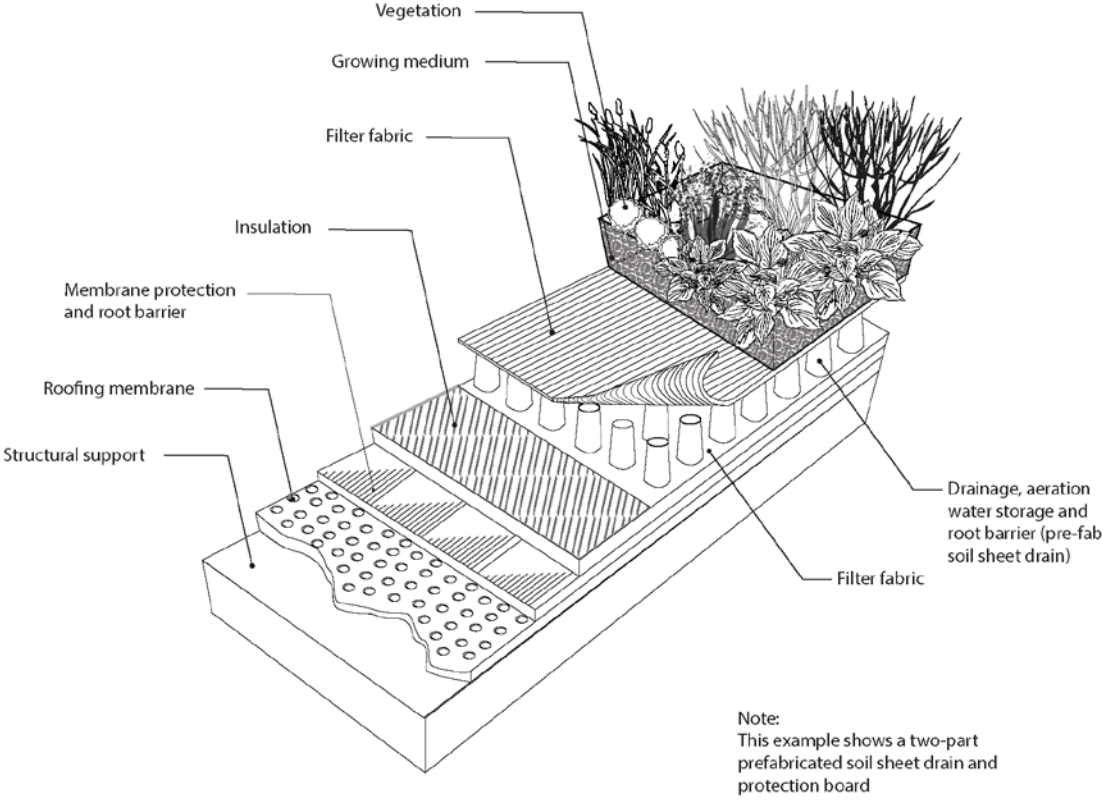
### C.2.15.2 EXAMPLE SIZING CALCULATION

*Target impervious surface* area: 1,000 square feet.

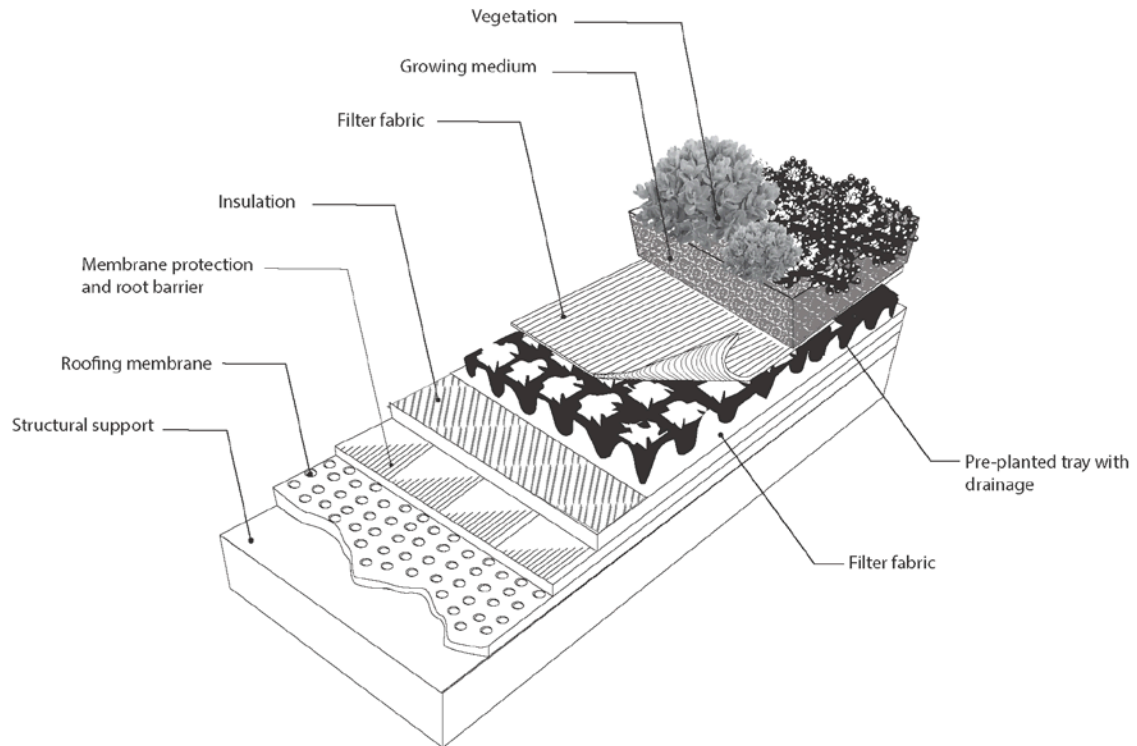
Proposed vegetated roof system provides 1.5 inches storage.

Required vegetated roof area =  $(1000 \times 3)/1.5 = 2,000$  square feet.

**FIGURE C.2.15. SCHEMATIC REPRESENTATION OF A TYPICAL VEGETATED ROOF**



**FIGURE C.2.15.B SCHEMATIC REPRESENTATION OF A VEGETATED ROOF TRAY SYSTEM**





### **C.2.15.3 MAINTENANCE INSTRUCTIONS FOR VEGETATED ROOFS**

If the vegetated roof on-site BMP is proposed for a project, maintenance and operation instructions, plus any provided by the manufacturer or installer, must be recorded as an attachment to the required declaration of covenant and grant of easement per Requirement 3 of Section C.1.3.4. The intent of these instructions is to explain to future property owners, the purpose of the BMP and how it must be maintained and operated. These instructions are intended to be a minimum; CED may require additional instructions based on site-specific conditions or manufacturer's recommendations. Future updates to the instructions will be posted on City of Renton's *Surface Water Design Manual* website.

A reproducible copy of the instructions, prepared for inclusion with the declaration of covenant, is located in Reference Section 8-M.

*(This page intentionally left blank.)*

## C.3 CONSTRUCTION STORMWATER POLLUTION PREVENTION (CSWPP) MEASURES

This section presents the specifications for the kinds of the ESC and SWPPS measures applicable to **Simplified project sites** as allowed by the City's *Construction Stormwater Pollution Prevention (CSWPP) Standards* (Appendix D of the *City of Renton Surface Water Design Manual*). For projects in Simplified Drainage Review, these ESC measures may be used if no more than 1 acre of soil will be disturbed by the project. Other ESC measures may be allowed or required by CED if these are inappropriate for the project or fail to contain sediment on the *project site*. A description of other measures and a more detailed description of those included here can be found in the *CSWPP Standards*. Projects that **disturb 1 acre or more** of soil will require an ESC plan developed by a *civil engineer* under a Targeted Drainage Review.

### CSWPP: Intent of ESC and SWPPS Measures

The intent of ESC measures is to prevent, to the maximum extent practicable, the transport of sediment and other construction-related pollutants to streams, wetlands, lakes, drainage systems, and adjacent properties during and after construction. Erosion of disturbed areas on construction sites can result in excessive sediment transport to adjacent properties and to surface waters. This sediment can result in major adverse impacts, such as flooding due to obstructed drainage ways, smothering of salmonid spawning beds, creation of algal blooms in lakes, and violation of State water quality standards for turbidity. In addition to sediment, SWPPS measures address other construction-related pollutants that can be generated by uncovered waste materials, stockpiles, and demolition debris; de-watering; maintenance and operation of heavy equipment; chemical spills; oil spills; placement of concrete; and application of fertilizers and pesticides. Such pollutants can be toxic to both fish and humans and may violate State water quality standards and the prohibited discharges section of RMC 4-6-030. Stabilization of the *site* after construction and prior to the wet season is also important to preventing these impacts.

### Organization of Section C.3

This section is organized as follows:

- “Stabilized Construction Entrance,” Section C.3.1
- “Mulching,” Section C.3.2
- “Nets and Blankets,” Section C.3.3
- “Plastic Covering,” Section C.3.4
- “Mark Clearing Limits/Minimize Clearing,” Section C.3.5
- “Silt Fence,” Section C.3.6
- “Vegetated Strip,” Section C.3.7
- “Triangular Silt Dike,” Section C.3.8
- “Storm Drain Inlet Protection,” Section C.3.9
- “Seeding,” Section C.3.10
- “Sodding,” Section C.3.11
- “Interceptor Dikes and Swales,” Section C.3.12
- “Ditches,” Section C.3.13
- “Pipe Slope Drain,” Section C.3.14
- “Dewatering Control,” Section C.3.15
- “Control of Other Pollutants (SWPPS),” Section C.3.16

The above measures must be implemented as needed to prevent the discharge of sediment-laden water and other pollutants from the construction site. Proposed measures must be shown on the **Small Site CSWPP plan** required to be submitted with the Simplified Drainage Plans. Site-specific conditions during

construction may require additional measures as deemed necessary by CED. As noted in Section C.3 above, other ESC and/or SWPPS measures found in Appendix D of the *SWDM* may be needed or may be more appropriate for the *project site* as determined by CED.

### C.3.1 STABILIZED CONSTRUCTION ENTRANCE

#### Purpose

Construction entrances are stabilized to reduce the amount of sediment transported onto paved roads by motor vehicles or runoff by constructing a stabilized pad of quarry spalls at the entrances to construction sites.

#### Application

Construction entrances shall be stabilized wherever traffic will be leaving a construction site and traveling on paved roads or other paved areas within 1,000 feet of the *site*. Access and exits shall be limited to one route if possible, or two for linear projects such as roadway where more than one access/exit is necessary for maneuvering large equipment.

For residential construction provide stabilized construction entrances for each residence in addition to the main subdivision entrance. Stabilized surfaces shall be of sufficient length/width to provide vehicle access/parking, based on lot size/configuration.

#### Design and Installation Specifications

1. See schematic representation in Figure C.3.1.A.
2. A separation geotextile shall be placed under the spalls to prevent fine sediment from pumping up into the rock pad. The geotextile shall meet the following standards:

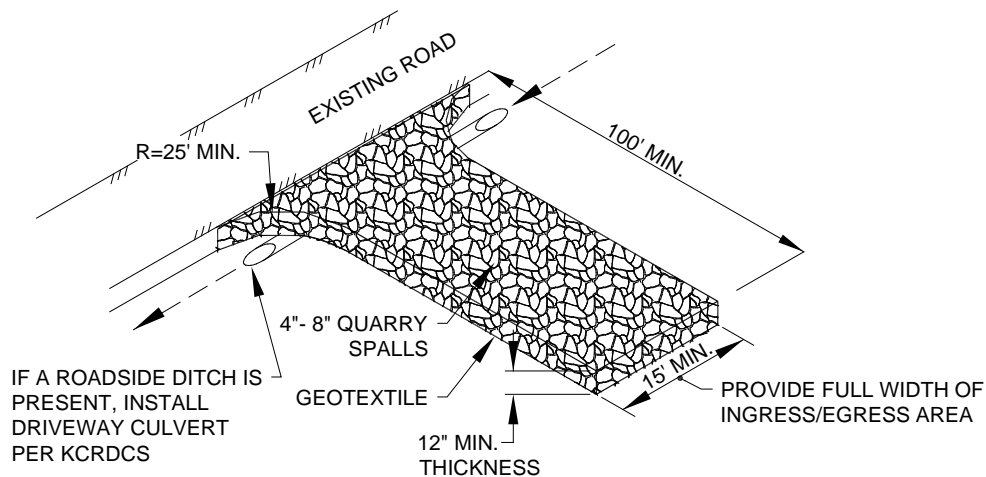
Grab Tensile Strength (ASTM D4632)	200 lbs min.
Grab Tensile Elongation (ASTM D4632)	30% max.(woven)
Puncture Strength (ASTM D6241)	495 lbs min.
AOS (ASTM D4751)	20–45 (U.S. standard sieve size)

3. Do not use crushed concrete, cement, or calcium chloride for construction entrance stabilization because these products raise pH levels in stormwater and concrete discharge to surface waters of the State is prohibited.
4. Hog fuel (wood based mulch) may be substituted for or combined with quarry spalls in areas that will not be used for permanent roads. The effectiveness of hog fuel is highly variable, but it has been used successfully on many construction sites. It generally requires more maintenance than quarry spalls. Hog fuel is not recommended for entrance stabilization in urban areas. The inspector may at any time require the use of quarry spalls if the hog fuel is not preventing sediment from being tracked onto pavement or if the hog fuel is being carried onto pavement. Hog fuel is prohibited in permanent roadbeds because organics in the subgrade soils cause difficulties with compaction.
5. Fencing shall be installed as necessary to restrict traffic to the construction entrance.
6. Whenever possible, the entrance shall be constructed on a firm, compacted subgrade. This can substantially increase the effectiveness of the pad and reduce the need for maintenance.

#### Maintenance

1. Quarry spalls (or hog fuel) shall be added if the pad is no longer in accordance with the specifications.
2. If the entrance is not preventing sediment from being tracked onto pavement, then alternative measures to keep the streets free of sediment shall be used. This may include street sweeping, an

- increase in the dimensions of the entrance, or the installation of a wheel wash. If washing is used, it shall be done on an area covered with crushed rock, and wash water shall drain to a sediment trap or pond.
3. Any sediment that is tracked onto pavement shall be removed immediately by sweeping. The sediment collected by sweeping shall be removed or stabilized onsite. The pavement shall not be cleaned by washing down the street, except when sweeping is ineffective and there is a threat to public safety. If it is necessary to wash the streets, a small sump must be constructed. The sediment would then be washed into the sump where it can be controlled. Wash water must be pumped back onto the *site* and cannot discharge to systems tributary to surface waters.
  4. Any quarry spalls that are loosened from the pad and end up on the roadway shall be removed immediately.
  5. If vehicles are entering or exiting the site at points other than the construction entrance(s), fencing shall be installed to control traffic.

**FIGURE C.3.1.A SCHEMATIC REPRESENTATION OF A STABILIZED CONSTRUCTION ENTRANCE****NOTES:**

- PER KING COUNTY ROAD DESIGN AND CONSTRUCTION STANDARDS (KCRDCS), DRIVEWAYS SHALL BE PAVED TO EDGE OF R-O-W PRIOR TO INSTALLATION OF THE CONSTRUCTION ENTRANCE TO AVOID DAMAGING OF THE ROADWAY.
- IT IS RECOMMENDED THAT THE ENTRANCE BE CROWNED SO THAT RUNOFF DRAINS OFF THE PAD.

## C.3.2 MULCHING

### Purpose

The purpose of mulching soils is to provide immediate temporary protection from erosion. Mulch also enhances plant establishment by conserving moisture, holding fertilizer, seed, and topsoil in place, and moderating soil temperatures. There is an enormous variety of mulches that may be used. Only the most common types are discussed in this section.

### Conditions of Use

As a temporary cover measure, mulch should be used:

1. On disturbed areas that require cover measures for less than 30 days
2. As a cover for seed during the wet season and during the hot summer months
3. During the wet season on slopes steeper than 3H:1V with more than 10 feet of vertical relief.

### Design and Installation Specifications

For mulch materials, application rates, and specifications, see Table C.3.2.A.

*Note: Thicknesses may be increased for disturbed areas in or near critical areas or other areas highly susceptible to erosion.*

### Maintenance Standards

1. The thickness of the mulch cover must be maintained.
2. Any areas that experience erosion shall be re-mulched and/or protected with a net or blanket. If the erosion problem is drainage related, then the drainage problem shall be assessed and alternate drainage such as interceptor swales may be needed to fix the problem and the eroded area re-mulched.

**TABLE C.3.2.A MULCH STANDARDS AND GUIDELINES**

<b>Mulch Material</b>	<b>Quality Standards</b>	<b>Application Rates</b>	<b>Remarks</b>
Straw	Air-dried; free from undesirable seed and coarse material	2"–3" thick; 2–3 bales per 1000 sf or 2–3 tons per acre	Cost-effective protection when applied with adequate thickness. Hand-application generally requires greater thickness than blown straw. Straw should be crimped to avoid wind blow. The thickness of straw may be reduced by half when used in conjunction with seeding.
Wood Fiber Cellulose	No growth inhibiting factors	Approx. 25–30 lbs per 1,000 sf or 1,000–1,500 lbs per acre	Shall be applied with hydromulcher. Shall not be used without seed and tackifier unless the application rate is at least doubled. Some wood fiber with very long fibers can be effective at lower application rates and without seed or tackifier.
Compost	No visible water or dust during handling. Must be purchased from supplier with Solid Waste Handling Permit.	2" thick min.; approx. 100 tons per acre (approx. 800 lbs per cubic yard)	More effective control can be obtained by increasing thickness to 3". Excellent mulch for protecting final grades until landscaping because it can be directly seeded or tilled into soil as an amendment. Sources for compost are available from the King County Commission for Marketing Recyclable Materials at 206-296-4439.
Hydraulic Matrices (Bonded Fiber Matrix [BFM])	This mulch category includes hydraulic slurries composed of wood fiber, paper fiber or a combination of the two held together by a binding system. The BFM shall be a mixture of long wood fibers and various bonding agents.	Apply at rates from 3,000 lbs per acre to 4,000 lbs per acre and based on manufacturers recommendations	The BFM shall not be applied immediately before, during or immediately after rainfall so that the matrix will have an opportunity to dry for 24 hours after installation. Application rates beyond 2,500 pounds may interfere with germination and are not usually recommended for turf establishment. BFM is generally a matrix where all fiber and binders are in one bag, rather than having to mix components from various manufacturers to create a matrix. BFMs can be installed via helicopter in remote areas. They are approximately \$1,000 per acre cheaper to install.
Chipped Site Vegetation	Average size shall be several inches.	2" minimum thickness	This is a cost-effective way to dispose of debris from clearing and grubbing, and it eliminates the problems associated with burning. Generally, it should not be used on slopes above approx. 10% because of its tendency to be transported by runoff. It is not recommended within 200 feet of surface waters. If seeding is expected shortly after mulch, the decomposition of the chipped vegetation may tie up nutrients important to grass establishment.

### C.3.3 NETS AND BLANKETS

#### Purpose

Erosion control nets and blankets are intended to prevent erosion and hold seed and mulch in place on steep slopes and in channels so that vegetation can become well established. In addition, some nets and blankets can be used to permanently reinforce turf to protect drainage ways during high flows. Nets are strands of material woven into an open, but high-tensile strength net (for example, jute matting). Blankets are strands of material that are not tightly woven, but instead form a layer of interlocking fibers, typically held together by a biodegradable or photodegradable netting (for example, excelsior or straw blankets). They generally have lower tensile strength than nets, but cover the ground more completely. Coir (coconut fiber) fabric comes as both nets and blankets.

#### Conditions of Use

Erosion control nets and blankets should be used:

1. For permanent stabilization of slopes 2H:1V or greater and with more than 10 feet of vertical relief.
2. In conjunction with seed for final stabilization of a slope, not for temporary cover. However, they may be used for temporary applications as long as the product is not damaged by repeated handling. In fact, this method of slope protection is superior to plastic sheeting, which generates high-velocity runoff.
3. For drainage ditches and swales (highly recommended). The application of appropriate netting or blanket to drainage ditches and swales can protect bare soil from channelized runoff while vegetation is established. Nets and blankets also can capture a great deal of sediment due to their open, porous structure. Synthetic nets and blankets may be used to permanently stabilize channels and may provide a cost-effective, environmentally preferable alternative to riprap.

#### Design and Installation Specifications

1. See Figure C.3.3.A and Figure C.3.3.B for typical orientation and installation of nettings and blankets.

*Note: Installation is critical to the effectiveness of these products. If good ground contact is not achieved, runoff can concentrate under the product, resulting in significant erosion.*

2. With the variety of products available, it is impossible to cover all the details of appropriate use and installation. Therefore, it is critical that the design engineer thoroughly consults the **manufacturer's information** and that a site visit takes place in order to ensure that the product specified is appropriate.
3. Jute matting must be used in conjunction with mulch. Excelsior, woven straw blankets, and coir (coconut fiber) blankets may be installed without mulch. There are many other types of **erosion control nets and blankets** on the market that may be appropriate in certain circumstances. Other types of products will have to be evaluated individually. In general, most nets (e.g., jute matting) require mulch in order to prevent erosion because they have a fairly open structure. Blankets typically do not require mulch because they usually provide complete protection of the surface.
4. Purely synthetic blankets are allowed but shall only be used for long-term stabilization of waterways. The organic blankets authorized above are better for slope protection and short-term waterway protection because they retain moisture and provide organic matter to the soil, substantially improving the speed and success of re-vegetation.

#### Maintenance Standards

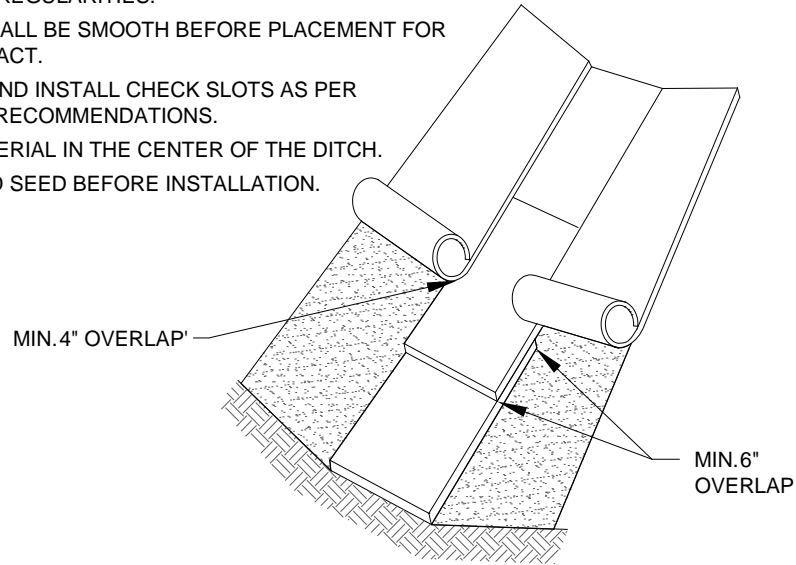
1. Good contact with the ground must be maintained, and there must not be erosion beneath the net or blanket.



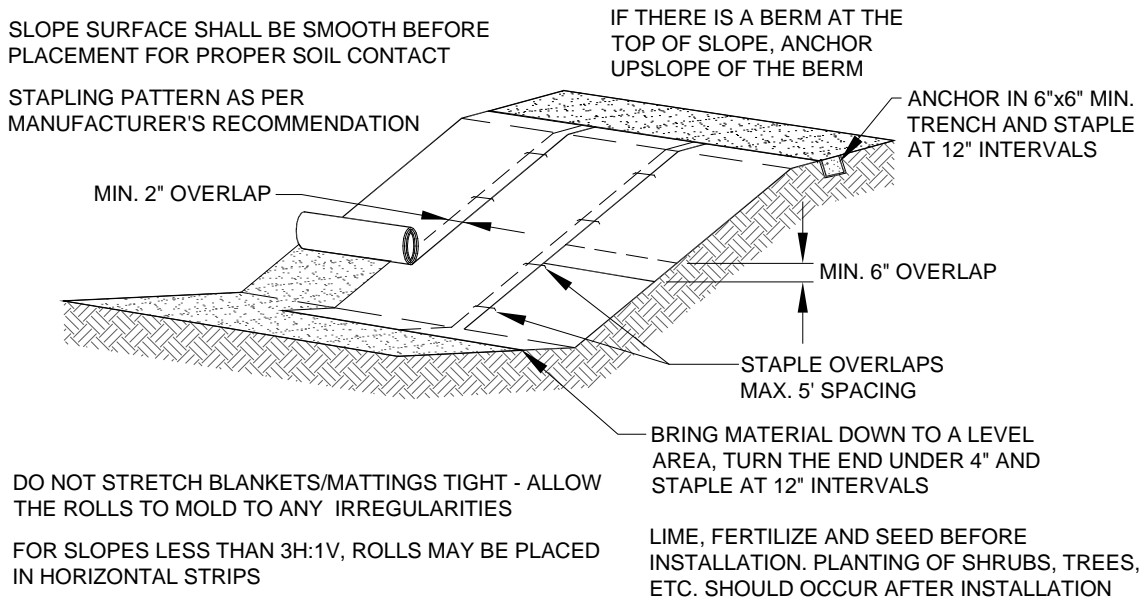
2. Any areas of the net or blanket that are damaged or not in close contact with the ground shall be repaired and stapled.
3. If erosion occurs due to poorly controlled drainage, the problem shall be fixed and the eroded area protected.

**FIGURE C.3.3.A WATERWAY INSTALLATION**

- DO NOT STRETCH BLANKETS/MATTINGS TIGHT - ALLOW THE ROLLS TO MOLD TO ANY IRREGULARITIES.
- SLOPE SURFACE SHALL BE SMOOTH BEFORE PLACEMENT FOR PROPER SOIL CONTACT.
- ANCHOR, STAPLE, AND INSTALL CHECK SLOTS AS PER MANUFACTURER'S RECOMMENDATIONS.
- AVOID JOINING MATERIAL IN THE CENTER OF THE DITCH.
- LIME, FERTILIZE AND SEED BEFORE INSTALLATION.



**FIGURE C.3.3.B SLOPE INSTALLATION**



## C.3.4 PLASTIC COVERING

### Purpose

Plastic covering provides immediate, short-term erosion protection to slopes and disturbed areas.

### Conditions of Use

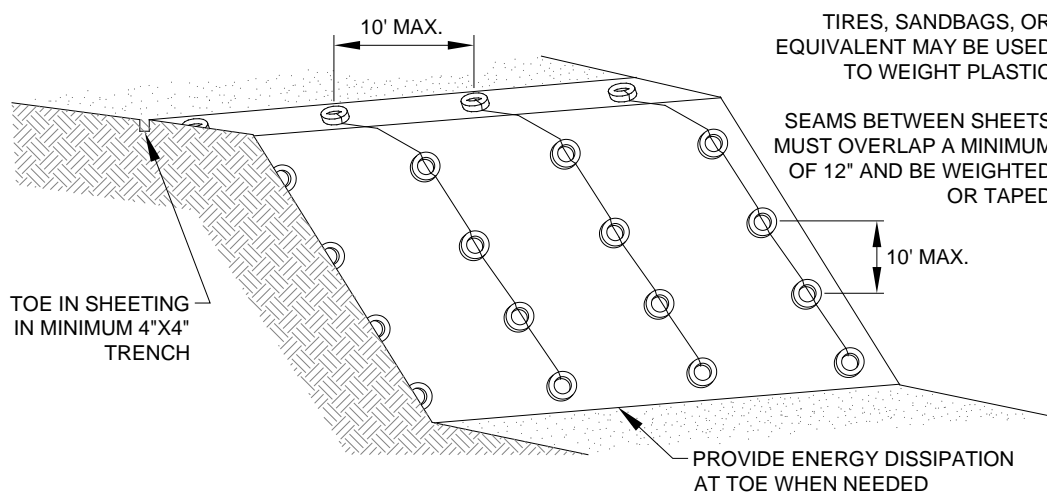
1. Plastic covering may be used on disturbed areas that require cover measures for less than 30 days.
2. Plastic is particularly useful for protecting cut and fill slopes and stockpiles. *Note: The relatively rapid breakdown of most polyethylene sheeting makes it unsuitable for long-term applications.*
3. Clear plastic sheeting may be used over newly-seeded areas to create a greenhouse effect and encourage grass growth. Clear plastic should not be used for this purpose during the summer months because the resulting high temperatures can kill the grass.
4. Due to rapid runoff caused by plastic sheeting, this method shall not be used upslope of areas that might be adversely impacted by concentrated runoff. Such areas include steep and/or unstable slopes.

*Note: There have been many problems with plastic, usually attributable to poor installation and maintenance. However, the material itself can cause problems, even when correctly installed and maintained, because it generates high-velocity runoff and breaks down quickly due to ultraviolet radiation. In addition, if the plastic is not completely removed, it can clog drainage system inlets and outlets. It is highly recommended that alternatives to plastic sheeting be used whenever possible and that its use be limited.*

### Design and Installation Specifications

1. See Figure C.3.4.A for details.
2. Plastic sheeting shall have a minimum thickness of 0.06 millimeters.
3. If erosion at the toe of a slope is likely, a gravel berm, riprap, or other suitable protection shall be installed at the toe of the slope in order to reduce the velocity of runoff.

**FIGURE C.3.4.A PLASTIC COVERING**



### Maintenance Standards for Plastic Covering

1. Torn sheets must be replaced and open seams repaired.
2. If the plastic begins to deteriorate due to ultraviolet radiation, it must be completely removed and replaced.
3. When the plastic is no longer needed, it shall be completely removed.

## C.3.5 MARK CLEARING LIMITS/MINIMIZE CLEARING

### Purpose

Minimizing clearing is the most effective method of erosion control. Undisturbed vegetation intercepts and slows rainwater. Plant roots hold soil in place, and dead vegetation on the ground acts as a mulch. Marking clearing limits around existing or proposed on-site BMP areas helps protect their infiltrative soil characteristics from construction activity.

### Applications

Clearing limits shall be marked and clearing minimized on any *site* where significant areas of undisturbed vegetation will be retained or where existing or proposed BMP/facility areas require protection from construction activities.

### Design Specifications

1. Minimizing clearing should be incorporated into the *site* design. Clearing limits must be marked on the **Small Site CSWPP plan**.
2. On the ground, clearing limits must be clearly marked with brightly colored tape or plastic or metal safety fencing. If tape is used, it should be supported by vegetation or stakes, and should be about 3 to 6 feet high and highly visible. BMP/facility areas to be protected should be marked with brightly colored silt fence to add sedimentation protection. Equipment operators should be informed of areas of vegetation that are to be left undisturbed and BMP/facility areas that are to be protected.
3. The duff layer, native top soil, and natural vegetation shall be retained in an undisturbed state to the maximum extent practicable. If it is not practicable to retain the duff layer in place, it should be stockpiled on-site, covered to prevent erosion, and replaced immediately upon completion of the ground disturbing activities.

### Maintenance

Fencing shall be inspected regularly and repaired or replaced as needed.

## C.3.6 SILT FENCE

### Purpose

Use of a silt fence reduces the transport of coarse sediment from a construction site by providing a temporary physical barrier to sediment and reducing the runoff velocities of overland flow.

### Conditions of Use

1. Silt fence may be used downslope of all disturbed areas.
2. Silt fence is not intended to treat concentrated flows, nor is it intended to treat substantial amounts of overland flow. Any concentrated flows must be conveyed through the drainage system to a sediment trap or pond.

### Design and Installation Specifications

1. See Figure C.3.6.A and Figure C.3.6.B for details.
2. The geotextile used must meet the standards listed below. A copy of the manufacturer's fabric specifications must be available onsite.

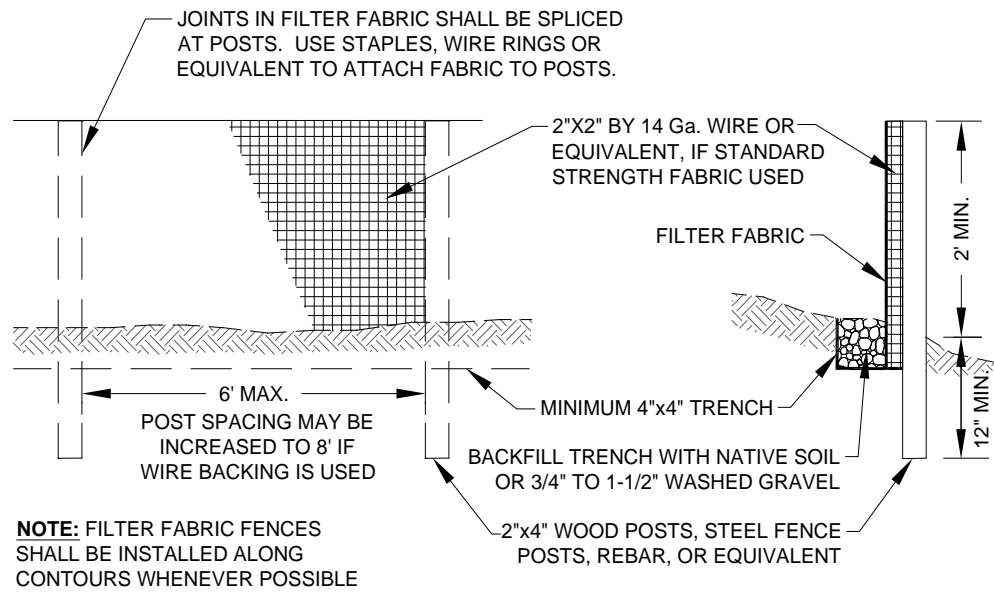
AOS (ASTM D4751)	30–100 sieve size (0.60–0.15 mm) for slit film 50–100 sieve size (0.30–0.15 mm) for other fabrics
Water Permittivity (ASTM D4491)	0.02 sec <sup>-1</sup> minimum
Grab Tensile Strength (ASTM D4632) (see Specification Note 3)	180 lbs. min. for extra strength fabric 100 lbs. min. for standard strength fabric
Grab Tensile Elongation (ASTM D4632)	30% max. (woven)
Ultraviolet Resistance (ASTM D4355)	70% min.

3. Standard strength fabric requires wire backing to increase the strength of the fence. Wire backing or closer post spacing may be required for extra strength fabric if field performance warrants a stronger fence.
4. Where the fence is installed, the slope shall be no steeper than 2H:1V.
5. If a typical silt fence (per Figure C.3.6.A) is used, the standard 4 x 4 trench may not be reduced as long as the bottom 8 inches of the silt fence is well buried and secured in a trench that stabilizes the fence and does not allow water to bypass or undermine the silt fence.

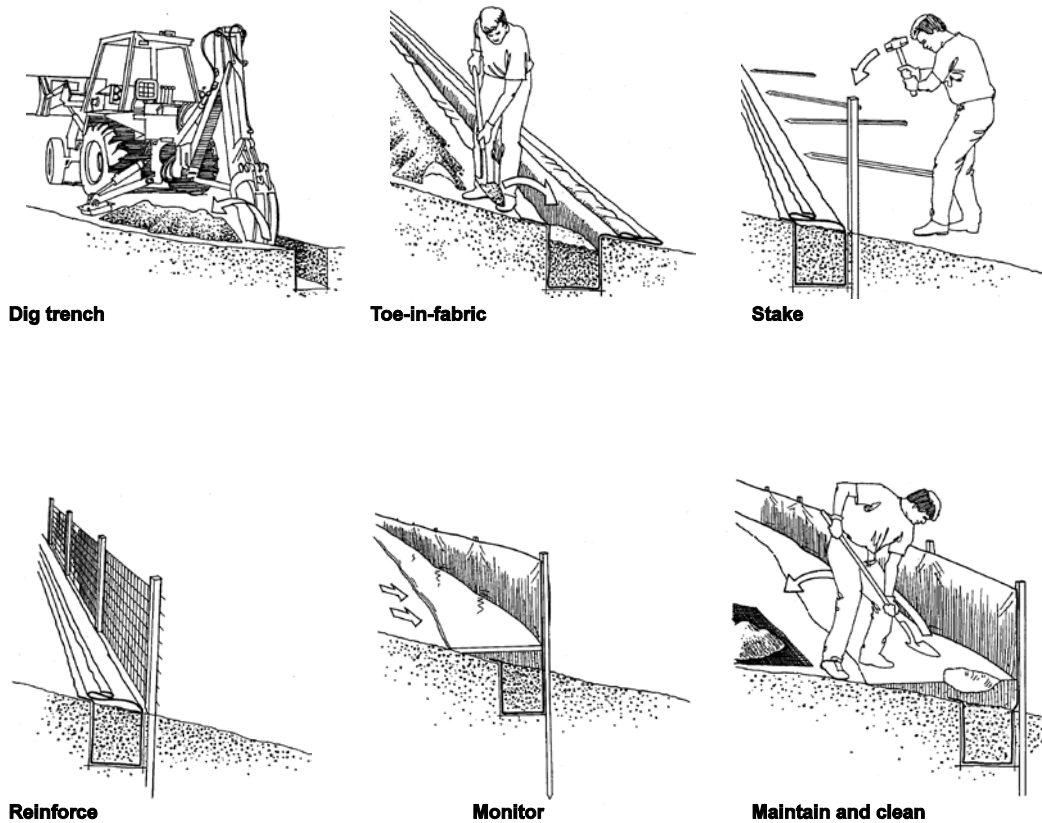
### Maintenance Standards

1. Any damage shall be repaired immediately.
2. If concentrated flows are evident uphill of the fence, they must be intercepted and conveyed to a sediment trap or pond.
3. It is important to check the uphill side of the fence for signs of the fence clogging and acting as a barrier to flow and then causing channelization of flows parallel to the fence. If this occurs, replace the fence or remove the trapped sediment.
4. Sediment must be removed when the sediment is 6 inches high.
5. If the filter fabric (geotextile) has deteriorated due to ultraviolet breakdown, it shall be replaced.

**FIGURE C.3.6.A SILT FENCE**



**FIGURE C.3.6.B SILT FENCE INSTALLATION AND MAINTENANCE**



## **C.3.7 VEGETATED STRIP**

### **Purpose**

Vegetated strips reduce the transport of coarse sediment from a construction site by providing a temporary physical barrier to sediment and reducing the runoff velocities of overland flow.

### **Conditions of Use**

1. Vegetated strips may be used downslope of all disturbed areas.
2. Vegetated strips are not intended to treat concentrated flows, nor are they intended to treat substantial amounts of overland flow. Any concentrated flows must be conveyed through the drainage system to a sediment trap or pond.

### **Design and Installation Specifications**

1. The vegetated strip shall consist of a 25-foot minimum width continuous strip of dense vegetation with a permeable topsoil. Grass-covered, landscaped areas are generally not adequate because the volume of sediment overwhelms the grass. Ideally, vegetated strips shall consist of undisturbed native growth with a well-developed soil that allows for infiltration of runoff.
2. The slope within the strip shall not exceed 4H:1V.
3. The uphill boundary of the vegetated strip shall be delineated with clearing limits as specified in Section C.3.5.

### **Maintenance Standards**

1. Any areas damaged by erosion or construction activity shall be seeded immediately and protected by mulch.
2. If more than 5 feet of the original vegetated strip width has had vegetation removed or is being eroded, sod must be installed.

If there are indications that concentrated flows are traveling across the buffer, surface water controls must be installed to reduce the flows entering the buffer, or additional perimeter protection must be installed.

## **C.3.8 TRIANGULAR SILT DIKE**

### **Purpose**

Triangular silt dikes (TSDs) may be used as check dams, for perimeter protection, for temporary soil stockpile protection, for drop inlet protection, or as a temporary interceptor dike. Silt dikes, if attached to impervious surfaces with tack or other adhesive agent may also be used as temporary wheel wash areas, or concrete washout collection areas.

### **Conditions of Use**

1. May be used for temporary check dams in ditches.
2. May be used on soil or pavement with adhesive or staples.
3. TSDs have been used to build temporary sediment ponds, diversion ditches, concrete washout facilities, curbing, water bars, level spreaders, and berms.

### Design and Installation Specifications

1. TSDs must be made of urethane foam sewn into a woven geosynthetic fabric.
2. TSDs are triangular, 10 inches to 14 inches high in the center, with a 20-inch to 28-inch base. A 2-foot apron extends beyond both sides of the triangle along its standard section of 7 feet. A sleeve at one end allows attachment of additional sections as needed
3. Install TSDs with ends curved up to prevent water from flowing around the ends
4. Attach the TSDs and their fabric flaps to the ground with wire staples. Wire staples must be No. 11 gauge wire or stronger and shall be 200 mm to 300 mm in length.
5. When multiple units are installed, the sleeve of fabric at the end of the unit shall overlap the abutting unit and be stapled.
6. TSDs must be located and installed as soon as construction will allow.
7. TSDs must be placed perpendicular to the flow of water.
8. When used as check dams, the leading edge must be secured with rocks, sandbags, or a small key slot and staples.
9. When used in grass-lined ditches and swales, the TSD check dams and accumulated sediment shall be removed when the grass has matured sufficiently to protect the ditch or swale unless the slope of the swale is greater than 4 percent. The area beneath the TSD check dams shall be seeded and mulched immediately after dam removal.

### Maintenance Standards

1. Triangular silt dikes shall be monitored for performance and sediment accumulation during and after each runoff producing rainfall event. Sediment shall be removed when it reaches one half the height of the silt dike.
2. Anticipate submergence and deposition above the triangular silt dike and erosion from high flows around the edges of the dike/dam. Immediately repair any damage or any undercutting of the dike/dam.

## C.3.9 STORM DRAIN INLET PROTECTION

### Purpose

Storm drain inlets are protected to prevent coarse sediment from entering storm drainage systems. Temporary devices around storm drains assist in improving the quality of water discharged to inlets or catch basins by ponding sediment-laden water. These devices are effective only for relatively small drainage areas.

### Conditions of Use

1. Protection shall be provided for all storm drain inlets downslope and within 500 feet of a disturbed or construction area, unless the runoff that enters the catch basin will be conveyed to a sediment pond or trap.
2. Inlet protection may be used anywhere at the applicant's discretion to protect the drainage system. This will, however, require more maintenance, and it is highly likely that the drainage system will still require some cleaning.
3. The contributing drainage area must not be larger than one acre.

## Design and Installation Specifications

1. There are many options **for protecting storm drain inlets**. Two commonly used options are filter fabric protection and catch basin inserts. *Filter fabric protection* (see Figure C.3.9.A) is filter fabric (geotextile) placed *over* the grate. This method is generally very ineffective and requires intense maintenance efforts. *Catch basin inserts* (see Figure C.3.9.B) are manufactured devices that nest inside a catch basin. This method also requires a high frequency of maintenance to be effective. Both options provide adequate protection, but filter fabric is likely to result in ponding of water above the catch basin, while the insert will not. Thus, filter fabric is only allowed where ponding will not be a traffic concern and where slope erosion will not result if the curb is overtopped by ponded water.

Trapping sediment in the catch basins is unlikely to improve the water quality of runoff if it is treated in a pond or trap because the coarse particles that are trapped at the catch basin settle out very quickly in the pond or trap. **Catch basin protection normally only improves water quality where there is no treatment facility downstream.** In these circumstances, catch basin protection is an important last line of defense. It is not, however, a substitute for preventing erosion.

The placement of filter fabric under grates is generally prohibited and the use of filter fabric over grates is strictly limited and discouraged.

2. It is sometimes possible to construct a small sump around the catch basin before final surfacing of the road. This is allowed because it can be a very effective method of sediment control.
3. Block and gravel filters, gravel and wire mesh filter barriers, and bag barriers filled with various filtering media placed around catch basins can be effective when the drainage area is 1 acre or less and flows do not exceed 0.5 cfs. It is necessary to allow for overtopping to prevent flooding. Many manufacturers have various inlet protection filters that are very effective in keeping sediment-laden water from entering the storm drainage system. The following are examples of a few common methods.
  - a) **Block and gravel filters** (Figure C.3.9.C) are a barrier formed around an inlet with standard concrete block and gravel, installed as follows:
    - Height is 1 to 2 feet above the inlet.
    - Recess the first row of blocks 2 inches into the ground for stability.
    - Support subsequent rows by placing a 2 x 4 through the concrete block opening.
    - Do not use mortar.
    - Lay some blocks in the bottom row on their side for dewatering the pooled water.
    - Place cloth or mesh with ½ inch openings over all block openings.
    - Place gravel below the top of blocks on slopes of 2:1 or flatter.
    - An alternate design is a gravel donut.
  - b) **Gravel and wire mesh filters** consist of a gravel barrier placed over the top of an inlet. This structure generally does not provide overflow. Install as follows:
    - Cloth or comparable wire mesh with ½ inch openings is placed over inlet.
    - Coarse aggregate covers the cloth or mesh.
    - Height/depth of gravel should be 1 foot or more, 18 inches wider than inlet on all sides.
  - c) **Curb inlet protection with a wooden weir** is a barrier formed around an inlet with a wooden frame and gravel, installed as follows:
    - Construct a frame and attach wire mesh (½ inch openings) and filter fabric to the frame.
    - Pile coarse washed aggregate against the wire/fabric.
    - Place weight on frame anchors.

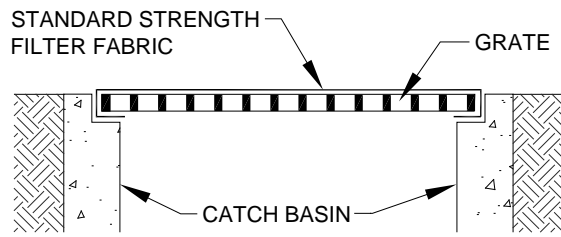


- d) **Curb and gutter sediment barriers** (Figure C.3.9.D) consist of sandbags or rock berms (riprap and aggregate) 3 feet high and 3 feet wide in a horseshoe shape, installed as follows:
- Bags of either burlap or woven geotextile fabric, filled with a variety of media such as gravel, wood chips, compost or sand stacked tightly allows water to pond and allows sediment to separate from runoff.
  - Leave a “one bag gap” in the top row of the barrier to provide a spillway for overflow.
  - Construct a horseshoe shaped berm, faced with coarse aggregate if using riprap, 3 x 3 and at least 2 feet from the inlet.
  - Construct a horseshoe shaped sedimentation trap on the outside of the berm to sediment trap standards for protecting a culvert inlet.
4. **Excavated drop inlet sediment traps** are appropriate where relatively heavy flows are expected and overflow capability is needed. If emergency overflow is provided, additional end-of-pipe treatment may be required. Excavated drop inlets consist of an excavated impoundment area around a storm drain. Sediment settles out of the stormwater prior to enter the drain. Install according to the following specifications:
- a) The impoundment area should have a depth of 1 to 2 feet measured from the crest of the inlet structure.
  - b) Side slopes of the excavated area must be no steeper than 2:1.
  - c) Minimum volume of the excavated area should be 35 cubic yards.
  - d) Install provisions for draining the area to prevent standing water problems.
  - e) Keep the area clear of debris.
  - f) Weep holes may be drilled into the side of the inlet.
  - g) Protect weep holes with wire mesh and washed aggregate.
  - h) Weep holes must be sealed when removing and stabilizing excavated area.
  - i) A temporary dike may be necessary on the down slope side of the structure to prevent bypass flow.

### **Maintenance Standards**

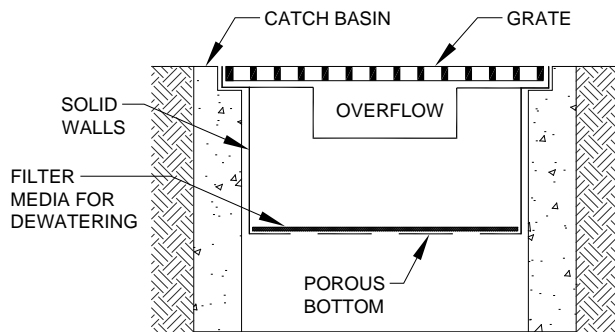
1. Any accumulated sediment on or around inlet protection shall be removed immediately. Sediment shall not be removed with water, and all sediment must be disposed of as fill on site or hauled off site.
2. Any sediment in the catch basin insert shall be removed when the sediment has filled one-third of the available storage. The filter media for the insert shall be cleaned or replaced at least monthly.
3. Regular maintenance is critical for all forms of catch basin/inlet protection. Unlike many forms of protection that fail gradually, catch basin protection will fail suddenly and completely if not maintained properly.

**FIGURE C.3.9.A FILTER FABRIC PROTECTION**



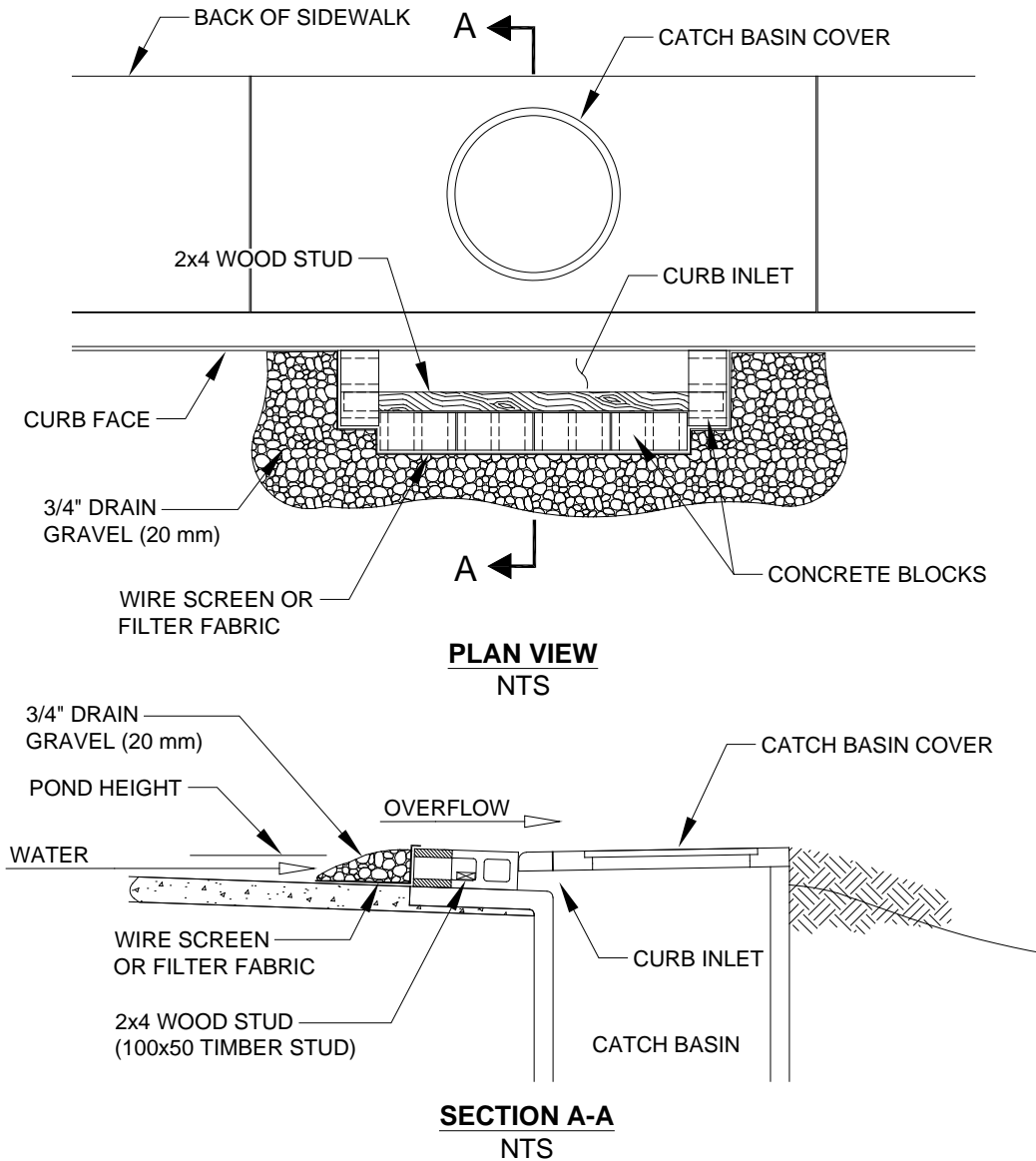
**NOTE:** ONLY TO BE USED WHERE PONDING OF WATER ABOVE THE CATCH BASIN WILL NOT CAUSE TRAFFIC PROBLEMS AND WHERE OVERFLOW WILL NOT RESULT IN EROSION OF SLOPES.

**FIGURE C.3.9.B CATCH BASIN INSERT**



**NOTE:** THIS DETAIL IS ONLY SCHEMATIC. ANY INSERT IS ALLOWED THAT HAS:

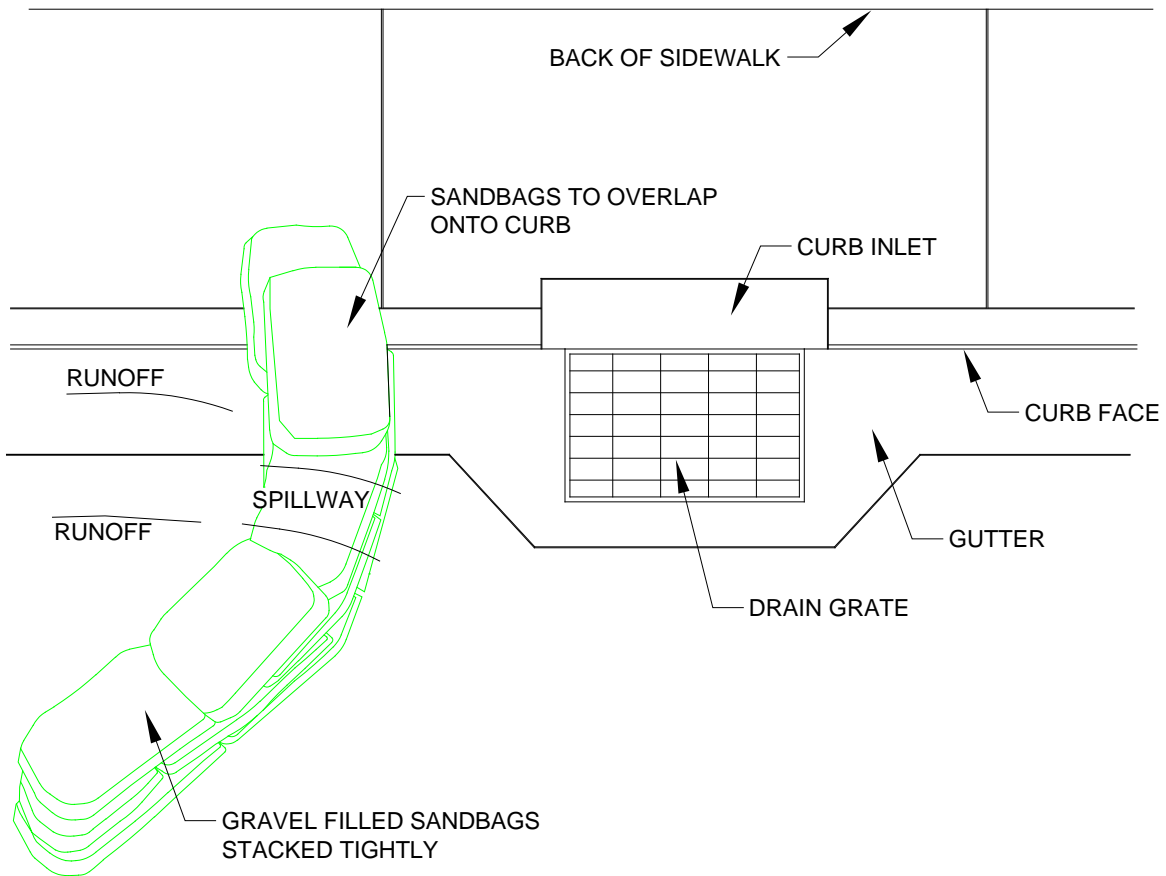
- A MIN. 0.5 C.F. OF STORAGE,
- THE MEANS TO DEWATER THE STORED SEDIMENT,
- AN OVERFLOW, AND
- CAN BE EASILY MAINTAINED.

**FIGURE C.3.9.C BLOCK AND GRAVEL CURB INLET PROTECTION****NOTES:**

1. USE BLOCK AND GRAVEL TYPE SEDIMENT BARRIER WHEN CURB INLET IS LOCATED IN GENTLY SLOPING SEGMENT, WHERE WATER CAN POND AND ALLOW SEDIMENT TO SEPARATE FROM RUNOFF.
2. BARRIER SHALL ALLOW FOR OVERFLOW FROM SEVERE STORM EVENT.
3. INSPECT BARRIERS AND REMOVE SEDIMENT AFTER EACH STORM EVENT. SEDIMENT AND GRAVEL MUST BE REMOVED FROM THE TRAVELED WAY IMMEDIATELY.

**BLOCK AND GRAVEL CURB INLET PROTECTION**

NTS

**FIGURE C.3.9.D CURB AND GUTTER BARRIER PROTECTION****PLAN VIEW**  
NTS**NOTES:**

1. PLACE CURB-TYPE SEDIMENT BARRIERS ON GENTLY SLOPING STREET SEGMENTS, WHERE WATER CAN POND AND ALLOW SEDIMENT TO SEPARATE FROM RUNOFF.
2. SANDBAGS OF EITHER BURLAP OR WOVEN GEOTEXTILE FABRIC ARE FILLED WITH GRAVEL, LAYERED AND PACKED TIGHTLY.
3. LEAVE A ONE-SANDBAG GAP IN THE TOP ROW TO PROVIDE A SPILLWAY FOR OVERFLOW.
4. INSPECT BARRIERS AND REMOVE SEDIMENT AFTER EACH STORM EVENT. SEDIMENT AND GRAVEL MUST BE REMOVED FROM THE TRAVELED WAY IMMEDIATELY.

**CURB AND GUTTER BARRIER**  
NTS

## C.3.10 SEEDING

### Purpose

Seeding is intended to reduce erosion by stabilizing exposed soils. A well-established vegetative cover is one of the most effective methods of reducing erosion.

### Conditions of Use

1. Seeding shall be used throughout the project on **disturbed areas** that have reached final grade or that will remain unworked for more than 30 days.
2. At the City's discretion, seeding without mulch during the **dry season** is allowed even though it will take more than seven days to develop an effective cover. Mulch is, however, recommended at all times because it protects seeds from heat, moisture loss, and transport due to runoff.
3. Prior to the beginning of the **wet season**, all disturbed areas shall be reviewed to identify which ones can be seeded in preparation for the winter rains. Disturbed areas shall be seeded within one week of the beginning of the wet season. A sketch map of those areas to be seeded and those areas to remain uncovered shall be submitted to the CED inspector. The CED inspector may require seeding of additional areas in order to protect surface waters, adjacent properties, or drainage facilities.
4. At final site stabilization, all disturbed areas not otherwise vegetated or stabilized shall be seeded and mulched.

### Design and Installation Specifications

1. The best **time to seed** is fall (late September to October) or in spring (mid-March to June). **Irrigation** is required during the first summer following installation if seeding occurs in spring or summer or during prolonged dry times of year. Areas may also be seeded during the winter months, but it may take additional spring seeding applications to develop a dense groundcover due to cold temperatures. The application and maintenance of mulch is critical for winter seeding.
2. To prevent seed from being washed away, confirm that **all required surface water control measures** have been installed.
3. The **seedbed** should not be compacted because soils that are well compacted will not vegetate as quickly or thoroughly.
4. In general, 10-20-20 N-P-K (nitrogen-phosphorus-potassium) **fertilizer** may be used at a rate of 90 pounds per acre. Slow-release fertilizers are preferred because they are more efficient and have fewer environmental impacts. It is recommended that areas being seeded for final landscaping conduct soil tests to determine the exact type and quantity of fertilizer needed. This will prevent the over-application of fertilizer. Disturbed areas within 200 feet of water bodies and wetlands must use slow-release low-phosphorus fertilizer (typical proportions 3-1-2 N-P-K).
5. The following requirements apply to **mulching**:
  - a) Mulch is always required for seeding slopes greater than 3H:1V (see Section D.4.2.1).
  - b) If seeding during the wet season, mulch is required.
  - c) The use of mulch may be required during the dry season at the City's discretion if grass growth is expected to be slow, the soils are highly erodible due to soil type or gradient, there is a water body close to the disturbed area, or significant precipitation is anticipated before the grass will provide effective cover.
  - d) Mulch may be applied on top of the seed or simultaneously by hydroseeding.

6. **Hydroseeding** is allowed as long as tackifier is included. Hydroseeding with wood fiber mulch is adequate during the dry season. During the wet season, the application rate shall be doubled because the mulch and tackifier used in hydroseeding break down fairly rapidly.
7. Areas to be permanently landscaped shall use **soil amendments**. Good quality topsoil shall be tilled into the top six inches to reduce the need for fertilizer and improve the overall soil quality. Most native soils will require the addition of four inches of well-rotted compost to be tilled into the soil to provide a good quality topsoil. Compost used should meet specifications in Reference Section 11-C.
8. The **seed mixes** listed below in Table C.3.10.A and Table C.3.10.B include recommended mixes for both temporary and permanent seeding. These mixes, with the exception of the wetland mix, shall be applied at a rate of 80 to 100 seeds per square foot. Wet sites should apply 120 to 150 seeds per square foot. Local suppliers should be consulted for information on current Pure Live Seed (PLS) rates and species specific seeds per pound in order to determine seed mix PLS pounds of seed per acre. The appropriate mix depends on a variety of factors, including exposure, soil type, slope, and expected foot traffic. Alternative seed mixes approved by the City may be used.

TABLE C.3.10.A EROSION CONTROL SEED MIX			
Common Name/Latin Name	% Species Composition	Desired Seeds per Square Foot	PLS pounds/Acre
Spike bentgrass <i>Agrostis exarata</i>	6	9	0.1
California brome/ <i>Bromus carinatus</i>	15	23	9.8
Tufted hairgrass/ <i>Deschampsia cespitosa</i>	15	23	0.4
Blue wildrye/ <i>Elymus glaucus</i>	18	27	10.7
California oatgrass/ <i>Danthonia californica</i>	18	27	5.6
Native red fescue/ <i>Festuca rubra</i> var. <i>rubra</i>	18	27	2.4
Meadow barley/ <i>Hordeum brachyantherum</i>	10	15	7.7

TABLE C.3.10.B LANDSCAPING SEED MIX			
Common Name/Latin Name	% Species Composition	Desired Seeds per Square Foot	PLS pounds/Acre
Sideoats grama/ <i>Bouteloua curtipendula</i>	20	30	6.8
California oatgrass/ <i>Danthonia californica</i>	20	30	6.2
Native red fescue/ <i>Festuca rubra</i> var. <i>rubra</i>	30	45	3.9
Prairie junegrass/ <i>Koeleria macrantha</i>	30	45	0.8

### Maintenance Standards for Seeding

1. Any seeded areas that fail to establish at least 80 percent cover within one month shall be reseeded. If reseeding is ineffective, an alternate method, such as sodding or nets/blankets, shall be used. If winter weather prevents adequate seed establishment and growth, this time limit may be relaxed at the discretion of the City when critical areas would otherwise be protected.
2. After adequate cover is achieved, any areas that experience erosion shall be re-seeded and protected by mulch. If the erosion problem is drainage related, the problem shall be fixed and the eroded area re-seeded and protected by mulch.
3. Seeded areas shall be supplied with adequate moisture, but not watered to the extent that it causes runoff.

## C.3.11 SODDING

### Purpose

The purpose of sodding is to establish permanent turf for immediate erosion protection and to stabilize drainage ways where concentrated overland flow will occur.

### Conditions of Use

Sodding may be used in the following areas:

1. Disturbed areas that require short-term or long-term cover
2. Disturbed areas that require immediate vegetative cover

### Design and Installation Specifications

Sod shall be free of weeds, of uniform thickness (approximately 1-inch thick), and shall have a dense root mat for mechanical strength.

The following steps are recommended for sod installation:

1. Shape and smooth the surface to final grade in accordance with the approved grading plan.
2. Amend two inches (minimum) of well-rotted compost into the top six inches of the soil if the organic content of the soil is less than ten percent. Compost used should meet specifications in Reference Section 11-C.
3. Fertilize according to the supplier's recommendations. Disturbed areas within 200 feet of water bodies and wetlands must use non-phosphorus fertilizer.
4. Work lime and fertilizer 1 to 2 inches into the soil, and smooth the surface.
5. Lay strips of sod beginning at the lowest area to be sodded and perpendicular to the direction of water flow. Wedge strips securely into place. Square the ends of each strip to provide for a close, tight fit. Stagger joints at least 12 inches. Staple on slopes steeper than 3H:1V.
6. Roll the sodded area and irrigate.
7. When sodding is carried out in alternating strips or other patterns, seed the areas between the sod immediately after sodding.

### Maintenance Standards

If the grass is unhealthy, the cause shall be determined and appropriate action taken to reestablish a healthy groundcover. If it is impossible to establish a healthy groundcover due to frequent saturation, instability, or some other cause, the sod shall be removed, the area seeded with an appropriate mix, and protected with a net or blanket.

## C.3.12 INTERCEPTOR DIKES AND SWALES

### Purpose

Interceptor dikes and swales intercept storm runoff from drainage areas on or above disturbed slopes and convey it to a sediment pond or trap. They may also be used to intercept runoff from undisturbed areas and convey the runoff to a point below any exposed soils. Interception of surface water reduces the possibility of slope erosion. Interceptor dikes and swales differ from ditches in that they are intended to convey smaller flows along low-gradient drainage ways to larger conveyance systems such as ditches or pipe slope drains.

### Conditions of Use

Interceptor dikes and swales are required in the following situations:

1. At the top of all slopes in excess of 3H:1V and with more than 20 feet of vertical relief.
2. At intervals on any slope that exceeds the dimensions specified in this section for the horizontal spacing of dikes and swales.

### Design and Installation Specifications

1. See Figure C.3.12.A for details of an interceptor dike and Figure C.3.12.B for an interceptor swale.
2. Interceptor dikes and swales shall be **spaced horizontally** as follows:

Average Slope	Slope Percent	Flowpath Length
20H:1V or less	3–5%	300 feet
(10 to 20)H:1V	5–10%	200 feet
(4 to 10)H:1V	10–25%	100 feet
(2 to 4)H:1V	25–50%	50 feet

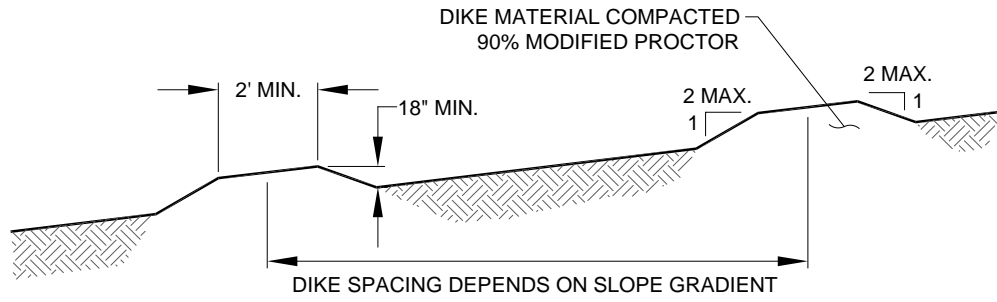
3. For slopes steeper than 2H:1V with more than 10 feet of vertical relief, **benches** may be constructed or closer spaced interceptor dikes or swales may be used. Whichever measure is chosen, the spacing and capacity of the measures must be designed by the engineer and the design must include provisions for effectively intercepting the high velocity runoff associated with steep slopes.
4. If the dike or swale intercepts runoff from **disturbed areas**, it shall discharge to a stable conveyance system that routes the runoff to a sediment pond or trap. If the dike or swale intercepts runoff that originates from **undisturbed areas**, it shall discharge to a stable conveyance system that routes the runoff downslope of any disturbed areas and releases the water at a stabilized outlet.
5. **Construction traffic** over temporary dikes and swales shall be minimized.

### Maintenance Standards

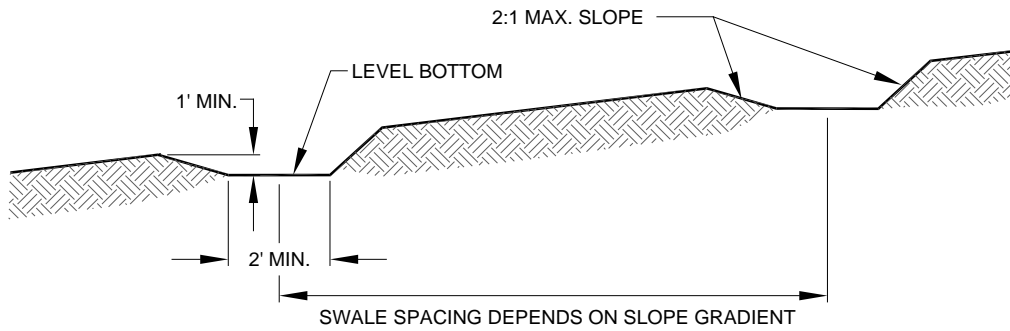
1. Damage resulting from runoff or construction activity shall be repaired immediately.
2. If the facilities do not regularly retain storm runoff, the capacity and/or frequency of the dikes/swales shall be increased.



**FIGURE C.3.12.A INTERCEPTOR DIKE**



**FIGURE C.3.12.B INTERCEPTOR SWALE**



## C.3.13 DITCHES

### Purpose

Ditches intercept and convey runoff from disturbed areas to sediment control locations. They also convey runoff intercepted from undisturbed areas around the construction site to a non-erosive discharge point.

### Conditions of Use

Ditches may be used anywhere that concentrated runoff is to be conveyed on or around the construction site. Temporary pipe systems may also be used to convey runoff.

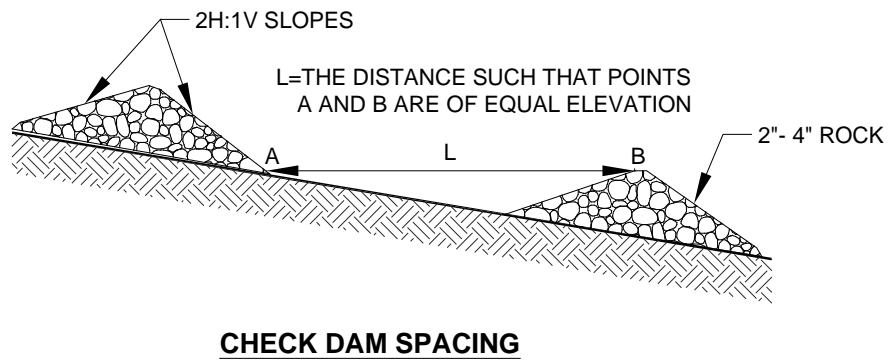
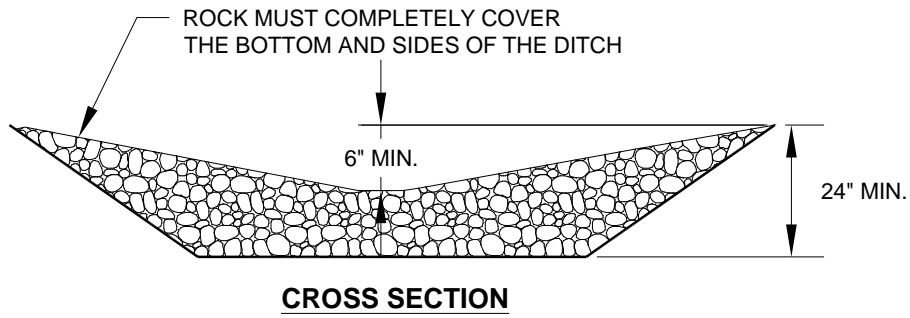
### Design and Installation Specifications

1. Up to 30,000 square feet may be drained by a 12-inch deep trapezoidal ditch with a 1-foot bottom width. Up to 2 acres may be drained by an 18-inch deep trapezoidal ditch with a 1-foot bottom width. Ditches draining larger areas will need to be sized by a *civil engineer*.
2. Ditch side slopes shall be no steeper than 2H:1V.
3. Ditches on 5% or steeper grades shall be armored with rip rap or contain crushed rock check dams spaced such that the crest of each dam is even with the toe of the next upstream dam. See Figure C.3.13.A for details on check dam installation.

### Maintenance Standards

1. Any sediment deposition of more than 0.5 feet shall be removed so that the channel is restored to its design capacity.
2. If the channel capacity is insufficient for the design flow, it must be determined whether the problem is local (e.g., a constriction or bend) or the channel is under-designed. If the problem is local, the channel capacity must be increased through construction of a berm(s) or by excavation. If the problem is under-design, the design engineer shall be notified and the channel redesigned to a more conservative standard to be approved by the City.
3. The channel shall be examined for signs of scouring and erosion of the bed and banks. If scouring or erosion has occurred, affected areas shall be protected by riprap or an erosion control blanket or net.

**FIGURE C.3.13.A CHECK DAMS**



## C.3.14 PIPE SLOPE DRAIN

### Purpose

Pipe slope drains are designed to carry concentrated runoff down steep slopes without causing erosion, or saturation of slide-prone soils. Pipe slope drains may be used to divert water away from or over bare soil to prevent gullies, channel erosion, and saturation of slide prone soils

### Conditions of Use

Pipe slope drains should be used when a temporary or permanent stormwater conveyance is needed to move water down a steep slope to avoid erosion. Pipe slope drains may be:

1. Used on any slope with a gradient of 2H:1V or greater and with at least 10 feet of vertical relief.
2. Used to drain water collected from aquifers exposed on cut slopes and convey it to the base of the slope.
3. Used to collect clean runoff from plastic sheet cover and direct away from any exposed soils.
4. Installed in conjunction with silt fence to drain collected water to a controlled area.

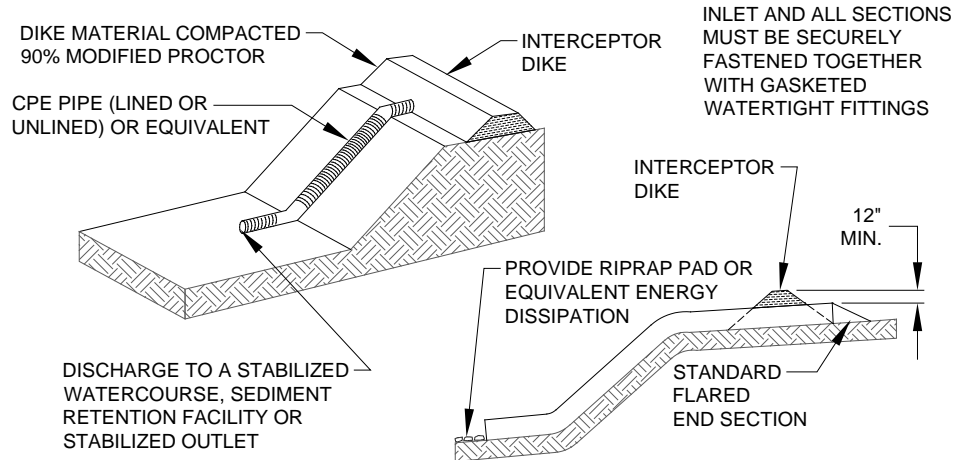
### Design and Installation Specifications

1. See Figure C.3.14.A for details.
2. Up to 30,000 square feet may be drained by each 6-inch minimum diameter pipe. Up to 2 acres may be drained by each 12-inch minimum diameter pipe.
3. The **maximum drainage area** allowed for any 12-inch pipe is 2 acres. For larger areas, more than one pipe shall be used.
4. The **soil** around and under the pipe and entrance section shall be thoroughly compacted.
5. The **flared inlet section** shall be securely connected to the slope drain and be fused or welded, or have flange-bolted mechanical joints to ensure a watertight seal. Ensure that the entrance area is stable and large enough to direct flow into the pipe.
6. Slope drains shall be continuously fused, welded, or flange-bolted mechanical joint pipe systems with proper anchoring to the soil.
7. Re-establish cover immediately on areas disturbed by the installation.

### Maintenance Standards

1. The inlet shall not be undercut or bypassed by water. If there are problems, the head wall shall be appropriately reinforced.
2. No erosion shall occur at the outlet point. If erosion occurs, additional protection shall be added.

FIGURE C.3.14.A PIPE SLOPE DRAIN



## C.3.15 DEWATERING CONTROL

### Purpose

To prevent the untreated discharge of sediment-laden water from dewatering of utility trenches, excavated areas, foundations, etc.

### Conditions of Use

Dewatering control measures shall be used whenever there is a potential for runoff from dewatering of utility trenches, excavations, foundations, etc.

### Design Specifications

1. Foundation, vault, excavation, and trench dewatering water that has similar characteristics to stormwater runoff at the site shall be discharged into a controlled conveyance system prior to discharge to a sediment trap or sediment pond. Foundation and trench dewatering water **that has similar characteristics to stormwater runoff** at the site, must be disposed of through one of the following options depending on site constraints:
  - a) Infiltration,
  - b) Transport offsite in a vehicle, such as a vacuum flush truck, for legal disposal in a manner that does not pollute surface waters,
  - c) Discharge to the sanitary sewer discharge with approval from King County and the City of Renton if there is no other option, or
  - d) Use of a sedimentation bag with outfall to a ditch or swale for small volumes of localized dewatering.
2. Clean, non-turbid dewatering water, such as well-point ground water, may be discharged via stable conveyance to systems tributary to surface waters, provided the dewatering flow does not cause erosion or flooding of receiving waters.
3. **Highly turbid or contaminated dewatering water shall be handled separately** from stormwater.

## C.3.16 CONTROL OF OTHER POLLUTANTS (SWPPS)

### Purpose

To prevent the discharge of pollutants resulting from construction activities.

SWPPS measures **are not modified** for Simplified sites; however, the scope and complexity may be lessened in accordance with the scope of the Simplified site project. Construction activity shall not allow pollutant discharge to surface waters or water resources. The measures listed below provide summary guidance on typical issues and associated BMPs. See Section D.2.2 in Appendix D for additional SWPPS information.

The **Small Site CSWPP plan** is not complete if this section is not included in the planning and implementation of CSWPP for the Simplified Site project.

### Application

Pollution control measures shall be used whenever there is a potential for the discharge to ground or surface water of any pollutants used on the site.

### Pollution Control Measures

The following pollution control measures shall be implemented as applicable using activity-specific BMPs detailed in SWDM Appendix D (*CSWPP Standards*) and the King County *Stormwater Pollution Prevention Manual (SPPM)*:

1. All pollutants, including waste materials, that occur onsite shall be handled and disposed of in a manner that does not cause contamination of stormwater. See Section D.2.2 in the *CWSPP Standards* and *SPPM* Activity Sheets A-8, A-11, A-12, A-16, A-17, A-22, A-29, A-38, and A-41.
2. Cover, containment, and protection from vandalism shall be provided for all chemicals, liquid products, petroleum products, and non-inert wastes present on the site (see Chapter 173-304 WAC for the definition of inert waste). Onsite fueling tanks shall include secondary containment. See Section D.2.2 in the *CWSPP Standards* and *SPPM* Activity Sheets A-2, A-3, A-4, A-6, A-8, and A-9.
3. Maintenance and repair of heavy equipment and vehicles involving oil changes, hydraulic system drain down, solvent and de-greasing cleaning operations, fuel tank drain down and removal, and other activities which may result in discharge or spillage of pollutants to the ground or into stormwater runoff must be conducted using spill prevention measures, such as drip pans. Contaminated surfaces shall be cleaned immediately following any discharge or spill incident. Emergency repairs may be performed onsite using temporary plastic placed beneath and, if raining, over the vehicle. See Section D.2.2 in the *CWSPP Standards* and *SPPM* Activity Sheets A-13, A-17, and A-18.
4. Application of agricultural chemicals, including fertilizers and pesticides, shall be conducted in a manner and at application rates that will not result in loss of chemical to stormwater runoff. Manufacturers' recommendations for application rates and procedures shall be followed. See Section D.2.2 in the *CWSPP Standards* and *SPPM* Activity Sheets A-5, A-25, and A-26.
5. Measures shall be used to prevent or treat contamination of stormwater runoff by pH modifying sources. These sources include, but are not limited to, bulk cement, cement kiln dust, fly ash, new concrete washing and curing waters, waste streams generated from concrete grinding and sawing, exposed aggregate processes, and concrete pumping and mixer washout waters. Stormwater discharges shall not cause or contribute to a violation of the water quality standard for pH in the receiving water. See Section D.2.2 in the *CWSPP Standards* and *SPPM* Activity Sheets A-19, A-20, A-29, A-43, and A-44.
6. For full compliance with RMC 4-6-030 Drainage (Surface Water) Standards, the project may need to include measures for the permanent structures and features constructed under associated permits (e.g.,

permanent canopy requirement for permanent outdoor vehicle maintenance areas constructed under a building permit). See the *SPPM* for Activity Sheets describing issues and measures to address them. Common issues include:

- Containment area planning for storage of liquid materials in stationary or portable tanks, storage of solid waste and food wastes including cooking grease, and to avoid pollutant spills to surface waters. See *SPPM* Activity Sheets A-2, A-3, A-7, and A-8.
- Permanent canopy and paving requirements for permanent outdoor vehicle parking, maintenance and storage areas, and manufacturing or processing associated with metal products. See *SPPM* BMP Information Sheets #3 and #4 and Activity Sheets A-21 and A-31.

*(This page intentionally left blank.)*



## C.4 SIMPLIFIED DRAINAGE PLAN SPECIFICATIONS

This section presents the specifications of drainage plans and supporting documentation that must be submitted for projects in Simplified Drainage Review. See Section C.1.5 for a complete list of items that must be submitted. See Reference Section C.5.1 in this appendix for a description of the Simplified Drainage Review Process.

### Organization of Section C.4

This section is organized as follows:

- Section C.4.1, “Components of Simplified Drainage Plans”
- Section C.4.2, “Specifications for Site Plans”
- Section C.4.3, “BMP Design and Maintenance Details”
- Section C.4.4, “Written Drainage Assessment”

### C.4.1 COMPONENTS OF SIMPLIFIED DRAINAGE PLANS

Unless otherwise directed by CED, Simplified Drainage Plans **for projects on individual sites/lots** typically include a site plan, on-site BMP design and maintenance details, a **Small Site CSWPP plan**, and a written drainage assessment as described and illustrated in this section. If the project is a **subdivision**, a site improvement plan is typically required; but if on-site BMPs are proposed to be installed by the subdivision project on the individual lots, a site plan may substitute for the site improvement plan as allowed by CED. This should be determined in a preapplication meeting with CED.

*Note: if there are any **site** conditions or drainage issues that must be addressed by a **civil engineer** as determined by CED, an engineering plan as described in Chapter 2 of the SWDM will be required in addition to the Simplified Drainage Plan.*

#### C.4.1.1 COMPONENTS REQUIRED FOR INDIVIDUAL LOT PROJECTS

Most of the information required for the **Simplified Drainage Plan** is also required for a residential site plan, which must be submitted with the permit application (see CED Residential Building Permit Drainage Review Checklist). In fact, the residential site plan may be used as a base map for the site plan and **Small Site CSWPP plan** components of the **Simplified Drainage Plan**.

Required components for all individual lot projects are as follows:

1. **Site Plan.** This is a scale drawing of the individual **site/lot** used to show how required on-site BMPs will be applied to the **target impervious surface** and **new pervious surface** proposed on the **site/lot**. The site plan is intended to be a recordable document (or reducible to a recordable document) that can be attached to the declaration of covenant and grant of easement required for implementation of on-site BMPs on individual **sites/lots**. CED may allow a written version of this plan if they determine there is no need to illustrate the size and location of proposed on-site BMPs.
2. **On-site BMP Design and Maintenance Details** (required whenever on-site BMPs are proposed by a project). These are diagrams/figures, design specifications, and maintenance instructions for each on-site BMP proposed. On-site BMP design and maintenance details are intended to be recordable to facilitate attachment to the declaration of covenant and grant of easement required for implementation of on-site BMPs on individual **sites/lots**. CED may waive all or a portion of this component if they determine there is no need to specify design details or maintenance instructions for certain proposed BMPs (e.g., the reduced footprint BMP).

3. **Small Site CSWPP Plan.** This is a scale drawing of the *site* or *project site* used to show the limits of disturbance by the project and how required ESC measures will be applied to prevent sediment from leaving the *project site*. Additionally, the plan identifies construction activities requiring SWPPS measures and how these measures will be applied. The plan must include or be accompanied by any necessary standard details for installation of proposed ESC and SWPPS measures. The figures in Section C.3 may be used as details. CED may allow a written version of this plan if they determine there is no need to illustrate the extent and location of proposed ESC and SWPPS measures.

*Note: if the project proposes to disturb 1 or more acre, a CSWPP plan prepared by a **civil engineer** will be required in accordance with the City's CSWPP Standards (Appendix D of the SWDM).*

4. **Written Drainage Assessment.**<sup>19</sup> This is an overview of the proposed project and its compliance with the drainage requirements of this appendix. It includes a description of proposed *site* improvements, existing *site* conditions, critical areas, existing drainage features, proposed on-site BMPs, and ESC and SWPPS measures, including how they were selected and sized. The drainage assessment should also discuss the results and implications of any soils reports or special studies completed for the *site*.

### C.4.1.2 COMPONENTS REQUIRED FOR SUBDIVISION PROJECTS

The components required for a subdivision project depend on whether on-site BMPs are proposed to be installed as part of the project as described below.

#### A. NO ON-SITE BMPS PROPOSED

1. **Site Improvement Plan.** This is a scale drawing of the *site* used to show the proposed lot layout, building restrictions, road and drainage improvements, and any measures necessary to mitigate the stormwater impacts of road improvements.
2. **Small Site CSWPP Plan.** Same as for individual lot projects in Section C.4.1.1.
3. **Written Drainage Assessment.** Same as for individual lot projects in Section C.4.1.1.

#### B. ON-SITE BMPS PROPOSED

1. **Site Plan** (required for each lot). This is a scale drawing of each lot used to show how required on-site BMPs will be applied to the **future anticipated target impervious surface** and **new pervious surface** on the *site/lot*. All other aspects of this plan are the same as for individual lot projects in Section C.4.1.1.
2. **On-site BMP Design and Maintenance Details** (required for each lot). Same as for individual lot projects in Section C.4.1.1.
3. **Site Improvement Plan.** May be waived by CED if they determine the site plan and design details are an adequate substitute or if no road or drainage improvements are proposed.
4. **Small Site CSWPP Plan.** Same as for individual lot projects in Section C.4.1.1.
5. **Written Drainage Assessment.** Same as for individual lot projects in Section C.4.1.1.

---

<sup>19</sup> If engineering plans are required, the information requested in the written drainage assessment should be incorporated in the technical information report.

## C.4.2 SPECIFICATIONS FOR SITE PLANS

Site plans, subdivision site improvement plans, and **Small Site CSWPP plans** are drawings of the entire *site* that contains the project. They should be drawn on 8½" x 11", 8½" x 14", or 11" x 17" paper, although the applicant is advised to draw **site plans** on 8½" x 11" or 8½" x 14" paper with 1-inch margins so they can be directly recorded as attachments to the required **declaration of covenant and grant of easement** per Requirement 3 of Section C.1.3.4.

Site plans for projects in Simplified Drainage Review must include the information specified in the following subsections.

### C.4.2.1 GENERAL INFORMATION

The following information must be included on **all** site plans, subdivision site improvement plans, and **Small Site CSWPP plans**, unless otherwise directed by CED:

#### Identification

- Name, address, and phone number of applicant
- Parcel number
- Dimension of all property lines, easements, and building setback lines
- Street names and existing or proposed property address
- Section, township, and range of proposal.
- North arrow
- Legend if needed
- **Scale**—use a scale that clearly illustrates drainage features and BMPs/measures (1" = 20' is standard scale; minimum acceptable scale is 1" = 50'). If necessary, split the *site* plan into two or more plan sheets and indicate a "match line" on each sheet to show how the sheets splice together. A variation of this approach is to use separate scales for the *project site* versus the entire *site* and draw them on separate plan sheets.

#### Building and Site Development Features

- Footprint of all structures (existing and proposed)
- Parking, roads, and driveways (existing and proposed)
- Sport courts and any other paved or impervious surfaces (existing and proposed)
- Pervious surface land cover (existing and proposed)
- Location of any retaining walls and rockeries (existing and proposed)
- Existing or proposed septic system, including all system components and both primary and reserve drainfields
- Utility structures (poles, fire hydrants, etc.)
- Existing wells or wells to be abandoned.

#### Topography

- Corner elevations of the *site/lot*
- Benchmark (a permanent mark indicating elevation and serving as a reference in the topographic survey)
- Datum [assumed datum is acceptable in many cases (i.e., fire hydrant base = 100'); datum for projects in or near FEMA floodplain should be per the relevant Flood Insurance Rate Map (FIRM) (typically NGVD 1929, or NAVD 1988 on many recently updated maps, see <https://msc.fema.gov/portal/search?AddressQuery=7732%2020th%20ave%20nw%2C%20seattle%20wa%2098117>>). Datum for projects in or near unmapped floodplain shall use NAVD 1988.]

- Show 5-foot contours for all slopes steeper than 15% and delineate the top and bottom of these slopes
- For *sites/lots* that are 22,000 square feet and larger, show 2-foot or 5-foot contours as needed to design and demonstrate compliance with the minimum design requirements and specifications for proposed on-site BMPs and ESC and SWPPS measures.

#### **Drainage Features and Critical Areas**

- Location of all existing and proposed ditches, swales, pipes, etc.
- Delineation of all streams, wetlands, lakes, closed depressions, or other water features (including any required buffer widths)
- Delineation of all flood hazard areas, *erosion hazard areas*, *steep slope hazard areas*, *landslide hazards*, and their buffers and building setback lines
- Delineation of all drainage easements, tracts, and right-of-way
- Delineation of all critical areas as shown on any recorded critical areas notice on title

#### **C.4.2.2 INFORMATION SPECIFIC TO ON-SITE BMPS**

In addition to the general information required in Section C.4.2.1, the following additional information is required on site plans and on subdivision site improvement plans that include installation of on-site BMPs within a dedicated tract or road right-of-way:

- Location and dimensions of on-site BMP devices such as dispersion trenches, infiltration trenches, drywells, ground surface depressions, bioretention, permeable pavements, rain water storage tanks, and perforated pipe connections
- Delineation and dimensions of target impervious surface and new pervious surface
- Delineation and dimensions of vegetated flowpath segments if applicable
- Delineation of native vegetated surface to be created and preserved
- Setback lengths between on-site BMPs and any property line, structure, steep slope, stream, wetland, or septic system

#### **C.4.2.3 INFORMATION SPECIFIC TO SMALL SITE CSWPP PLANS**

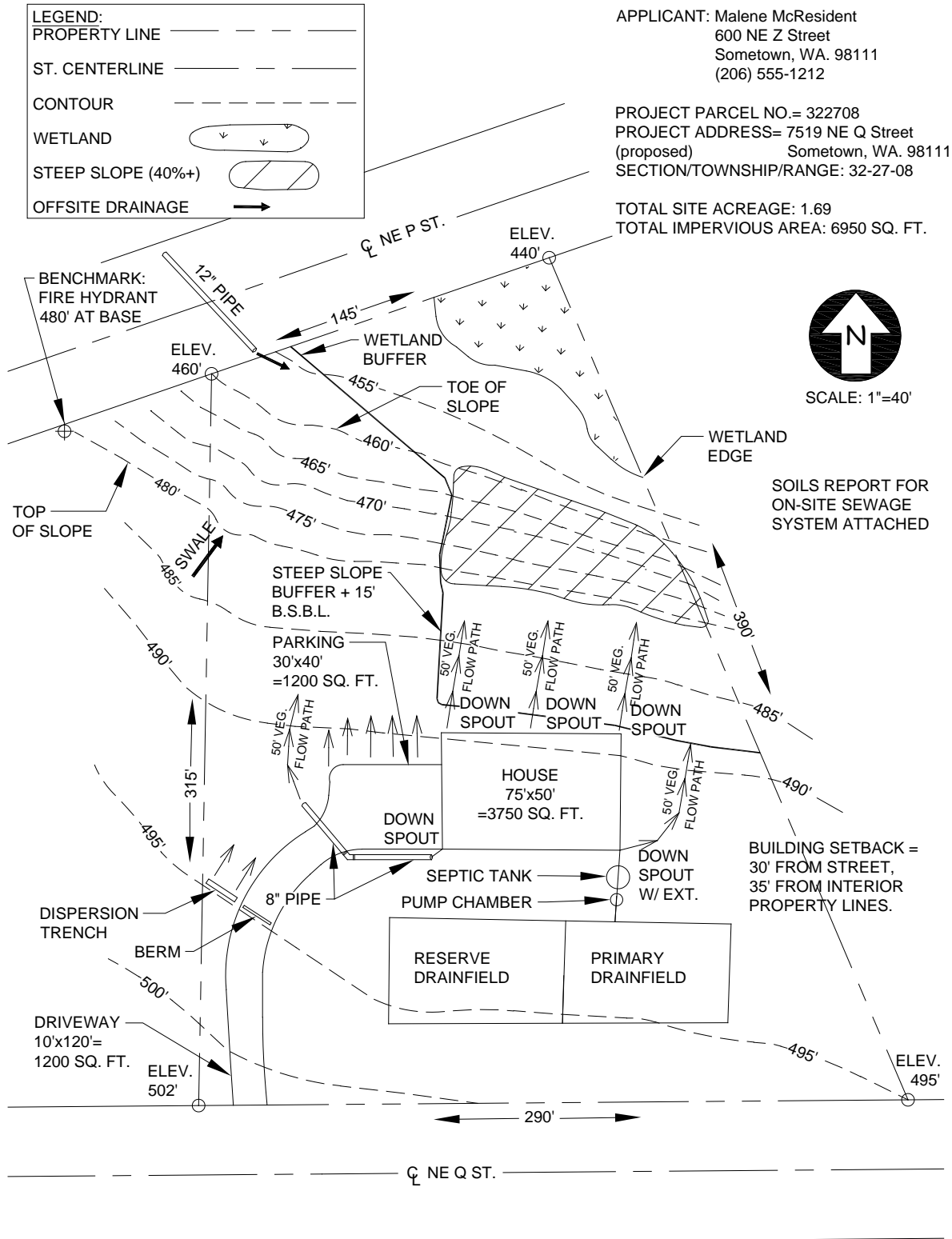
In addition to the general information required in Section C.4.2.1, the following additional information is required on **Small Site CSWPP plans**, unless otherwise directed by CED:

- Delineation of proposed **clearing limits** (i.e., area to be disturbed)
- Type and location of ESC and SWPPS measures
- Notes indicating the location of any **significant offsite drainage features** within 200 feet of the discharge point(s) for the *site/lot*, including streams, lakes, roadside ditches, etc.

#### **C.4.2.4 EXAMPLE SITE PLANS**

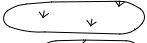
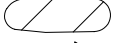

Presented in this section is an example of a **site plan** (Figure C.4.2.A) and a **Small Site CSWPP plan** (Figure C.4.2.B) for construction of a single family residence.

**FIGURE C.4.2.A SINGLE FAMILY RESIDENCE – SITE PLAN**



**FIGURE C.4.2.B SINGLE FAMILY RESIDENCE – SMALL SITE CSWPP PLAN**

**LEGEND:**

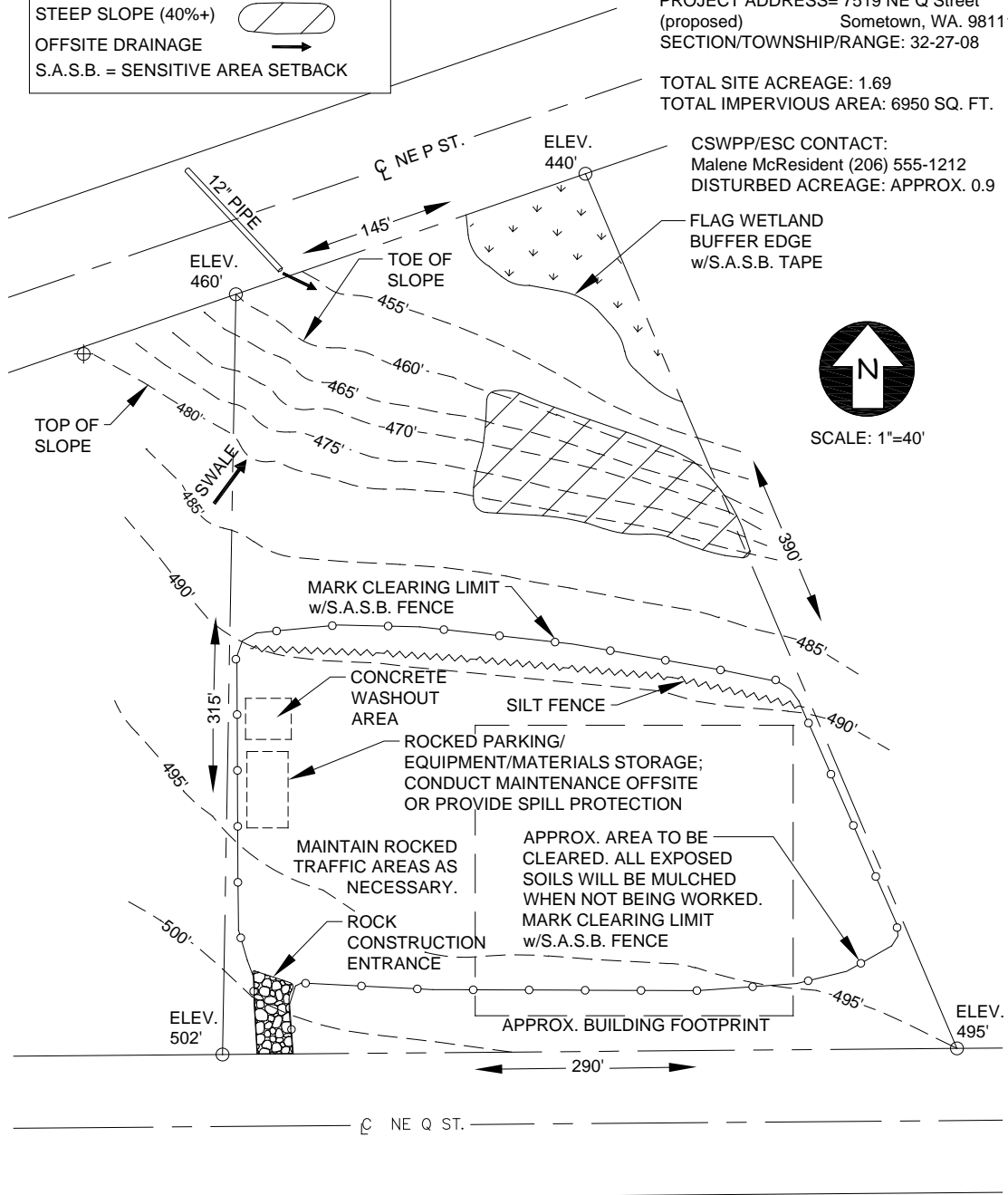
- PROPERTY LINE ————
- ST. CENTERLINE ————
- CONTOUR ————
- WETLAND 
- STEEP SLOPE (40%+) 
- OFFSITE DRAINAGE 
- S.A.S.B. = SENSITIVE AREA SETBACK

APPLICANT: Malene McResident  
 600 NE Z Street  
 Sometown, WA. 98111  
 (206) 555-1212

PROJECT PARCEL NO.= 322708  
 PROJECT ADDRESS= 7519 NE Q Street  
 (proposed) Sometown, WA. 98111  
 SECTION/TOWNSHIP/RANGE: 32-27-08

TOTAL SITE ACREAGE: 1.69  
 TOTAL IMPERVIOUS AREA: 6950 SQ. FT.

CSWPP/ESC CONTACT:  
 Malene McResident (206) 555-1212  
 DISTURBED ACREAGE: APPROX. 0.9



## C.4.3 BMP DESIGN AND MAINTENANCE DETAILS

**For each on-site BMP** shown on a site plan or in the right-of-way or tract of a subdivision site improvement plan, design details and maintenance instructions must be provided to clarify the design, installation, and long term maintenance and operation of the BMP. See the City of Renton Standard Details and the maintenance instructions in Reference Section 8-M.

### C.4.3.1 DESIGN DETAILS

*Design details* are typically diagrams with notes that show a close-up view and/or cross-section of the BMP device and provide dimensions and specifications of size, placement, materials, components, downstream vegetation requirements, etc. Although diagrams are typical, there are many BMP devices (e.g., rock pads) for which only written details and specifications are more than sufficient. For some BMPs, design details may not be needed at all (e.g., the reduced footprint BMP).

Design details should be displayed on 8½" x 11" or 8½" x 14" paper with 1-inch margins so they can be directly recorded as attachments to the required **declaration of covenant and grant of easement** per Requirement 3 of Section C.1.3.4. No scale is required for the diagrams used. The design details for each on-site BMP may be combined with its maintenance instructions on the same sheet or multiple sheets. Design details may also be placed on the site plan if there is room. To be recordable, however, the font size must be no less than 8-pt.

The BMP-specific figures and minimum design specifications presented in Section C.2 can be used to prepare the design details for a specific application of an on-site BMP to a particular *site*/project. Also, the City of Renton Surface Water Utility's *Surface Water Design Manual* website contains downloadable, electronic versions of these and other figures/design specifications that can be adapted to a *site*/project as well. The 2005 *Puget Sound Low Impact Development Manual* is yet another source of figures and design specifications. If a **proprietary version** of an on-site BMP is used, the manufacturer or installer will usually provide a diagram and *site*-specific design specifications.

### C.4.3.2 MAINTENANCE INSTRUCTIONS

*Maintenance instructions* are intended to explain to future property owners, the purpose of each on-site BMP and how it must be maintained and operated. A set of **minimum** maintenance instructions is provided for each on-site BMP is included in Reference Section 8-M. Updated maintenance instructions will be posted on the City of Renton's *Surface Water Design Manual* website. If a **proprietary facility** is used, system-specific maintenance instructions from the manufacturer or installer must be included.

Maintenance instructions should be displayed on 8½" x 11" or 8½" x 14" paper with 1-inch margins so they can be directly recorded as attachments to the required **declaration of covenant and grant of easement** per Requirement 3 of Section C.1.3.4. Instructions prepared in this format are located in Reference Section 8-M. The maintenance instructions for each on-site BMP may be combined with its design details on the same sheet or multiple sheets. Maintenance instructions may also be placed on the site plan if there is room. To be recordable, however, the font size must be no less than 8 point.

## C.4.4 WRITTEN DRAINAGE ASSESSMENT

The written drainage assessment is a supporting document of the Simplified Drainage Plan and typically includes the following information:

- A **narrative** description of proposed project
- Any proposed **changes** to the project after preliminary approval
- A description of **proposed on-site BMPs** shown on the site plan and how they were selected.
- Supporting documentation (e.g., soil tests, infiltration rates, geotechnical recommendations, etc.) where BMPs were not selected based upon determinations of infeasibility
- A description of **proposed ESC and SWPPS measures** shown or noted on the plans and how they were selected
- A description of any necessary **special studies** or **soils reports**
- A description of any **other information** required by CED

### C.4.4.1 EXAMPLE ASSESSMENT FOR A SINGLE FAMILY RESIDENCE

The purpose of this section is to illustrate the application of simplified drainage requirements to a house being built on an existing lot. The site plan for this example is shown in Figure C.4.2.A, and the **Small Site CSWPP plan** is shown in Figure C.4.2.B. Although the example was written for an existing lot in King County, the level of detail included is an example of what could be used for a single lot in the City of Renton. The written drainage assessment is as follows:

#### Drainage Assessment

Malene McResident Residence

7519 NE Q Street

Permit # B05R7184

The project is located east of Duvall on a 1.69-acre lot that is zoned RA. The lot is mostly forested with a wetland on the northeast corner of the property. The lot slopes down from Q Street on the south to P Street on the north. The slope on the south portion of the property is 6-14%. The house and its septic drainfields are proposed on the southern portion of the lot. The driveway will be approximately 10 feet by 120 feet (1,200 square feet) of impervious surface, the parking area 1,200 square feet, and the house 3,750 square feet. The total proposed impervious surface is 6,150 square feet. The total proposed clearing for the house, yard, drainfield areas, and driveway is 0.84 acres.

The wetland is a Category III wetland with a minimum required buffer width of 60 feet as determined in the preapplication meeting with CED. By definition, the wetland is also a flood hazard area for which a floodplain and base flood elevation must be determined. Subject to CED review and approval, an approximate base flood elevation of 452 has been estimated based on a downstream overflow elevation of 450 (see attached notes from the project's land surveyor). This elevation is well below the proposed house and driveway location.

The portion of the lot that is on a 40-50% slope is a steep slope hazard area as determined in the preapplication meeting with CED. A 15-foot building setback as shown on the on-site BMP plan is required. Dispersion and infiltrative BMPs are not allowed within 200 feet of a steep slope hazard area without approval by a geotechnical engineer unless approved by the CED. The CED determined that dispersing of the roof runoff toward the steep slope was acceptable, as shown on the plan.

Because the lot is larger than 22,000 square feet, it is subject to the Large Lot BMP Requirements in Appendix C of the *Surface Water Design Manual*. As mandated by these requirements, all proposed impervious surface (6,150 square feet) is targeted for application of on-site BMPs. As for new pervious surface (totaling 30,440 square feet), it is less than 3/4 acre; therefore, no on-site BMPs are required for this surface beyond the requirement that the existing native topsoil be retained to the



maximum extent practicable. Soil amendments will be provided to mitigate for lost moisture holding capacity where compaction or removal of underlying topsoil occurs.

To address the requirements for mitigation of target impervious surface, the applicability and feasibility of full dispersion was considered first. After subtracting out the wetland and the portion of the lot that may be cleared, about 34,000 square feet of the lot will remain as unsubmerged native vegetated surface. This means that full dispersion could be applicable to up to 5,100 square feet of the target impervious surface (15% of 34,000). However, because of the lot's topography and the location of proposed clearing, there is no way to achieve the minimum required 100 feet of native vegetated flowpath segment that has a slope of 15% or flatter. Therefore, full dispersion is not feasible.

Full infiltration of roof runoff was considered next. According to the attached soils report for the septic system design, the soil on the project site is a sandy loam underlain by dense glacial till. Therefore, full infiltration is not applicable. Permeable pavement was considered for the driveway and parking area, but the geotechnical report recommended against this since the underlying soils do not have properties considered adequate to protect groundwater. This allowed for selection of basic dispersion as the on-site BMP of choice for application to the target impervious surfaces of this project.

To implement basic dispersion, the roof downspouts of the proposed house will discharge via splash blocks to minimum 50-foot vegetated flowpath segments located on slopes no steeper than 15% as shown on the site plan. No more than 700 square feet of roof area will discharge to any one splash block and vegetated flowpath segment. All of the flowpaths will be downslope of septic tank and drainfields.

The northern portion of the driveway will be discharged via sheet flow over a 10-foot vegetated flowpath segment to the north, as shown on the site plan. Runoff from approximately 700 square feet of the southern portion of the driveway will be collected by a rock-lined ditch and a concrete driveway berm and discharged to a 12-foot-long dispersion trench with notch board and then over a 25-foot vegetated flowpath segment toward the north. The 30-foot wide parking area will be discharged via sheet flow over a 2-foot-wide crushed rock strip and a vegetated flowpath segment of 15 feet as shown on the site plan.

In order to prevent erosion and trap sediments within the project site, the following BMPs will be used approximately as shown in the ESC details on the CSWPP plan:

- Clearing limits will be marked by fencing or other means on the ground.
- The driveway will be constructed and graveled immediately. A rock construction entrance will be placed at the end of the driveway. Dispersion trenches will be placed according to flow control requirements. Cleared areas accepting sheet flow from the driveway and parking area will be seeded and mulched.
- Runoff will not be allowed to concentrate and no water will be allowed to point discharge onto the slopes.
- Silt fencing will be placed along slope contours at the downslope limit of clearing.
- Mulch will be spread over all cleared areas of the site when they are not being worked. Mulch will consist of air-dried straw and chipped site vegetation.

*(This page intentionally left blank.)*

## C.5 REFERENCE SECTION

This section contains background and supplemental information on the **Simplified Drainage Review process** and an example **declaration of covenant and grant of easement** required for individual lot developments. The materials in this section are for reference only and may be updated over time. For the latest versions of these materials, see the City of Renton's *Surface Water Design Manual* website.

### C.5.1 SIMPLIFIED DRAINAGE REVIEW PROCESS

Drainage review, when required, is one of several reviews conducted by the CED as part of its review process for City development permits and approvals. The process used for drainage review depends largely on the permit review process already established for different types of developments (e.g., subdivision, single family residence, or commercial building). For projects in Simplified Drainage Review, the review process primarily depends on whether the project is a proposed short plat or just proposed *site* improvements to an existing parcel or combination of parcels (individual lot project). Below is a description of the Simplified Drainage Review process for each of these development types.

#### C.5.1.1 INDIVIDUAL LOT PROJECTS

This section describes the Simplified Drainage Review process for *single family residential projects* that apply for a permit or approval to make specific *site* improvements such as construction of buildings, additions, driveways, or other impervious surfaces, or clearing of native vegetation.

When a permit/approval for a *single family residential project* requires drainage review as specified in the *SWDM*, CED staff plot the project location on various maps (Assessor's, Kroll, topography, soils, etc.), research critical areas on or near the *site*, and check for adopted area-specific conditions that might affect the drainage requirements for the *site*. CED reviews this information with respect to the proposed application. In most cases, a visit to the *site* is made to check existing conditions and drainage concerns.

CED makes a determination of the type of drainage review required for the project and will either:

- Request additional information as needed,
- Request that a Simplified Drainage Plan (see Section C.4) be submitted,
- Determine the project is subject to Directed Drainage Review as described in Chapter 1 of the *SWDM*, request additional information as needed, specify which core and special requirements are applicable to the project, and specify the corresponding applicable drainage plan submittal requirements,
- Request that an engineered drainage plan be submitted in accordance with Chapter 2 of the *SWDM*,  
OR
- Approve the permit subject to complying with an approved Simplified Drainage Plan or engineered drainage plan,
- Deny the permit application because it cannot meet required codes (e.g., a proposed new residence located in a FEMA floodway).

#### C.5.1.2 SUBDIVISION PROJECTS

For *single family residential projects* that are subdivisions, the Simplified Drainage Review process generally includes the following elements:

##### **Pre-Application Submittal**

A pre-application meeting is recommended for short plats prior to formal submittal. The purpose of the pre-application meeting is to identify potential *site* constraints and regulatory requirements for the

proposed project. If the short plat is subject to Simplified Drainage Review, the applicant may use this appendix or other information necessary to complete the Simplified Drainage Plan.

If the drainage requirements for a specific short plat are determined during a pre-application meeting, Simplified Drainage Plans (see Section C.4) may be submitted with the application. Section C.1.1 contains a series of questions that may help assess the requirements for a potential Simplified Drainage Plan submittal. Submitting plans with the short plat permit application may expedite the review of the proposed application. However, there is risk that the plans prepared may exceed, or not adequately address, the yet-to-be-determined conditions of preliminary approval.

### **Preliminary Approval**

After formal permit application, a more detailed review of the *site* and a determination of the type of drainage review required for the proposed subdivision are made. If subject to Simplified Drainage Review, the application may be placed on hold pending the completion of a Simplified Drainage Plan.

The applicant is responsible for submitting a Simplified Drainage Plan as detailed in Section C.4. Upon completion and approval of the Simplified Drainage Plan (and other application requirements), preliminary approval may be granted, subject to the conditions of the Simplified Drainage Plan. For simple short plats that have no drainage issues triggering Targeted Drainage Review, engineered drainage plans are not usually required.

For proposed short plats requiring some engineering analysis, preliminary approval may be granted subject to the approval of engineering plans and a Simplified Drainage Plan. The applicant may choose to have the Simplified Drainage Plan incorporated into the engineered plans (prepared by a *civil engineer*) or may elect to have a separate Simplified Drainage Plan that is not prepared by an engineer.

Proposed short plats that are subject to Simplified Drainage Review but cannot comply with the Simplified drainage requirements will be subject to Full Drainage Review. Any proposed short plats unable to comply with all applicable regulations (drainage or non-drainage) may be denied.

### **Engineering Review**

Short plats receiving preliminary approval subject to the completion of a Simplified Drainage Plan and/or engineering plans are subject to engineering review. When separate plans are being prepared, submittals for engineering review should include both sets of plans to minimize review time and re-submittal fees.

### **Final Recording**

All short plat applications must complete the requirements of final recording. Simplified projects may require additional note(s) be placed on the recorded documents that reference the approved Simplified Drainage Plan for future lot construction.

*Note: Future building permit applications that do not comply with the conditions of the approved Simplified Drainage Plan (e.g., impervious coverage limits, location of BMPs, etc.) may be subject to Full Drainage Review.*

## **C.5.1.3 CHANGES FROM THE ORIGINAL APPROVED PLAN**

Approval of Simplified Drainage Plans is based on a specific proposed project. Changes from the original approved Simplified Drainage Plan (e.g., additional impervious surface or clearing, right-of-way improvements) may require additional review by CED staff, or they may initiate Full Drainage Review, where a *civil engineer* must analyze the project and submit engineering plans. This will add additional review time and expense to the review process.

Changes proposed prior to permit issuance must be submitted through the standard revision process for the type of application.

Changes proposed after permit issuance (during construction) must be submitted through CED. Proposed changes shall not be implemented prior to CED approval. Changes performed without engineering approval may be subject to Stop Work notices and accompanying fees and reviews.

## **C.5.2 DECLARATION OF COVENANT**

A declaration of covenant may be used to achieve the objectives specified in Requirement 3 of Section C.1.3.4. The completed covenant must be reviewed and approved by CED prior to recording. When preparing any form that grants an interest in real property, applicants are encouraged to seek legal advice from a professional qualified in real estate matters. The declaration of covenant can be found on the City of Renton's Surface Water Design Standards web site:  
<<http://rentonwa.gov/government/default.aspx?id=7122>>

*(This page intentionally left blank.)*

**APPENDIX D**  
**CONSTRUCTION STORMWATER**  
**POLLUTION PREVENTION (CSWPP) STANDARDS**

**EROSION AND SEDIMENT**  
**CONTROL (ESC) STANDARDS**

**STORMWATER POLLUTION PREVENTION**  
**AND SPILL CONTROL (SWPPS) STANDARDS**

**CITY OF RENTON**  
**SURFACE WATER**  
**DESIGN MANUAL**

**December 12, 2016**

*(This page intentionally left blank.)*



# APPENDIX D

## CONSTRUCTION

## STORMWATER

## POLLUTION

## PREVENTION

## STANDARDS



Section	Page
<b>D.1 Principles of Construction Stormwater Pollution Prevention (CSWPP)</b>	<b>D-5</b>
D.1.1 Erosion and Sediment Control Principles	D-5
D.1.2 Stormwater Pollution Prevention and Spill Control Principles	D-7
<b>D.2 General CSWPP Requirements</b>	<b>D-9</b>
D.2.1 ESC Measures	D-9
D.2.1.1 Clearing Limits	D-11
D.2.1.2 Cover Measures	D-12
D.2.1.3 Perimeter Protection	D-30
D.2.1.4 Traffic Area Stabilization	D-40
D.2.1.5 Sediment Retention	D-46
D.2.1.6 Surface Water Collection	D-58
D.2.1.7 Dewatering Control	D-66
D.2.1.8 Dust Control	D-67
D.2.1.9 Flow Control	D-68
D.2.1.10 Protect Existing and Proposed Stormwater Facilities and On-site BMPs	D-69
D.2.1.11 Maintain Protective BMPs	D-69
D.2.1.12 Manage the Project	D-70
D.2.2 SWPPS Measures	D-71
D.2.2.1 Concrete Handling	D-72
D.2.2.2 Concrete Washout Area	D-73
D.2.2.3 Sawcutting and Surfacing Pollution Prevention	D-78
D.2.2.4 Material Delivery, Storage, and Containment	D-78
D.2.2.5 Construction Stormwater Chemical Treatment	D-80
D.2.2.6 Construction Stormwater Filtration	D-86
D.2.2.7 High pH Neutralization Using CO <sub>2</sub>	D-89
D.2.2.8 pH Control for High pH Water	D-91
D.2.2.9 Use of High pH Soil Amendments on Construction Sites	D-92
D.2.2.10 Maintain Protective BMPs	D-100
D.2.2.11 Manage the Project	D-100
D.2.3 CSWPP Performance and Compliance Provisions	D-101
D.2.3.1 CSWPP Supervisor	D-101
D.2.3.2 Monitoring of Discharges	D-102
D.2.3.3 ESC Performance	D-102

D.2.3.4	SWPPS Performance	D-103
D.2.3.5	Flexible Compliance	D-103
D.2.3.6	Roads and Utilities Compliance	D-103
D.2.3.7	Alternative Measures	D-104
D.2.4	CSWPP Implementation Requirements	D-105
D.2.4.1	CSWPP Plan	D-105
D.2.4.2	Wet Season Requirements	D-106
D.2.4.3	Critical Areas Restrictions	D-106
D.2.4.4	Maintenance Requirements	D-107
D.2.4.5	Final Stabilization	D-108
D.2.4.6	NPDES Requirements	D-108
D.2.4.7	Forest Practice Permit Requirements	D-109
D.2.5	Construction Stormwater Pollution Prevention Plans	D-109
D.2.5.1	ESC Plan	D-109
D.2.5.2	SWPPS Plan	D-112
<b>D.3</b>	<b>Small Site CSWPP</b>	<b>D-117</b>
D.3.1	Introduction to Small Site CSWPP	D-117
D.3.2	Small Site CSWPP Requirements	D-118
D.3.3	Small Site CSWPP Implementation Requirements	D-120
D.3.4	ESC Measures Modified for Small Sites	D-120
D.3.4.1	Mark Clearing Limits/Minimize Clearing	D-120
D.3.4.2	Ditches	D-121
D.3.4.3	Pipe Slope Drain	D-122
D.3.5	Control of Other Pollutants (SWPPS)	D-122
D.3.6	Small Site CSWPP Submittal Requirements	D-124
D.3.6.1	Small Site CSWPP Plan Map	D-124
D.3.6.2	Features Required on Small Site CSWPP Plans	D-124
D.3.6.3	Sample Small Site CSWPP Plan	D-125
<b>D.4</b>	<b>Reference Section</b>	<b>D-129</b>
D.4.1	Standard ESC Plan Notes	D-129
D.4.2	Recommended Construction Sequence	D-129
D.4.3	ESC and SWPPS Maintenance Reports	D-130

# APPENDIX D

## CONSTRUCTION STORMWATER POLLUTION PREVENTION STANDARDS

### EROSION AND SEDIMENT CONTROL (ESC)

### STORMWATER POLLUTION PREVENTION AND SPILL CONTROL (SWPPS)

Construction sites have a potential to pollute stormwater by sediment erosion and by ineffective management of onsite construction-related activities and materials storage. The Construction Stormwater Pollution Prevention (CSWPP) Plan is comprised of the Erosion and Sediment Control (ESC) Plan to address erosion and sediment control requirements, and the Stormwater Pollution Prevention and Spill Control (SWPPS) Plan to aid effective management of onsite activities and materials.

#### *EROSION AND SEDIMENT CONTROL (ESC)*

The purpose of ESC is to prevent to the maximum extent practicable,<sup>1</sup> the transport of sediment to streams, wetlands, lakes, drainage systems, and adjacent properties during and following construction of a proposed project or other *land disturbing activity*.<sup>2</sup> In many circumstances it is difficult to completely prevent the transport of sediment to these features, either because of the difficulty in removing silt and clay-sized particles from runoff or because of large, infrequent storms that overwhelm the ESC facilities. It is the responsibility of those involved in the design and construction of any project to utilize a variety of strategies to minimize erosion and the transport of sediment to the maximum extent practicable. These strategies shall include overall project planning that reduces the risk of erosion through appropriate design and scheduling (see Section D.1) and traditional structural and cover measures, such as those described in Section D.2.1.

Erosion and sediment control is necessary because erosion rates associated with uncontrolled construction sites are much higher than normal rates—often a thousand or more times that of undeveloped land. The erosion rates increase during construction due to the removal of soil cover, alteration of soil characteristics, and changes in site topography. These vastly accelerated erosion rates, together with the higher rates typical of urbanized areas, result in excessive deposition of sediment in water resources and drainage facilities. This excessive erosion and consequent sediment deposition can result in devastating

---

<sup>1</sup> *Maximum extent practicable* means the use of best management practices that are available and capable of being designed, constructed and implemented in a reliable and effective manner including, but not limited to, consideration of site conditions and cost.

<sup>2</sup> *Land disturbing activity* means any activity that results in a change in the existing soil cover (both vegetative and non-vegetative and/or the existing soil topography). Land disturbing activities include, but are not limited to demolition, construction, clearing, grading, filling, excavation, and compaction. Land disturbing activity does not include tilling conducted as part of agricultural practices, landscape maintenance, or gardening.

impacts to surface waters such as smothering of salmonid spawning beds, algal blooms in lakes, and flooding due to obstruction of drainage ways.

Applying erosion and sediment controls to construction sites can greatly reduce the delivery of sediment to surface waters. The chart on the next page shows how controls can significantly reduce the concentration of sediment leaving the project site.<sup>3</sup> Even with good controls, the concentration of sediment leaving the site will still be significantly higher than either undeveloped or developed conditions and this may result in significant adverse impacts; however, the likelihood of such impacts are dramatically less than if no controls are used.

### ***STORMWATER POLLUTION PREVENTION AND SPILL CONTROL (SWPPS)***

The purpose of stormwater pollution prevention and spill control is to prevent, reduce, or eliminate the discharge of pollutants to onsite or adjacent stormwater systems or watercourses from construction-related activities such as materials delivery and storage, onsite equipment fueling and maintenance, demolition of existing buildings and disposition of demolition materials and other waste, and concrete handling, washout and disposal.

Construction activities usually necessitate the onsite storage of earth-moving vehicles and provision for parking for contractors and employees. Parking and typical fueling and maintenance can result in fuel spills and dripping vehicular fluids. Construction practices often involve the use and storage of materials such as soil treatments, flocculant chemicals, toxic solvents and building materials, and caustic concrete materials that could cause negative impacts if allowed to leak, drip or otherwise escape into surface and ground waters or become airborne. Concrete delivery, preparation, handling and disposal occur on most construction sites. The resultant high pH concrete wastewater from placement and washout operations can be toxic to aquatic resources and groundwater if left uncaptured or untreated or improperly disposed,

It is the responsibility of those involved in the design and construction of any project to utilize a variety of strategies to prevent pollutants from entering stormwater runoff. These strategies shall include overall project planning that reduces the risk of pollution through appropriate site management and project scheduling (see Section D.1.1) and structural, cover, containment and handling measures, such as those described in Section D.2.2.

### **Compliance with Surface Water Quality Requirements RMC 4-6-030**

The City of Renton Surface Water Design Manual (SWDM), (including this Appendix D, Construction Stormwater Pollution Prevention Standards) and the King County Stormwater Pollution Prevention Manual (SPPM) collectively address the surface water quality requirements of the City of Renton Municipal Code (RMC) 4-6-030. While the SWDM addresses impacts from construction, the SPPM spans construction and post-construction time frames. For full compliance with RMC 4-6-030, the applicant must address the requirements of the SPPM, which may include permanent structural elements requiring separate permit review.

### **Organization of Appendix D**

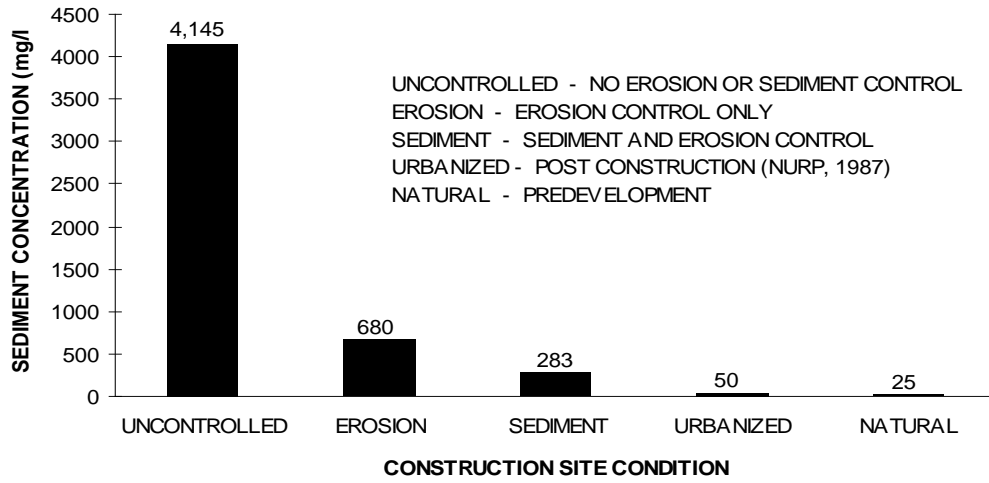
Appendix D is organized as follows:

- Section D.1, “Principles of Construction Stormwater Pollution Prevention (CSWPP)”
- Section D.2, “General CSWPP Requirements”
- Section D.3, “Small Site CSWPP”
- Section D.4, “Reference Section”

---

<sup>3</sup> *Project site* means that portion of a site and any offsite areas subject to proposed project activities, alterations, and improvements. *Site* means a single parcel, or two or more contiguous parcels that are under common ownership or documented legal control, used as a single parcel for purposes of applying for authority from the City of Renton to carry out a development/project proposal. For projects located primarily within dedicated rights-of-way, site includes the entire width of right-of-way within the total length of right-of-way subject to improvements proposed by the project.

**MEDIAN STORM SEDIMENT CONCENTRATIONS  
(METROPOLITAN WASHINGTON COUNCIL OF GOVERNMENTS, 1990)**



*(This page intentionally left blank)*

## D.1 PRINCIPLES OF CONSTRUCTION STORMWATER POLLUTION PREVENTION (CSWPP)

### D.1.1 EROSION AND SEDIMENT CONTROL PRINCIPLES

This section provides basic information on the principles of erosion and sediment control that shall be applied to all projects in the City of Renton. This section is intended to highlight certain principles that are particularly critical to achieving effective control and that are the basis for the erosion and sediment control requirements of the *SWDM's* Core Requirement #5: Construction Stormwater Pollution Prevention. Projects that are consistent with these principles will generally meet the intent of the ESC aspects of Core Requirement #5 and this appendix, even if the details of the project are not entirely consistent with City standards. If a more complete treatment of ESC is needed, there are a number of useful references available (for example, *Erosion and Sediment Control Handbook*, Goldman et al., 1986). Additionally, information on permanent erosion control in natural channels is available in the *Guidelines for Bank Stabilization Projects* (King County, 1993).

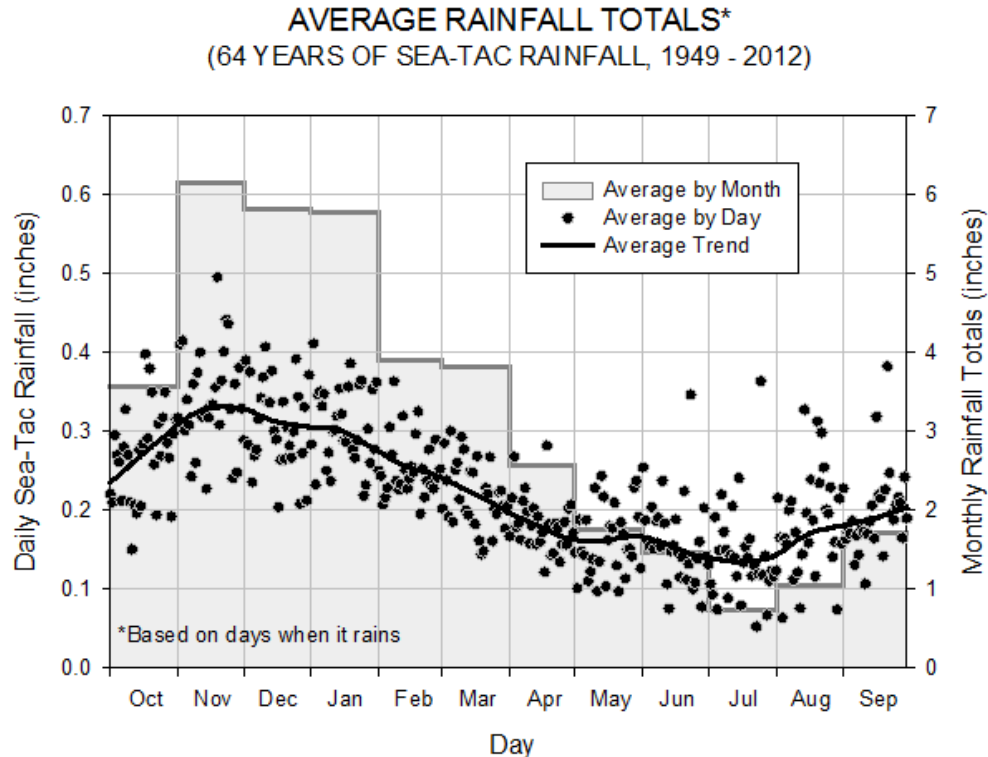
- **Design the project to fit the natural topography, soils, and drainage patterns.** Through such practices as limiting disturbance of steeper slopes, avoiding disturbance of natural drainage ways, or using soils with a high infiltration rate to treat polluted runoff, the characteristics of the site can be used to minimize erosion and sediment transport.
- **Emphasize erosion control rather than sediment control.** Erosion control minimizes the entrainment of sediment by runoff or in the air due to wind, while sediment control removes entrained sediment from runoff. Erosion control is more efficient and cost-effective because it is nearly impossible to entirely remove sediment from runoff once it is entrained. Examples of erosion control include covering disturbed soils and controlling surface runoff using measures such as dikes and lined ditches. One illustration of the relative effectiveness of erosion control is straw mulch, which can reduce sediment concentrations in runoff over 90%.

Since it is nearly impossible to entirely prevent erosion, it will also be necessary to incorporate sediment control facilities such as sedimentation ponds and silt fences. Sediment controls vary in their effectiveness, but typically reduce sediment concentrations 50 to 75%. However, sediment controls have little effect on the very fine sediment that causes turbidity, whereas cover measures, such as straw mulch, can be highly effective in reducing turbidity.

- **Minimize the extent and duration of area exposed.** Restricting clearing to only those areas necessary for construction is probably the single most effective form of erosion control. Additionally, exposing areas only as long as necessary reduces the risk of erosion substantially. This can be accomplished by planning the project so that areas are disturbed only when construction is imminent, and by mulching or seeding disturbed areas as soon as grading is completed.
- **Keep runoff velocities low.** While erosion of exposed soil begins with a single raindrop or the wind, the largest volumes of eroded materials are typically associated with concentrated runoff forming rills and gullies. One of the best ways to minimize erosion, therefore, is to reduce the possibility of concentrated runoff by intercepting runoff and conveying it in a non-erosive manner to a sediment pond or trap. This can include the use of dikes, swales, and benches to intercept runoff on slopes and ditches or drains to convey the intercepted runoff.
- **Retain sediment on site.** Sediment retention is less effective than erosion control measures, such as cover, but it is nevertheless a vital part of most projects because it is impossible to completely prevent erosion and the entrainment of sediment by runoff. Sediment can be retained by allowing it to settle out in ponds and traps or by filtering runoff from small areas through vegetation or use of a silt fence. Note that settling and filtration typically only remove sand-sized and coarse silt particles. Fine silts and clays cannot be removed in these ways unless the runoff is released to vegetated areas, or unless chemical treatment (e.g., with alum or chitosan introduction) or electroflocculation are used.

- **Protect all existing and proposed Low Impact Development (LID) on-site BMPs from sedimentation and compaction during construction.** On-site BMPs rely on infiltration into the native soils onsite. Sedimentation can clog and compaction can reduce the void space in the soil, lessening the soil's ability to infiltrate. Effective ESC measures can protect existing stormwater facilities and on-site BMPs from sedimentation and intrusion by construction activities, while assuring the areas planned for new BMPs/facilities retain their infiltrative capacity
- **Thoroughly monitor the site and maintain all ESC measures.** Maintenance and vigilance are the most vital components of effective ESC management. All measures require regular maintenance, monitoring and inspection. The overall site also needs to be constantly examined to ensure that all areas are protected, that the measures are working together to provide maximum protection, and that all areas are mulched and/or vegetated as soon as possible.
- **Schedule major earthwork during the dry season.** The climate in the Puget Sound region is unique in that there are generally well-defined wet and dry seasons (see Figure D.1.1.A) and the *wet season*<sup>4</sup> is characterized by a large number of low-intensity, but frequent and long-lasting, storms. As a result, construction in the dry season<sup>5</sup> is a very effective form of erosion control. If construction does occur in the wet season, the need for regular maintenance is even more imperative.

**FIGURE D.1.1.A YEARLY RAINFALL PATTERN**



<sup>4</sup> *Wet season* means October 1 to April 30.

<sup>5</sup> *Dry season* means May 1 to September 30.



## D.1.2 STORMWATER POLLUTION PREVENTION AND SPILL CONTROL PRINCIPLES

This section provides basic information on the principles of stormwater pollution prevention and control that shall be applied to all projects in the City of Renton. This section is intended to highlight certain principles that commonly apply to construction sites and are particularly critical to achieving effective control. These principles are the basis for the stormwater pollution prevention and spill control requirements of the *SWDM's* Core Requirement #5: Construction Stormwater Pollution Prevention. Projects that are consistent with these principles will generally meet the intent of the SWPPS aspects of Core Requirement #5 and this appendix, even if the details of the project are not entirely consistent with City standards. Additional information and BMP options other than those listed below can be found in the King County *Stormwater Pollution Prevention Manual (SPPM)*.

- **Follow effective pollutant handling and disposal procedures.** Conduct handling and disposal of all pollutants that occur onsite, including waste materials, in a manner that does not cause contamination of stormwater. Ensure employees are following handling and waste protocols.
- **Provide cover and containment for materials, fuel and other pollutants.** Cover, contain and protect from vandalism all chemicals, liquid products, petroleum products, and non-inert wastes present on the site (see Chapter 173-304 WAC for the definition of inert waste). Provide secondary containment for onsite fueling tanks and as required for other materials.
- **Manage the project site to maximize pollutant control and minimize pollutant sources.** Limit onsite parking for construction equipment and contractor vehicles to a designated and controllable area. Provide drip pans for fueling operations and disallow onsite parking for leaky vehicles. Schedule construction and maintenance operations to avoid exposing pollutant sources to inclement weather. Anticipate and prepare traffic routes through the site and limit traffic to those locations.
- **Protect from spills and drips of petroleum products and other pollutants.** Limit maintenance and repair of heavy equipment and vehicles to minor maintenance and fueling as much as possible. If conducting maintenance or repair involving oil changes, hydraulic system drain down, solvent and degreasing cleaning operations, fuel tank drain down and removal, and other activities that may result in discharge or spillage of pollutants to the ground or into stormwater runoff, provide spill prevention measures, such as drip pans and temporary plastic sheet placed beneath the vehicle. Clean contaminated surfaces immediately following any discharge or spill incident.
- **Avoid overapplication or untimely application of chemicals and fertilizers.** Apply agricultural chemicals, including fertilizers and pesticides, in a manner and at application rates that will not result in loss of chemical to stormwater runoff. Plan ahead to avoid application prior to or during inclement weather.
- **Prevent or treat contamination of stormwater runoff by pH modifying sources.** These sources include, but are not limited to, bulk cement, cement kiln dust, fly ash, new concrete washing and curing waters, waste streams generated from concrete grinding and sawing, exposed aggregate processes, and concrete pumping and mixer washout waters. Stormwater discharges shall not cause or contribute to a violation of the water quality standard for pH in the receiving water.

*(This page intentionally left blank)*

## D.2 GENERAL CSWPP REQUIREMENTS

To satisfy the City of Renton’s requirements for CSWPP, the following steps are required of all construction projects:

1. **Design the plan:** In accordance with Sections 2.3.1 and 2.3.3 of the *SWDM*, prepare and submit a technical information report (TIR) and a CSWPP plan (comprised of the ESC plan and the SWPPS plan) for City review. Utilize the standards and details for ESC (Section D.2.1) and SWPPS control (Section D.2.2) of this appendix. Incorporate any City of Renton review comments as necessary to comply with Core Requirement #5, Section 1.2.5 of the *SWDM*, the Erosion and Sediment Control and Stormwater Pollution Prevention and Spill Control Standards in this appendix.
2. **Construct the approved plan:** Construct initial ESC, SWPPS and stormwater facility (flow control facility, runoff treatment facility, and on-site BMP) protection measures on site according to the approved CSWPP plan.
3. **Maintain the BMPs:** Inspect and maintain all CSWPP measures and stormwater facility (flow control facility, runoff treatment facility, and on-site BMP) protection throughout construction in accordance with the inspection and maintenance standards of Section D.2.4.4. Keep current any required documentation and reporting.
4. **Manage the project:** Make any changes or additions necessary during construction to ensure that CSWPP measures and stormwater facility (flow control facility, runoff treatment facility, and on-site BMP) protection perform in accordance with Core Requirement #5 and Sections D.2.1, D.2.2 and D.2.4. Coordinate construction in consideration of the applied BMP strategies. Ensure pollutant controls, facility processes and reporting requirements are met in accordance with Section D.2.3. The CSWPP supervisor is the primary point of contact for all ESC and SWPPP issues (see Section D.2.3.1).
5. **Conclude the plan:** Prior to final construction approval, meet all the conditions in Section D.2.4.5 for final stabilization.

A National Pollutant Discharge Elimination System (NPDES) General Permit for Construction (pursuant to the Washington State Department of Ecology’s Construction Stormwater General Permit) may also be required for projects that will disturb one or more acres (see *SWDM* Section 1.2.5.3 for additional information). Proposed projects subject to Simplified Drainage Review as determined in *SWDM* Section 1.1.2.1 may satisfy City of Renton CSWPP requirements by meeting the Small Site CSWPP requirements specified in Section D.3 and reiterated in Appendix C of the *SWDM* titled, “Simplified Drainage Requirements.”

### D.2.1 ESC MEASURES

This section details the ESC measures that are required to minimize erosion and sediment transport off a construction site and protect areas of existing and proposed stormwater facilities (flow control facilities, runoff treatment facilities, and on-site BMPs). These ESC measures represent Best Management Practices (BMPs)<sup>6</sup> for the control of erosion and entrained sediment as well as other impacts related to construction such as increased runoff due to land disturbing activities. The measures and practices are grouped into nine sections corresponding to each of the nine categories of ESC measures in Core Requirement #5, Section 1.2.5 of the *SWDM*. The introductory paragraphs at the beginning each section present the basic requirement for that category of measures, the purpose of those measures, installation requirements relative to construction activity, guidelines for the conditions of use, and other information relevant to all measures in the section/category. Compliance with each of the nine categories of the ESC measures, to the

<sup>6</sup> *Best Management Practices (BMPs)* means the best available and reasonable physical, structural, managerial, or behavioral activities, that when singly or in combination, eliminate or reduce the contamination of surface and/or ground waters.

extent applicable and necessary to meet the performance criteria in Section D.2.1, and compliance with the ESC implementation requirements in Section D.2.4, constitutes overall compliance with the City's ESC Standards.

*Note: Additional measures shall be required by the City if the existing standards are insufficient to protect adjacent properties, drainage facilities, or water resources.*

The standards for each individual ESC measure are divided into four sections:

1. Purpose
2. Conditions of Use
3. Design and Installation Specifications
4. Maintenance Requirements.

A code and symbol for each measure have also been included for ease of use on ESC plans. Note that the "Conditions of Use" always refers to site conditions. As site conditions change, ESC measures must be changed to remain in compliance with the requirements of this appendix.

Whenever compliance with the City's ESC Standards is required, all of the following categories of ESC measures must be considered for application to the project site as detailed in the following sections:

1. **Clearing Limits:** Prior to any site clearing or grading, areas to remain undisturbed during project construction shall be delineated on the project's ESC plan and physically marked on the project site.
2. **Cover Measures:** Temporary and permanent cover measures shall be provided when necessary to protect disturbed areas. The intent of these measures is to prevent erosion by having as much area as possible covered during any period of precipitation.
3. **Perimeter Protection:** Perimeter protection to filter sediment from sheet flow shall be provided downstream of **all** disturbed areas prior to upslope grading.
4. **Traffic Area Stabilization:** Unsurfaced entrances, roads, and parking areas used by construction traffic shall be stabilized to minimize erosion and tracking of sediment offsite.
5. **Sediment Retention:** Surface water collected from all disturbed areas of the site shall be routed through a sediment pond or trap prior to release from the site, except those areas at the perimeter of the site small enough to be treated solely with perimeter protection. Sediment retention facilities shall be installed prior to grading any contributing area.
6. **Surface Water Collection:** Surface water collection measures (e.g., ditches, berms, etc.) shall be installed to intercept all surface water from disturbed areas, convey it to a sediment pond or trap, and discharge it downstream of any disturbed areas. Areas at the perimeter of the site, which are small enough to be treated solely with perimeter protection, do not require surface water collection. Significant sources of upstream surface water that drain onto disturbed areas shall be intercepted and conveyed to a stabilized discharge point downstream of the disturbed areas. Surface water collection measures shall be installed concurrently with or immediately following rough grading and shall be designed, constructed, and stabilized as needed to minimize erosion.
7. **Dewatering Control:** The water resulting from construction site de-watering activities must be treated prior to discharge or disposed of as specified.
8. **Dust Control:** Preventative measures to minimize wind transport of soil shall be implemented when a traffic hazard may be created or when sediment transported by wind is likely to be deposited in water resources.
9. **Flow Control:** Surface water from disturbed areas must be routed through the project's onsite flow control facility or other provisions must be made to prevent increases in the existing site conditions 2-year and 10-year runoff peaks discharging from the project site during construction (flow control

- facility, runoff treatment facility, and on-site BMP areas [existing or proposed] shall not be used for this purpose).
10. **Control Pollutants:** Stormwater pollution prevention (SWPPS) measures are required to prevent, reduce, or eliminate the discharge of pollutants to onsite or adjacent stormwater systems or watercourses from construction-related activities such as materials delivery and storage, onsite equipment fueling and maintenance, demolition of existing buildings and disposition of demolition materials and other waste, and concrete handling, washout and disposal. Section D.2.2 describes BMPs specific to this purpose; additionally, several of the ESC BMPs described herein are applicable.
  11. **Protect Existing and Proposed Stormwater Facilities and On-site BMPs:** Sedimentation and soil compaction reduce the infiltration capacity of native and engineered soils. Protection measures shall be applied/installed and maintained so as to prevent adverse impacts to existing stormwater facilities and on-site BMPs and areas of proposed stormwater facilities and on-site BMPs for the project. Adverse impacts can prompt the requirement to restore or replace affected stormwater facilities and on-site BMPs.
  12. **Maintain Protective BMPs:** Protection measures shall be maintained to ensure continued performance of their intended function, to prevent adverse impacts to existing BMPs/facilities and areas of proposed BMPs/facilities, and protect other disturbed areas of the project.
  13. **Manage the Project:** Coordination and timing of site development activities relative to ESC concerns, and timely inspection, maintenance and update of protective measures are necessary to effectively manage the project and ensure the success of protective ESC and SWPPS design and implementation.

### D.2.1.1 CLEARING LIMITS

Prior to any site clearing or grading, those areas that are to remain undisturbed during project construction shall be delineated. At a minimum, clearing limits shall be installed at the edges of all critical area buffers and any other areas required to be left uncleared such as portions of the site subject to clearing limits under RMC 4-4-060, areas around significant trees identified to be retained, on-site BMP areas to be protected, and other areas identified to be left undisturbed to protect sensitive features.

**Purpose:** The purpose of clearing limits is to prevent disturbance of those areas of the project site that are not designated for clearing or grading. This is important because limiting site disturbance is the single most effective method for reducing erosion. Clearing limits may also be used to control construction traffic, thus reducing the disturbance of soil and limiting the amount of sediment tracked off site.

**When to Install:** Clearing limits shall be installed prior to the clearing and/or grading of the site.

**Measures to Use:** Marking clearing limits by delineating the site with a continuous length of brightly colored survey tape is sometimes sufficient. The tape may be supported by vegetation or stakes, and it shall be 3 to 6 feet high and highly visible. Critical areas and their buffers require more substantial protection and shall be delineated with plastic or metal safety fences or stake and wire fences. Fencing may be required at the City's discretion to control construction traffic or at any location where greater protection is warranted. Permanent fencing may also be used if desired by the applicant. Silt fence, in combination with survey flagging, is also an acceptable method of marking critical areas and their buffers.

#### D.2.1.1.1 PLASTIC OR METAL FENCE

Code: FE Symbol:



##### Purpose

Fencing is intended to (1) restrict clearing to approved limits; (2) prevent disturbance of critical areas, their buffers, and other areas required to be left undisturbed; (3) limit construction traffic to designated construction entrances or roads; and (4) protect areas where marking with survey tape may not provide adequate protection.

### Conditions of Use

To establish clearing limits, plastic or metal fence may be used:

1. At the boundary of critical areas, their buffers, and other areas required to be left uncleared.
2. As necessary to control vehicle access to and on the site (see Sections D.2.1.4.1 and D.2.1.4.2).

### Design and Installation Specifications

1. The fence shall be designed and installed according to the manufacturer's specifications.
2. The fence shall be at least 3 feet high and must be highly visible.
3. The fence shall not be wired or stapled to trees.

### Maintenance Requirements

1. If the fence has been damaged or visibility reduced, it shall be repaired or replaced immediately and visibility restored.
2. Disturbance of a critical area, critical area buffer, native growth retention area, or any other area required to be left undisturbed shall be reported to the City for resolution.

## D.2.1.2 COVER MEASURES

Temporary and permanent cover measures shall be provided to protect all disturbed areas, including the faces of cut and fill slopes. Temporary cover shall be installed if an area is to remain unworked for more than seven days during the dry season (May 1 to September 30) or for more than two consecutive working days during the wet season (October 1 to April 30). These time limits may be relaxed if an area poses a low risk of erosion due to soil type, slope gradient, anticipated weather conditions, or other factors. Conversely, the City may reduce these time limits if site conditions warrant greater protection (e.g., adjacent to significant aquatic resources or highly erosive soils) or if significant precipitation (see Section D.2.4.2) is expected. Any area to remain unworked for more than 30 days shall be seeded or sodded, unless the City determines that winter weather makes vegetation establishment infeasible. During the wet season, slopes and stockpiles at 3H:1V or steeper and with more than ten feet of vertical relief shall be covered if they are to remain unworked for more than 12 hours. Also during the wet season, the material necessary to cover all disturbed areas must be stockpiled on site. The intent of these cover requirements is to have as much area as possible covered during any period of precipitation.

**Purpose:** The purpose of covering exposed soils is to prevent erosion, thus reducing reliance on less effective methods that remove sediment after it is entrained in runoff. Cover is the only practical method of reducing turbidity in runoff. Structural measures, such as silt fences and sediment ponds, are only capable of removing coarse particles and in most circumstances have little to no effect on turbidity.

**When to Install:** Any exposed soils that will remain unworked for more than the time limit set above shall be covered by the end of the working day. If the exposed area is to remain unworked for more than 30 days, the area shall be seeded with the temporary seed mix or an equivalent mix that will provide rapid protection (see Section D.2.1.2.6). If the disturbed area is to remain unworked for a year or more or if the area has reached final grade, permanent seed mix or an equivalent mix shall be applied.

**Measures to Use:** Cover methods include the use of surface roughening, mulch, erosion control nets and blankets, plastic covering, seeding, and sodding. Mulch and plastic sheeting are primarily intended to protect disturbed areas for a short period of time, typically days to a few months. Seeding and sodding are measures for areas that are to remain unworked for months. Erosion nets and blankets are to be used in conjunction with seeding steep slopes. The choice of measures is left to the designer; however, there are restrictions on the use of these methods, which are listed in the "Conditions of Use" and the "Design and Installation Specifications" sections for each measure.

The methods listed are by no means exhaustive. Variations on the standards presented here are encouraged if other cost-effective products or methods provide substantially equivalent or superior performance. Also,

the details of installation can, and should, vary with the site conditions. A useful reference on the application of cover measures in the Puget Sound area is *Improving the Cost Effectiveness of Highway Construction Site Erosion and Pollution Control*, Horner, Guedry, and Korten Hof (1990).

### D.2.1.2.1 SURFACE ROUGHENING

#### Purpose

The purpose of surface roughening is to aid in the establishment of vegetative cover and to reduce runoff velocity, increase infiltration, and provide for sediment trapping through the provision of a rough soil surface. The rough soil surface may be created by operating a tiller or other equipment on the contour to form horizontal depressions or by leaving slopes in a roughened condition by not fine grading.

#### Conditions of Use

1. All slopes steeper than 3H:1V and greater than 5 vertical feet require surface roughening.
2. Areas with grades steeper than 3H:1V should be roughened to a depth of 2 to 4 inches prior to seeding.
3. Areas that will not be stabilized immediately may be roughened to reduce runoff velocity until seeding takes place.
4. Slopes with a stable rock face do not require roughening.
5. Slopes where mowing is planned should not be excessively roughened.

#### Design and Installation Specifications

There are different methods for achieving a roughened soil surface on a slope, and the selection of an appropriate method depends upon the type of slope. Roughening methods include stair-step grading, grooving, contour furrows, and tracking. See Figure D.2.1.2.A for information on tracking and contour furrows. Factors to be considered in choosing a method are slope steepness, mowing requirements, and whether the slope is formed by cutting or filling. Sole reliance on roughening for temporary erosion control is of limited effectiveness in intense rainfall events. Stair-step grading may not be practical for sandy, steep, or shallow soils.

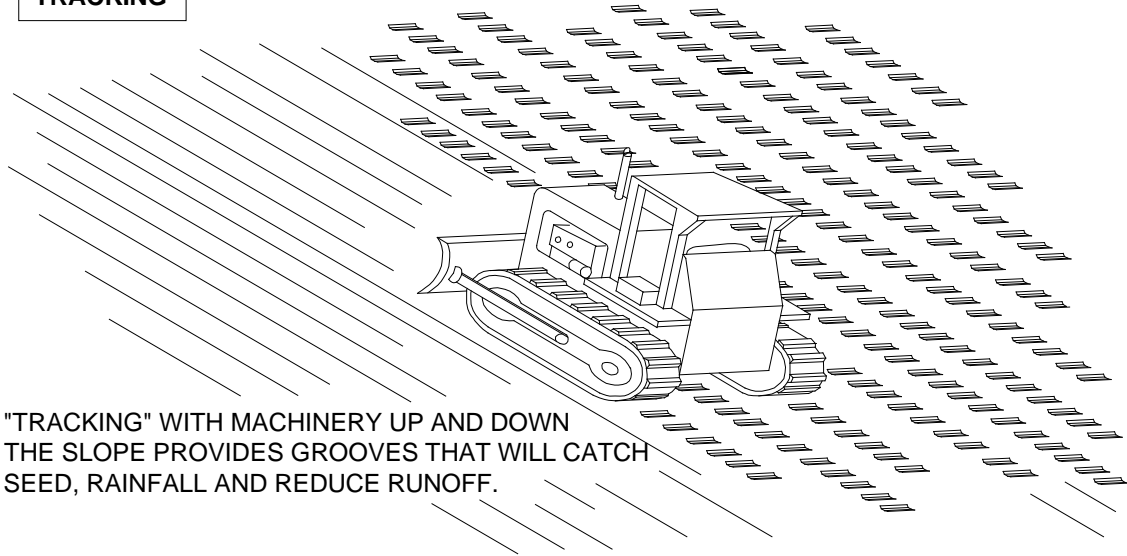
1. Disturbed areas that will not require mowing may be stair-step graded, grooved, or left rough after filling
2. Stair Step grading is particularly appropriate in soils containing large amounts of soft rock. Each “step” catches material that sloughs from above, and provides a level site where vegetation can become established. Stairs should be wide enough to work with standard earth moving equipment. Stair steps must be on contour or gullies will form on the slope.
3. Areas that will be mowed (slopes less steep than 3H:1V) may have small furrows left by disking, harrowing, raking, or seed-planting machinery operated on the contour.
4. Graded areas with slopes greater than 3H:1V but less than 2H:1V should be roughened before seeding. This can be accomplished in a variety of ways, including “track walking” or driving a crawler tractor up and down the slope, leaving a pattern of cleat imprints parallel to slope contours.
5. Tracking is done by operating equipment up and down the slope to leave horizontal depressions in the soil.

#### Maintenance Standards

Periodically check roughened, seeded, planted, and mulched slopes for rills and gullies, particularly after a significant storm event. Fill these areas slightly above the original grade, then re-seed and mulch as soon as possible.

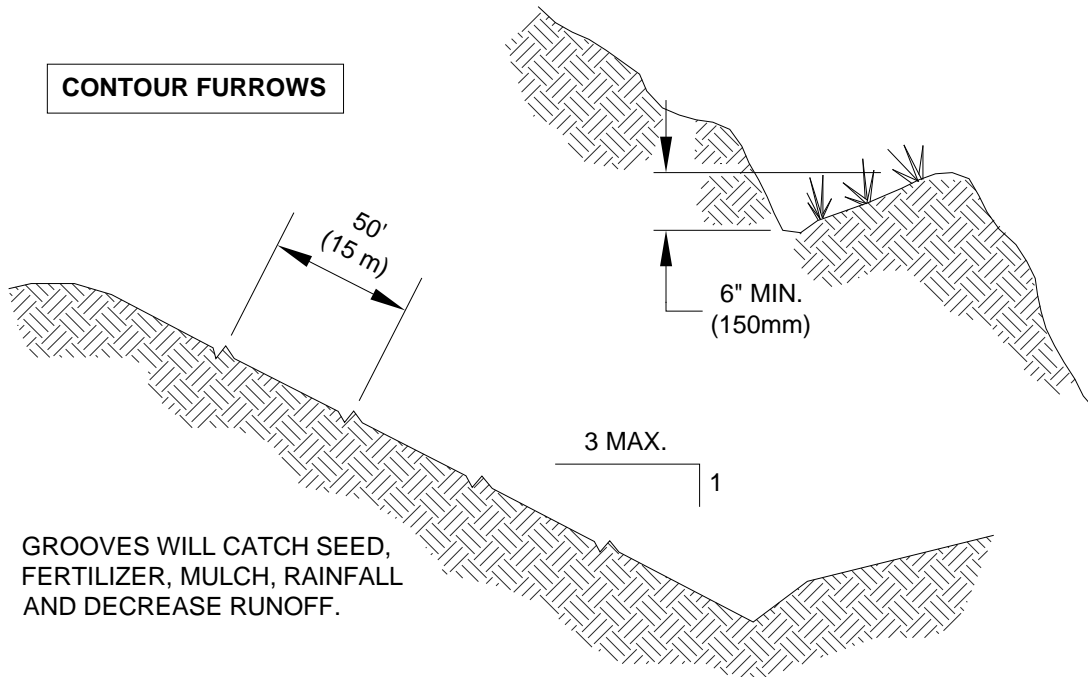
**FIGURE D.2.1.2.A SURFACE ROUGHENING**

**TRACKING**



"TRACKING" WITH MACHINERY UP AND DOWN THE SLOPE PROVIDES GROOVES THAT WILL CATCH SEED, RAINFALL AND REDUCE RUNOFF.

**CONTOUR FURROWS**



GROOVES WILL CATCH SEED, FERTILIZER, MULCH, RAINFALL AND DECREASE RUNOFF.

**SURFACE ROUGHENING BY TRACKING AND CONTOUR FURROWS**

NTS



### D.2.1.2.2 MULCHING

Code: MU

Symbol:



#### Purpose

The purpose of mulching soils is to provide immediate temporary protection from erosion. Mulch also enhances plant establishment by conserving moisture, holding fertilizer, seed, and topsoil in place, and moderating soil temperatures. There is an enormous variety of mulches that may be used. Only the most common types are discussed in this section.

#### Conditions of Use

As a temporary cover measure, mulch should be used:

1. On disturbed areas that require cover measures for less than 30 days
2. As a cover for seed during the wet season and during the hot summer months
3. During the wet season on slopes steeper than 3H:1V with more than 10 feet of vertical relief.

#### Design and Installation Specifications

For mulch materials, application rates, and specifications, see Table D.2.1.2.A. *Note: Thicknesses may be increased for disturbed areas in or near critical areas or other areas highly susceptible to erosion.*

#### Maintenance Standards

1. The thickness of the cover must be maintained.
2. Any areas that experience erosion shall be remulched and/or protected with a net or blanket. If the erosion problem is drainage related, then the drainage problem shall be assessed and alternate drainage such as interceptor swales may be needed to fix the problem and the eroded area remulched.

TABLE D.2.1.2.A MULCH STANDARDS AND GUIDELINES

Mulch Material	Quality Standards	Application Rates	Remarks
Straw	Air-dried; free from undesirable seed and coarse material	2"–3" thick; 5 bales per 1,000 sf or 2–3 tons per acre	Cost-effective protection when applied with adequate thickness. Hand-application generally requires greater thickness than blown straw. Straw should be crimped to avoid wind blow. The thickness of straw may be reduced by half when used in conjunction with seeding.
Wood Fiber Cellulose	No growth inhibiting factors	Approx. 25–30 lbs per 1,000 sf or 1,500–2,000 lbs per acre	Shall be applied with hydromulcher. Shall not be used without seed and tackifier unless the application rate is at least doubled. Some wood fiber with very long fibers can be effective at lower application rates and without seed or tackifier.
Compost	No visible water or dust during handling. Must be purchased from supplier with Solid Waste Handling Permit.	2" thick min.; approx. 100 tons per acre (approx. 1.5 cubic feet per square yard)	More effective control can be obtained by increasing thickness to 3" (2.25 cubic feet per square yard). Excellent mulch for protecting final grades until landscaping because it can be directly seeded or tilled into soil as an amendment. Compost may not be used in Sensitive Lake <sup>7</sup> basins unless analysis of the compost shows no phosphorous release.
Hydraulic Matrices (Bonded Fiber Matrix [BFM])	This mulch category includes hydraulic slurries composed of wood fiber, paper fiber or a combination of the two held together by a binding system. The BFM shall be a mixture of long wood fibers and various bonding agents.	Apply at rates from 3,000 lbs per acre to 4,000 lbs per acre and based on manufacturers recommendations	The BFM shall not be applied immediately before, during or immediately after rainfall so that the matrix will have an opportunity to dry for 24 hours after installation. Application rates beyond 2,500 pounds may interfere with germination and are not usually recommended for turf establishment. BFM is generally a matrix where all fiber and binders are in one bag, rather than having to mix components from various manufacturers to create a matrix. BFMs can be installed via helicopter in remote areas. They are approximately \$1,000 per acre cheaper to install.
Chipped Site Vegetation	Average size shall be several inches.	2" minimum thickness	This is a cost-effective way to dispose of debris from clearing and grubbing, and it eliminates the problems associated with burning. Generally, it should not be used on slopes above approx. 10% because of its tendency to be transported by runoff. It is not recommended within 200 feet of surface waters. If seeding is expected shortly after mulch, the decomposition of the chipped vegetation may tie up nutrients important to grass establishment.

<sup>7</sup> *Sensitive lake* means a lake that has proved to be particularly prone to eutrophication; the City did not have any lakes that had this designation at the time of SWDM adoption.

### D.2.1.2.3 NETS AND BLANKETS

Code: NE

Symbol:



#### Purpose

Erosion control nets and blankets are intended to prevent erosion and hold seed and mulch in place on steep slopes and in channels so that vegetation can become well established. In addition, some nets and blankets can be used to permanently reinforce turf to protect drainage ways during high flows. Nets are strands of material woven into an open, but high-tensile strength net (for example, jute matting). Blankets are strands of material that are not tightly woven, but instead form a layer of interlocking fibers, typically held together by a biodegradable or photodegradable netting (for example, excelsior or straw blankets). They generally have lower tensile strength than nets, but cover the ground more completely. Coir (coconut fiber) fabric comes as both nets and blankets.

#### Conditions of Use

Erosion control nets and blankets should be used:

1. For permanent stabilization of slopes 2H:1V or greater and with more than 10 feet of vertical relief.
2. In conjunction with seed for final stabilization of a slope, not for temporary cover. However, they may be used for temporary applications as long as the product is not damaged by repeated handling. In fact, this method of slope protection is superior to plastic sheeting, which generates high-velocity runoff (see Section D.2.1.2.4).
3. For drainage ditches and swales (highly recommended). The application of appropriate netting or blanket to drainage ditches and swales can protect bare soil from channelized runoff while vegetation is established. Nets and blankets also can capture a great deal of sediment due to their open, porous structure. Synthetic nets and blankets may be used to permanently stabilize channels and may provide a cost-effective, environmentally preferable alternative to riprap.

#### Design and Installation Specifications

1. See Figure D.2.1.2.B and Figure D.2.1.2.C for **typical orientation and installation** of nettings and blankets. *Note: Installation is critical to the effectiveness of these products. If good ground contact is not achieved, runoff can concentrate under the product, resulting in significant erosion.*
2. With the variety of products available, it is impossible to cover all the details of appropriate use and installation. Therefore, it is critical that the design engineer thoroughly consults the **manufacturer's information** and that a site visit takes place in order to ensure that the product specified is appropriate.
3. Jute matting must be used in conjunction with mulch (Section D.2.1.2.2). Excelsior, woven straw blankets, and coir (coconut fiber) blankets may be installed without mulch. There are many other types of **erosion control nets and blankets** on the market that may be appropriate in certain circumstances. Other types of products will have to be evaluated individually. In general, most nets (e.g., jute matting) require mulch in order to prevent erosion because they have a fairly open structure. Blankets typically do not require mulch because they usually provide complete protection of the surface.
4. Purely synthetic blankets are allowed but shall only be used for long-term stabilization of waterways. The organic blankets authorized above are better for slope protection and short-term waterway protection because they retain moisture and provide organic matter to the soil, substantially improving the speed and success of re-vegetation.

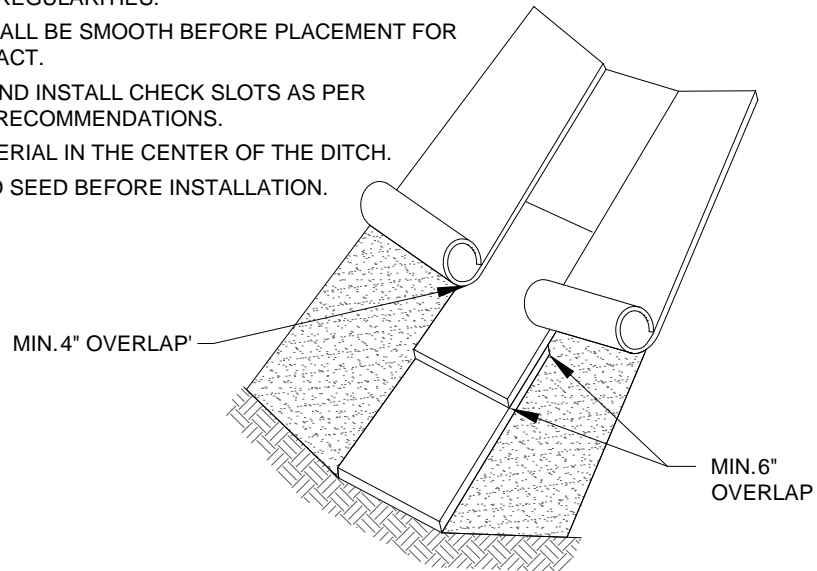
#### Maintenance Standards

1. Good contact with the ground must be maintained, and there must not be erosion beneath the net or blanket.

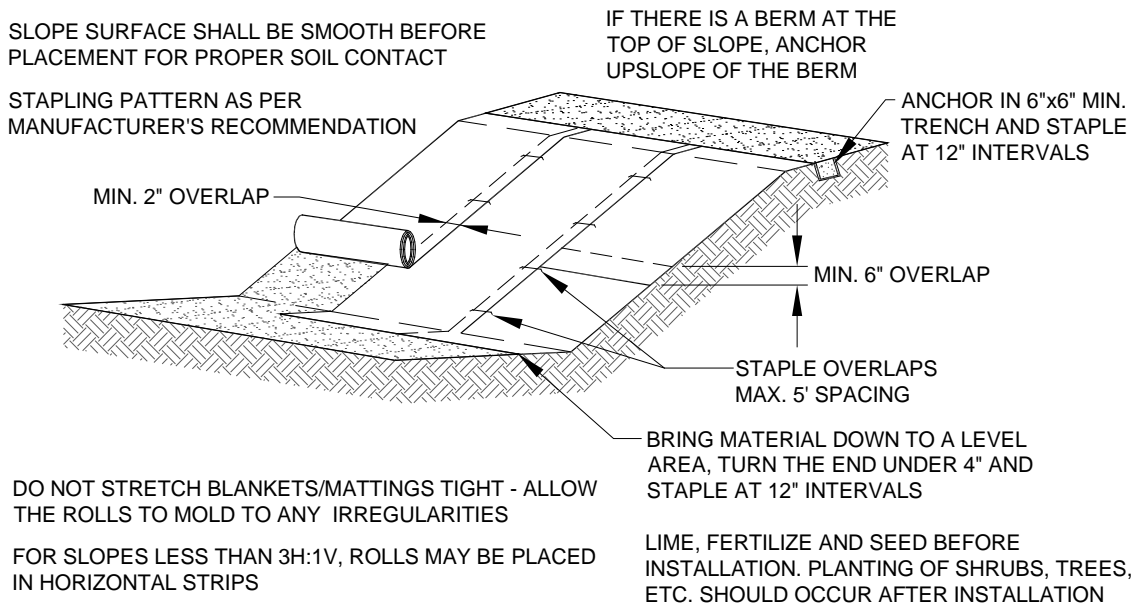
2. Any areas of the net or blanket that are damaged or not in close contact with the ground shall be repaired and stapled.
3. If erosion occurs due to poorly controlled drainage, the problem shall be fixed and the eroded area protected.

**FIGURE D.2.1.2.B WATERWAY INSTALLATION**

- DO NOT STRETCH BLANKETS/MATTINGS TIGHT - ALLOW THE ROLLS TO MOLD TO ANY IRREGULARITIES.
- SLOPE SURFACE SHALL BE SMOOTH BEFORE PLACEMENT FOR PROPER SOIL CONTACT.
- ANCHOR, STAPLE, AND INSTALL CHECK SLOTS AS PER MANUFACTURER'S RECOMMENDATIONS.
- AVOID JOINING MATERIAL IN THE CENTER OF THE DITCH.
- LIME, FERTILIZE AND SEED BEFORE INSTALLATION.



**FIGURE D.2.1.2.C SLOPE INSTALLATION**



### D.2.1.2.4 PLASTIC COVERING

Code: PC

Symbol:



#### Purpose

Plastic covering provides immediate, short-term erosion protection to slopes and disturbed areas.

#### Conditions of Use

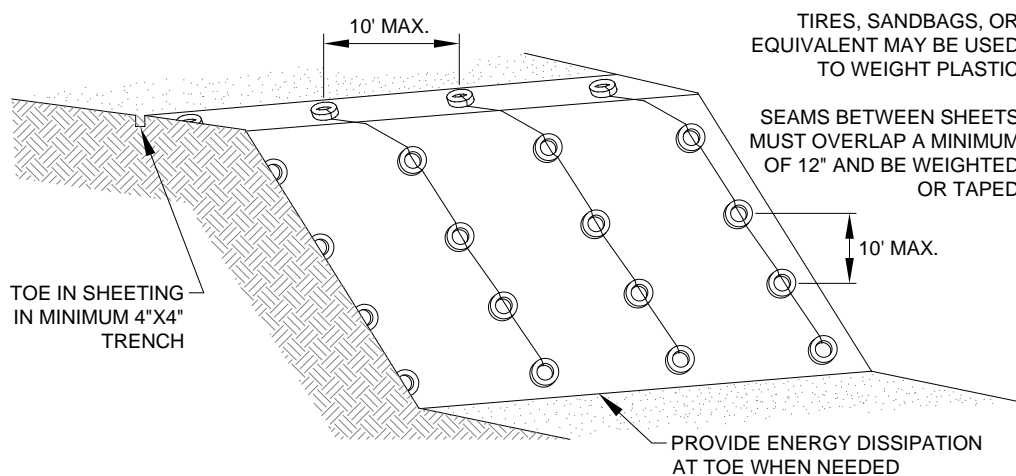
1. Plastic covering may be used on disturbed areas that require cover measures for less than 30 days.
2. Plastic is particularly useful for protecting cut and fill slopes and stockpiles. *Note: The relatively rapid breakdown of most polyethylene sheeting makes it unsuitable for long-term applications.*
3. Clear plastic sheeting may be used over newly-seeded areas to create a greenhouse effect and encourage grass growth. Clear plastic should not be used for this purpose during the summer months because the resulting high temperatures can kill the grass.
4. Due to rapid runoff caused by plastic sheeting, this method shall not be used upslope of areas that might be adversely impacted by concentrated runoff. Such areas include steep and/or unstable slopes.

*Note: There have been many problems with plastic, usually attributable to poor installation and maintenance. However, the material itself can cause problems, even when correctly installed and maintained, because it generates high-velocity runoff and breaks down quickly due to ultraviolet radiation. In addition, if the plastic is not completely removed, it can clog drainage system inlets and outlets. It is highly recommended that alternatives to plastic sheeting be used whenever possible and that its use be limited.*

#### Design and Installation Specifications

1. See Figure D.2.1.2.D for details.
2. Plastic sheeting shall have a minimum thickness of 0.06 millimeters.
3. If erosion at the toe of a slope is likely, a gravel berm, riprap, or other suitable protection shall be installed at the toe of the slope in order to reduce the velocity of runoff.

**FIGURE D.2.1.2.D PLASTIC COVERING**



### Maintenance Standards for Plastic Covering

1. Torn sheets must be replaced and open seams repaired.
2. If the plastic begins to deteriorate due to ultraviolet radiation, it must be completely removed and replaced.
3. When the plastic is no longer needed, it shall be completely removed.

#### D.2.1.2.5 STRAW WATTLES

Code: SW



#### Purpose

Wattles are erosion and sediment control barriers consisting of straw wrapped in biodegradable tubular plastic or similar encasing material. Wattles may reduce the velocity and can spread the flow of rill and sheet runoff, and can capture and retain sediment. Straw wattles are typically 8 to 10 inches in diameter and 25 to 30 feet in length. The wattles are placed in shallow trenches and staked along the contour of disturbed or newly constructed slopes.

#### Conditions of Use

1. Install on disturbed areas that require immediate erosion protection.
2. Use on slopes requiring stabilization until permanent vegetation can be established.
3. Can be used along the perimeter of a project, as a check dam in unlined ditches and around temporary stockpiles
4. Wattles can be staked to the ground using willow cuttings for added revegetation.
5. Rilling can occur beneath and between wattles if not properly entrenched, allowing water to pass below and between wattles

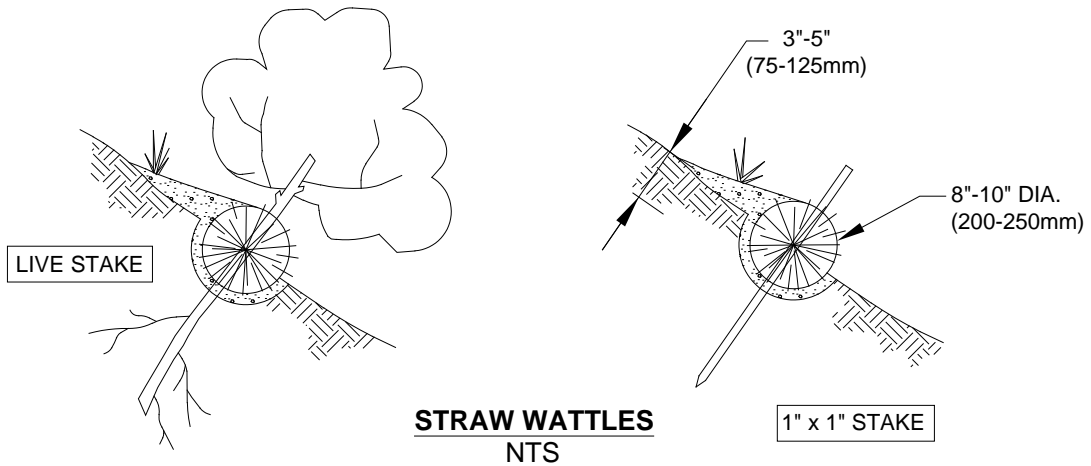
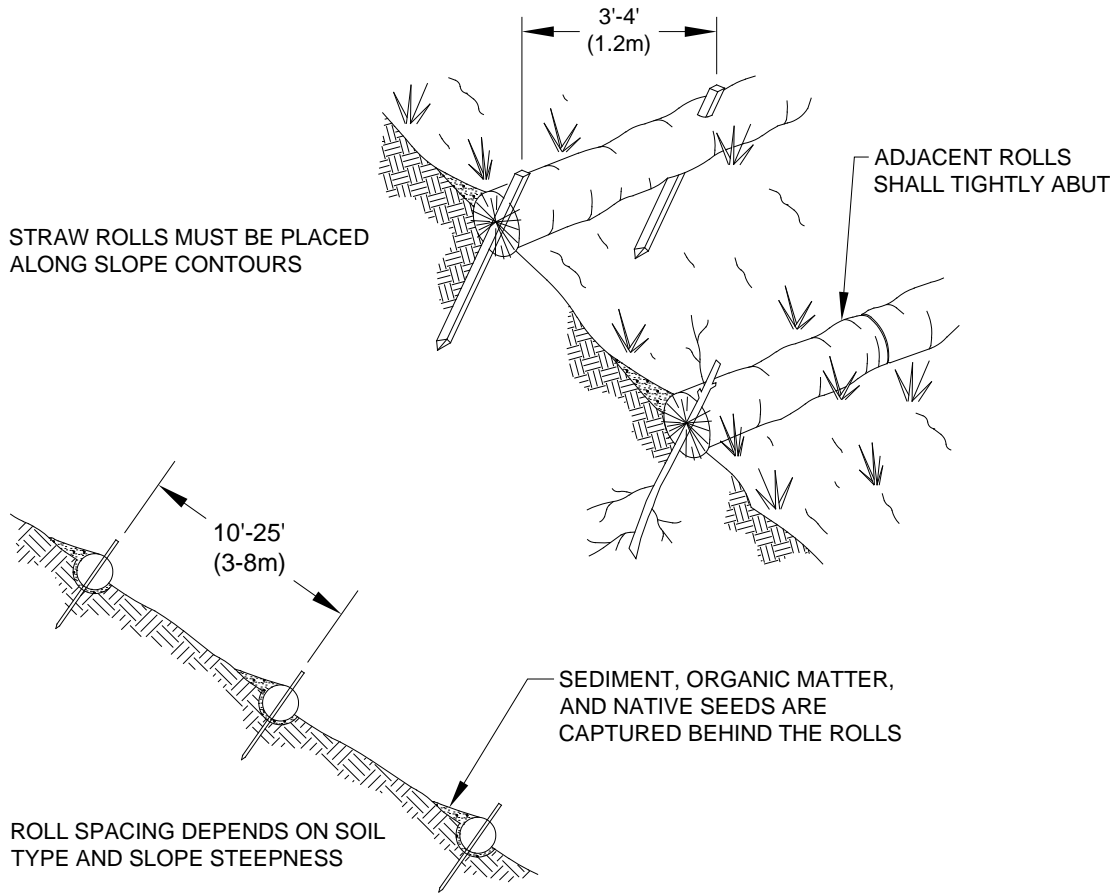
#### Design and Installation Specifications

1. It is critical that wattles are installed perpendicular to the flow direction and parallel to the slope contour.
2. Narrow trenches should be dug across the slope, on contour, to a depth of 3 to 5 inches on clay soils and soils with gradual slopes. On loose soils, steep slopes, and during high rainfall events, the trenches should be dug to a depth of 5 to 7 inches, or  $\frac{1}{2}$  to  $\frac{2}{3}$  of the thickness of the wattle.
3. Start construction of trenches and installing wattles from the base of the slope and work uphill. Excavated material should be spread evenly along the uphill slope and compacted using hand tamping or other method. Construct trenches at contour intervals of 3 to 30 feet apart depending on the steepness of the slope, soil type, and rainfall. The steeper the slope the closer together the trenches should be constructed.
4. Install the wattles snugly into the trenches and abut tightly end to end. Do not overlap the ends.
5. Install stakes at each end of the wattle, and at 4 foot centers along the entire length of the wattle.
6. If required, install pilot holes for the stakes using a straight bar to drive holes through the wattle and into the soil.
7. At a minimum, wooden stakes should be approximately  $\frac{3}{4}$  x  $\frac{3}{4}$  x 24 inches. Willow cuttings or  $\frac{3}{8}$  inch rebar can also be used for stakes.
8. Stakes should be driven through the middle of the wattle, leaving 2 to 3 inches of the stake protruding above the wattle.

**Maintenance Standards**

1. Inspect wattles prior to forecasted rain, daily during extended rain events, after rain events, weekly during the wet season, and at two week intervals at all other times of the year.
2. Repair or replace split, torn, raveling, or slumping wattles
3. Remove sediment accumulations when exceeding  $\frac{1}{2}$  the height between the top of the wattle and the ground surface.

**FIGURE D.2.1.2.E STRAW WATTLES**



**NOTES:**

1. STRAW ROLL INSTALLATION REQUIRES THE PLACEMENT AND SECURE STAKING OF THE ROLL IN A TRENCH, 3" x 5" (75-125mm) DEEP, DUG ON CONTOUR.
2. RUNOFF MUST NOT BE ALLOWED TO RUN UNDER OR AROUND ROLL.



### D.2.1.2.6 TEMPORARY AND PERMANENT SEEDING

Code: SE

Symbol:



#### Purpose

Seeding is intended to reduce erosion by stabilizing exposed soils. A well-established vegetative cover is one of the most effective methods of reducing erosion.

#### Conditions of Use

1. Seeding shall be used throughout the project on **disturbed areas** that have reached final grade or that will remain unworked for more than 30 days.
2. **Vegetation-lined channels** shall be seeded. Channels that will be vegetated should be installed before major earthwork and hydroseeded or covered with a Bonded Fiber Matrix (BFM).
3. **Retention/detention ponds** shall be seeded as required.
4. At the City's discretion, seeding without mulch during the **dry season** is allowed even though it will take more than seven days to develop an effective cover. Mulch is, however, recommended at all times because it protects seeds from heat, moisture loss, and transport due to runoff.
5. Prior to the beginning of the **wet season**, all disturbed areas shall be reviewed to identify which ones can be seeded in preparation for the winter rains (see Section D.2.4.2). Disturbed areas shall be seeded within one week of the beginning of the wet season. A sketch map of those areas to be seeded and those areas to remain uncovered shall be submitted to the CED inspector. The CED inspector may require seeding of additional areas in order to protect surface waters, adjacent properties, or drainage facilities.
6. At final site stabilization, all disturbed areas not otherwise vegetated or stabilized shall be seeded and mulched (see Section D.2.4.5).

#### Design and Installation Specifications

1. The best **time to seed** is fall (late September to October) or in spring (mid-March to June). **Irrigation** is required during the first summer following installation if seeding occurs in spring or summer or during prolonged dry times of year. Areas may also be seeded during the winter months, but it may take additional spring seeding applications to develop a dense groundcover due to cold temperatures. The application and maintenance of mulch is critical for winter seeding.
2. To prevent seed from being washed away, confirm that **all required surface water control measures** have been installed.
3. The **seedbed** should not be compacted because soils that are well compacted will not vegetate as quickly or thoroughly. Slopes steeper than 3H:1V shall be surface roughened. Roughening can be accomplished in a variety of ways, but the typical method is track walking, or driving a crawling tractor up and down the slope, leaving cleat imprints parallel to the slope contours.
4. In general, 10-20-20 N-P-K (nitrogen-phosphorus-potassium) **fertilizer** may be used at a rate of 90 pounds per acre. Slow-release fertilizers are preferred because they are more efficient and have fewer environmental impacts. It is recommended that areas being seeded for final landscaping conduct soil tests to determine the exact type and quantity of fertilizer needed. This will prevent the over-application of fertilizer. Disturbed areas within 200 feet of water bodies and wetlands must use slow-release low-phosphorus fertilizer (typical proportions 3-1-2 N-P-K).
5. The following requirements apply to **mulching**:
  - a) Mulch is always required for seeding slopes greater than 3H:1V (see Section D.2.1.2.2).
  - b) If seeding during the wet season, mulch is required.

- c) The use of mulch may be required during the dry season at the City's discretion if grass growth is expected to be slow, the soils are highly erodible due to soil type or gradient, there is a water body close to the disturbed area, or significant precipitation (see Section D.2.4.2) is anticipated before the grass will provide effective cover.
- d) Mulch may be applied on top of the seed or simultaneously by hydroseeding.
6. **Hydroseeding** is allowed as long as tackifier is included. Hydroseeding with wood fiber mulch is adequate during the dry season. Application of hydroseeded wood fiber mulch should be appropriate for slope angle. Follow manufacturer specifications for application rates.
7. Areas to be permanently landscaped shall use **soil amendments**. Good quality topsoil shall be tilled into the top six inches to reduce the need for fertilizer and improve the overall soil quality. Most native soils will require the addition of four inches of well-rotted compost to be tilled into the soil to provide a good quality topsoil. Compost used should meet specifications provided in Reference Section 11-C of the *SWDM*.
8. The **seed mixes** listed below include recommended mixes for both temporary and permanent seeding. These mixes, with the exception of the wetland mix, shall be applied at a rate of 80 to 100 seeds per square foot. Wet sites should apply 120 to 150 seeds per square foot. Local suppliers should be consulted for information on current Pure Live Seed (PLS) rates and species specific seeds per pound in order to determine seed mix PLS pounds of seed per acre. The appropriate mix depends on a variety of factors, including exposure, soil type, slope, and expected foot traffic. Alternative seed mixes approved by the City may be used.

Table D.2.1.2.B presents the standard mix for those areas where a temporary or permanent vegetative cover is required. The following mix assumes a desired 150 seeds per square foot and should be applied at approximately 37 pounds of pure live seed per acre.

TABLE D.2.1.2.B EROSION CONTROL SEED MIX			
Common Name/Latin Name	% Species Composition	Desired Seeds per Square Foot	PLS Pounds/Acre
Spike bentgrass/ <i>Agrostis exarata</i>	6	9	0.1
California brome/ <i>Bromus carinatus</i>	15	23	9.8
Tufted hairgrass/ <i>Deschampsia cespitosa</i>	15	23	0.4
Blue wildrye/ <i>Elymus glaucus</i>	18	27	10.7
California oatgrass/ <i>Danthonia californica</i>	18	27	5.6
Native red fescue/ <i>Festuca rubra</i> var. <i>rubra</i>	18	27	2.4
Meadow barley/ <i>Hordeum brachyantherum</i>	10	15	7.7

Table D.2.1.2.C provides just one recommended possibility for landscaping seed. It assumes a desired 100 seeds per square foot and should be applied at 12 pounds of pure live seed per acre.

TABLE D.2.1.2.C LANDSCAPING SEED MIX			
Common Name/Latin Name	% Species Composition	Desired Seeds per Square Foot	PLS Pounds/Acre
Sideoats grama/ <i>Bouteloua curtipendula</i>	20	30	6.8
California oatgrass/ <i>Danthonia californica</i>	20	30	6.2
Native red fescue/ <i>Festuca rubra</i> var. <i>rubra</i>	30	45	3.9
Prairie junegrass/ <i>Koeleria macrantha</i>	30	45	0.8

This turf seed mix in Table D.2.1.2.D is for dry situations where there is no need for much water. The advantage is that this mix requires very little maintenance.

<b>TABLE D.2.1.2.D LOW-GROWING TURF SEED MIX</b>			
<b>Common Name/Latin Name</b>	<b>% Species Composition</b>	<b>Desired Seeds per Square Foot</b>	<b>PLS Pounds/Acre</b>
Hard fescue/ <i>Festuca brevipila</i>	25	20	1.5
Sheep fescue/ <i>Festuca ovina</i>	30	24	1.5
Native red fescue/ <i>Festuca rubra</i> var. <i>rubra</i>	25	20	1.7
Prairie junegrass/ <i>Koeleria macrantha</i>	20	16	0.3

Table D.2.1.2.E presents a mix recommended for bioswales and other intermittently wet areas. The mix assumes a desired 150 seeds per square foot and approximately 29 pounds of pure live seed per acre. Sod shall generally not be used for bioswales because the seed mix is inappropriate for this application. Sod may be used for lining ditches to prevent erosion, but it will provide little water quality benefit during the wet season.

<b>TABLE D.2.1.2.E BIOSWALE SEED MIX</b>			
<b>Common Name/Latin Name</b>	<b>% Species Composition</b>	<b>Desired Seeds per Square Foot</b>	<b>PLS Pounds/Acre</b>
American sloughgrass/ <i>Beckmannia syzigachne</i>	15	23	0.9
Tufted hairgrass/ <i>Deschampsia cespitosa</i>	20	30	0.5
Blue wildrye/ <i>Elymus glaucus</i>	18	27	10.7
Native red fescue/ <i>Festuca rubra</i> var. <i>rubra</i>	20	30	2.6
Meadow barley/ <i>Hordeum brachyantherum</i>	12	18	9.2
Northwestern mannagrass/ <i>Glyceria occidentalis</i>	15	23	4.9

The seed mix shown in Table D.2.1.2.F is a recommended low-growing, non-invasive seed mix appropriate for very wet areas that are not regulated wetlands (if planting in wetland areas, see Section 6.3.1 of the *SWDM*). Other mixes may be appropriate, depending on the soil type and hydrology of the area. This mixture assumes a target goal of 150 seeds per square foot and should be applied at a rate of 36 pounds per acre.

<b>TABLE D.2.1.2.F WET AREA SEED MIX*</b>			
<b>Common Name/Latin Name</b>	<b>% Species Composition</b>	<b>Desired Seeds per Square Foot</b>	<b>PLS Pounds/Acre</b>
California brome/ <i>Bromus carinatus</i>	15	23	9.8
Columbia brome/ <i>Bromus vulgaris</i>	18	27	8.1
Tufted hairgrass/ <i>Deschampsia cespitosa</i>	15	23	0.4
California oatgrass/ <i>Danthonia californica</i>	15	23	4.7
Native red fescue/ <i>Festuca rubra</i> var. <i>rubra</i>	17	26	2.2
Western manna grass/ <i>Glyceria occidentalis</i>	10	15	3.3
Meadow barley/ <i>Hordeum brachyantherum</i>	10	15	7.7

\* Modified Briargreen, Inc. Hydroseeding Guide Wetlands Seed Mix

The meadow seed mix in Table D.2.1.2.G is recommended for areas that will be maintained infrequently or not at all and where colonization by native plants is desirable. Likely applications include rural road and utility right-of-way. Seeding should take place in September or very early October in order to obtain adequate establishment prior to the winter months. This seed mix assumes a target goal of 120 seeds per square foot and an application rate of 23 pounds of pure live seed per acre.

TABLE D.2.1.2.G MEADOW SEED MIX			
Common Name/Latin Name	% Species Composition	Desired Seeds per Square Foot	PLS Pounds/Acre
Common yarrow/ <i>Achillea millefolium</i>	4	5	0.1
Pearly everlasting/ <i>Anaphalis margaritacea</i>	1	1	0.0
California brome/ <i>Bromus carinatus</i>	15	18	7.8
California oatgrass/ <i>Danthonia californica</i>	15	18	3.7
Blue wildrye/ <i>Elymus glaucus</i>	16	19	7.6
<i>Festuca idahoensis</i>	15	18	1.7
Native red fescue/ <i>Festuca rubra</i> var. <i>rubra</i>	18	22	1.9
Sickle keeled lupine/ <i>Lupinus albicaulis</i>	1	1	2.2
Fowl bluegrass/ <i>Poa palustris</i>	15	18	0.4

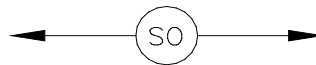
### Maintenance Standards for Temporary and Permanent Seeding

1. Any seeded areas that fail to establish at least 80 percent cover within one month shall be reseeded. If reseeding is ineffective, an alternate method, such as sodding or nets/blankets, shall be used. If winter weather prevents adequate seed establishment and growth, this time limit may be relaxed at the discretion of the City when critical areas would otherwise be protected.
2. After adequate cover is achieved, any areas that experience erosion shall be re-seeded and protected by mulch. If the erosion problem is drainage related, the problem shall be fixed and the eroded area re-seeded and protected by mulch.
3. Seeded areas shall be supplied with adequate moisture, but not watered to the extent that it causes runoff.

#### D.2.1.2.7 SODDING

Code: SO

Symbol:



#### Purpose

The purpose of sodding is to establish permanent turf for immediate erosion protection and to stabilize drainage ways where concentrated overland flow will occur.

#### Conditions of Use

Sodding may be used in the following areas:

1. Disturbed areas that require short-term or long-term cover
2. Disturbed areas that require immediate vegetative cover
3. All waterways that require vegetative lining (except biofiltration swales—the seed mix used in most sod is not appropriate for biofiltration swales). Waterways may also be seeded rather than sodded, and protected with a net or blanket (see Section D.2.1.2.3).

## Design and Installation Specifications

Sod shall be free of weeds, of uniform thickness (approximately 1-inch thick), and shall have a dense root mat for mechanical strength.

The following steps are recommended for sod installation:

1. Shape and smooth the surface to final grade in accordance with the approved grading plan.
2. Amend four inches (minimum) of well-rotted compost into the top eight inches of the soil if the organic content of the soil is less than ten percent. Compost used shall meet compost specifications per *SWDM* Reference Section 11-C.
3. Fertilize according to the supplier's recommendations. Disturbed areas within 200 feet of water bodies and wetlands must use non-phosphorus fertilizer.
4. Work lime and fertilizer 1 to 2 inches into the soil, and smooth the surface.
5. Lay strips of sod beginning at the lowest area to be sodded and perpendicular to the direction of water flow. Wedge strips securely into place. Square the ends of each strip to provide for a close, tight fit. Stagger joints at least 12 inches. Staple on slopes steeper than 3H:1V.
6. Roll the sodded area and irrigate.
7. When sodding is carried out in alternating strips or other patterns, seed the areas between the sod immediately after sodding.

## Maintenance Standards

If the grass is unhealthy, the cause shall be determined and appropriate action taken to reestablish a healthy groundcover. If it is impossible to establish a healthy groundcover due to frequent saturation, instability, or some other cause, the sod shall be removed, the area seeded with an appropriate mix, and protected with a net or blanket.

### D.2.1.2.8 POLYACRYLAMIDE FOR SOIL EROSION PROTECTION

#### Purpose

Polyacrylamide (PAM) is used on construction sites to prevent soil erosion. Applying PAM to bare soil in advance of a rain event significantly reduces erosion and controls sediment in two ways. First, PAM increases the soil's available pore volume, thus increasing infiltration through flocculation and reducing the quantity of stormwater runoff. Second, it increases flocculation of suspended particles and aids in their deposition, thus reducing stormwater runoff turbidity and improving water quality.

#### Conditions of Use

1. PAM shall not be directly applied to water or allowed to enter a water body.
2. PAM may be applied to wet soil, but dry soil is preferred due to less sediment loss.
3. PAM will work when applied to saturated soil but is not as effective as applications to dry or damp soil.
4. PAM may be applied only to the following types of bare soil areas that drain to a sediment trap or a sediment pond:
  - Staging areas
  - Stockpiles
  - Pit sites
  - Balanced cut and fill earthwork
  - Haul roads prior to placement of crushed rock surfacing
  - Compacted soil road base

5. PAM may be applied only during the following phases of construction:
  - During rough grading operations
  - After final grade and before paving or final seeding and planting
  - During a winter shut down of site work. In the case of winter shut down, or where soil will remain unworked for several months, PAM should be used together with mulch.
6. Do not use PAM on a slope that flows directly to a stream or wetland. The stormwater runoff shall pass through a sediment control measure prior to discharging to surface waters.

### **Design and Installation Specifications**

1. PAM must be applied using one of two methods of application, “preferred” or “alternative.” The specifications for these methods are described under separate headings below.
2. PAM may be applied in dissolved form with water, or it may be applied in dry, granular or powdered form. The preferred application method is the dissolved form.
3. PAM is to be applied at a maximum rate of ½ pound PAM per 1000 gallons of water per 1 acre of bare soil. Table D.2.1.2.H may be used to determine the PAM and water application rate for disturbed soil areas. Higher concentrations of PAM **do not** provide any additional effectiveness.
4. Do not add PAM to water discharging from the site.
5. PAM shall be used in conjunction with other ESC measures and not in place of them. When the total drainage area is greater than or equal to 3 acres, PAM treated areas shall drain to a sediment pond per Section D.2.1.5.2. For drainage areas less than 3 acres, PAM treated areas must drain to a sediment trap per Section D.2.1.5.1. Other normally required sediment control measures such as perimeter protection measures (Section D.2.1.3) and surface water collection measures (Section D.2.1.6) shall be applied to PAM treated areas.
6. All areas not being actively worked shall be covered and protected from rainfall. PAM shall not be the only cover BMP used.
7. Keep the granular PAM supply out of the sun. Granular PAM loses its effectiveness in three months after exposure to sunlight and air.
8. Care must be taken to prevent spills of PAM powder onto paved surfaces. PAM, combined with water, is very slippery and can be a safety hazard. During an application of PAM, prevent over-spray from reaching pavement as the pavement will become slippery. If PAM powder gets on skin or clothing, wipe it off with a rough towel rather than washing with water. Washing with water only makes cleanup more difficult, messier, and time consuming.
9. The specific PAM copolymer formulation must be anionic. Cationic PAM shall not be used in any application because of known aquatic toxicity concerns. Only the highest drinking water grade PAM, certified for compliance with ANSI/NSF Standard 60 for drinking water treatment, may be used for soil applications. The Washington State Department of Transportation (WSDOT) lists approved PAM products on their web page. All PAM use shall be reviewed and approved by CED.
10. The PAM anionic charge density may vary from 2 to 30 percent; a value of 18 percent is typical. Studies conducted by the United States Department of Agriculture (USDA)/ARS demonstrated that soil stabilization was optimized by using very high molecular weight (12 to 15 mg/mole), highly anionic (>20% hydrolysis) PAM.
11. PAM must be “water soluble” or “linear” or “non-cross-linked.” Cross-linked or water absorbent PAM, polymerized in highly acidic (pH<2) conditions, are used to maintain soil moisture content.

<b>TABLE D.2.1.2.H PAM AND WATER APPLICATION RATES</b>		
<b>Disturbed Area (ac)</b>	<b>PAM (lbs)</b>	<b>Water (gal)</b>
0.50	0.25	500
1.00	0.50	1,000
1.50	0.75	1,500
2.00	1.00	2,000
2.50	1.25	2,500
3.00	1.50	3,000
3.50	1.75	3,500
4.00	2.00	4,000
4.50	2.25	4,500
5.00	2.50	5,000

### Preferred Application Method

1. Pre-measure the area where PAM is to be applied and calculate the amount of product and water necessary to provide coverage at the specified application rate (1/2 pound PAM/1,000 gallons/acre).
2. Dissolve pre-measured dry granular PAM with a known quantity of clean water in a bucket several hours or overnight. PAM has infinite solubility in water, but dissolves very slowly. Mechanical mixing will help dissolve PAM. Always add PAM to water – not water to PAM.
3. Pre-fill the water truck about 1/8 full with water. The water does not have to be potable, but it must have relatively low turbidity – in the range of 20 NTU or less.
4. Add PAM/Water mixture to the truck.
5. Completely fill the water truck to specified volume.
6. Spray PAM/Water mixture onto dry soil until the soil surface is uniformly and completely wetted.

### Alternate Application Method

PAM may also be applied as a powder at the rate of 5 pounds per acre. This must be applied on a day that is dry. For areas less than 5 to 10 acres, a hand-held “organ grinder” fertilized spreader set to the smallest setting will work. Tractor mounted spreaders will work for larger areas.

### Maintenance Standards

1. PAM may be reapplied on actively worked areas after a 48-hour period
2. Reapplication is not required unless PAM treated soil is disturbed or unless turbidity levels show the need for an additional application. If PAM treated soil is left undisturbed, a reapplication may be necessary after two months. More PAM applications may be required for steep slopes, silty and clay soils, (USDA classification Type “C” and “D” soils), long grades, and high precipitation areas. When PAM is applied first to bare soil and then covered with straw, a reapplication may not be necessary for several months.

### D.2.1.2.9 COMPOST BLANKETS

Code: COBL

Symbol:



#### Purpose

Compost blankets are intended to:

- Provide immediate temporary protection from erosion by protecting soil from rainfall and slowing flow velocity over the soil surface.
- Enhance temporary or permanent plant establishment by conserving moisture, holding seed and topsoil in place, providing nutrients and soil microorganisms, and moderating soil temperatures.
- Compost blankets, applied at the proper thickness and tilled into the soil, are also an option for amending soils for permanent landscaping.
- Compost generally releases and adds phosphorous to stormwater. Therefore, compost blankets are not recommended for use in watersheds where phosphorous sensitive water resources are located. Unless prior approval is given by the City, they should not be used in Sensitive Lake Watersheds.

### **Conditions of Use**

1. Compost blankets may be used unseeded on disturbed areas that require temporary cover measures up to 1 year. Compost applied as temporary cover may be reclaimed and re-used for permanent cover.
2. Compost provides cover for protecting final grades until landscaping can be completed as it can be directly seeded or tilled into soil as an amendment.
3. Compost blankets meet mulch requirements for seed.
4. Seed may be applied to a compost blanket at any time for permanent or temporary stabilization of disturbed areas. Seed may be applied prior to blanket application, on top of blankets, or injected and mixed into the compost as it is applied.
5. Compost blankets may be applied on slopes up to 2H:1V.

### **Design and Installation Specifications**

1. Compost shall be applied at a minimum of 2 inches thick, unless otherwise directed by an ESC supervisor or the City. At an application of 2 inches, this will equal approximately 100 tons per acre (compost generally weighs approximately 800 lbs per cubic yard). Thickness shall be increased at the direction of the design engineer for disturbed areas in or near critical areas or other areas highly susceptible to erosion.
2. Compost shall meet criteria in Reference Section 11-C of the *SWDM*.
3. Compost shall be obtained from a supplier meeting the requirements in Reference Section 11-C.
4. Compost blankets shall be applied over the top of the slope to which it is applied, to prevent water from running under the blanket
5. Compost blankets shall not be used in areas exposed to concentrated flow (e.g., channels, ditches, dikes)

### **Maintenance Standards**

1. The specified thickness of the blanket/cover must be maintained.
2. Any areas that show signs of erosion must be re-mulched. If the erosion problem is drainage related, then the drainage problem must first be remedied and then the eroded area re-mulched.

## **D.2.1.3 PERIMETER PROTECTION**

Perimeter protection to filter sediment from sheetwash shall be located downslope of all disturbed areas and shall be installed prior to upslope grading. Perimeter protection includes the use of vegetated strips as well as, constructed measures, such as silt fences, fiber rolls, sand/gravel barriers, brush or rock filters, triangular silt dikes and other methods. During the wet season, 50 linear feet of silt fence (and the necessary stakes) per acre of disturbed area must be stockpiled on site.

**Purpose:** The purpose of perimeter protection is to reduce the amount of sediment transported beyond the disturbed areas of the construction site. Perimeter protection is primarily a backup means of sediment control. Most, if not all, sediment-laden water is to be treated in a sediment trap or pond. The only



circumstances in which perimeter control is to be used as a primary means of sediment removal is when the catchment is very small (see below).

**When to Install:** Perimeter protection is to be installed prior to any upslope clearing and grading.

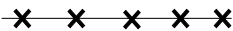
**Measures to Use:** The above measures may be used interchangeably and are not the only perimeter protection measures available. If surface water is collected by an interceptor dike or swale and routed to a sediment pond or trap, there may be no need for the perimeter protection measures specified in this section.

**Criteria for Use as Primary Treatment:** At the boundary of a site, perimeter protection may be used as the sole form of treatment when the flowpath meets the criteria listed below. If these criteria are not met, perimeter protection shall only be used as a backup to a sediment trap or pond.

Average Slope	Slope Percent	Flowpath Length
1.5H:1V or less	67% or less	100 feet
2H:1V or less	50% or less	115 feet
4H:1V or less	25% or less	150 feet
6H:1V or less	16.7% or less	200 feet
10H:1V or less	10% or less	250 feet

### D.2.1.3.1 SILT FENCE

Code: SF

Symbol: 

#### Purpose

Use of a silt fence reduces the transport of coarse sediment from a construction site by providing a temporary physical barrier to sediment and reducing the runoff velocities of overland flow.

#### Conditions of Use

1. Silt fence may be used downslope of all disturbed areas.
2. Silt fence is not intended to treat concentrated flows, nor is it intended to treat substantial amounts of overland flow. Any concentrated flows must be conveyed through the drainage system to a sediment trap or pond. The only circumstance in which overland flow may be treated solely by a silt fence, rather than by a sediment trap or pond, is when the area draining to the fence is small (see “Criteria for Use as Primary Treatment” in Section D.2.1.3 above).

#### Design and Installation Specifications

1. See Figure D.2.1.3.A and Figure D.2.1.3.B for details.
2. The geotextile used must meet the standards listed below. A copy of the manufacturer’s fabric specifications must be available on site.

AOS (ASTM D4751)	30–100 sieve size (0.60–0.15 mm) for slit film 50–100 sieve size (0.30–0.15 mm) for other fabrics
Water Permittivity (ASTM D4491)	0.02 sec <sup>-1</sup> minimum
Grab Tensile Strength (ASTM D4632) (see Specification Note 3)	180 lbs. min. for extra strength fabric 100 lbs. min. for standard strength fabric
Grab Tensile Elongation (ASTM D4632)	30% max. (woven)
Ultraviolet Resistance (ASTM D4355)	70% min.

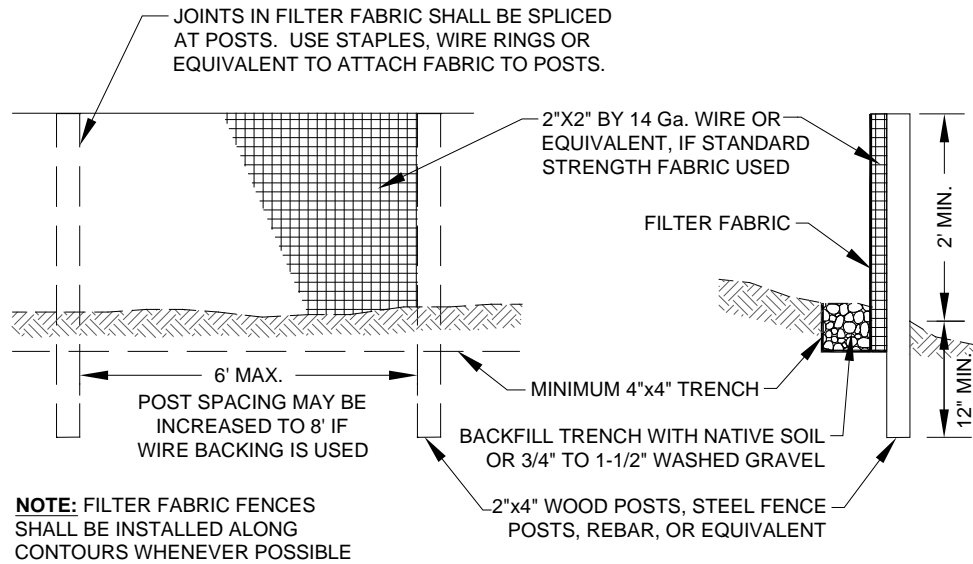
3. Standard strength fabric requires wire backing to increase the strength of the fence. Wire backing or closer post spacing may be required for extra strength fabric if field performance warrants a stronger fence.

4. Where the fence is installed, the slope shall be no steeper than 2H:1V.
5. If a typical silt fence (per Figure D.2.1.3.A) is used, the standard 4 x 4 trench may not be reduced as long as the bottom 8 inches of the silt fence is well buried and secured in a trench that stabilizes the fence and does not allow water to bypass or undermine the silt fence.

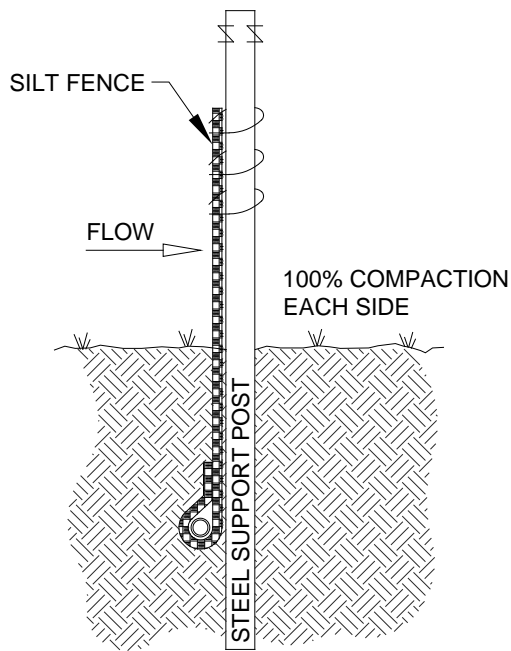
**Maintenance Standards**

1. Any damage shall be repaired immediately.
2. If concentrated flows are evident uphill of the fence, they must be intercepted and conveyed to a sediment trap or pond.
3. It is important to check the uphill side of the fence for signs of the fence clogging and acting as a barrier to flow and then causing channelization of flows parallel to the fence. If this occurs, replace the fence or remove the trapped sediment.
4. Sediment must be removed when the sediment is 6 inches high.
5. If the filter fabric (geotextile) has deteriorated due to ultraviolet breakdown, it shall be replaced.

**FIGURE D.2.1.3.A SILT FENCE**

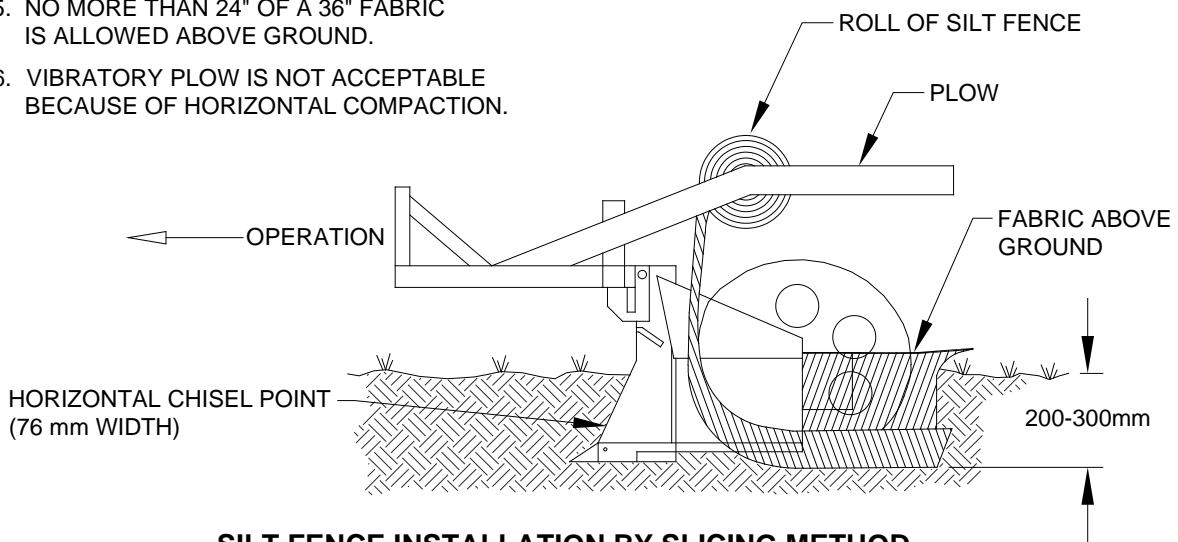
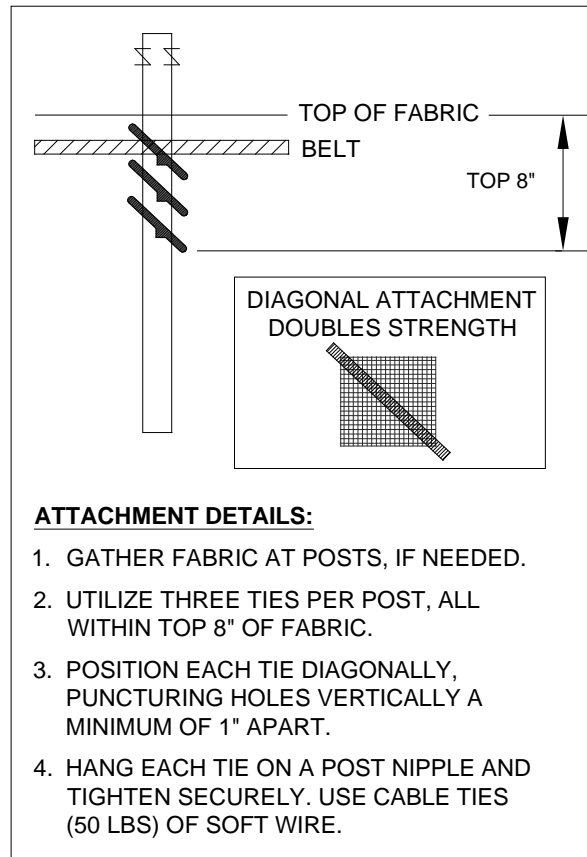


**FIGURE D.2.1.3.B SILT FENCE INSTALLATION BY SLICING**



**NOTES:**

1. POST SPACING: 7' MAX. ON OPEN RUNS  
4' MAX. ON POOLING AREAS.
2. POST DEPTH: AS MUCH BELOW GROUND  
AS FABRIC ABOVE GROUND.
3. PONDING HEIGHT MAX. 24" ATTACH  
FABRIC TO UPSTREAM SIDE OF POST.
4. DRIVE OVER EACH SIDE OF SILT FENCE  
2 TO 4 TIMES WITH DEVICE EXERTING  
60 P.S.I. OR GREATER.
5. NO MORE THAN 24" OF A 36" FABRIC  
IS ALLOWED ABOVE GROUND.
6. VIBRATORY PLOW IS NOT ACCEPTABLE  
BECAUSE OF HORIZONTAL COMPACTION.

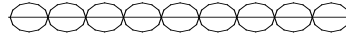


**SILT FENCE INSTALLATION BY SLICING METHOD**  
NTS

**D.2.1.3.2 BRUSH BARRIER**

Code: BB

Symbol:

**Purpose**

The purpose of brush barriers is to reduce the transport of coarse sediment from a construction site by providing a temporary physical barrier to sediment and reducing the runoff velocities of overland flow.

**Conditions of Use**

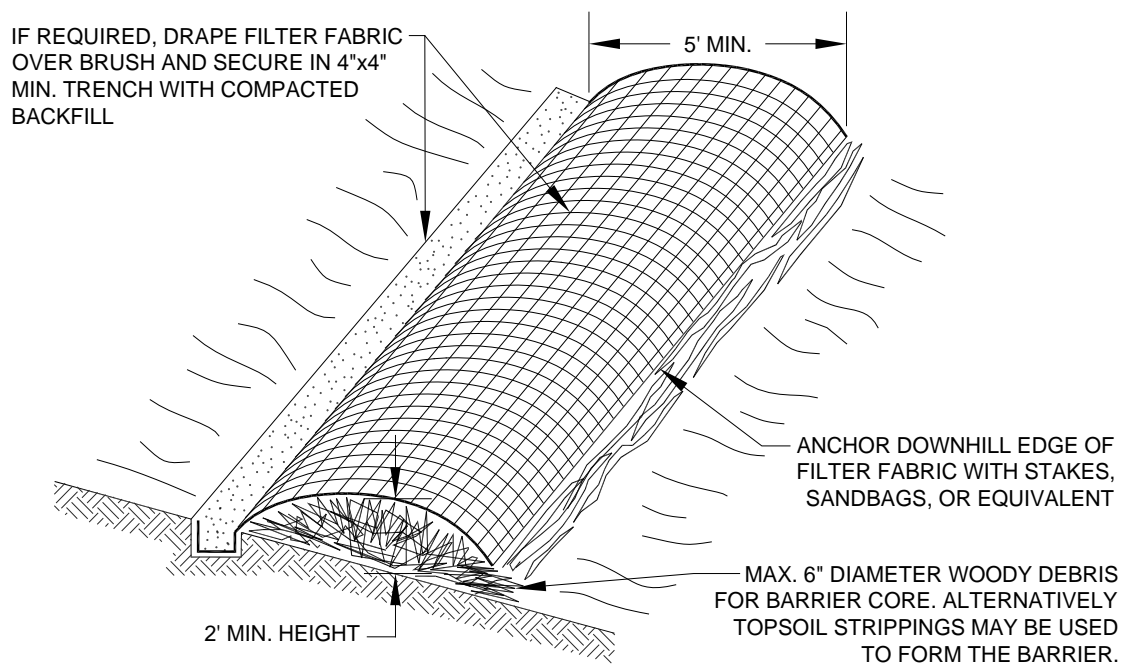
1. Brush barriers may be used downslope of all disturbed areas.
2. Brush barriers are not intended to treat concentrated flows, nor are they intended to treat substantial amounts of overland flow. Any concentrated flows must be conveyed through the drainage system to a sediment trap or pond. The only circumstance in which overland flow may be treated solely by a barrier, rather than by a sediment trap or pond, is when the area draining to the barrier is small (see "Criteria for Use as Primary Treatment" in Section D.2.1.3).

**Design and Installation Specifications**

1. See Figure D.2.1.3.C for details.
2. The City may require filter fabric (geotextile) anchored over the brush berm to enhance the filtration ability of the barrier.

**Maintenance Standards**

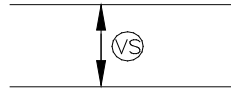
1. There shall be no signs of erosion or concentrated runoff under or around the barrier. If concentrated flows are bypassing the barrier, it must be expanded or augmented by toed-in filter fabric.
2. The dimensions of the barrier must be maintained.

**FIGURE D.2.1.3.C BRUSH BARRIER**

**D.2.1.3.3 VEGETATED STRIP**

Code: VS

Symbol:

**Purpose**

Vegetated strips reduce the transport of coarse sediment from a construction site by providing a temporary physical barrier to sediment and reducing the runoff velocities of overland flow.

**Conditions of Use**

1. Vegetated strips may be used downslope of all disturbed areas.
2. Vegetated strips are not intended to treat concentrated flows, nor are they intended to treat substantial amounts of overland flow. Any concentrated flows must be conveyed through the drainage system to a sediment trap or pond. The only circumstance in which overland flow may be treated solely by a strip, rather than by a sediment trap or pond, is when the area draining to the strip is small (see “Criteria for Use as Primary Treatment” in Section D.2.1.3).

**Design and Installation Specifications**

1. The vegetated strip shall consist of a 25-foot minimum width continuous strip of dense vegetation with a permeable topsoil. Grass-covered, landscaped areas are generally not adequate because the volume of sediment overwhelms the grass. Ideally, vegetated strips shall consist of undisturbed native growth with a well-developed soil that allows for infiltration of runoff.
2. The slope within the strip shall not exceed 4H:1V.
3. The uphill boundary of the vegetated strip shall be delineated with clearing limits as specified in Section D.2.1.1.

**Maintenance Standards**

1. Any areas damaged by erosion or construction activity shall be seeded immediately and protected by mulch.
2. If more than 5 feet of the original vegetated strip width has had vegetation removed or is being eroded, sod must be installed using the standards for installation found in Section D.2.1.2.7.

If there are indications that concentrated flows are traveling across the buffer, surface water controls must be installed to reduce the flows entering the buffer, or additional perimeter protection must be installed.

**D.2.1.3.4 TRIANGULAR SILT DIKE (GEOTEXTILE ENCASED CHECK DAM)**

Code: TSD

Symbol:

**Purpose**

Triangular silt dikes (TSDs) may be used as check dams, for perimeter protection, for temporary soil stockpile protection, for drop inlet protection, or as a temporary interceptor dike. Silt dikes, if attached to impervious surfaces with tack or other adhesive agent may also be used as temporary wheel wash areas, or concrete washout collection areas.

**Conditions of Use**

1. May be used for temporary check dams in ditches.
2. May be used on soil or pavement with adhesive or staples.
3. TSDs have been used to build temporary sediment ponds, diversion ditches, concrete washout facilities, curbing, water bars, level spreaders, and berms.

## Design and Installation Specifications

1. TSDs must be made of urethane foam sewn into a woven geosynthetic fabric.
2. TSDs are triangular, 10 inches to 14 inches high in the center, with a 20-inch to 28-inch base. A 2-foot apron extends beyond both sides of the triangle along its standard section of 7 feet. A sleeve at one end allows attachment of additional sections as needed
3. Install TSDs with ends curved up to prevent water from flowing around the ends
4. Attach the TSDs and their fabric flaps to the ground with wire staples. Wire staples must be No. 11 gauge wire or stronger and shall be 200 mm to 300 mm in length.
5. When multiple units are installed, the sleeve of fabric at the end of the unit shall overlap the abutting unit and be stapled.
6. TSDs must be located and installed as soon as construction will allow.
7. TSDs must be placed perpendicular to the flow of water.
8. When used as check dams, the leading edge must be secured with rocks, sandbags, or a small key slot and staples.
9. When used in grass-lined ditches and swales, the TSD check dams and accumulated sediment shall be removed when the grass has matured sufficiently to protect the ditch or swale unless the slope of the swale is greater than 4 percent. The area beneath the TSD check dams shall be seeded and mulched immediately after dam removal.

## Maintenance Standards

1. Triangular silt dikes shall be monitored for performance and sediment accumulation during and after each runoff producing rainfall event. Sediment shall be removed when it reaches one half the height of the silt dike.
2. Anticipate submergence and deposition above the triangular silt dike and erosion from high flows around the edges of the dike/dam. Immediately repair any damage or any undercutting of the dike/dam.

### D.2.1.3.5 COMPOST BERMS

Code: COBE

Symbol: 

#### Purpose

Compost berms are an option to meet the requirements of perimeter protection. Compost berms may reduce the transport of sediment from a construction site by providing a temporary physical barrier to sediment and reducing the runoff velocities of overland flow. Compost berms trap sediment by filtering water passing through the berm and allowing water to pond, creating a settling area for solids behind the berm. Organic materials in the compost can also reduce concentrations of metals and petroleum hydrocarbons from construction runoff. Due to the increase in phosphorous seen in the effluent data from compost berms, they should be used with some cautions in areas that drain to phosphorus sensitive water bodies, and should only be used in Sensitive Lake watersheds, such as Lake Sammamish, with the approval from the City or the local jurisdiction.

#### Conditions of Use

1. Compost berms may be used in most areas requiring sediment or erosion control where runoff is in the form of sheet flow or in areas where silt fence is normally considered acceptable. Compost berms may be used in areas where migration of aquatic life such as turtles and salamanders are impeded by the use of silt fence.

2. Compost berms are not intended to treat concentrated flows, nor are they intended to treat substantial amounts of overland flow. Any concentrated flows must be conveyed via a drainage system to a sediment pond or trap.
3. For purposes of long-term sediment control objectives, berms may be seeded at the time of installation to create an additional vegetated filtering component.

#### Design and Installation Specifications

1. Compost berms shall be applied using a pneumatic blower device or equivalent, to produce a uniform cross-section and berm density.
2. Compost berms shall be triangular in cross-section. The ratio of base to height dimensions shall be 2:1.
3. The minimum size of a compost berm is a 2-foot base with a 1-foot height.
4. Compost berms shall be sized and spaced as indicated in the table below.

SLOPE	SLOPE	Maximum Slope Length or Berm Spacing (linear feet)	Berm Size Required (height x base width)
0% – 2%	Flatter than 50:1	250	1 ft x 2 ft
2% – 10%	50:1 – 10:1	125	1 ft x 2 ft
10% – 20%	10:1 – 5:1	100	1 ft x 2 ft
20% – 33%	5:1 – 3:1	75	1 ft x 2 ft
33% – 50%	3:1 – 2:1	50	1.5 ft x 3 ft

5. Compost berms shall not be used on slopes greater than 2H:1V.
6. Compost shall meet criteria in Reference Section 11-C of the *SWDM* except for the particle size distribution (see Bullet 8).
7. Compost shall be obtained from a supplier meeting the requirements in Reference Section 11-C.
8. Compost particle size distribution shall be as follows: 99% passing a 1 inch sieve, 90% passing a 3/4-inch sieve and a minimum of 70% greater than the 3/8-inch sieve. A total of 98% shall not exceed 3 inches in length.
9. Berms shall be placed on level contours to assist in dissipating flow into sheet flow rather than concentrated flows. Berms shall not be constructed to concentrate runoff or channel water. Sheet flow of water shall be perpendicular to the berm at impact. No concentrated flow shall be directed towards compost berms.
10. Where possible, berms shall be placed 5 feet or more from the toe of slopes to allow space for sediment deposition and collection.
11. In order to prevent water from flowing around the ends of the berms, the ends of the berm shall be constructed pointing upslope so the ends are at a higher elevation than the rest of the berm.
12. A compost blanket extending 10 to 15 feet above the berm is recommended where the surface above the berm is rutted or uneven, to reduce concentrated flow and promote sheet flow into the berm.

#### Maintenance Standards

1. Compost berms shall be regularly inspected to make sure they retain their shape and allow adequate flow-through of stormwater.
2. When construction is completed on site, the berms shall be dispersed for incorporation into the soil or left on top of the site for final seeding to occur.



3. Any damage to berms must be repaired immediately. Damage includes flattening, compacting, rills, eroded areas due to overtopping.
4. If concentrated flows are evident uphill of the berm, the flows must be intercepted and conveyed to a sediment trap or pond.
5. The uphill side of the berm shall be inspected for signs of the berm clogging and acting as a barrier to flows and causing channelization of flows parallel to the berm. If this occurs, replace the berm or remove the trapped sediment.
6. Sediment that collects behind the berm must be removed when the sediment is more than 6 inches deep.

### D.2.1.3.6 COMPOST SOCKS

Code: COSO

Symbol: 

#### Purpose

Compost socks reduce the transport of sediment from a construction site by providing a temporary physical barrier to sediment-laden water and reducing the runoff velocities of overland flow. Compost socks trap sediment by filtering water that passes through the sock and allows water to pond behind the sock, creating a settling area for solids. Organic materials in the compost also may reduce metal and petroleum hydrocarbon concentrations in construction runoff. Compost socks function similarly to compost berms; however, because the compost is contained in a mesh tube, they are appropriate for both concentrated flow and sheet flow. Compost socks may be used to channel concentrated flow on hard surfaces.

#### Conditions of Use

1. Compost socks may be used in areas requiring sediment or erosion control where runoff is in the form of sheet flow or in areas that silt fence is normally considered acceptable. Compost socks may also be used in sensitive environmental areas where migration of aquatic life, including turtles, salamanders and other aquatic life may be impeded by the used of silt fence.
2. Compost socks are not intended to treat substantial amounts of overland flow. However, compost socks may be subjected to some ponding and concentrated flows. If intended primarily as a filtration device, the socks should be sized and placed so that flows do not overtop the socks.
3. For purposes of long term sediment control objectives, compost socks may be seeded at the time of installation to create an additional vegetated filtering component.

#### Design and Installation Specifications

1. Compost socks shall be produced using a pneumatic blower hose or equivalent to fill a mesh tube with compost to create a uniform cross-section and berm density.
2. Socks shall be filled so they are firmly – packed yet flexible. Upon initial filling, the socks shall be filled to have a round cross-section. Once placed on the ground, it is recommended to apply weight to the sock to improve contact with the underlying surface. This may cause the sock to assume an oval shape.
3. Compost socks shall be a minimum of 8 inches in diameter. Larger diameter socks are recommended for areas where ponding is expected behind the sock.
4. Compost socks shall not be used on slopes greater than 2H:1V.
5. Compost shall meet criteria in Reference Section 11-C of the *SWDM*, except for the particle size distribution (see Bullet 7).
6. Compost shall be obtained from a supplier meeting the requirements in Reference Section 11-C.

7. Compost particle size distribution shall be as follows: 99% passing a 1-inch sieve, 90% passing a 3/4-inch sieve and a minimum of 70% greater than the 3/8-inch sieve. A total of 98% shall not exceed 3 inches in length.
8. In order to prevent water from flowing around the ends of compost socks, the ends must be pointed upslope so the ends of the socks are at a higher elevation than the remainder of the sock.

### Maintenance Standards

1. Compost socks shall be regularly inspected to make sure the mesh tube remains undamaged, the socks retain their shape, and allow adequate flow through of surface water. If the mesh tube is torn, it shall be repaired using twine, zip-ties, or wire. Large sections of damaged socks must be replaced. Any damage must be repaired immediately upon discovery of damage.
2. When the sock is no longer needed, the socks shall be cut open and the compost dispersed to be incorporated into the soil or left on top of the soil for final seeding to occur. The mesh material must be disposed of properly as solid waste. If spills of oil, antifreeze, hydraulic fluid, or other equipment fluids have occurred that have saturated the sock, the compost must be disposed of properly as a waste.
3. Sediment must be removed when sediment accumulations are within 3 inches of the top of the sock.

## D.2.1.4 TRAFFIC AREA STABILIZATION

Unsurfaced entrances, roads, and parking areas used by construction traffic shall be stabilized to minimize erosion and tracking of sediment off site. Stabilized construction entrances shall be installed as the first step in clearing and grading. At the City's discretion, road and parking area stabilization is not required during the dry season (unless dust is a concern) or if the site is underlain by coarse-grained soils. Roads and parking areas shall be stabilized immediately after initial grading.

**Purpose:** The purpose of traffic area stabilization is to reduce the amount of sediment transported off site by construction vehicles and to reduce the erosion of areas disturbed by vehicle traffic. Sediment transported off site onto paved streets is a significant problem because it is difficult to effectively remove, and any sediment not removed ends up in the drainage system. Additionally, sediment on public right-of-way can pose a serious traffic hazard. Construction road and parking area stabilization is important because the combination of wet soil and heavy equipment traffic typically forms a slurry of easily erodible mud. Finally, stabilization also is an excellent form of dust control in the summer months.

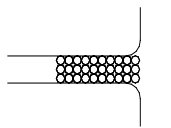
**When to Install:** The construction entrance is to be installed as the first step in clearing and grading. Construction road stabilization shall occur immediately after initial grading of the construction roads and parking areas.

**Measures to Use:** There are two types of traffic area stabilization: (1) a stabilized construction entrance and (2) construction road/parking area stabilization. Both measures must be used as specified under "Conditions of Use" for each measure.

### D.2.1.4.1 STABILIZED CONSTRUCTION ENTRANCE

Code: CE

Symbol:



#### Purpose

Construction entrances are stabilized to reduce the amount of sediment transported onto paved roads by motor vehicles or runoff by constructing a stabilized pad of quarry spalls at entrances to construction sites.

### Conditions of Use

Construction entrances shall be stabilized wherever traffic will be leaving a construction site and traveling on paved roads or other paved areas within 1,000 feet of the site. Access and exits shall be limited to one route if possible, or two for linear projects such as roadway where more than one access/exit is necessary for maneuvering large equipment.

For residential construction provide stabilized construction entrances for each residence in addition to the main subdivision entrance. Stabilized surfaces shall be of sufficient length/width to provide vehicle access/parking, based on lot size/configuration.

### Design and Installation Specifications

1. See Figure D.2.1.4.A for details.
2. A separation geotextile shall be placed under the spalls to prevent fine sediment from pumping up into the rock pad. The geotextile shall meet the following standards:

Grab Tensile Strength (ASTM D4632)	200 lbs min.
Grab Tensile Elongation (ASTM D4632)	30% max.(woven)
Puncture Strength (ASTM D6241)	495 lbs min.
AOS (ASTM D4751)	20–45 (U.S. standard sieve size)

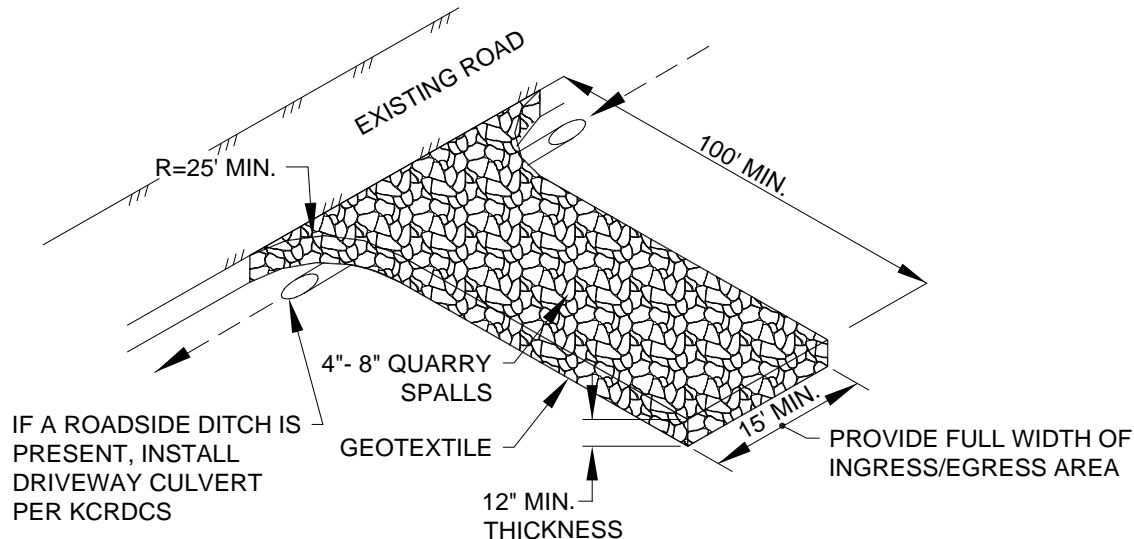
3. Do not use crushed concrete, cement, or calcium chloride for construction entrance stabilization because these products raise pH levels in stormwater and concrete discharge to surface waters of the State is prohibited.
4. Hog fuel (wood based mulch) may be substituted for or combined with quarry spalls in areas that will not be used for permanent roads. The effectiveness of hog fuel is highly variable, but it has been used successfully on many sites. It generally requires more maintenance than quarry spalls. Hog fuel is not recommended for entrance stabilization in urban areas. The inspector may at any time require the use of quarry spalls if the hog fuel is not preventing sediment from being tracked onto pavement or if the hog fuel is being carried onto pavement. Hog fuel is prohibited in permanent roadbeds because organics in the subgrade soils cause difficulties with compaction.
5. Fencing (see Section D.2.1.1) shall be installed as necessary to restrict traffic to the construction entrance.
6. Whenever possible, the entrance shall be constructed on a firm, compacted subgrade. This can substantially increase the effectiveness of the pad and reduce the need for maintenance.

### Maintenance Standards

1. Quarry spalls (or hog fuel) shall be added if the pad is no longer in accordance with the specifications.
2. If the entrance is not preventing sediment from being tracked onto pavement, then alternative measures to keep the streets free of sediment shall be used. This may include street sweeping, an increase in the dimensions of the entrance, or the installation of a wheel wash. If washing is used, it shall be done on an area covered with crushed rock, and wash water shall drain to a sediment trap or pond.
3. Any sediment that is tracked onto pavement shall be removed immediately by sweeping. The sediment collected by sweeping shall be removed or stabilized on site. The pavement shall not be cleaned by washing down the street, except when sweeping is ineffective and there is a threat to public safety. If it is necessary to wash the streets, a small sump must be constructed. The sediment would then be washed into the sump where it can be controlled. Wash water must be pumped back onto the *site* and cannot discharge to systems tributary to surface waters.

4. Any quarry spalls that are loosened from the pad and end up on the roadway shall be removed immediately.
5. If vehicles are entering or exiting the site at points other than the construction entrance(s), fencing (see Section D.2.1.1) shall be installed to control traffic.

**FIGURE D.2.1.4.A SCHEMATIC REPRESENTATION OF A STABILIZED CONSTRUCTION ENTRANCE**



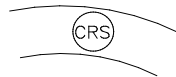
**NOTES:**

- PER KING COUNTY ROAD DESIGN AND CONSTRUCTION STANDARDS (KCRDCS), DRIVEWAYS SHALL BE PAVED TO EDGE OF R-O-W PRIOR TO INSTALLATION OF THE CONSTRUCTION ENTRANCE TO AVOID DAMAGING OF THE ROADWAY.
- IT IS RECOMMENDED THAT THE ENTRANCE BE CROWNED SO THAT RUNOFF DRAINS OFF THE PAD.

**D.2.1.4.2 CONSTRUCTION ROAD/PARKING AREA STABILIZATION**

Code: CRS

Symbol:



**Purpose**

Stabilizing subdivision roads, parking areas and other onsite vehicle transportation routes immediately after grading reduces erosion caused by construction traffic or runoff.

**Conditions of Use**

1. Roads or parking areas shall be stabilized wherever they are constructed, whether permanent or temporary, for use by construction traffic.
2. Fencing (see Section D.2.1.1) shall be installed, if necessary, to limit the access of vehicles to only those roads and parking areas that are stabilized.

**Design and Installation Specifications**

1. A 6-inch depth of 2- to 4-inch **crushed rock, gravel base, or crushed surfacing base course** shall be applied immediately after grading or utility installation. A 4-inch course of asphalt treated base (ATB) may also be used, or the road/parking area may be paved. It may also be possible to use cement or

- calcium chloride for soil stabilization. If the area will not be used for permanent roads, parking areas, or structures, a 6-inch depth of hog fuel may also be used, but this is likely to require more maintenance. Whenever possible, construction roads and parking areas shall be placed on a firm, compacted subgrade. *Note: If the area will be used for permanent road or parking installation later in the project, the subgrade will be subject to inspection.*
2. **Temporary road gradients** shall not exceed 15 percent. Roadways shall be carefully graded to drain transversely. Drainage ditches shall be provided on each side of the roadway in the case of a crowned section, or on one side in the case of a super-elevated section. Drainage ditches shall be designed in accordance with the standards given in Section D.2.1.6.4 and directed to a sediment pond or trap.
  3. Rather than relying on ditches, it may also be possible to **grade the road** so that runoff sheet-flows into a heavily vegetated area with a well-developed topsoil. Landscaped areas are not adequate. If this area has at least 50 feet of vegetation, then it is generally preferable to use the vegetation to treat runoff, rather than a sediment pond or trap. The 50 feet shall not include vegetated wetlands. If runoff is allowed to sheet flow through adjacent vegetated areas, it is vital to design the roadways and parking areas so that no concentrated runoff is created.
  4. In order to control construction traffic, the City may require that **signs** be erected on site informing construction personnel that vehicles, other than those performing clearing and grading, are restricted to stabilized areas.
  5. If construction roads do not adequately reduce trackout to adjacent property or roadways, a wheel wash system will be required.

### Maintenance Standards

Crushed rock, gravel base, hog fuel, etc., shall be added as required to maintain a stable driving surface and to stabilize any areas that have eroded.

#### D.2.1.4.3 WHEEL WASH

Code: WW

Symbol: 

### Purpose

Wheel wash systems reduce the amount of sediment transported onto paved roadways and into surface water systems by construction vehicles.

### Conditions of Use

When a stabilized construction entrance is not preventing sediment from being tracked onto pavement:

- Wheel washing is generally an effective erosion and sediment control method and BMP when installed with careful attention to topography. For example, a wheel wash can be detrimental if installed at the top of a slope abutting a right-of-way where the water from the dripping truck wheels and undercarriage can run unimpeded into the street.
- Pressure washing combined with an adequately sized and properly surfaced wash pad with direct drainage discharge to a large 10-foot x 10-foot sump can be very effective.

### Design and Installation Specifications

A suggested detail is shown in Figure D.2.1.4.B.

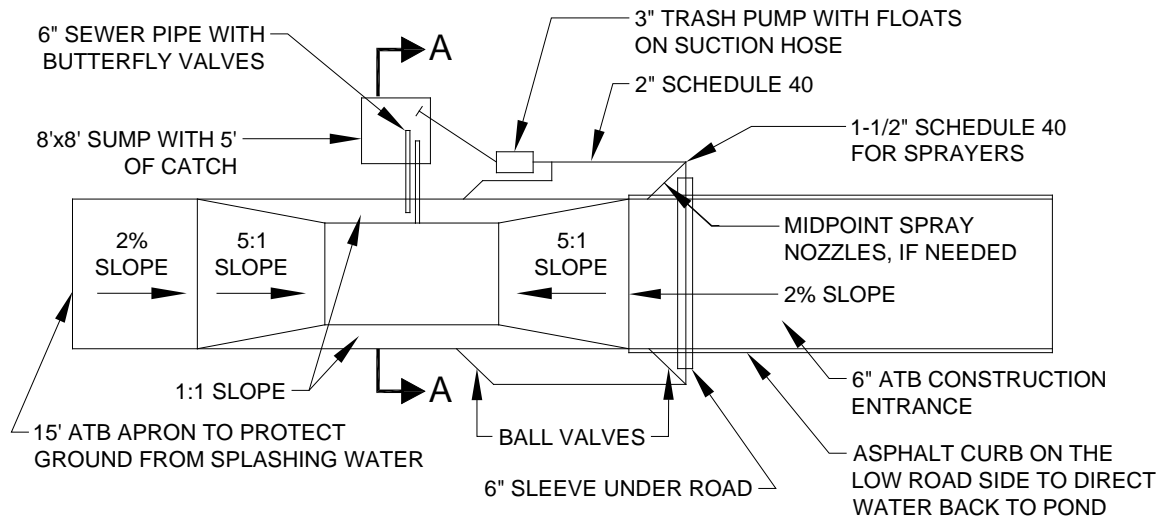
1. A minimum of 6 inches of asphalt treated base (ATB) over crushed base material or 8 inches over a good subgrade is recommended to pave the wheel wash area.
2. Use a low clearance truck to test the wheel wash before paving. Either a belly dump or lowboy will work well to test clearance.

3. Keep the water level from 12 to 14 inches deep to avoid damage to truck hubs and filling the truck tongues with water.
4. Midpoint spray nozzles are only needed in very muddy conditions.
5. Wheel wash systems should be designed with a small grade change, 6 to 12 inches for a 10-foot-wide pond, to allow sediment to flow to the low side of the pond and to help prevent re-suspension of sediment.
6. A drainpipe with a 2- to 3-foot riser should be installed on the low side of the wheel wash pond to allow for easy cleaning and refilling. Polymers may be used to promote coagulation and flocculation in a closed-loop system.
7. Polyacrylamide (PAM) added to the wheel washwater at a rate of 0.25 to 0.5 pounds per 1,000 gallons of water increases effectiveness and reduces cleanup time. If PAM is already being used for dust or erosion control and is being applied by a water truck, the same truck may be used to change the washwater.

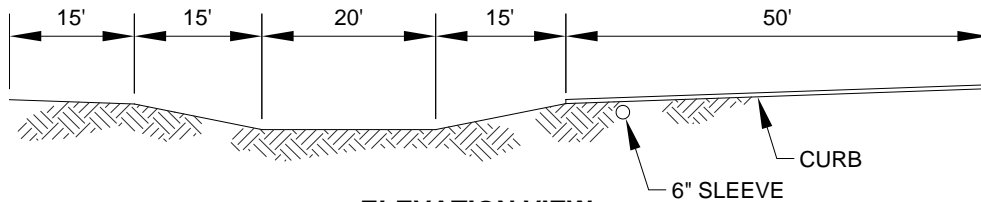
### **Maintenance Standards**

1. The wheel wash should start out each day with clean, fresh water.
2. The washwater should be changed a minimum of once per day. On large earthwork jobs where more than 10 to 20 trucks per hour are expected, the washwater will need to be changed more often.
3. Wheel wash or tire bath wastewater shall be discharged to a separate onsite treatment system, such as a closed-loop recirculation system or land application, or to the sanitary sewer system with proper approval and/or permits from King County and the City of Renton.

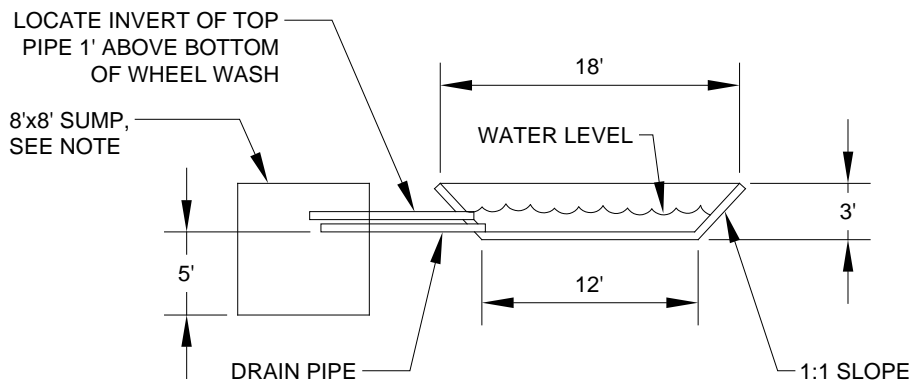
**FIGURE D.2.1.4.B WHEEL WASH AND PAVED CONSTRUCTION ENTRANCE**



**PLAN VIEW**  
NTS



**ELEVATION VIEW**  
NTS



**NOTE:**  
BUILD 8'x8' SUMP TO ACCOMMODATE CLEANING BY TRACKHOE.

**SECTION A-A**  
NTS

### D.2.1.5 SEDIMENT RETENTION

Surface water collected from disturbed areas of the site shall be routed through a sediment pond or trap prior to release from the site. An exception is for areas at the perimeter of the site with drainage areas small enough to be treated solely with perimeter protection (see Section D.2.1.3). Also, if the soils and topography are such that no offsite discharge of surface water is anticipated up to and including the developed 2-year runoff event, sediment ponds and traps are not required. A 10-year peak flow using the approved model with 15-minute time steps shall be used for sediment pond/trap sizing if the project size, expected timing and duration of construction, or downstream conditions warrant a higher level of protection (see below). At the City's discretion, sites may be worked during the dry season without sediment ponds and traps if there is some other form of protection of surface waters, such as a 100-foot forested buffer between the disturbed areas and adjacent surface waters. For small sites, use the criteria defined in Section D.2.1.3, Perimeter Protection to determine minimum flow path length. If the site work has to be extended into the wet season, a back-up plan must be identified in the CSWPP plan and implemented. Protection of catch basins is required for inlets that are likely to be impacted by sediment generated by the project and that do not drain to an onsite sediment pond or trap. Sediment retention facilities shall be installed prior to grading of any contributing area and shall be located so as to avoid interference with the movement of juvenile salmonids attempting to enter off-channel areas or drainages.

**Purpose:** The purpose of sediment retention facilities is to remove sediment from runoff generated from disturbed areas.

**When to Install:** The facilities shall be constructed as the first step in the clearing and grading of the site. The surface water conveyances may then be connected to the facilities as site development proceeds.

**Measures to Use:** There are three sediment retention measures in this section. The first two, sediment traps and ponds, serve the same function but for different size catchments. All runoff from disturbed areas must be routed through a trap or pond except for very small areas at the perimeter of the site small enough to be treated solely with perimeter protection (see Section D.2.1.3). The third measure is for catch basin protection. It is only to be used in limited circumstances and is not a primary sediment treatment facility. It is only intended as a backup in the event of failure of other onsite systems.

**Use of Permanent Drainage Facilities:** All projects that are constructing permanent facilities for runoff quantity control are strongly encouraged to use the rough-graded or final-graded permanent facilities for ponds and traps. This includes combined facilities and infiltration facilities. When permanent facilities are used as temporary sedimentation facilities, the surface area requirements of sediment traps (for drainages less than 3 acres) or sediment ponds (more than 3 acres) must be met. If the surface area requirements are larger than the surface area of the permanent facility, then the pond shall be enlarged to comply with the surface area requirement. The permanent pond shall also be divided into two cells as required for sediment ponds. Either a permanent control structure or the temporary control structure described in Section D.2.1.5.2 may be used. If a permanent control structure is used, it may be advisable to partially restrict the lower orifice with gravel to increase residence time while still allowing dewatering of the pond.

If infiltration facilities are to be used, the sides and bottom of the facility must only be rough excavated to a minimum of three feet above final grade. Excavation should be done with a backhoe working at "arm's length" to minimize disturbance and compaction of the infiltration surface. Additionally, any required pretreatment facilities shall be fully constructed prior to any release of sediment-laden water to the facility. Pretreatment and shallow excavation are intended to prevent the clogging of soil with fines. Final grading of the infiltration facility shall occur only when all contributing drainage areas are fully stabilized (see Section D.2.4.5).

**Selection of the Design Storm:** In most circumstances, the developed condition 2-year peak flow using the approved model with 15-minute time steps is sufficient for calculating surface area for ponds and traps and for determining exemptions from the sediment retention and surface water collection requirements (Sections D.2.1.5 and D.2.1.6, respectively). In some circumstances, however, the approved model 10-year 15-minute peak flow should be used. Examples of such circumstances include the following:



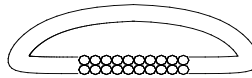
- Sites that are within ¼ mile of salmonid streams, wetlands, and designated sensitive lakes such as Lake Sammamish
- Sites where significant clearing and grading is likely to occur during the wet season
- Sites with downstream erosion or sedimentation problems.

**Natural Vegetation:** Whenever possible, sediment-laden water shall be discharged into onsite, relatively level, vegetated areas. This is the only way to effectively remove fine particles from runoff. This can be particularly useful after initial treatment in a sediment retention facility. The areas of release must be evaluated on a site-by-site basis in order to determine appropriate locations for and methods of releasing runoff. Vegetated wetlands shall not be used for this purpose. Frequently, it may be possible to pump water from the collection point at the downhill end of the site to an upslope vegetated area. Pumping shall only augment the treatment system, not replace it because of the possibility of pump failure or runoff volume in excess of pump capacity.

### D.2.1.5.1 SEDIMENT TRAP

Code: ST

Symbol:



#### Purpose

Sediment traps remove sediment from runoff originating from disturbed areas of the site. Sediment traps are typically designed to only remove sediment as small as medium silt (0.02 mm). As a consequence, they usually only result in a small reduction in turbidity.

#### Conditions of Use

A sediment trap shall be used where the contributing drainage area is 3 acres or less.

#### Design and Installation Specifications

1. See Figure D.2.1.5.A for details.
2. If permanent runoff control facilities are part of the project, they should be used for sediment retention (see “Use of Permanent Drainage Facilities” in Section D.2.1.5).
3. To determine the trap geometry, first calculate the design surface area ( $SA$ ) of the trap, measured at the invert of the weir. Use the following equation:

$$SA = FS(Q_2/V_S)$$

- where
- $Q_2$  = Design inflow (cfs) from the contributing drainage area based on the developed condition 2-year or 10-year peak discharge using the approved model with 15-minute time steps as computed in the hydrologic analysis. The approved model 10-year 15-minute peak flow shall be used if the project size, expected timing and duration of construction, or downstream conditions warrant a higher level of protection, or if the pond discharge path leaves the *site* (note provisions must be made to prevent increases in the existing site conditions 2-year and 10-year runoff peaks discharging from the project *site* during construction, see Section D.3.9, Flow Control). If no hydrologic analysis is required, the Rational Method may be used (Section 3.2.1 of the *SWDM*).
  - $V_S$  = The settling velocity (ft/sec) of the soil particle of interest. The 0.02 mm (medium silt) particle with an assumed density of 2.65 g/cm<sup>3</sup> has been selected as the particle of interest and has a settling velocity ( $V_S$ ) of 0.00096 ft/sec.
  - $FS$  = A safety factor of 2 to account for non-ideal settling.

Therefore, the equation for computing surface area becomes:

$$SA = 2 \times Q_2 / 0.00096 \quad \text{or} \quad 2080 \text{ square feet per cfs of inflow}$$

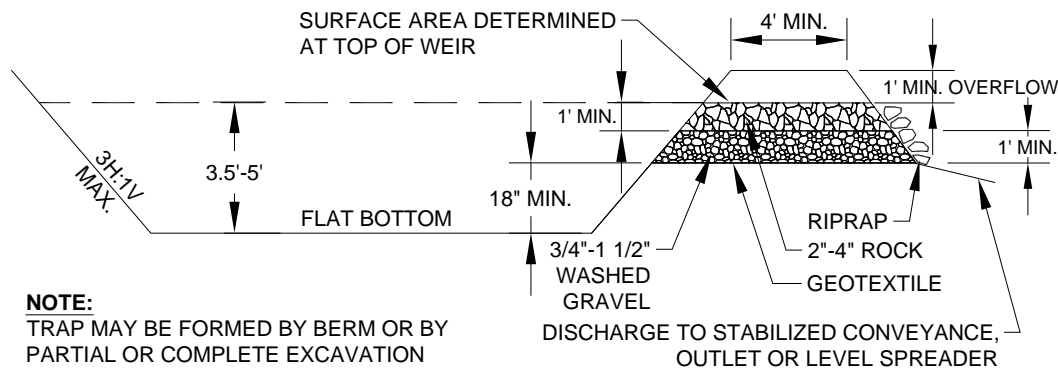
*Note: Even if permanent facilities are used, they must still have a surface area that is at least as large as that derived from the above formula. If they do not, the pond must be enlarged.*

4. To aid in determining sediment depth, all traps shall have a staff gage with a prominent mark one foot above the bottom of the trap.

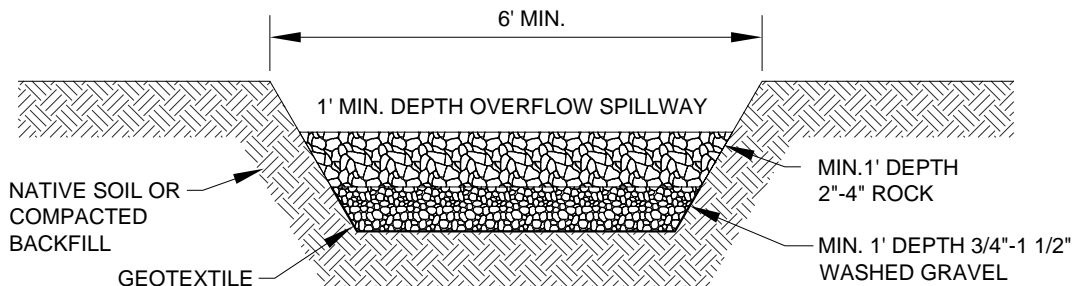
**Maintenance Standards**

1. Sediment shall be removed from the trap when it reaches 1 foot in depth.
2. Any damage to the trap embankments or slopes shall be repaired.

**FIGURE D.2.1.5.A SEDIMENT TRAP**



**CROSS SECTION**

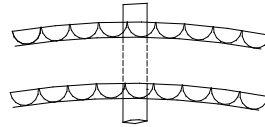


**TRAP OUTLET**

### D.2.1.5.2 SEDIMENT POND

Code: SP

Symbol:



#### Purpose

Sediment ponds remove sediment from runoff originating from disturbed areas of the site. Sediment ponds are typically designed to only remove sediment as small as medium silt (0.02 mm). As a consequence, they usually reduce turbidity only slightly.

#### Conditions of Use

A sediment pond shall be used where the contributing drainage area is 3 acres or more.

#### Design and Installation Specifications

1. See Figure D.2.1.5.B, Figure D.2.1.5.C, and Figure D.2.1.5.D for details.
2. If permanent runoff control facilities are part of the project, they should be used for sediment retention (see “Use of Permanent Drainage Facilities” in Section D.2.1.5).

#### Determining Pond Geometry

1. Obtain the discharge from the hydrologic calculations for the 2-year and 10-year peak flows using the approved model with 15-minute time steps ( $Q_2$  and  $Q_{10}$ ). The approved model 10-year 15-minute peak flow shall be used if the project size, expected timing and duration of construction, or downstream conditions warrant a higher level of protection, or if the pond discharge path leaves the *site* (note provisions must be made to prevent increases in the existing site conditions 2-year and 10-year runoff peaks discharging from the project *site* during construction, see Section D.3.9, Flow Control). If no hydrologic analysis is required, the Rational Method may be used (Section 3.2.1 of the *SWDM*).
2. Determine the required surface area at the top of the riser pipe with the equation:

$$SA = 2 \times Q_{10} / 0.00096 \quad \text{or} \quad 2080 \text{ square feet per cfs of inflow}$$

See Section D.2.1.5.1 for more information on the derivation of the surface area calculation.

3. The basic geometry of the pond can now be determined using the following design criteria:
  - Required surface area  $SA$  (from Step 2 above) at top of riser
  - Minimum 3.5-foot depth from top of riser to bottom of pond
  - Maximum 3:1 interior side slopes and maximum 2:1 exterior slopes. The interior slopes may be increased to a maximum of 2:1 if fencing is provided at or above the maximum water surface
  - One foot of freeboard between the top of the riser and the crest of the emergency spillway
  - Flat bottom
  - Minimum one foot deep spillway
  - Length-to-width ratio between 3:1 and 6:1.

#### Sizing of Discharge Mechanisms

**Principal Spillway:** Determine the required diameter for the principal spillway (riser pipe). The diameter shall be the minimum necessary to pass the developed condition 10-year peak flow using the approved model with 15-minute time steps ( $Q_{10}$ ). Use Figure 5.1.4.H (*SWDM* Chapter 5) to determine this diameter ( $h =$  one foot). *Note: A permanent control structure may be used instead of a temporary riser.*

**Emergency Overflow Spillway:** Determine the required size and design of the emergency overflow spillway for the developed condition 100-year approved model 15-minute peak flow using the procedure in Section 5.1.1 (“Emergency Overflow Spillway” subsection) of the *SWDM*.

**Dewatering Orifice:** Determine the size of the dewatering orifice(s) (minimum 1-inch diameter) using a modified version of the discharge equation for a vertical orifice and a basic equation for the area of a circular orifice.

1. Determine the required area of the orifice with the following equation:

$$A_o = \frac{A_s(2h)^{0.5}}{0.6 \times 3600Tg^{0.5}} = 4.81(10^{-6})A_s\sqrt{h}$$

where

$A_o$	=	orifice area (square feet)
$A_s$	=	pond surface area (square feet)
$h$	=	head of water above orifice (height of riser in feet)
$T$	=	dewatering time (24 hours)
$g$	=	acceleration of gravity (32.2 feet/second <sup>2</sup> )

2. Convert the required surface area to the required diameter  $D$  (inches) of the orifice:

$$D = 24 \times \sqrt{\frac{A_o}{\pi}} = 13.54 \times \sqrt{A_o}$$

3. The vertical, perforated tubing connected to the dewatering orifice must be at least 2 inches larger in diameter than the orifice to improve flow characteristics. The size and number of perforations in the tubing should be large enough so that the tubing does not restrict flow. The flow rate should be controlled by the orifice.

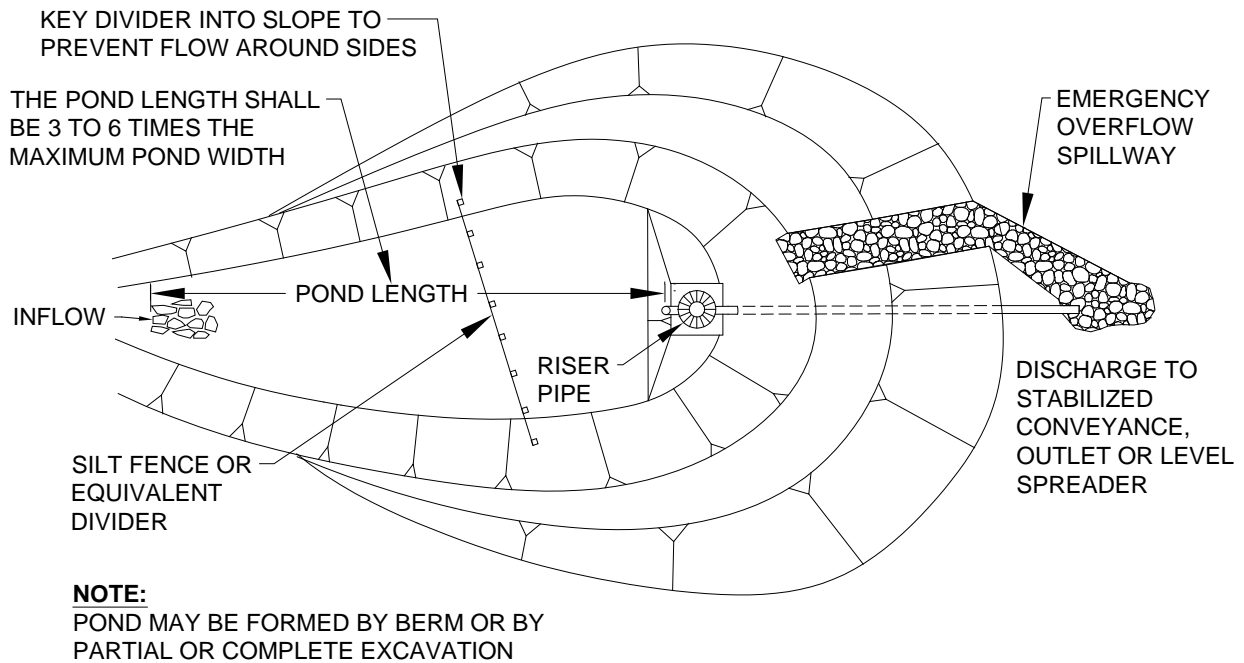
### Additional Design Specifications

- The **pond shall be divided** into two roughly equal volume cells by a permeable divider that will reduce turbulence while allowing movement of water between cells. The divider shall be at least one-half the height of the riser and a minimum of one foot below the top of the riser. Wire-backed, 2- to 3-foot high, extra strength filter fabric (see Section D.2.1.3.1) supported by treated 4" x 4"s may be used as a divider. Alternatively, staked straw bales wrapped with filter fabric (geotextile) may be used.
- If the pond is more than 6 feet deep, a different mechanism must be proposed. A riprap embankment is one acceptable method of separation for deeper ponds. Other designs that satisfy the intent of this provision are allowed as long as the divider is permeable, structurally sound, and designed to prevent erosion under or around the barrier.
- To aid in determining sediment depth, **one-foot intervals** shall be prominently marked on the riser.
- If an **embankment** of more than 6 feet is proposed, the pond must comply with the criteria under "Embankments" in Section 5.1.1 of the *Surface Water Design Manual*.

### Maintenance Standards

1. Sediment shall be removed from the pond when it reaches 1 foot in depth.
2. Any damage to the pond embankments or slopes shall be repaired.

**FIGURE D.2.1.5.B SEDIMENT POND PLAN VIEW**



**FIGURE D.2.1.5.C SEDIMENT POND CROSS SECTION**

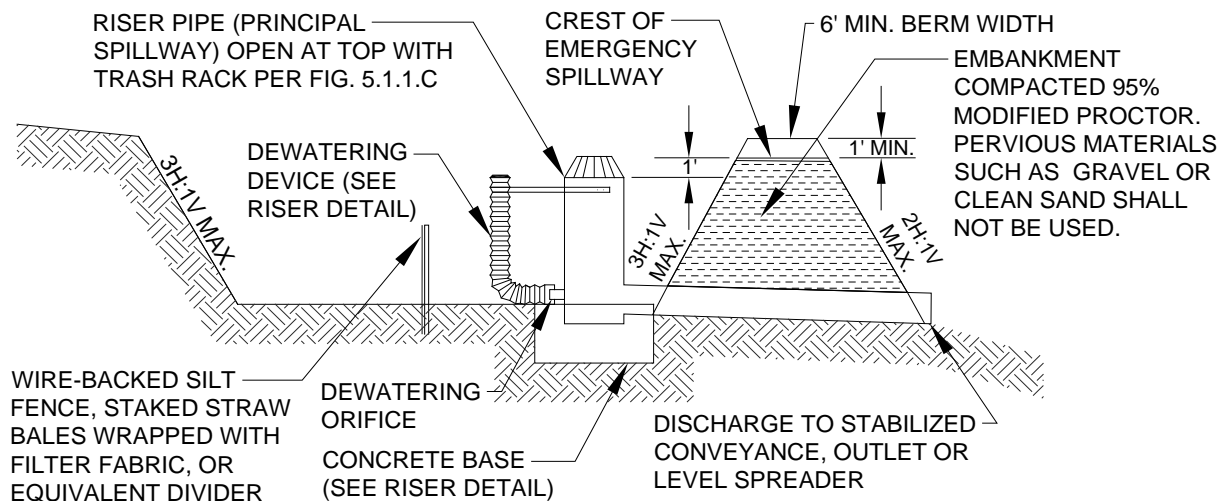
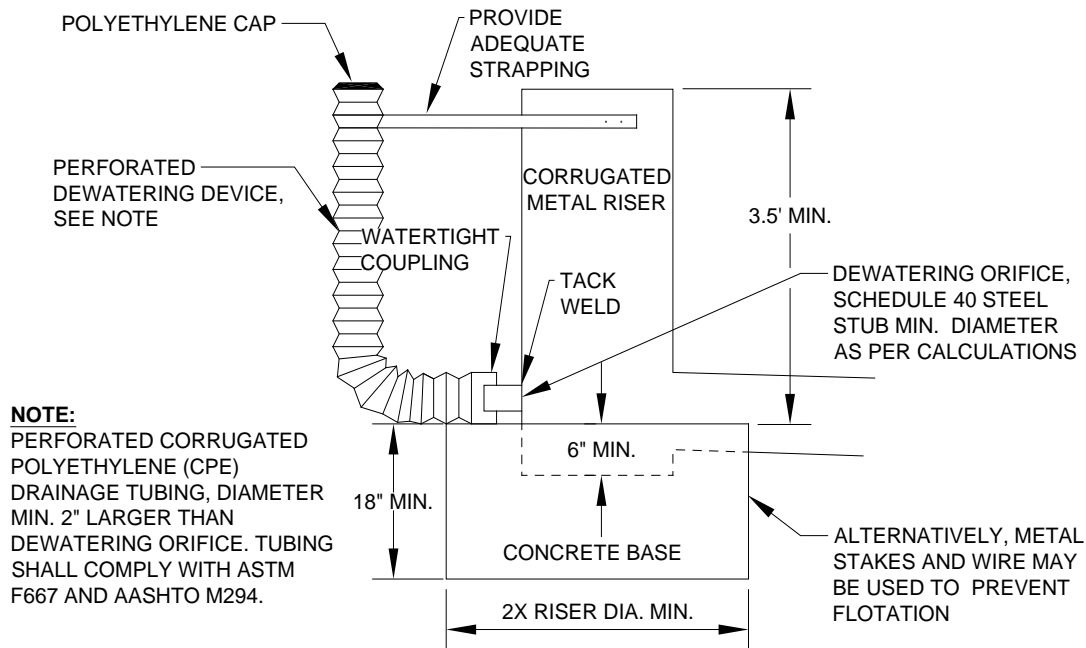


FIGURE D.2.1.5.D SEDIMENT POND RISER DETAIL



### D.2.1.5.3 STORM DRAIN INLET PROTECTION

Code: FFP or CBI or CBP    Symbol: or

#### Purpose

Storm drain inlets are protected to prevent coarse sediment from entering storm drainage systems. Temporary devices around storm drains assist in improving the quality of water discharged to inlets or catch basins by ponding sediment-laden water. These devices are effective only for relatively small drainage areas.

#### Conditions of Use

1. Protection shall be provided for all storm drain inlets downslope and within 500 feet of a disturbed or construction area, unless the runoff that enters the catch basin will be conveyed to a sediment pond or trap.
2. Inlet protection may be used anywhere at the applicant's discretion to protect the drainage system. This will, however, require more maintenance, and it is highly likely that the drainage system will still require some cleaning.
3. The contributing drainage area must not be larger than one acre.

#### Design and Installation Specifications

1. There are many options for protecting storm drain inlets. Two commonly used options are filter fabric protection and catch basin inserts. *Filter fabric protection* (see Figure D.2.1.5.E) is filter fabric (geotextile) placed over the grate. This method is generally very ineffective and requires intense maintenance efforts. *Catch basin inserts* (see Figure D.2.1.5.F) are manufactured devices that nest inside a catch basin. This method also requires a high frequency of maintenance to be effective. Both options provide adequate protection, but filter fabric is likely to result in ponding of water above the

catch basin, while the insert will not. Thus, filter fabric is only allowed where ponding will not be a traffic concern and where slope erosion will not result if the curb is overtopped by ponded water.

Trapping sediment in the catch basins is unlikely to improve the water quality of runoff if it is treated in a pond or trap because the coarse particles that are trapped at the catch basin settle out very quickly in the pond or trap. **Catch basin protection normally only improves water quality where there is no treatment facility downstream.** In these circumstances, catch basin protection is an important last line of defense. It is not, however, a substitute for preventing erosion.

The placement of filter fabric under grates is generally prohibited and the use of filter fabric over grates is strictly limited and discouraged.

2. It is sometimes possible to construct a small sump around the catch basin before final surfacing of the road. This is allowed because it can be a very effective method of sediment control.
3. Block and gravel filters, gravel and wire mesh filter barriers, and bag barriers filled with various filtering media placed around catch basins can be effective when the drainage area is 1 acre or less and flows do not exceed 0.5 cfs. It is necessary to allow for overtopping to prevent flooding. Many manufacturers have various inlet protection filters that are very effective in keeping sediment-laden water from entering the storm drainage system. The following are examples of a few common methods.
  - a) **Block and gravel filters** (Figure D.2.1.5.G) are a barrier formed around an inlet with standard concrete block and gravel, installed as follows:
    - Height is 1 to 2 feet above the inlet.
    - Recess the first row of blocks 2 inches into the ground for stability.
    - Support subsequent rows by placing a 2x4 through the concrete block opening.
    - Do not use mortar.
    - Lay some blocks in the bottom row on their side for dewatering the pooled water.
    - Place cloth or mesh with ½ inch openings over all block openings.
    - Place gravel below the top of blocks on slopes of 2:1 or flatter.
    - An alternate design is a gravel donut.
  - b) **Gravel and wire mesh filters** consist of a gravel barrier placed over the top of an inlet. This structure generally does not provide overflow. Install as follows:
    - Cloth or comparable wire mesh with ½ inch openings is placed over inlet.
    - Coarse aggregate covers the cloth or mesh.
    - Height/depth of gravel should be 1 foot or more, 18 inches wider than inlet on all sides.
  - c) **Curb inlet protection with a wooden weir** is a barrier formed around an inlet with a wooden frame and gravel, installed as follows:
    - Construct a frame and attach wire mesh (½ inch openings) and filter fabric to the frame.
    - Pile coarse washed aggregate against the wire/fabric.
    - Place weight on frame anchors.
  - d) **Curb and gutter sediment barriers** (Figure D.2.1.5.H) consist of sandbags or rock berms (riprap and aggregate) 3 feet high and 3 feet wide in a horseshoe shape, installed as follows:
    - Bags of either burlap or woven geotextile fabric, filled with a variety of media such as gravel, wood chips, compost or sand stacked tightly allows water to pond and allows sediment to separate from runoff.
    - Leave a “one bag gap” in the top row of the barrier to provide a spillway for overflow.

- Construct a horseshoe shaped berm, faced with coarse aggregate if using riprap, 3 x 3 and at least 2 feet from the inlet.
  - Construct a horseshoe shaped sedimentation trap on the outside of the berm to sediment trap standards for protecting a culvert inlet.
4. **Excavated drop inlet sediment traps** are appropriate where relatively heavy flows are expected and overflow capability is needed. If emergency overflow is provided, additional end-of-pipe treatment may be required. Excavated drop inlets consist of an excavated impoundment area around a storm drain. Sediment settles out of the stormwater prior to enter the drain. Install according to the following specifications:
- a) The impoundment area should have a depth of 1 to 2 feet measured from the crest of the inlet structure.
  - b) Side slopes of the excavated area must be no steeper than 2:1.
  - c) Minimum volume of the excavated area should be 35 cubic yards.
  - d) Install provisions for draining the area to prevent standing water problems.
  - e) Keep the area clear of debris.
  - f) Weep holes may be drilled into the side of the inlet.
  - g) Protect weep holes with wire mesh and washed aggregate.
  - h) Weep holes must be sealed when removing and stabilizing excavated area.
  - i) A temporary dike may be necessary on the down slope side of the structure to prevent bypass flow.

### Maintenance Standards

1. Any accumulated sediment on or around inlet protection shall be removed immediately. Sediment shall not be removed with water, and all sediment must be disposed of as fill on site or hauled off site.
2. Any sediment in the catch basin insert shall be removed when the sediment has filled one-third of the available storage. The filter media for the insert shall be cleaned or replaced at least monthly.
3. Regular maintenance is critical for all forms of catch basin/inlet protection. Unlike many forms of protection that fail gradually, catch basin protection will fail suddenly and completely if not maintained properly.

**FIGURE D.2.1.5.E FILTER FABRIC PROTECTION**

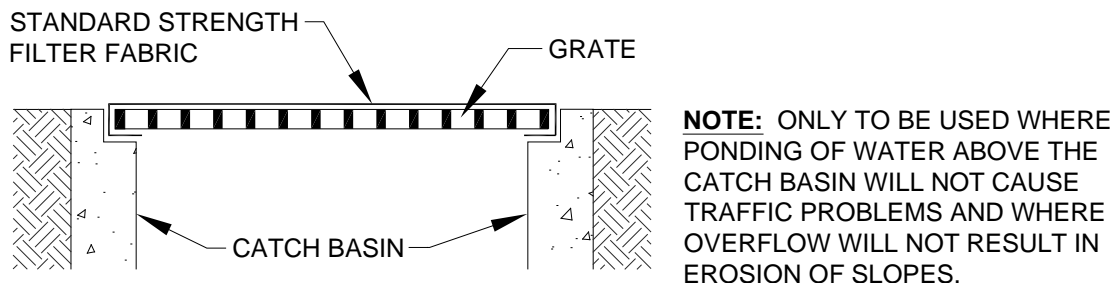
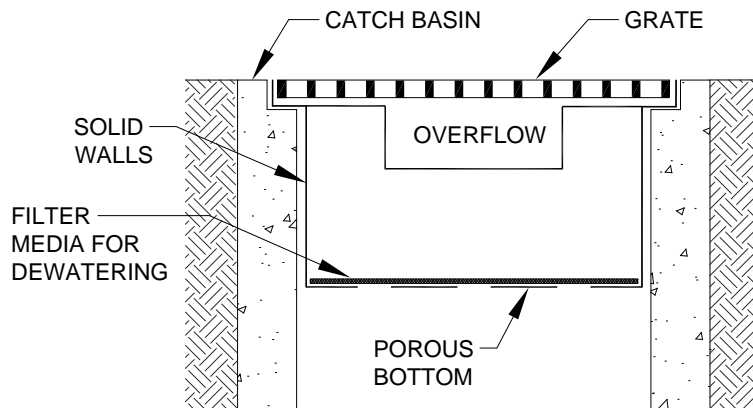




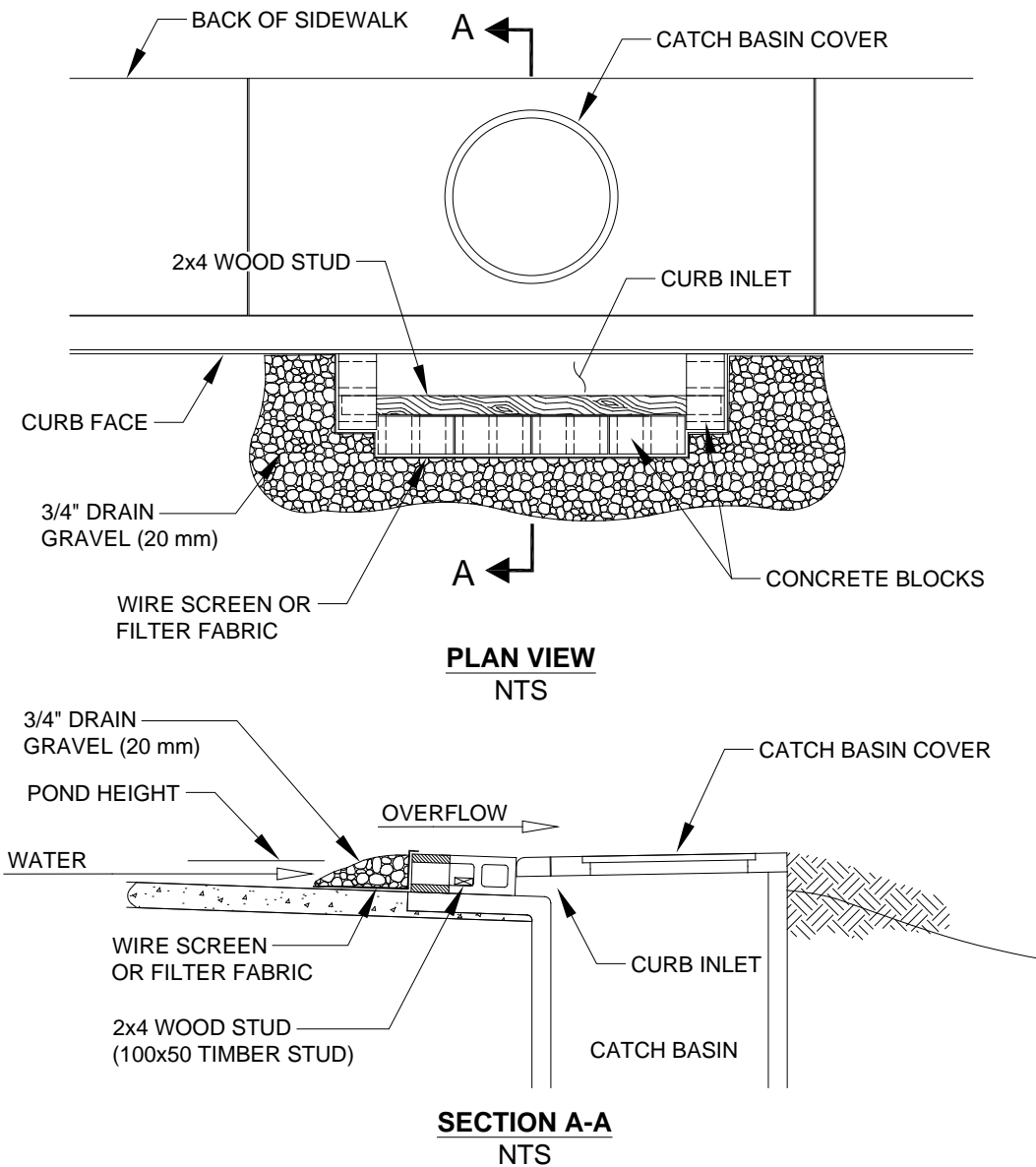
FIGURE D.2.1.5.F CATCH BASIN INSERT



**NOTE:** THIS DETAIL IS ONLY SCHEMATIC. ANY INSERT IS ALLOWED THAT HAS:

- A MIN. 0.5 C.F. OF STORAGE,
- THE MEANS TO DEWATER THE STORED SEDIMENT,
- AN OVERFLOW, AND
- CAN BE EASILY MAINTAINED.

**FIGURE D.2.1.5.G BLOCK AND GRAVEL CURB INLET PROTECTION**

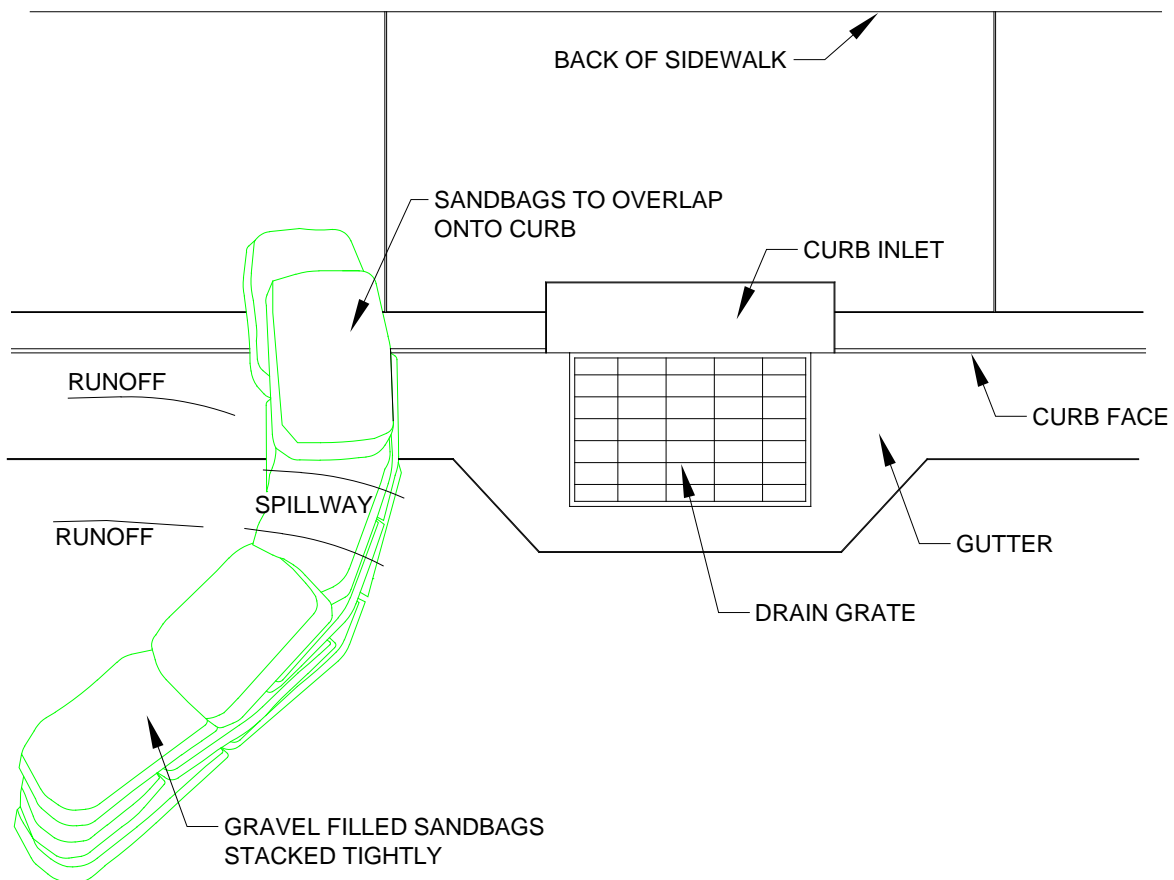


**NOTES:**

1. USE BLOCK AND GRAVEL TYPE SEDIMENT BARRIER WHEN CURB INLET IS LOCATED IN GENTLY SLOPING SEGMENT, WHERE WATER CAN POND AND ALLOW SEDIMENT TO SEPARATE FROM RUNOFF.
2. BARRIER SHALL ALLOW FOR OVERFLOW FROM SEVERE STORM EVENT.
3. INSPECT BARRIERS AND REMOVE SEDIMENT AFTER EACH STORM EVENT. SEDIMENT AND GRAVEL MUST BE REMOVED FROM THE TRAVELED WAY IMMEDIATELY.

**BLOCK AND GRAVEL CURB INLET PROTECTION**  
NTS

**FIGURE D.2.1.5.H CURB AND GUTTER BARRIER PROTECTION**



**PLAN VIEW**

NTS

**NOTES:**

1. PLACE CURB-TYPE SEDIMENT BARRIERS ON GENTLY SLOPING STREET SEGMENTS, WHERE WATER CAN POND AND ALLOW SEDIMENT TO SEPARATE FROM RUNOFF.
2. SANDBAGS OF EITHER BURLAP OR WOVEN GEOTEXTILE FABRIC ARE FILLED WITH GRAVEL, LAYERED AND PACKED TIGHTLY.
3. LEAVE A ONE-SANDBAG GAP IN THE TOP ROW TO PROVIDE A SPILLWAY FOR OVERFLOW.
4. INSPECT BARRIERS AND REMOVE SEDIMENT AFTER EACH STORM EVENT. SEDIMENT AND GRAVEL MUST BE REMOVED FROM THE TRAVELED WAY IMMEDIATELY.

**CURB AND GUTTER BARRIER**

NTS

### D.2.1.6 SURFACE WATER COLLECTION

All surface water from disturbed areas shall be intercepted, conveyed to a sediment pond or trap, and discharged downslope of any disturbed areas. An exception is for areas at the perimeter of the site with drainage areas small enough to be treated solely with perimeter protection (see Section D.2.1.3). Also, if the soils and topography are such that no offsite discharge of surface water is anticipated up to and including the developed 2-year runoff event, surface water controls are not required. A 10-year approved model 15-minute peak flow shall be used for sizing surface water controls if the project size, expected timing and duration of construction, or downstream conditions warrant a higher level of protection (see the introduction to Section D.2.1.5). At the City's discretion, sites may be worked during the dry season without surface water controls, if there is some other form of protection of surface waters, such as a 100-foot forested buffer between the disturbed areas and adjacent surface waters. Significant sources of upslope surface water that drain onto disturbed areas shall be intercepted and conveyed to a stabilized discharge point downslope of the disturbed areas. Surface water controls shall be installed concurrently with rough grading.

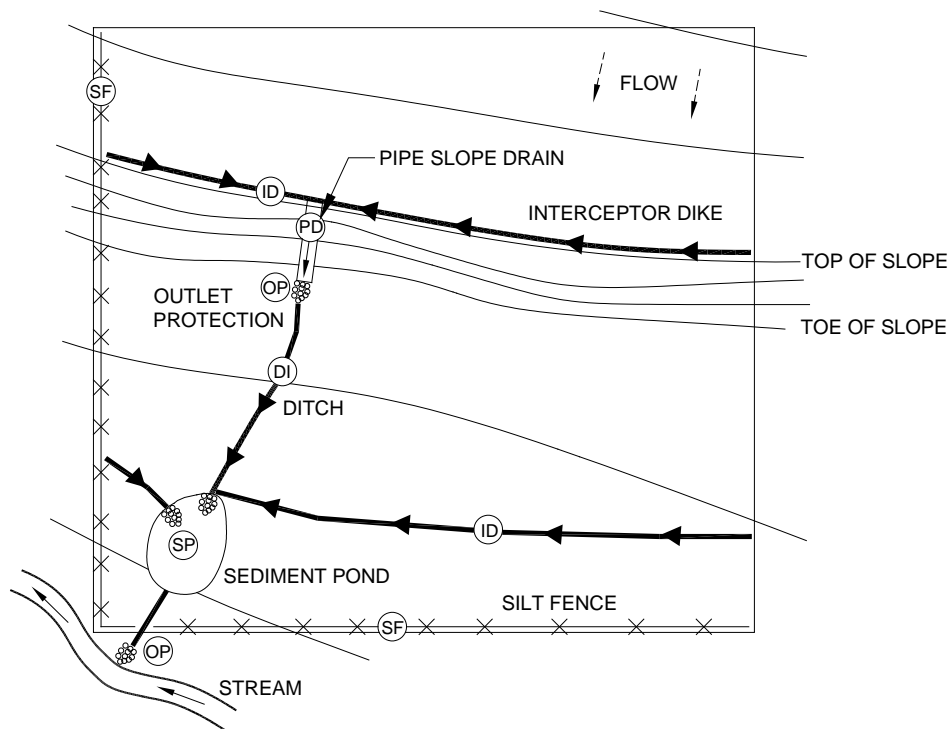
**Purpose:** The purpose of surface water control is to collect and convey surface water so that erosion is minimized, and runoff from disturbed areas is treated by a sediment pond or trap. Surface water control essentially consists of three elements:

1. Interception of runoff on and above slopes
2. Conveyance of the runoff to a sediment pond or trap (if the runoff was collected from a disturbed area)
3. Release of the runoff downslope of any disturbed areas.

**When to Install:** Surface water controls shall be constructed during the initial grading of an area and must be in place before there is any opportunity for storm runoff to cause erosion.

**Measures to Install:** Interceptor dikes/swales intercept runoff, ditches and pipe slope drains convey the runoff, and riprap or level spreaders help release the runoff in a non-erosive manner. Each measure is to be used under different circumstances so there is very little overlap. However, the two options for releasing water in a non-erosive manner, outlet protection and level spreaders, can be somewhat interchangeable. See Figure D.2.1.6.A for a schematic drawing demonstrating the use of these measures.

**FIGURE D.2.1.6.A SKETCH PLAN OF SURFACE WATER CONTROLS**



### D.2.1.6.1 INTERCEPTOR DIKE AND SWALE

Code: ID or IS

Symbol: or

#### Purpose

Interceptor dikes and swales intercept storm runoff from drainage areas on or above disturbed slopes and convey it to a sediment pond or trap. They may also be used to intercept runoff from undisturbed areas and convey the runoff to a point below any exposed soils. Interception of surface water reduces the possibility of slope erosion. Interceptor dikes and swales differ from ditches (see Section D.2.1.6.4) in that they are intended to convey smaller flows along low-gradient drainage ways to larger conveyance systems such as ditches or pipe slope drains.

#### Conditions of Use

Interceptor dikes and swales are required in the following situations:

1. At the top of all slopes in excess of 3H:1V and with more than 20 feet of vertical relief.
2. At intervals on any slope that exceeds the dimensions specified in this section for the horizontal spacing of dikes and swales.

#### Design and Installation Specifications

1. See Figure D.2.1.6.B for details of an interceptor dike and Figure D.2.1.6.C for an interceptor swale.
2. Interceptor dikes and swales shall be **spaced horizontally** as follows:

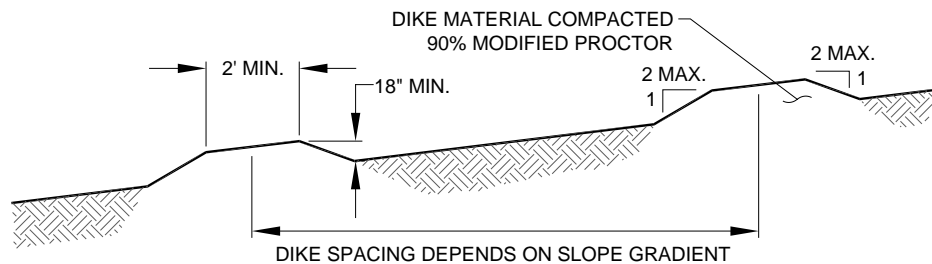
Average Slope	Slope Percent	Flowpath Length
20H:1V or less	3–5%	300 feet
(10 to 20)H:1V	5–10%	200 feet
(4 to 10)H:1V	10–25%	100 feet
(2 to 4)H:1V	25–50%	50 feet

3. For slopes steeper than 2H:1V with more than 10 feet of vertical relief, **benches** may be constructed or closer spaced interceptor dikes or swales may be used. Whichever measure is chosen, the spacing and capacity of the measures must be designed by the engineer and the design must include provisions for effectively intercepting the high velocity runoff associated with steep slopes.
4. If the dike or swale intercepts runoff from **disturbed areas**, it shall discharge to a stable conveyance system that routes the runoff to a sediment pond or trap (see Section D.2.1.5). If the dike or swale intercepts runoff that originates from **undisturbed areas**, it shall discharge to a stable conveyance system that routes the runoff downslope of any disturbed areas and releases the water at a stabilized outlet.
5. **Construction traffic** over temporary dikes and swales shall be minimized.

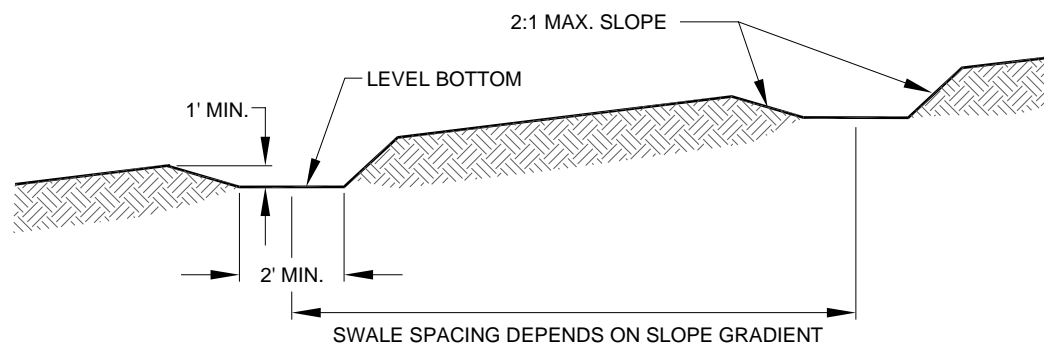
### Maintenance Standards

1. Damage resulting from runoff or construction activity shall be repaired immediately.
2. If the facilities do not regularly retain storm runoff, the capacity and/or frequency of the dikes/swales shall be increased.

**FIGURE D.2.1.6.B INTERCEPTOR DIKE**



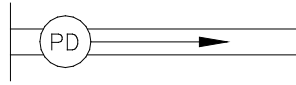
**FIGURE D.2.1.6.C INTERCEPTOR SWALE**



### D.2.1.6.2 PIPE SLOPE DRAINS

Code: PD

Symbol:



#### Purpose

Pipe slope drains are designed to carry concentrated runoff down steep slopes without causing erosion, or saturation of slide-prone soils. Pipe slope drains may be used to divert water away from or over bare soil to prevent gullies, channel erosion, and saturation of slide prone soils

#### Conditions of Use

Pipe slope drains should be used when a temporary or permanent stormwater conveyance is needed to move water down a steep slope to avoid erosion. Pipe slope drains may be:

1. Connected to new catch basins and used temporarily until all permanent piping is installed.
2. Used on any slope with a gradient of 2H:1V or greater and with at least 10 feet of vertical relief.
3. Used to drain water collected from aquifers exposed on cut slopes and convey it to the base of the slope.
4. Used to collect clean runoff from plastic sheet cover and direct away from any exposed soils.
5. Installed in conjunction with silt fence to drain collected water to a controlled area.
6. Used to divert small seasonal streams away from construction. Pipe slope drains have been used successfully on culvert replacement and extension projects. Large flex pipe may be used on larger streams during culvert removal, repair, or replacement.
7. Connected to existing downspouts and roof drains used to divert water away from work areas during building renovation, demolition, and construction projects.
8. Rock-lined ditches or other permanent, non-erosive conveyances used to convey runoff down steep slopes that are not steep slope hazard areas.

#### Design and Installation Specifications

1. See Figure D.2.1.6.D for details.
2. The **capacity** for temporary drains shall be sufficient to handle the developed 10-year peak flow using the approved model with 15-minute time steps. Up to 30,000 square feet may be drained by each 6-inch minimum diameter pipe without computation of the peak flow. Up to 2 acres may be drained by each 12-inch minimum diameter pipe. Otherwise, the peak flow will need to be computed using the Rational Method described in Section 3.2.1 of the *SWDM*.
3. The **maximum drainage area** allowed for any sized pipe is 10 acres. For larger areas, more than one pipe shall be used or a rock-lined channel shall be installed (see *SWDM* Section 4.4.1, "Open Channels").
4. The **soil** around and under the pipe and entrance section shall be thoroughly compacted.
5. The **flared inlet section** shall be securely connected to the slope drain and be fused or welded, or have flange-bolted mechanical joints to ensure a watertight seal. Ensure that the entrance area is stable and large enough to direct flow into the pipe.
6. Slope drains shall be continuously fused, welded, or flange-bolted mechanical joint pipe systems with proper anchoring to the soil.
7. Where slope drains cross steep **slope hazard areas** or their associated buffers, the installation shall be on the ground surface, accomplished with minimum alteration. In most circumstances, this requires that slope drains be constructed of corrugated metal, CPE, or equivalent pipe and installed by hand

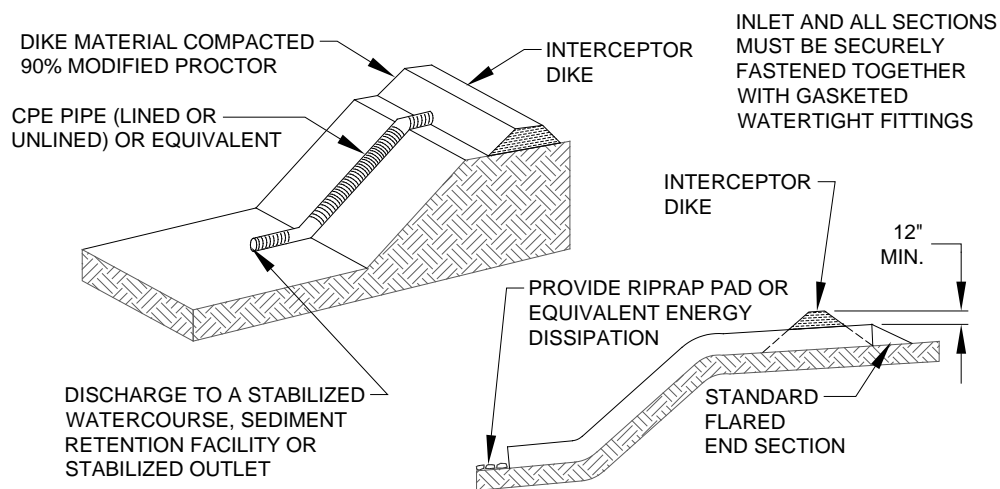
(see SWDM Section 4.2.1). Any area disturbed during installation or maintenance must be immediately stabilized.

8. If the pipe slope drain will convey **sediment-laden runoff**, the runoff must be directed to a sediment retention facility (see Section D.2.1.5). If the runoff is not from a disturbed area or is conveyed from a sediment trap or pond, it must be conveyed to a stabilized discharge point (see Section D.2.1.6.5).
9. Re-establish cover immediately on areas disturbed by the installation.

### Maintenance Standards

1. The inlet shall not be undercut or bypassed by water. If there are problems, the head wall shall be appropriately reinforced.
2. No erosion shall occur at the outlet point. If erosion occurs, additional protection shall be added.

**FIGURE D.2.1.6.D PIPE SLOPE DRAIN**



### D.2.1.6.3 SUBSURFACE DRAINS

#### Purpose

To intercept, collect, and convey ground water to a satisfactory outlet, using a perforated pipe or conduit below the ground surface. Subsurface drains are also known as “French Drains.” The perforated pipe provides a dewatering mechanism to drain excessively wet soils, provide a stable base for construction, improve stability of structures with shallow foundations, or to reduce hydrostatic pressure and to improve slope stability.

#### Conditions of Use

Use when excessive water must be removed from the soil. The soil permeability, depth to water table, and impervious layers are all factors that may govern the use of subsurface drains.

#### Design and Installation Specifications

1. Two types of drains may be used as follows:
  - a) **Relief drains** are used either to lower the water table in large, relatively flat areas, improve the growth of vegetation, or to remove surface water. They are installed along a slope and drain in the direction of the slope. They may be installed in a grid pattern, a herringbone pattern, or a random pattern.
  - b) **Interceptor drains** are used to remove excess groundwater from a slope, stabilize steep slopes, and lower the water table below a slope to prevent the soil from becoming saturated. They are



installed perpendicular to a slope and drain to the side of the slope. They usually consist of a single pipe or single pipes instead of a patterned layout.

2. **Size of Drains** – Size subsurface drains to carry the required capacity without pressurized flow. Minimum diameter for a subsurface drain is 4 inches.
3. **Outlet** – Ensure that the outlet of a drain empties into a channel or other watercourse above the normal water level.

### Maintenance Standards

1. Subsurface drains shall be checked periodically to ensure that they are free flowing and not clogged with sediment or roots.
2. The outlet shall be kept clear and free of debris.
3. Surface inlets shall be kept open and free of sediment and other debris.
4. Trees located too close to a subsurface drain often clog the system with roots. If a drain becomes clogged, relocate the drain or remove the trees as a last resort. Drain placement should be planned to minimize this problem.
5. Where drains are crossed by heavy equipment, the line shall be checked to ensure that it is not crushed and have adequate cover protection.

### D.2.1.6.4 DITCHES

Code: DI

Symbol:



#### Purpose

Ditches convey intercepted runoff from disturbed areas to and from sediment ponds or traps. They also convey runoff intercepted from undisturbed areas around the site to a non-erosive discharge point.

#### Conditions of Use

Ditches may be used anywhere that concentrated runoff is to be conveyed on or around the construction site. Temporary pipe systems may also be used to convey runoff.

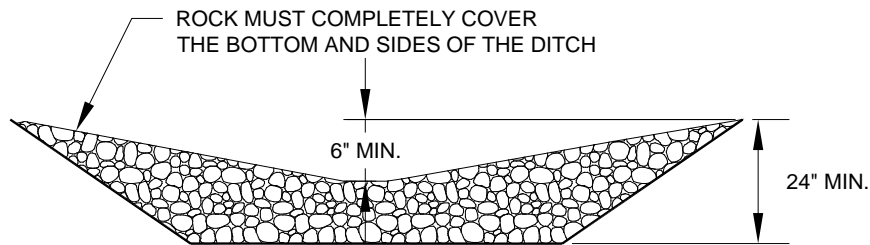
#### Design and Installation Specifications

1. Channels and ditches shall be sized to accommodate the developed condition 10-year approved model 15-minute peak flow with 0.5 feet of freeboard. If no hydrologic analysis is required for the site, the Rational Method may be used (see Section 3.2.1 of the *SWDM*).
2. See *SWDM* Section 4.4.1 for open-channel design requirements.
3. The only exception to the requirements of *SWDM* Section 4.4.1 is the use of check dams, rather than grass lining, for channels in which the design flow velocity does not exceed 5 fps. See Figure D.2.1.6.E for details on check dam installation.

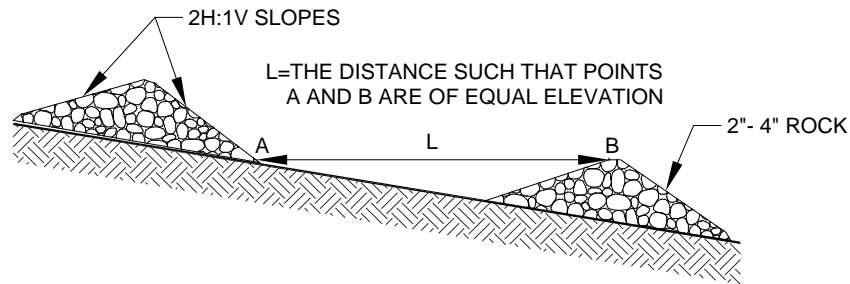
#### Maintenance Standards

1. Any sediment deposition of more than 0.5 feet shall be removed so that the channel is restored to its design capacity.
2. If the channel capacity is insufficient for the design flow, it must be determined whether the problem is local (e.g., a constriction or bend) or the channel is under-designed. If the problem is local, the channel capacity must be increased through construction of a berm(s) or by excavation. If the problem is under-design, the design engineer shall be notified and the channel redesigned to a more conservative standard to be approved by the City of Renton.
3. The channel shall be examined for signs of scouring and erosion of the bed and banks. If scouring or erosion has occurred, affected areas shall be protected by riprap or an erosion control blanket or net.

**FIGURE D.2.1.6.E CHECK DAMS**



**CROSS SECTION**

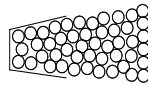


**CHECK DAM SPACING**

### D.2.1.6.5 OUTLET PROTECTION

Code: OP

Symbol:



#### Purpose

Outlet protection prevents scour at conveyance outlets.

#### Conditions of Use

Outlet protection is required at the outlets of all ponds, pipes, ditches, or other approved conveyances, and where runoff is conveyed to a natural or manmade drainage feature such as a stream, wetland, lake, or ditch.

#### Design and Installation Specifications

For the standard pipe slope drains in Section D.2.1.6.2 and other smaller conveyance systems, the standard rock pad (6 feet by 8 feet) made of 1-foot thick quarry spall is adequate. For all other outlets, the outlet protection shall meet the requirements of the “Outfalls” section of Core Requirement #4 and Section 4.2.2 of the *SWDM*.

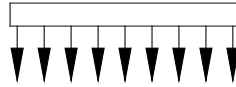
#### Maintenance Standards for Outlet Protection

If there is scour at the outlet, the eroded area shall be protected with more conservative measures proposed by the design engineer and approved by the City of Renton.

### D.2.1.6.6 LEVEL SPREADER

Code: LS

Symbol:



#### Purpose

Level spreaders convert concentrated runoff to sheet flow and release it onto areas stabilized by existing vegetation.

#### Conditions of Use

Level spreaders may be used where runoff from undisturbed areas or sediment retention facilities is discharged. This practice applies only where the spreader can be constructed on undisturbed soil and the area below the level lip is vegetated and low gradient (see below).

*Note: Level spreaders are conceptually an ideal way to release stormwater since the vegetation and soil allow for the removal of fines from runoff that cannot be removed by settling or filtration. Unfortunately, the performance record of spreaders in the field is dismal. They are frequently under-designed and, despite the best installations, are rarely perfectly level, which results in the release of stormwater at a particular point. This concentrated runoff can result in catastrophic erosion downslope. Given such design failures, **the use of spreaders is not encouraged**. However, where slopes are gentle and the water volume is relatively low, spreaders may still be the best method. When proposing their use, the designer shall carefully evaluate the site for possible concerns.*

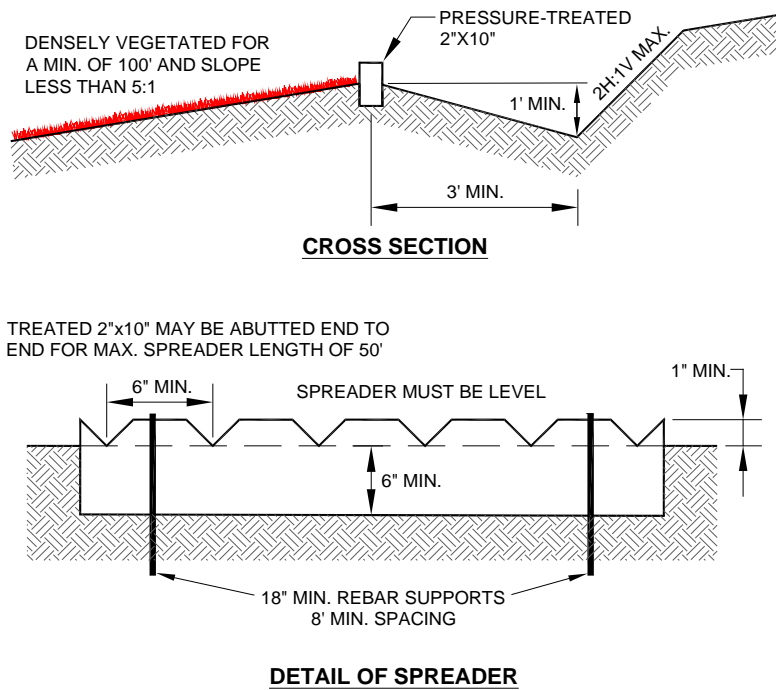
#### Design and Installation Specifications

1. See Figure D.2.1.6.F for detail. Other designs may be used subject to City approval.
2. If runoff velocity as it enters the level spreader is more than 4 fps for the developed condition 10-year approved model 15-minute peak flow, a **riprap apron** must be provided to dissipate energy before the runoff enters the spreader (Section D.2.1.6.5).
3. The **total spreader length** shall be at least the square root of the catchment area. The maximum length for an individual spreader is 50 feet, limiting the catchment area that a single spreader may serve to 2500 square feet. Although this is very small, four 50-foot level spreaders next to one another could serve nearly an acre (40,000 square feet). Multiple spreaders shall not be placed uphill or downhill from one another in a configuration that would allow water released from one spreader to enter a downslope spreader.
4. The area below the spreader for a horizontal distance of 100 feet shall not exceed 20 percent and shall be completely vegetated with no areas of instability or erosion. The topography for a horizontal distance of 50 feet below the spreader shall be uniform so that runoff is not funneled into a swale or channel immediately after its release.
5. The level spreader shall be **seeded and mulched** in accordance with Section D.2.1.2.

#### Maintenance Standards

1. Any damage to the spreader shall be immediately repaired. Ensure flows do not bypass the spreader at the ends of the spreader.
2. The downslope area shall be checked for signs of erosion and to verify that the spreader is not functioning as a point discharge. Any eroded areas shall be immediately stabilized, and the cause determined and eliminated if possible. If the erosion is recurrent and the design, even when properly installed and maintained, is not adequate to prevent erosion, a new method of releasing runoff shall be installed in accordance with the standards of this appendix. Any new design must be approved by the City of Renton.

FIGURE D.2.1.6.F LEVEL SPREADER



### D.2.1.7 DEWATERING CONTROL

Any runoff generated by dewatering shall be treated through construction of a sediment trap (Section D.2.1.5.1) when there is sufficient space or by releasing the water to a well vegetated, gently sloping area. Since pumps are used for dewatering, it may be possible to pump the sediment-laden water well away from the surface water so that vegetation can be more effectively utilized for treatment. Discharge of sediment-laden water from dewatering activities to surface and storm waters is prohibited. If dewatering occurs from areas where the water has come in contact with new concrete, such as tanks, vaults, or foundations, the pH of the water must be monitored and must be neutralized prior to discharge. Clean non-turbid dewatering water, such as well point ground water can be discharged to systems tributary to, or directly to surface waters provided the flows are controlled so no erosion or flooding occurs. Clean water must not be routed through a stormwater sediment pond. Highly turbid or contaminated dewatering water must be handled separately from stormwater.

**Purpose:** To prevent the untreated discharge of sediment-laden water from dewatering of utilities, excavated areas, foundations, etc.

**When to Install:** Dewatering control measures shall be used whenever there is a potential for runoff from dewatering of utilities, excavations, foundations, etc.

**Measures to install:**

1. Foundation, vault, excavation, and trench dewatering water that has similar characteristics to stormwater runoff at the site shall be discharged into a controlled conveyance system prior to discharge to a sediment trap or sediment pond. Foundation and trench dewatering water **that has similar characteristics to stormwater runoff** at the site must be disposed of through one of the following options depending on site constraints:
  - a) Infiltration,
  - b) Transport offsite in a vehicle, such as a vacuum flush truck, for legal disposal in a manner that does not pollute surface waters,

- c) Discharge to the sanitary sewer discharge with approval from King County and the City of Renton if there is no other option, or
  - d) Use of a sedimentation bag with outfall to a ditch or swale for small volumes of localized dewatering.
2. Clean, non-turbid dewatering water, such as well-point ground water, may be discharged via stable conveyance to systems tributary to surface waters, provided the dewatering flow does not cause erosion or flooding of receiving waters.
  3. **Highly turbid or contaminated dewatering water (high pH or other) shall be handled separately** from stormwater. See Section D.2.2 , *SWPPS Measures*.

### D.2.1.8 DUST CONTROL

Preventative measures to minimize the wind transport of soil shall be taken when a traffic hazard may be created or when sediment transported by wind is likely to be deposited in water resources or adjacent properties.

**Purpose:** To prevent wind transport of dust from exposed soil surfaces onto roadways, drainage ways, and surface waters.

**When to Install:** Dust control shall be implemented when exposed soils are dry to the point that wind transport is possible and roadways, drainage ways, or surface waters are likely to be impacted. Dust control measures may consist of chemical, structural, or mechanical methods.

**Measures to Install:** Water is the most common dust control (or palliative) used in the area. When using water for dust control, the exposed soils shall be sprayed until wet, but runoff shall not be generated by spraying. Calcium chloride, Magnesium chloride, Lignin derivatives, Tree Resin Emulsions, and Synthetic Polymer Emulsions may also be used for dust control. Exposed areas shall be re-sprayed as needed. Oil shall not be used for dust control. The following table lists many common dust control measures. Some of the measures are not recommended for use in the City and must have prior approval prior to use from the CED inspector assigned to specific projects.

TABLE D.2.1.8.A DUST CONTROL MEASURES			
Method	Considerations	Site Preparation	Recommended Application Rate
Water	<ul style="list-style-type: none"> <li>-Most commonly used practice</li> <li>-Evaporates quickly</li> <li>-Lasts less than 1 day</li> </ul>	<ul style="list-style-type: none"> <li>For all liquid agents:</li> <li>-Blade a small surface</li> <li>-Crown or slope surface to avoid ponding</li> <li>-Compact soils if needed</li> <li>-Uniformly pre-wet at 0.03 – 0.3 gal/sq yd</li> <li>-Apply solution under pressure. Overlap solution 6 – 12 inches</li> <li>-Allow treated area to cure 0 – 4 hours</li> <li>-Compact area after curing</li> <li>-Apply second treatment before first treatment becomes ineffective</li> </ul>	0.125 gal/sq yd every 20 to 30 minutes
Salts Calcium Chloride (CaCl)	<ul style="list-style-type: none"> <li>-Restricts evaporation</li> <li>-Lasts 6–12 months</li> <li>-Can be corrosive</li> <li>-Less effective in low humidity</li> <li>-Can build up in soils and leach by rain</li> </ul>		Apply 38% solution at 1.21L/m <sup>2</sup> (0.27 gal/yd <sup>2</sup> ) or as loose dry granules per manufacturer

TABLE D.2.1.8.A DUST CONTROL MEASURES

Method	Considerations	Site Preparation	Recommended Application Rate
Magnesium Chloride (MgCl)	<ul style="list-style-type: none"> <li>-Restricts evaporation</li> <li>-Works at higher temperatures and lower humidity than CaCl</li> <li>-May be more costly than CaCl</li> </ul>		Apply 26 – 32% solution at 2.3 L/m <sup>2</sup> (0.5 gal/yd <sup>2</sup> )
Sodium Chloride (NaCl)	<ul style="list-style-type: none"> <li>-Effective over smaller range of conditions</li> <li>-Less expensive</li> <li>-Can be corrosive</li> <li>-Less effective in low humidity</li> </ul>		Per Manufacturer
Silicates	<ul style="list-style-type: none"> <li>-Generally expensive</li> <li>-Available in small quantities</li> <li>-Require Second application</li> </ul>		
Surfactants	<ul style="list-style-type: none"> <li>-High evaporation rates</li> <li>-Effective for short time periods</li> <li>-Must apply frequently</li> </ul>		
Copolymers	<ul style="list-style-type: none"> <li>-Forms semi-permeable transparent crust</li> <li>-Resists ultraviolet radiation and moisture induced breakdown</li> <li>-Last 1 to 2 years</li> </ul>		750 – 940 L/ha (80 – 100 gal/ac)
Petroleum Products	<ul style="list-style-type: none"> <li>-Used oil is prohibited as a dust control method</li> <li>-Bind soil particles</li> <li>-May hinder foliage growth</li> <li>-Environmental and aesthetic concerns</li> <li>-Higher cost</li> </ul>		Use 57 – 63% resins as base. Apply at 750 – 940 L/ha (80–100 gal/ac)
Lignin Sulfonate	<ul style="list-style-type: none"> <li>-Paper industry waste product</li> <li>-Acts as dispersing agent</li> <li>-Best in dry climates</li> <li>-Can be slippery</li> <li>-Will decrease Dissolved Oxygen in waterways therefore cannot be used adjacent to surface water systems</li> </ul>		Loosen surface 25–50 mm (1–2 inches) Need 4–8% fines
Vegetable Oils	<ul style="list-style-type: none"> <li>-Coat grains of soils, so limited binding ability</li> <li>-May become brittle</li> <li>-Limited availability</li> </ul>		Per Manufacturer
Spray on Adhesives	<ul style="list-style-type: none"> <li>-Available as organic or synthetic</li> <li>-Effective on dry, hard soils</li> <li>-Forms a crust</li> <li>-Can last 3 to 4 years</li> </ul>		Per Manufacturer

### D.2.1.9 FLOW CONTROL

Surface water from disturbed areas must be routed through the project's onsite flow control facility or other provisions must be made to prevent increases in the existing site conditions 2-year and 10-year runoff peaks discharging from the project site during construction.

**Purpose:** The purpose of surface water flow control is to mitigate increases in runoff peaks that occur during construction as a result of clearing vegetation, compacting the soil, and adding impervious surface. Such increases can cause or aggravate downstream flooding and erosion.

**When to Install:** Surface water flow control shall be installed or otherwise provided prior to any clearing and/or grading of the site, except that required to construct the surface water flow control facilities.

**Measures to Use:** The project's onsite flow control facility or other equivalent storage facility that meets the peak-matching performance criteria stated above.

#### **D.2.1.10 PROTECT EXISTING AND PROPOSED STORMWATER FACILITIES AND ON-SITE BMPS**

Protection measures shall be applied/installed and maintained so as to prevent adverse impacts to existing stormwater facilities and on-site BMPs and areas of proposed stormwater facilities and on-site BMPs for the project. Adverse impacts can prompt the requirement to restore or replace affected stormwater facilities and on-site BMPs.

**Purpose:** The purpose of protecting existing and proposed stormwater facility and on-site BMP areas is to avoid sedimentation and soil compaction that would adversely affect infiltration, and also avoid contamination by other pollutants.

**When to Install:** Stormwater facility and on-site BMP area protection shall be installed or otherwise provided prior to any clearing and/or grading of the site, except that required to construct stormwater facilities and on-site BMPs.

**Measures to Use:**

1. Protect all stormwater facilities and on-site BMPs and proposed stormwater facility and on-site BMP footprints from sedimentation through installation and maintenance of erosion and sediment control BMPs on portions of the site that drain into the BMPs/facilities.
2. Stormwater facilities and on-site BMPs shall be restored to their fully functioning condition if they accumulate sediment during construction. Restoring the stormwater facilities and on-site BMPs shall include, at a minimum, removal of sediment and any sediment-laden bioretention soils, and replacing the removed soils with soils meeting the design specification. Replacement with a new fully-functioning stormwater facility and/or on-site BMP may be required if restoration to the fully-functioning condition can't be accomplished.
3. Prevent compacting Bioretention BMPs/facilities by excluding construction equipment and foot traffic. Protect completed lawn and landscaped areas from compaction due to construction equipment.
4. Control erosion and avoid introducing sediment from surrounding land uses onto permeable pavement BMPs. Do not allow muddy construction equipment on the base material or pavement. Do not allow sediment-laden runoff onto permeable pavements.
5. Permeable pavement BMPs fouled with sediments or no longer passing an initial infiltration test must be cleaned using procedures from Appendix A or the manufacturer's procedures.
6. Keep all heavy equipment off existing soils under stormwater facilities and on-site BMPs that have been excavated to final grade to retain the infiltration rate of the soils.

#### **D.2.1.11 MAINTAIN PROTECTIVE BMPS**

Protection measures shall be maintained to ensure continued performance of their intended function, to prevent adverse impacts to existing stormwater facilities and on-site BMPs and areas of proposed BMPs/facilities, and protect other disturbed areas of the project.

**Purpose:** The purpose of maintaining protective BMPs is to provide continuous erosion and sediment control protection throughout the life of the project, and avoid sedimentation, soil compaction and contamination by other pollutants that would adversely affect infiltration and surface runoff.

**When to Maintain:** Protection measures shall be monitored per Section D.2.4.4 at a minimum, and promptly maintained to fully functioning condition as necessary to ensure continued performance of their intended function.

**Measures to Use:**

1. Maintain and repair all temporary and permanent erosion and sediment control BMPs as needed to ensure continued performance of their intended function in accordance with BMP specifications.
2. Remove all temporary erosion and sediment control BMPs prior to final construction approval, or within 30 days after achieving *final* site stabilization or after the temporary BMPs are no longer needed.
3. Provide protection to all stormwater facilities and on-site BMPs installed for the permanent control of stormwater from sediment and compaction. All stormwater facilities and on-site BMPs that are to remain in place following completion of construction shall be examined and placed in full operating conditions. If sediment enters the stormwater facilities and/or on-site BMPs during construction, it shall be removed and the stormwater facility and on-site BMP shall be returned to the conditions specified in the construction documents or as required for full stormwater facility and on-site BMP replacement.
4. Remove or stabilize trapped sediment on site. Permanently stabilize disturbed soil resulting from removal of erosion and sediment control BMPs or vegetation.

### D.2.1.12 MANAGE THE PROJECT

Coordination and timing of site development activities relative to ESC concerns (Section D.2.4), and timely inspection, maintenance and update of protective measures (Section D.2.3) are necessary to effectively manage the project and ensure the success of protective ESC and SWPPS design and implementation.

Projects shall assign a qualified CSWPP Supervisor (Section D.2.3.1) to be the primary contact for ESC and SWPPP issues and reporting, coordination with subcontractors and implementation of the CSWPP plan as a whole.

**Measures to Use:**

1. Phase development projects to the maximum degree practicable and take into account seasonal work limits.
2. Inspection and monitoring – Inspect, maintain, and repair all BMPs as needed to ensure continued performance of their intended function. Conduct site inspections and monitoring in accordance with the Construction Stormwater General Permit and City requirements.
3. Maintaining an updated construction SWPPP – Maintain, update, and implement the SWPPP in accordance with the Construction Stormwater General Permit and City requirements.
4. Projects that disturb one or more acres must have, site inspections conducted by a Certified Erosion and Sediment Control Lead (CESCL) (see Section D.2.3.1). Project sites less than one acre (not part of a larger common plan of development or sale) may have a person without CESCL certification conduct inspections. By the initiation of construction, the SWPPP must identify the CESCL or inspector, who shall be present onsite or on-call at all times.

The CESCL or inspector (project sites less than one acre) must have the skills to assess the:

- Site conditions and construction activities that could impact the quality of stormwater.
- Effectiveness of erosion and sediment control measures used to control the quality of stormwater discharges.
- The CESCL or inspector must examine stormwater visually for the presence of suspended sediment, turbidity, discoloration, and oil sheen. They must evaluate the effectiveness of BMPs and determine if it is necessary to install, maintain, or repair BMPs to improve the quality of stormwater discharges.



Based on the results of the inspection, construction site operators must correct the problems identified by:

- Reviewing the SWPPP for compliance with all construction SWPPP elements and making appropriate revisions within 7 days of the inspection.
- Immediately beginning the process of fully implementing and maintaining appropriate source control and/or treatment BMPs as soon as possible, addressing the problems not later than within 10 days of the inspection. If installation of necessary treatment BMPs is not feasible within 10 days, the construction site operator may request an extension within the initial 10-day response period.
- Documenting BMP implementation and maintenance in the site log book (applies only to sites that have coverage under the Construction Stormwater General Permit).
- The CESCL or inspector must inspect all areas disturbed by construction activities, all BMPs, and all stormwater discharge points at least once every calendar week and within 24 hours of any discharge from the site. (For purposes of this condition, individual discharge events that last more than one day do not require daily inspections. For example, if a stormwater pond discharges continuously over the course of a week, only one inspection is required that week.) The CESCL or inspector may reduce the inspection frequency for temporary stabilized, inactive sites to once every calendar month.

## D.2.2 SWPPS MEASURES

This section details the SWPPS measures that are required to prevent, reduce, or eliminate the discharge of pollutants to onsite or adjacent stormwater systems or watercourses from construction-related activities such as materials delivery and storage, onsite equipment fueling and maintenance, demolition of existing buildings and disposition of demolition materials and other waste, and concrete handling, washout and disposal. These SWPPS measures represent *Best Management Practices (BMPs)*<sup>8</sup> for the control of pollutant drips and spills as well as other impacts related to construction such as increased pH in concrete construction and handling activities. Compliance with each of the SWPPS measures, and with any project-specific control measures, to the extent applicable and necessary to meet the performance criteria in Section D.2.2, and compliance with the CSWPP implementation requirements in Section D.2.4, constitutes overall compliance with the City's CSWPP Standards.

*Note: Additional measures shall be required by the City if the existing standards are insufficient to protect adjacent properties, drainage facilities, or water resources.*

The standards for each individual SWPPS measure are divided into four sections:

1. Purpose
2. Conditions of Use
3. Design and Installation Specifications
4. Maintenance Requirements.

Note that the "Conditions of Use" always refers to site conditions. As site conditions change, SWPPS measures must be changed to remain in compliance with the requirements of this appendix.

Whenever compliance with City SWPPS Standards is required, all of the following SWPPS measures must be considered for application to the project site as detailed in the following sections. The construction pollutant generating concerns addressed by the BMPs that follow include:

- Concrete handling, washout and disposal (specifically portland cement concrete)
- Sawcutting and surfacing activities
- Materials delivery, storage and containment

<sup>8</sup> *Best Management Practices (BMPs)* means the best available and reasonable physical, structural, managerial, or behavioral activities, that when singly or in combination, eliminate or reduce the contamination of surface and/or ground waters.

- Filtration and chemical treatment of construction water to facilitate disposal or discharge to approved locations
- Reporting requirements and documentation availability for specific BMP processes

Additionally, several of the ESC BMPs described in Section D.2.1 can be applicable to the SWPPS plan, e.g., use of cover, fencing and access protection to protect temporary materials storage locations. The applicant's material supplier may be a resource (subject to City approval) for BMPs to address specific project applications or proposals. Conditions of approval on adjustments may also specify additional requirements for the SWPPS plan.

### **D.2.2.1 CONCRETE HANDLING**

#### **Purpose**

Concrete work can generate process water and slurry that contain fine particles and high pH, both of which can violate water quality standards in the receiving water. Concrete spillage or concrete discharge to surface waters of the State is prohibited. Use this BMP to minimize and eliminate concrete, concrete process water, and concrete slurry from entering waters of the state.

#### **Conditions of Use**

Any time concrete is used, utilize these management practices. Concrete construction projects include, but are not limited to, curbs, sidewalks, roads, bridges, foundations, floors, stormwater vaults, retaining walls, driveways and runways.

#### **Design and Installation Specifications**

1. Ensure that washout of concrete trucks, chutes, pumps, and internals is performed at an approved off-site location or in designated concrete washout areas. Do not wash out concrete trucks onto the ground, or into storm drains, open ditches, streets, or streams. Refer to BMP D.2.2.2 for information on concrete washout areas.
2. Return unused concrete remaining in the truck and pump to the originating batch plant for recycling. Do not dump excess concrete on site, except in designated concrete washout areas.
3. Wash off hand tools including, but not limited to, screeds, shovels, rakes, floats, and trowels into formed areas only.
4. Wash equipment difficult to move, such as concrete pavers in areas that do not directly drain to natural or constructed stormwater conveyances.
5. Do not allow washdown from areas, such as concrete aggregate driveways, to drain directly to natural or constructed stormwater conveyances.
6. Contain washwater and leftover product in a lined container when no formed areas are available. Dispose of contained concrete in a manner that does not violate ground water or surface water quality standards.
7. Always use forms or solid barriers for concrete pours, such as pilings, within 15-feet of surface waters.
8. Refer to BMPs D.2.2.7 and D.2.2.8 for pH adjustment requirements.
9. Refer to the Construction Stormwater General Permit for pH monitoring requirements if the project involves one of the following activities:
  - Significant concrete work (greater than 1,000 cubic yards poured concrete or recycled concrete used over the life of a project).
  - The use of engineered soils amended with (but not limited to) Portland cement-treated base, cement kiln dust or fly ash.
  - Discharging stormwater to segments of water bodies on the 303(d) list (Category 5) for high pH.

#### **Maintenance Standards**

Check containers for holes in the liner daily during concrete pours and repair the same day.

## D.2.2.2 CONCRETE WASHOUT AREA

### Purpose

Prevent or reduce the discharge of pollutants to stormwater from concrete waste by conducting washout off-site, or performing onsite washout in a designated area to prevent pollutants from entering surface waters or ground water.

### Conditions of Use

Concrete washout area best management practices are implemented on construction projects where:

- Concrete is used as a construction material
- It is not possible to dispose of all concrete wastewater and washout off-site (ready mix plant, etc.).
- Concrete trucks, pumpers, or other concrete coated equipment are washed onsite.

*Note: If less than 10 concrete trucks or pumpers need to be washed out onsite, the washwater may be disposed of in a formed area awaiting concrete or an upland disposal site where it will not contaminate surface or ground water. The upland disposal site shall be at least 50 feet from sensitive areas such as storm drains, open ditches, or water bodies, including wetlands.*

### Design and Installation Specifications

#### Implementation

The following steps will help reduce stormwater pollution from concrete wastes:

1. Perform washout of concrete trucks at an approved off-site location or in designated concrete washout areas only.
2. Do not wash out concrete trucks onto the ground, or into storm drains, open ditches, streets, or streams.
3. Do not allow excess concrete to be dumped onsite, except in designated concrete washout areas.
4. Concrete washout areas may be prefabricated concrete washout containers, or self-installed structures (above-grade or below-grade).
5. Prefabricated containers are most resistant to damage and protect against spills and leaks. Companies may offer delivery service and provide regular maintenance and disposal of solid and liquid waste.
6. If self-installed concrete washout areas are used, below-grade structures are preferred over above-grade structures because they are less prone to spills and leaks.
7. Self-installed above-grade structures should only be used if excavation is not practical.

#### Education

1. Discuss the concrete management techniques described in this BMP with the ready-mix concrete supplier before any deliveries are made.
2. Educate employees and subcontractors on the concrete waste management techniques described in this BMP.
3. Arrange for contractor's superintendent or Certified Erosion and Sediment Control Lead (CESCL) to oversee and enforce concrete waste management procedures.
4. A sign should be installed adjacent to each temporary concrete washout facility to inform concrete equipment operators to utilize the proper facilities.

#### Contracts

Incorporate requirements for concrete waste management into concrete supplier and subcontractor agreements.

**Location and Placement**

1. Locate washout area at least 50 feet from sensitive areas such as storm drains, open ditches, or water bodies, including wetlands.
2. Allow convenient access for concrete trucks, preferably near the area where the concrete is being poured.
3. If trucks need to leave a paved area to access washout, prevent track-out with a pad of rock or quarry spalls (see BMP D.2.1.4.2). These areas should be far enough away from other construction traffic to reduce the likelihood of accidental damage and spills.
4. The number of facilities you install should depend on the expected demand for storage capacity.
5. On large sites with extensive concrete work, washouts should be placed in multiple locations for ease of use by concrete truck drivers.

**On-Site Temporary Concrete Washout Facility, Transit Truck Washout Procedures:**

1. Temporary concrete washout facilities shall be located a minimum of 50 feet from sensitive areas including storm drain inlets, open drainage facilities, and watercourses. (See Figures D.2.2.2.A, D.2.2.2.B, and D.2.2.2.C).
2. Concrete washout facilities shall be constructed and maintained in sufficient quantity and size to contain all liquid and concrete waste generated by washout operations.
3. Washout of concrete trucks shall be performed in designated areas only.
4. Concrete washout from concrete pumper bins can be washed into concrete pumper trucks and discharged into designated washout area or properly disposed of off-site.
5. Once concrete wastes are washed into the designated area and allowed to harden, the concrete should be broken up, removed, and disposed of per applicable solid waste regulations. Dispose of hardened concrete on a regular basis.
6. Temporary Above-Grade Concrete Washout Facility
  - a) Temporary concrete washout facility (type above grade) should be constructed as shown on the details below, with a recommended minimum length and minimum width of 10 ft, but with sufficient quantity and volume to contain all liquid and concrete waste generated by washout operations.
  - b) Plastic lining material should be a minimum of 10 mil polyethylene sheeting and should be free of holes, tears, or other defects that compromise the impermeability of the material.
7. Temporary Below-Grade Concrete Washout Facility
  - a) Temporary concrete washout facilities (type below grade) should be constructed as shown on the details below, with a recommended minimum length and minimum width of 10 ft. The quantity and volume should be sufficient to contain all liquid and concrete waste generated by washout operations.
  - b) Lath and flagging should be commercial type.
  - c) Plastic lining material shall be a minimum of 10 mil polyethylene sheeting and should be free of holes, tears, or other defects that compromise the impermeability of the material.
  - d) Liner seams shall be installed in accordance with manufacturers' recommendations.
  - e) Soil base shall be prepared free of rocks or other debris that may cause tears or holes in the plastic lining material.

---

## **Maintenance Standards**

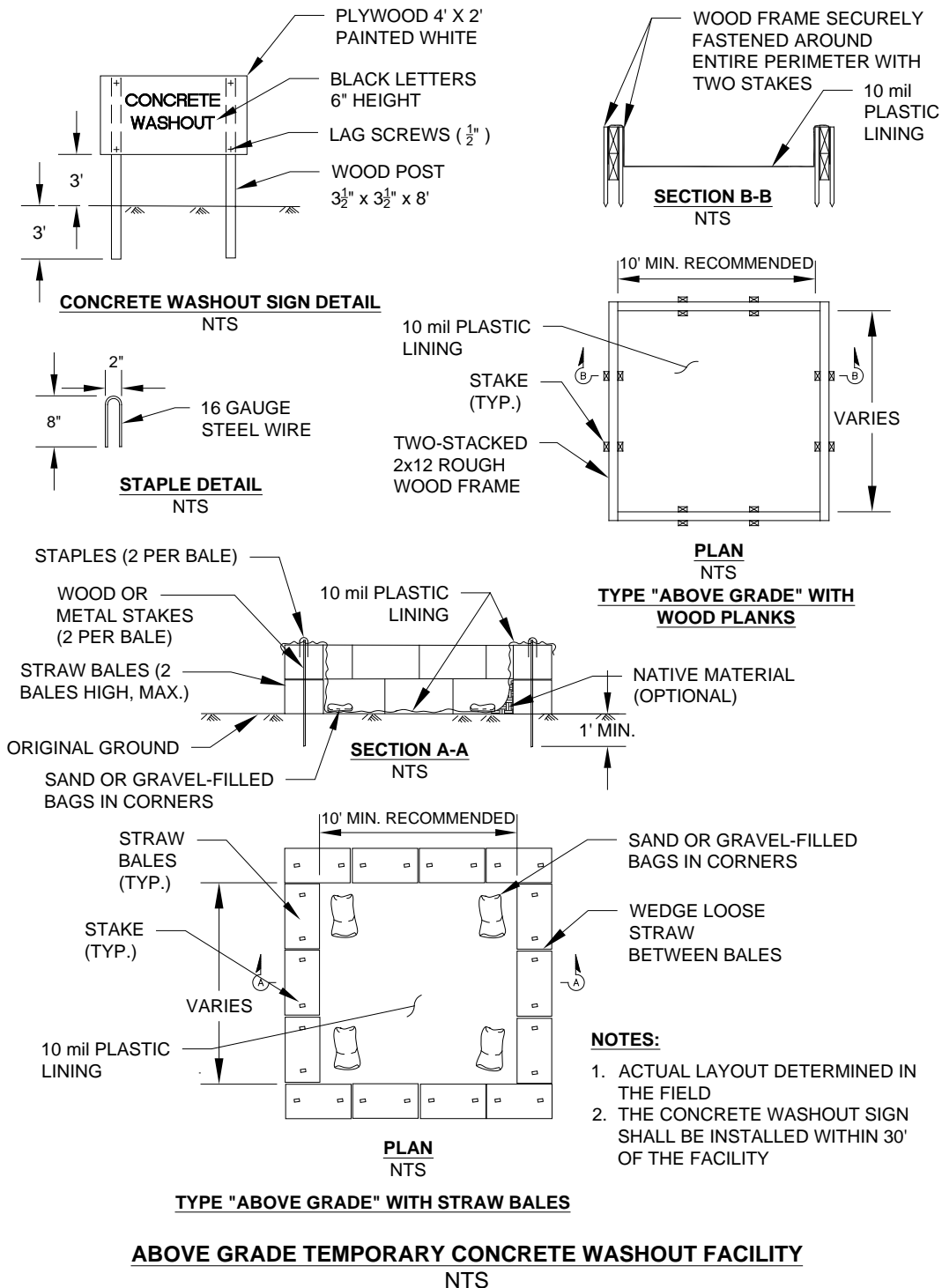
### **Inspection and Maintenance**

1. Inspect and verify that concrete washout BMPs are in place prior to the commencement of concrete work.
2. During periods of concrete work, inspect daily to verify continued performance.
  - a) Check overall condition and performance.
  - b) Check remaining capacity (% full).
  - c) If using self-installed washout facilities, verify plastic liners are intact and sidewalls are not damaged.
  - d) If using prefabricated containers, check for leaks.
3. Washout facilities shall be maintained to provide adequate holding capacity with a minimum freeboard of 12 inches.
4. Washout facilities must be cleaned, or new facilities must be constructed and ready for use once the washout is 75% full.
5. If the washout is nearing capacity, vacuum and dispose of the waste material in an approved manner.
  - a) Do not discharge liquid or slurry to waterways, storm drains or directly onto ground.
  - b) Do not use sanitary sewer without local approval.
  - c) Place a secure, non-collapsing, non-water collecting cover over the concrete washout facility prior to predicted wet weather to prevent accumulation and overflow of precipitation.
  - d) Remove and dispose of hardened concrete and return the structure to a functional condition. Concrete may be reused onsite or hauled away for disposal or recycling.
6. When you remove materials from the self-installed concrete washout, build a new structure; or, if the previous structure is still intact, inspect for signs of weakening or damage, and make any necessary repairs. Re-line the structure with new plastic after each cleaning.

### **Removal of Temporary Concrete Washout Facilities**

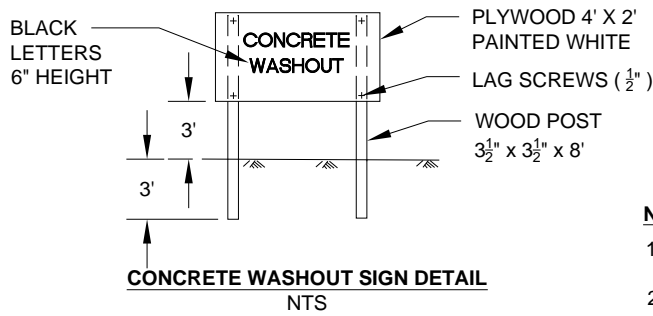
1. When temporary concrete washout facilities are no longer required for the work, the hardened concrete, slurries and liquids shall be removed and properly disposed of.
2. Materials used to construct temporary concrete washout facilities shall be removed from the site of the work and disposed of or recycled.
3. Holes, depressions or other ground disturbance caused by the removal of the temporary concrete washout facilities shall be backfilled, repaired, and stabilized to prevent erosion.

**FIGURE D.2.2.2.A CONCRETE WASHOUT AREA (ABOVE GRADE)**



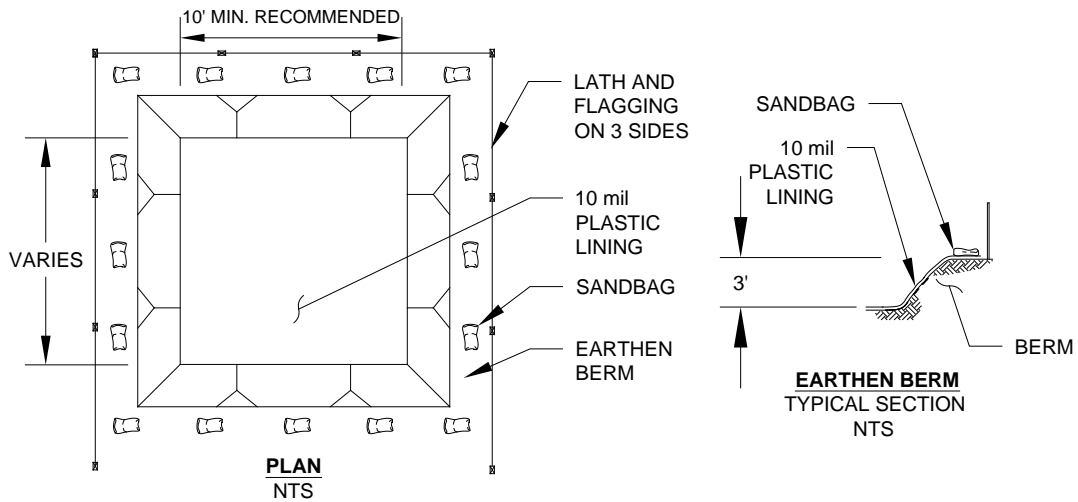
Adapted from CalTrans Fig4-14 SAC 8-14-02

**FIGURE D.2.2.2.B CONCRETE WASHOUT AREA (BELOW GRADE)**



**NOTES:**

1. ACTUAL LAYOUT DETERMINED IN THE FIELD
2. THE CONCRETE WASHOUT SIGN SHALL BE INSTALLED WITHIN 30' OF THE FACILITY

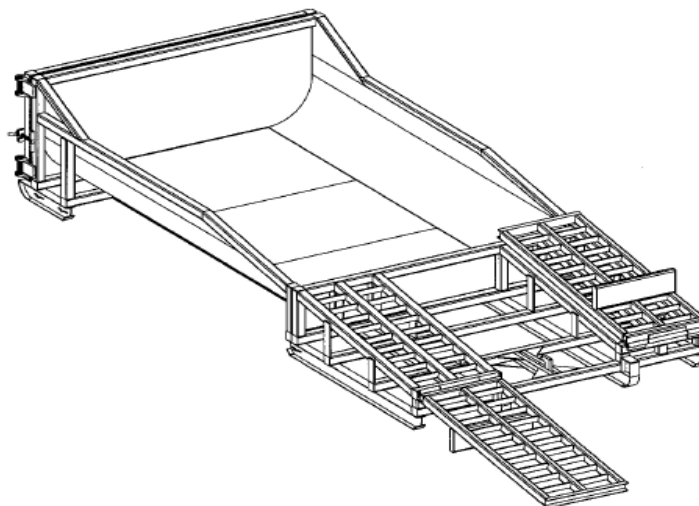


**BELOW GRADE TEMPORARY CONCRETE WASHOUT FACILITY**

NTS

Adapted from CalTrans Fig4-14 SAC 8-14-02

**FIGURE D.2.2.2.C PREFABRICATED CONCRETE WASHOUT CONTAINER W/RAMP**



### **D.2.2.3 SAWCUTTING AND SURFACING POLLUTION PREVENTION**

#### **Purpose**

Sawcutting and surfacing operations generate slurry and process water that contains fine particles and high pH (concrete cutting), both of which can violate the water quality standards in the receiving water. Concrete spillage or concrete discharge to surface waters of the State is prohibited. Use this BMP to minimize and eliminate process water and slurry created through sawcutting or surfacing from entering waters of the State.

#### **Conditions of Use**

Utilize these management practices anytime sawcutting or surfacing operations take place. Sawcutting and surfacing operations include, but are not limited to, sawing, coring, grinding, roughening, hydro-demolition, bridge and road surfacing

#### **Design and Installation Specifications**

1. Vacuum slurry and cuttings during cutting and surfacing operations.
2. Slurry and cuttings shall not remain on permanent concrete or asphalt pavement overnight.
3. Slurry and cuttings shall not drain to any natural or constructed drainage conveyance including stormwater systems. This may require temporarily blocking catch basins.
4. Dispose of collected slurry and cuttings in a manner that does not violate ground water or surface water quality standards.
5. Do not allow process water generated during hydro-demolition, surface roughening or similar operations to drain to any natural or constructed drainage conveyance including stormwater systems. Dispose process water in a manner that does not violate ground water or surface water quality standards.
6. Handle and dispose cleaning waste material and demolition debris in a manner that does not cause contamination of water. Dispose of sweeping material from a pick-up sweeper at an appropriate disposal site.

#### **Maintenance Standards**

Continually monitor operations to determine whether slurry, cuttings, or process water could enter waters of the state. If inspections show that a violation of water quality standards could occur, stop operations and immediately implement preventive measures such as berms, barriers, secondary containment, and vacuum trucks.

### **D.2.2.4 MATERIAL DELIVERY, STORAGE, AND CONTAINMENT**

#### **Purpose**

Prevent, reduce, or eliminate the discharge of pollutants to the stormwater system or watercourses from material delivery and storage. Minimize the storage of hazardous materials onsite, store materials in a designated area, and install secondary containment.

#### **Conditions of Use**

These procedures are suitable for use at all construction sites with delivery and storage of the following materials:

- Petroleum products such as fuel, oil and grease
- Soil stabilizers and binders (e.g., Polyacrylamide)
- Fertilizers, pesticides and herbicides
- Detergents
- Asphalt and concrete compounds



- Hazardous chemicals such as acids, lime, adhesives, paints, solvents and curing compounds
- Any other material that may be detrimental if released to the environment

### **Design and Installation Specifications**

The following steps should be taken to minimize risk:

1. Temporary storage area should be located away from vehicular traffic, near the construction entrance(s), and away from waterways or storm drains.
2. Material Safety Data Sheets (MSDS) should be supplied for all materials stored. Chemicals should be kept in their original labeled containers.
3. Hazardous material storage onsite should be minimized.
4. Hazardous materials should be handled as infrequently as possible.
5. During the wet weather season (October 1 – April 30), consider storing materials in a covered area.
6. Materials should be stored in secondary containments, such as earthen dike, horse trough, or even a children's wading pool for non-reactive materials such as detergents, oil, grease, and paints. Small amounts of material may be secondarily contained in "bus boy" trays or concrete mixing trays.
7. Do not store chemicals, drums, or bagged materials directly on the ground. Place these items on a pallet and, when possible, and within secondary containment.
8. If drums must be kept uncovered, store them at a slight angle to reduce ponding of rainwater on the lids to reduce corrosion. Domed plastic covers are inexpensive and snap to the top of drums, preventing water from collecting.

### **Material Storage Areas and Secondary Containment Practices:**

1. Liquids, petroleum products, and substances listed in 40 CFR Parts 110, 117, or 302 shall be stored in approved containers and drums and shall not be overfilled. Containers and drums shall be stored in temporary secondary containment facilities.
2. Temporary secondary containment facilities shall provide for a spill containment volume able to contain 10% of the total enclosed container volume of all containers, or 110% of the capacity of the largest container within its boundary, whichever is greater.
3. Secondary containment facilities shall be impervious to the materials stored therein for a minimum contact time of 72 hours.
4. Secondary containment facilities shall be maintained free of accumulated rainwater and spills. In the event of spills or leaks, accumulated rainwater and spills shall be collected and placed into drums. These liquids shall be handled as hazardous waste unless testing determines them to be non-hazardous.
5. Sufficient separation should be provided between stored containers to allow for spill cleanup and emergency response access.
6. During the wet weather season (October 1 – April 30), each secondary containment facility shall be covered during non-working days, prior to and during rain events.
7. Keep material storage areas clean, organized and equipped with an ample supply of appropriate spill clean-up material (spill kit).
8. The spill kit should include, at a minimum:
  - 1-Water Resistant Nylon Bag
  - 3-Oil Absorbent Socks 3" x 4'
  - 2-Oil Absorbent Socks 3" x 10'
  - 12-Oil Absorbent Pads 17" x 19"

- 1-Pair Splash Resistant Goggles
- 3-Pair Nitrile Gloves
- 10-Disposable Bags with Ties
- Instructions

### D.2.2.5 CONSTRUCTION STORMWATER CHEMICAL TREATMENT

#### Purpose

This BMP applies when using stormwater chemicals in batch treatment or flow-through treatment.

Turbidity is difficult to control once fine particles are suspended in stormwater runoff from a construction site. Sedimentation ponds are effective at removing larger particulate matter by gravity settling, but are ineffective at removing smaller particulates such as clay and fine silt. Traditional erosion and sediment control BMPs may not be adequate to ensure compliance with the water quality standards for turbidity in receiving water.

Chemical treatment can reliably provide exceptional reductions of turbidity and associated pollutants. Chemical treatment may be required to meet turbidity stormwater discharge requirements, especially when construction is to proceed through the wet season.

#### Conditions of Use

**Formal written approval from Ecology is required for the use of chemical treatment regardless of site size.** The City also requires review and approval. When approved, the chemical treatment systems must be included in the SWPPS portion of the project's CSWPP.

#### Design and Installation Specifications

Coagulation and flocculation have been used for over a century to treat water. It is used less frequently for the treatment of wastewater. The use of coagulation and flocculation for treating stormwater is a very recent application. Experience with the treatment of water and wastewater has resulted in a basic understanding of the process, in particular factors that affect performance. This experience can provide insights as to how to most effectively design and operate similar systems in the treatment of stormwater.

Fine particles suspended in water give it a milky appearance, measured as turbidity. Their small size, often much less than 1  $\mu\text{m}$  in diameter, give them a very large surface area relative to their volume. These fine particles typically carry a negative surface charge. Largely because of these two factors, small size and negative charge, these particles tend to stay in suspension for extended periods of time. Thus, removal is not practical by gravity settling. These are called stable suspensions. Polymers, as well as inorganic chemicals such as alum, speed the process of clarification. The added chemical destabilizes the suspension and causes the smaller particles to agglomerate. The process consists of three steps: coagulation, flocculation, and settling or clarification. Each step is explained below as well as the factors that affect the efficiency of the process.

**Coagulation:** Coagulation is the first step. It is the process by which negative charges on the fine particles that prevent their agglomeration are disrupted. Chemical addition is one method of destabilizing the suspension, and polymers are one class of chemicals that are generally effective. Chemicals that are used for this purpose are called coagulants. Coagulation is complete when the suspension is destabilized by the neutralization of the negative charges. Coagulants perform best when they are thoroughly and evenly dispersed under relatively intense mixing. This rapid mixing involves adding the coagulant in a manner that promotes rapid dispersion, followed by a short time period for destabilization of the particle suspension. The particles are still very small and are not readily separated by clarification until flocculation occurs.

**Flocculation:** Flocculation is the process by which fine particles that have been destabilized bind together to form larger particles that settle rapidly. Flocculation begins naturally following coagulation, but is enhanced by gentle mixing of the destabilized suspension. Gentle mixing helps to bring particles in contact with one another such that they bind and continually grow to form “flocs.” As the size of the flocs increases they become heavier and tend to settle more rapidly.

**Clarification:** The final step is the settling of the particles. Particle density, size and shape are important during settling. Dense, compact flocs settle more readily than less dense, fluffy flocs. Because of this, flocculation to form dense, compact flocs is particularly important during water treatment. Water temperature is important during settling. Both the density and viscosity of water are affected by temperature; these in turn affect settling. Cold temperatures increase viscosity and density, thus slowing down the rate at which the particles settle.

The conditions under which clarification is achieved can affect performance. Currents can affect settling. Currents can be produced by wind, by differences between the temperature of the incoming water and the water in the clarifier, and by flow conditions near the inlets and outlets.

Quiescent water such as that which occurs during batch clarification provides a good environment for effective performance as many of these factors become less important in comparison to typical sedimentation basins. One source of currents that is likely important in batch systems is movement of the water leaving the clarifier unit. Given that flocs are relatively small and light the exit velocity of the water must be as low as possible. Sediment on the bottom of the basin can be resuspended and removed by fairly modest velocities.

**Coagulants:** Polymers are large organic molecules that are made up of subunits linked together in a chain-like structure. Attached to these chain-like structures are other groups that carry positive or negative charges, or have no charge. Polymers that carry groups with positive charges are called cationic, those with negative charges are called anionic, and those with no charge (neutral) are called nonionic.

Cationic polymers can be used as coagulants to destabilize negatively charged turbidity particles present in natural waters, wastewater and stormwater. Aluminum sulfate (alum) can also be used as this chemical becomes positively charged when dispersed in water. In practice, the only way to determine whether a polymer is effective for a specific application is to perform preliminary or onsite testing.

Polymers are available as powders, concentrated liquids, and emulsions (which appear as milky liquids). The latter are petroleum based, which are not allowed for construction stormwater treatment. Polymer effectiveness can degrade with time and also from other influences. Thus, manufacturers’ recommendations for storage should be followed. Manufacturer’s recommendations usually do not provide assurance of water quality protection or safety to aquatic organisms. Consideration of water quality protection is necessary in the selection and use of all polymers.

#### **Criteria for Chemical Treatment Product Use:**

Chemically treated stormwater discharged from construction sites must be nontoxic to aquatic organisms. The Chemical Technology Assessment Protocol (CTAPE) must be used to evaluate chemicals proposed for stormwater treatment. Only chemicals approved by Ecology under the CTAPE may be used for stormwater treatment. The approved chemicals, their allowable application techniques (batch treatment or flow-through treatment), allowable application rates, and conditions of use can be found at the Department of Ecology Emerging Technologies website:

<http://www.ecy.wa.gov/programs/wq/stormwater/newtech/technologies.html>.

#### **Treatment System Design Considerations:**

The design and operation of a chemical treatment system should take into consideration the factors that determine optimum, cost-effective performance. It is important to recognize the following:

- Only Ecology approved chemicals may be used and must follow approved dose rate.
- The pH of the stormwater must be in the proper range for the polymers to be effective, which is typically 6.5 to 8.5

- The coagulant must be mixed rapidly into the water to ensure proper dispersion.
- A flocculation step is important to increase the rate of settling, to produce the lowest turbidity, and to keep the dosage rate as low as possible.
- Too little energy input into the water during the flocculation phase results in flocs that are too small and/or insufficiently dense. Too much energy can rapidly destroy floc as it is formed.
- Care must be taken in the design of the withdrawal system to minimize outflow velocities and to prevent floc discharge. Discharge from a batch treatment system should be directed through a physical filter such as a vegetated swale that would catch any unintended floc discharge. Currently, flow-through systems always discharge through the chemically enhanced sand filtration system.
- System discharge rates must take into account downstream conveyance integrity.

**Polymer Batch Treatment Process Description:**

A batch chemical treatment system consists of the stormwater collection system (either temporary diversion or the permanent site drainage system), a storage pond, pumps, a chemical feed system, treatment cells, and interconnecting piping.

The batch treatment system shall use a minimum of two lined treatment cells in addition to an untreated stormwater storage pond. Multiple treatment cells allow for clarification of treated water while other cells are being filled or emptied. Treatment cells may be ponds or tanks. Ponds with constructed earthen embankments greater than six feet high or which impound more than 10 acre-feet require special engineering analyses. The Ecology Dam Safety Section has specific design criteria for dams in Washington State (see <<http://www.ecy.wa.gov/programs/wr/dams/GuidanceDocs.html>>).

Stormwater is collected at interception point(s) on the site and is diverted by gravity or by pumping to an untreated stormwater storage pond or other untreated stormwater holding area. The stormwater is stored until treatment occurs. It is important that the holding pond be large enough to provide adequate storage.

The first step in the treatment sequence is to check the pH of the stormwater in the untreated stormwater storage pond. The pH is adjusted by the application of carbon dioxide or a base until the stormwater in the storage pond is within the desired pH range, 6.5 to 8.5. When used, carbon dioxide is added immediately downstream of the transfer pump. Typically sodium bicarbonate (baking soda) is used as a base, although other bases may be used. When needed, base is added directly to the untreated stormwater storage pond. The stormwater is recirculated with the treatment pump to provide mixing in the storage pond. Initial pH adjustments should be based on daily bench tests. Further pH adjustments can be made at any point in the process.

Once the stormwater is within the desired pH range (dependent on polymer being used), the stormwater is pumped from the untreated stormwater storage pond to a treatment cell as polymer is added. The polymer is added upstream of the pump to facilitate rapid mixing.

After polymer addition, the water is kept in a lined treatment cell for clarification of the sediment-floc. In a batch mode process, clarification typically takes from 30 minutes to several hours. Prior to discharge samples are withdrawn for analysis of pH, flocculent chemical concentration, and turbidity. If both are acceptable, the treated water is discharged.

Several configurations have been developed to withdraw treated water from the treatment cell. The original configuration is a device that withdraws the treated water from just beneath the water surface using a float with adjustable struts that prevent the float from settling on the cell bottom. This reduces the possibility of picking up sediment-floc from the bottom of the pond. The struts are usually set at a minimum clearance of about 12 inches; that is, the float will come within 12 inches of the bottom of the cell. Other systems have used vertical guides or cables which constrain the float, allowing it to drift up and down with the water level. More recent designs have an H-shaped array of pipes, set on the horizontal.

This scheme provides for withdrawal from four points rather than one. This configuration reduces the likelihood of sucking settled solids from the bottom. It also reduces the tendency for a vortex to form. Inlet diffusers, a long floating or fixed pipe with many small holes in it, are also an option.

Safety is a primary concern. Design should consider the hazards associated with operations, such as sampling. Facilities should be designed to reduce slip hazards and drowning. Tanks and ponds should have life rings, ladders, or steps extending from the bottom to the top.

### **Polymer Flow-Through Treatment Process Description:**

At a minimum, a flow-through chemical treatment system consists of the stormwater collection system (either temporary diversion or the permanent site drainage system), an untreated stormwater storage pond, and the chemically enhanced sand filtration system.

Stormwater is collected at interception point(s) on the site and is diverted by gravity or by pumping to an untreated stormwater storage pond or other untreated stormwater holding area. The stormwater is stored until treatment occurs. It is important that the holding pond be large enough to provide adequate storage.

Stormwater is then pumped from the untreated stormwater storage pond to the chemically enhanced sand filtration system where polymer is added. Adjustments to pH may be necessary before chemical addition. The sand filtration system continually monitors the stormwater for turbidity and pH. If the discharge water is ever out of an acceptable range for turbidity or pH, the water is recycled to the untreated stormwater pond where it can be retreated.

*For batch treatment and flow-through treatment*, the following equipment should be located in a lockable shed:

- The chemical injector.
- Secondary containment for acid, caustic, buffering compound, and treatment chemical.
- Emergency shower and eyewash.
- Monitoring equipment which consists of a pH meter and a turbidimeter.

### **System Sizing:**

Certain sites are required to implement flow control for the developed sites. These sites must also control stormwater release rates during construction. Generally, these are sites that discharge stormwater directly, or indirectly, through a conveyance system, into a fresh water. System sizing is dependent on flow control requirements.

#### ***Sizing Criteria for Batch Treatment Systems for Flow Control Exempt Water Bodies:***

The total volume of the untreated stormwater storage pond and treatment ponds or tanks must be large enough to treat stormwater that is produced during multiple day storm events. It is recommended that at a minimum the untreated stormwater storage pond be sized to hold 1.5 times the runoff volume of the 10-year, 24-hour storm event. Bypass should be provided around the chemical treatment system to accommodate extreme storm events. Runoff volume shall be calculated using the methods presented in Chapter 3 of the *SWDM*. Worst-case land cover conditions (i.e., producing the most runoff) should be used for analyses (in most cases, this would be the land cover conditions just prior to final landscaping).

Primary settling should be encouraged in the untreated stormwater storage pond. A forebay with access for maintenance may be beneficial.

There are two opposing considerations in sizing the treatment cells. A larger cell is able to treat a larger volume of water each time a batch is processed. However, the larger the cell the longer the time required to empty the cell. A larger cell may also be less effective at flocculation and therefore require a longer settling time. The simplest approach to sizing the treatment cell is to multiply the allowable discharge flow rate times the desired drawdown time. A 4-hour drawdown time allows one batch per cell per 8-hour work period, given 1 hour of flocculation followed by two hours of settling.

If the discharge is directly to a direct discharge exempt receiving water in Section 1.2.3 (Core Requirement #3) of the *SWDM*, or to an infiltration system, there is no discharge flow limit.

Ponds sized for flow control water bodies must at a minimum meet the sizing criteria for direct discharge exempt receiving waters.

***Sizing Criteria for Flow-Through Treatment Systems for Flow Control Exempt Water Bodies:***

When sizing storage ponds or tanks for flow-through systems for flow control exempt water bodies, the treatment system capacity should be a factor. The untreated stormwater storage pond or tank should be sized to hold 1.5 times the runoff volume of the 10-year, 24-hour storm event minus the treatment system flowrate for an 8-hour period. For a chitosan-enhanced sand filtration system, the treatment system flowrate should be sized using a hydraulic loading rate between 6 to 8 gpm/ft<sup>2</sup>. Other hydraulic loading rates may be more appropriate for other systems. Bypass should be provided around the chemical treatment system to accommodate extreme storms. Runoff volume shall be calculated using the methods presented in Chapter 3 of the *SWDM*. Worst-case land cover conditions (i.e., producing the most runoff) should be used for analyses (in most cases, this would be the land cover conditions just prior to final landscaping).

***Sizing Criteria for Flow Control Water Bodies:***

Sites that must implement flow control for the developed site condition must also control stormwater release rates during construction. Construction site stormwater discharges shall not exceed the discharge durations of the pre-developed condition for the range of pre-developed discharge rates from ½ of the 2-year flow through the 10-year flow as predicted by an approved continuous runoff model. The pre-developed condition to be matched shall be the land cover condition immediately prior to the development project. This restriction on release rates can affect the size of the storage pond and treatment cells.

The following is how WWHM can be used to determine the release rates from the chemical treatment systems:

1. Determine the pre-developed flow durations to be matched by entering the existing land use area under the “Pre-developed” scenario in WWHM. The default flow range is from ½ of the 2-year flow through the 10-year flow.
2. Enter the post developed land use area in the “Developed Unmitigated” scenario in WWHM.
3. Copy the land use information from the “Developed Unmitigated” to “Developed Mitigated” scenario.
4. While in the “Developed Mitigated” scenario, add a pond element under the basin element containing the post-developed land use areas. This pond element represents information on the available untreated stormwater storage and discharge from the chemical treatment system. In cases where the discharge from the chemical treatment system is controlled by a pump, a stage/storage/discharge (SSD) table representing the pond must be generated outside WWHM and imported into WWHM. WWHM can route the runoff from the post-developed condition through this SSD table (the pond) and determine compliance with the flow duration standard. This would be an iterative design procedure where if the initial SSD table proved to be inadequate, the designer would have to modify the SSD table outside WWHM and re-import in WWHM and route the runoff through it again. The iteration will continue until a pond that complies with the flow duration standard is correctly sized.

Notes on SSD table characteristics:

- The pump discharge rate would likely be initially set at just below ½ of the 2-year flow from the pre-developed condition. As runoff coming into the untreated stormwater storage pond increases and the available untreated stormwater storage volume gets used up, it would be necessary to increase the pump discharge rate above ½ of the 2-year. The increase(s) above ½ of the 2-year must be such that they provide some relief to the untreated stormwater storage needs but at the same time will not cause violations of the flow duration standard at the higher flows. The final design SSD table will identify the appropriate pumping rates and the corresponding stage and storages.
- When building such a flow control system, the design must ensure that any automatic adjustments to the pumping rates will be as a result of changes to the available storage in accordance with the final design SSD table.

5. It should be noted that the above procedures would be used to meet the flow control requirements. The chemical treatment system must be able to meet the runoff treatment requirements. It is likely that the discharge flow rate of ½ of the 2-year or more may exceed the treatment capacity of the system. If that is the case, the untreated stormwater discharge rate(s) (i.e., influent to the treatment system) must be reduced to allow proper treatment. Any reduction in the flows would likely result in the need for a larger untreated stormwater storage volume.

If the discharge is to a municipal storm drainage system, the allowable discharge rate may be limited by the capacity of the public system. It may be necessary to clean the municipal storm drainage system prior to the start of the discharge to prevent scouring solids from the drainage system. If the municipal storm drainage system discharges to a water body not on the flow control exempt list, the project site is subject to flow control requirements. Obtain permission from the owner of the collection system before discharging to it.

If system design does not allow you to discharge at the slower rates as described above and if the site has a retention or detention pond that will serve the planned development, the discharge from the treatment system may be directed to the permanent retention/detention pond to comply with the flow control requirement. In this case, the untreated stormwater storage pond and treatment system will be sized according to the sizing criteria for flow-through treatment systems for flow control exempt water bodies described earlier except all discharge (water passing through the treatment system and stormwater bypassing the treatment system) will be directed into the permanent retention/detention pond. If site constraints make locating the untreated stormwater storage pond difficult, the permanent retention/detention pond may be divided to serve as the untreated stormwater storage pond and the post-treatment flow control pond. A berm or barrier must be used in this case so the untreated water does not mix with the treated water. Both untreated stormwater storage requirements, and adequate post-treatment flow control must be achieved. The post-treatment flow control pond's revised dimensions must be entered into the WWHM and the WWHM must be run to confirm compliance with the flow control requirement.

## **Maintenance Standards**

### **Monitoring:**

At a minimum, the following monitoring shall be conducted. Test results shall be recorded on a daily log kept on site. Additional testing may be required by the NPDES permit based on site conditions.

#### **Operational Monitoring:**

- Total volume treated and discharged.
- Flow must be continuously monitored and recorded at not greater than 15-minute intervals.
- Type and amount of chemical used for pH adjustment.
- Amount of polymer used for treatment.
- Settling time.

#### **Compliance Monitoring:**

Influent and effluent pH, flocculent chemical concentration, and turbidity must be continuously monitored and recorded at not greater than 15-minute intervals. pH and turbidity of the receiving water.

#### **Biomonitoring:**

Treated stormwater must be non-toxic to aquatic organisms. Treated stormwater must be tested for aquatic toxicity or residual chemicals. Frequency of biomonitoring will be determined by Ecology.

Residual chemical tests must be approved by Ecology prior to their use.

If testing treated stormwater for aquatic toxicity, you must test for acute (lethal) toxicity. Bioassays shall be conducted by a laboratory accredited by Ecology, unless otherwise approved by Ecology. Acute toxicity tests shall be conducted per the CTAPE protocol.

**Discharge Compliance:**

Prior to discharge, treated stormwater must be sampled and tested for compliance with pH, flocculent chemical concentration, and turbidity limits. These limits may be established by the Construction Stormwater General Permit or a site-specific discharge permit. Sampling and testing for other pollutants may also be necessary at some sites. pH must be within the range of 6.5 to 8.5 standard units and not cause a change in the pH of the receiving water of more than 0.2 standard units. Treated stormwater samples and measurements shall be taken from the discharge pipe or another location representative of the nature of the treated stormwater discharge. Samples used for determining compliance with the water quality standards in the receiving water shall not be taken from the treatment pond prior to decanting. Compliance with the water quality standards is determined in the receiving water.

**Operator Training:**

Each contractor who intends to use chemical treatment shall be trained by an experienced contractor. Each site using chemical treatment must have an operator trained and certified by an organization approved by Ecology.

**Standard BMPs:**

Surface stabilization BMPs should be implemented on site to prevent significant erosion. All sites shall use a truck wheel wash to prevent tracking of sediment off site.

**Sediment Removal and Disposal:**

- Sediment shall be removed from the storage or treatment cells as necessary. Typically, sediment removal is required at least once during a wet season and at the decommissioning of the cells. Sediment remaining in the cells between batches may enhance the settling process and reduce the required chemical dosage.
- Sediment that is known to be non-toxic may be incorporated into the site away from drainages.

**D.2.2.6 CONSTRUCTION STORMWATER FILTRATION****Purpose**

Filtration removes sediment from runoff originating from disturbed areas of the site.

**Background Information:**

Filtration with sand media has been used for over a century to treat water and wastewater. The use of sand filtration for treatment of stormwater has developed recently, generally to treat runoff from streets, parking lots, and residential areas. The application of filtration to construction stormwater treatment is currently under development.

**Conditions of Use**

Traditional BMPs used to control soil erosion and sediment loss from sites under development may not be adequate to ensure compliance with the water quality standard for turbidity in the receiving water. Filtration may be used in conjunction with gravity settling to remove sediment as small as fine silt (0.5  $\mu\text{m}$ ). The reduction in turbidity will be dependent on the particle size distribution of the sediment in the stormwater. In some circumstances, sedimentation and filtration may achieve compliance with the water quality standard for turbidity.

The use of construction stormwater filtration does not require approval from Ecology as long as treatment chemicals are not used. Filtration in conjunction with polymer treatment requires testing under the Chemical Technology Assessment Protocol – Ecology (CTAPE) before it can be initiated. Approval from the appropriate regional Ecology office must be obtained at each site where polymers use is proposed prior to use. For more guidance on stormwater chemical treatment see BMP D.2.2.5.



## Design and Installation Specifications

Two types of filtration systems may be applied to construction stormwater treatment: rapid and slow. Rapid sand filters are the typical system used for water and wastewater treatment. They can achieve relatively high hydraulic flow rates, on the order of 2 to 20 gpm/sf, because they have automatic backwash systems to remove accumulated solids. In contrast, slow sand filters have very low hydraulic rates, on the order of 0.02 gpm/sf, because they do not have backwash systems. Slow sand filtration has generally been used to treat stormwater. Slow sand filtration is mechanically simple in comparison to rapid sand filtration but requires a much larger filter area.

### Filtration Equipment

Sand media filters are available with automatic backwashing features that can filter to 50  $\mu\text{m}$  particle size. Screen or bag filters can filter down to 5  $\mu\text{m}$ . Fiber wound filters can remove particles down to 0.5  $\mu\text{m}$ . Filters should be sequenced from the largest to the smallest pore opening. Sediment removal efficiency will be related to particle size distribution in the stormwater.

### Treatment Process Description

Stormwater is collected at interception point(s) on the site and is diverted to an untreated stormwater sediment pond or tank for removal of large sediment and storage of the stormwater before it is treated by the filtration system. The untreated stormwater is pumped from the trap, pond, or tank through the filtration system in a rapid sand filtration system. Slow sand filtration systems are designed as flow through systems using gravity.

### Maintenance Standards

Rapid sand filters typically have automatic backwash systems that are triggered by a pre-set pressure drop across the filter. If the backwash water volume is not large or substantially more turbid than the untreated stormwater stored in the holding pond or tank, backwash return to the untreated stormwater pond or tank may be appropriate. However, other means of treatment and disposal may be necessary.

- Screen, bag, and fiber filters must be cleaned and/or replaced when they become clogged.
- Sediment shall be removed from the storage and/or treatment ponds as necessary. Typically, sediment removal is required once or twice during a wet season and at the decommissioning of the ponds.

### Sizing Criteria for Flow-Through Treatment Systems for Flow Control Exempt Water Bodies:

When sizing storage ponds or tanks for flow-through systems for flow control exempt water bodies the treatment system capacity should be a factor. The untreated stormwater storage pond or tank should be sized to hold 1.5 times the runoff volume of the 10-year, 24-hour storm event minus the treatment system flowrate for an 8-hour period. For a chitosan-enhanced sand filtration system, the treatment system flowrate should be sized using a hydraulic loading rate between 6 to 8 gpm/ft<sup>2</sup>. Other hydraulic loading rates may be more appropriate for other systems. Bypass should be provided around the chemical treatment system to accommodate extreme storms. Runoff volume shall be calculated using the methods presented in Chapter 3 of the *SWDM* (if no chemicals are proposed for use). Worst-case conditions (i.e., producing the most runoff) should be used for analyses (most likely conditions present prior to final landscaping).

### Sizing Criteria for Flow Control Water Bodies:

Sites that must implement flow control for the developed site condition must also control stormwater release rates during construction. Construction site stormwater discharges shall not exceed the discharge durations of the pre-developed condition for the range of pre-developed discharge rates from 1/2 of the 2-year flow through the 10-year flow as predicted by an approved continuous runoff model. The pre-developed condition to be matched shall be the land cover condition immediately prior to the development project. This restriction on release rates can affect the size of the storage pond, the filtration system, and the flow rate through the filter system.

The following is how WWHM can be used to determine the release rates from the filtration systems:

1. Determine the pre-developed flow durations to be matched by entering the land use area under the “Pre-developed” scenario in WWHM. The default flow range is from ½ of the 2-year flow through the 10-year flow.
2. Enter the post developed land use area in the “Developed Unmitigated” scenario in WWHM.
3. Copy the land use information from the “Developed Unmitigated” to “Developed Mitigated” scenario.
4. There are two possible ways to model stormwater filtration systems:

- a) The stormwater filtration system uses an untreated stormwater storage pond/tank and the discharge from this pond/tank is pumped to one or more filters. In-line filtration chemicals would be added to the flow right after the pond/tank and before the filter(s). Because the discharge is pumped, WWHM can’t generate a stage/storage /discharge (SSD) table for this system. This system is modeled the same way as described Ecology’s BMP C250 (or BMP D.2.2.5 when seeking City approval for non-chemical treatment) and is as follows:

While in the “Developed Mitigated” scenario, add a pond element under the basin element containing the post-developed land use areas. This pond element represents information on the available untreated stormwater storage and discharge from the filtration system. In cases where the discharge from the filtration system is controlled by a pump, a stage/storage/discharge (SSD) table representing the pond must be generated outside WWHM and imported into WWHM. WWHM can route the runoff from the post-developed condition through this SSD table (the pond) and determine compliance with the flow duration standard. This would be an iterative design procedure where if the initial SSD table proved to be out of compliance, the designer would have to modify the SSD table outside WWHM and re-import in WWHM and route the runoff through it again. The iteration will continue until a pond that enables compliance with the flow duration standard is designed.

Notes on SSD table characteristics:

- The pump discharge rate would likely be initially set at just below ½ if the 2-year flow from the pre-developed condition. As runoff coming into the untreated stormwater storage pond increases and the available untreated stormwater storage volume gets used up, it would be necessary to increase the pump discharge rate above ½ of the 2-year. The increase(s) above ½ of the 2-year must be such that they provide some relief to the untreated stormwater storage needs but at the same time they will not cause violations of the flow duration standard at the higher flows. The final design SSD table will identify the appropriate pumping rates and the corresponding stage and storages.
  - When building such a flow control system, the design must ensure that any automatic adjustments to the pumping rates will be as a result of changes to the available storage in accordance with the final design SSD table.
- b) The stormwater filtration system uses a storage pond/tank and the discharge from this pond/tank gravity flows to the filter. This is usually a slow sand filter system and it is possible to model it in WWHM as a Filter element or as a combination of Pond and Filter element placed in series. The stage/storage/discharge table(s) may then be generated within WWHM as follows:
    - i. While in the “Developed Mitigated” scenario, add a Filter element under the basin element containing the post-developed land use areas. The length and width of this filter element would have to be the same as the bottom length and width of the upstream untreated stormwater storage pond/tank.
    - ii. In cases where the length and width of the filter is not the same as those for the bottom of the upstream untreated stormwater storage tank/pond, the treatment system may be modeled as a Pond element followed by a Filter element. By having these two elements, WWHM would then generate a SSD table for the storage pond which then gravity flows to the Filter element.

The Filter element downstream of the untreated stormwater storage pond would have a storage component through the media, and an overflow component for when the filtration capacity is exceeded.

WWHM can route the runoff from the post-developed condition through the treatment systems in 4b and determine compliance with the flow duration standard. This would be an iterative design procedure where if the initial sizing estimates for the treatment system proved to be inadequate, the designer would have to modify the system and route the runoff through it again. The iteration would continue until compliance with the flow duration standard is achieved.

5. It should be noted that the above procedures would be used to meet the flow control requirements. The filtration system must be able to meet the runoff treatment requirements. It is likely that the discharge flow rate of ½ of the 2-year or more may exceed the treatment capacity of the system. If that is the case, the untreated stormwater discharge rate(s) (i.e., influent to the treatment system) must be reduced to allow proper treatment. Any reduction in the flows would likely result in the need for a larger untreated stormwater storage volume.

If system design does not allow you to discharge at the slower rates as described above and if the site has a retention or detention pond that will serve the planned development, the discharge from the treatment system may be directed to the permanent retention/detention pond to comply with the flow control requirements. In this case, the untreated stormwater storage pond and treatment system will be sized according to the sizing criteria for flow-through treatment systems for flow control exempt waterbodies described earlier except all discharges (water passing through the treatment system and stormwater bypassing the treatment system) will be directed into the permanent retention/detention pond. If site constraints make locating the untreated stormwater storage pond difficult, the permanent retention/detention pond may be divided to serve as the untreated stormwater discharge pond and the post-treatment flow control pond. A berm or barrier must be used in this case so the untreated water does not mix with the treated water. Both untreated stormwater storage requirements, and adequate post-treatment flow control must be achieved. The post-treatment flow control pond's revised dimensions must be entered into the WWHM and the WWHM must be run to confirm compliance with the flow control requirement.

### **D.2.2.7 HIGH PH NEUTRALIZATION USING CO<sub>2</sub>**

#### **Purpose**

When pH levels in stormwater rise above 8.5 it is necessary to lower the pH levels to the acceptable range of 6.5 to 8.5, this process is called pH neutralization. pH neutralization involves the use of solid or compressed carbon dioxide gas in water requiring neutralization. Neutralized stormwater may be discharged to surface waters under the Construction Stormwater General permit.

Neutralized process water such as concrete truck wash-out, hydro-demolition, or saw-cutting slurry must be managed to prevent discharge to surface waters. Any stormwater contaminated during concrete work is considered process wastewater and must not be discharged to surface waters.

#### **Reason for pH Neutralization:**

A pH level range of 6.5 to 8.5 is typical for most natural watercourses, and this neutral pH is required for the survival of aquatic organisms. Should the pH rise or drop out of this range, fish and other aquatic organisms may become stressed and may die.

Calcium hardness can contribute to high pH values and cause toxicity that is associated with high pH conditions. A high level of calcium hardness in waters of the state is not allowed.

The water quality standard for pH in Washington State is in the range of 6.5 to 8.5. Ground water standard for calcium and other dissolved solids in Washington State is less than 500 mg/l.

## Conditions of Use

### Causes of High pH:

High pH at construction sites is most commonly caused by the contact of stormwater with poured or recycled concrete, cement, mortars, and other Portland cement or lime containing construction materials. (See BMP D.2.2.1, Concrete Handling for more information on concrete handling procedures). The principal caustic agent in cement is calcium hydroxide (free lime).

### Advantages of CO<sub>2</sub> Sparging:

- Rapidly neutralizes high pH water.
- Cost effective and safer to handle than acid compounds.
- CO<sub>2</sub> is self-buffering. It is difficult to overdose and create harmfully low pH levels.
- Material is readily available.

### The Chemical Process:

When carbon dioxide (CO<sub>2</sub>) is added to water (H<sub>2</sub>O), carbonic acid (H<sub>2</sub>CO<sub>3</sub>) is formed which can further dissociate into a proton (H<sup>+</sup>) and a bicarbonate anion (HCO<sub>3</sub><sup>-</sup>) as shown below:



The free proton is a weak acid that can lower the pH. Water temperature has an effect on the reaction as well. The colder the water temperature is the slower the reaction occurs and the warmer the water temperature is the quicker the reaction occurs. Most construction applications in Washington State have water temperatures in the 50°F or higher range so the reaction is almost simultaneous.

## Design and Installation Specifications

### Treatment Process:

High pH water may be treated using continuous treatment, continuous discharge systems. These manufactured systems continuously monitor influent and effluent pH to ensure that pH values are within an acceptable range before being discharged. All systems must have fail safe automatic shut off switches in the event that pH is not within the acceptable discharge range. Only trained operators may operate manufactured systems. System manufacturers often provide trained operators or training on their devices.

The following procedure may be used when not using a continuous discharge system:

1. Prior to treatment, the appropriate jurisdiction should be notified in accordance with the regulations set by the jurisdiction.
2. Every effort should be made to isolate the potential high pH water in order to treat it separately from other stormwater onsite.
3. Water should be stored in an acceptable storage facility, detention pond, or containment cell prior to treatment.
4. Transfer water to be treated to the treatment structure. Ensure that treatment structure size is sufficient to hold the amount of water that is to be treated. Do not fill tank completely, allow at least 2 feet of freeboard.
5. The operator samples the water for pH and notes the clarity of the water. As a rule of thumb, less CO<sub>2</sub> is necessary for clearer water. This information should be recorded.
6. In the pH adjustment structure, add CO<sub>2</sub> until the pH falls in the range of 6.9 to 7.1. Remember that pH water quality standards apply so adjusting pH to within 0.2 pH units of receiving water (background pH) is recommended. It is unlikely that pH can be adjusted to within 0.2 pH units using dry ice. Compressed carbon dioxide gas should be introduced to the water using a carbon dioxide diffuser located near the bottom of the tank, this will allow carbon dioxide to bubble up through the water and diffuse more evenly.

7. Slowly discharge the water making sure water does not get stirred up in the process. Release about 80% of the water from the structure leaving any sludge behind.
8. Discharge treated water through a pond or drainage system.
9. Excess sludge needs to be disposed of properly as concrete waste. If several batches of water are undergoing pH treatment, sludge can be left in treatment structure for the next batch treatment. Dispose of sludge when it fills 50% of tank volume.

Sites that must implement flow control for the developed site must also control stormwater release rates during construction. All treated stormwater must go through a flow control facility before being released to surface waters which require flow control.

### **Maintenance Standards**

#### **Safety and Materials Handling:**

- All equipment should be handled in accordance with OSHA rules and regulations.
- Follow manufacturer guidelines for materials handling.

#### **Operator Records:**

Each operator should provide:

- A diagram of the monitoring and treatment equipment.
- A description of the pumping rates and capacity the treatment equipment is capable of treating.

Each operator should keep a written record of the following:

- Client name and phone number.
- Date of treatment.
- Weather conditions.
- Project name and location.
- Volume of water treated.
- pH of untreated water.
- Amount of CO<sub>2</sub> needed to adjust water to a pH range of 6.9 to 7.1.
- pH of treated water.
- Discharge point location and description.

A copy of this record should be given to the client/contractor who should retain the record for 3 years.

## **D.2.2.8 PH CONTROL FOR HIGH PH WATER**

### **Purpose**

When pH levels in stormwater rise above 8.5 it is necessary to lower the pH levels to the acceptable range of 6.5 to 8.5, this process is called pH neutralization. Stormwater with pH levels exceeding water quality standards may be treated by infiltration, dispersion in vegetation or compost, pumping to a sanitary sewer, disposal at a permitted concrete batch plant with pH neutralization capabilities, or carbon dioxide sparging. BMP D.2.2.7, High pH Neutralization Using CO<sub>2</sub> gives guidelines for carbon dioxide sparging.

### **Reason for pH Neutralization:**

A pH level range of 6.5 to 8.5 is typical for most natural watercourses, and this pH range is required for the survival of aquatic organisms. Should the pH rise or drop out of this range, fish and other aquatic organisms may become stressed and may die.

**Conditions of Use****Causes of High pH:**

High pH levels at construction sites are most commonly caused by the contact of stormwater with poured or recycled concrete, cement, mortars, and other Portland cement or lime containing construction materials. (See BMP D.2.2.1, Concrete Handling for more information on concrete handling procedures). The principal caustic agent in cement is calcium hydroxide (free lime).

**Design and Installation Specifications****Disposal Methods:****Infiltration**

- Infiltration is only allowed if soil type allows all water to infiltrate (no surface runoff) without causing or contributing to a violation of surface or ground water quality standards.
- Infiltration techniques should be consistent with Chapter 5 of the *SWDM*

**Dispersion**

- Dispersion techniques should be consistent with Appendix C of the *SWDM*

**Sanitary Sewer Disposal**

- Approval from King County and the City of Renton is required prior to disposal via the sanitary sewer.

**Concrete Batch Plant Disposal**

- Only permitted facilities may accept high pH water.
- Facility should be contacted before treatment to ensure they can accept the high pH water.

**Stormwater Discharge**

Any pH treatment options that generate treated water that must be discharged off site are subject to flow control requirements. Sites that must implement flow control for the developed site must also control stormwater release rates during construction. All treated stormwater must go through a flow control facility before being released to surface waters which require flow control.

**D.2.2.9 USE OF HIGH PH SOIL AMENDMENTS ON CONSTRUCTION SITES**

The use of soil amendments (including cement treated base [CTB] and cement kiln dust [CKD]) on development sites must be approved by the City. The approval process is described in “Processing Requirements for Use of Soil Amendments on Construction Sites” below.

**Use of Soil Amendments**

It is sometimes a construction practice to add soil amendments to the surfaces of some construction areas in order to stabilize the ground for building. This practice includes placing an additive on the ground then mixing with the soil to a specified depth and finally compacting the mix. When mixed with the soil, the moisture in the ground may allow these additives to create a chemical reaction that cures similar to concrete and may absorb excessive moisture to allow soils to be compacted. The end result is a stable site for constructing a road or building pad.

Because soil amendments may be rich in lime content and other material, water runoff from these areas can be affected. If not controlled and treated, this could result in a degradation of water quality and natural drainage systems. Because these additives come in a fine powder form, the actual application can create fugitive dust. When mixed with water, some additives can become corrosive.

## Definitions

The following are definitions of soil amendment products that are allowed for use under these procedures:

1. Cement Kiln Dust (CKD) is a by-product in the manufacturing of cement<sup>9</sup>.
2. Cement Treated Base (CTB) utilizes Portland Cement Type II as the soil additive.

## CTB/CKD Soil Amendment BMPs

Table D.2.2.9.A on the following pages lists twelve BMP categories of action and specific BMPs for each category to be applied when proposing CTB/CKD soil amendments or using soil amendments onsite.

*Note: Additional BMPs may be required to prevent adverse impacts to the public and/or the environment. It is the responsibility of the permit holder to remain in compliance with all other applicable local, state, and federal regulations.*

TABLE D.2.2.9.A CTB/CKD SOIL AMENDMENT BMPs		
Category of Action	Specific Action	CTB/CKD Best Management Practices
1. Materials Source Analysis	Solubility Testing & Specifications	<p>A. If CKD is proposed, a chemical analysis of soluble pollutants of the product to be used will be provided to the Washington State Department of Ecology (Ecology) and the CED review staff in advance of any product is applied.</p> <p>B. CTB/CKD mixing percentage is anticipated to be approximately 3 percent to 5 percent.</p> <p>C. A Geotechnical Engineer will establish the mixing percentage for the onsite soils.</p> <p>D. All treatment procedures shall be directed, monitored, and verified by a Geotechnical Engineer.</p> <p>E. Soil amendments will never occur in excess of the ability of the onsite equipment and resources to meet all BMP requirements specified herein.</p>
2. Site Preparation	Runoff Collection System	<p>A. Areas that are to be treated as shown on the plan are flagged off to prevent equipment from leaving treated area and going onto untreated areas, and to prevent unauthorized equipment from entering the treated area.</p> <p>B. Assessment of surface runoff collection points are noted.</p> <p>C. Cutoff trenches, collection sumps, and pumps are installed.</p> <p>D. Sealed storage tanks will be properly sized to contain all runoff from treated areas.</p> <p>E. Sealed storage tanks shall be set up and ready for use to treat contact water.</p> <p>F. An approved wheel wash will be constructed at the construction exit, typically a paved ramp sump that utilizes high-pressure washers.</p> <p>G. Copies of Treatment Plan, Approval, and Contingency Plan area are required to be located on site.</p>

<sup>9</sup> CKD is collected by air pollution control devices used to clean kiln exhaust during the manufacturing of Portland Cement. EPA has classified CKD a non-hazardous waste product provided management standards are followed for groundwater protection and control of fugitive dust releases.

CKD should not to be confused with Fly Ash, which is a by-product of burning coal or wood and incineration of other material. Fly ash can contain major oxides and trace metals, depending upon the fuel source, and is considered too hazardous for use as a soil amendment. Using this product is not authorized or endorsed by Ecology or the City.

<b>TABLE D.2.2.9.A CTB/CKD SOIL AMENDMENT BMPS</b>		
<b>Category of Action</b>	<b>Specific Action</b>	<b>CTB/CKD Best Management Practices</b>
3. Lay-down Mixing Equipment		<ul style="list-style-type: none"> <li>A. Exposure of CTB/CKD materials to air to be minimized. Delivery tankers shall be set up to place CTB/CKD directly into spreading trucks or equipment.</li> <li>B. CTB/CKD operations are only allowed during daylight hours.</li> <li>C. Tarps or dust bags will be used over the discharge truck hose at unloading to prevent dust particles from becoming airborne.</li> <li>D. Unloading will occur at the lowest possible pump pressure.</li> <li>E. Unloading and mixing will be avoided on high wind days. PSAPCA Section 9.15 prohibits visible emissions of fugitive dust.</li> <li>F. CTB/CKD to be placed on ground by large wheeled spreaders designed for this purpose capable of measuring application.</li> <li>G. When spreading CTB/CKD it shall be kept 2–3 feet away from untreated areas boundaries to prevent the material from migration and contaminating outside the treatment zone.</li> <li>H. Treatment area will be kept damp/wet at all times CTB/CKD is being spread and mixed. Skirting around applicator/spreader and mixer is required to minimize CTB/CKD dust.</li> <li>I. CTB/CKD is to be roto-tilled into soil immediately after being spread onto soils and shall be done with a skirted tiller.</li> <li>J. Direct auguring machine that measures, spreads, and mixes CTB/CKD in one operation is preferred.</li> <li>K. Compaction will be complete within 2 hours after CTB/CKD application.</li> </ul>
4. Site Management	Work Progress and Weather Conditions	<ul style="list-style-type: none"> <li>A. Dust suppression by use of water trucks shall be used on areas where work on dry soil is performed and potential airborne contamination may occur.</li> <li>B. The volume of CTB/CKD allowed on site will be limited to the amount that can be used within a normal workday. Every effort will be made to forecast the daily delivery rate to match the daily onsite use rate.</li> <li>C. CTB/CKD will not be added to soils at a rate that exceeds the ability of onsite resources to immediately commence mixing and compacting.</li> <li>D. No work will occur in rain heavier than drizzle, or under drizzle that exceeds 6 hours duration, or under any rainfall which generates runoff from the areas being worked.</li> <li>E. Should the weather change to stop the application, remaining CTB/CKD will be covered and contained to prevent stormwater from entering storage containment, and causing runoff.</li> <li>F. All vehicles and equipment leaving the treatment area/site must be cleaned/washed to prevent CTB/CKD from leaving site. Wash water will be contained and treated as needed.</li> <li>G. CTB/CKD contact water in the wheel wash will be removed from the site via a Vactor truck for transport to an approved off-site treatment or disposal facility in accordance with all federal, state, and local laws and regulations; or, if permitted, to the sanitary sewer system.</li> </ul>



<b>TABLE D.2.2.9.A CTB/CKD SOIL AMENDMENT BMPS</b>		
<b>Category of Action</b>	<b>Specific Action</b>	<b>CTB/CKD Best Management Practices</b>
5. Surface Water Collection		<p>A. Surface runoff from the treated areas is to be collected and stored in onsite sealed treatment tanks.</p> <p>B. A rigid schedule of TESC inspection, maintenance, and drainage controls will be maintained.</p> <p>C. Temporarily plugging and using detention facilities is not allowed as a storage practice.</p> <p>D. Runoff from compacted areas amended with CTB/CKD will be directed to previously sealed tank(s) until pH levels of water are verified to be within acceptable background water limits. No uncontrolled discharge or infiltration from the sealed tank(s) will be allowed.</p> <p>E. Drainage from areas amended with CTB/CKD within the past 72 hours will be prevented from co-mingling with any other project drainage.</p>
6. Discharge Compliance	Applicable Regulations	<p>A. Any and all discharges from this site will be in compliance with all applicable federal, state, and local laws and regulations pertaining to health and safety, water, air, waste, and wildlife, including the Federal Clean Water Act, Clean Air Act, and Endangered Species Act. Laboratory analysis of water is required prior to discharge to verify compliance.</p> <p>B. No infiltration is allowed to occur if pH readings are above 8.5 standard pH units, or below 6.5 standard pH units.</p> <p>C. A pH meter must be used to determine levels. pH meter is to be calibrated following proper QA/QC procedures. Fresh buffers are to be available to re-calibrate as needed.</p> <p>D. A log of turbidity and pH readings will be kept on site for inspection.</p> <p>E. All treatment of water must be directed, bench tested, monitored and verified by a qualified water quality specialist.</p> <p>F. Treated area water runoff shall not enter the permanent stormwater system.</p> <p>G. Stormwater drainage system within treatment area is to be cleaned out prior to use for regular water runoff conveyance from untreated areas. Water from cleanout is to be tested and treated following the approved treatment criteria.</p>

<b>TABLE D.2.2.9.A CTB/CKD SOIL AMENDMENT BMPS</b>		
<b>Category of Action</b>	<b>Specific Action</b>	<b>CTB/CKD Best Management Practices</b>
7. Natural Treatment and Discharge		<p>A. The preferred method of disposal of the treatment water will be discharge to the sanitary sewer, provided a permit is obtained to do so.</p> <p>B. If infiltration is proposed, the area of infiltration is to be identified, capacity confirmed, and a contingency discharge plan in place in the event facilities fail to infiltrate.</p> <p>C. For infiltration, pH limits shall be strictly adhered to.</p> <p>D. If a permit to discharge to the sanitary sewer is not obtained, a National Pollutant Discharge Elimination System (NPDES) discharge permit is required from Ecology. The retention volume of the lined pond(s) will also be increased to ensure complete control of the retained volume. Monitoring, bench testing, and controlled discharge rates, with prior approval by Ecology, would be needed prior to discharge to an approved off-site surface drainage system. Sites that currently have NPDES permits will need to amend permit prior to discharge to cover this action. City approval is still required.</p> <p>E. Per RMC 4-6-030, discharges into receiving drainage systems shall not have acid or basic pH levels.</p> <p>F. Sealed storage tanks shall be used to reduce turbidity and pH before discharge.</p>
8. Chemical Treatment		<p>A. Carbon dioxide sparging (dry ice pellets) may be used as the chemical treatment agent to reduce the water pH.</p> <p>B. Any means of water treatment to reduce pH will require an NPDES discharge permit from Ecology. Permit would only be granted after bench testing performed by an independent qualified party.</p> <p>C. Active mixing will cease if the residual retention water volume falls below the ability to treat and properly dispose of contact storm water.</p> <p>D. Discharge would only occur after the approval of Ecology, following bench testing and consultation with Ecology.</p> <p>E. All materials for chemical treatment will be on site and property stored, during all phases of CTB/CKD treatment.</p>
9. Water Quality	Monitoring	<p>A. Turbidity and pH will be monitored on a twice-daily basis, prior to operations and immediately upon ceasing operations, and these measurements will be recorded. Monitoring will also occur immediately after any storm event of ½ inch in 24 hours, or water migration to the retention pond(s), and the measurements recorded. If the pH approaches 8.0, monitoring frequency will increase.</p> <p>B. Turbidity and pH monitoring will occur in all treatment facilities, stormwater detention facilities, infiltration areas (if infiltration is used), and in all surface water areas adjacent to site where stormwater potentially discharges. Additional upstream surface water sites will be established to determine background levels of turbidity and pH.</p> <p>C. All water quality monitoring data will be conducted and evaluated by an independent, qualified party and conducted using professionally supportable test protocols and QA/QC procedures.</p>

TABLE D.2.2.9.A CTB/CKD SOIL AMENDMENT BMPS		
Category of Action	Specific Action	CTB/CKD Best Management Practices
10. Reporting	Ecology and CED	<p>A. All water quality monitoring data will be included in weekly CED TESC reports to CED, and in weekly NPDES reports to Ecology.</p> <p>B. All work, testing, and monitoring associated with the application of CTB/CKD shall be observed by engineer. The engineer shall prepare and submit a report to the assigned CED project inspector indicating BMPs were/were not being met.</p> <p>C. Copies of all reports and logs will be available on site during the soil and surface runoff treatment activities.</p>
<b>Other elements to consider:</b>		
11. Water Quality – Soils	Source Controls	<p>A. There may be very small amounts of concrete washout produced onsite as a result of construction of erosion control measures during reclamation. Concrete washout, if any, would be retained in a lined enclosure of at least 6-mil Visqueen or plastic sheeting, with no outlet. The washout retention enclosure would be isolated and separate from any CTB/CKD area runoff. Contents of the lined concrete washout enclosure will be removed from the site via a Vactor truck for disposal in an approved off-site treatment or disposal facility in accordance with all federal, state, and local laws and regulations. Signed trip tickets, as proof of proper disposal, will be provided to Ecology and CED.</p>
12. Water Quality – pH	Cover Measures	<p>A. Areas amended with CTB/CKD for compaction after CTB/CKD addition will be covered with plastic or Visqueen sheeting, or other impervious material by the end of each working day.</p> <p>B. Temporary cover will be maintained over all compacted areas amended with CTB/CKD until testing confirms that pH levels are stabilized to background measurements. [Note: Curing to avoid pH effects has no relationship to the rate at which material can be compacted in multiple lifts. Compaction will commence immediately after application and mixing, and multiple lifts will occur as quickly as each lift is compacted and ready to accept the next.]</p> <p>C. Should weather conditions prevent mixing, any unmixing CTB/CKD remaining on site will be enclosed in a sealed containment, such as portable silo, or removed from site.</p>

### Processing Requirements for Use of High pH Soil Amendments on Construction Sites<sup>10</sup>

#### Purpose

This section establishes procedures for implementing BMPs when using high pH soil amendments on construction sites. See Table D.2.2.9.A for a description of the BMPs. This section outlines an expedited review process and typical approval conditions that will allow contractors and builders to use soil amendments without impacting water quality. Additional BMPs may be required based upon site specific conditions that may warrant more protection. This policy is limited to those amendments, defined below, commonly known to add stability to sloppy soil conditions but which can alter water runoff quality.

**Authority:** RMC 4-6-030(J) prohibits discharges of polluted or contaminated water into surface or storm water drainage systems. The purpose of this statute is to protect surface and ground water by regulating the discharge of potentially contaminated surface water. If soil amendments are proposed with an initial application, an environmental review is required, under SEPA, which assesses impacts, provides public input and mitigated conditions for its use.

<sup>10</sup> Excerpted from the King County *Stormwater Pollution Prevention Manual (SPPM)*, BMP Info Sheet #11

The City of Renton also requires an engineered design for use of a soil amendment on road surfaces or around drainage systems (see Appendix C). The design may incorporate a thorough assessment of soil composition and laboratory analysis. The *SWDM* authorizes CED to adopt BMPs for the control and protection of surface water. Currently, for all sites, the BMPs established in this policy are the minimum standards that shall be applied.

### **Procedure**

An applicant may apply for use of soil amendments allowed under this policy anytime during the permit application review or after the permit has been issued and site construction is underway. After making a submittal to CED, the applicant may receive approval conditions. Conditions may vary from site to site, but typically will include many of the BMPs included in this policy.

Applicants should identify any use of soil amendments as early in the process as possible to avoid delays in obtaining approval for use during the construction phase. If a site has known soil and water conditions that might make work during rainy periods difficult, they may want to plan to use soil amendments on their site. Obviously, if this issue is addressed at the permit review phase, implementation in the field can occur without delay. However, because of the potential risks of surface water pollution discharge and required treatment, an environmental assessment will be necessary before conditions for use can be established.

### **Limitations**

This policy applies to the intended use of soil amendments in areas that will be covered by impervious surfaces. For areas not covered by impervious surfaces, additional reviews, study, and BMPs may be required. In addition, alterations to original approved use plans will require a resubmittal for approval. Approval for the use of the soil amendments can only occur by strictly following the procedures contained herein and not by any other approval obtained from CED.

### **Submittal Requirements**

To obtain approval for the use of soil amendments allowed under this policy, the applicant shall prepare a submittal package to CED that includes the following:

- Letter to CED requesting use of soil amendments at a construction site allowed under this policy.
- Document or letter attachment that identifies source of materials and description of mixing and laydown process, plan for disposal of treated contact water, sanitary sewer permits and/or BMPs, and special precautions proposed to prevent the contamination of surface or stormwater drainage systems, other than 'sealed' drainage systems.
- Site Plan: Show a site plan map which:
  - 1) Shows overall grading plan showing existing and proposed contours.
  - 2) Identifies sensitive areas and permanent or temporary drainage facilities.
  - 3) Identifies areas that soil amendment is planned.
  - 4) Shows depths of application and percent of amendment to be used.
  - 5) Shows location of special wheel wash facility.
  - 6) Shows location of collection and conveyance swales or pipes for contact water.
  - 7) Shows location of sealed storage/treatment tanks or temporary ponds (fully lined).
  - 8) Identifies any discharge point from the site into natural drainage systems.
  - 9) Includes soil log locations that identify seasonal high groundwater areas.
- Report and analysis of engineering mix design which includes depths of application and percent of amendment usage.
- For proposals that use CKD and CKD additive, provide analysis of source material for soluble contaminants. Include a description of fuel source.

- Monitoring criteria, including locations for pH and turbidity testing.
- Provide contingency plan should use of soil amendment and site and weather conditions result in polluted or contact water entering natural drainage systems.
- Provide contact information or water quality specialist assigned to monitor application of soil amendments and BMPs.

If the project is under construction, the applicant shall contact the CED inspector assigned to the project to initiate a review for compliance with the BMPs and requirements herein. Otherwise contact the planner or engineer assigned to review the permit or land use application.

### **Review and Approval**

Once the review has been completed, the applicant shall be notified by letter which stipulates the conditions of approval. Prior to authorizing the use of soil amendments at the site, the applicant shall provide a special restoration financial guarantee cash deposit in the amount as determined by the existing, established processes. Note: It remains the applicant/contractor's responsibility to comply with any other applicable state or federal regulations such as use of NIOSH respiratory protection, safety goggles, gloves and protective clothing whenever using hazardous materials.

### **Applicable Standards**

Typically, all proposals using soil amendments shall have these conditions as standard requirements:

1. Prior to any application of CKD/CTB, the general contract shall hold a preconstruction meeting with the assigned CED inspector at least 3 working days in advance.
2. CKD will not be permitted for use in areas adjacent to or in proximity to wetlands and streams areas. CTB may or may not be permitted in these areas.
3. Areas not covered by impervious surfaces:
  - CKD will not be permitted in areas that will not be covered by impervious surfaces.
  - If CTB is proposed in these areas, an analysis of whether or not the soil amendment will change the post-development runoff characteristics and the permanent stormwater facilities were sized appropriately shall be submitted for review. Use of CTB in areas not permanently covered by impervious surface may require re-sizing of the permanent stormwater facilities.
4. If CKD is proposed, the contractor shall provide mill certificates verifying the product composition. The contractor/developer must be prepared to follow BMPs during and after soil treatment and be prepared to treat runoff from the treatment area(s) immediately. All stormwater collection systems must be in place and all equipment (pH meters, dry ice, etc.) must be onsite.
5. Collection of stormwater (see BMP #5 in Table D.2.2.9.A):
  - Stormwater from the application area shall be kept separate from and prevented from comingling with uncontaminated stormwater.
  - During the application of CKD/CTB, stormwater runoff shall be collected in temporary collection systems and shall not be allowed to enter the permanent facilities. Permanent drainage systems shall be capped to prevent contact stormwater from entering the inlets of the catch basins. Stormwater from the application area shall not be collected in the temporary/permanent detention ponds, even if the underlying soils are 'impermeable.'
6. Treatment: If necessary, pH adjustment shall be done in the collection tanks or temporary ponds and not in the permanent detention ponds.
7. Disposal options: The proposal to use CKD/CTB must contain a disposal plan that may include one or a combination of sanitary sewer or approved offsite disposal. Treated contact water may be discharged to the sanitary sewer if authorizations are obtained from the King County and the City of Renton. All discharge conditions (e.g., pH, settleable solids) must be followed. If a sanitary sewer is not available at the site, contact water may be transported offsite to an approved site for disposal and proof of

proper disposal must be submitted to the City. All authorizations for disposal shall be obtained prior to CKD/CTB application.

- Infiltration: Depending on the site conditions, pH-adjusted stormwater may be infiltrated. Prior to infiltration, pH must be between 6.5 and 8.5.
  - Surface Water: Contact water from the application area shall not be discharged to surface waters, even if treatment has adjusted the pH.
8. Emergency backup plan: An emergency backup plan must be prepared and ready to implement to handle large quantities of stormwater.
  9. Monitoring shall be conducted to determine that contact stormwater is not leaving the site. Offsite monitoring shall also be conducted to identify impacts to adjacent water bodies. Bonding may be required to cover mitigation of impacts and restoration.
  10. A soils specialist will establish the mixing percentage for onsite soils. Soil amendments will never occur in excess of the ability of the onsite equipment and resources to meet all BMP requirements.
  11. For sites one acre or larger, a Construction Stormwater General permit must be obtained from Ecology. Construction Stormwater General permits and 'Stormwater Pollution Prevention Plans (SWPPPs) must be amended and the use of CKD/CTB must be approved by Ecology prior to application.

The contractor/developer shall comply with all federal, state, and local regulations. A health and safety plan may be required for the protection of CED inspectors.

Additional BMPs may be applicable depending on mix design, proximity of wetlands or streams (e.g., within 300 feet of class/type I and 100 feet or less for other types) and site conditions.

#### **D.2.2.10 MAINTAIN PROTECTIVE BMPS**

Pollutant protection measures shall be maintained to ensure continued performance of their intended function. Reporting and documentation shall be kept current and made available to CED as indicated.

**Purpose:** The purpose of maintaining protective BMPs is to provide effective pollutant protection when and where required by the plan and the project, and to provide timely and relevant project information.

**When to Maintain:** Protection measures shall be monitored per Section D.2.4.4 at a minimum, continuously during operation, and promptly maintained to fully functioning condition as necessary to ensure continued performance of their intended function. Documentation shall be kept current per specific BMP requirements.

**Measures to Use:**

1. Maintain and repair all pollutant control BMPs as needed to ensure continued performance of their intended function in accordance with BMP specifications.
2. Maintain and repair storage locations for equipment and materials associated with BMP processes. Conduct materials disposal in compliance with City requirements.
3. As required, provide current reporting and performance documentation at an accessible location for the site inspector and other CED staff.
4. Remove all temporary pollutant control BMPs prior to final construction approval, or within 30 days after achieving final site stabilization or after the temporary BMPs are no longer needed.

#### **D.2.2.11 MANAGE THE PROJECT**

SWPPP requirements shall be implemented and managed as part of the overall CSWPP plan. Concrete construction and its impacts are primary among pollutant concerns on site development projects. Fueling operations and materials containment of treatment chemicals and other project materials are also typical

pollutant concerns. Operations that produce these and other pollutants are often conducted by subcontractors and their laborers, yet may require specific protective measures, documentation and reporting. Protective measures and BMPs need to be made available prior to construction and suitable oversight provided to ensure inspection, monitoring and documentation requirements are met.

Projects shall assign a qualified CSWPP Supervisor (Section D.2.3.1) to be the primary contact for SWPPP and ESC issues and reporting, coordination with subcontractors and implementation of the CSWPP plan as a whole.

**Measures to Use:**

1. Phase development projects to the maximum degree practicable and take into account seasonal work limits.
2. Inspection and monitoring – Inspect, maintain, and repair all BMPs as needed to ensure continued performance of their intended function. Conduct site inspections and monitoring in accordance with the Construction Stormwater General Permit and City requirements. Coordinate with subcontractors and laborers to ensure the SWPPP measures are followed.
3. Documentation and reporting – Inspect, maintain, and repair all BMPs as needed to ensure continued performance of their intended function. Document site inspections and monitoring in accordance with the Construction Stormwater General Permit, specific BMP conditions and City requirements. Log sheets provided in Reference Section 8 may be used if appropriate. Follow reporting requirements and provide documentation as requested to CED staff.
4. Maintaining an updated construction SWPPP – Maintain, update, and implement the SWPPP in accordance with the Construction Stormwater General Permit and City requirements. Obtain approval for specific SWPPP measures (e.g., chemical treatments of stormwater) well in advance of need. Coordinate SWPPP plan updates with the site inspector (see Section D.2.4.1).

## D.2.3 CSWPP PERFORMANCE AND COMPLIANCE PROVISIONS

The changing conditions typical of construction sites call for frequent field adjustments of existing ESC and SWPPS measures or additional ESC and SWPPS measures in order to meet required performance. In some cases, strict adherence to specified measures may not be necessary or practicable based on site conditions or project type. In other cases, immediate action may be needed to avoid severe impacts. Therefore, careful attention must be paid to ESC and SWPPS performance and compliance in accordance with the provisions contained in this section.

### D.2.3.1 CSWPP SUPERVISOR

For projects in Targeted, Full, or Large Project Drainage Review, or projects in Directed Drainage Review as determined by CED review staff, the applicant must designate a **CSWPP supervisor** who shall be responsible for the performance, maintenance, and review of ESC and SWPPS measures and for compliance with all permit conditions relating to CSWPP as described in the *CSWPP Standards*. The applicant's selection of a CSWPP supervisor must be approved by the City. (City approval may be rescinded for non-compliance, requiring the applicant to select another CSWPP supervisor and obtain City approval prior to continuing work on the project site.)

For projects that disturb one acre or more of land, the CSWPP supervisor must be a **Certified Professional in Erosion and Sediment Control** (see <[www.cpesc.net](http://www.cpesc.net)> for more information) or a **Certified Erosion and Sediment Control Lead** whose certification is recognized by the City.<sup>11</sup> The City may also require a certified ESC professional for sites smaller than one acre of disturbance if CED determines that onsite ESC measures are inadequately installed, located, or maintained.

<sup>11</sup> The City's recognition of certification means that the individual has taken an approved third party training program and has passed the approved test for that training program.

For **larger, more sensitive sites**, the City may require a certified ESC professional with several years of experience in construction supervision/inspection and a background in geology, soil science, or agronomy. Typically, if a geotechnical consultant is already working on the project, the consultant may also be a certified ESC professional designated as the CSWPP supervisor. The design engineer may also be qualified for this position. This requirement shall only be used for sensitive sites that pose an unusually high risk of impact to surface waters as determined by CED. At a minimum, the project site must meet all of the following conditions in order to require the applicant to designate as the CSWPP supervisor a certified ESC professional with such expertise:

- Alderwood soils or other soils of Hydrologic Group C or D
- Five acres of disturbance
- Large areas (i.e., two or more acres) with slopes in excess of 10 percent.

Proximity to streams or wetlands or phosphorus-sensitive lakes, such as Lake Sammamish, shall also be a factor in determining if such expertise in the CSWPP supervisor is warranted. However, proximity alone shall not be a determining factor because even projects that are a considerable distance from surface waters can result in significant impacts if there is a natural or constructed drainage system with direct connections to surface waters.

The name, address, and phone number of the CSWPP supervisor shall be supplied to the City prior to the start of construction. A sign shall be posted at all primary entrances to the site identifying the CSWPP supervisor and his/her phone number. The requirement for a CSWPP supervisor does not relieve the applicant of ultimate responsibility for the project and compliance with Renton Municipal Code.

### **D.2.3.2 MONITORING OF DISCHARGES**

The CSWPP supervisor shall have a turbidity meter onsite and shall use it to monitor surface and storm water discharges from the *project site* and into onsite wetlands, streams, or lakes whenever runoff occurs from onsite activities and during storm events. The CSWPP supervisor shall keep a log of all turbidity measurements taken onsite and make it available to CED upon request. If the *project site* is subject to a NPDES general permit for construction issued by the Washington State Department of Ecology (Ecology), then the project must comply with the monitoring requirements of that permit.

The CSWPP supervisor shall also use the specific SWPPS BMP procedures for monitoring surface and stormwater discharge for pollutants and acceptable discharge levels. The CSWPP supervisor shall keep logs as required by the procedures of all measurements taken onsite and make them available to CED on request.

### **D.2.3.3 ESC PERFORMANCE**

ESC measures shall be applied/installed and maintained so as to prevent, to the maximum extent practicable, the transport of sediment from the project site to downstream drainage systems or surface waters or into onsite wetlands, streams, or lakes or onto adjacent properties. This performance is intended to be achieved through proper selection, installation, and operation of the above ESC measures as detailed in the *CSWPP Standards* (Appendix D) and approved by the City. However, the CSWPP supervisor designated per Section D.2.3.1 or the City may determine at any time during construction that such approved measures are not sufficient and additional action is required based on one of the following criteria:

1. IF a turbidity test of surface and storm water discharges leaving the project site is greater than the benchmark value of 25 nephelometric turbidity units (NTU) set by the Washington State Department of Ecology, but less than 250 NTU, the CSWPP Supervisor shall do all of the following:
  - a) Review the ESC plan for compliance and make appropriate revisions within 7 days of the discharge that exceeded the benchmark of 25 NTU, AND



- b) Fully implement and maintain appropriate ESC measures as soon as possible but no later than 10 days after the discharge that exceeded the benchmark, AND
  - c) Document ESC implementation and maintenance in the site log book.
2. IF a turbidity test of surface or storm water entering onsite wetlands, streams, or lakes indicates a turbidity level greater than 5 NTU above background when the background turbidity is 50 NTU or less, or 10% above background when the background turbidity is greater than 50 NTU, then corrective actions and/or additional measures beyond those specified in *SWDM* Section 1.2.5.1 shall be implemented as deemed necessary by the CED inspector or onsite CSWPP supervisor.
  3. IF discharge turbidity is 250 NTU or greater, the CSWPP Supervisor shall do all of the following:
    - a) Notify the City by telephone, AND
    - b) Review the ESC plan for compliance and make appropriate revisions within 7 days of the discharge that exceeded the benchmark of 25 NTU, AND
    - c) Fully implement and maintain appropriate ESC measures as soon as possible but no later than 10 days after the discharge that exceeded the benchmark, AND
    - d) Document ESC implementation and maintenance in the site log book. AND
    - e) Continue to sample discharges until turbidity is 25 NTU or lower, or the turbidity is no more than 10% over background turbidity.
  4. IF the City determines that the condition of the construction site poses a **hazard to adjacent property** or may **adversely impact drainage facilities or water resources**, THEN additional measures beyond those specified in *SWDM* Section 1.2.5.1 may be required by the City.

#### D.2.3.4 SWPPS PERFORMANCE

SWPPS measures shall be applied/installed and maintained so as to prevent, reduce, or eliminate the discharge of pollutants to onsite or adjacent stormwater systems or watercourses or onto adjacent properties. This performance is intended to be achieved through proper selection, installation, and operation of the above SWPPS measures as detailed in the *CSWPP Standards* (Appendix D) and approved by the City. However, the CSWPP supervisor designated per Section D.2.3.1 or the City may determine at any time during construction that such approved measures are not sufficient and additional action is required based on the criteria described in the specific SWPPS BMP standard and/or conditions of an approved adjustment.

#### D.2.3.5 FLEXIBLE COMPLIANCE

Some projects may meet the intent of Core Requirement #5 while varying from specific CSWPP requirements in this appendix. If a project is designed and constructed such that it meets the intent of the core requirement, the City may determine that strict adherence to a specific ESC requirement is unnecessary; an approved adjustment (see Section 1.4) from the *SWDM* is not required in these circumstances. Certain types of projects are particularly likely to warrant this greater level of flexibility; for instance, projects on relatively flat, well drained soils, projects that are constructed in closed depressions, or projects that only disturb a small percentage of a forested site may meet the intent of this requirement with very few ESC measures. Note, however, that SWPPS requirements may actually be emphasized on well-drained soils, particularly in groundwater protection or well-protection areas, or in close proximity to water bodies.

#### D.2.3.6 ROADS AND UTILITIES COMPLIANCE

Road and utility projects often pose difficult erosion control challenges because they frequently cross surface waters and because narrow right-of-way constrains areas available to store and treat sediment-laden water. In most cases, the standards of this appendix may be applied to such linear projects without

modification. For instance, the ability to use perimeter control rather than a sediment retention facility for small drainage areas (see Section D.2.1.3) will apply to many of these projects.

However, there may be some projects that cannot reasonably meet the standards of Core Requirement #5 and this appendix. In these cases, other measures may be proposed that will provide reasonable protection. An adjustment is not required for such projects, unless the City determines that measures proposed by the applicant fail to meet the intent of Core Requirement #5 and this appendix, and that significant adverse impacts to surface water may result. Examples of other measures that may be taken in lieu of the standards of this appendix are:

1. Phasing the project so that the site is worked progressively from end to end, rather than clearing and grubbing the entire length of the project. This results in smaller exposed areas for shorter durations, thus reducing the erosion risk. It is recommended that there be no more than 500 feet of open trench during any phase of construction.
2. Placement of excavated materials from utility trenches on the upslope side of the excavation, to minimize transport of sediment outside of the project area.
3. Mulching and vegetating cut and fill slopes as soon as they are graded. Frequently, this is done at the end of construction when paving or utility installation is complete. Vegetating these areas at the start of the project stabilizes those areas most susceptible to erosion.
4. Protecting all catch basin inlets with catch basin inserts or other inlet protection when these do not drain to ponds or traps. This will not provide the same level of protection as a sediment pond or trap, but can remove most of the sand-sized material entrained in the runoff.
5. Phasing the project so that all clearing and grading in critical area buffers occurs in the dry season. This substantially reduces the chance of erosion and allows for rapid revegetation in the late summer and early fall.
6. Using approved flocculent or other chemical treatment approved by the City to reduce the turbidity of water released from sediment ponds.
7. Hiring a private consultant with expertise in ESC to review and monitor the site.
8. Limiting employee/contractor parking and overnight/weekend parking of construction vehicles to dedicated and controlled areas prepared for drip and spill control. Options in the right-of-way for such areas can be limited.

If alternatives are used, it may be appropriate to develop a monitoring program that would monitor compliance with the performance standard of Core Requirement #5 and/or impacts to nearby water resources. Of particular concern are impacts to salmonid spawning gravels. McNeil sampling is a possible method of sampling to determine impacts to spawning gravels (see Section D.2.4.3).

### **D.2.3.7 ALTERNATIVE MEASURES**

In general, the *SWDM* only contains those BMPs that are standards of the local industry. There are a variety of other BMPs available that may also be used, even though they are not included in this appendix. Such alternatives may be approved without an adjustment if the alternative will produce a compensating or comparable result with the measures in this appendix. Variations on or modifications of the BMPs in this appendix may also be granted based on the same criteria.

An adjustment may be required for products or techniques that are new and untested (see Section 1.4.4 of the *SWDM*). In addition, the new product or technique must be approved through the state Department of Ecology's *CTAPE program*.<sup>12</sup> The intent of this requirement is not to discourage new techniques, but to

---

<sup>12</sup> CTAPE stands for Chemical Technology Assessment Protocol – Ecology. For more information, see Ecology's website at [http://www.ecy.wa.gov/programs/wq/stormwater/newtech/tape\\_ctape.htm](http://www.ecy.wa.gov/programs/wq/stormwater/newtech/tape_ctape.htm).

ensure that new techniques are monitored and documented for adequacy and possible inclusion in subsequent versions of the *SWDM*.

## D.2.4 CSWPP IMPLEMENTATION REQUIREMENTS

This section describes the CSWPP implementation requirements that are required at each construction site. The measures and practices correspond to the implementation requirements in Core Requirement #5. Three of the sections (the CSWPP report (Section D.2.4.1, below), CSWPP maintenance requirements (Section D.2.4.4), and final site stabilization (Section D.2.4.5) are required of every project. The rest of the sections are special requirements that may apply to the project depending on site conditions and project type. The introductory paragraphs at the beginning of most sections present the purpose of the measures and when they should be applied to the site. Compliance with the implementation requirements (as appropriate for the site) ensures compliance with the CSWPP measures. Note, however, that additional measures shall be required by the City if the existing standards are insufficient to protect adjacent properties, drainage facilities, or water resources.

### D.2.4.1 CSWPP PLAN

A *CSWPP plan*, containing the ESC plan and the SWPPS plan, and showing the location and details of ESC and SWPPS measures, is required for all proposed projects. It shall include a *CSWPP report*, which includes supporting information for providing ESC and SWPPS measures and meeting CSWPP implementation requirements. A copy of the CSWPP plan with CSWPP report shall be kept at the project site throughout all phases of construction. All of the materials required for the CSWPP report are standard parts of engineering plan submittals for projects requiring drainage review. The simplest approach to preparing this report is to compile the pieces during preparation for submittal and include the report as a separate part of the CSWPP plan submittal package. The CSWPP report shall include the following:

1. A detailed **construction sequence**, as proposed by the design engineer or erosion control specialist, identifying required ESC measures and implementation requirements;
2. A **technical information report** (TIR) and ESC and SWPPS plans for CED review in accordance with Sections 2.3.1 and 2.3.3 of the *SWDM*. Incorporate any City review comments as necessary to comply with Core Requirement #5 of the *SWDM* (Section 1.2.5) and the *Construction Stormwater Pollution Prevention Standards* adopted in this appendix;
3. Any **calculations** or information necessary to size ESC measures and demonstrate compliance with Core Requirement #5;
4. Descriptions and any supporting documentation, operating procedures, precautions, logging and reporting requirements, etc., for the project's SWPPS BMPs,
5. An **inspection and maintenance program** in accordance with Section D.2.4.4 that includes the designation of a certified CSWPP supervisor as point of contact; and
6. **Anticipated changes or additions** necessary during construction to ensure that ESC and SWPPS measures perform in accordance with Core Requirement #5 and Sections D.2.1 and D.2.2.

While the CSWPP plan focuses on the initial measures to be applied to the site, any changes or additions necessary during construction to ensure that ESC and SWPPS measures perform in accordance with Core Requirement #5 and Sections D.2.1, D.2.2 and D.2.4 must be identified in the CSWPP report. The City may require large, complex projects to phase construction and submit multiple ESC plans for different stages of construction. Development of new CSWPP plans is not required for changes that are necessary during construction.

### **D.2.4.2 WET SEASON REQUIREMENTS**

Any site with exposed soils during the wet season (October 1 to April 30) shall be subject to the special provisions below. In addition to the ESC cover measures (see Section D.2.1.2), these provisions include covering any newly seeded areas with mulch and identifying and seeding as much disturbed area as possible prior to September 23 in order to provide grass cover for the wet season. A “wet season ESC plan” must be submitted and approved by the City before work proceeds or continues.

#### **Wet Season Special Provisions**

All of the following provisions for wet season construction are detailed in the referenced sections. These requirements are listed here for the convenience of the designer and the reviewer.

1. The allowed time that a disturbed area may remain unworked without cover measures is reduced to two consecutive working days, rather than seven (Section D.2.1.2).
2. Stockpiles and steep cut and fill slopes are to be protected if unworked for more than 12 hours (Section D.2.1.2).
3. Cover materials sufficient to cover all disturbed areas shall be stockpiled on site (Section D.2.1.2).
4. All areas that are to be unworked during the wet season shall be seeded within one week of the beginning of the wet season (Section D.2.1.2.6).
5. Mulch is required to protect all seeded areas (Section D.2.1.2.2).
6. Fifty linear feet of silt fence (and the necessary stakes) per acre of disturbance must be stockpiled on site (Section D.2.1.3.1).
7. Construction road and parking lot stabilization are required for all sites unless the site is underlain by coarse-grained soil (Section D.2.1.4.2).
8. Sediment retention is required unless no offsite discharge is anticipated for the specified design flow (Section D.2.1.5).
9. Surface water controls are required unless no offsite discharge is anticipated for the specified design flow (Section D.2.1.6).
10. Phasing and more conservative BMPs must be evaluated for construction activity near surface waters (Section D.2.4.3).
11. Any runoff generated by dewatering may be required to discharge to the sanitary sewer (with appropriate discharge authorization), portable sand filter systems, or holding tanks (Section D.2.2).

### **D.2.4.3 CRITICAL AREAS RESTRICTIONS**

Any construction that will result in disturbed areas on or within a stream or associated buffer, a wetland or associated buffer, or within 50 feet of a lake shall be subject to the special provisions below. These provisions include, whenever possible, phasing the project so that construction in these areas is limited to the dry season. The City may require more conservative BMPs, including more stringent cover requirements, in order to protect surface water quality. Any project proposing work within 50 feet of a steep slope hazard area shall evaluate the need for diverting runoff that might flow over the top of the slope.

#### **Critical Areas Special Provisions**

Any project that disturbs areas on or within a stream or associated buffer, wetland or associated buffer, or within 50 feet of a lake has the potential to seriously damage water resources, even if the project is relatively small. While it is difficult to require specific measures for such projects because the CSWPP plan must be very site specific, the following recommendations shall be incorporated into the plan where appropriate:

1. Whenever possible, phase all or part of the project so that it occurs during the dry season. If this is impossible, November through February shall be avoided since this is the most likely period for large, high-intensity storms.
2. All projects shall be completed and stabilized as quickly as possible. Limiting the size and duration of a project is probably the most effective form of erosion control.
3. Where appropriate, sandbags or an equivalent barrier shall be constructed between the project area and the surface water in order to isolate the construction area from high water that might result due to precipitation.
4. Additional perimeter protection shall be considered to reduce the likelihood of sediment entering the surface waters. Such protection might include multiple silt fences, silt fences with a higher AOS, construction of a berm, or a thick layer of organic mulch upslope of a silt fence.
5. If work is to occur within the ordinary high water mark of a stream, most projects must isolate the work area from the stream by diverting the stream or constructing a cofferdam. Certain small projects that propose only a small amount of grading may not require isolation since diversions typically result in disturbance and the release of some sediment to the stream. For such small projects, the potential impacts from construction with and without a diversion must be weighed.
6. If a stream must be crossed, a temporary bridge shall be considered rather than allowing equipment to utilize the streambed for a crossing.

For projects in or near a salmonid stream, it may be appropriate to monitor the composition of any spawning gravels within a quarter-mile of the site with a McNeil sampler or similar method approved by the City before, during, and after construction. The purpose of such monitoring would be to determine if the fine content of the gravels increases as a result of construction impacts. Monitoring results could be used to guide erosion control efforts during construction and as a threshold for replacing spawning gravels if the fine content rises significantly.

#### **D.2.4.4 MAINTENANCE REQUIREMENTS**

All ESC and SWPPS measures shall be maintained and reviewed on a regular basis as prescribed in the maintenance requirements for each BMP and in this section. The CSWPP supervisor shall review the site for ESC and SWPPS at least weekly and within 24 hours of significant storms. The CWSPP supervisor shall also review the site for ESC and SWPPS during periods of active construction where maintenance conditions change with construction activity (e.g., site grading operations, or concrete construction and dewatering operations for a detention vault). The City requires a written record of these reviews be kept on site with copies submitted to CED within 48 hours.

##### **Documentation**

If CED requires that a written record be maintained, standard ESC and SWPPS Maintenance Reports forms, included in Section D.4.1, may be used. A copy of all the required maintenance reports shall be kept on site throughout the duration of construction. Detailed maintenance requirements for each ESC measure are provided in Section D.2.1. Maintenance requirements for SWPPS BMPs are specified in Section D.2.2 (as in the case of BMPs related to concrete handling or material containment) or may be specified as part of a treatment or monitoring program, often accompanied with adjustment conditions of approval.

##### **Review Timing**

Weekly reviews shall be carried out every 6 to 8 calendar days. Reviews shall also take place within 24 hours of significant storms. In general, a significant storm is one with more than 0.5 inches of rain in 24 hours or less. Other indications that a storm is “significant” are if the sediment ponds or traps are filled with water, or if gullies form as a result of the runoff.

*Note: The site is to be in compliance with the regulations of this appendix at all times. The requirement for periodic reviews does not remove the applicant’s responsibility for having the site constantly in*

*compliance with Core Requirement #5 and the requirements of this appendix. The reviews are a mechanism to ensure that all measures are thoroughly checked on a regular basis and that there is documentation of compliance. The requirement for these reviews does not mean that CSWPP is to be ignored in between.*

#### **D.2.4.5 FINAL STABILIZATION**

Prior to obtaining final construction approval, the site shall be stabilized, the structural ESC and SWPPS measures (such as silt fences, sediment traps, and concrete waste collection pits) removed, and drainage facilities cleaned. The removal of ESC and SWPPS measures is not required for those projects, such as plats, that will be followed by additional construction under a different permit. In these circumstances, the need for removing or retaining the measures must be evaluated on a site-specific basis.

To obtain final construction approval, the following conditions must be met:

1. All disturbed areas of the site shall be **vegetated or otherwise permanently stabilized**. At a minimum, disturbed areas shall be seeded and mulched (see Section D.2.1.2.6) with a high likelihood that sufficient cover will develop shortly after final approval. Mulch without seeding is not adequate to allow final approval of the permit, except for small areas of mulch used for landscaping. The only exceptions to these requirements are lots within a plat that are to be developed under an approved residential permit immediately following plat approval. In these cases, mulch and/or temporary seeding are adequate for cover.
2. Structural measures such as, but not limited to, silt fences, pipe slope drains, construction entrances, storm drain inlet protection, sediment traps and ponds, concrete washout and collection pits, and pollutant storage shall be removed from the site. Measures that will quickly decompose, such as brush barriers and organic mulches, may be left in place. In the case of silt fences, it may be best to remove fences in conjunction with the seeding, since it may be necessary to bring machinery back in to remove them. This will result in disturbed soils that will again require protection. The CED inspector must approve an applicant's proposal to remove fencing prior to the establishment of vegetation. In some cases, such as residential building following plat development, it shall be appropriate to leave some or all ESC measures for use during subsequent development. This shall be determined on a site-specific basis.
3. All permanent surface water facilities, including catch basins, manholes, pipes, ditches, channels, flow control facilities, and water quality facilities, shall be cleaned. Existing and newly constructed BMPs/facilities shall be cleaned and/or mitigated as necessary to restore functionality. Any offsite catch basin that required protection during construction (see Section D.2.1.5.3) shall also be cleaned.
4. If only the infrastructure of the site has been developed (e.g., subdivisions and short plats) with building construction to occur under a different permit, then the critical area buffers, Critical Area Tracts, or Critical Area Setback Areas shall be clearly marked as described in Section D.2.1.1 in order to alert future buyers and builders.

#### **D.2.4.6 NPDES REQUIREMENTS**

As part of NPDES implementation, projects that will disturb one or more acres for purposes of constructing or allowing for construction of a development, or projects disturbing less than one acre that are part of a larger *common plan of development or sale*<sup>13</sup> that will ultimately disturb one or more acres, must apply for coverage under Ecology's Construction Stormwater General Permit. In general, the

---

<sup>13</sup> **Common plan of development or sale** means a site where multiple separate and distinct construction activities may take place at different times or on different schedules, but still under a single plan. Examples include: 1) phased projects and projects with multiple filings or lots, even if the separate phases or filings/lots will be constructed under separate contract or by separate owners (e.g., a development where lots are sold to separate builders); 2) a development plan that may be phased over multiple years, but is still under a consistent plan for long-term development; and 3) projects in a contiguous area that may be unrelated but still under the same contract, such as construction of a building extension and a new parking lot at the same facility.

construction stormwater pollution prevention plan required by the *SWDM* is equivalent to that required by the State. The Ecology stormwater permit application requires the filing of a Notice of Intent (NOI) at least 30 days prior to the start of construction. The only major requirement of the stormwater permit that is not included in the *SWDM* is a public notice requirement. Note that this public notice for Ecology's stormwater permit may be published concurrently with other public notices required for permits or SEPA. Contact Ecology at (360) 407-7156 for complete information on permit thresholds, applications, and requirements.

### D.2.4.7 FOREST PRACTICE PERMIT REQUIREMENTS

Projects that will clear more than two acres of forest or 5,000 board feet of timber must apply for a Class IV Special Forest Practice permit from the Washington State Department of Natural Resources (WSDNR). All such clearing is also subject to the State Environmental Policy Act (RCW 43.21C) and will require SEPA review. The City assumes lead agency status for Class IV permits and the application may be consolidated with the associated City development permit or approval. The permit must be initiated with WSDNR, but will then be transferred over to the City to conduct the SEPA review and grant the permit. Contact the WSDNR for complete information on permit thresholds, applications, and requirements.

## D.2.5 CONSTRUCTION STORMWATER POLLUTION PREVENTION PLANS

This section details the specifications and contents for CSWPP plans, containing ESC plans and SWPPS plans. A CSWPP plan includes the plan's drawings plus a CSWPP report, which provides all supporting information and any additional direction necessary for implementing ESC and SWPPS measures and meeting CSWPP implementation requirements. The CSWPP plan must be submitted to CED as part of a complete engineering plan to facilitate proper drainage review. A copy of the approved CSWPP plan (with CSWPP report) must be kept on the project site (see Section D.2.4.1) at all times during the construction phase.

### D.2.5.1 ESC PLAN

#### ESC Plan General Specifications

The **site improvement plan** shall be used as the base of the ESC plan. Certain detailed information (e.g., pipe catch basin size, stub-out locations, etc.) that is not relevant may be omitted to make the ESC plan easier to comprehend. At a minimum, the ESC plan shall include all of the information required for the **base map of a site improvement plan** (see Table 2.3.1A of the *SWDM*), as well as existing and proposed roads, driveways, parking areas, buildings and drainage facilities (including existing and proposed BMPs/facilities), utility corridors not associated with roadways, *relevant critical areas*<sup>14</sup> and associated buffers, and proposed final topography. A smaller scale may be used to provide better comprehension and understanding.

The ESC plan shall generally be designed for proposed topography, not existing topography, since rough grading is usually the first step in site disturbance. The ESC plan shall **address all phases of construction** (e.g., clearing, grading, installation of utilities, surfacing, and final stabilization). The City may require large, complex projects to phase construction and submit multiple ESC plans for different stages of construction.

The ESC plan outlines the minimum requirements for anticipated site conditions. During construction, **ESC plans shall be revised as necessary** by the CSWPP supervisor or as directed by the City to address changing site conditions, unexpected storm events, or non-compliance with the ESC performance criteria in Section D.2.3.3. If non-compliance with the ESC performance criteria occurs, the plan must be updated

<sup>14</sup> *Relevant critical areas*, for the purposes of drainage review, include aquatic areas, wetlands, flood hazard areas, erosion hazard areas, landslide hazard areas, steep slope hazard areas, and critical aquifer recharge areas.

within 7 days of inspections or investigations. Implementation of the onsite changes must occur within 10 days.

The following list provides the basic information requirements for the ESC plan and its supporting documentation. This information shall be consistent with that in Section 8 of the plan's technical information report (TIR) required in the engineering plan submittal (see Section 2.3.1 of the *SWDM*). Note that the ESC plan's drawings may be simplified by the use of the symbols and codes provided for each ESC measure in Section D.2.1. In general, the ESC plan's drawings shall be submitted as a separate plan sheet(s). However, there may be some relatively simple projects where providing a separate grading and ESC plan drawing is unnecessary.

1. Identify areas with a high **susceptibility to erosion**.
2. Provide all details necessary to clearly illustrate the **intent of the ESC design**.
3. Include ESC measures for all on- and offsite **utility construction** included in the permit.
4. Specify the **construction sequence**. The construction sequence shall be specifically written for the proposed project. An example construction sequence is provided in Reference Section 7-B.
5. Include **standard ESC plan notes**. Standard ESC and SWPPS Notes are provided in Reference Section 7-B.
6. Include an **inspection and maintenance program** for ESC measures, including designation of a certified ESC supervisor and identification of phone numbers for 24-hour contact.
7. Include the **basis and calculations** for selection and sizing of ESC measures.
8. Include documentation, conditions of approval and discussion of approvals from other agencies for alternative treatment and/or disposal methods.

### **ESC Plan Measure-Specific Information**

The ESC plan must include the following information specific to applicable ESC measures and implementation requirements. As noted above, this information may need to be updated or revised during the life of the project by the CSWPP supervisor or as directed by the City.

#### **Clearing Limits**

1. **Delineate** clearing limits (areas to remain uncleared) and on-site BMP area protection limits.
2. Provide **details** sufficient for installation of markings for maintenance of clearing limits and protection limits.

#### **Cover Measures**

1. Specify the type and location of **temporary cover measures** to be used on site.
2. If **more than one type of cover measure** is to be used on site, indicate the areas where the different measures shall be used, including steep cut and fill slopes.
3. If the type of cover measures to be used will vary depending on the time of year, soil type, gradient, or some other factor, **specify the conditions that control the use of the different measures**.
4. Specify the nature and location of **permanent cover measures**. If a landscaping plan is prepared, this may not be necessary.
5. Specify the approximate amount of cover measures necessary to cover all disturbed areas.
6. If **netting, blankets, or plastic sheeting** are specified, provide typical details sufficient for installation and maintenance.
7. Specify the **mulch types, seed mixes, fertilizers, and soil amendments** to be used, as well as the application rate for each item. (Also include fertilizer and application rate information in the SWPPS documents)



8. For **surface roughening**, describe methods, equipment and areas where surface roughening will be use.
9. If **PAM** is used on a site, show location(s) and describe application method.
10. When **compost blankets** are used, show site location, application rates, and the name of the supplier to document that compost meets quality specifications per *SWDM* Reference Section 11-C.

### Perimeter Protection

1. Specify the **location and type** of perimeter protection to be used.
2. Provide **typical details** sufficient for installation and maintenance of perimeter protection.
3. If a **silt fence** is to be used, specify the type of fabric.
4. If **compost berms or socks** are used, documentation must be provide to ensure the supplier meets quality specifications per *SWDM* Reference Section 11-C.

### Traffic Area Stabilization

1. Locate the construction entrance(s).
2. Provide typical details sufficient for installation and maintenance of the construction entrance.
3. Locate the construction roads and parking areas.
4. Specify the measure(s) that will be used to create stabilized construction roads and parking areas. Provide sufficient detail to install and maintain.
5. If a wheel wash or tire bath system will be installed, provide location, typical details for installation and maintenance.
6. Provide a list of dust control products that will be used onsite and the location of potential application areas.

### Sediment Retention

1. Show the **locations** of all sedimentation ponds and traps.
2. Dimension pond **berm widths** and all inside and outside pond slopes.
3. Indicate the **trap/pond storage** required and the depth, length, and width dimensions.
4. Provide typical **section views** throughout the pond and outlet structure.
5. If **chemical or electrocoagulation treatment** of sediment-laden waters will be used, approval documentation from Ecology must be included.
6. Provide details for **disposal of contaminated or chemically treated waters** (e.g., where Chitosan or CO<sub>2</sub> have been used).
7. Include here and in the SWPPS plan appropriate **approval documentation from King County and the City of Renton** if contaminated or chemically treated water will be discharged to the sanitary sewer.
8. Provide typical details of the **control structure and dewatering mechanism**.
9. Detail **stabilization techniques** for the outlet/inlet protection.
10. Provide details sufficient to install **cell dividers**.
11. Specify mulch and/or recommended **cover of berms and slopes**.
12. Indicate the **required depth gage** with a prominent mark at 1-foot depth for sediment removal.
13. Indicate **catch basins** that are to be protected.
14. Indicate **existing and proposed BMP/facility areas** that are to be protected.
15. Provide **details of the catch basin and BMP/facility protection** sufficient to install and maintain.

### Surface Water Control

1. **Locate** all pipes, ditches, and interceptor ditches, dikes, and swales that will be used to convey stormwater.
2. Provide **details** sufficient to install and maintain all **conveyances**.
3. Indicate locations of **outlet protection** and provide detail of protections.
4. Indicate locations and outlets of any possible **dewatering systems**. Provide details of alternative discharge methods from dewatering systems if adequate infiltration rates cannot be achieved. Alternative dewatering systems may also require documentation per the SWPPS plan.
5. Indicate the location of any **level spreaders** and provide details sufficient to install and maintain.
6. Provide all **temporary pipe inverts**.
7. Provide location and specifications for the **interception of runoff from disturbed areas** and the conveyance of the runoff to a non-erosive discharge point.
8. Provide **locations** of **rock check dams**.
9. Provide **details**, including front and side sections, of typical **rock check dams**.

### Wet Season Requirements

1. Provide a **list** of all applicable wet season requirements.
2. Clearly identify that from October 1 through April 30, no soils shall be exposed for more than two consecutive working days. Also note that this **two-day requirement** may be applied at other times of the year if storm events warrant more conservative measures.
3. Clearly identify that **exposed soils shall be stabilized** at the end of the workday prior to a weekend, holiday, or predicted rain event.

### Critical Areas Restrictions

1. **Delineate and label the following critical areas**, and any applicable buffers, that are on or adjacent to the project site: aquatic areas, wetlands, flood hazard areas, erosion hazard areas, landslide hazard areas, steep slope hazard areas, and critical aquifer recharge areas.
2. If construction creates disturbed areas within any of the above listed critical areas or associated buffers, specify the type, locations, and details of any **measures or other provisions necessary to comply with the critical area restrictions** in this appendix and protect surface waters and steep slopes.

## D.2.5.2 SWPPS PLAN

### SWPPS Plan General Specifications

The **SWPPS plan**, together with the ESC plan, comprise the CSWPP that must be submitted as part of the engineering plans required for drainage review.

The SWPPS plan shall **address all phases of construction** (e.g., clearing, grading, installation of utilities, surfacing, and final stabilization). The City may require large, complex projects to phase construction and submit multiple SWPPS plans for different stages of construction.

The SWPPS plan outlines the minimum requirements for anticipated site conditions and construction activity. During construction, **SWPPS plan shall be revised as necessary** by the CSWPP supervisor or as directed by the City to address changing site conditions or construction activity, unexpected storm events, or non-compliance with the SWPPS performance criteria in Section D.2.3.4. If non-compliance with the SWPPS performance criteria occurs (e.g., a pollutant spill), immediate action may be necessary to address the occurrence; otherwise, the plan must be updated within 7 days of inspections or investigations. Implementation of the onsite changes must occur within 10 days.

The SWPPS plan must be kept on *site* during all phases of construction and shall **address the construction-related pollution-generating activities outlined in Subsection A below**. The plan must include a description of the methods the general contractor will use to ensure sub-contractors are aware of the SWPPS plan. A **form or record** must be provided that states all sub-contractors have read and agree to the SWPPS plan.

A SWPPS plan consists of the following three elements, which are further described in Subsections B, C, and D below:

1. A **site plan** with supporting documentation, showing the location and description of BMPs required to prevent pollution and control spills from construction activities and from chemicals and other materials used and stored on the construction site. **Supporting documentation** (see the TIR Section 8 discussion in Section 2.3.1.1 of the *SWDM*) shall include:
  - all details necessary to clearly illustrate the intent of the SWPPS design;
  - the basis, supporting documentation and approvals, and any calculations for selection and sizing of SWPPS measures; and
  - an inspection and maintenance program for SWPPS measures, including designation of a certified ESC professional and CSWPP supervisor and identification of phone numbers for 24-hour contact.
  - documentation, conditions of approval and discussion of approvals from other agencies for treatment and/or disposal methods (e.g., discharge to sanitary sewer, Ecology-approved chemical treatments).
  - The SWPPS plan shall also **discuss the receiving waters**, especially if the receiving water body is listed on the **303d list**. Information must be provided that shows the plan meets **TMDL requirements**. Discuss the 303(d) listed pollutant generated or used onsite and any special handling requirements or BMPs.

See Subsection B below for more specifics on the SWPPS site plan.
2. A **pollution prevention report** listing the potential sources of pollution and identifying the operational, source control, and treatment BMPs necessary to prevent/mitigate pollution from these sources. See Subsection C below for more specifics on the SWPPS pollution prevention report.
3. A **spill prevention and cleanup report** describing the procedures and BMPs for spill prevention and including provisions for cleanup of spills should they occur. See Subsection D below for more specifics on the SWPPS spill prevention and cleanup report.

#### A. ACTIVITY-SPECIFIC INFORMATION REQUIRED

At a minimum, the SWPPS plan shall address, if applicable, the following pollution-generating activities typically associated with construction and include the information specified below for each activity. If other pollution-generating activities associated with construction of the proposed project are identified, the SWPPS plan must address those activities in a similar manner.

##### Storage and Handling of Liquids

1. Identify liquids that will be handled or stored onsite, including but not limited to petroleum products, fuel, solvents, detergents, paint, pesticides, concrete admixtures, and form oils.
2. Specify types and sizes of containers of liquids that will be stored/handled onsite. Show locations on the SWPPS site plan.
3. Describe secondary containment methods adequately sized to provide containment for all liquids stored onsite. Show the locations of containment areas on the SWPPS site plan.

**Storage and Stockpiling of Construction Materials and Wastes**

1. **Identify** construction materials and wastes that may be generated or stockpiled onsite. Show the **locations** where these materials and wastes will be generated and stockpiled on the SWPPS site plan.
2. Specify type of **cover measures** to be used to keep rainwater from contacting construction materials and wastes that can contribute pollutants to storm, surface, and ground water.
3. If wastes are kept in **containers**, describe how rainwater will be kept out of the containers.

**Fueling**

1. Specify **method of onsite fueling** for construction equipment (i.e., stationary tanks, truck mounted tanks, wet hosing, etc.). If stationary tanks will be used, show their location on the SWPPS site plan.
2. Describe **type and size of tanks**.
3. Describe **containment methods for fuel spills** and make reference to the SWPPS site plan for location information.
4. If fueling occurs **during evening hours**, describe lighting and signage plan. Make reference to the SWPPS site plan for location information.

**Maintenance, Repairs, and Storage of Vehicles and Equipment**

1. Identify **maintenance and repair areas** and show their locations on the SWPPS site plan. Use of drip pans or plastic beneath vehicles is required. A note to this effect must be shown on the SWPPS site plan.
2. Describe method for collection, storage, and disposal of **vehicle fluids**.
3. If an area is designated for vehicle maintenance, **signs must be posted** that state no vehicle washing may occur in the area. A note to this effect must be shown on the SWPPS site plan.

**Concrete Saw Cutting, Slurry, and Washwater Disposal**

1. Identify **truck washout areas** to ensure such areas are not within an *Aquifer Protection Area*. If they are, the washout area must be lined with an impervious membrane. Show location information on the SWPPS site plan.
2. Specify **size of sumps** needed to collect and contain slurry and washwater. Show location information on the SWPPS site plan.
3. Identify **areas for rinsing hand tools** including but not limited to screeds, shovels, rakes, floats and trowels. Show the locations of these areas on the SWPPS site plan.
4. Describe **methods for collecting, treating, and disposal** of waste water from exposed aggregate processes, concrete grinding and saw cutting, and new concrete washing and curing water. Do not use upland land applications for discharging wastewater from concrete washout areas.

**Handling of pH Elevated Water**

New concrete vaults/structures may cause collected water to have an elevated pH. This water cannot be discharged to storm or surface water until neutralized.

1. Provide details on **treating/neutralizing water** when pH is not within neutral parameters.
2. Provide details on **disposal of water** with elevated pH or of the treated water.
3. If **approvals from other agencies for treatment and/or disposal methods** (e.g., discharge to sanitary sewer, Ecology-approved chemical treatments) have been obtained, indicate such approvals on the plan.

### Application of Chemicals Including Pesticides and Fertilizers

1. Provide a **list of chemicals** that may be used on the *project site* and the application rates.
2. Describe **where and how chemicals will be applied**. Show location information on the SWPPS site plan.
3. Describe **where and how chemicals will be stored**. Show location information on the SWPPS site plan.

### B. SWPPS SITE PLAN

The *site* plan element of the SWPPS plan shall include all of the information required for the base map (see *SWDM* Table 2.3.1.A), as well as existing and proposed roads, driveways, parking areas, buildings, drainage facilities, utility corridors not associated with roadways, *relevant critical areas*<sup>15</sup> and associated buffers, and proposed final topography. A smaller scale may be used to provide more comprehensive details on specific locations of each activity and specific prevention measure. In addition to this information, the following items, at a minimum, shall be provided as applicable:

1. Include SWPPS measures for all on- and offsite **utility and roadway construction** included in the permit.
2. Specify the **construction sequence**. The construction sequence shall be specifically written for the proposed project. An example construction sequence is provided in Reference Section 7-B.
3. Append to the **standard ESC plan notes any site specific SWPPS notes** (see ESC Plans General Specifications above) and specify the construction sequence, including offsite roadway/utility construction and periods of concentrated construction of concrete structures (e.g., detention vaults). Standard ESC and SWPPS Notes are provided in the Reference Section 7-B.
4. Identify locations where **liquids will be stored** and delineate secondary containment areas that will be provided. (*Secondary containment* means placing tanks or containers within an impervious structure capable of containing 110% of the volume contained in the largest tank within the containment structure. Double-walled tanks do not require additional secondary containment.)
5. Identify locations where **construction materials and wastes** will be generated and stockpiled.
6. Identify location of **fueling for vehicles and equipment** if stationary tanks will be used.
7. Delineate **containment areas** for fuel spills.
8. Show location of **lighting and signage** for fueling during evening hours.
9. Delineate **maintenance and repair areas** and clearly note that drip pans or plastic shall be used beneath vehicles. Also, clearly note that signs must be posted that state no **vehicle washing** may occur in the area.
10. Delineate **truck washout areas** and identify the location of **slurry/washwater sumps and rinsing areas** for tools. To ensure the wheel wash/tire bath from the ESC plan and the concrete washout areas are at separate locations, show the location of the wheel wash or tire bath per the ESC plan. (ESC wheel wash or tire bath wastewater shall not include wastewater from concrete washout areas.)
11. Delineate where **chemicals** will be applied and identify where they will be stored.
12. Identify where **spill response materials** will be stored.
13. Indicate whether written approval from Ecology has been obtained for the use of chemical treatment other than CO<sub>2</sub> or dry ice to adjust pH, and provide necessary details and conditions.

<sup>15</sup> *Relevant critical areas*, for the purposes of drainage review, include aquatic areas, wetlands, **flood hazard areas**, **erosion hazard areas**, **landslide hazard drainage areas**, and **steep slope hazard areas**.

### C. POLLUTION PREVENTION REPORT

This report provides the specifics on pollution prevention and must include the following information in addition to the activity-specific information specified in Subsection A above:

1. List the possible **sources of pollution** per Subsection A above and identify the BMPs to be used for each source to prevent pollution. Include any **supporting information** (site conditions, calculations, etc.) for the selection and sizing of pollution prevention BMPs.
2. Identify the **personnel** responsible for pollution prevention and clearly list the responsibilities of each person identified. **Contact information** for these personnel must be clearly identified in the report and on the SWPPS site plan.
3. Describe the **procedures** to be used for monitoring pollution prevention BMPs and for responding to a BMP that needs attention, including keeping records/reports of all inspections of pollution prevent BMPs (see Reference Section 4.3 in this appendix) for examples of worksheets that may be used).

### D. SPILL PREVENTION AND CLEANUP REPORT

This report provides the specifics on spill prevention and cleanup and must include the following information in addition to any activity-specific information in Subsection A above related to spill prevention:

1. List the possible **sources of a spill** and identify the BMPs to be used for each source to prevent a spill.
2. Identify **personnel** responsible for spill prevention and cleanup and clearly list the responsibilities of each person identified. **Contact information** for these personnel must be clearly identified in the report and on the SWPPS site plan.
3. Describe the **procedures** to be used for monitoring spill prevention BMPs and for responding to a spill incident, including keeping records/reports of all inspections and spills (see Reference Section 4.3 in this appendix for examples of worksheets that may be used).
4. Identify where **spill response materials** will be stored. Make reference to the SWPPS site plan for location information.
5. Identify **disposal methods** for contaminated water and soil after a spill.

## D.3 SMALL SITE CSWPP

Smaller project sites have similar ESC and SWPPS needs. This section offers a simplified set of requirements for applying erosion and sediment and pollutant/spill controls to certain smaller project sites and guides the user through the preparation and submittal of a Small Site CSWPP Plan with the permit application.

### D.3.1 INTRODUCTION TO SMALL SITE CSWPP

#### What is CSWPP, ESC and SWPPS, and Why is it Required for My Site?

*ESC* – for erosion and sediment control and *SWPPS* – for stormwater pollution prevention and spill control are two strategies comprising the *Construction Stormwater Pollution Prevention (CSWPP)* plan requirement on construction sites in the City.

The basic erosion and sediment control requirement—that sediment transport and other construction related pollutants shall be prevented to the maximum extent practicable from leaving the site—**applies to all projects in the City of Renton**. All projects, including those with small project sites, are required to use ESC measures. ESC measures prevent soil erosion during development of the site. The types of measures required for small sites are generally simple to construct and easy to maintain, and with few exceptions do not require engineering or formal design. Examples of such measures include silt fences, phasing or minimizing clearing, routing water around exposed soils, and placing straw or other mulching materials and cover exposed soils.

ESC is required because soils eroded from the site are *always* deposited downstream in pipes, streams, or lakes. Soils deposited in a pipe or channel reduce its capacity to convey flows and can increase the likelihood of flooding. Soils deposited in BMPs/facilities can significantly reduce their infiltrative capacity. Soils deposited in streams can clog the gravels that salmon use for spawning. Nutrients associated with soils that reach lakes can upset the chemical balance of the lake, causing excessive growth of algae and decreasing recreational uses such as swimming, boating, and fishing.

While the majority of small sites will have less need for the type and extent of construction activity found on large projects, some activities and the materials used are common to all site construction. SWPPS measures are required to ensure effective planning and implementation of proper handling, spill prevention and cleanup for equipment fuels and petroleum products, paints and solvents, high pH wastewater from concrete construction operations and other pollutants common on small sites. Measures on small sites are usually straightforward and easily implemented.

#### Which Projects May Use Small Site Construction Stormwater Pollution Prevention Requirements?

All projects that do any amount of land disturbing activity are subject to the ESC standards in this appendix per RMC 4-4-060 regardless of whether a permit is required or drainage review under the *SWDM* is triggered. Any such project that is not subject to drainage review under the *SWDM* and that disturbs soil on less than 1 acre of land may use the Small Site CSWPP requirements contained in this section. In addition, these projects must apply erosion and sediment control in accordance with RMC 4-4-060.

Any proposed project subject to Simplified Drainage Review as determined in Section 1.1.2.1 of the *SWDM*, and which disturbs soil on less than 1 acre of land, may use the Small Site CSWPP requirements contained in this section. These same requirements are contained in Appendix C of the *SWDM*, which details the drainage requirements for small agricultural and single family residential building or subdivision projects subject to Simplified Drainage Review.

### What Will I Be Required To Do?

It is the responsibility of both the applicant and the contractor to minimize erosion and the transport of sediment and pollutants to the greatest extent possible. You and/or your contractor will be required to evaluate each of the small site ESC and SWPPS requirements specified in Section D.3.2 below for applicability to your project site. This evaluation and the proposed ESC and SWPPS measures to be used to meet these requirements will need to be documented in a Small Site CSWPP Plan that must be submitted to CED for approval prior to commencing land disturbing activities. See the submittal requirements in Section D.3.6.

## D.3.2 SMALL SITE CSWPP REQUIREMENTS

For projects that disturb less than 1 acre of land, all of the following small site ESC and SWPPS requirements must be evaluated for applicability to the proposed project:

### A. MARK CLEARING LIMITS/MINIMIZE CLEARING

Prior to beginning land disturbing activities, all clearing limits, sensitive areas and their buffers, trees that are to be preserved within the construction area and any existing or proposed on-site BMP areas shall be clearly marked, both in the field and on the small site CSWPP plan, to prevent damage and offsite impacts. Also, clearing shall be minimized to the maximum extent practicable. See “**Mark Clearing Limits/Minimize Clearing**,” Section D.3.4.1, for more detailed specifications.

### B. MINIMIZE SEDIMENT TRACKED OFFSITE

1. Establish a stabilized entrance for construction vehicle access to minimize the tracking of sediment onto public roads. Entrance and exit shall be limited to one route, if possible. See “**Stabilized Construction Entrance**,” Section D.2.1.4.1, for detailed specifications.
2. If sediment is tracked offsite, public roads shall be cleaned thoroughly at the end of each day, or more frequently during wet weather, if necessary to prevent sediment from entering waters of the state. Sediment shall be removed from roads by shoveling or pickup sweeping and shall be transported to a controlled sediment disposal area. Street washing will be allowed only after sediment is removed in this manner. Street wash wastewater shall be controlled by pumping back onsite, or otherwise be prevented from discharging into drainage systems tributary to surface waters. This requirement **shall be included as a note** on the small site CSWPP plan.

### C. CONTROL SEDIMENT

Runoff from disturbed areas must pass through a sediment control measure to prevent the transport of sediment downstream until the disturbed area is fully stabilized. Sediment controls must be installed as one of the first steps in grading and shall be functional before other land disturbing activities take place. One or more the following sediment controls may be used to meet this requirement:

- **Silt Fence** (See Section D.2.1.3.1)
- **Vegetated Strip** (See Section D.2.1.3.3)
- **Triangular Silt Dike** (See Section D.2.1.3.4)
- **Storm Drain Inlet Protection** (See Section D.2.1.5.3)

### D. STABILIZE EXPOSED SOILS

All exposed and unworked soils shall be stabilized through the application of **cover measures** to protect the soil from the erosive forces of raindrop impact, flowing water, and wind erosion. One or more of the following **cover measures** may be used to meet this requirement during the construction phase:

- **Mulching** (See Section D.2.1.2.2)
- **Plastic Covering** (See Section D.2.1.2.4)
- **Nets and Blankets** (See Section D.2.1.2.3)



- **Seeding** (See Section D.2.1.2.6)
- **Sodding** (See Section D.2.1.2.7)

Cover measures shall be applied in accordance with the following requirements:

1. Cover measures must be installed if an area is to remain unworked for more than seven days during the dry season (May 1 to September 30) or for more than two consecutive working days during the wet season (October 1 to April 30). These time limits may be relaxed if an area poses a low risk of erosion due to soil type, slope gradient, anticipated weather conditions, or other factors. Conversely, the City may reduce these time limits if site conditions warrant greater protection (e.g., adjacent to significant aquatic resources or highly erosive soils) or if significant precipitation is expected.
2. Any area to remain unworked for more than 30 days shall be seeded or sodded unless the City determines that winter weather makes vegetation establishment infeasible. During the wet season, exposed ground slopes and stockpile slopes with an incline of 3 horizontal to 1 vertical (3H:1V) or steeper and with more than ten feet of vertical relief shall be covered if they are to remain unworked for more than 12 hours. Also during the wet season, the material necessary to cover all disturbed areas must be stockpiled on site. The intent of these cover requirements is to have as much area as possible covered during any period of precipitation.

## E. CONTROL RUNOFF

Stormwater runoff originating on the *site* and/or entering the *site* from offsite areas must be controlled so as to minimize erosion of disturbed areas and exposed cut and fill slopes, and to minimize erosive impacts on existing or proposed on-site BMP areas. The following runoff control measures shall be used as needed per the conditions of use and specifications for each measure:

- **Interceptor Dikes and Swales** (see Section D.2.1.6.1 for conditions of use and specifications)
- **Ditches** (see Section D.3.4.2 for conditions of use and specifications)
- **Pipe Slope Drain** (see Section D.3.4.3 for conditions of use and specifications)

## F. CONTROL DEWATERING

Accumulated water in foundation areas, excavations, and utility trenches shall be removed and disposed of in a manner that does not pollute surface waters or cause downstream erosion or flooding. See “**Dewatering Control**,” Section D.2.1.7, for detailed specifications.

## G. CONTROL OTHER POLLUTANTS (SWPPS)

All construction activities shall be done in a manner that prevents pollution of surface waters and ground waters as specified in this appendix and King County’s *Stormwater Pollution Prevention Manual (SPPM)*. See “**Control of Other Pollutants (SWPPS)**” (Section D.3.5) for specific measures and references to applicable activity sheets in the *SPPM*. References to SWPPS BMPs from this appendix and applicable activity sheets in *SPPM* shall be included in the small site CSWPP plan.

## H. FINAL STABILIZATION

1. Prior to final construction approval, the *project site* shall be stabilized to prevent sediment-laden water from leaving the *project site* after project completion. All disturbed areas of the *project site* shall be vegetated or otherwise permanently stabilized. At a minimum, disturbed areas must be seeded and mulched to ensure that sufficient cover will develop shortly after final approval. Mulch without seeding is adequate for small areas to be landscaped before October 1.
2. All temporary ESC and SWPPS measures shall be removed within 30 days after final site stabilization is achieved or after the temporary measures are no longer needed. Trapped sediment shall be removed or stabilized onsite. On-site BMPs impacted during construction shall be restored. Disturbed soil areas resulting from removal of measures or vegetation shall be permanently stabilized with seeding or sodding.

### D.3.3 SMALL SITE CSWPP IMPLEMENTATION REQUIREMENTS

Projects that disturb less than 1 acre of land must implement the CSWPP measures determined necessary in Section D.3.2 in accordance with the following requirements:

1. The placement and type of proposed ESC and SWPPS measures are to be shown on a **Small Site CSWPP plan**. This plan must be in accordance with the specifications for such plans outlined in Section D.3.6 unless otherwise directed by CED.
2. If CED finds that implementation of the proposed **Small Site CSWPP plan is insufficient** to prevent the discharge of sediment or other pollutants to the maximum extent practicable, additional measures will be required by CED. In some cases, an ESC plan or a complete Construction Stormwater Pollution Plan prepared by a *civil engineer* per Chapter 2 of the *SWDM* may be required.
3. The contractor or other persons performing construction activities shall comply with the **stormwater pollution prevention and spill control measures/BMPs** specified for such activities in Section D.3.5 and/or the King County *SPPM*. A note to this effect must be put on the approved Small Site CSWPP plan.
4. Prior to commencing construction, the applicant must identify to the City a **contact person** responsible for overseeing the installation and maintenance of required ESC and SWPPS measures and compliance with this appendix and the *SPPM* during construction. The name and contact information for this person must be on or attached to Small Site CSWPP plan at the time of construction.
5. Both the **applicant and contractor are responsible** for implementation and maintenance of the approved CSWPP plan and any additional measures required by the City.
6. The **Small Site CSWPP plan shall be retained onsite** or within reasonable access to the site. The plan shall be modified whenever there is a significant change in the design, construction, operation, or maintenance at the construction site that has, or could have, a significant effect on the discharge of pollutants to surface waters. The plan shall be modified, if during inspections or investigations conducted by the City, it is determined that the plan is ineffective in eliminating or significantly minimizing pollutants in stormwater discharges from the site. The plan shall be modified as necessary to include additional or modified measures designed to correct problems identified.

### D.3.4 ESC MEASURES MODIFIED FOR SMALL SITES

**ESC for Small Sites.** This section presents **supplementary or modified ESC measures** for use on small sites (i.e., construction sites of projects disturbing less than 1 acre of land). General ESC measures can be found in Section D.2.1.

#### D.3.4.1 MARK CLEARING LIMITS/MINIMIZE CLEARING

##### Purpose

Minimizing clearing is the most effective method of erosion control. Undisturbed vegetation intercepts and slows rainwater. Plant roots hold soil in place, and dead vegetation on the ground acts as a mulch. Marking clearing limits around existing or proposed on-site BMP areas helps protect their infiltrative soil characteristics from construction activity.

##### Applications

Clearing limits shall be marked and clearing minimized on any *site* where significant areas of undisturbed vegetation will be retained, or where existing or proposed BMP/facility areas require protection from construction activities.

### Design Specifications

1. Minimizing clearing should be incorporated into the *site* design. Clearing limits must be marked on the small site ESC plan.
2. On the ground, clearing limits must be clearly marked with brightly colored tape or plastic or metal safety fencing. If tape is used, it should be supported by vegetation or stakes, and should be about 3 to 6 feet high and highly visible. BMP/facility areas to be protected should be marked with brightly colored silt fence to add sedimentation protection. Equipment operators should be informed of areas of vegetation that are to be left undisturbed and BMP/facility areas that are to be protected.
3. The duff layer, native top soil, and natural vegetation shall be retained in an undisturbed state to the maximum extent practicable. If it is not practicable to retain the duff layer in place, it should be stockpiled onsite, covered to prevent erosion, and replaced immediately upon completion of the ground disturbing activities.

### Maintenance

Fencing shall be inspected regularly and repaired or replaced as needed.

## D.3.4.2 DITCHES

### Purpose

Ditches intercept and convey runoff from disturbed areas to sediment control locations. They also convey runoff intercepted from undisturbed areas around the construction site to a non-erosive discharge point.

### Conditions of Use

Ditches may be used anywhere that concentrated runoff is to be conveyed on or around the construction site. Temporary pipe systems may also be used to convey runoff.

### Design and Installation Specifications

1. Up to 30,000 square feet may be drained by a 12-inch deep trapezoidal ditch with a 1-foot bottom width. Up to 2 acres may be drained by an 18-inch deep trapezoidal ditch with a 1-foot bottom width. Ditches draining larger areas will need to be sized by a *civil engineer*.
2. Ditch side slopes shall be no steeper than 2H:1V.
3. Ditches on 5% or steeper grades shall be armored with rip rap or contain crushed rock check dams spaced such that the crest of each dam is even with the toe of the next upstream dam. See Figure D.2.1.6.E for details on check dam installation.

### Maintenance Standards

1. Any sediment deposition of more than 0.5 feet shall be removed so that the channel is restored to its design capacity.
2. If the channel capacity is insufficient for the design flow, it must be determined whether the problem is local (e.g., a constriction or bend) or the channel is under-designed. If the problem is local, the channel capacity must be increased through construction of a berm(s) or by excavation. If the problem is under-design, the design engineer shall be notified and the channel redesigned to a more conservative standard to be approved by the City.
3. The channel shall be examined for signs of scouring and erosion of the bed and banks. If scouring or erosion has occurred, affected areas shall be protected by riprap or an erosion control blanket or net.

### D.3.4.3 PIPE SLOPE DRAIN

#### Purpose

Pipe slope drains are designed to carry concentrated runoff down steep slopes without causing erosion, or saturation of slide-prone soils. Pipe slope drains may be used to divert water away from or over bare soil to prevent gullies, channel erosion, and saturation of slide prone soils

#### Conditions of Use

Pipe slope drains should be used when a temporary or permanent stormwater conveyance is needed to move water down a steep slope to avoid erosion. Pipe slope drains may be:

1. Used on any slope with a gradient of 2H:1V or greater and with at least 10 feet of vertical relief.
2. Used to drain water collected from aquifers exposed on cut slopes and convey it to the base of the slope.
3. Used to collect clean runoff from plastic sheet cover and direct away from any exposed soils.
4. Installed in conjunction with silt fence to drain collected water to a controlled area.

#### Design and Installation Specifications

1. See Figure D.2.1.6.D for details.
2. Up to 30,000 square feet may be drained by each 6-inch minimum diameter pipe. Up to 2 acres may be drained by each 12-inch minimum diameter pipe.
3. The **maximum drainage area** allowed for any 12-inch pipe is 2 acres. For larger areas, more than one pipe shall be used.
4. The **soil** around and under the pipe and entrance section shall be thoroughly compacted.
5. The **flared inlet section** shall be securely connected to the slope drain and be fused or welded, or have flange-bolted mechanical joints to ensure a watertight seal. Ensure that the entrance area is stable and large enough to direct flow into the pipe.
6. Slope drains shall be continuously fused, welded, or flange-bolted mechanical joint pipe systems with proper anchoring to the soil.
7. Re-establish cover immediately on areas disturbed by the installation.

#### Maintenance Standards

1. The inlet shall not be undercut or bypassed by water. If there are problems, the head wall shall be appropriately reinforced.
2. No erosion shall occur at the outlet point. If erosion occurs, additional protection shall be added.

### D.3.5 CONTROL OF OTHER POLLUTANTS (SWPPS)

**SWPPS for Small Sites.** SWPPS measures **are not modified** for small sites; however, the scope and complexity may be lessened in accordance with the scope of the small site project. Construction activity shall not allow pollutant discharge to surface waters or water resources. The measures listed below provide summary guidance on typical issues and associated BMPs. See Section D.2.2 for additional SWPPS information and measures.

#### Purpose

To prevent the discharge of pollutants resulting from construction activities. The Small Site CSWPP plan is not complete if this section is not included in the planning and implementation of CSWPP for the Small Site project.

## Application

Pollution control measures shall be used whenever there is a potential for the discharge to ground or surface water of any pollutants used on the site.

## Pollution Control Measures

The following pollution control measures shall be implemented as applicable using activity-specific BMPs detailed in Section D.2.2 (and Section D.2.1 as applicable) of this appendix and the King County *SPPM* (listed Activity Sheets are viewable at <http://www.kingcounty.gov/environment/water-and-land/stormwater/documents/pollution-prevention-manual.aspx>):

1. All pollutants, including waste materials, that occur onsite shall be handled and disposed of in a manner that does not cause contamination of stormwater. See BMPs D.2.2.1 “Concrete Handling” on and D.2.2.4 “Material Delivery, Storage, and Containment” on of Section D.2.2 of this appendix and *SPPM* Activity Sheets A-8, A-11, A-12, A-16, A-17, A-22, A-29, A-38, and A-41.
2. Cover, containment, and protection from vandalism shall be provided for all chemicals, liquid products, petroleum products, and non-inert wastes present on the site (see Chapter 173-304 WAC for the definition of inert waste). Onsite fueling tanks shall include secondary containment. See BMP D.2.2.4 “Material Delivery, Storage, and Containment” in Section D.2.2 of this appendix and *SPPM* Activity Sheets A-2, A-3, A-4, A-6, A-8, and A-9.
3. Maintenance and repair of heavy equipment and vehicles involving oil changes, hydraulic system drain down, solvent and de-greasing cleaning operations, fuel tank drain down and removal, and other activities which may result in discharge or spillage of pollutants to the ground or into stormwater runoff must be conducted using spill prevention measures, such as drip pans. Contaminated surfaces shall be cleaned immediately following any discharge or spill incident. Emergency repairs may be performed onsite using temporary plastic placed beneath and, if raining, over the vehicle. See BMP D.2.2.4 “Material Delivery, Storage, and Containment” in Section D.2.2 of this appendix and *SPPM* Activity Sheets A-13, A-17, A-18 and A-48.
4. Application of agricultural chemicals, including fertilizers and pesticides, shall be conducted in a manner and at application rates that will not result in loss of chemical to stormwater runoff. Manufacturers’ recommendations for application rates and procedures shall be followed. See *SPPM* Activity Sheets A-5, A-25, and A-26.
5. Stormwater discharges shall not cause or contribute to a violation of the water quality standard for pH in the receiving water. Measures shall be used to prevent or treat contamination of stormwater runoff by pH modifying sources. These sources include, but are not limited to:
  - Bulk cement (see *SPPM* Activity Sheets A-19, and BMPs D.2.2.1 “Concrete Handling” and D.2.2.4 “Material Delivery, Storage, and Containment” in this appendix)
  - Cement kiln dust, fly ash (see *SPPM* Activity Sheet A-19, and BMPs D.2.2.1 “Concrete Handling” and D.2.2.9 “Use of High pH Soil Amendments on Construction Sites” in this appendix)
  - New concrete washing and curing waters (see BMPs D.2.2.5 through D.2.2.8 in this appendix for high pH treatment and wastewater disposal requirements)
  - Waste streams generated from concrete grinding and sawing (see *SPPM* Activity Sheets A-19, A-29, A-44 and BMP D.2.2.3 “Sawcutting and Surfacing Pollution Prevention” in this appendix)
  - Exposed aggregate processes, and concrete pumping and mixer washout waters (see *SPPM* Activity Sheets A-19, A-44 and BMPs D.2.2.2 “Concrete Washout Area” and D.2.2.1 “Concrete Handling”)

Also see Section D.2.1 of this appendix for ESC measures that will assist in containment of high pH runoff.

6. For full compliance with RMC 4-6-030 Drainage (Surface Water) Standards, the project may need to include measures for the permanent structures and features constructed under other permits. See the *SPPM* for Activity Sheets describing issues and measures to address them. Common issues include:
  - Containment area planning for storage of liquid materials in stationary or portable tanks, storage of solid waste and food wastes including cooking grease, and to avoid pollutant spills to surface waters. See *SPPM* Activity Sheets A-2, A-3, A-7, and A-8.
  - Permanent canopy and paving requirements for permanent outdoor vehicle parking, maintenance and storage areas, and manufacturing or processing associated with metal products. See *SPPM* BMP Information Sheets #3 and #4 and Activity Sheets A-21 and A-31.

## D.3.6 SMALL SITE CSWPP SUBMITTAL REQUIREMENTS

A *Small Site CSWPP Plan* must be submitted for all projects that are eligible to use the Small Site CSWPP requirements in this section. For projects in Simplified Drainage Review that disturb soil on less than 1 acre of land, this plan is part of the Simplified Drainage Plan described in the *Simplified Drainage Requirements* (Appendix C of the *SWDM*). For other projects, including those that may not be subject to drainage review, this plan would be submitted as directed by CED. Directions for preparing a Small Site CSWPP Plan are provided below, and a sample plan is presented in Section D.3.6.3.

### D.3.6.1 SMALL SITE CSWPP PLAN MAP

The Small Site CSWPP Plan includes information that is routinely collected for a **single family residence site plan or a short plat plot plan** already required to be submitted with a permit application. One copy of the site plan or plot plan shall be used to show how ESC and SWPPS measures are to be applied to the site to comply with the Small Site CSWPP requirements. The approximate location and size of clearing limits, rock construction entrance, flow paths, silt fences, etc., should be indicated on the Small Site CSWPP Plan. Any plan must contain at a minimum the features listed in Section D.3.6.2.

**Single family residential projects** that qualify for Small Site CSWPP requirements should use the Residential Site Plan (see CED Bulletin No. 9, “Obtaining a Residential Building Permit”) as the base map for the CSWPP plan.

**Proposed short plats** that qualify for Simplified Drainage Review should use the Simplified Drainage Plan (see *Simplified Drainage Requirements*, Appendix C of the *SWDM*) as a base plan for the CSWPP plan. All projects subject to Simplified Drainage Review are required to submit these plans and a drainage assessment. If engineering plans are required for a short plat application, they may be used as a base plan for Small Site CSWPP plans. How the ESC and SWPPS measures are to be applied on the site are added directly to the base map. For more complicated sites, an erosion control professional should be readily able to add Small Site CSWPP BMPs to the base map with minimal additional effort or expense.

The CSWPP plans for short plats usually apply only to the site development, since siting of homes on lots created by short plats is done after the short plat is approved (when the home applies for a residential building permit). It is the responsibility of the applicant for a proposed single family residence to show in detail how ESC and SWPPS requirements are met. The applicant is also required to comply with the King County *SPPM* and RMC 4-6-030.

### D.3.6.2 FEATURES REQUIRED ON SMALL SITE CSWPP PLANS

The Small Site CSWPP Plan should be drawn on 8-1/2" x 11", 8-1/2" x 14", or 11" x 17" paper (see the sample plan in Figure D.3.6.A), and must include the following information.

#### Identification

1. Name, address, and phone number of the applicant
2. Scale—use a scale that clearly illustrates drainage features and flow controls (1" = 20' is standard engineering scale; minimum acceptable scale is 1" = 50')

3. Parcel number
4. North arrow
5. Dimension of all property lines, easements, and building setback lines
6. Street names and existing or proposed property address
7. Section, township, and range of proposal.

### **Topography**

1. Corner elevations
2. Benchmark (a permanent mark indicating elevation and serving as a reference in the topographic survey)
3. Datum (assumed datum is acceptable in many cases, i.e., fire hydrant base = 100'; datum for projects in or near FEMA floodplains should be NGVD 1929 or NAVD 1988 per the appropriate FEMA flood mapping, as directed by the local authority)
4. If over 15% slope: 5-foot contours, top of slope, toe of slope, and any erosion or landslide areas.

### **Proposed ESC**

1. Delineation of proposed clearing limits
2. Type and location of erosion control facilities
3. Location of any significant offsite drainage features within 200 feet of the discharge point(s) for the lot, including streams, lakes, roadside ditches.

### **Proposed SWPPS**

1. Areas of designated contractor and equipment parking, fueling and equipment maintenance
2. Type and location of spill control, materials containment and concrete handling/washout facilities
3. Notes referencing BMPs in this appendix and/or in the *SPPM*.

### **Topography/Drainage Features**

1. Outline of any stream, wetland, lake, closed depression, or other water feature (including any required buffer width)
2. Location of all steep slopes, landslide hazard areas, and coal mine hazard areas (including buffers)
3. Location of all existing and proposed drainage easements, ditches, swales, pipes, etc.
4. Location of all critical areas as shown on any recorded critical areas notice on title.

## **D.3.6.3 SAMPLE SMALL SITE CSWPP PLAN**

**Proposed ESC.** All sites are required to control erosion and contain sediment. The planning and use of ESC measures will be illustrated for a single family residence. Although the specifics of any lot will differ from those shown here, the process will be similar. The first step in the process is to determine whether the site is eligible to use the Small Site ESC requirements. This evaluation and the following materials are usually included in the drainage assessment that accompanies the Small Site ESC Plan.

The proposed house is to be placed on an existing 1.69-acre lot (see Figure D.3.6.A). Impervious surfaces are the roof, a driveway, and a parking area. The total proposed impervious surface is 6,950 square feet as determined from the residential site plan layout of residence and driveway (the site plan provides the base map for the Small Site CSWPP Plan). The amount exceeds 2,000 square feet but falls below the 10,000-square-foot limit for Simplified Drainage Review. Therefore, a Small Site CSWPP Plan is applicable.

The proposal is not in a basin plan area or critical drainage area that might contain clearing limits. However, a portion of a wetland and an erosion hazard area have been identified on the site, and their approximate locations are shown in Figure D.3.6.A. While neither the wetland and its buffer, nor the erosion hazard area would be disturbed during construction, the locations of these critical areas must be verified.

Approximately the southern 2/3 of the site will be cleared. Trees and other native vegetation will be left intact along the northern edge, near the street. Buffers will be maintained around the wetland and erosion hazard areas, respectively. The site slopes towards the street.

In order to prevent erosion and to encourage sedimentation, the following ESC **BMPs** are used:

1. **Clearing will be minimized** to the extent possible, and **clearing limits will be marked** by fencing or other means on the ground.
2. Water will be **routed** around the erosion hazard area and around the steep section of the driveway by constructing an interceptor dike or ditch that will intersect and direct water away to the east of the site.
3. Water will be **filtered** before it reaches the wetland. Silt fencing or other perimeter protection will be placed along slope contours at the limits of clearing in the vicinity of both the wetland and the erosion hazard area.
4. A rock construction entrance will be placed at the end of the driveway.
5. **Mulch** will be spread over all cleared areas of the site when they are not being worked. Mulch will consist of air-dried straw and chipped site vegetation. Other cover methods that prevent erosion may also be installed.

The BMPs shown in Figure D.3.6.A must be installed as clearing progresses. For example, the rock construction entrance must be installed as soon as the path for the driveway has been cleared. Additional ESC measures must be installed if the ones proposed above prove insufficient.

**Proposed SWPPS.** Although the footprints of the proposed house and driveway are not shown in this example, the project description suggests typical house building materials and concrete foundation/driveway construction. In order to prevent pollutants from entering water resources and groundwater, the following SWPPS **BMPs** would be used:

1. Designated parking for contractors and spill containment if equipment will be left onsite (reference *SPPM* Activity Sheet A-31 on the Small Site CSWPP plan).
2. Concrete handling/washout containment area (indicate location) and description/detail (reference BMPs D.2.2.1 “Concrete Handling” and D.2.2.2 “Concrete Washout Area” from this appendix on the Small Site CSWPP plan).



**FIGURE D.3.6.A SAMPLE SMALL SITE CSWPP PLAN**

**LEGEND:**

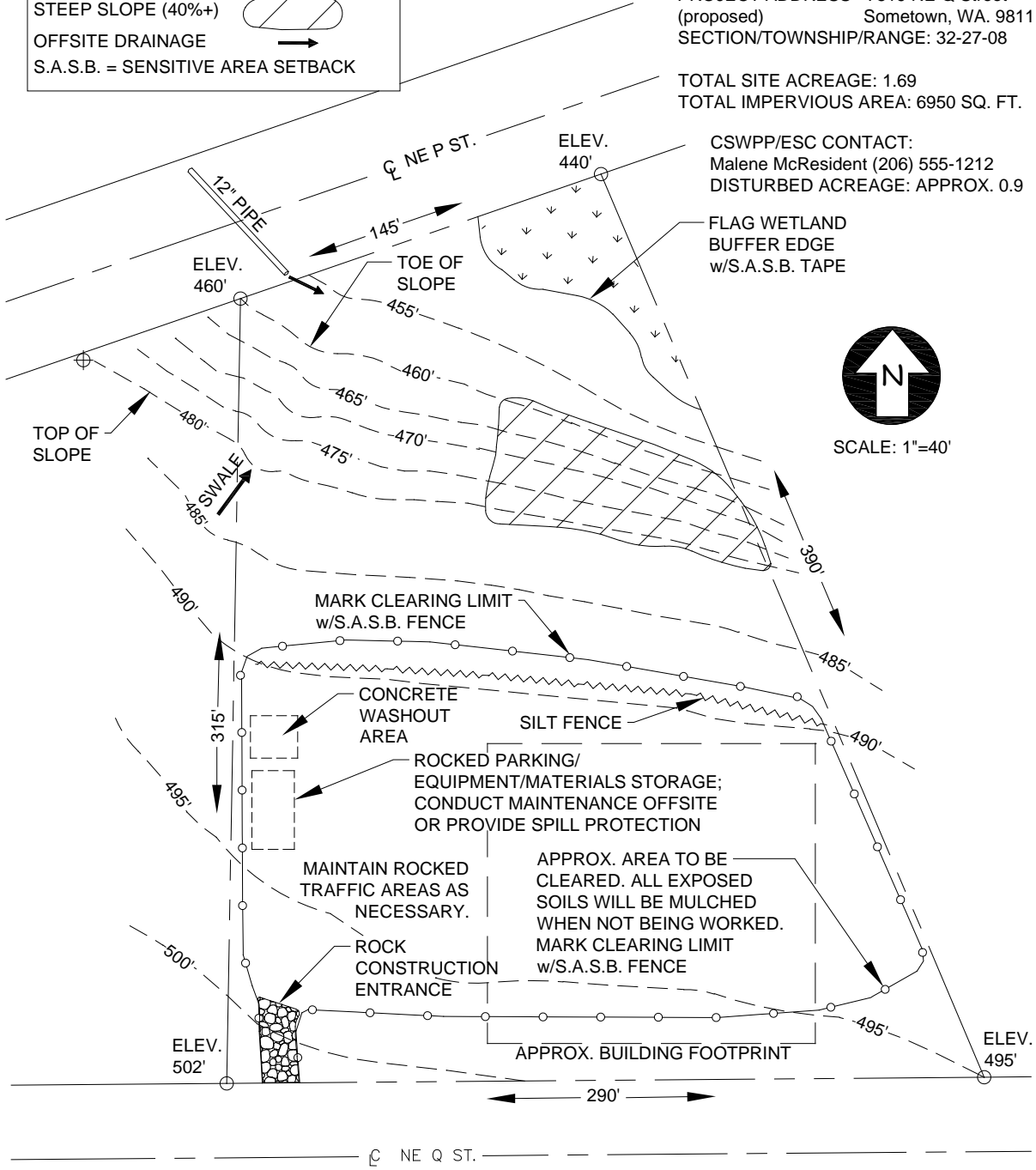
PROPERTY LINE	---
ST. CENTERLINE	---
CONTOUR	---
WETLAND	
STEEP SLOPE (40%+)	
OFFSITE DRAINAGE	
S.A.S.B. = SENSITIVE AREA SETBACK	

APPLICANT: Malene McResident  
 600 NE Z Street  
 Sometown, WA. 98111  
 (206) 555-1212

PROJECT PARCEL NO.= 322708  
 PROJECT ADDRESS= 7519 NE Q Street  
 (proposed) Sometown, WA. 98111  
 SECTION/TOWNSHIP/RANGE: 32-27-08

TOTAL SITE ACREAGE: 1.69  
 TOTAL IMPERVIOUS AREA: 6950 SQ. FT.

CSWPP/ESC CONTACT:  
 Malene McResident (206) 555-1212  
 DISTURBED ACREAGE: APPROX. 0.9



*(This page intentionally left blank.)*

## **D.4 REFERENCE SECTION**

This reference section provides materials useful in developing erosion and sediment control plans and for effectively implementing erosion control measures in the field.

### **D.4.1 STANDARD ESC PLAN NOTES**

The **standard ESC plan notes** included in Reference Section 7-B must be included on all ESC plans.

### **D.4.2 RECOMMENDED CONSTRUCTION SEQUENCE**

A detailed construction sequence is needed to ensure that erosion and sediment control measures are applied at the appropriate times. A recommended construction sequence is provided in Reference Section 7-B.

### D.4.3 ESC AND SWPPS MAINTENANCE REPORTS

CED may require a written record of all maintenance activities to be kept to demonstrate compliance with the Maintenance Requirements (Section D.2.4.4). A standard ESC Maintenance Report is provided on the next page and typical SWPPS Maintenance Reports follow. Copies of the ESC and SWPPS Maintenance Reports must be kept on site throughout the duration of construction.

#### ESC MAINTENANCE REPORT

Performed By: \_\_\_\_\_  
 Date: \_\_\_\_\_  
 Project Name: \_\_\_\_\_  
 CED Permit #: \_\_\_\_\_

**Clearing Limits**

Damage OK \_\_\_\_\_ Problem \_\_\_\_\_  
 Visible OK \_\_\_\_\_ Problem \_\_\_\_\_  
 Intrusions OK \_\_\_\_\_ Problem \_\_\_\_\_  
 Other OK \_\_\_\_\_ Problem \_\_\_\_\_

**Mulch**

Rills/Gullies OK \_\_\_\_\_ Problem \_\_\_\_\_  
 Thickness OK \_\_\_\_\_ Problem \_\_\_\_\_  
 Other OK \_\_\_\_\_ Problem \_\_\_\_\_

**Nets/Blankets**

Rills/Gullies OK \_\_\_\_\_ Problem \_\_\_\_\_  
 Ground Contact OK \_\_\_\_\_ Problem \_\_\_\_\_  
 Other OK \_\_\_\_\_ Problem \_\_\_\_\_

**Plastic**

Tears/Gaps OK \_\_\_\_\_ Problem \_\_\_\_\_  
 Other OK \_\_\_\_\_ Problem \_\_\_\_\_

**Seeding**

Percent Cover OK \_\_\_\_\_ Problem \_\_\_\_\_  
 Rills/Gullies OK \_\_\_\_\_ Problem \_\_\_\_\_  
 Mulch OK \_\_\_\_\_ Problem \_\_\_\_\_  
 Other OK \_\_\_\_\_ Problem \_\_\_\_\_

**Sodding**

Grass Health OK \_\_\_\_\_ Problem \_\_\_\_\_  
 Rills/Gullies OK \_\_\_\_\_ Problem \_\_\_\_\_  
 Other OK \_\_\_\_\_ Problem \_\_\_\_\_

**Perimeter Protection Including Silt Fence**

Damage OK \_\_\_\_\_ Problem \_\_\_\_\_  
 Sediment Build-up OK \_\_\_\_\_ Problem \_\_\_\_\_  
 Concentrated Flow OK \_\_\_\_\_ Problem \_\_\_\_\_  
 Other OK \_\_\_\_\_ Problem \_\_\_\_\_

**BMP/Facility Protection**

Damage OK \_\_\_\_\_ Problem \_\_\_\_\_  
 Sedimentation OK \_\_\_\_\_ Problem \_\_\_\_\_  
 Concentrated Flow OK \_\_\_\_\_ Problem \_\_\_\_\_  
 Rills/Gullies OK \_\_\_\_\_ Problem \_\_\_\_\_  
 Intrusions OK \_\_\_\_\_ Problem \_\_\_\_\_  
 Other OK \_\_\_\_\_ Problem \_\_\_\_\_

**Brush Barrier**

Damage OK \_\_\_\_\_ Problem \_\_\_\_\_  
 Sediment Build-up OK \_\_\_\_\_ Problem \_\_\_\_\_  
 Concentrated Flow OK \_\_\_\_\_ Problem \_\_\_\_\_  
 Other OK \_\_\_\_\_ Problem \_\_\_\_\_

**Vegetated Strip**

Damage OK\_\_\_\_\_ Problem\_\_\_\_\_

Sediment Build-up OK\_\_\_\_\_ Problem\_\_\_\_\_

Concentrated Flow OK\_\_\_\_\_ Problem\_\_\_\_\_

Other OK\_\_\_\_\_ Problem\_\_\_\_\_

**Construction Entrance**

Dimensions OK\_\_\_\_\_ Problem\_\_\_\_\_

Sediment Tracking OK\_\_\_\_\_ Problem\_\_\_\_\_

Vehicle Avoidance OK\_\_\_\_\_ Problem\_\_\_\_\_

Other OK\_\_\_\_\_ Problem\_\_\_\_\_

**Wheel Wash**

Dimensions OK\_\_\_\_\_ Problem\_\_\_\_\_

Sed buildup or tracking OK\_\_\_\_\_ Problem\_\_\_\_\_

Other OK\_\_\_\_\_ Problem\_\_\_\_\_

**Construction Road**

Stable Driving Surf. OK\_\_\_\_\_ Problem\_\_\_\_\_

Vehicle Avoidance OK\_\_\_\_\_ Problem\_\_\_\_\_

Other OK\_\_\_\_\_ Problem\_\_\_\_\_

**Sediment Trap/Pond**

Sed. Accumulation OK\_\_\_\_\_ Problem\_\_\_\_\_

Overtopping OK\_\_\_\_\_ Problem\_\_\_\_\_

Inlet/Outlet Erosion OK\_\_\_\_\_ Problem\_\_\_\_\_

Other OK\_\_\_\_\_ Problem\_\_\_\_\_

**Catch Basin/Inlet Protection**

Sed. Accumulation OK\_\_\_\_\_ Problem\_\_\_\_\_

Damage OK\_\_\_\_\_ Problem\_\_\_\_\_

Clogged Filter OK\_\_\_\_\_ Problem\_\_\_\_\_

Other OK\_\_\_\_\_ Problem\_\_\_\_\_

**Interceptor Dike/Swale**

Damage OK\_\_\_\_\_ Problem\_\_\_\_\_

Sed. Accumulation OK\_\_\_\_\_ Problem\_\_\_\_\_

Overtopping OK\_\_\_\_\_ Problem\_\_\_\_\_

Other OK\_\_\_\_\_ Problem\_\_\_\_\_

**Pipe Slope Drain**

Damage OK\_\_\_\_\_ Problem\_\_\_\_\_

Inlet/Outlet OK\_\_\_\_\_ Problem\_\_\_\_\_

Secure Fittings OK\_\_\_\_\_ Problem\_\_\_\_\_

Other OK\_\_\_\_\_ Problem\_\_\_\_\_

**Ditches**

Damage OK\_\_\_\_\_ Problem\_\_\_\_\_

Sed. Accumulation OK\_\_\_\_\_ Problem\_\_\_\_\_

Overtopping OK\_\_\_\_\_ Problem\_\_\_\_\_

Other OK\_\_\_\_\_ Problem\_\_\_\_\_

**Outlet Protection**

Scour OK\_\_\_\_\_ Problem\_\_\_\_\_

Other OK\_\_\_\_\_ Problem\_\_\_\_\_

**Level Spreader**

Damage OK\_\_\_\_\_ Problem\_\_\_\_\_

Concentrated Flow OK\_\_\_\_\_ Problem\_\_\_\_\_

Rills/Gullies OK\_\_\_\_\_ Problem\_\_\_\_\_

Sed. Accumulation OK\_\_\_\_\_ Problem\_\_\_\_\_

Other OK\_\_\_\_\_ Problem\_\_\_\_\_

**Dewatering Controls**

Sediment OK\_\_\_\_\_ Problem\_\_\_\_\_

**Dust Control**

Palliative applied OK\_\_\_\_\_ Problem\_\_\_\_\_

**Miscellaneous**

Wet Season Stockpile	OK _____	Problem _____
Other	OK _____	Problem _____

**Comments:**

---

---

---

**Actions Taken:**

---

---

---

**Problems Unresolved:**

---

---

---

<b>Pollution Prevention Team</b>	<b>Completed by:</b> _____ <b>Title:</b> _____ <b>Date:</b> _____
Responsible Official: _____ Team Leader: _____  Responsibilities: _____ _____ _____	Title: _____ Office Phone: _____ Cell Phone #: _____
(1) _____  Responsibilities: _____ _____ _____	Title: _____ Office Phone: _____ Cell Phone #: _____
(2) _____  Responsibilities: _____ _____ _____	Title: _____ Office Phone: _____ Cell Phone #: _____

<b>Employee Training</b>		Completed by: _____	
		Title: _____	
		Date: _____	
Describe the annual training of employees on the SWPPP, addressing spill response, good housekeeping, and material management practices.			
Training Topics	Brief Description of Training Program/Materials (e.g., film, newsletter course)	Schedule for Training (list dates)	Attendees
<b>1.) LINE WORKERS</b>			
Spill Prevention and Response			
Good Housekeeping			
Material Management Practices			
<b>2.) P2 TEAM:</b>			
SWPPP Implementation			
Monitoring Procedures			



<b>List of Significant Spills and Leaks</b>	Completed by: _____ Title: _____ Date: _____
---	--

List all spills and leaks of toxic or hazardous pollutants that were significant but are not limited to, release of oil or hazardous substances in excess of reportable quantities. Although not required, we suggest you list spills and leaks of non-hazardous materials.

Date (month/day/ year)	Location (as indicated on site map)	Description				Response Procedure		Preventive Measure Taken
		Type of Material	Quantity	Source, If Known	Reason for Spill/Leak	Amount of Material Recovered	Material No longer exposed to Stormwater (Yes/No)	



<b>Material Inventory</b>		Completed by: _____						
		Title: _____						
		Date: _____						
List materials handled, treated, stored, or disposed of at the project site that may potentially be exposed to precipitation or runoff.								
Material	Purpose/Location	Quantity (Units)				Likelihood of contact with stormwater If Yes, describe reason	Past Spill or Leak	
		Used	Produced	Stored			Yes	No
		(indicate per week or year)						

*(This page intentionally left blank)*

---

**CITY OF RENTON**  
**SURFACE WATER DESIGN MANUAL**

---

**REFERENCE 1**

**SURFACE WATER RUNOFF POLICY**

See Renton Municipal Code (RMC) Section 4-6-030

<<http://www.codepublishing.com/WA/Renton/>>

---

**REFERENCE 2**

**ADOPTED CRITICAL DRAINAGE AREAS**

Does not apply to the City.

---

**REFERENCE 3**

**OTHER ADOPTED AREA SPECIFIC DRAINAGE  
REQUIREMENTS**

Does not apply to the City.

---

**REFERENCE 4**

**OTHER DRAINAGE RELATED REGULATIONS AND  
GUIDELINES**

**4-A GRADING CODE SOIL AMENDMENT STANDARD**

See Soil Amendment BMP in Appendix C of the City of Renton Surface Water Design Manual

**4-B CLEARING AND GRADING SEASONAL LIMITATIONS**

See RMC Section 4-4-060

<<http://www.codepublishing.com/WA/Renton/>>.

**4-C LANDSCAPE MANAGEMENT PLAN GUIDELINES**

Does not apply to the City.

---

---

**4-D SHARED FACILITY MAINTENANCE RESPONSIBILITY  
GUIDANCE**

Does not apply to the City.

---

---

**CITY OF RENTON**  
**SURFACE WATER DESIGN MANUAL**

---

**REFERENCE 5**

**WETLAND HYDROLOGY PROTECTION  
GUIDELINES**

**ECOLOGY Guide Sheets 1 and 2:** Stormwater Wetland Assessment Criteria

**ECOLOGY Guide Sheets 3a, 3b and 3c:**  
Wetland Protection Guidelines (Volumetric Analysis)

**KING COUNTY ALTERNATIVE Guidelines** for Protection from Adverse  
Impacts of Modified Runoff Quantity Discharged to Wetlands (Water Level  
Fluctuation Analysis)

---

*(This page intentionally left blank.)*



# REFERENCE 5

## WETLAND HYDROLOGY PROTECTION GUIDELINES

These criteria and guidelines shall be applied when considering natural wetlands for structural or hydrologic modification for runoff quantity/quality control, or for impacts from upstream development.

*Guide Sheets 1 and 2* and *Information Needed to Apply the Guidelines*, provided by WA Ecology and included here, describe criteria that would disqualify a natural wetland for modification, and conditions and limitations for those that would qualify for modification. *Guide Sheets 3a, 3b and 3c*, also provided by Ecology, describe methodology for a runoff volume analysis approach. The alternative approach, which appeared in the 2009 edition of the *King County Surface Water Design Manual* and was continued in the 2016 edition of the *King County Surface Water Design Manual*, describes the methodology for analysis based on water level fluctuations.

The selection of the appropriate approach to use will be determined on a case-by-case basis by CED review staff.

## INFORMATION NEEDED TO APPLY THE GUIDELINES

*Excerpted from Ecology's Stormwater Management Manual for Western Washington 2014, Volume I – Minimum Technical Requirements, p. D-15.*

Each guide sheet requires collecting specific information. The following sections list the basic data needed for applying the Guide Sheets. As a start, obtain the relevant soil survey; the National Wetland Inventory for the watershed, topographic and land use maps, and the results of any local wetland inventory.

### DATA NEEDED FOR GUIDE SHEET 1: CRITERIA FOR EXCLUDING WETLANDS AS PART OF A STORMWATER SYSTEM

1. Wetland category Ecology's "Washington State Wetland Rating System for Western Washington," available on-line at <<http://www.ecy.wa.gov/programs/sea/wetlands/ratingsystems/index.html>>.
2. Rare, threatened, or endangered species inhabiting the wetland.
3. Presence or absence of a breeding population of native amphibians. If amphibians are found in the wetland assume they are native unless you can demonstrate the only species present are nonnative.

### DATA NEEDED FOR GUIDE SHEET 2: CRITERIA FOR INCLUDING WETLANDS AS PART OF A STORMWATER SYSTEM

1. Hydrologic modeling of the existing flows and predicted flows into the wetland.
2. A characterization of the changes to water quality coming into the wetland from the development.
3. Presence of breeding populations of native amphibian species.
4. Presence of fish species.

## **DATA NEEDED FOR GUIDE SHEET 3B: PROTECTING WETLANDS FROM IMPACTS OF CHANGES IN WATER FLOWS**

The WWHM user manual will have a modeling procedure for estimating water flows to wetlands<sup>1</sup>. Follow the modeling procedure in WWHM user manual to estimate flows and determine compliance with the wetland Criteria 1 and 2. The information needed to model water flows to a wetland in WWHM includes the following:

1. Location of the development project
4. Land use characteristics before and after development.
  - a) Soil Type
  - b) Surface Vegetation
  - c) Land slope
  - d) Land area (acres)
5. Land use characteristics between the development project area and the wetland.

---

<sup>1</sup> Refer to MGS Flood user's guide for modeling procedure with the MGS Flood software program

## GUIDE SHEETS 1 AND 2: STORMWATER WETLAND ASSESSMENT CRITERIA

*Excerpted from Ecology's Stormwater Management Manual for Western Washington 2014, Volume I – Minimum Technical Requirements, pp. D3–D4*

### **Guide Sheet 1: Criteria that excludes wetlands from serving as a treatment, flow control, and/or an on-site BMP/facility**

The following types of wetlands are not suitable as a treatment, flow control, and/or on-site BMPs/facilities. Engineering structural or hydrologic changes within the wetland itself to improve stormwater flows and water quality are not allowed. Do not increase or decrease the water regime in these wetlands beyond the limits set in Guide Sheet 3. Provide these wetlands with the maximum protection from urban impacts (see Guide Sheet 3, Wetland Protection Guidelines):

1. The wetland is currently a Category I wetland because of special conditions (forested, bog, estuarine, Natural Heritage, coastal lagoon).
2. The wetland provides a high level of many functions. These are Category I and II wetlands as determined by the Washington State Wetland Rating System of Western Washington.
3. The wetland provides habitat for threatened or endangered species. Determining whether or not the conserved species will be affected by the proposed project requires a careful analysis in relation to the anticipated habitat changes. Consult with the appropriate agencies with jurisdiction over the specific threatened or endangered species on the site.

**If a wetland type listed above needs to be included in a stormwater system then this activity is considered an impact. It will be treated as any other impact, and will need to be mitigated according to the rules for wetland mitigation. Project proponents will have to demonstrate that they have done everything to avoid and minimize impacts before proceeding to compensatory mitigation.**

The wetlands listed above cannot receive flows from a stormwater system unless the criteria in Guide Sheets 3B and 3C are met.

### **Guide Sheet 2: Criteria for including wetlands as a treatment, flow control, and/or on-site BMP/facility**

A wetland can be physically or hydrologically altered to meet the requirements of a treatment, flow control, and/or on-site BMP/facility if ALL of the following criteria are met:

**Modifications that alter the structure of a wetland or its soils will require permits. Existing functions and values that are lost would have to be compensated/replaced.**

1. It is classified in Category IV in the “Washington State Wetland Rating System of Western Washington,” or a Category III wetland with a habitat score of 19 points or less.
2. You can demonstrate that there will be “no net loss” of functions and values of the wetland as a result of the structural or hydrologic modifications done to provide control of runoff and water quality. This includes the impacts from the machinery used for the construction. Heavy equipment can often damage the soil structure of a wetland. However, the functions and values of degraded wetlands may sometimes be increased by such alterations and thus would be self-mitigating. Functions and values that are not replaced on site will have to be mitigated elsewhere.
  - a) Modifications that alter the structure of a wetland or its soils will require permits. Check with the agency(ies) issuing the permits for the modification(s) to determine which method to use to establish “no net loss.”
  - b) A wetland will usually sustain fewer impacts if the required storage capacity can be met through a modification of the outlet rather than through raising the existing overflow.
3. The wetland does not contain a breeding population of any native amphibian species.

4. The hydrologic functions of the wetland can be improved as outlined in questions 3, 4, and 5 of Chart 4 and questions 2, 3, and 4 of Chart 5 in the “Guide for Selecting Mitigation Sites Using a Watershed Approach,” (available here: <<http://www.ecy.wa.gov/biblio/0906032.html>>); or the wetland is part of a priority restoration plan that achieves restoration goals identified in a Shoreline Master Program or other local or regional watershed plan.
5. The wetland lies in the natural routing of the runoff, and the discharge follows the natural routing.

## GUIDE SHEET 3: WETLAND PROTECTION GUIDELINES (VOLUMETRIC ANALYSIS)

*Excerpted from Ecology's Stormwater Management Manual for Western Washington 2014, Volume I – Minimum Technical Requirements pp. D4–D9*

This guide sheet provides information on ways to protect wetlands from changes to their ecological structure and functions that result from human alterations of the landscape. It also recommends management actions that can avoid or minimize deleterious changes to wetlands.

Although, this guide sheet is intended primarily for the protection of the wetlands listed in Guide Sheet 1; this guidance still should be applied, as practical, for wetlands listed in Guide Sheet 2 when they are modified to meet stormwater requirements.

### **Guide Sheet 3A: General guidelines for protecting functions and values of wetlands**

1. Consult regulations issued under federal and state laws that govern the discharge of pollutants. Wetlands are classified as “Waters of the United States” and “Waters of the State” in Washington.
6. Maintain the wetland buffer required by local regulations.
7. Retain areas of native vegetation connecting the wetland and its buffer with nearby wetlands and other contiguous areas of native vegetation.
8. Avoid compaction of soil and introduction of exotic plant species during any work in a wetland.
9. Take measures to avoid general urban impacts (e. g., littering and vegetation destruction). Examples are protecting existing buffer zones; discouraging access, especially by vehicles, by plantings outside the wetland; and encouragement of stewardship by a homeowners' association.
10. Fences can be useful to restrict dogs and pedestrian access, but they also interfere with wildlife movements. Their use should be very carefully evaluated on the basis of the relative importance of intrusive impacts versus wildlife presence. Fences should generally not be installed when wildlife would be restricted and intrusion is relatively minor. They generally should be used when wildlife passage is not a major issue and the potential for intrusive impacts is high. When wildlife movements and intrusion are both issues, the circumstances will have to be weighed to make a decision about fencing.
11. If the wetland inlet will be modified for the stormwater management project, use a diffuse flow method (e.g., a level spreader swale per SWDM Section 6.2.6, or downspout dispersion systems per SWDM Appendix C, Section C.2.1) to discharge water into the wetland in order to prevent flow channelization.

### **Guide Sheet 3B: Protecting wetlands from impacts of changes in water flows**

Protecting wetland plant and animal communities depends on maintaining the existing wetland's hydroperiod. This means maintaining the annual fluctuations in water depth and its timing as closely as possible. The risk of impacts to functions and values increases as the changes in water regime deviate more from the existing conditions. These changes often result from development.

Hydrologic modeling is useful to measure or estimate the aspects of the hydroperiod under existing pre-project and anticipated post-project conditions. Post-project estimates of the water regime in a watershed and wetland hydroperiod must include the cumulative effect of all anticipated watershed and wetland modifications. Perform this assessment with the aid of a qualified hydrologist.

*Provisions in these guidelines pertain to the full anticipated build-out of the wetland's watershed as well as changes resulting from an individual development.*

Unfortunately, attempts to modify and use the standard hydrologic models for describing the flow and fluctuations of water in a stormwater pond have failed to adequately model the hydrodynamics in

wetlands. It is difficult, to estimate if stormwater discharges to a wetland will meet the criteria for protection developed by the Puget Sound Wetland and Stormwater Research Program. The criteria developed by that program apply only to depressional wetlands. They are not applicable to riverine, slope, or lake-fringe wetlands. Ecology does not have any hydrologic models available to characterize the hydrodynamics in these types of wetlands.

As a result, it is difficult to predict the direct impacts of changes in water flows resulting from a development. In the absence of hydrologic models that characterize all types of wetlands, criteria have to be set using information that is readily available. These criteria are based on risk to the resource rather than an actual understanding of impacts.

The following criteria will provide some protection for the valuable wetland types listed in Guide Sheet 1, but we cannot determine if they result in the complete protection of a wetland's functions and values. The risk to wetland functions will increase as the water volumes into the wetland diverge from the pre-project conditions. The risk will be decreased if the divergence is smaller.

Use the Western Washington Hydrology Model (WWHM), or other models approved by Ecology, for estimating the increases or decreases in total flows (volume) into a wetland that can result from the development project. These total flows can be modeled for individual days or on a monthly basis. Compare the results from this modeling to the criterion below. WWHM 2012 will have the capability to compare these results with the criterion.

**Criterion 1: Total volume of water into a wetland during a single precipitation event should not be more than 20% higher or lower than the pre-project volumes.**

**Modeling algorithm for Criterion 1**

1. Daily Volumes can be calculated for each day over 50 years for Pre- and Post-project scenarios. Volumes are to be calculated at the inflow to the wetland or the upslope edge where surface runoff, interflow, and groundwater are assumed to enter.
12. Calculate the average of Daily Volume for each day for Pre- and Post-project scenarios. There will be 365 values for the Pre-project scenario and 365 for the Post-project.

**Example calculation for each day in a year (e.g., April 1):**

- If you use 50 years of precipitation data, there will be 50 values for April 1. Calculate the average of the 50, April 1, Daily Volumes for Pre- and Post-project scenarios.
  - Compare the average Daily Volumes for Pre- versus Post-project scenarios for each day. The average Post-project Daily Volume for April 1 must be within +/- 20% of the Pre-project Daily Volume for April 1.
13. Check compliance with the 20% criterion for each day of year. Criterion 1 is met/passed if none of the 365 post-project daily volumes varies by more than 20% from the pre-project daily volume for that day.

**Criterion 2: Total volume of water into a wetland on a monthly basis should not be more than 15% higher or lower than the pre-project volumes.** This needs to be calculated based on the average precipitation for each month of the year. This criterion is especially important for the summer months when a development may reduce the monthly flows rather than increase them because of reduced infiltration and recharging of ground water.

**Modeling algorithm for Criterion 2**

1. Monthly Volumes can be calculated for each calendar month over 50 years for Pre- and Post-project scenarios. Volumes are to be calculated at the inflow to the wetland or the upslope edge where surface runoff, interflow, and groundwater are assumed to enter.
2. Calculate the average of Monthly Volume for each calendar month for Pre- and Post-project scenarios.

**Example calculation for each calendar month in a year (e.g., April):**

- If you use 50 years of precipitation data, there will be 50 values for the month of April. Calculate the average of the 50, April, Monthly Volumes for Pre- and Post-project scenarios.
  - Compare the Monthly Volumes for Pre- versus Post-project scenarios. Post- project Monthly Volume for April must be within +/- 15% of the Pre- project Monthly Volume for April.
14. Check compliance with the 15% criterion for each calendar month of year. Criterion 2 is met/passed if none of the post-project Monthly Volume varies by more than 15% from the pre-project Monthly Volume for every month.

### **WWHM Modeling Assumption and Approach**

**Assumption** – Flow components feeding the wetland under both Pre- and Post-project scenarios are assumed to be the sum of the surface, interflow, and ground water flows from the project site.

**Approach** – Assign the wetland a point of compliance #1 (POC) number such as POC1 downstream of the project area.

- **Pre-project scenario** – Connect all flow components to the wetland/POC1
  - **Pre-project Total Flows to POC1 = Surface + Interflow + Ground water**
- **Post-project scenario** – Identify flows to the wetland/POC1.
  - a) Impervious surfaces send flows to wetland via (1) surface flow.
    - WWHM sub-flows to POC1 = Surface flow (+ Interflow default set in WWHM)
  - b) Pervious surfaces send flows to wetland via (1) surface, (2) interflow, and (3) ground.
    - WWHM sub-flows to POC1 = Surface + Interflow + Groundwater
  - c) Infiltrating facilities send flows to wetland via groundwater and surface overflows.
    - (1) **Groundwater** – Connect infiltrated water (Outlet 2) to groundwater component of the area between facility and wetland. Use Lateral Basin downstream of the infiltrating facility and connect Outlet 2 to the groundwater component of the Lateral Basin. If this area is the same area modeled in Step (b) above, use the Lateral Basin element in Step (b).
      - WWHM sub-flows to POC1 = infiltrated flows
    - (2) **Surface Overflow** – Connect the surface flow (Outlet 1) to wetland/POC1
      - WWHM sub-flows to POC1 = facility surface flows (Outlet 1)
  - **Post-project Total Flows to POC1 = Sum of flows in (a), (b), and (c).**

If it is expected that the limits stated above could be exceeded, consider the following strategies to reduce the volume of surface flows:

- Reducing of the level of development by reducing the amount of impervious surface and/or increasing the retention of natural forest cover.
- Increasing infiltration through the use of LID BMPs and LID principles.
- Increasing storage capacity for surface runoff.
- Using selective runoff bypass around the wetland. Bypassed flow must still comply with other applicable stormwater requirements.

**Monitoring** – Modifications that alter the structure of a wetland or its soils will require permits. Conduct monitoring as required by local, state, or federal permits.

**Guide Sheet 3C: Guidelines for protecting wetlands from pollutants**

Protecting a wetland from pollutants generated by a development should include the following measures:

1. Use effective erosion control at construction sites in the wetland's drainage catchment. Refer to *SWDM Appendix D*.
2. Institute a program of source control BMPs and minimize the pollutants that will enter storm runoff that drains to the wetland.
3. For wetlands that meet the criteria in Guide Sheet 1, provide a water quality facility to treat runoff entering the wetland.

If the wetland is a Category I wetland because of special conditions (forested, bog, estuarine, Natural Heritage, coastal lagoon), the facility should include advanced ability to control nutrients.



## GUIDELINES FOR PROTECTION FROM ADVERSE IMPACTS OF MODIFIED RUNOFF QUANTITY DISCHARGED TO WETLANDS<sup>2</sup> (WATER LEVEL FLUCTUATION ANALYSIS)

1. Protection of wetland plant and animal communities depends on controlling the wetland's **hydroperiod**, meaning the pattern of fluctuation of water depth and the frequency and duration of exceeding certain levels, including the length and onset of drying in the summer. A hydrologic assessment is useful to measure or estimate elements of the hydroperiod under existing **pre-development** and anticipated **postdevelopment** conditions. This assessment should be performed with the aid of a qualified hydrologist. Post-development estimates of watershed hydrology and wetland hydroperiod must include the cumulative effect of all anticipated watershed and wetland modifications. Provisions in these guidelines pertain to the full anticipated build-out of the wetland's watershed.

This analysis hypothesizes a fluctuating water stage over time before development that could fluctuate more, both higher and lower after development; these greater fluctuations are termed **stage excursions**. The guidelines set limits on the frequency and duration of excursions, as well as on overall water level fluctuation, after development. To determine existing hydroperiod use one of the following methods, listed in order of preference:

- *Estimation by a continuous simulation computer model* – The model should be calibrated with at least one year of data taken using a continuously recording level gage under existing conditions and should be run for the historical rainfall period. The resulting data can be used to express the magnitudes of depth fluctuation, as well as the frequencies and durations of surpassing given depths. [Note: Modeling that yields high quality information of the type needed for wetland hydroperiod analysis is a complex subject. Providing guidance on selecting and applying modeling options is beyond the scope of these guidelines but is being developed by King County Surface Water Management Division and other local jurisdictions. An alternative possibility to modeling depths, frequencies, and durations within the wetland is to model durations above given discharge levels entering the wetland over various time periods (e. g., seasonal, monthly, weekly). This option requires further development.]
- *Measurement during a series of time intervals* (no longer than one month in length) over a period of at least one year of the maximum water stage, using a crest stage gage, and instantaneous water stage, using a staff gage – The resulting data can be used to express water level fluctuation (WLF) during the interval as follows:

Average base stage = (Instantaneous stage at beginning of interval + Instantaneous stage at end of interval)/2

WLF = Crest stage - Average base stage

Compute mean annual and mean monthly WLF as the arithmetic averages for each year and month for which data are available.

To forecast future hydroperiod use one of the following methods, listed in order of preference:

- Estimation by the continuous simulation computer model calibrated during pre-development analysis and run for the historical rainfall period — The resulting data can be used to express the magnitudes of depth fluctuation, as well as the frequencies and durations of surpassing given depths. [Note: Post-development modeling results should generally be compared with predevelopment modeling results, rather than directly with field measurements, because different

<sup>2</sup> Excerpted from 2001 WA Ecology *Stormwater Manual for Western Washington (SWMMWW)*, *Guide Sheet 2B: Guidelines for Protection from Adverse Impacts of Modified Runoff Quantity Discharged to Wetlands*, These guidelines are replaced by *Guide Sheet 3* in WA Ecology's 2014 edition of the *SWMMWW*, but are retained for the City of Renton *Surface Water Design Manual* as an appropriate and possibly more stringent alternative for achieving wetland protection goals.

sets of assumptions underlie modeling and monitoring. Making pre- and post-development comparisons on the basis of common assumptions allows cancellation of errors inherent in the assumptions.]

- Estimation according to general relationships developed from the Puget Sound Wetlands and Stormwater Management Program Research Program, as follows (in part adapted from Chin 1996):
  - Mean annual WLF is very likely (100% of cases measured) to be < 20 cm (8 inches or 0.7 ft) if total impervious area (TIA) cover in the watershed is < 6% (roughly corresponding to no more than 15% of the watershed converted to urban land use).
  - Mean annual WLF is very likely (89% of cases measured) to be > 20 cm if TIA in the watershed is > 21% (roughly corresponding to more than 30% of the watershed converted to urban land use).
  - Mean annual WLF is somewhat likely (50% of cases measured) to be > 30 cm (1.0 ft) if TIA in the watershed is > 21% (roughly corresponding to more than 30% of the watershed converted to urban land use).
  - Mean annual WLF is likely (75% of cases measured) to be > 30 cm, and somewhat likely (50% of cases measured) to be 50 cm (20 inches or 1.6 ft) or higher, if TIA in the watershed is > 40% (roughly corresponding to more than 70% of the watershed converted to urban land use).
  - The frequency of stage excursions greater than 15 cm (6 inches or 0.5 ft) above or below pre-development levels is somewhat likely (54% of cases measured) to be more than six per year if the mean annual WLF increases to > 24 cm (9.5 inches or 0.8 ft).
  - The average duration of stage excursions greater than 15 cm above or below pre-development levels is likely (69% of cases measured) to be more than 72 hours if the mean annual WLF increases to > 20 cm.

15. The following hydroperiod limits characterize wetlands with relatively high vegetation species richness and apply to all zones within all wetlands over the entire year. If these limits are exceeded, then species richness is likely to decline. If the analysis described above forecasts exceedances, one or more of the management strategies listed in step 5 should be employed to attempt to stay within the limits.

- Mean annual WLF (and mean monthly WLF for every month of the year) does not exceed 20 cm. Vegetation species richness decrease is likely with: (1) a mean annual (and mean monthly) WLF increase of more than 5 cm (2 inches or 0.16 ft) if predevelopment mean annual (and mean monthly) WLF is greater than 15 cm, or (2) a mean annual (and mean monthly) WLF increase to 20 cm or more if pre-development mean annual (and mean monthly) WLF is 15 cm or less.
- The frequency of stage excursions of 15 cm above or below predevelopment stage does not exceed an annual average of six. Note: A short-term lagging or advancement of the continuous record of water levels is acceptable. The 15 cm limit applies to the temporary increase in maximum water surface elevations (hydrograph peaks) after storm events and the maximum decrease in water surface elevations (hydrograph valley bottoms) between events and during the dry season.
- The duration of stage excursions of 15 cm above or below predevelopment stage does not exceed 72 hours per excursion.
- The total dry period (when pools dry down to the soil surface everywhere in the wetland) does not increase or decrease by more than two weeks in any year.
- Alterations to watershed and wetland hydrology that may cause perennial wetlands to become vernal are avoided.

16. The following hydroperiod limit characterizes priority peat wetlands (bogs and fens as more specifically defined by the Washington Department of Ecology) and applies to all zones over the entire year. If this limit is exceeded, then characteristic bog or fen wetland vegetation is likely to decline. If the analysis described above forecasts exceedance, one or more of the management strategies listed in step 5 should be employed to attempt to stay within the limit.
  - The duration of stage excursions above the predevelopment stage does not exceed 24 hours in any year.
  - Note: To apply this guideline a continuous simulation computer model needs to be employed. The model should be calibrated with data taken under existing conditions at the wetland being analyzed and then used to forecast post- development duration of excursions.
17. The following hydroperiod limits characterize wetlands inhabited by breeding native amphibians and apply to breeding zones during the period 1 February through 31 May. If these limits are exceeded, then amphibian breeding success is likely to decline. If the analysis described above forecasts exceedances, one or more of the management strategies listed in step 5 should be employed to attempt to stay within the limits.
  - The magnitude of stage excursions above or below the pre-development stage does not exceed 8 cm, and the total duration of these excursions does not exceed 24 hours in any 30-day period.
  - Note: To apply this guideline a continuous simulation computer model needs to be employed. The model should be calibrated with data taken under existing conditions at the wetland being analyzed and then used to forecast post-development magnitude and duration of excursions.
18. If it is expected that the hydroperiod limits stated above could be exceeded, consider strategies such as:
  - Reduction of the level of development;
  - Increasing runoff infiltration [Note: Infiltration is prone to failure in many Puget Sound Basin locations with glacial till soils and generally requires pretreatment to avoid clogging. In other situations infiltrating urban runoff may contaminate groundwater. Consult the stormwater management manual adopted by the jurisdiction and carefully analyze infiltration according to its prescriptions.];
  - Increasing runoff storage capacity; and
  - Selective runoff bypass.
19. After development, monitor hydroperiod with a continuously recording level gauge or staff and crest stage gauges. If the applicable limits are exceeded, consider additional applications of the strategies in step 5 that may still be available. It is also recommended that goals be established to maintain key vegetation species, amphibians, or both, and that these species be monitored to determine if the goals are being met.

*(This page intentionally left blank.)*

---

**CITY OF RENTON**  
**SURFACE WATER DESIGN MANUAL**

---

**REFERENCE 6**

**HYDROLOGIC/HYDRAULIC DESIGN METHODS**

**6-A INFILTRATION RATE TEST METHODS**

**6-B POND GEOMETRY CALCULATIONS**

**6-C INTRODUCTION TO LEVEL POOL ROUTING**

**6-D SUPPLEMENTAL MODELING GUIDELINES**

---

*(This page intentionally left blank.)*

# REFERENCE 6-A

## INFILTRATION RATE TEST METHODS

See the City of Renton *Surface Water Design Manual* (SWDM) Chapter 5 and Appendix C for applications and limitations for the use of the infiltration rate test methods below.

### PILOT INFILTRATION TEST (PIT)

*Source: Stormwater Management Manual for Western Washington (SMMWW 2014)*

In-situ infiltration measurements using the Pilot Infiltration Test (PIT) described below is the preferred method for estimating the measured (initial) saturated hydraulic conductivity (K<sub>sat</sub>) of the soil profile beneath the proposed infiltration facility. The larger PIT reduces some of the scale errors associated with relatively small-scale double ring infiltrometer or “stove-pipe” infiltration tests. It is not a standard test but rather a practical field procedure recommended by Ecology’s Technical Advisory Committee.

### LARGE-SCALE PILOT INFILTRATION TEST (PIT)

#### Infiltration Test

- Excavate the test pit to the estimated surface elevation of the proposed infiltration facility. Lay back the slopes sufficiently to avoid caving and erosion during the test. Alternatively, consider shoring the sides of the test pit.
- The horizontal surface area of the bottom of the test pit should be approximately 100 square feet. Accurately document the size and geometry of the test pit.
- Install a vertical measuring rod (minimum 5-ft. long) marked in half-inch increments in the center of the pit bottom.
- Use a rigid 6-inch diameter pipe with a splash plate on the bottom to convey water to the pit and reduce side-wall erosion or excessive disturbance of the pond bottom. Excessive erosion and bottom disturbance will result in clogging of the infiltration receptor and yield lower than actual infiltration rates.
- Add water to the pit at a rate that will maintain a water level between 6 and 12 inches above the bottom of the pit. A rotameter can be used to measure the flow rate into the pit.

*Note: The depth should not exceed the proposed maximum depth of water expected in the completed facility. For infiltration facilities serving large drainage areas, designs with multiple feet of standing water can have infiltration tests with greater than 1 foot of standing water.*

Every 15–30 min, record the cumulative volume and instantaneous flow rate in gallons per minute necessary to maintain the water level at the same point on the measuring rod.

Keep adding water to the pit until one hour after the flow rate into the pit has stabilized (constant flow rate; a goal of 5% variation or less variation in the total flow) while maintaining the same pond water level. The total of the pre-soak time plus one hour after the flow rate has stabilized should be no less than 6 hours.

- After the flow rate has stabilized for at least one hour, turn off the water and record the rate of infiltration (the drop rate of the standing water) in inches per hour from the measuring rod data, until the pit is empty. Consider running this falling head phase of the test several times to estimate the dependency of infiltration rate with head.
- At the conclusion of testing, over-excavate the pit to see if the test water is mounded on shallow restrictive layers or if it has continued to flow deep into the subsurface. The depth of excavation varies depending on soil type and depth to hydraulic restricting layer, and is determined by the engineer or certified soils professional. Mounding is an indication that a mounding analysis is necessary.

### Data Analysis

Calculate and record the saturated hydraulic conductivity rate in inches per hour in 30 minutes or one-hour increments until one hour after the flow has stabilized.

Note: Use statistical/trend analysis to obtain the hourly flow rate when the flow stabilizes. This would be the lowest hourly flow rate.

Apply appropriate correction factors to determine the site-specific design infiltration rate. See the discussion of correction factors for infiltration facilities in SWDM Section 5.4.1.

### Example

The area of the bottom of the test pit is 8.5 feet by 11.5 feet.

Water flow rate was measured and recorded at intervals ranging from 15 to 30 minutes throughout the test. Between 400 minutes and 1,000 minutes the flow rate stabilized between 10 and 12.5 gallons per minute or 600 to 750 gallons per hour, or an average of  $(9.8 + 12.3) / 2 = 11.1$  inches per hour.

## SMALL-SCALE PILOT INFILTRATION TEST (PIT)

A smaller-scale PIT can be substituted for the large-scale PIT in any of the following instances.

- The drainage area to the infiltration site is less than 1 acre.
- The testing is for LID BMPs that serve small drainage areas and /or are widely dispersed throughout a project site.
- The site has a high infiltration rate, making a large-scale PIT difficult, and the site geotechnical investigation suggests uniform subsurface characteristics.

### Infiltration Test

- Excavate the test pit to the estimated surface elevation of the proposed infiltration facility. In the case of bioretention, excavate to the estimated elevation at which the imported soil mix will lie on top of the underlying native soil. For trenches, excavate to the proposed bottom of the trench. For permeable pavements, excavate to the elevation at which the imported subgrade materials, or the pavement itself, will contact the underlying native soil. If the native soils (road subgrade) will have to meet a minimum subgrade compaction requirement, compact the native soil to that requirement prior to testing. Note that the permeable pavement design guidance recommends compaction not exceed 90%–92%. Finally, lay back the slopes sufficiently to avoid caving and erosion during the test. Alternatively, consider shoring the sides of the test pit.
- The horizontal surface area of the bottom of the test pit should be 12 to 32 square feet. It may be circular or rectangular, but accurately document the size and geometry of the test pit.
- Install a vertical measuring rod adequate to measure the ponded water depth and that is marked in half-inch increments in the center of the pit bottom.



- Use a rigid pipe with a splash plate on the bottom to convey water to the pit and reduce side-wall erosion or excessive disturbance of the pond bottom. Excessive erosion and bottom disturbance will result in clogging of the infiltration receptor and yield lower than actual infiltration rates. Use a 3-inch diameter pipe for pits on the smaller end of the recommended surface area, and a 4-inch pipe for pits on the larger end of the recommended surface area.
- Pre-soak period: Add water to the pit so that there is standing water for at least 6 hours. Maintain the pre-soak water level at least 12 inches above the bottom of the pit.
- At the end of the pre-soak period, add water to the pit at a rate that will maintain a 6-12 inch water level above the bottom of the pit over a full hour. The depth should not exceed the proposed maximum depth of water expected in the completed facility.
- Every 15 minutes, record the cumulative volume and instantaneous flow rate in gallons per minute necessary to maintain the water level at the same point (between 6 inches and 1 foot) on the measuring rod. The specific depth should be the same as the maximum designed ponding depth (usually 6–12 inches).
- After one hour, turn off the water and record the rate of infiltration (the drop rate of the standing water) in inches per hour from the measuring rod data, until the pit is empty.
- A self-logging pressure sensor may also be used to determine water depth and drain-down.
- At the conclusion of testing, over-excavate the pit to see if the test water is mounded on shallow restrictive layers or if it has continued to flow deep into the subsurface. The depth of excavation varies depending on soil type and depth to hydraulic restricting layer, and is determined by the engineer or certified soils professional. The soils professional should judge whether a mounding analysis is necessary.

### **Data Analysis**

See the explanation above under the guidance for the large-scale pilot infiltration test.

## SINGLE-RING PERCOLATION TEST PROCEDURE

*(See SWDM Section 5.2 and Appendix C for limitations on the use of this procedure)*

### Preparation for Test

A single ring made of steel or other durable material a minimum of 3 feet in diameter and a minimum of 6 inches high and an adequate supply of clear water is needed. Tests must be performed in undisturbed native soil in suitable locations to determine soil percolation rates for the proposed infiltration facility. The surface of the soil where the test is to be run must be accurately leveled and the ring imbedded and sealed in the soil to prevent water from running under the ring and onto the surface.

### Soaking Period

The ring shall be carefully filled with at least 6 inches of clear water. The depth of water should be maintained for at least 4 hours and preferably overnight if fine-grained soils are present. Automatic siphons or float valves may be employed to automatically maintain the water level during the soaking period. It is extremely important that the soil be allowed to soak for a sufficiently long period of time to allow the soil to swell if accurate results are to be obtained.

In sandy soils with little or no fines, soaking is not necessary. If, after filling the ring twice with 6 inches of water, the water seeps completely away in less than ten minutes, the test can proceed immediately.

### Measurement of the Percolation Rate

Except for sandy soils, percolation rate measurements are made 15 hours but no more than 30 hours after the soaking period began. The water level is adjusted to 6 inches above the soil surface and successive measurements are taken to determine the percolation rate. At no time during the test is the water level allowed to rise more than 6 inches above the soil surface.

Immediately after adjustment, the water level is measured from a fixed reference point to the nearest 1/16th inch at 30-minute intervals. The test is continued until two successive water level drops do not vary by more than 1/16 inch within a 90-minute period. After each measurement, the water level is readjusted to the 6-inch level. The last water level drop is used to calculate the percolation rate.

In sandy soils or soils in which the first 6-inch of water added after the soaking period seeps away in less than 30 minutes, water level measurements are made at 10-minute intervals for a 1-hour period. The last water level drop is used to calculate the percolation rate.

### Calculation of the Percolation Rate

The percolation rate is calculated for each test by dividing the time interval used between measurements by the magnitude of the last water level drop. This calculation results in a percolation rate in terms of minutes/inch. To determine the percolation rate for the area, the rates obtained from each hole are averaged.

Example: If the last measured drop in water level after 30 minutes is 5/8-inch, then:

$$\text{Percolation rate} = (30 \text{ minutes}) / (5/8 \text{ inch}) = 48 \text{ minutes/inch.}$$

# REFERENCE 6-B

## POND GEOMETRY CALCULATIONS

### <Known>

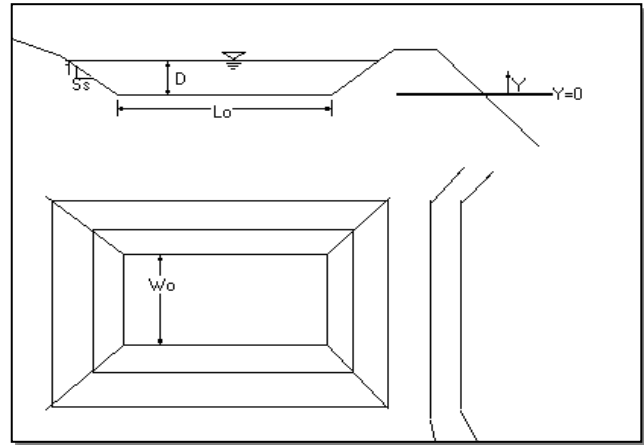
Volume	(V)
Pond Depth	(D)
Side Slope	(S <sub>s</sub> )
Length-to-Width Ratio	(R)

### <Find>

Bottom Area of Rectangular Pond, A<sub>o</sub>

### <Solution>

Y = depth of section measured from bottom, from zero to D  
W<sub>0</sub> = width at pond bottom



The pond width (W) at any depth, Y:

$$W_Y = W_0 + 2S_s Y \quad (\text{Eq. 1})$$

The pond length (L) at any depth, Y:

$$L_Y = RW_0 + 2S_s Y \quad (\text{Eq. 2})$$

The pond area at any depth, Y:

$$A_Y = L_Y W_Y = (RW_0 + 2S_s Y)(W_0 + 2S_s Y) \quad (\text{Eq. 3})$$

or,

$$A_Y = RW_0^2 + (R+1)2W_0 S_s Y + 4S_s^2 Y^2 \quad (\text{Eq. 4})$$

The equation for the pond-full volume (V) is obtained by integrating between Y=0 and Y=D:

$$V = \int_0^D (RW_0^2 + (R+1)2W_0 S_s Y + 4S_s^2 Y^2) dY \quad (\text{Eq. 5})$$

or,

$$V = \left[ RW_0^2 Y + (R+1)W_0 S_s Y^2 + \frac{4}{3} S_s^2 Y^3 \right]_0^D \quad (\text{Eq. 6})$$

or,

$$V = RDW_0^2 + S_s D^2 (R+1)W_0 + \frac{4}{3} S_s^2 D^3 \quad (\text{Eq. 7})$$

Where

V = Volume of rectangular pond

D = Depth

W<sub>0</sub> = Bottom width

R = Length-to-width ratio

S<sub>s</sub> = Side Slope

Rearrange equation to solve for W<sub>0</sub> using quadratic equation,  $0 = ax^2 + bx + c$  :

$$0 = RDW_0^2 + S_s D^2 (R+1)W_0 + \frac{4}{3} S_s^2 D^3 - V \quad (\text{Eq. 8})$$

Use Quadratic Equation to solve for positive solution of W<sub>0</sub>,  $x = \frac{-b \pm \sqrt{b^2 - 4ac}}{2a}$  :

$$W_0 = \frac{-S_s D^2 (R+1) \pm \sqrt{[S_s D^2 (R+1)]^2 - 4RD \left( \frac{4}{3} S_s^2 D^3 - V \right)}}{2RD} \quad (\text{Eq. 9})$$

Use Equation 2 for Length of pond at Y=0:

$$L_0 = RW_0$$

Use Equation 3 for Area of pond at Y=0:

$$A_0 = L_0 W_0 = RW_0^2$$

# REFERENCE 6-C

## INTRODUCTION TO LEVEL POOL ROUTING

### STORAGE ROUTING/WATER LEVEL ANALYSIS METHODS

#### INTRODUCTION TO LEVEL POOL ROUTING

The level pool routing technique is one of the simplest and most commonly used routing methods. It is described in the *Handbook of Applied Hydrology* (Chow, Ven Te, 1964) and elsewhere, and it is based on the continuity equation:

Inflow - Outflow = Change in storage

$$\left[ \left( \frac{I_1 + I_2}{2} \right) - \left( \frac{O_1 + O_2}{2} \right) \right] = \frac{\Delta S}{\Delta t} = S_2 - S_1 \quad (\text{Ref 6C-1})$$

where  $I$  = inflow at time 1 and time 2  
 $O$  = outflow at time 1 and time 2  
 $S$  = storage at time 1 and time 2  
 $\Delta t$  = time interval,  $t_2 - t_1$

The time interval,  $\Delta t$ , must be consistent with the time interval of the inflow hydrograph or time series. The  $\Delta t$  variable can be eliminated by dividing it into the storage variables to obtain the following rearranged equation:

$$I_1 + I_2 + 2S_1 - O_1 = O_2 + 2S_2 \quad (\text{Ref 6C-2})$$

If the time interval,  $\Delta t$ , is in minutes, the units of storage  $S$  are now [cf/min] which can be approximated to cfs by multiplying by 1 min/60 sec.

The terms on the left-hand side of the equation are known from the inflow time series and from the storage and outflow values of the previous time step. The unknowns  $O_2$  and  $S_2$  can be solved using the stage-storage and stage-discharge relationships for the storage facility being analyzed or sized. The level pool routing procedure calls for this calculation to be made for each time step of the inflow time series in order to generate the outflow time series for the facility. Because of the repetitive nature of this procedure, it is best performed using a computer.

#### Developing the Stage-Storage Relationship

The following methods and equations are used for determining the stage-storage relationships of various facility types:

##### Facilities with Vertical Sides

For vertical-sided facilities such as vaults, the stored volume is simply the bottom area times the height.

**Ponds with 3:1 Side Slopes**

For ponds with 3:1 side slopes, the stored volume can be approximated by averaging the pond surface area with the bottom area. The following equation was derived based on this assumption and for a square pond but provides a reasonable trial estimation for typical ponds of other shapes.

$$S(H) = 12 H^3 + 6 \sqrt{A_b} H^2 + A_b H \tag{Ref 6C-3}$$

- where  $H$  = stage height (ft) or water depth above pond bottom
- $A_b$  = area of pond bottom (sf)
- $S(H)$  = storage (cf) at stage height  $H$

*Note: Actual pond volumes and surface areas should be computed based on the methods outlined in Reference Section 6-B, or the following equation:*

$$V = \frac{h}{3} (A_t + A_b + \sqrt{A_t A_b}) \tag{Ref 6C-4}$$

- where  $h$  = depth
- $A_t$  = area of top
- $A_b$  = area of the bottom

**Irregularly Shaped Storage Areas**

The stage-storage relationship for irregularly shaped storage areas may be developed as follows:

1. Obtain topographic contours of an existing or proposed storage facility location and determine (with a planimeter or otherwise) the area enclosed by each contour. For example, in Figure A below, each contour represents a one-foot interval. Contour 71 is the lowest portion of the facility location and represents zero storage. Contour 76 represents a potential stage of 5 feet above the bottom the facility.
2. Calculate the average end area within each set of contours. For the example in Figure A, the average end area between contours 71 and 72 would be:

$$\frac{600 + 4400}{2} = 2500 \text{ sf}$$

3. Calculate the volume between each set of contours by multiplying the average end area within each set of contours by the difference in elevation. To illustrate, the volume between contours 71 and 72 would be:

$$(2500 \text{ sf})(1 \text{ ft}) = 2500 \text{ cf}$$

Similarly,

- Area 72-73 = 6,550 cf
- Area 73-74 = 10,050 cf
- Area 74-75 = 12,950 cf
- Area 75-76 = 16,750 cf

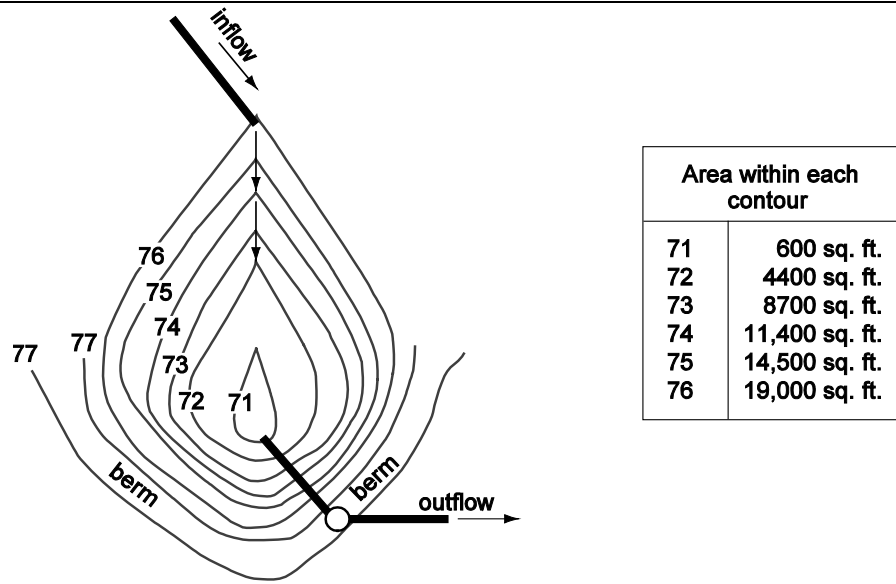
4. Define the total storage below each contour. This is just the sum of the volumes computed in the previous step up to the contour in question. For example, there is no storage below contour 71, 2500 cf below contour 72, and (6550 + 2500) = 9050 cf below contour 73.

In summary,

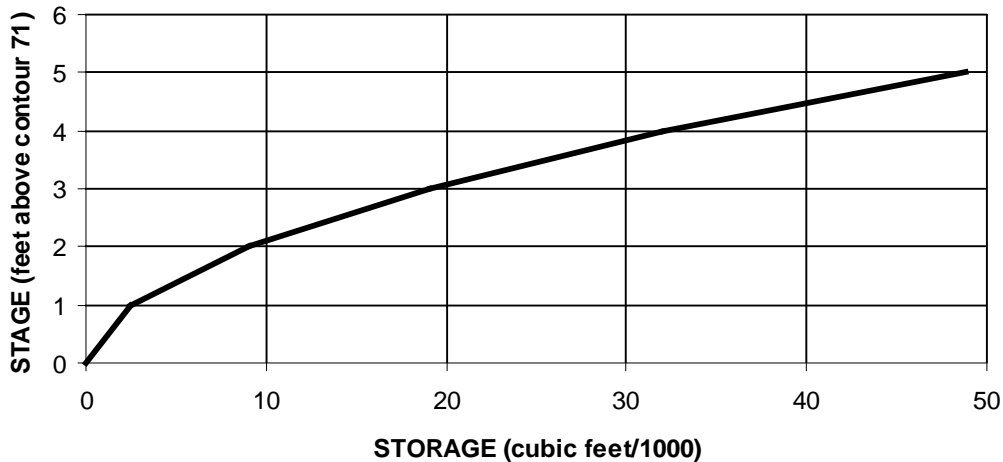
<u>Contours</u>	<u>Stage</u>	<u>Sum of Volumes</u>	<u>Total Volume</u>
Contours 71-72	1	0 + 2,500	= 2,500 cf
Contours 72-73	2	2,500 + 6,500	= 9,050 cf
Contours 73-74	3	9,050 + 10,050	= 19,100 cf
Contours 74-75	4	19,100 + 12,950	= 32,050 cf
Contours 75-76	5	32,050 + 16,750	= 48,800 cf

Figure B below is a plot of the stage-storage relationship for this example.

**FIGURE A – STORAGE AREA CONTOURS AT ONE-FOOT INTERVALS**



**FIGURE B – STAGE-STORAGE RELATIONSHIP**



### **Developing the Stage-Discharge Relationship**

The stage-discharge relationship is determined by computing the peak discharge rate for each stage height used in the stage-storage relationship. Peak discharge rates are computed using the appropriate flow equation(s) or headwater data corresponding to the type of outlet present or proposed.



# REFERENCE 6-D

## SUPPLEMENTAL MODELING GUIDELINES

Following is a list of approved models and default parameters for use specifically with the City of Renton *Surface Water Design Manual (SWDM)*. For general use of the model(s), including default parameters, assumptions and limitations of the model(s), see the user's documentation provided with the software.

**NOTE: Modification of the default modeling parameters shall only be considered through the adjustment process per Section 1.4.**

### APPROVED MODELS

*Note: KCRTS is no longer maintained by King County and is not an approved model for use with the SWDM.*

#### Stormwater Runoff and Water Quality Design

- MGS Flood <<http://mgsengr.com/mgsfloodhome.html>>
- WWHM2012  
*The latest update distributed by Ecology is downloadable at:*  
<<http://www.ecy.wa.gov/programs/wq/stormwater/whmtraining/index.html>>
- WWHM 4  
<<http://www.clearcreeksolutions.info/>>
- Hydrologic Simulation Program (Fortran) (HSPF)  
<<http://water.usgs.gov/software/HSPF/>>

#### Groundwater Mounding Evaluation

- MODRET ver. 6.1 or later (*Infiltration module ONLY*)  
<[http://www.scisoftware.com/environmental\\_software/product\\_info.php?cPath=21\\_27&products\\_id=93&sessid=7fdd6c978ff1d9ffe506964df530536e](http://www.scisoftware.com/environmental_software/product_info.php?cPath=21_27&products_id=93&sessid=7fdd6c978ff1d9ffe506964df530536e)>
- MODFLOW  
<<http://water.usgs.gov/ogw/modflow/>>

#### Backwater Analysis

- KCBW  
<<http://www.kingcounty.gov/environment/waterandland/stormwater/documents/surface-water-design-manual/hydrologic-hydraulic-model-software.aspx>>
- Several others as accepted during the CED plan review process
- Spreadsheets often used, depending on conveyance network complexity

### PARAMETERS USED IN MODELING

Follow the guidance in the software user's documentation except as indicated below. Revision of default or specific parameters requires an approved adjustment per SWDM Section 1.4

## General Default Parameters

### Pervious and Impervious Land Categories (PERLND and IMPLND parameter values)

- In WWHM, MGS Flood and HSPF, pervious land categories are represented by PERLNDs; impervious land categories by IMPLNDs.

WWHM and MGS Flood provide over 20 unique PERLND parameters that describe various hydrologic factors that influence runoff and 4 parameters to represent IMPLND.

These default values are based on regional parameter values developed by the U.S. Geological Survey for watersheds in western Washington (Dinicola, 1990), and for the WWHM model, additional HSPF modeling work conducted by AQUA TERRA Consultants. A complete description of the PERLND parameters can be found in the HSPF User Manual, 8. *The values are not to be revised unless approved through the adjustment process in Section 1.4.*

The precipitation stations used to develop the values represent rainfall at elevations below 1,500 feet. WWHM and MGS Flood do not include snowfall and snowmelt in their analyses.

- When sizing flow control facilities, the infiltration needs to be turned off for infiltrative BMPs to avoid double-counting the infiltration/credit benefit in the sizing.

### Default Parameters and SWDM-Specific Guidelines by Model (periodically updated)

#### **MGS Flood:**

<http://mgsengr.com/mgsfloodhome.html>

#### **Applicability and Limitations to MGS Flood<sup>1</sup>**

*(See the full discussion of Applications and Limitations in the User's Documentation)*

MGS Flood is intended for the analysis of stormwater detention facilities in the lowlands of western Washington. The program utilizes the HSPF routines for computing runoff from rainfall for pervious and impervious land areas. The program does not include routines for simulating the accumulation and melt of snow and its use should be limited to lowland areas where snowmelt is typically not a major contributor to floods or to the annual runoff volume. In general, these conditions correspond to an elevation below approximately 1,500 feet.

The program is applicable for the analysis of stormwater facilities for small sites (several thousand square feet) to watersheds (10s of square miles). The program includes precipitation timeseries with a 15-minute time step for much of western Washington. For sites outside of the 15-minute time series coverage, precipitation time series with a 1-hour time step are included. Ecology allows the use of a 1-hour time step if the 15-minute step is not available.

As of this writing, the wetland analysis module of MGS Flood does not include methodology added to the 2016 SWDM. The update methodology may be completed using a spreadsheet. The methodology in the 2009 SWDM was retained as a conservative alternative (subject to CED determination) and is supported with the MGS Flood wetland analysis module.

#### **Guidelines for Use of MGS Flood with the SWDM:**

5. Use of the Extended Precipitation Timeseries per the general model guidance is required.
6. Use of the 1-hour timestep is only allowed where the 15-minute timestep is not available in the extended precipitation map.
7. Use the flow control exception threshold of 0.1 cfs with the 1-hr timestep. Where the 15-minute timestep is required in design (e.g., water quality facility sizing), multiply the 1-hr timestep peak

---

<sup>1</sup> Source: *MGS Flood User's Manual, Proprietary Version*, with references to City of Renton requirements added

value by 1.6 to approximate the 15-min timestep peak value (Reference: SMMWW 2014 BMP T9.10: Basic Biofiltration Swale, Stability Check SC-1).

### **Western Washington Hydrology Model (WWHM2012, WWHM4):**

<<http://www.ecy.wa.gov/programs/wq/stormwater/whmtraining/index.html>>

#### **Applicability and Limitations to WWHM2012/WWHM4<sup>2</sup>**

*(See the full discussion of Applications and Limitations in the User's Documentation)*

Ecology created WWHM for the specific purpose of sizing stormwater control facilities for new developments in western Washington. WWHM can be used for a range of conditions and developments; however, certain limitations are inherent in this software.

WWHM uses the EPA HSPF software program to do all of the rainfall-runoff and routing computations. Therefore, HSPF limitations are included in the approved model. For example, backwater or tailwater control situations are not explicitly modeled by HSPF. This is also true in the approved model.

Earlier versions of WWHM, WWHM1 and WWHM2 had limited routing capabilities. The routing capabilities of WWHM2012 have improved and the user can input multiple stormwater control facilities and runoff is routed through them. If the proposed development site involves routing through a natural lake or wetland in addition to multiple stormwater control facilities, WWHM2012 can be used to do the routing computations and additional analysis.

Routing effects become more important as the drainage area increases. For this reason, Ecology recommends that WWHM not be used for drainage areas greater than one-half square mile (320 acres). WWHM can be used for small drainage areas less than an acre in size.

#### **Guidelines for use of WWHM2012 or WWHM4 with the SWDM:**

1. The City allows credit for Basic and Enhanced Basic water quality treatment for flows directed through the Ecology-approved bioretention soil mix. Refer to SWDM Section 6.8 for additional guidance related to using bioretention facilities to provide water quality treatment.
2. Water quality facility sizing: On-site BMPs serving pollution-generating surfaces may require water quality treatment located immediately upstream. These water quality facilities may be sized using the tributary area characterized by BMP flow control credits.
3. Water quality reporting: When using the water quality summary feature, ensure the water quality design meets the water quality sizing requirements in SWDM Chapter 6.
4. Submittals for permit review:

Electronic files – include the following files from the model run(s):

- WWHM2012 binary project file (.WHM file extension)
- WWHM2012 ASCII project file (.WH2 file extension)
- WWHM2012 WDM file (.WDM file extension)
- WWHM2012 report file (Word, Rich Text or PDF file)
  - Note: When viewing or printing the project report in text mode, the water quality reporting specific to elements, as selected in the LID Report accessed from the LID icon to the right of the Tools icon, will not display properly unless landscape orientation and legal size paper are selected as viewing/printing options.

<sup>2</sup> Source: *Stormwater Management Manual for Western Washington (SMMWW), 2014 update*

**MODRET ver. 6.1 (Infiltration module ONLY):**

<[http://www.scisoftware.com/environmental\\_software/product\\_info.php?cPath=21\\_27&products\\_id=93&sessid=7fdd6c978ff1d9ffe506964df530536e](http://www.scisoftware.com/environmental_software/product_info.php?cPath=21_27&products_id=93&sessid=7fdd6c978ff1d9ffe506964df530536e)>

**Training available for the software:** <[www.suncam.com](http://www.suncam.com)>

**Applicability and Limitations for MODRET ver. 6.1<sup>3</sup>**

*The use of MODRET for SWDM applications is limited to groundwater mounding analyses* using the Infiltration module of the model.

MODRET (Computer **MODEL** to Design **RETENTION** Ponds) was originally developed in 1990, by Nicolas E. Andreyev, P.E. as a complement to a research and development project for the Southwest Florida Water Management District (SWFWMD), Brooksville, Florida. Since 1990 there have been several revisions to the original model. The user is assumed to be a professional with a background in hydrology and/or hydrogeology, and has a good command in surface runoff and groundwater flow modeling. It is assumed that the user has read the “Stormwater Retention Pond Infiltration Analysis in Unconfined Aquifers” manual (Andreyev, Wiseman, 1989, available from the author or from DNRP) and understands the applicability and limitations of the MODRET program. It is also assumed that the user is familiar with the use of personal computers, Microsoft Windows operating system and its environment.

As a whole, MODRET 6.1 is not compliant with City requirements and SWDM methodologies. The model is tailored around southwest Florida regulatory requirements and methodologies, and allows generation of runoff hydrographs with various methods, calculation of infiltration losses from a retention pond, discharge (overflow) through various types of weirs and orifices, and generation of graphical results. However, the model’s methodology and graphic output closely follow southwest Florida requirements and are not applicable for use in the City. The model’s use with the SWDM is limited to the infiltration module and to the tabular output produced by the module.

**Guidelines for use of MODRET 6.1 with the SWDM:**

MODRET is a stormwater model based on USGS’s MODFLOW and is fashioned around Florida regulatory requirements for stormwater control and pollution abatement. It is single event-based, thus it is limited in its application to the City’s continuous Runoff Files Method requirements. However, it is a popular tool for evaluating groundwater mounding in infiltration facilities and is mandated by Ecology for the purpose. The Infiltration module in MODRET is the only module to be used with the SWDM.

Due to the model’s event-based limitation, the Infiltration module’s graphics output screens do not provide useful information for mounding analyses conducted under this manual and are not to be used unless justified by the professional preparing the analysis and report. The Input screen is the main entry point for data input. The View screen states the maximum water surface results at the bottom of the screen (scroll down to view), and the time-based results in the View screen allow a check against the seasonal rainfall pattern in the hydrograph file.

**Infiltration Module Input Screen**

**Unsaturated Analysis: Yes/No** – The unsaturated analysis in MODRET is an initial transitional stage where the available pore volume fills until the saturated condition is achieved. A conservative approach would not include the unsaturated analysis, ignoring the benefit of the filling of the pore volume.

**Runoff Data** – (selected when the inputs are completed and RUN is selected) Do not use the MANUAL option in the dropdown. Runoff data shall be prepared per Section 5.4.1, *Groundwater Mounding Analysis* and selected with the HYDROGRAPH option in the dropdown menu. The data is exported from the approved model and manipulated in a spreadsheet to the format described in the

---

<sup>3</sup> Source: *MODRET ver.6.1 Help files*, with references to City of Renton requirements added.

MODRET documentation, then saved as a Formatted Text space-delimited file (.PRN file extension). This file is then modified by manually changing its filename extension from .PRN to .SCS. The file is then placed in the MODRET working directory and will appear among the selections when the HYDROGRAPH option is selected.

**Design Highwater Elevation, Area at Starting Water Level** (area of pond bottom), **Elevation of Pond Bottom, Elevation of Starting Water Level** (same as pond bottom), **Pond Length to Width Ratio** – Values are taken or calculated from the design plans for the facility.

**Volume Between Starting Water Level and Estimated High Water Level** – Enter the calculated **net** volume of storage, that is, the gross storage volume of the facility multiplied by the calculated Average Effective Storage Coefficient of Pond (1.0 for an open pond, <1 for gravel trenches or tanks bedded in washed rock). The model does not do this calculation.

**Average Effective Storage Coefficient of Pond** – Calculate from facility design plan.(1.0 for an open pond, < 1.0 for gravel trenches or tanks bedded in washed rock); use 0.35 porosity for typical 2" washed drain rock, justify any other porosity value.

**Elevation of Effective Aquifer Base, Elevation of Seasonal High Groundwater Table** – Values determined from subsurface exploration and documented/justified in the geotechnical summary provided with the analysis. Accurate aquifer thickness data (i.e., location of the aquifer base) can be beneficial to the analysis results, but the data is often incomplete, limiting the reportable aquifer thickness to the depth of the exploration.

**Average Effective Storage Coefficient of Soil for Unsaturated Analysis, Average Effective Storage Coefficient of Soil for Saturated Analysis** – Values determined from subsurface exploration and documented/justified in the geotechnical summary provided with the analysis. The two values are typically not the same and should reflect the specific yield characteristic of the soil (the moisture content of the unsaturated soil left due to capillary forces and surface tension after gravity draining of the saturated soil).

**Unsaturated Vertical Hydraulic Conductivity, Saturated Horizontal Hydraulic Conductivity** – The infiltration rate entered into the model should be the facility design infiltration rate, adjusted to exclude the geometry reduction factor,  $f_{geometry}$ . This infiltration rate is entered as the *Unsaturated Vertical Hydraulic Conductivity* ( $K_{vu}$ ) and is derived from field or lab tests (field tests include a saturation period for the receptor soils, but the results are assumed to reflect the unsaturated condition unless otherwise justified). The *Saturated Horizontal Hydraulic Conductivity* is the dominant mechanism behind mounding, being the lateral movement of the inflow volume through the soil when confined by the water table or impervious stratum below, once the pore volume in the vadose zone is filled. It is indirectly related to the Unsaturated Vertical Hydraulic Conductivity and can be approximated per the guidance in Section 5.4.1 or determined through lab tests or field pumping tests.

The effects of the geometry on groundwater mounding are captured by the model in lieu of applying the reduction factor,  $f_{geometry}$ , so accurate determination of the geometrical inputs is necessary for the modeling results to be valid. Geometry influencing the analysis includes length to width ratio (L:W), design pond depth, net storage volume in the facility, separation of the facility bottom from the seasonal high groundwater table and/or impermeable layer, and location and thickness of the underlying aquifer

**Factor of Safety for  $K_{vu}$**  – A factor of safety of 1.0 for  $K_{vu}$  may be applied when following the guidance for determining the value for Unsaturated Vertical Hydraulic Conductivity above. The input screen for MODRET suggests a value of 2.0; software and supporting documentation indicate the suggestion accounts for plugging by sedimentation and variability of the receptor soil characteristics and field testing results. The reduction factors described in Section 5.4.1 for the Simplified Method achieve this purpose and are to be applied to determine the value for  $K_{vu}$  for MODRET input. Additional factor(s) of safety may be applied according to professional judgment.

***Time Increment(s) During/After/Total for Storm Event*** – Use the program defaults unless otherwise justified by the professional preparing the analysis.

**Additional guidance**

- Allowable stress periods maximum 400 or so; time steps (aka data points) maximum count 9999 for hydrograph input files.
- The MODRET report printout will be very long (approximately 80 pages) when the water year hydrograph files described above under *Input Screen/Runoff Data* are applied. The additional pages are largely a printout of the View screen, where the progress of the model run is displayed and the maximum high water elevation information (i.e., the primary result of concern) appears at the end of the table. Consult CED review staff to determine if the intermediate portion is necessary to be included in the review submittal.
- The hydrograph input file format is described in the model appendices. It is helpful to view one of the installed .SCS files as an example for preparing the files. In a spreadsheet (e.g., Microsoft Excel), manipulate the time series file produced by the approved model to the format described in the appendix using Courier font, save as a .PRN file (i.e., Space Delimited). After exiting the spreadsheet program, replace the saved file's extension with .SCS and move the file to the working folder for MODRET. The file will show in the Hydrograph selection process of the Infiltration module.
- If the Help module in MODRET does not function, open the document(s) directly from the program folder.

**Guidance for use of MODRET 6.1 with other software**

- MODRET and 64 bit Win 7/8 compatibility:
- MODRET is a 32 bit program that will work on 64 bit operating systems. By default, a 32-bit program will install to the "Program Files (x86)" directory on a 64-bit operating system, which causes problems for MODRET. To work around this, change the install directory to C:\MODRET. (DURING INSTALLATION)
- MODRET and Win 7/8 display compatibility:
- The menus in MODRET appear black in Win 7/8. To work around this, change the display theme to the Classic, High Contrast Black, or High Contrast White theme and the menu text will display properly.
- MODRET and Acrobat for Internet Explorer:

During installation, you may receive an error related to AcroIEHelper.dll. Choose Ignore and continue with the installation. As long as you can continue viewing PDFs in your browser, this should not be an issue.

---

**CITY OF RENTON**  
**SURFACE WATER DESIGN MANUAL**

---

**REFERENCE 7**

**ENGINEERING PLAN SUPPORT**

**7-A KING COUNTY STANDARD MAP SYMBOLS**

See the *King County Department of Transportation CADD Standards Manual (2014)* at:

<<http://kingcounty.gov/depts/transportation/roads/cadd-standards.aspx>>

**7-B SURFACE WATER STANDARD PLAN NOTES AND EXAMPLE OF CONSTRUCTION SEQUENCE**

See the Standard Details section of the City's website for the current Surface Water Drainage Notes and Specifications and Erosion Control Notes:

<<http://rentonwa.gov/business/default.aspx?id=1020>>

See attached Example of Construction Sequence.

**7-C STORMFILTER FACILITY ACCESS AND CARTRIDGE CONFIGURATION**

See Resource Tools at Vendor Website:

<<http://www.conteches.com/products/stormwater-management/treatment/stormwater-management-stormfilter>>

---

*(This page intentionally left blank.)*



**CITY OF RENTON**  
**SURFACE WATER DESIGN MANUAL**

---

**REFERENCE 7-B**

**SURFACE WATER STANDARD PLAN NOTES AND  
EXAMPLE OF CONSTRUCTION SEQUENCE**

---

*(This page intentionally left blank.)*

## REFERENCE 7-B

Surface Water Standard Plan Notes and Example of Construction Sequence. . See the Development Engineering Forms section of the City's website for the current Surface Water Drainage Notes and Specifications and Erosion Control Notes:

<<http://rentonwa.gov/business/default.aspx?id=1020>>

## EXAMPLE OF CONSTRUCTION SEQUENCE

### CONSTRUCTION STORMWATER POLLUTION PREVENTION RECOMMENDED CONSTRUCTION SEQUENCE

1. Pre-construction meeting.
2. Post sign with name and phone number of CSWPP/ESC supervisor (may be consolidated with the required notice of construction sign).
3. Flag or fence clearing limits.
4. Install catch basin protection and stormwater BMP area protection as required.
5. Grade and install construction entrance(s).
6. Install perimeter protection (silt fence, brush barrier, etc.).
7. Construct sediment ponds and traps.
8. Grade and stabilize construction roads.
9. Construct surface water controls (interceptor dikes, pipe slope drains, etc.) simultaneously with clearing and grading for project development. Construct SWPPS controls in anticipation of scheduled construction activity (e.g., concrete-related pH measures for utility, vault or roadway construction)
10. Maintain erosion control measures in accordance with Appendix D of the City of Renton *Surface Water Design Manual* and manufacturer's recommendations.
11. Relocate erosion control measures or install new measures so that as site conditions change the erosion and sediment control and pollution prevention is always in accordance with the City's Erosion and Sediment Control Standards.
12. Cover all areas that will be unworked for more than seven days during the dry season or two days during the wet season with straw, wood fiber mulch, compost, or equivalent.
13. Stabilize all areas that reach final grade within seven days.
14. Seed or sod any areas to remain unworked for more than 30 days.
15. Upon completion of the project, all disturbed areas must be stabilized and BMPs removed if appropriate.

*(This page intentionally left blank.)*

---

**CITY OF RENTON**  
**SURFACE WATER DESIGN MANUAL**

---

**REFERENCE 8**

**PLAN REVIEW FORMS AND WORKSHEETS**

**8-A TECHNICAL INFORMATION REPORT (TIR) WORKSHEET**

See attached.

**8-B OFF-SITE ANALYSIS DRAINAGE SYSTEM TABLE**

See attached.

**8-C WATER QUALITY FACILITY SIZING WORKSHEETS**

See the City's Surface Water Design Standards website at:

<<http://rentonwa.gov/government/default.aspx?id=7122>>

**8-D FLOW CONTROL AND WATER QUALITY FACILITY SUMMARY SHEET AND SKETCH**

See the City's Surface Water Design Standards website at:

<<http://rentonwa.gov/government/default.aspx?id=7122>>

**8-E CSWPP WORKSHEET FORMS**

See attached.

---

**8-F ADJUSTMENT APPLICATION AND PROCESS GUIDELINES**

Does not apply to the City.

**8-G DEDICATION AND INDEMNIFICATION CLAUSE – FINAL RECORDING**

Does not apply to the City.

---

**8-H BOND QUANTITIES WORKSHEET**

See the City's Surface Water Design Standards website at:

<<http://rentonwa.gov/government/default.aspx?id=7122>>

**8-I MAINTENANCE AND DEFECT AGREEMENT**

See the City's Surface Water Design Standards website at:

<<http://rentonwa.gov/government/default.aspx?id=7122>>

---

**8-J DRAINAGE FACILITY COVENANT**

See the City's Surface Water Design Standards website at:

<<http://rentonwa.gov/government/default.aspx?id=7122>>

**8-K DRAINAGE RELEASE COVENANT**

See the City's Surface Water Design Standards website at:

<<http://rentonwa.gov/government/default.aspx?id=7122>>

**8-L DRAINAGE EASEMENT**

See the City's Surface Water Design Standards website at:

<<http://rentonwa.gov/government/default.aspx?id=7122>>

**8-M ON-SITE BMP COVENANT AND MAINTENANCE INSTRUCTIONS (RECORDABLE FORMAT)**

See the City's Surface Water Design Standards website for the covenant:

<<http://rentonwa.gov/government/default.aspx?id=7122>>

See attached Maintenance Instructions.

**8-N IMPERVIOUS SURFACE LIMIT COVENANT**

See the City's Surface Water Design Standards website at:

<<http://rentonwa.gov/government/default.aspx?id=7122>>

**8-O CLEARING LIMIT COVENANT**

See the City's Surface Water Design Standards website at:

<<http://rentonwa.gov/government/default.aspx?id=7122>>

**8-P RIVER PROTECTION EASEMENT – CITY OF RENTON**

See the City's Surface Water Design Standards website at:

<<http://rentonwa.gov/government/default.aspx?id=7122>>

**8-Q LEACHABLE METALS COVENANT**

See the City's Surface Water Design Standards website at:

<<http://rentonwa.gov/government/default.aspx?id=7122>>

**8-R AGREEMENT TO CONSTRUCT IMPROVEMENTS**

See the City's Surface Water Design Standards website at:

<<http://rentonwa.gov/government/default.aspx?id=7122>>

---

---

**CITY OF RENTON**  
**SURFACE WATER DESIGN MANUAL**

---

**REFERENCE 8-A**

**TECHNICAL INFORMATION REPORT (TIR) WORKSHEET**

---

*(This page intentionally left blank.)*



# REFERENCE 8-A

## TECHNICAL INFORMATION REPORT (TIR) WORKSHEET

Part 1 PROJECT OWNER AND PROJECT ENGINEER
Project Owner _____
Phone _____
Address _____
_____
Project Engineer _____
Company _____
Phone _____

Part 2 PROJECT LOCATION AND DESCRIPTION
Project Name _____
CED Permit # _____
Location Township _____
Range _____
Section _____
Site Address _____
_____

Part 3 TYPE OF PERMIT APPLICATION
<input type="checkbox"/> Land Use (e.g., Subdivision / Short Subd.)
<input type="checkbox"/> Building (e.g., M/F / Commercial / SFR)
<input type="checkbox"/> Grading
<input type="checkbox"/> Right-of-Way Use
<input type="checkbox"/> Other _____

Part 4 OTHER REVIEWS AND PERMITS	
<input type="checkbox"/> DFW HPA	<input type="checkbox"/> Shoreline Management
<input type="checkbox"/> COE 404	<input type="checkbox"/> Structural Rockery/Vault/_____
<input type="checkbox"/> DOE Dam Safety	<input type="checkbox"/> ESA Section 7
<input type="checkbox"/> FEMA Floodplain	
<input type="checkbox"/> COE Wetlands	
<input type="checkbox"/> Other _____	

Part 5 PLAN AND REPORT INFORMATION	
<p style="text-align: center;"><b>Technical Information Report</b></p> <p>Type of Drainage Review (check one):</p> <p><input type="checkbox"/> Full</p> <p><input type="checkbox"/> Targeted</p> <p><input type="checkbox"/> Simplified</p> <p><input type="checkbox"/> Large Project</p> <p><input type="checkbox"/> Directed</p> <p>Date (include revision dates): _____</p> <p>Date of Final: _____</p>	<p style="text-align: center;"><b>Site Improvement Plan (Engr. Plans)</b></p> <p>Plan Type (check one):</p> <p><input type="checkbox"/> Full</p> <p><input type="checkbox"/> Modified</p> <p><input type="checkbox"/> Simplified</p> <p>Date (include revision dates): _____</p> <p>Date of Final: _____</p>

TECHNICAL INFORMATION REPORT (TIR) WORKSHEET

**Part 6 SWDM ADJUSTMENT APPROVALS**

Type (circle one):      Standard / Blanket

Description: (include conditions in TIR Section 2)

\_\_\_\_\_

\_\_\_\_\_

\_\_\_\_\_

Approved Adjustment No. \_\_\_\_\_ Date of Approval: \_\_\_\_\_

**Part 7 MONITORING REQUIREMENTS**

Monitoring Required:    Yes / No

Start Date: \_\_\_\_\_

Completion Date: \_\_\_\_\_

Describe: \_\_\_\_\_

\_\_\_\_\_

Re: SWDM Adjustment No. \_\_\_\_\_

**Part 8 SITE COMMUNITY AND DRAINAGE BASIN**

Community Plan: \_\_\_\_\_

Special District Overlays: \_\_\_\_\_

Drainage Basin: \_\_\_\_\_

Stormwater Requirements: \_\_\_\_\_

**Part 9 ONSITE AND ADJACENT SENSITIVE AREAS**

River/Stream \_\_\_\_\_

Lake \_\_\_\_\_

Wetlands \_\_\_\_\_

Closed Depression \_\_\_\_\_

Floodplain \_\_\_\_\_

Other \_\_\_\_\_

\_\_\_\_\_

Steep Slope \_\_\_\_\_

Erosion Hazard \_\_\_\_\_

Landslide Hazard \_\_\_\_\_

Coal Mine Hazard \_\_\_\_\_

Seismic Hazard \_\_\_\_\_

Habitat Protection \_\_\_\_\_

\_\_\_\_\_

TECHNICAL INFORMATION REPORT (TIR) WORKSHEET

<b>Part 10 SOILS</b>		
Soil Type	Slopes	Erosion Potential
<input type="checkbox"/> High Groundwater Table (within 5 feet)	<input type="checkbox"/> Sole Source Aquifer	
<input type="checkbox"/> Other _____	<input type="checkbox"/> Seeps/Springs	
<input type="checkbox"/> Additional Sheets Attached		

<b>Part 11 DRAINAGE DESIGN LIMITATIONS</b>	
REFERENCE	LIMITATION / SITE CONSTRAINT
<input type="checkbox"/> Core 2 – Offsite Analysis _____	
<input type="checkbox"/> Sensitive/Critical Areas _____	
<input type="checkbox"/> SEPA _____	
<input type="checkbox"/> LID Infeasibility _____	
<input type="checkbox"/> Other _____	
<input type="checkbox"/> _____	
<input type="checkbox"/> Additional Sheets Attached	

<b>Part 12 TIR SUMMARY SHEET</b>	
<b>(provide one TIR Summary Sheet per Threshold Discharge Area)</b>	
<b>Threshold Discharge Area:</b> (name or description)	
<b>Core Requirements (all 8 apply):</b>	
Discharge at Natural Location	Number of Natural Discharge Locations:
Offsite Analysis	Level: 1 / 2 / 3      dated: _____
Flow Control (include facility summary sheet)	Standard: _____ or Exemption Number: _____ On-site BMPs: _____
Conveyance System	Spill containment located at: _____
Erosion and Sediment Control / Construction Stormwater Pollution Prevention	CSWPP/CESCL/ESC Site Supervisor: _____ Contact Phone: _____ After Hours Phone: _____

TECHNICAL INFORMATION REPORT (TIR) WORKSHEET

<b>Part 12 TIR SUMMARY SHEET</b>		<b>(provide one TIR Summary Sheet per Threshold Discharge Area)</b>	
Maintenance and Operation	Responsibility (circle one):	Private / Public	If Private, Maintenance Log Required: Yes / No
Financial Guarantees and Liability	Provided:	Yes / No	
Water Quality (include facility summary sheet)	Type (circle one):	Basic / Sens. Lake / Enhanced Basic / Bog or Exemption No. _____	
<b>Special Requirements (as applicable):</b>			
Area Specific Drainage Requirements	Type:	SDO / MDP / BP / Shared Fac. / None Name: _____	
Floodplain/Floodway Delineation	Type (circle one):	Major / Minor / Exemption / None 100-year Base Flood Elevation (or range): _____ Datum: _____	
Flood Protection Facilities	Describe:		
Source Control (commercial / industrial land use)	Describe land use: Describe any structural controls:		
Oil Control	High-Use Site:	Yes / No Treatment BMP: _____ Maintenance Agreement: Yes / No with whom? _____	
<b>Other Drainage Structures</b>			
Describe:			

TECHNICAL INFORMATION REPORT (TIR) WORKSHEET

**Part 13 EROSION AND SEDIMENT CONTROL REQUIREMENTS**

**MINIMUM ESC REQUIREMENTS DURING CONSTRUCTION**

- Clearing Limits
- Cover Measures
- Perimeter Protection
- Traffic Area Stabilization
- Sediment Retention
- Surface Water Collection
- Dewatering Control
- Dust Control
- Flow Control
- Control Pollutants
- Protect Existing and Proposed BMPs/Facilities
- Maintain Protective BMPs / Manage Project

**MINIMUM ESC REQUIREMENTS AFTER CONSTRUCTION**

- Stabilize exposed surfaces
- Remove and restore Temporary ESC Facilities
- Clean and remove all silt and debris, ensure operation of Permanent BMPs/Facilities, restore operation of BMPs/Facilities as necessary
- Flag limits of sensitive areas and open space preservation areas
- Other \_\_\_\_\_

**Part 14 STORMWATER FACILITY DESCRIPTIONS (Note: Include Facility Summary and Sketch)**

Flow Control	Type/Description	Water Quality	Type/Description
<input type="checkbox"/> Detention	_____	<input type="checkbox"/> Vegetated Flowpath	_____
<input type="checkbox"/> Infiltration	_____	<input type="checkbox"/> Wetpool	_____
<input type="checkbox"/> Regional Facility	_____	<input type="checkbox"/> Filtration	_____
<input type="checkbox"/> Shared Facility	_____	<input type="checkbox"/> Oil Control	_____
<input type="checkbox"/> On-site BMPs	_____	<input type="checkbox"/> Spill Control	_____
<input type="checkbox"/> Other	_____	<input type="checkbox"/> On-site BMPs	_____
		<input type="checkbox"/> Other	_____

**Part 15 EASEMENTS/TRACTS**

- Drainage Easement
- Covenant
- Native Growth Protection Covenant
- Tract
- Other \_\_\_\_\_

**Part 16 STRUCTURAL ANALYSIS**

- Cast in Place Vault
- Retaining Wall
- Rockery > 4' High
- Structural on Steep Slope
- Other \_\_\_\_\_

TECHNICAL INFORMATION REPORT (TIR) WORKSHEET

**Part 17 SIGNATURE OF PROFESSIONAL ENGINEER**

I, or a civil engineer under my supervision, have visited the site. Actual site conditions as observed were incorporated into this worksheet and the attached Technical Information Report. To the best of my knowledge the information provided here is accurate.

\_\_\_\_\_  
*Signed/Date*

**CITY OF RENTON**  
**SURFACE WATER DESIGN MANUAL**

---

**REFERENCE 8-B**

**OFF-SITE ANALYSIS DRAINAGE SYSTEM TABLE**

---

*(This page intentionally left blank.)*





*(This page intentionally left blank.)*

**CITY OF RENTON**  
**SURFACE WATER DESIGN MANUAL**

---

**REFERENCE 8-E**

**CSWPP WORKSHEET FORMS**

---

*(This page intentionally left blank.)*

# REFERENCE 8-E

## CSWPP WORKSHEET FORMS

### ESC MAINTENANCE REPORT

Performed By: \_\_\_\_\_  
 Date: \_\_\_\_\_  
 Project Name: \_\_\_\_\_  
 CED Permit #: \_\_\_\_\_

**Clearing Limits**

Damage                   OK\_\_\_\_\_ Problem\_\_\_\_\_

Visible                   OK\_\_\_\_\_ Problem\_\_\_\_\_

Intrusions               OK\_\_\_\_\_ Problem\_\_\_\_\_

Other                     OK\_\_\_\_\_ Problem\_\_\_\_\_

**Mulch**

Rills/Gullies            OK\_\_\_\_\_ Problem\_\_\_\_\_

Thickness               OK\_\_\_\_\_ Problem\_\_\_\_\_

Other                     OK\_\_\_\_\_ Problem\_\_\_\_\_

**Nets/Blankets**

Rills/Gullies            OK\_\_\_\_\_ Problem\_\_\_\_\_

Ground Contact         OK\_\_\_\_\_ Problem\_\_\_\_\_

Other                     OK\_\_\_\_\_ Problem\_\_\_\_\_

**Plastic**

Tears/Gaps              OK\_\_\_\_\_ Problem\_\_\_\_\_

Other                     OK\_\_\_\_\_ Problem\_\_\_\_\_

**Seeding**

Percent Cover           OK\_\_\_\_\_ Problem\_\_\_\_\_

Rills/Gullies            OK\_\_\_\_\_ Problem\_\_\_\_\_

Mulch                    OK\_\_\_\_\_ Problem\_\_\_\_\_

Other                     OK\_\_\_\_\_ Problem\_\_\_\_\_

**Sodding**

Grass Health            OK\_\_\_\_\_ Problem\_\_\_\_\_

Rills/Gullies            OK\_\_\_\_\_ Problem\_\_\_\_\_

Other                     OK\_\_\_\_\_ Problem\_\_\_\_\_

**Perimeter Protection including Silt Fence**

Damage                   OK\_\_\_\_\_ Problem\_\_\_\_\_

Sediment Build-up       OK\_\_\_\_\_ Problem\_\_\_\_\_

Concentrated Flow       OK\_\_\_\_\_ Problem\_\_\_\_\_

Other                     OK\_\_\_\_\_ Problem\_\_\_\_\_

**Flow Control, Treatment, and On-site BMP/Facility Protection**

Damage	OK_____	Problem_____
Sedimentation	OK_____	Problem_____
Concentrated Flow	OK_____	Problem_____
Rills/Gullies	OK_____	Problem_____
Intrusions	OK_____	Problem_____
Other	OK_____	Problem_____

**Brush Barrier**

Damage	OK_____	Problem_____
Sediment Build-up	OK_____	Problem_____
Concentrated Flow	OK_____	Problem_____
Other	OK_____	Problem_____

**Vegetated Strip**

Damage	OK_____	Problem_____
Sediment Build-up	OK_____	Problem_____
Concentrated Flow	OK_____	Problem_____
Other	OK_____	Problem_____

**Construction Entrance**

Dimensions	OK_____	Problem_____
Sediment Tracking	OK_____	Problem_____
Vehicle Avoidance	OK_____	Problem_____
Other	OK_____	Problem_____

**Wheel Wash**

Dimensions	OK_____	Problem_____
Sed build up or tracking	OK_____	Problem_____
Other	OK_____	Problem_____

**Construction Road**

Stable Driving Surf.	OK_____	Problem_____
Vehicle Avoidance	OK_____	Problem_____
Other	OK_____	Problem_____

**Sediment Trap/Pond**

Sed. Accumulation	OK_____	Problem_____
Overtopping	OK_____	Problem_____
Inlet/Outlet Erosion	OK_____	Problem_____
Other	OK_____	Problem_____

**Catch Basin/Inlet Protection**

Sed. Accumulation	OK_____	Problem_____
Damage	OK_____	Problem_____
Clogged Filter	OK_____	Problem_____
Other	OK_____	Problem_____

**Interceptor Dike/Swale**

Damage	OK_____	Problem_____
Sed. Accumulation	OK_____	Problem_____
Overtopping	OK_____	Problem_____
Other	OK_____	Problem_____

**Pipe Slope Drain**

Damage	OK_____	Problem_____
Inlet/Outlet	OK_____	Problem_____
Secure Fittings	OK_____	Problem_____
Other	OK_____	Problem_____

**Ditches**

Damage	OK_____	Problem_____
Sed. Accumulation	OK_____	Problem_____
Overtopping	OK_____	Problem_____
Other	OK_____	Problem_____

**Outlet Protection**

Scour	OK_____	Problem_____
Other	OK_____	Problem_____

**Level Spreader**

Damage	OK_____	Problem_____
Concentrated Flow	OK_____	Problem_____
Rills/Gullies	OK_____	Problem_____
Sed. Accumulation	OK_____	Problem_____
Other	OK_____	Problem_____

**Dewatering Controls**

Sediment	OK_____	Problem_____
----------	---------	--------------

**Dust Control**

Palliative applied	OK_____	Problem_____
--------------------	---------	--------------

**Miscellaneous**

Wet Season Stockpile	OK_____	Problem_____
Other	OK_____	Problem_____

**Comments:**

\_\_\_\_\_  
 \_\_\_\_\_  
 \_\_\_\_\_

**Actions Taken:**

\_\_\_\_\_  
 \_\_\_\_\_  
 \_\_\_\_\_

**Problems Unresolved:**

\_\_\_\_\_  
 \_\_\_\_\_  
 \_\_\_\_\_

<b>BMP Implementation</b>		<b>Completed by:</b> _____ <b>Title:</b> _____ <b>Date:</b> _____	
Develop a plan for implementing each BMP. Describe the steps necessary to implement the BMP (i.e., any construction or design), the schedule for completing those steps (list dates), and the person(s) responsible for implementation.			
BMPs	Description of Action(s) Required for Implementation	Scheduled Milestone and Completion Date(s)	Person Responsible for Action
<b>Good Housekeeping</b>	1. _____		
	2. _____		
	3. _____		
<b>Preventive Maintenance</b>	1. _____		
	2. _____		
	3. _____		
	4. _____		
<b>Spill Prevention and Emergency Cleanup</b>	1. _____		
	2. _____		
	3. _____		
<b>Inspections</b>	1. _____		
	2. _____		
	3. _____		



BMPs	Description of Action(s) Required for Implementation	Schedule Milestone and Completion Date(s)	Person Responsible for Action
<b>Source Control BMPs</b>	1.		
	2.		
	3.		
	4.		
	5.		
	6.		
	7.		
	8.		
<b>Water Quality Facilities</b>	1.		
	2.		
	3.		
	4.		
<b>Flow Control Facilities</b>	1.		
	2.		
	3.		
	4.		
<b>On-Site BMPs</b>	1.		
	2.		
	3.		
	4.		

<b>Pollution Prevention Team</b>	<b>Completed by:</b> _____ <b>Title:</b> _____ <b>Date:</b> _____
Responsible Official: _____ Team Leader: _____  Responsibilities: _____ _____ _____	Title: _____ Office Phone: _____ Cell Phone: _____
(1) _____  Responsibilities: _____ _____ _____	Title: _____ Office Phone: _____ Cell Phone: _____
(2) _____  Responsibilities: _____ _____ _____	Title: _____ Office Phone: _____ Cell Phone: _____

<b>Employee Training</b>		<b>Completed by:</b> _____ <b>Title:</b> _____ <b>Date:</b> _____	
Describe the annual training of employees on the SWPPP, addressing spill response, good housekeeping, and material management practices.			
Training Topics	Brief Description of Training Program/Materials (e.g., film, newsletter course)	Schedule for Training (list dates)	Attendees
<b>1.) LINE WORKERS</b>			
Spill Prevention and Response			
Good Housekeeping			
Material Management Practices			
<b>2.) P2 TEAM:</b>			
SWPPP Implementation			
Monitoring Procedures			

<b>List of Significant Spills and Leaks</b>	Completed by: _____ Title: _____ Date: _____
---	--

List all spills and leaks of toxic or hazardous pollutants that were significant but are not limited to, release of oil or hazardous substances in excess of reportable quantities. Although not required, we suggest you list spills and leaks of non-hazardous materials.

Date (month/ day/ year)	Location (as indicated on site map)	Description				Response Procedure		Preventive Measure Taken
		Type of Material	Quantity	Source, If Known	Reason for Spill/Leak	Amount of Material Recovered	Material no longer exposed to stormwater (Yes/No)	

<b>Potential Pollutant Source Identification</b>	Completed by: _____ Title: _____ Date: _____	
<b>List all potential stormwater pollutants from materials handled, treated, or stored onsite.</b>		
Potential Stormwater Pollutant	Stormwater Pollutant Source	Likelihood of pollutant being present in your stormwater discharge. If yes, explain

<b>Material Inventory</b>		Completed by: _____ Title: _____ Date: _____						
List materials handled, treated, stored, or disposed of at the project site that may potentially be exposed to precipitation or runoff.								
Material	Purpose/Location	Quantity (Units)				Likelihood of contact with stormwater If Yes, describe reason:	Past Spill or Leak	
		Used	Produced	Stored			Yes	No
		(indicate per wk. or yr.)						

**CITY OF RENTON**  
**SURFACE WATER DESIGN MANUAL**

---

**REFERENCE 8-M**

**ON-SITE BMP COVENANT AND MAINTENANCE  
INSTRUCTIONS (RECORDABLE FORMAT)**

---

*(This page intentionally left blank.)*



## **MAINTENANCE INSTRUCTIONS FOR FULL DISPERSION**

Your property contains an on-site BMP (best management practice) called “*full dispersion.*”

Full dispersion is a strategy for minimizing the area disturbed by development (i.e., impervious or nonnative pervious surfaces, such as concrete areas, roofs, and lawns) relative to native vegetated areas (e.g., forested surface) together with the application of dispersion techniques that utilize the natural capacity of the native vegetated areas to mitigate the stormwater runoff quantity and quality impacts of the developed surfaces.

This on-site BMP has two primary components that must be maintained per Appendix A of the City of Renton’s Surface Water Design Manual:

- (1) the devices that disperse runoff from the developed surfaces, and
- (2) the native vegetated area and flowpath receiving the dispersed runoff.

### **Dispersion Devices**

The **dispersion devices** used on your property include the following as indicated on the site plan (CHECK THE BOX(ES) THAT APPLY):

- splash blocks,  rock pads,  gravel filled trenches,  sheet flow.

## **MAINTENANCE RESTRICTIONS**

The size, placement, composition, and downstream flowpaths of these devices as depicted by the site plan and design details must be maintained and may not be changed without written approval from the City of Renton or through a future development permit from the City of Renton.

## **INSPECTION FREQUENCY AND MAINTENANCE GUIDELINES**

### **Dispersion Devices**

- Dispersion devices must be inspected annually and after major storm events to identify and repair any physical defects.
- When native soil is exposed or erosion channels are present, the sources of the erosion or concentrated flow need to be identified and mitigated.
- Bare spots should be re-vegetated with native vegetation.
- Concentrated flow can be mitigated by leveling the edge of the pervious area and/or regrading or replenishing the rock in the dispersion device, such as in rock pads and gravel-filled trenches.

### **Native Growth Retention Area**

- The native vegetated surface required for full dispersion is delineated as a “native growth retention area” on the on-site BMP site plan. The trees, vegetation, ground cover, and soil conditions in this area may not be disturbed, except as allowed by the following provisions for that portion of the native growth retention area outside of critical areas and critical area buffers:
  1. Individual trees that have a structural defect due to disease or other defects, and which threaten to damage a structure, road, parking area, utility, or place of employment or

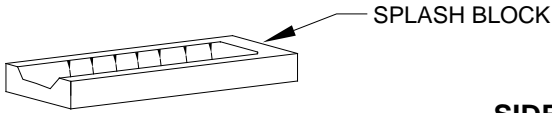
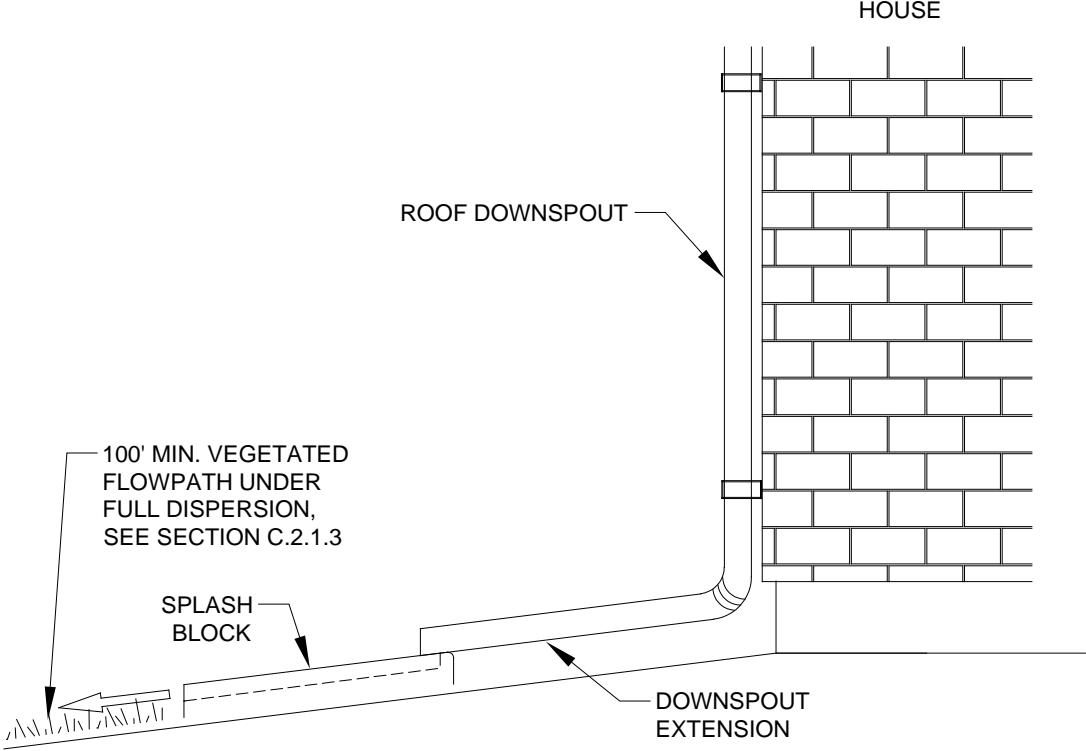
public assembly, or block emergency access, may be topped, pruned, or removed as needed to eliminate the threat.

2. Dead or fallen trees, tree limbs within ten feet of the ground, and branches overhanging a residence may be removed to reduce the danger of wildfire.
3. Noxious weeds (i.e., plant species listed on the State noxious weed list in Chapter 16-750 WAC) and invasive vegetation (i.e., plant species listed as obnoxious weeds on the noxious weed list adopted by King County) may be removed.
4. Passive recreation uses and related facilities, including pedestrian, equestrian community and bicycle trails, nature viewing areas, fishing and camping areas, and other similar uses that do not require permanent structures, are allowed if clearing and soil compaction associated with these uses and facilities does not exceed eight percent of the native growth retention area.

### **RECORDING REQUIREMENT**

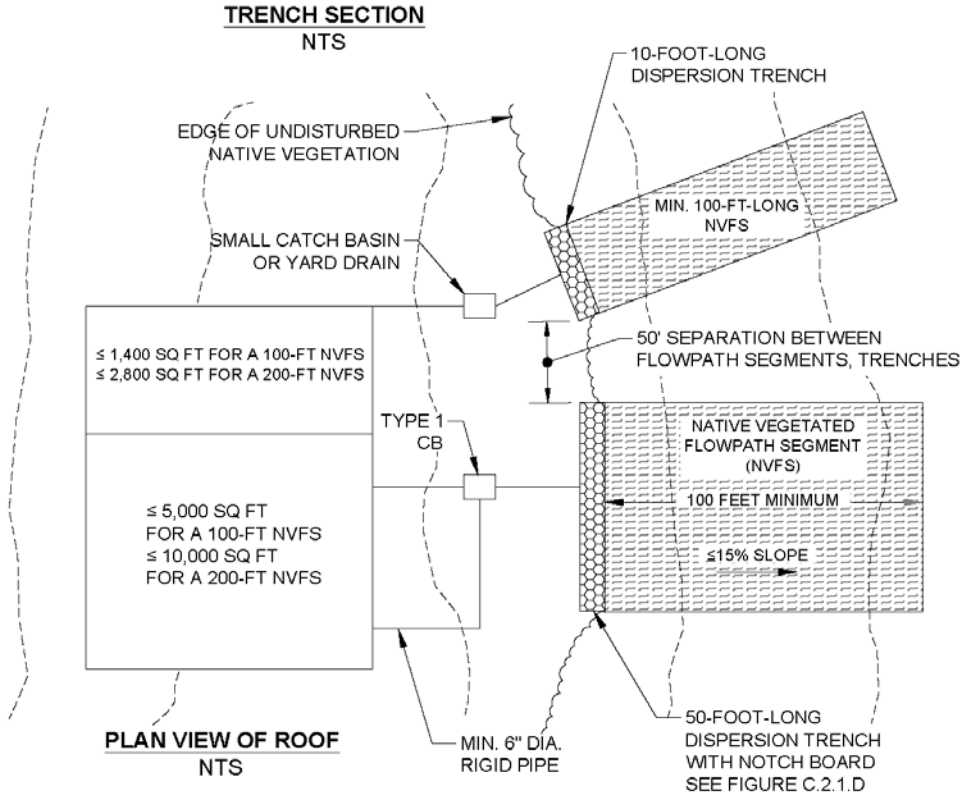
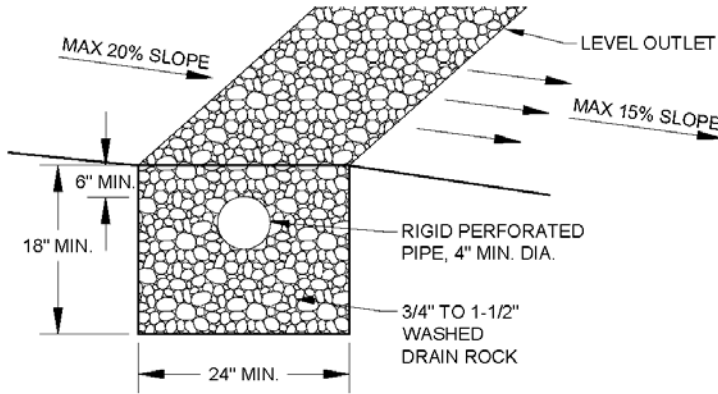
These full dispersion on-site BMP maintenance and operation instructions must be recorded as an attachment to the required **declaration of covenant and grant of easement** per Requirement 3 of Section C.1.3.4 of the City of Renton *Surface Water Design Manual*. The intent of these instructions is to explain to future property owners, the purpose of the BMP and how it must be maintained and operated. These instructions are intended to be a minimum; the City of Renton may require additional instructions based on site-specific conditions. See the City of Renton's Surface Water Design Manual website for additional information and updates.

**TYPICAL FULL DISPERSION APPLICATIONS**

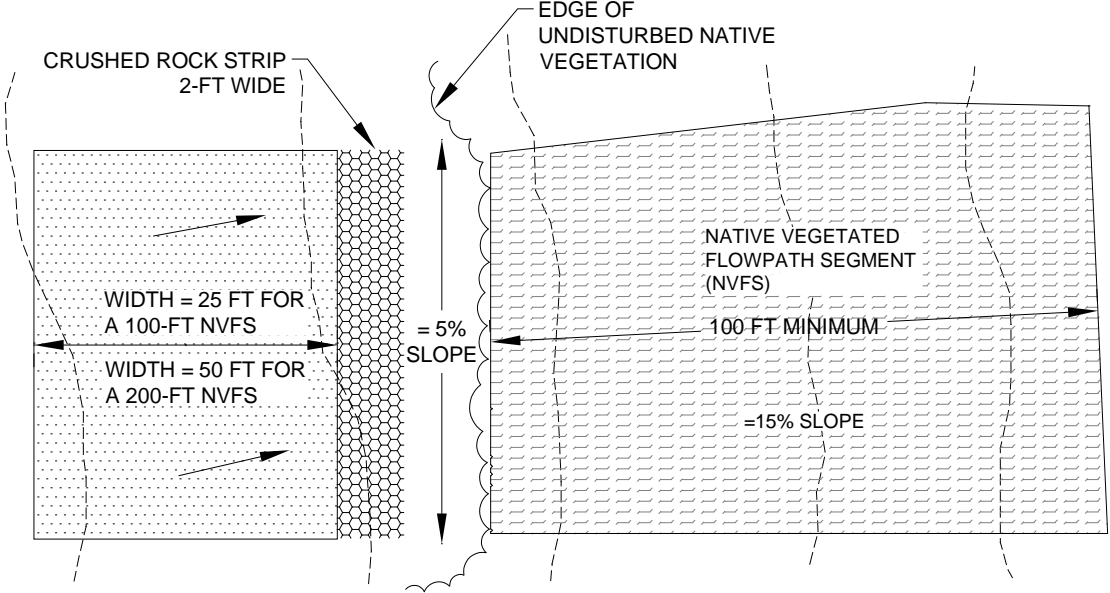


**SIDE VIEW**  
NTS

## TYPICAL FULL DISPERSION APPLICATIONS



**TYPICAL FULL DISPERSION APPLICATIONS**



**PLAN VIEW**  
NTS

## **MAINTENANCE INSTRUCTIONS FOR FULL INFILTRATION**

Your property contains an on-site BMP (best management practice) called “*full infiltration*,” which was installed to mitigate the stormwater quantity and quality impacts of some or all of the impervious surfaces on your property.

Full infiltration is a method of soaking runoff from impervious area (such as paved areas and roofs) into the ground. If properly installed and maintained per Appendix A of the City of Renton’s Surface Water Design Manual, full infiltration can manage runoff so that a majority of precipitation events are absorbed. Infiltration devices, such as gravel filled trenches, drywells, and ground surface depressions, facilitate this process by putting runoff in direct contact with the soil and holding the runoff long enough to soak most of it into the ground. To be successful, the soil condition around the infiltration device must be reliably able to soak water into the ground for a reasonable number of years.

### **Infiltration Devices**

The **infiltration devices** used on your property include the following as indicated on the site plan (CHECK THE BOX(ES) THAT APPLY):

gravel filled trenches,  drywells,  ground surface depressions.

## **MAINTENANCE RESTRICTIONS**

The size, placement, and composition of these devices as depicted by the site plan and design details must be maintained and may not be changed without written approval from the City of Renton or through a future development permit from the City of Renton.

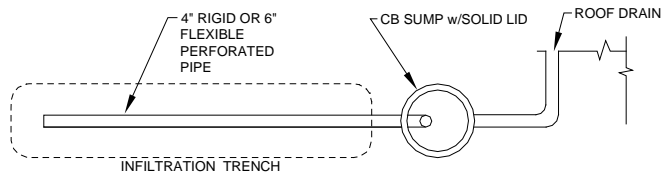
## **INSPECTION FREQUENCY AND MAINTENANCE GUIDELINES**

- Infiltration devices must be inspected annually and after major storm events to identify and repair any physical defects.
- Maintenance and operation of the system should focus on ensuring the system’s viability by preventing sediment-laden flows from entering the device. Excessive sedimentation will result in a plugged or non-functioning facility.
- If the infiltration device has a catch basin, sediment accumulation must be removed on a yearly basis or more frequently if necessary.
- Prolonged ponding around or atop a device may indicate a plugged facility. If the device becomes plugged, it must be replaced.
- Keeping the areas that drain to infiltration devices well swept and clean will enhance the longevity of these devices.
- For roofs, frequent cleaning of gutters will reduce sediment loads to these devices.

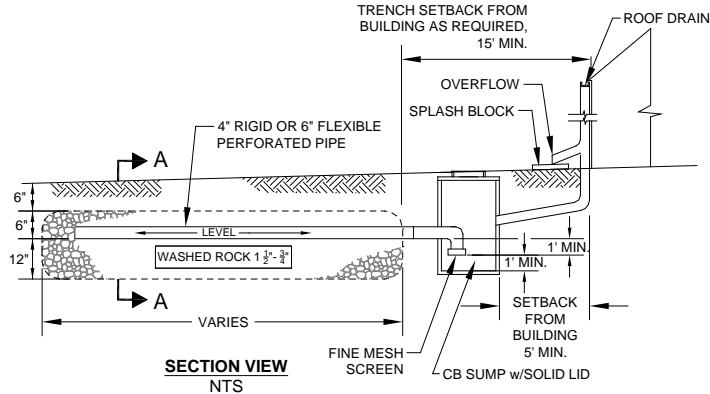
## RECORDING REQUIREMENT

These full infiltration on-site BMP maintenance and operation instructions must be recorded as an attachment to the required **declaration of covenant and grant of easement** per Requirement 3 of Section C.1.3.4 of the City of Renton *Surface Water Design Manual*. The intent of these instructions is to explain to future property owners, the purpose of the BMP and how it must be maintained and operated. These instructions are intended to be a minimum; the City of Renton may require additional instructions based on site-specific conditions. See the City of Renton's Surface Water Design Manual website for additional information and updates.

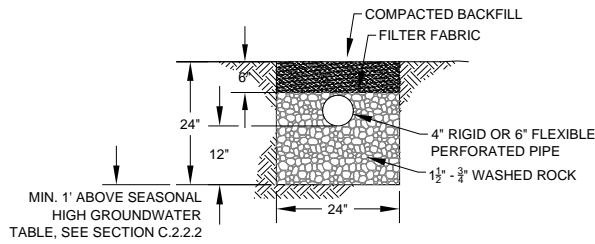
# TYPICAL FULL INFILTRATION APPLICATIONS



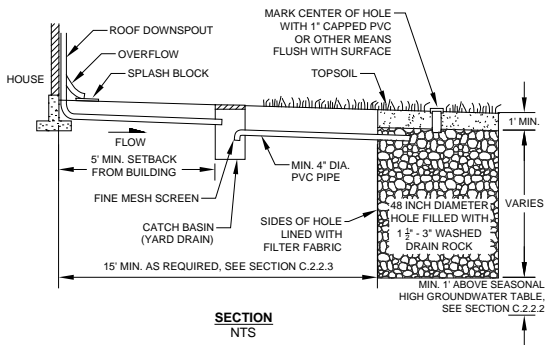
**PLAN VIEW**  
NTS



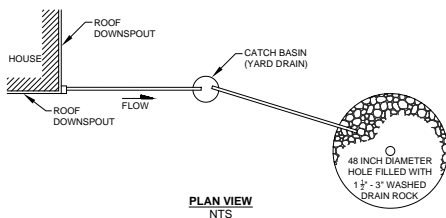
**SECTION VIEW**  
NTS



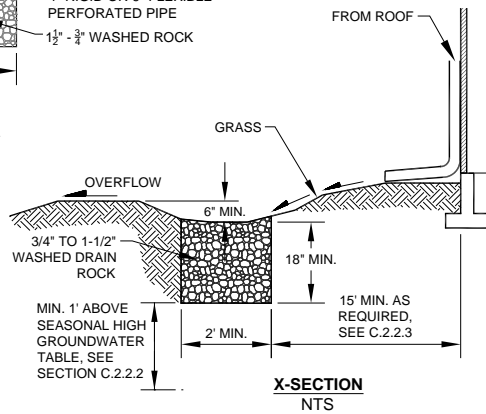
**SECTION A**  
NTS



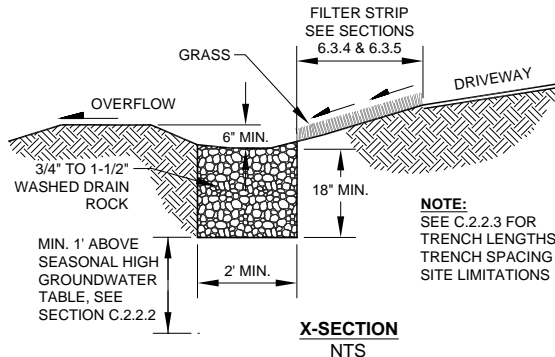
**SECTION**  
NTS



**PLAN VIEW**  
NTS



**X-SECTION**  
NTS



**X-SECTION**  
NTS

**NOTE:**  
SEE C.2.2.3 FOR  
TRENCH LENGTHS,  
TRENCH SPACING AND  
SITE LIMITATIONS



## **MAINTENANCE INSTRUCTIONS FOR A RAIN GARDEN**

Your property contains an on-site BMP (best management practice) called a “*rain garden*,” which was installed to mitigate the stormwater quantity and quality impacts of some or all of the impervious or nonnative pervious surfaces on your property.

Rain gardens include vegetated closed depressions (ponds) that retain and filter stormwater from an area of impervious surface or nonnative pervious surface on your property. The soil in the rain garden has been enhanced to encourage and support vigorous plant growth that serves to filter the water and sustain infiltration capacity. Depending on soil conditions, the rain garden area may have water in it throughout the wet season and may overflow during major storm events. This on-site BMP shall be maintained per Appendix A of the City of Renton’s Surface Water Design Manual.

### **MAINTENANCE RESTRICTIONS**

The size, placement, and design of the rain garden as depicted by the site plan and design details must be maintained and may not be changed without written approval from the City of Renton or through a future development permit from City of Renton. Plant materials may be changed to suit tastes, but chemical fertilizers and pesticides must not be used.

### **INSPECTION FREQUENCY AND MAINTENANCE GUIDELINES**

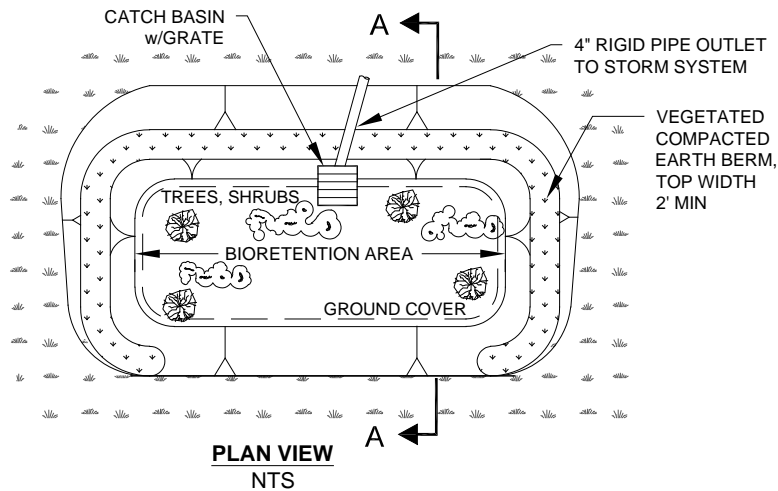
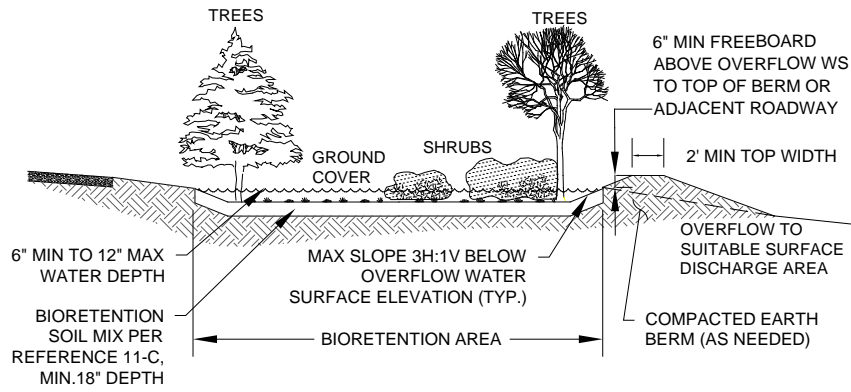
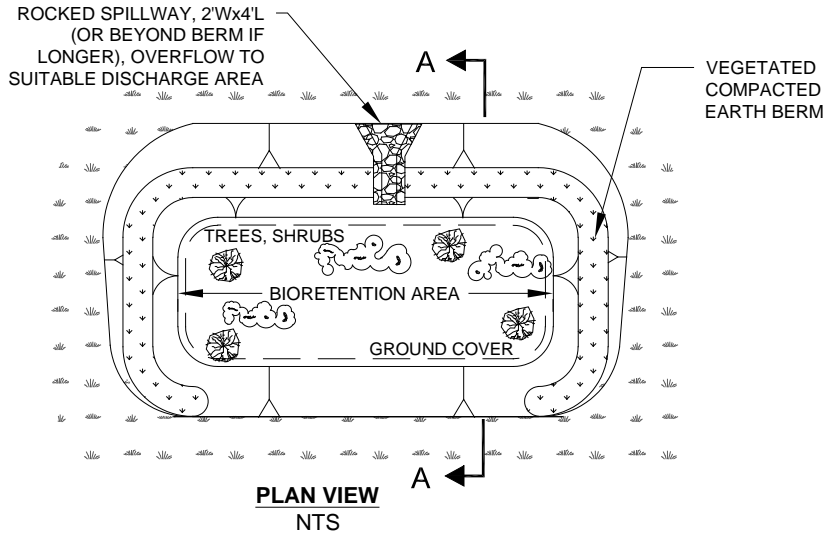
- Rain gardens must be inspected annually for physical defects and sediment accumulation.
- Rain gardens have inflow and overflow inlets and outlets. These need to be maintained to ensure that water is moving into and out of the rain garden. Check inlets/outlets for debris/sediment blockage, bare spots (exposed soil), or other signs of erosion damage (soil movement). Remove debris and obstructions as necessary.
- After major storm events, the system should be checked to see that the overflow system is working properly and sedimentation is not occurring at the inlet. If erosion damage or bare spots are evident, they should be stabilized with soil, plant material, mulch, or landscape rock. Sediment deposits should be carefully removed and the sediment source eliminated.
- Plants must be adapted to wet winter conditions and dry summer conditions. Vegetation is to be watered and pruned as needed.
- Frequent watering is required to keep the plants healthy:
  - Year 1: weekly,
  - Year 2: bimonthly,
  - Year 3: bimonthly,
  - Year 4 & beyond: as needed for established plantings and dry periods.
- Chemical fertilizers and pesticides must not be used.
- Soil must be replaced in areas where sediment accumulation is preventing adequate infiltration of water through the soil.
- Compacted soil should be decompacted.
- Trash and debris must be removed often from the rain garden depression.

- Mulch must be applied to bare soil at a minimum of 2 inches to maintain healthy growth.
- Compost may be added if soil nutrients are no longer adequate to support plant growth.
- Vegetation should be maintained as follows:
  - 1) Replace all dead vegetation as soon as possible;
  - 2) Remove fallen leaves and debris as needed;
  - 3) Remove all noxious vegetation when discovered;
  - 4) Manually weed without herbicides or pesticides;
  - 5) To protect infiltration performance, do not compact soils in the bioretention cell with heavy maintenance equipment and/or excessive foot traffic;
  - 6) During drought conditions, use mulch to prevent excess solar damage and water loss.

### **RECORDING REQUIREMENT**

These rain garden on-site BMP maintenance and operation instructions must be recorded as an attachment to the required **declaration of covenant and grant of easement** per Requirement 3 of Section C.1.3.4 of the City of Renton *Surface Water Design Manual*. The intent of these instructions is to explain to future property owners, the purpose of the BMP and how it must be maintained and operated. These instructions are intended to be a minimum; the City of Renton may require additional instructions based on site-specific conditions. See the City of Renton's Surface Water Design Manual website for additional information and updates.

**TYPICAL RAIN GARDEN (SPILLWAY OR CATCH BASIN OUTLET)**



## **MAINTENANCE INSTRUCTIONS FOR A BIORETENTION CELL**

Your property contains an on-site BMP (best management practice) called “*bioretention*,” which was installed to mitigate the stormwater quantity and quality impacts on both the impervious (paved or roof) and pervious surfaces (lawn or landscape) on your property.

Bioretention cells, like rain gardens, are vegetated closed depressions or ponds that retain and filter stormwater from an area of impervious surface or nonnative pervious surface. Bioretention cells rely on effective infiltration performance more so than rain gardens. The soil in the bioretention cell has been enhanced to encourage and support vigorous plant growth that serves to filter the water and sustain a minimum infiltration capacity. Depending on soil conditions, bioretention cells may have water in them throughout the wet season and may overflow during major storm events. However, standing water can also be an indicator that periodic maintenance is required to sustain infiltrative performance. This on-site BMP shall be maintained per Appendix A of the City of Renton’s Surface Water Design Manual.

### **MAINTENANCE RESTRICTIONS**

The size, placement, and design of the rain garden as depicted by the site plan and design details must be maintained and may not be changed without written approval from the City of Renton or through a future development permit from the City of Renton. Chemical fertilizers and pesticides must not be used.

### **INSPECTION FREQUENCY AND MAINTENANCE GUIDELINES**

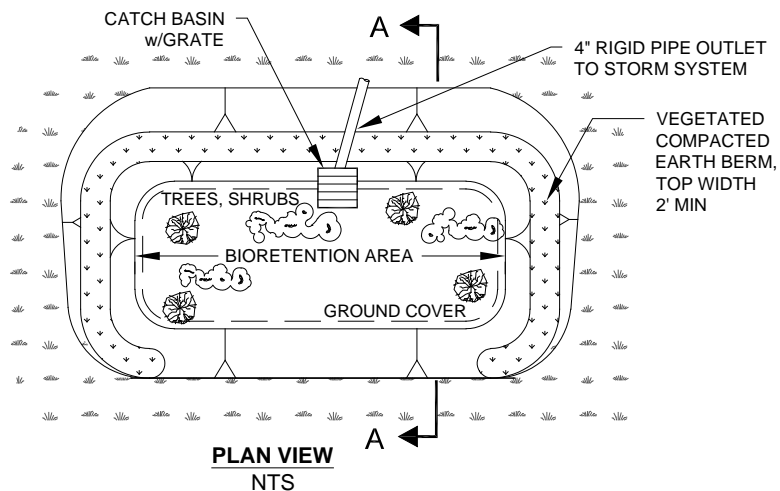
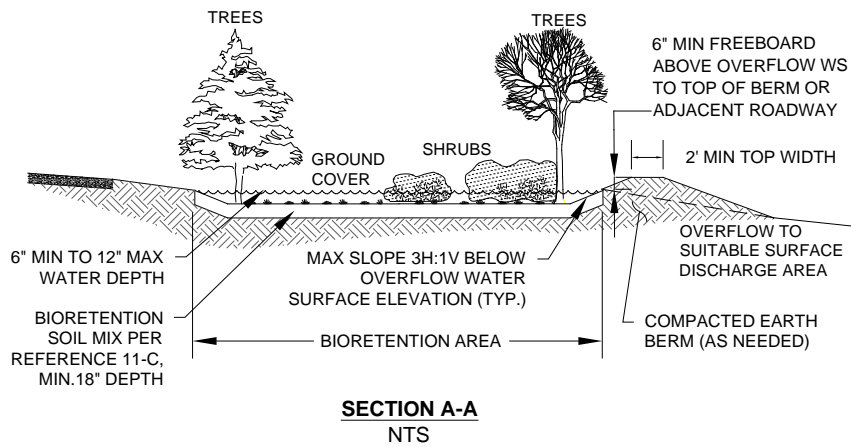
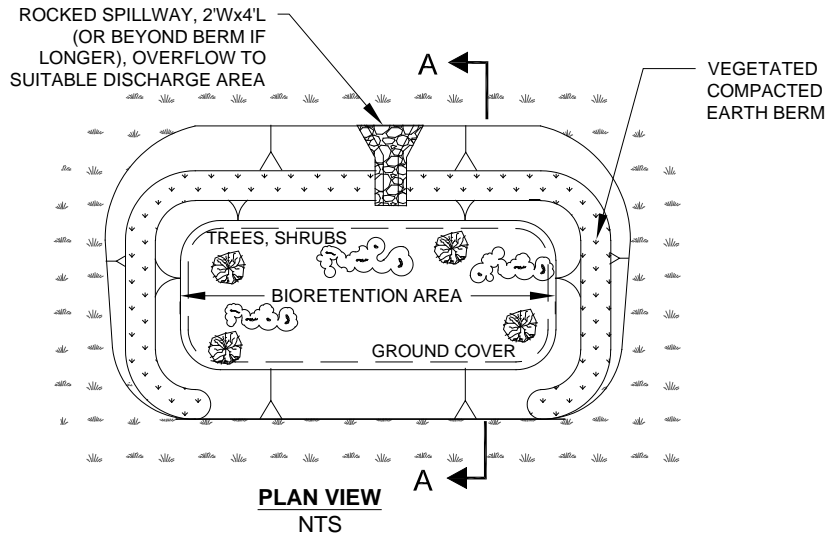
- Bioretention cells must be inspected annually for physical defects and sediment accumulation.
- Bioretention cells have inflow and overflow inlets and outlets. These need to be maintained to ensure that water is moving into and out of the bioretention area. Check inlets/outlets for debris/sediment blockage, bare spots (exposed soil), or other signs of erosion damage (soil movement). Remove debris and obstructions as necessary.
- After major storm events, the bioretention cell should be checked to see that the overflow system is working properly and sedimentation is not occurring at the inlet. If erosion damage or bare spots are evident, they should be stabilized with soil, plant material, mulch, or landscape rock. Sediment deposits should be carefully removed and the sediment source eliminated.
- Plants must be adapted to wet winter conditions and dry summer conditions. Vegetation is to be watered and pruned as needed.
- Frequent watering is required to keep the plants healthy:
  - Year 1: weekly,
  - Year 2: bimonthly,
  - Year 3: bimonthly,
  - Year 4 and beyond: as needed for established plantings and dry periods.
- Chemical fertilizers and pesticides must not be used.
- Bioretention soil must be replaced in areas where sediment accumulation is preventing adequate infiltration of water through the soil.

- Compacted soil should be decompacted.
- Trash and debris must be removed often from the bioretention depression.
- Mulch must be applied to bare soil at a minimum of 2 inches to maintain healthy growth.
- Compost may be added if soil nutrients are no longer adequate to support plant growth.
- Plant materials may be changed to suit tastes.
- Vegetation should be maintained as follows:
  - 1) Replace all dead vegetation as soon as possible;
  - 2) Remove fallen leaves and debris as needed;
  - 3) Remove all noxious vegetation when discovered;
  - 4) Manually weed without herbicides or pesticides;
  - 5) To protect infiltration performance, do not compact soils in the bioretention cell with heavy maintenance equipment and/or excessive foot traffic;
  - 6) During drought conditions, use mulch to prevent excess solar damage and water loss.

#### **RECORDING REQUIREMENT**

These bioretention on-site BMP maintenance and operation instructions must be recorded as an attachment to the required **declaration of covenant and grant of easement** per Requirement 3 of Section C.1.3.4 of the City of Renton *Surface Water Design Manual*. The intent of these instructions is to explain to future property owners, the purpose of the BMP and how it must be maintained and operated. These instructions are intended to be a minimum; the City of Renton may require additional instructions based on site-specific conditions. See the City of Renton's Surface Water Design Manual website for additional information and updates.

**TYPICAL BIORETENTION CELL (SPILLWAY OR CATCH BASIN OUTLET)**



## **MAINTENANCE INSTRUCTIONS FOR VEGETATED PERMEABLE PAVEMENT (GRASSED MODULAR GRID PAVEMENT)**

Your property contains an on-site BMP (best management practice) called “*grassed modular grid pavement*,” which was installed to minimize the stormwater quantity and quality impacts of some or all of the paved surfaces on your property.

Grassed modular grid pavement has the runoff characteristics of a lawn while providing the weight-bearing capacity of concrete pavement. The grassed surface not only minimizes runoff quantity, it helps to filter pollutants generating by vehicular use of the surface.

### **MAINTENANCE RESTRICTIONS**

The composition and area of grassed modular grid pavement as depicted by the site plan and design details must be maintained and may not be changed without written approval from the City of Renton or through a future development permit from the City of Renton.

### **INSPECTION FREQUENCY AND MAINTENANCE GUIDELINES**

- Grassed modular grid pavement must be inspected after one major storm each year to make sure it is working properly. More frequent inspection is recommended.
- Prolonged ponding or standing water on the pavement surface is a sign that the system is defective and may need to be replaced. If this occurs, or if any modification, surface restoration or stabilization is planned (except for mowing and periodic maintenance), contact the pavement installer or the City of Renton for further instructions.
- The grassed surface of the pavement must be regularly mowed and maintained in a good condition. Bare spots must be replanted in the spring or fall.

### **RECORDING REQUIREMENT**

These vegetated permeable pavement on-site BMP maintenance and operation instructions must be recorded as an attachment to the required **declaration of covenant and grant of easement** per Requirement 3 of Section C.1.3.4 of the City of Renton *Surface Water Design Manual*. The intent of these instructions is to explain to future property owners, the purpose of the BMP and how it must be maintained and operated. These instructions are intended to be a minimum; the City of Renton may require additional instructions based on site-specific conditions. See the City of Renton’s Surface Water Design Manual website for additional information and updates.

## **MAINTENANCE INSTRUCTIONS FOR PERMEABLE PAVEMENT (NON-VEGETATED)**

Your property contains an on-site BMP (best management practice) called “*permeable pavement*,” which was installed to minimize the stormwater quantity and quality impacts of some or all of the paved surfaces on your property.

Permeable pavements reduce the amount of rainfall that becomes runoff by allowing water to seep through the pavement into a free-draining gravel or sand bed, where it can be infiltrated into the ground. This on-site BMP shall be maintained per Appendix A of the City of Renton’s Surface Water Design Manual.

### **Permeable Pavements**

The type(s) of **permeable pavement** used on your property is (CHECK THE BOX(ES) THAT APPLY):

- Porous concrete
- Porous asphalt
- Permeable pavers
- Modular grid pavement

### **MAINTENANCE RESTRICTIONS**

The area covered by permeable pavement as depicted by the site plan and design details must be maintained as permeable pavement and may not be changed without written approval from the City of Renton or through a future development permit from the City of Renton.

### **INSPECTION FREQUENCY AND MAINTENANCE GUIDELINES**

- Permeable pavements must be inspected after one major storm each year to make sure it is working properly. More frequent inspection is recommended.
- Prolonged ponding or standing water on the pavement surface is a sign that the system is defective and may need to be replaced. If this occurs, contact the pavement installer or the City of Renton for further instructions.
- A typical permeable pavement system has a life expectancy of approximately 25 years. To help extend the useful life of the system, the surface of the permeable pavement should be kept clean, stable and free of leaves, debris, and sediment through regular sweeping or vacuum sweeping. Aggregate fill in modular grid pavement may need periodic surface replenishment.
- The owner is responsible for the repair of all ruts, deformation, and/or broken paving grids or pavers.
- Modular grid pavement and permeable pavers filled with gravel or with gravel in the joints may need to be refilled periodically.



## RECORDING REQUIREMENT

These permeable pavement on-site BMP maintenance and operation instructions must be recorded as an attachment to the required **declaration of covenant and grant of easement** per Requirement 3 of Section C.1.3.4 of the City of Renton *Surface Water Design Manual*. The intent of these instructions is to explain to future property owners, the purpose of the BMP and how it must be maintained and operated. These instructions are intended to be a minimum; the City of Renton may require additional instructions based on site-specific conditions. See the City of Renton's Surface Water Design Manual website for additional information and updates.

## **MAINTENANCE INSTRUCTIONS FOR BASIC DISPERSION**

Your property contains an on-site BMP (best management practice) called “*basic dispersion*,” which was installed to mitigate the stormwater quantity and quality impacts of some or all of the impervious surfaces or non-native pervious surfaces on your property.

Basic dispersion is a strategy for utilizing any available capacity of onsite vegetated areas to retain, absorb, and filter the runoff from developed surfaces. This on-site BMP has two primary components that must be maintained:

- (1) The devices that disperse runoff from the developed surfaces and
- (2) The vegetated area over which runoff is dispersed.

### **Dispersion Devices**

The **dispersion devices** used on your property include the following as indicated on the site plan (CHECK THE BOX(ES) THAT APPLY):

- splash blocks,  rock pads,  gravel filled trenches,  sheet flow.

## **MAINTENANCE RESTRICTIONS**

The size, placement, composition, and downstream flowpaths of these devices as depicted by the site plan and design details must be maintained and may not be changed without written approval from the City of Renton or through a future development permit from the City of Renton.

## **INSPECTION FREQUENCY AND MAINTENANCE GUIDELINES**

This on-site BMP has two primary components that must be maintained per Appendix A of the City of Renton’s Surface Water Design Manual:

- (1) The devices that disperse runoff from the developed surfaces and
- (2) The vegetated flowpath area over which runoff is dispersed.

### **Maintenance of Dispersion Devices**

- Dispersion devices must be inspected annually and after major storm events to identify and repair any physical defects.
- When native soil is exposed or erosion channels are present, the sources of the erosion or concentrated flow need to be identified and mitigated.
- Concentrated flow can be mitigated by leveling the edge of the pervious area and/or realigning or replenishing the rocks in the dispersion device, such as in rock pads and gravel filled trenches.

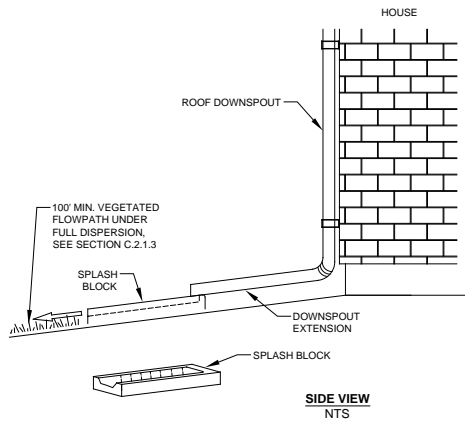
### **Maintenance of Vegetated Flowpaths**

- The vegetated area over which runoff is dispersed must be maintained in good condition free of bare spots and obstructions that would concentrate flows.

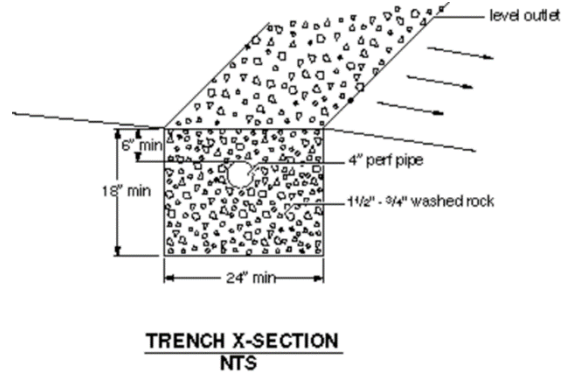
## RECORDING REQUIREMENT

These basic dispersion on-site BMP maintenance and operation instructions must be recorded as an attachment to the required **declaration of covenant and grant of easement** per Requirement 3 of Section C.1.3.4 of the City of Renton *Surface Water Design Manual*. The intent of these instructions is to explain to future property owners, the purpose of the BMP and how it must be maintained and operated. These instructions are intended to be a minimum; the City of Renton may require additional instructions based on site-specific conditions. See the City of Renton's Surface Water Design Manual website for additional information and updates.

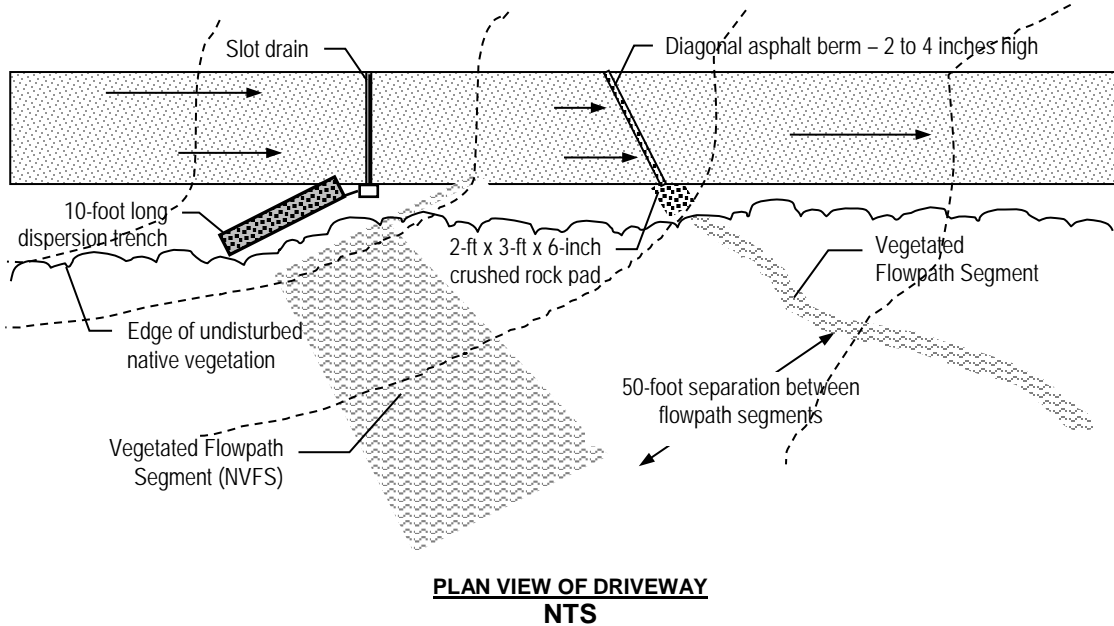
### TYPICAL SPLASH BLOCK



### TYPICAL 10-FOOT DISPERSION TRENCH CROSS-SECTION



### TYPICAL DRIVEWAY APPLICATION OF DISPERSION TRENCH AND ROCK PAD



## **MAINTENANCE INSTRUCTIONS FOR LIMITED INFILTRATION**

Your property contains an on-site BMP (best management practice) called “*limited infiltration*,” which was installed to mitigate the stormwater quantity and quality impacts of some or all of the impervious surfaces on your property.

Limited infiltration is a method of soaking runoff from impervious area (such as paved areas and roofs) into the ground. Infiltration devices, such as gravel filled trenches, drywells, and ground surface depressions, facilitate this process by putting runoff in direct contact with the soil and holding the runoff long enough to soak most of it into the ground. To be successful, the soil condition around the infiltration device must be able to soak water into the ground for a reasonable number of years. This on-site BMP shall be maintained per Appendix A of the City of Renton’s Surface Water Design Manual.

### **Infiltration Devices**

The **infiltration devices** used on your property include the following as indicated on the site plan (CHECK THE BOX(ES) THAT APPLY):

- gravel filled trenches,  drywells

### **MAINTENANCE RESTRICTIONS**

The size, placement, and composition of these devices as depicted by the site plan and design details must be maintained and may not be changed without written approval from the City of Renton or through a future development permit from the City of Renton.

### **INSPECTION FREQUENCY AND MAINTENANCE GUIDELINES**

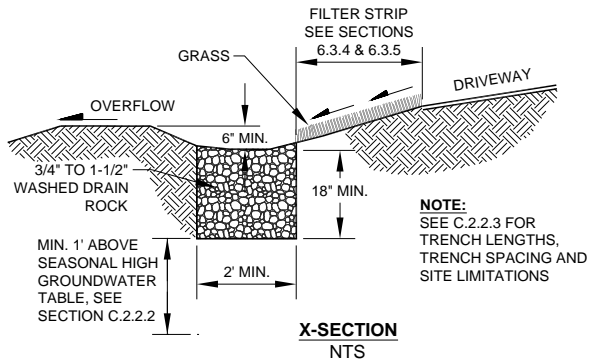
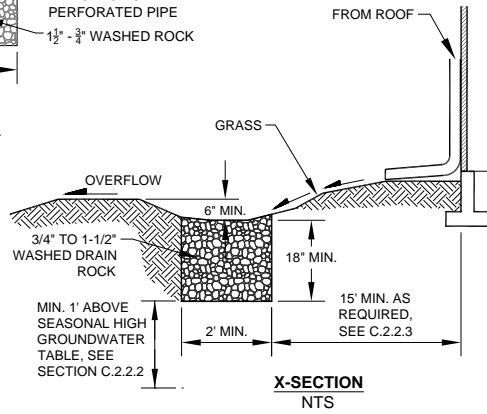
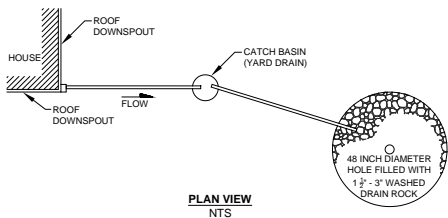
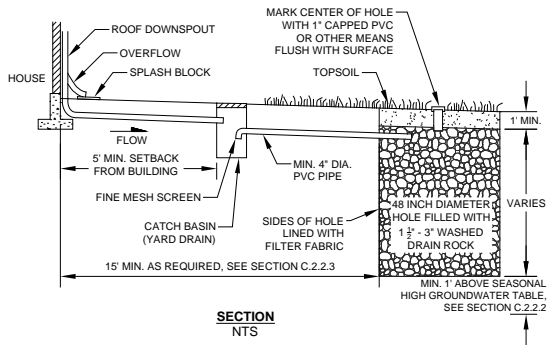
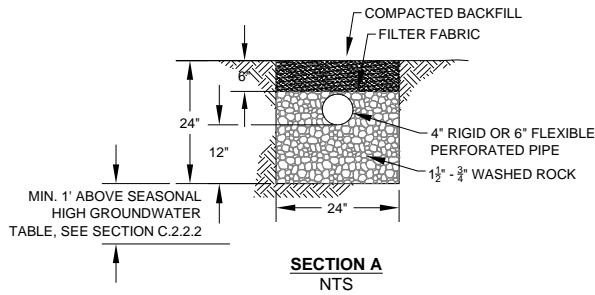
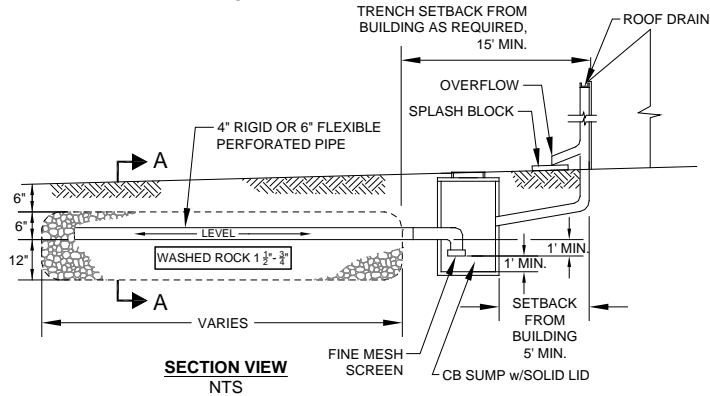
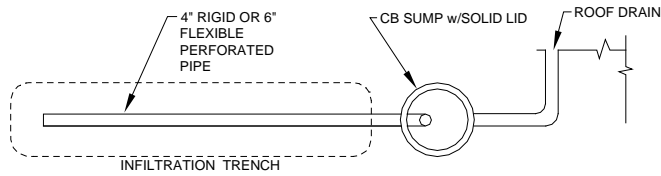
To be successful, the soil condition around the infiltration device must be able to soak water into the ground for a reasonable number of years.

- Infiltration devices must be inspected annually and after major storm events to identify and repair any physical defects.
- Maintenance and operation of the system should focus on ensuring the system's viability by preventing sediment-laden flows from entering the device. Excessive sedimentation will result in a plugged or non-functioning facility.
- If the infiltration device has a catch basin, sediment accumulation must be removed on a yearly basis or more frequently if necessary.
- Prolonged ponding around or atop a device may indicate a plugged facility. If the device becomes plugged, it must be replaced.
- Keeping the areas that drain to infiltration devices well swept and clean will enhance the longevity of these devices.
- For roofs, frequent cleaning of gutters will reduce sediment loads to these devices.

## RECORDING REQUIREMENT

These limited infiltration on-site BMP maintenance and operation instructions must be recorded as an attachment to the required **declaration of covenant and grant of easement** per Requirement 3 of Section C.1.3.4 of the City of Renton *Surface Water Design Manual*. The intent of these instructions is to explain to future property owners, the purpose of the BMP and how it must be maintained and operated. These instructions are intended to be a minimum; the City of Renton may require additional instructions based on site-specific conditions. See the City of Renton's Surface Water Design Manual website for additional information and updates.

# INFILTRATION TRENCH AND DRYWELL SYSTEMS



**NOTE:**  
SEE C.2.2.3 FOR  
TRENCH LENGTHS,  
TRENCH SPACING AND  
SITE LIMITATIONS

## **MAINTENANCE INSTRUCTIONS FOR RAINWATER HARVESTING**

Your property contains an on-site BMP (best management practice) called “**rainwater harvesting**,” which was installed to minimize the stormwater runoff impacts of impervious surface on your property.

Rainwater harvesting is a means for the collection and storage of roof runoff for domestic or irrigation use. **Rainwater harvesting systems** include a collection area, a filtering system, a storage device, and an outflow device. This on-site BMP shall be maintained per Appendix A of the City of Renton’s Surface Water Design Manual.

### **MAINTENANCE RESTRICTIONS**

The size, components, and configuration of the rainwater system as depicted by the site plan and design details must be maintained and may not be changed without written approval from the City of Renton or through a future development permit from the City of Renton.

### **INSPECTION FREQUENCY AND MAINTENANCE GUIDELINES**

Rainwater harvesting systems include a *collection area*, a *filtering system*, a *storage device*, and an *outflow device*:

- The *collection area* (e.g., roof) should be routinely inspected for debris and other material that could impede the entrance and/or exit of surface flows.
- The *filtering system* should be periodically inspected for effectiveness and replaced or replenished as recommended by the manufacturer.
- The *storage device* must be drained completely during the dry season (May 1 – September 30) in order to provide the needed capacity for an entire wet season.
- A maintenance log should be kept on site with the aforementioned information and dates of maintenance performance. City of Renton inspection staff may request to view the maintenance log at any time.

### **RECORDING REQUIREMENT**

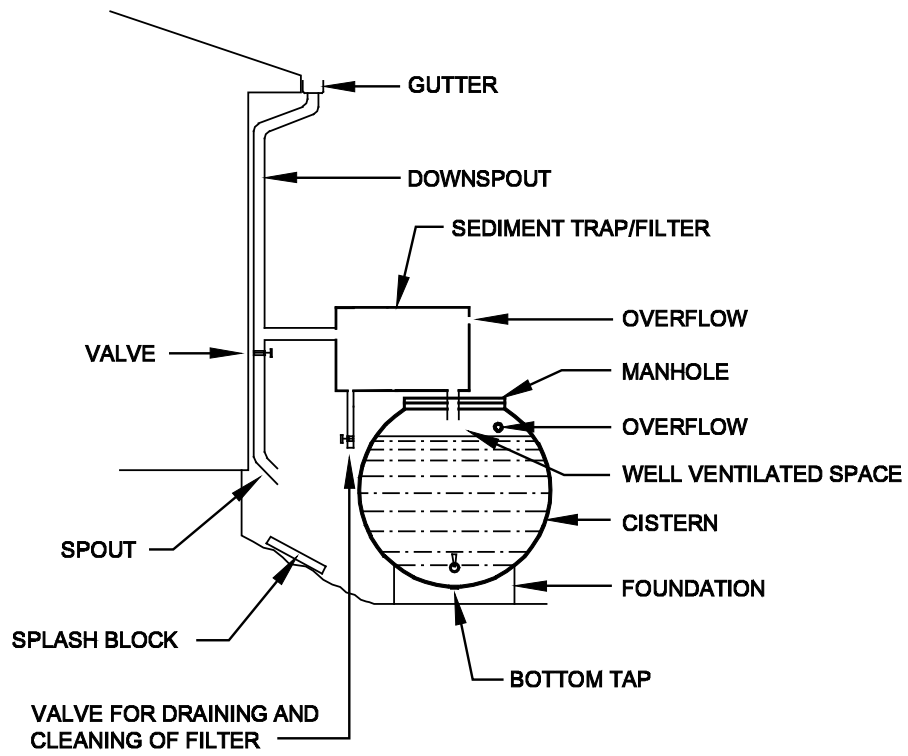
These rainwater harvesting on-site BMP maintenance and operation instructions must be recorded as an attachment to the required **declaration of covenant and grant of easement** per Requirement 3 of Section C.1.3.4 of the City of Renton *Surface Water Design Manual*. The intent of these instructions is to explain to future property owners, the purpose of the BMP and how it must be maintained and operated. These instructions are intended to be a minimum; the City of Renton may require additional instructions based on site-specific conditions. See the City of Renton’s Surface Water Design Manual website for additional information and updates.

### **RAINWATER HARVESTING SYSTEM DESIGN REQUIREMENTS:**

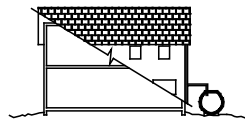
- To ensure the system functions as designed and provides the required stormwater management, system-specific maintenance and operation instructions must be submitted with the small project drainage plan and approved by the City of Renton. Such instructions should be prepared by the system’s manufacturer or installer.
- A minimum 5-foot setback shall be maintained between any part of the rainwater harvesting system and any property line.



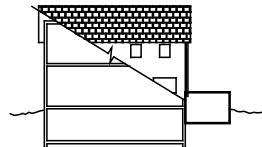
**TYPICAL ABOVE GROUND RESERVOIR CONFIGURATION (STENSROD, 1978)**



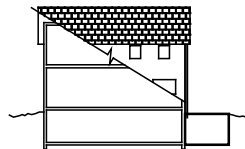
**VARIOUS POSSIBLE CONFIGURATIONS (TYPICAL) (STENSROD, 1978)**



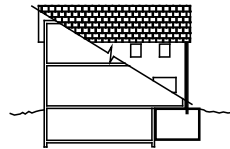
RESERVOIR ABOVE GROUND  
(INSULATE IF NECESSARY)



PARTIALLY BURIED RESERVOIR



RESERVOIR BURIED OUTSIDE  
BASEMENT



RESERVOIR IN BASEMENT

## **MAINTENANCE INSTRUCTIONS FOR VEGETATED ROOFS**

Your property contains an on-site BMP (best management practice) called a “*vegetated roof*,” which was installed to minimize the stormwater runoff impacts of the impervious surfaces on your property.

Vegetated roofs (also called green roofs) consist of a pervious growing medium, plants, and a moisture barrier. The benefits of this device are a reduction in runoff peaks and volumes due to the storage capabilities of the soil and increased rate of evapotranspiration. This on-site BMP shall be maintained per Appendix A of the City of Renton’s Surface Water Design Manual.

### **MAINTENANCE RESTRICTIONS**

- The composition and area of vegetated roof as depicted by the site plan and design details must be maintained and may not be changed without written approval from the City of Renton or through a future development permit from the City of Renton.
- Vegetated roofs must not be subject to any use that would significantly compact the soil.

### **INSPECTION FREQUENCY AND MAINTENANCE GUIDELINES**

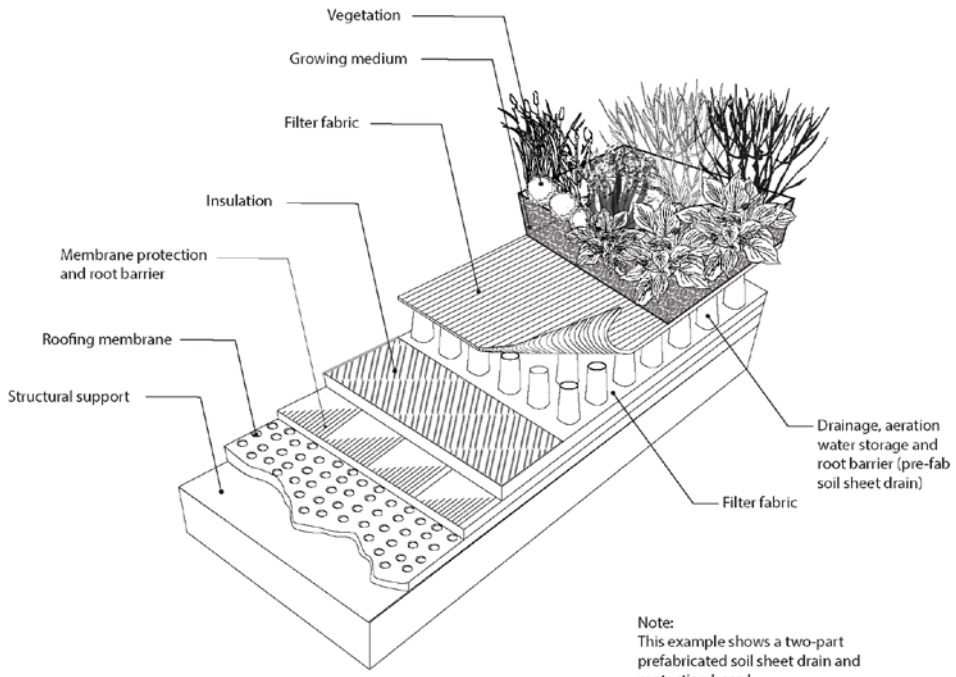
Vegetated roofs (also called green roofs) consist of a *pervious growing medium, plants, and a moisture barrier*:

- Vegetated roofs must be inspected annually for physical defects and to make sure the vegetation is in good condition.
- If erosion channels or bare spots are evident, they should be stabilized with additional soil similar to the original material.
- A supplemental watering program may be needed the first year to ensure the long-term survival of the roof’s vegetation.
- Vegetation should be maintained as follows:
  - (1) Vegetated roofs must not be subject to any use that would significantly compact the soil;
  - (2) Replace all dead vegetation as soon as possible;
  - (3) Remove fallen leaves and debris;
  - (4) Remove all noxious vegetation when discovered;
  - (5) Manually weed without herbicides or pesticides

### **RECORDING REQUIREMENT**

These vegetated roof on-site BMP maintenance and operation instructions must be recorded as an attachment to the required **declaration of covenant and grant of easement** per Requirement 3 of Section C.1.3.4 of the City of Renton *Surface Water Design Manual*. The intent of these instructions is to explain to future property owners, the purpose of the BMP and how it must be maintained and operated. These instructions are intended to be a minimum; the City of Renton may require additional instructions based on site-specific conditions. See the City of Renton’s Surface Water Design Manual website for additional information and updates.

# TYPICAL VEGETATED ROOF CROSS-SECTION



Note:  
This example shows a two-part prefabricated soil sheet drain and protection board

**MAINTENANCE INSTRUCTIONS FOR REDUCED IMPERVIOUS SURFACE  
BMP: RESTRICTED FOOTPRINT**

Your property contains an on-site BMP (best management practice) known as “*restricted footprint*,” the practice of *restricting the amount of impervious surface that may be added* to a property so as to minimize the stormwater runoff impacts caused by impervious surface.

**MAINTENANCE RESTRICTIONS**

The **total impervious surface** on your property **may not exceed** \_\_\_\_\_ square feet without written approval from the City of Renton or through a future development permit from the City of Renton.

**RECORDING REQUIREMENT**

These reduced impervious surface on-site BMP maintenance and operation instructions must be recorded as an attachment to the required **declaration of covenant and grant of easement** per Requirement 3 of Section C.1.3.4 of the City of Renton *Surface Water Design Manual*. The intent of these instructions is to explain to future property owners, the purpose of the BMP and how it must be maintained and operated. These instructions are intended to be a minimum; the City of Renton may require additional instructions based on site-specific conditions. See the City of Renton’s Surface Water Design Manual website for additional information and updates.

## **MAINTENANCE INSTRUCTIONS FOR REDUCED IMPERVIOUS SURFACE BMP: WHEEL STRIP DRIVEWAY**

Your property contains an on-site BMP (best management practice) called a “*wheel strip driveway*,” which was installed to minimize or mitigate for the stormwater runoff impacts of some or all of the impervious surfaces on your property.

### **MAINTENANCE RESTRICTIONS**

The placement and composition of the wheel strip driveway as depicted by the site plan and design details must be maintained and may not be changed without written approval from the City of Renton or through a future development permit from the City of Renton.

### **RECORDING REQUIREMENT**

These reduced impervious surface on-site BMP maintenance and operation instructions must be recorded as an attachment to the required **declaration of covenant and grant of easement** per Requirement 3 of Section C.1.3.4 of the City of Renton *Surface Water Design Manual*. The intent of these instructions is to explain to future property owners, the purpose of the BMP and how it must be maintained and operated. These instructions are intended to be a minimum; the City of Renton may require additional instructions based on site-specific conditions. See the City of Renton’s Surface Water Design Manual website for additional information and updates.

### **WHEEL STRIP DRIVEWAY DESIGN REQUIREMENTS for the typical 10-foot driveway width:**

- The two **pavement strips** must be no more than 2.5 feet wide.
- At least 4 feet of the 10-foot driveway width must be **amended soil planted with grass**.
- The **amended soil** must consist of at least 4 inches of well-rotted compost tilled into the upper 8 inches of the soil between the impervious strips.

## **MAINTENANCE INSTRUCTIONS FOR REDUCED IMPERVIOUS SURFACE BMP: MINIMUM DISTURBANCE FOUNDATION**

Your property contains an on-site BMP (best management practice) known as a “*minimum disturbance foundation*,” which was installed to minimize or mitigate for the stormwater runoff impacts of some or all of the impervious surfaces on your property.

This means that all or a portion of the finished living space in your house is elevated over a pervious surface through the use of piers or piles. The pervious surface is intended to provide additional capacity to absorb and store the stormwater runoff from your roof and surrounding areas.

### **MAINTENANCE RESTRICTIONS**

- The design of this system as depicted by the site plan and design details must be maintained and may not be changed without written approval from the City of Renton or through a future development permit from the City of Renton.
- In addition, the pervious surface beneath the elevated portion of your house must not be used in manner that compacts the soil or provides an opportunity for pollutants to enter the soil or storm runoff.

### **RECORDING REQUIREMENT**

These reduced impervious surface on-site BMP maintenance and operation instructions must be recorded as an attachment to the required **declaration of covenant and grant of easement** per Requirement 3 of Section C.1.3.4 of the City of Renton *Surface Water Design Manual*. The intent of these instructions is to explain to future property owners, the purpose of the BMP and how it must be maintained and operated. These instructions are intended to be a minimum; City of Renton may require additional instructions based on site-specific conditions. See the City of Renton’s Surface Water Design Manual website for additional information and updates.

### **MINIMUM DISTURBANCE FOUNDATION DESIGN REQUIREMENTS**

- The **pervious surface beneath** the elevated portion of the structure must be either undisturbed native soil or amended soil. Any amended soil must consist of at least 4 inches of well-rotted compost tilled into the upper 8 inches of the soil.
- **Runoff** from the structure must be discharged via downspouts or sheet flow onto a vegetated surface or into a 4- to 6-inch gravel bed within close proximity of the elevated structure. Runoff discharging from downspouts onto a vegetated surface must be via splash blocks.

## **MAINTENANCE INSTRUCTIONS FOR REDUCED IMPERVIOUS SURFACE BMP: OPEN GRID DECKING OVER PERVIOUS SURFACE**

Your property contains an on-site BMP (best management practice) called “*open grid decking over pervious surface*,” which was installed to minimize or mitigate for the stormwater runoff impacts of some or all of the impervious surfaces on your property.

The decking has evenly spaced openings that allow rain water to reach the uncompacted soil below, where it has an opportunity to soak into the ground.

### **MAINTENANCE RESTRICTIONS**

- The area and openings of the decking as depicted by the site plan and design details must be maintained and may not be changed without written approval from the City of Renton or through a future development permit from the City of Renton.
- In addition, the pervious surface beneath the decking must not be used in manner that compacts the soil.

### **INSPECTION FREQUENCY AND MAINTENANCE GUIDELINES**

- Check monthly or as needed (e.g., weekly during the autumn season) to assure openings in the decking are not blocked and are draining freely. Sweep and/or vacuum as needed.
- Avoid the use of chemicals or other pollutants on the deck where they have an opportunity to pass through the decking and soak into the ground.

### **RECORDING REQUIREMENT**

These reduced impervious surface on-site BMP maintenance and operation instructions must be recorded as an attachment to the required **declaration of covenant and grant of easement** per Requirement 3 of Section C.1.3.4 of the City of Renton *Surface Water Design Manual*. The intent of these instructions is to explain to future property owners, the purpose of the BMP and how it must be maintained and operated. These instructions are intended to be a minimum; the City of Renton may require additional instructions based on site-specific conditions. See the City of Renton’s Surface Water Design Manual website for additional information and updates.

### **OPEN GRID DECKING DESIGN REQUIREMENTS:**

- The pervious surface beneath the decking must be either undisturbed native soil or amended soil.
- Any amended soil must consist of at least 4 inches of well-rotted compost tilled into the upper 8 inches of the soil.

## **MAINTENANCE INSTRUCTIONS FOR NATIVE GROWTH RETENTION CREDIT**

Your property contains an on-site BMP (best management practice) known as “*native growth retention*,” the practice of preserving a portion of a property in a native vegetated condition (e.g., forest) so as to minimize increases in stormwater runoff from clearing and to offset the stormwater runoff impacts caused by impervious surfaces on your property.

This native vegetated area on your property was *set aside by covenant* as “native growth retention area.” This on-site BMP shall be maintained per Appendix A of the City of Renton’s Surface Water Design Manual.

### **MAINTENANCE RESTRICTIONS**

The “**native growth retention area**” is delineated on the site plan attached to the covenant. The trees, vegetation, ground cover, and soil conditions in this area may not be disturbed, except as allowed by the following provisions:

1. Trees may be harvested in accordance with a King County-approved forest management plan if approved by King County prior to annexation to the City.
2. Individual trees that have a structural defect due to disease or other defects, and which threaten to damage a structure, road, parking area, utility, or place of employment or public assembly, or block emergency access, may be topped, pruned, or removed as needed to eliminate the threat.
3. Dead or fallen trees, tree limbs within ten feet of the ground, and branches overhanging a residence may be removed to reduce the danger of wildfire.
4. Noxious weeds (i.e., plant species listed on the State noxious weed list in Chapter 16-750 WAC) and invasive vegetation (i.e., plant species listed as obnoxious weeds on the noxious weed list adopted by King County) may be removed.
5. Passive recreation uses and related facilities, including pedestrian, equestrian community and bicycle trails, nature viewing areas, fishing and camping areas, and other similar uses that do not require permanent structures, are allowed if clearing and soil compaction associated with these uses and facilities does not exceed eight percent of the native growth retention area.

### **RECORDING REQUIREMENT**

These native growth retention credit on-site BMP maintenance and operation instructions must be recorded as an attachment to the required **declaration of covenant and grant of easement** per Requirement 3 of Section C.1.3.4 of the City of Renton *Surface Water Design Manual*. The intent of these instructions is to explain to future property owners, the purpose of the BMP and how it must be maintained and operated. These instructions are intended to be a minimum; the City of Renton) may require additional instructions based on site-specific conditions. See the City of Renton’s Surface Water Design Manual website for additional information and updates.



## **MAINTENANCE INSTRUCTIONS FOR A PERFORATED PIPE CONNECTION**

Your property contains an on-site BMP (best management practice) called a “*perforated pipe connection*,” which was installed to reduce the stormwater runoff impacts of some or all of the impervious surface on your property.

A perforated pipe connection is a length of drainage conveyance pipe with holes in the bottom, designed to “leak” runoff, conveyed by the pipe, into a gravel filled trench where it can be soaked into the surrounding soil. The connection is intended to provide opportunity for infiltration of any runoff that is being conveyed from an impervious surface (usually a roof) to a local drainage system such as a ditch or roadway pipe system. This on-site BMP shall be maintained per Appendix A of the City of Renton’s Surface Water Design Manual.

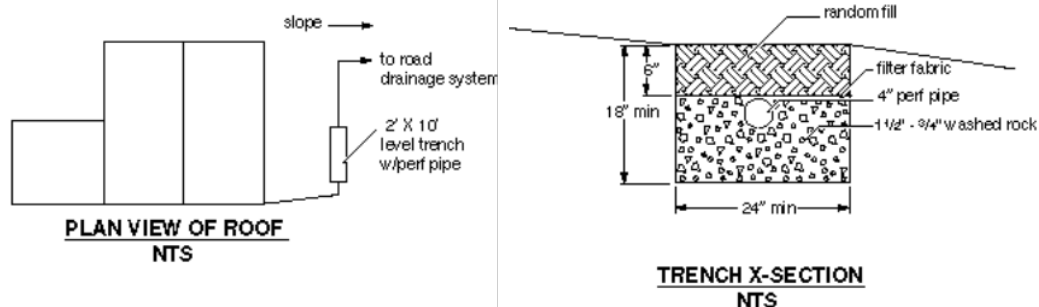
### **MAINTENANCE RESTRICTIONS**

- The size and composition of the perforated pipe connection as depicted by the site plan and design details must be maintained and may not be changed without written approval from the City of Renton or through a future development permit from the City of Renton.
- The soil overtop of the perforated portion of the system must not be compacted or covered with impervious materials.

### **RECORDING REQUIREMENT**

These **perforated pipe connection** on-site BMP maintenance and operation instructions must be recorded as an attachment to the required **declaration of covenant and grant of easement** per Requirement 3 of Section C.1.3.4 of the City of Renton *Surface Water Design Manual*. The intent of these instructions is to explain to future property owners, the purpose of the BMP and how it must be maintained and operated. These instructions are intended to be a minimum; the City of Renton may require additional instructions based on site-specific conditions. See the City of Renton’s Surface Water Design Manual website for additional information and updates.

### **TYPICAL PERFORATED PIPE CONNECTION FOR A SINGLE FAMILY RESIDENCE**



## **MAINTENANCE INSTRUCTIONS FOR SOIL AMENDMENT**

Your property contains an on-site BMP (best management practice) called “*soil amendment*,” which was installed to mitigate the stormwater quantity and quality impacts of some or all of the pervious surfaces on your property.

Soil amendment is a method of regaining greater stormwater functions in the post development landscape by increasing treatment of pollutants and sediments, and minimizing the need for some landscaping chemicals. To be successful, the soil condition must be able to soak water into the ground for a reasonable number of years. This on-site BMP shall be maintained per Appendix A of the City of Renton’s Surface Water Design Manual.

### **MAINTENANCE RESTRICTIONS**

The size, placement, and composition of these devices as depicted by the site plan and design details must be maintained and may not be changed without written approval from the City of Renton or through a future development permit from the City of Renton.

### **INSPECTION FREQUENCY AND MAINTENANCE GUIDELINES**

To be successful, the soil must be able to soak water into the ground for a reasonable number of years.

- Return leaf fall and shredded woody materials from the landscape to the site when possible in order to replenish soil nutrients and structure.
- On turf areas, “grasscycle” (mulch-mow or leave the clippings) to build turf health.
- Maintain 2 to 3 inches of mulch over bare areas in landscape beds.
- Re-seed bare turf areas until the vegetation fully covers the ground surface.
- Avoid using pesticides (bug and weed killers) which damage the soil.
- Where fertilization is needed (mainly turf and annual flower beds), a moderate fertilization program should be used which relies on compost, natural fertilizers, or slow-release synthetic balanced fertilizers.

### **RECORDING REQUIREMENT**

These on-site BMP maintenance and operation instructions must be recorded as an attachment to the required **declaration of covenant and grant of easement** per Requirement 3 of Section C.1.3.4 of the City of Renton *Surface Water Design Manual*. The intent of these instructions is to explain to future property owners, the purpose of the BMP and how it must be maintained and operated. These instructions are intended to be a minimum; the City of Renton may require additional instructions based on site-specific conditions. See the City of Renton’s Surface Water Design Manual website for additional information and updates.

## **MAINTENANCE INSTRUCTIONS FOR TREE RETENTION**

Your property contains an on-site BMP (best management practice) called “*tree retention*,” which was installed to mitigate the stormwater quantity and quality impacts of some or all of the impervious surfaces on your property.

Tree retention provides flow control via interception, transpiration, and increased infiltration. This on-site BMP shall be maintained per Appendix A of the City of Renton’s Surface Water Design Manual.

### **MAINTENANCE RESTRICTIONS**

The size, placement, and composition of these devices as depicted by the site plan and design details must be maintained and may not be changed without written approval from the City of Renton or through a future development permit from the City of Renton.

### **INSPECTION FREQUENCY AND MAINTENANCE GUIDELINES**

To be successful, the soil must be able to soak water into the ground for a reasonable number of years.

- Trees should be pruned in an appropriate manner for each species.
- Pruning should be performed by landscape professionals familiar with proper pruning techniques.
- Dead trees shall be replaced with like species within 30 days (as practical depending on weather/planting season).

### **RECORDING REQUIREMENT**

These on-site BMP maintenance and operation instructions must be recorded as an attachment to the required **declaration of covenant and grant of easement** per Requirement 3 of Section C.1.3.4 of the City of Renton *Surface Water Design Manual*. The intent of these instructions is to explain to future property owners, the purpose of the BMP and how it must be maintained and operated. These instructions are intended to be a minimum; the City of Renton may require additional instructions based on site-specific conditions. See the City of Renton’s Surface Water Design Manual website for additional information and updates.

*(This page intentionally left blank.)*

---

**CITY OF RENTON**  
**SURFACE WATER DESIGN MANUAL**

---

**REFERENCE 9**

**INTERIM CHANGES TO REQUIREMENTS**

**9-A BLANKET ADJUSTMENTS**

None at this time.

**9-B ADMINISTRATIVE CHANGES**

Does not apply to the City.

---

*(This page intentionally left blank.)*

---

**CITY OF RENTON**  
**SURFACE WATER DESIGN MANUAL**

---

**REFERENCE 10**

**KING COUNTY-IDENTIFIED  
WATER QUALITY PROBLEMS**

Does not apply to the City.

---

*(This page intentionally left blank.)*



---

**CITY OF RENTON**  
**SURFACE WATER DESIGN MANUAL**

---

**REFERENCE 11**

**MATERIALS**

**11-A VACANT**

No text association with this section.

**11-B VACANT**

No text association with this section.

**11-C BIORETENTION SOIL MEDIA STANDARD SPECIFICATIONS**

See attached.

**11-D VACANT**

No text association with this section.

**11-E ROOFING ERODIBLE OR LEACHABLE MATERIALS**

See attached.

---

*(This page intentionally left blank.)*

**CITY OF RENTON**  
**SURFACE WATER DESIGN MANUAL**

---

**REFERENCE 11-C**

**BIORETENTION SOIL MEDIA STANDARD  
SPECIFICATIONS**

---

*(This page intentionally left blank.)*

# REFERENCE 11-C

## BIORETENTION SOIL MEDIA STANDARD SPECIFICATIONS

### 11-C.1 COMPOST

Compost products shall be the result of the biological degradation and transformation of uncontaminated biological organic materials under controlled conditions designed to promote aerobic decomposition. Compost shall be stable with regard to oxygen consumption, carbon dioxide generation, and seed germination and seedling vigor. Compost shall be mature with regard to its suitability for use in stormwater facilities and BMPs, post-construction soil amendment, general landscaping, or an erosion control BMP as defined below.

Compost shall be tested at a minimum in accordance with the U.S. Composting Council “Testing Methods for the Examination of Compost and Composting” (TMECC), as established in the Composting Council’s “Seal of Testing Assurance” (STA) program. Most Washington compost facilities now use these tests. All tests must be done on compost screened to specification for its intended use.

#### 11-C.1.A SPECIFICATION 1 COMPOST

1. Compost must be produced at a facility that is permitted by the jurisdictional health authority. Permitted compost facilities in Washington are included on a list available at <http://www.ecy.wa.gov/programs/swfa/organics/soil.html>.
2. Compost must meet the definition of “composted material” in WAC 173-350-100, and must comply with testing parameters and other standards including not exceeding contaminant limits identified in Table 220-B. Testing Parameters, in WAC 173-350-220; and “Physical contaminants” (as defined in WAC 173-350-100) content less than 1% by weight (TMECC 03.08-A) total, not to exceed 0.25 percent film plastic by dry weight.
3. The compost product must originate a minimum of 65 percent by volume from recycled plant waste comprised of “yard debris,” “crop residues,” and “bulking agents” as those terms are defined in WAC 173-350-100. A maximum of 35 percent by volume of “post-consumer food waste” as defined in WAC 173-350-100 may be substituted for recycled plant waste. Biosolids, manure, and/or bedding straw or wood chips or shavings containing animal excreta are not allowed.
4. Wood waste from chemically treated lumber and manufactured wood products containing adhesives or any other chemical is not allowed; painted and stained wood are not allowed; and only sawdust from virgin lumber allowed. No other toxic or otherwise harmful materials are allowed.
5. For *high-density residential subdivision development, multi-family, commercial, and industrial projects, and road projects considered high ADT projects*,<sup>1</sup> the Manufacturer or Vendor shall provide to the end buyer a list of feedstock sources by percentage by volume in the final compost product.
6. Compost shall have a moisture content that has no visible free water or dust produced when handling the material.

<sup>1</sup> Land uses as described in Bullets 1, 2, and 3, SWDM Section 1.2.8.1, Subsection A “Basic WQ Treatment Areas, Required Treatment Menu.”

7. Compost shall have an organic matter content of 40 percent to 65 percent by dry weight as determined by loss of ignition test method ASTM D 2974, or by U.S. Composting Council TMECC 05.07A “Loss-On-Ignition Organic Matter Method (LOI).”
8. Compost shall have a carbon to nitrogen ratio below 25:1, although the carbon to nitrogen ratio may be as high as 35:1 for plantings composed entirely of plants native to the Puget Sound Lowlands region. The carbon to nitrogen ratio shall be calculated on a dry weight basis using TMECC 5.02A (“Carbon to Nitrogen Ratio”), which uses TMECC 04.01A, “Organic Carbon” divided by the dry weight of “Total N” (TMECC 04.02D).
9. Compost pH shall be between 6.0 and 8.5 when tested in accordance with U.S. Composting Council TMECC 04.11-A, “1:5 Slurry pH.”
10. Soluble salt content shall be less than 4.0 dS/m (mmhos/cm) when tested in accordance with U.S. Composting Council TMECC 04.10 “Electrical Conductivity, 1:5 Slurry Method, Mass Basis.”
11. Compost maturity indicators from a cucumber bioassay (TMECC 05.05-A “Germination Seedling Emergence and Relative Growth) must be greater than 80% for both emergence and vigor”).
12. Stability shall be 7-mg CO<sub>2</sub> – C/g OM/day or below in as determined by U.S. Composting Council TMECC 05.08-B “Carbon Dioxide Evolution Rate,” to establish low oxygen use and low CO<sub>2</sub> generation rates.

Compost shall be screened to the Fine Compost size gradation specification in Section 11-C.1.C of this Reference.

### 11-C.1.B SPECIFICATION 2 COMPOST

1. Specification 2 Compost manufacturing, feedstocks, and testing are all identical to Specification 1 Compost except that:
  - a) A maximum of 35 percent by volume of biosolids or manure may be substituted for recycled plant waste.
  - b) Compost may be fine or coarse gradation depending on use and need to meet other screened material quality criteria.
  - c) Carbon to Nitrogen ratio may be up to 40:1 for coarse compost to be used as a surface mulch (not in a soil mix).

### 11-C.1.C COMPOST SCREENING SIZE GRADATIONS

Where compost gradation is specified, it must meet the following size gradations when tested in accordance with the U.S. Composting Council “Test Methods for the Examination of Compost and Composting” (TMECC) Test Method 02.02-B.

**Fine Compost** shall meet the following gradation by dry weight:

Minimum percent passing 2" sieve	100%
Minimum percent passing 1" sieve	99%
Minimum percent passing 5/8" sieve	90%
Minimum percent passing 1/4" sieve	75%

**Coarse Compost** shall meet the following gradation by dry weight:

Minimum Percent passing 3" sieve	100%
Minimum Percent passing 1" sieve	90%
Minimum Percent passing 3/4" sieve	70%
Minimum Percent passing 1/4" sieve	40%

## 11-C.1.D COMPOST ACCEPTANCE REQUIREMENTS

The Contractor shall submit the following information to the King County Department of Permitting and Environmental Review (DPER) Engineer for approval:

1. If the manufacturer is not exempt under Table 220-A, “Terms and Conditions for Solid Waste Permit Exemptions,” a copy of the Solid Waste Handling Permit issued to the compost manufacturer by the Jurisdictional Health Department in accordance with WAC 173-350 (Minimum Functional Standards for Solid Waste Handling) or for biosolids composts a copy of the Coverage Under the General Permit for Biosolids Management issued to the manufacturer by the Department of Ecology in accordance with WAC 173-308 (Biosolids Management).
2. The Applicant shall provide written verification and lab analyses that the material complies with the processes, testing, and standards specified in WAC 173-350 and these Specifications. An independent Seal of Testing Assurance (STA) Program certified laboratory<sup>2</sup> or a laboratory accredited by WA Ecology<sup>3</sup> for the specified methods shall perform the analyses. Lab analysis shall be for the compost delivered on site for project use.
3. A copy of the STA laboratory’s Seal of Testing Assurance STA certification as issued by the U.S. Composting Council, or a copy of the Ecology-certified laboratory’s accreditation for the specified methods.

## 11-C.2 BIORETENTION SOIL MIX SPECIFICATIONS

Follow the specification below for the approved default bioretention soil mix. Alterations to this specification require an approved adjustment.

### 11-C.2.A DEFAULT BIORETENTION SOIL MIX

Bioretention Soil Mix (BSM) shall be a well-blended homogeneous mixture of Bioretention Mineral Aggregate and Bioretention Compost measured on a volume basis composed of:

- 35 to 40 percent by volume Specification 1 Compost per Section 11-C.1.A above and Section 11-C.2.B below.
- 60 to 65 percent by volume Bioretention Mineral Aggregate per Section 11-C.2.C below.

Projects which prefer to create a custom Bioretention Soil Mix rather than using the default requirement above must demonstrate compliance with criteria as described in Ecology’s *Stormwater Management Manual for Western Washington (2014) Volume V – Runoff Treatment BMPs*, except that any more stringent compost criteria required by this Reference 11-C are applicable.

### 11-C.2.B BIORETENTION COMPOST

Bioretention Compost shall be Specification 1, Fine Compost per Sections 11-C.1.A and 11-C.1.C of this Reference. Fine Specification 1 Compost shall be used for Bioretention Soil Mix and for any compost used to amend bioretention cell soil.

<sup>2</sup> A list of STA certified laboratories can be found at <<http://compostingcouncil.org/labs/>>.

<sup>3</sup> A list of WA Ecology accredited laboratories can be found at <<http://www.ecy.wa.gov/programs/eap/labs/>>. Only laboratories certified for the specified methods may be used for compost testing.

## 11-C.2.C BIORETENTION SOIL MIX AGGREGATE

### Aggregate Gradation

The following table provides a gradation guideline for the aggregate component of a Bioretention Soil Mix specification in western Washington. This sand gradation is often supplied as a well-graded utility or screened. With compost, this blend provides enough fines for adequate water retention, hydraulic conductivity within recommended range (see below), pollutant removal capability, and plant growth characteristics for meeting design guidelines and objectives.

TABLE 11-C.2.A BIORETENTION SOIL MIX MINERAL AGGREGATE GRADATION	
Sieve Size	Percent Passing
3/8"	100
#4	95–100
#10	75–90
#40	25–40
#100	4–10
#200	2–4

Where existing soils meet the above aggregate gradation, those soils may be amended rather than importing mineral aggregate.

## 11-C.3 BIORETENTION MULCH

Mulch may only be composed of either chipped wood as defined in Section 11-C.3.A, or compost as defined in Section 11-C.3.B. Mulch may not be made of synthetic materials including but not limited to recycled tire material, virgin rubber material, plastics; or pre-or post-consumer cardboard.

### 11-C.3.A ARBORIST’S WOOD CHIP MULCH

Arborist Wood Chip Mulch shall be coarse ground wood chips (approximately 1/2" to 6" along the longest dimension) derived from the mechanical grinding or shredding of the above-ground portions of trees. It may contain wood, wood fiber, bark, branches, and leaves, but may not contain visible amounts of soil. It shall be free of weeds and weed seeds including but not limited to plants on the King County Noxious Weed list available at: <[www.kingcounty.gov/weeds](http://www.kingcounty.gov/weeds)>, and shall be free of invasive plant portions capable of re-sprouting, including but not limited to horsetail, ivy, clematis, knotweed, etc. It may not contain more than 0.5% by dry weight of manufactured inert material (plastic, concrete, ceramics, metal, etc.).

Arborist Wood Chip Mulch, when tested, shall meet the following loose volume gradation:

TABLE 11-C.3.A ARBORIST WOOD MULCH GRADATION	
Sieve Size	Percent Passing
1 inch	100
2"	95–100
1"	70–100
5/8	0–50
No. 4	0 – 30



Prior to delivery, the Applicant shall provide the following:

1. The source of the product and species of trees included in it;
2. A sieve analysis verifying the product meets the above size gradation requirement;
3. A representative sample of the product for County approval.

### **11-C.3.B COMPOST MULCH SPECIAL REQUIREMENTS**

- Compost Mulch for Bioretention must meet the **Specification 1** compost requirements of Section 11-C.1.A, except that the gradation must be **Coarse Compost** per Section 11-C.1.C
- Compost Mulch for other facilities and BMPs must meet either **Specification 1 or Specification 2** compost of Section 11-C.1.A or 11-C.1.B respectively, except that the gradation must be **Coarse Compost** per Section 11-C.1.C.

*(This page intentionally left blank.)*

**CITY OF RENTON**  
**SURFACE WATER DESIGN MANUAL**

---

**REFERENCE 11-E**  
**ROOFING ERODIBLE OR LEACHABLE MATERIALS**

---

*(This page intentionally left blank.)*

# REFERENCE 11-E

## ROOFING ERODIBLE OR LEACHABLE MATERIALS

### METAL ROOFING COATING: INERT, NON-LEACHABLE MATERIAL

Metal roofs are considered to be pollution generating impervious surface unless they are coated with PVDF (Polyvinylidene Fluoride) with a manufacturer's 25-year or better guarantee of no metals leaching, and are not subject to venting significant amounts of dusts, mists, or fumes from manufacturing, commercial, or other indoor activities.

### NON-METAL ROOFING TYPES THAT MAY POSE RISK BUT ARE NOT CURRENTLY REGULATED

The following roof types are currently not regulated as pollution generating surfaces, but there is some evidence that they may pose risks to water quality. This information is provided to assist the public in making more informed choices.

These roof types include any roofing manufactured or treated with biocides for moss, algae, rot, or plant control; i.e., those containing any heavy metal such as copper, lead, zinc, silver, or arsenic, or organic biocides such as (R,S)-mecoprop bi-ester<sup>4</sup> and terbutryn, carbendazim, and Irgarol 1051<sup>5</sup>.

Other roof types that may pose risk include synthetic roofing materials that use zinc or any other leachable heavy metal as a manufacturing catalyst or for any other purpose, any roofing material containing any heavy metal as a UV stabilizer or for pigmentation<sup>6</sup>. Phthalates have also been noted as leaching from some synthetic roofing.

#### ❑ SPECIFIC EXAMPLES OF NON-METAL AND COATED METAL ROOFS FOR WHICH THERE IS DOCUMENTED EVIDENCE, OF SOME RUNOFF RISK

##### Roofs with Potential Risk Based on Regional Monitoring of Regionally Supplied Materials<sup>7,8</sup>

- Asphalt shingles with algae resistance (AR)
- EPDM (ethylene propylene diene monomer)

<sup>4</sup> Bucheli, Thomas D., Stephan R. Müller, Andreas Voegelin, and René P. Schwarzenbach. 1998. Bituminous Roof Sealing Membranes as Major Sources of the Herbicide (R,S)-Mecoprop in Roof Runoff Waters: Potential Contamination of Groundwater and Surface Waters. *Environmental Science & Technology* 32 (22):3465-3471.

<sup>5</sup> Background literature review in support of the regional study by Ecology. Winters, Nancy. 2013. Quality Assurance Project Plan. Roofing Materials Assessment: Investigation of Toxic Chemicals in Roof Runoff. Publication No. 13-03-105. Lacey, WA: Washington State Department of Ecology.

<sup>6</sup> Polybrominated diphenyl ethers (PBDE) or other fire retardants may be an issue in Central and Eastern Washington, but according to manufacturers on Ecology's Roofing Task Force, these are not applied in Western Washington.

<sup>7</sup> Materials provided by Western Washington manufacturers and/or vendors. First year of study. Winters, Nancy, and Kyle Graunke. 2014. Roofing Materials Assessment – Investigation of Toxic Chemicals in Roof Runoff. Lacey, WA. <<https://fortress.wa.gov/ecy/publications/SummaryPages/1403003.html>>.

<sup>8</sup> Materials provided by Western Washington manufacturers and/or vendors. Winters, Nancy, Melissa McCall, and Allison Kingfisher. 2014. Roofing Materials Assessment – Investigation of Toxic Chemicals in Roof Runoff from Constructed Panels in 2013 and 2014. Publication No. 14-03-033. Lacey, WA.

- Manufacturer-painted galvanized steel, painted with silicone-modified polyester paint<sup>9,7</sup>
- PVC (polyvinyl chloride)
- Treated wood shakes

#### **Roofs with Potential Risk Based on Other Studies<sup>9</sup>**

- Asphalt shingles
- Asphalt fiberglass shingles
- Asphalt (residential)
- Asphalt impregnated with copper
- Asphalt roofs with moss-control zinc strips
- Bituminous roof sealing membrane for green roof, treated to inhibit root penetration
- Built-up commercial
- Built-up with coal tar
- Cedar shakes
- Ceramic tile
- Clay tile
- Concrete tile
- Ethylene propylene diene monomer (EPDM or rubber roofing)
- Galfan (aluminum-coated)
- Gravel
- Impregnated wood
- Ondura
- Painted steel
- Pressure treated/water sealed wood
- Polyester
- Polyvinyl Chloride (PVC)
- Synthetic roofing materials, e.g., thermoplastic olefin (TPO)
- Rubber
- Treated roofing materials (non-specific as cited)
- Vegetated roof
- Wood shingle

---

<sup>9</sup> Background literature review in support of the regional study by Ecology. Winters, Nancy. 2013. Quality Assurance Project Plan. Roofing Materials Assessment: Investigation of Toxic Chemicals in Roof Runoff. Publication No. 13-03-105. Lacey, WA: Washington State Department of Ecology.

---

**CITY OF RENTON**

**SURFACE WATER DESIGN MANUAL**

---

**REFERENCE 12**

**VACANT**

No text associated with this section.

---

*(This page intentionally left blank.)*



---

**CITY OF RENTON**

**SURFACE WATER DESIGN MANUAL**

---

**REFERENCE 13**

**VACANT**

No text associated with this section.

---

*(This page intentionally left blank.)*

---

**CITY OF RENTON**

**SURFACE WATER DESIGN MANUAL**

---

**REFERENCE 14**

**SUPPLEMENTAL APPROVED FACILITIES**

**14-A CITY OF RENTON APPROVED PROPRIETARY FACILITIES  
FOR USE ON PRIVATE DEVELOPMENT PROJECTS**

**14-B CITY OF RENTON APPROVED PROPRIETARY FACILITIES  
FOR USE IN PUBLIC PROJECTS**

---

*(This page intentionally left blank.)*

# REFERENCE 14-A

## CITY OF RENTON APPROVED PROPRIETARY FACILITIES FOR USE ON PRIVATE DEVELOPMENT PROJECTS

The proprietary facilities summarized in Table 14.A are approved by the City for use on private development projects. The General Use Level Designation (GULD) letters for each of the approved facilities listed in Table 14.A are included in this reference section. These GULD letters outline the sizing requirements and maintenance requirements for each approved proprietary facility. Appendix A also includes more detailed maintenance information for the proprietary facilities listed in Reference Section 14-B.

**TABLE 14.A PROPRIETARY FACILITIES- CURRENT APPROVALS**

Proprietary Facility Name	Basic WQ	Enhanced Basic WQ	Lake Protection	High-Use	Pretreatment
BayFilter	X				
MWS-Linear Modular Wetland	X	X	X		
Filterra System	X	X	X	X	
Filterra Bioscape	X	X	X	X	
Media Filtration System	X				
StormFilter using PhosphoSorb Media	X		X		
StormFilter using ZPG Media	X				
FloGard Perk Filter	X		X		
ecoStorm plus	X				
Aqua-Swirl System					X
CDS Stormwater Treatment System					X
Vortechs System					X
Downstream Defender					X
Stormceptor					X
Other Facilities with a General Use Level Designation (GULD)	X	X	X	X	X

*(This page intentionally left blank.)*



May 2016

**GENERAL USE LEVEL DESIGNATION FOR PRETREATMENT  
CONDITIONAL USE LEVEL DESIGNATION FOR BASIC TREATMENT**

**For  
AquaShield™, Inc.'s Aqua-Swirl® Stormwater Treatment System**

**Ecology's Decision:**

Based on AquaShield™, Inc. application submissions, Ecology hereby issues the following use level designations:

1. **General Use Level Designation (GULD) for the Aqua-Swirl® for pretreatment use (a) ahead of infiltration treatment, or (b) to protect and extend the maintenance cycle of a Basic or Enhanced Treatment device (e.g., sand or media filter). This GULD applies to Aqua-Swirl™ units sized at water quality design flow rate of no more than 23 GPM/sf at the Water Quality design flow rate.**
2. **Conditional Use Level Designation (CULD) for the Aqua-Swirl® for standalone Basic (TSS) treatment, sized at a water quality design flow rate of rate of no more than 23 GPM/sf.**
3. **The water quality design flow rates are calculated using the following procedures:**
  - **Western Washington:** for treatment installed upstream of detention or retention, the water quality design flow rate is the peak 15-minute flow rate as calculated using the latest version of the Western Washington Hydrology Model or other Ecology-approved continuous runoff model.
  - **Eastern Washington:** For treatment installed upstream of detention or retention, the water quality design flow rate is the peak 15-minute flow rate as calculated using one of the three methods described in Chapter 2.2.5 of the Stormwater Management Manual for Eastern Washington (SWMMEW) or local manual.
  - **Entire State:** For treatment installed downstream of detention, the water quality design flow rate is the full 2-year release rate of the detention facility.

**Table 1 lists the Standard Aqua-Swirl® Models available. The model designated AS-XX allows for custom designs including multiple (twin) units.**

**Table 1. Standard Aqua-Swirl® Models**

<b>Model</b>	<b>Swirl Chamber Diameter (ft)</b>	<b>Area (ft<sup>2</sup>)</b>
<b>AS-2</b>	<b>2.5</b>	<b>4.9</b>
<b>AS-3</b>	<b>3.3</b>	<b>8.6</b>
<b>AS-4</b>	<b>4.3</b>	<b>14.5</b>
<b>AS-5</b>	<b>5.0</b>	<b>19.6</b>
<b>AS-6</b>	<b>6.0</b>	<b>28.3</b>
<b>AS-7</b>	<b>7.0</b>	<b>38.5</b>
<b>AS-8</b>	<b>8.0</b>	<b>50.3</b>
<b>AS-9</b>	<b>9.0</b>	<b>63.6</b>
<b>AS-10</b>	<b>10.0</b>	<b>78.5</b>
<b>AS-11</b>	<b>11.0</b>	<b>95.0</b>
<b>AS-12</b>	<b>12.0</b>	<b>113.1</b>
<b>AS-13</b>	<b>13.0</b>	<b>132.7</b>
<b>AS-XX*</b>	<b>Custom</b>	

**\* Custom designs to meet site-specific water quality treatment flow. Can include multiple (twin) and custom units.**

**The GULD designation has no expiration date but it may be amended or revoked by Ecology and is subject to the conditions specified below.**

**The CULD expires on November 1, 2018 unless extended by Ecology, and is subject to the conditions specified below.**

**Ecology's Conditions of Use:**

- 1. Design, assemble, install, operate, and maintain Aqua-Swirl® units in accordance with AquaShield™, Inc.'s applicable manuals and documents and the Ecology Decision.**
- 2. AquaShield™, Inc. commits to submitting a QAPP for Ecology review and approval by October 1, 2017 that meets the TAPE requirements for attaining a GULD for basic treatment. The selected field-testing site(s) should reflect the product's treatment intent.**
- 3. AquaShield™, Inc. shall complete all required testing and submit a TER for Ecology review by August 1, 2018.**
- 4. AquaShield™, Inc. may request Ecology to grant deadline or expiration date extensions, upon showing cause for such extensions.**
- 5. Discharges from the Aqua-Swirl® shall not cause or contribute to water quality standards violations in receiving waters.**



**Applicant:** AquaShield™, Inc.

**Applicant's Address:** 2719 Kanasita Drive  
Chattanooga, TN 37343

**Application Documents:**

- Aqua-Filter™ Stormwater Treatment System, Application for Stormwater Quality Treatment Pilot Use Designation (Short-Term) for Basic, Enhanced, Oil, and Treatment Train Treatment in Western Washington submitted to Stan Ciuba, Washington State Department of Ecology (August 21, 2003)
- NJCAT Technology Verification: Aqua-Swirl™ Concentrator and Aqua-Filter™ Stormwater Treatment System (September 2005)
- NJCAT Technology Verification. Aqua-Swirl® Model AS-5 Stormwater Treatment System, AquaShield™, Inc. November 2012
- NJCAT Field Test Verification Report Letter, Aqua-Swirl® Model AS-5, February 15, 2013.

**Applicant's Use Level Request:**

General Use Level Designation as a Basic Treatment device in accordance with Ecology's 2012 Stormwater Management Manual for Western Washington.

**Applicant's Performance Claims:**

Based on laboratory studies, the Aqua-Swirl® Model AS-3, has been shown to have a total suspended solids removal efficiency (measured as suspended sediment concentration) of 60% when operated at 60% of its water quality treatment flow using OK-110 silica with a d<sub>50</sub> particle size of 110 microns, and average influent of 320 mg/L and zero initial sediment loading.

**Ecology's Recommendations:**

Ecology finds that:

- AquaShield™, Inc. qualifies for the opportunity to demonstrate, through field-testing in the Pacific Northwest, whether the Aqua-Swirl® can attain Ecology's Basic treatment goals. The GULD approval for Pre-Treatment using the Aqua-Swirl® remains in effect.

**Findings of Fact:**

1. The Aqua-Swirl<sup>®</sup>, sized at no more than 23 GPM/sf, should provide equivalent performance to a presettling basin as defined in the most recent version of *Stormwater Management Manual for Western Washington, Volume V, Chapter 6 (BMP T6.10)*. Note: This reference applies to use in Eastern Washington as well.
2. Tennessee Tech University completed laboratory testing for removal of US Silica OK-110 silica using an Aqua-Swirl<sup>®</sup> Model AS-3. Laboratory results for this 50 to 125-micron silica showed 80% removal at about 23 GPM/sf operating rate. Estimated annual TSS removal efficiency, based on Portland, ME rainfall, is 91%.
3. Findings from the NJCAT Technology Verification report for field testing an Aqua-Swirl<sup>®</sup> Model AS-5 include:
  - a. Aqua-Swirl<sup>®</sup> monitored 18 storm events in Maryland from 2009 through 2011.
  - b. Influent TSS was greater than 100 mg/L for 8 events. Average annual TSS removal was 86.6 percent.
  - c. Influent TSS was less than 100 mg/L for 10 events. Effluent TSS for all 10 events was less than 20 mg/L.
  - d. Influent particle size was 72 percent silt (based on three samples).
  - e. Aqua-Swirl<sup>®</sup> monitored the system up to a maximum of 41.2 GPM/sf. They maintained an 80 percent removal of TSS per storm event up to approximately 23 GPM/sf.

**Other Aqua-Swirl<sup>®</sup> Related Issues to be Addressed By the Company:**

1. Resuspension: The Aqua-Swirl<sup>®</sup> Model AS-5 field test included 16 storm events at less than 23 GPM/sf. Effluent TSS for these 16 storms was less than 20 mg/L and averaged 7.9 mg/L. Influent TSS ranged from 27.8 to 266.3 mg/L and averaged 125.3 mg/L. Given the lack of resuspension at less than 23 GPM/sf, users can install the Aqua-Swirl<sup>®</sup> off-line or on-line.
2. AquaShield should test the system under normal operating conditions, such as partially filling the swirl concentrator with pollutants. Results obtained for “clean” systems may not be representative of typical performance.

**Technology Description:**

Download at <http://www.aquashieldinc.com>

**Contact Information:**

Applicant:

Mark B. Miller  
AquaShield<sup>™</sup>, Inc.  
888-344-9044

[mmiller@aquashieldinc.com](mailto:mmiller@aquashieldinc.com)

Applicant website:

<http://www.aquashieldinc.com>

Ecology web link: <http://www.ecy.wa.gov/programs/wq/stormwater/newtech/index.html>

Ecology: Douglas C. Howie, P.E.  
Department of Ecology  
Water Quality Program  
(360) 407-6444  
[douglas.howie@ecy.wa.gov](mailto:douglas.howie@ecy.wa.gov)

### Revision History

<b>Date</b>	<b>Revision</b>
November 2006	GULD for Pre-Treatment
August 2007	Document updated
December 2012	Modified Design Storm Description, added Revision Table
October 2013	CULD for Basic Treatment
February 2014	Modified due dates for QAPP and TER, changed expiration date
August 2014	Modified due dates for QAPP and TER, changed expiration date
May 2016	Modified due dates for QAPP and TER, changed expiration date

**Note:**

Some pages in this document have been purposely skipped or blank pages inserted so that this document will copy correctly when duplexed.



January 2016

**GENERAL USE LEVEL DESIGNATION FOR BASIC TREATMENT  
CONDITIONAL USE LEVEL DESIGNATION FOR ENHANCED, AND  
PHOSPHORUS TREATMENT**

**For**

**BaySaver Technologies, LLC BayFilter™**

**Ecology's Decision:**

**1. Based on BaySaver Technologies' application submissions, Ecology hereby issues a Basic Treatment General Use Level Designation (GULD) for the BayFilter™.**

- **As a stormwater treatment device for Basic treatment (TSS) removal.**
- **The Basic Treatment GULD is for both the BayFilter Cartridge (BFC) and Enhanced Media Cartridge (EMC) and limited to the following maximum flow rates:**

**a. BFC Cartridge maximum flow rate of 0.70 gpm/sq ft**

- **30 gpm (0.067 cfs) per cartridge (example dimensions: 26-inches in diameter, 29-inches tall (43 sq ft filter area))**
  - **Canisters that provide 0.70 gpm per sq ft filter area, regardless of dimensions meet this requirement**
- **Media Blend of Silica Sand, Perlite, and Activated Alumina**

**b. EMC Cartridge maximum flow rate of 0.50 gpm/sq ft**

- **45 gpm (0.10 cfs) per cartridge (example dimensions 30-inch diameter, 30-inches tall (90 sq ft filter area))**
  - **Canisters that provide 0.50 gpm per sq ft filter area, regardless of dimensions meet this requirement**
- **75 gpm (0.167 cfs) per cartridge (example dimensions 39-inch diameter, 30-inches tall (150 sq ft filter area))**
  - **Canisters that provide 0.50 gpm per sq ft filter area, regardless of dimensions meet this requirement**

- **Media Blend of Zeolite, Perlite, and Activated Alumina**

**2. Based on BaySaver Technologies' application submissions, Ecology hereby issues a Enhanced and Phosphorus Conditional Use Level Designation (CULD) for the BayFilter™ cartridges.**

- **As a stormwater treatment device for Enhanced treatment (dissolved Cu and dissolved Zn removal) and Phosphorus treatment.**
- **Sized at a design rates no greater than those listed above (GULD (Basic) Flow rates).**

**3. Ecology approves use of BayFilter™ Cartridges for treatment at the above flow rates per cartridge. Designers shall calculate the water quality design flow rates using the following procedures:**

- **Western Washington: For treatment installed upstream of detention or retention, the water quality design flow rate is the peak 15-minute flow rate as calculated using the latest version of the Western Washington Hydrology Model or other Ecology-approved continuous runoff model.**
- **Eastern Washington: For treatment installed upstream of detention or retention, the water quality design flow rate is the peak 15-minute flow rate as calculated using one of the three methods described in Chapter 2.2.5 of the Stormwater Management Manual for Eastern Washington (SWMM EW) or local manual.**
- **Entire State: For treatment installed downstream of detention, the water quality design flow rate is the full 2-year release rate of the detention facility.**

**4. The CULDs expire on December 31, 2016 unless extended by Ecology, and are subject to the conditions specified below.**

**5. The GULD has no expiration date, but it may be amended or revoked by Ecology, and is subject to the conditions specified below.**

**Ecology's Conditions of Use:**

**BayFilter™ units shall comply with these conditions:**

- 1. Design, assemble, install, operate, and maintain BayFilter™ units in accordance with BaySaver Technologies' applicable manuals and documents and the Ecology Decision.**
- 2. Maintenance: The required inspection/maintenance interval for stormwater treatment devices is often dependent upon the efficiency of the device and the degree of pollutant loading from a particular drainage basin. Therefore, Ecology does not endorse or recommend a "one size fits all" maintenance cycle for a particular model/size of manufactured filter treatment device.**

- **BaySaver recommends that the following be considered during the design application of the BayFilter Cartridge systems:**
  - **Water Quality Flow Rate**
  - **Anticipated Pollutant Load**
  - **Maintenance Frequency**
  
- **A BayFilter System tested adjacent to construction activity required maintenance after 4-months of operation. Monitoring personnel observed construction washout in the device during the testing period; the construction activity may have resulted in a shorter maintenance interval.**
  
- **Ecology has found that pre-treatment device prior to the BayFilter system can provide a reduction in pollutant loads on these systems, thereby extending the maintenance interval.**
  
- **Test results provided to Ecology from other BayFilter Systems, including the above mentioned system that was evaluated again after construction activities had been completed, have indicated the BayFilter System typically has longer maintenance intervals, sometimes exceeding 12-months.**
  
- **The BayFilter system contains filter fabric that is highly oleophilic (oil absorptive). When sufficient quantities of oils are present in the runoff, the oil and subsequent sediment particles may become attached to the fabric. As a result, it may compromise the maintenance interval of the BayFilter system. Oil control BMP's should be installed upstream of BayFilter installations if warranted, and/or the BayFilter system should be inspected after any known oil spill or release.**
  
- **Owners/operators must inspect BayFilter systems for a minimum of twelve months from the start of post-construction operation to determine site-specific inspection/maintenance schedules and requirements. Owners/operators must conduct inspections monthly during the wet season, and every other month during the dry season. (According to the SWMMWW, the wet season in western Washington is October 1 to April 30. According to SWMMEW, the wet season in eastern Washington is October 1 to June 30.) After the first year of operation, owners/operators must conduct inspections based on the findings during the first year of inspections or the manufacturer's anticipated maintenance interval, whichever is more frequent.**
  
- **Conduct inspections by qualified personnel, follow manufacturer's guidelines, and must use methods capable of determining either a decrease in treated effluent flowrate and/or a decrease in pollutant removal ability.**

- 3. When inspections are performed, the following findings typically serve as maintenance triggers:**
  - Accumulated vault sediment depths exceed an average of 2 inches, or
  - Accumulated sediment depths on the tops of the cartridges exceed an average of 0.5 inches, or
  - Standing water remains in the vault between rain events.
  - Bypass during storms smaller than the design storm.
  - **Note: If excessive floatables (trash and debris) are present, perform minor maintenance consisting of gross solids removal, not cartridge replacement.**
- 4. BaySaver Technologies Inc. commits to submitting a QAPP for Ecology approval by February 1, 2015 that meets the TAPE requirements for attaining a GULD for enhanced and phosphorus treatment. The monitoring site(s) chosen should be reflective of the product's treatment intent. BaySaver shall monitor sites prior to installation of the canister to ensure concentrations of the monitored constituents are within TAPE guidelines.**
- 5. BaySaver Technologies Inc. shall complete all required testing and submit a TER for enhanced and phosphorus treatment for Ecology review by April 30, 2015.**
- 6. BaySaver Technologies Inc. may request Ecology to grant deadline or expiration date extensions, upon showing cause for such extensions.**
- 7. Discharges from the BayFilter™ units shall not cause or contribute to water quality standards violations in receiving waters.**

**Applicant:** Advanced Drainage Systems - BaySaver  
**Applicant's Address:** 4640 Trueman Blvd  
Hilliard, Ohio 43065

**Application Documents:**

- *Technical Evaluation Report BayFilter System, Grandview Place Apartments, Vancouver, Washington and Appendices A through O (May 18, 2011)*
- *Washington State Department of Ecology Technology Assessment Protocol – Environmental BayFilter™ Conditional Use Designation Application (March 2007)*
- *BaySaver Technologies, Inc. BayFilter™ System Washington State Technical and Design Manual, Version 1.1 (December 2006)*
- *Efficiency Assessment of BaySeparator and Bay filter Systems in the Richard Montgomery High School January 6.2009.*
- *Evaluation of MASWRC Sample Collection, Sample Analysis, and Data Analysis, December 27, 2008*
- Letter from Mid-Atlantic Stormwater Research Center to BaySaver Technologies, In. dated October 22, 2009.



- Letter from Mid-Atlantic Stormwater Research Center to BaySaver Technologies, In. dated November 5, 2009.
- Maryland Department of the Environment letter to BaySaver Technologies dated Jan. 13, 2008 regarding approval of BayFilter as a standalone BMP for Stormwater treatment.
- NJCAT letter to BaySaver Technologies dated June 18, 2009 regarding Interim Certification.

**Applicant's Use Level Request:**

- General use level designation as a basic, enhanced, and phosphorus treatment device in accordance with Ecology's Stormwater Management Manual for Western Washington.

**Applicant's Performance Claims:**

- Removes and retains 80% of TSS based on laboratory testing using Sil-Co-Sil 106 as a laboratory stimulant.
- Removes 42% of dissolved Copper and 38% of dissolved Zinc.
- Expected to remove 50% of the influent phosphorus load.

**Ecology's Recommendations:**

Ecology finds that:

- Ecology should provide BaySaver Technologies, Inc. with the opportunity to demonstrate, through additional laboratory and field-testing, whether the BayFilter™ system (as a single treatment facility) can attain Ecology's Enhanced Treatment and Phosphorus removal goals.

**Findings of Fact:**

- Based on field testing in Vancouver, WA, at a flow rate less than or equal to 30 gpm per canister, the BayFilter™ system demonstrated a total suspended solids removal efficiency of greater than 80% for influent concentrations between 100 and 200 mg/l and an effluent concentration < 20 mg/l for influent concentration < 100 mg/l.
- Based on laboratory testing, at a flowrate of 30 GPM per filter, the BayFilter™ system demonstrated a total suspended solids removal efficiency of 81.5% using Sil-Co-Sil 106 with an average influent concentration of 268 mg/L and zero initial sediment loading.
- Based on laboratory testing, at a flowrate of 30 GPM per filter, the BayFilter™ system demonstrated a dissolved phosphorus removal efficiency of 55% using data from the Richard Montgomery High School field-testing. The average influent concentration was 0.31 mg/L phosphorus and zero initial sediment loading.

- Based on data from field-testing at Richard Montgomery High School in Rockville, MD the BayFilter system demonstrated a Cu removal efficiency of 51% and 41% for total and dissolved Cu respectively. Average influent concentrations are 41.6 µg/l total and 17.5 µg/l dissolved.
- Based on data from field-testing at Richard Montgomery High School in Rockville, MD the BayFilter system demonstrated a Zn removal efficiency of 45% and 38% for total and dissolved Cu, respectively. Average influent concentrations are 354 µg/l total and 251 µg/l dissolved, respectively.

**Other BayFilter™ Related Issues to be Addressed By the Company:**

1. The Washington State field test results submitted in the TER do not yet show whether the BayFilter™ system can reliably attain 30% removal of dissolved Cu, 60% removal of dissolved Zn, or 50% removal of Total Phosphorus found on local highways, parking lots, and other high-use areas at the design operating rate.
2. BaySaver Technologies, Inc. should test a variety of operating rates to establish conservative design flow rates.
3. The manufacturer should continue to monitor the system to measure bypass and to calculate if the system treats 91% of the volume of the total annual runoff volume.
4. The manufacturer should test the system under normal operating conditions, with a partially pollutant filled settling basin. Results obtained for “clean” systems may not be representative of typical performance.
5. Conduct field-testing at sites that are indicative of the treatment goals.
6. BaySaver should continue monitoring the system for a longer period to help establish a maintenance period and to obtain data from additional qualified storms. Conduct testing to obtain information about maintenance requirements in order to come up with a maintenance cycle.
7. Conduct loading tests on the filter to determine maximum treatment life of the system.
8. Conduct testing to determine if oils and grease affect the treatment ability of the filter. This should include a determination of how oil and grease may affect the ion-exchange capacity of the system if BaySaver wishes to make claims for phosphorus removal.
9. BaySaver should develop easy-to-implement methods of determining when a BayFilter system requires maintenance (cleaning and filter replacement).
10. BaySaver must update their O&M documents to include information and instructions on the “24-hour draw-down” method to determine if cartridges need replacing.

**Technology Description:** Download at [www.BaySaver.com](http://www.BaySaver.com)

**Contact Information:**

Applicant: Daniel Figola  
Advanced Drainage Systems - BaySaver  
4640 Trueman Blvd  
Hilliard, Ohio 43065  
(614) 658-0265  
[dfigola@ads-pipe.com](mailto:dfigola@ads-pipe.com)

Applicant website: [www.BaySaver.com](http://www.BaySaver.com)

Ecology web link: <http://www.ecy.wa.gov/programs/wq/stormwater/newtech/index.html>

Ecology: Douglas C. Howie, P.E.  
Department of Ecology  
Water Quality Program  
(360) 407-6444  
[douglas.howie@ecy.wa.gov](mailto:douglas.howie@ecy.wa.gov)

**Revision History**

<b>Date</b>	<b>Revision</b>
April 2008	Original use-level-designation document
February 2010	Revision
August 2011	GULD awarded for Basic Treatment
April 2012	Maintenance requirements updated.
August 2012	Revised design storm criteria
December 2012	Revised contact information and document formatting
December 2013	Revised expiration and submittal dates
December 2014	Revised Inspection/maintenance discussion, Updated cartridge descriptions
January 2015	Revised discussion for flow rate controls
December 2015	Revised Expiration date
January 2016	Revised Manufacturer Contact Information and expiration date

**Note:**

Some pages in this document have been purposely skipped or blank pages inserted so that this document will copy correctly when duplexed.



July 2016

**GENERAL USE LEVEL DESIGNATION FOR PRETREATMENT (TSS) AND  
CONDITIONAL USE LEVEL DESIGNATION FOR OIL CONTROL**

**For**

**CONTECH Engineered Solutions CDS® System**

**Ecology's Decision:**

Based on the CONTECH Engineered Solutions (CONTECH) application submissions for the CDS® System, Ecology hereby issues the following use designations for the CDS storm water treatment system:

1. **General Use Level Designation (GULD) for pretreatment use, as defined in Ecology's 2011 *Technical Guidance Manual for Evaluating Emerging Stormwater Treatment Technologies Technology Assessment Protocol – Ecology (TAPE)* Table 2, (a) ahead of infiltration treatment, or (b) to protect and extend the maintenance cycle of a basic, enhanced, or phosphorus treatment device (e.g., sand or media filter). This GULD applies to 2,400 micron screen CDS® units sized per the table below.**
2. **Conditional Use Level Designation (CULD) for oil and grease treatment. This CULD applies to 2400 micron screen CDS units sized per the table above at the water quality design flowrate as determined using the Western Washington Hydrology Model (WWHM).**
3. **The following table shows flowrates associated with various CDS models:**

		CDS Model	Water Quality Flow	
			cfs	L/s
Precast**	Inline or Offline	CDS 2015-4	0.7	19.8
		CDS 2015-5	0.7	19.8
		CDS 2020-5	1.1	31.2
		CDS2025-5	1.6	45.3
		CDS3020-6	2	56.6
		CDS3030-6	3	85.0
		CDS3035-6	3.8	106.2
		CDS4030-8	4.5	127.4
		CDS4040-8	6	169.9
		CDS4045-8	7.5	212.4
		CDS5640-10	9	254.9
		CDS5653-10	14	396.5
CDS5668-10	19	538.1		

		CDS5678-10	25	7.08
Precast**	Offline Only	CDS3030-V	3	85
		CDS4030-7	4.5	127.4
		CDS4040-7	6	169.9
		CDS4045-7	7.5	212.4
		CDS5640-8	9	254.9
		CDS5653-8	14	396.5
		CDS5668-8	19	538.1
		CDS5678-8	25	708
		CDS5042	9	254.9
		CDS5050	11	311.5
		CDS7070	26	736.3
		CDS10060	30	849.6
		CDS10080	50	1416
CDS100100	64	1812.5		
Cast In Place		CDS150134-22	148	4191.4
		CDS200164-26	270	7646.6
		CDS240160-32	300	8496.2

\*Specially Designed CDS Units may be approved by Ecology on a site-by-site basis.

\*\*Contact Contech for updated model numbers if PMIU, PMSU, PSW, PSWC are specified.

**4. The water quality design flow rates are calculated using the following procedures:**

- **Western Washington:** For treatment installed upstream of detention or retention, the water quality design flow rate is the peak 15-minute flow rate as calculated using the latest version of the Western Washington Hydrology Model or other Ecology-approved continuous runoff model.
- **Eastern Washington:** For treatment installed upstream of detention or retention, the water quality design flow rate is the peak 15-minute flow rate as calculated using one of the three methods described in Chapter 2.2.5 of the Stormwater Management Manual for Eastern Washington (SWMMEW) or local manual.
- **Entire State:** For treatment installed downstream of detention, the water quality design flow rate is the full 2-year release rate of the detention facility.

**5. The pretreatment GULD has no expiration date; however, Ecology may amend or revoke the designation.**

**6. The oil and grease CULD expires on December 31, 2017 unless extended by Ecology.**

**7. All designations are subject to the conditions specified below.**

- 8. Properly designed and operated CDS systems may also have applicability in other situations (example: low-head situations such as bridges or ferry docks), for TSS and oil/grease removal where, on a case-by-case basis, it is found to be infeasible or impracticable to use any other approved practice. Jurisdictions covered under the Phase I or II municipal stormwater permits should use variance/exception procedures and criteria as required by their NPDES permit.**
- 9. Ecology finds that the CDS, sized according to the table above, could also provide water quality benefits in retrofit situations.**

**Ecology's Conditions of Use:**

**CDS systems shall comply with these conditions:**

- 1. Design, assemble, install, operate, and maintain CDS Systems in accordance with Contech's applicable manuals and documents and the Ecology decision and conditions specified herein. Ecology recommends use of the inspection and maintenance schedule included as Attachment 1.**
- 2. Discharges from the CDS System shall not cause or contribute to water quality standards violations in receiving waters.**
- 3. Contech commits to testing the QAPP accepted by Ecology on September 17, 2014 for attaining a GULD for Oil Treatment. Ecology must review and approve additional QAPPs for each CULD field site in Washington State. Choose sites to reflect the product's treatment intent.**
- 4. Contech shall complete all required testing and submit a TER on pretreatment and oil and grease removal for Ecology review by September 15, 2017.**
- 5. Contech may request Ecology to grant deadline or expiration date extensions, upon showing cause for such extensions.**

**Applicant:** Contech Engineered Solutions

**Applicant's Address:** 11835 NE Glen Widing Drive  
Portland, OR 97220

**Application Documents:**

- Contech Stormwater Solutions Application to: Washington State Department of Ecology Water Quality Program for General Use Level Designation – Pretreatment Applications and Conditional Use Level Designation – Oil Treatment of the Continuous Deflective Separation (CDS™) Technology (June 2007)

- Strynchuk, Royal, and England, *The Use of a CDS Unit for Sediment Control in Brevard County*.
- Walker, Allison, Wong, and Wootton, *Removal of Suspended Solids and Associated Pollutants by a CDS Gross Pollutant Trap*, Cooperative Research Centre for Catchment Hydrology, Report 99/2, February 1999
- Allison, Walker, Chiew, O'Neill, McMahon, *From Roads to Rivers Gross Pollutant Removal from Urban Waterways*, Cooperative Research Centre for Catchment Hydrology, Report 98/6, May 1998
- Quality Assurance Project Plan CDS<sup>®</sup> for Oil Treatment Performance Evaluation received by Ecology January 15<sup>th</sup> 2013.
- CDS with Sorbents Preliminary Report received by Ecology October 15, 2015.

#### **Applicant's Use Level Request:**

- General use level designation as a pretreatment device and conditional use level designation as an oil and grease device in accordance with Ecology's *Stormwater Management Manual for Western Washington*.

#### **Applicant's Performance Claims:**

Based on laboratory trials, the CDS<sup>™</sup> System will achieve 50% removal of total suspended solids with d<sub>50</sub> of 50-µm and 80% removal of total suspended solids with d<sub>50</sub> of 125-µm at 100% design flowrate with typical influent concentration of 200-mg/L.

Contech can design the CDS<sup>™</sup> system to achieve the effluent concentration less than 10 mg/L for total petroleum hydrocarbons.

The CDS system equipped with standard oil baffle and addition of oil sorbent is effective in control of oil and maintain the TPH level below the Ecology-specified level (<10-mg/L) for applications in typical urban runoff pollution control.

#### **Ecology's Recommendation:**

Ecology finds that:

- The CDS<sup>™</sup> system, sized per the table above, should provide, at a minimum, equivalent performance to a presettling basin as defined in the most recent *Stormwater Management Manual for Western Washington, Volume V, Chapter 6*.



## Findings of Fact:

1. Laboratory testing was completed on a CDS 2020 unit equipped with 2400- $\mu\text{m}$  screen using OK-110 sand ( $d_{50}$  of 106- $\mu\text{m}$ ) at flowrates ranging from 100 to 125% of the design flowrate (1.1 cfs) with a target influent of 200 mg/L. Laboratory results for the OK-110 sand showed removal rates from about 65% to 99% removal with 80% removal occurring near 70% of the design flowrate.
2. Laboratory testing was completed on a CDS 2020 unit equipped with 2400- $\mu\text{m}$  screen using "UF" sediment ( $d_{50}$  of 20 to 30- $\mu\text{m}$ ) at flowrates ranging from 100 to 125% of the design flowrate (1.1 cfs) with a target influent of 200 mg/L. Laboratory results for the "UF" sediment showed removal rates from about 42% to 94% removal with 80% removal occurring at 5% of the design flowrate.
3. Laboratory testing was completed on a CDS 2020 unit equipped with 4700- $\mu\text{m}$  screen using OK-110 sand ( $d_{50}$  of 106- $\mu\text{m}$ ) at flowrates ranging from 100 to 125% of the design flowrate (1.1 cfs) with a target influent of 200 mg/L. Laboratory results for the OK-110 sand showed removal rates from about 45% to 99% removal with an average removal of 83.1%.
4. Laboratory testing was completed on a CDS 2020 unit equipped with 4700- $\mu\text{m}$  screen using "UF" sediment ( $d_{50}$  of 20 to 30- $\mu\text{m}$ ) at flowrates ranging from 100 to 125% of the design flowrate (1.1 cfs) with a target influent of 200 mg/L. Laboratory results for the "UF" sediment showed removal rates from about 39% to 88% removal with an average removal of 56.1%.
5. Contech completed laboratory testing on a CDS2020 unit using motor oil at flowrates ranging from 25% to 75% of the design flowrate (1.1 cfs) with influents ranging from 7 to 47 mg/L. Laboratory results showed removal rates from 27% to 92% removal. A spill test was also run at 10% of the design flowrate with an influent of 82,000 mg/L with an average percent capture of 94.5%
6. Independent parties in California, Florida, and Australia completed various field studies. Field studies showed the potential for the unit to remove oils and grease and total suspended solids, and capture 100% gross solids greater than the aperture size of the screen under treatment flow rate.
7. Contech is conducting a field evaluation of a CDS2015 with Sorbents for oil and grease removal. To date, the unit has been evaluated at flow rates ranging from 42% to 119% of the design flow rate (0.28cfs) with influent motor oil concentrations ranging from 0.46 to 64.8 mg/L (median of 4.5 mg/L; mean of 12.6 mg/L). A preliminary report showed a mean motor oil removal efficiency of 72%, with a UCL95 for effluent concentration of 0.75 mg/L.
8. CDS Technology has been widely accepted with over 6,200 installations in the United States and Canada. There are over 1,380 installations in Washington and Oregon.

**Technology Description:**

Engineers can download a technology description from the company's website.  
[www.conteches.com](http://www.conteches.com)

**Recommended Research and Development:**

Ecology encourages Contech to pursue continuous improvements to the CDS system. To that end, Ecology makes the following recommendations:

1. Conduct testing to quantify the flowrate at which resuspension occurs.
2. Conduct testing on various sized CDS units to verify the sizing technique is appropriate.
3. Test the system under normal operating conditions, pollutants partially filling the swirl concentrator. Results obtained for "clean" systems may not be representative of typical performance.

**Contact Information:**

Applicant Contact:

Sean Darcy  
Contech Engineered Solutions  
(800) 548-4667  
[sdarcy@conteches.com](mailto:sdarcy@conteches.com)

Applicant website:

<http://www.conteches.com/>

Ecology web link: <http://www.ecy.wa.gov/programs/wq/stormwater/newtech/index.html>

Ecology: Douglas C. Howie. P.E.  
Department of Ecology  
Water Quality Program  
(360) 407-6444  
[douglas.howie@ecy.wa.gov](mailto:douglas.howie@ecy.wa.gov)

### Revision History

<b>Date</b>	<b>Revision</b>
July 2008	Original use-level-designation document
February 2010	Reinstate Contech's Oil Control PULD
August 2012	Revised design storm criteria, revised oil control QAPP, TER, and Expiration dates
December 2012	Revised Contech Engineered Solutions Contact Information; Added QAPP for Oil Treatment
May 2013	Revised model numbers in Attachment 1
April 2014	Revised Due dates for QAPP and TER and changed Expiration date
August 2014	Revised Due dates for QAPP and TER and changed Expiration date
July 2016	Updated Oil Control PULD to a CULD based on preliminary field monitoring results



Frequency	Drainage System Feature	Problem	Conditions to Check For	Recommended Action	Date Inspected*																	
					J	F	M	A	M	J	J	A	S	O	N	D						
M	Access Cover (MH, Grate, cleanout)	Access cover Damaged/ Not working	One maintenance person cannot remove lid after applying 80 pounds of lift, corrosion or deformation of cover.	Cover repaired to proper working specifications or replaced.																		
A	Inlet and Outlet Piping	Damaged Piping/Leaking	Any part of the pipes are crushed or damaged due to corrosion and/or settlement.	Pipe repaired or replaced.																		
A	Concrete Structure	Concrete structure (MH or diversion vault) has cracks in wall, bottom, and damage to frame and/or top slab.	Cracks wider than ½ inch or evidence of soil particles entering the structure through the cracks, or maintenance/inspection personnel determine that the structure is not structurally sound.	Structure repaired so that no cracks exist wider than 0.25 inch at the joint of inlet/outlet pipe.																		
A	Access Ladder	Ladder rungs unsafe	Maintenance person judges that ladder is unsafe due to missing rungs, misalignment, rust, or cracks. Ladder must be fixed or secured immediately.	Ladder meets design standards and allows maintenance persons safe access.																		

\*Note dates when maintenance was performed and type of maintenance performed in notes section below.

\*\*May not be present on all units.

(M) Monthly from November through April.

(A) Once in late summer (preferable September)

(S) After any major storm (use 1-inch in 24 hours as a guideline).

If you are unsure whether a problem exists, please contact a Professional Engineer.

Notes:

Maintenance of CDS stormwater treatment unit typically does not require confined space entry. Visual inspections should be performed above ground. If entry is required, it should be performed by qualified personnel.

Refer to CDS Unit Operation & Maintenance Guideline for maintenance details. Typically the CDS unit needs to be inspected before and after the rainfall seasons (November to April), after any major storms (>1-inch within 24 hour) and in the event of chemical spills.

Contact Contech Engineered Solutions (CSS) (800-548-4667) if there is any damage to the internal components of CDS Unit.

**CDS Maintenance Indicators and Sediment Storage Capacities**

CDS Model	Diameter		Distance from Water Surface to Top of Sediment Pile		Sediment Storage Capacity	
	ft	m	ft	m	yd <sup>3</sup>	m <sup>3</sup>
CDS2015	5	1.5	3.0	0.9	1.3	1.0
CDS2020	5	1.5	3.5	1.1	1.3	1.0
CDS2025	5	1.5	4.0	1.2	1.3	1.0
CDS3020	6	1.8	4.0	1.2	2.1	1.6
CDS3030	6	1.8	4.6	1.4	2.1	1.6
CDS3035	6	1.8	5.0	1.5	2.1	1.6
CDS4030	8	2.4	4.6	1.4	5.6	4.3
CDS4040	8	2.4	5.7	1.7	5.6	4.3
CDS4045	8	2.4	6.2	1.9	5.6	4.3



February 2005  
(Updated November 2007)

**GENERAL USE LEVEL DESIGNATION FOR PRETREATMENT (TSS)  
For  
Hydro International's Downstream Defender®**

**Ecology's Decision:**

Based on Hydro International's application submissions and recommendations by the Technical Review Committee (TRC), Ecology hereby issues the following Use Level Designation for the Hydro International Downstream Defender®:

1. **General Use Level Designation (GULD) for pretreatment, as defined in the Ecology Manual Volume I, (a) ahead of infiltration treatment, or (b) to protect and extend the maintenance cycle of a Basic or Enhanced Treatment device (e.g., sand or media filter). This GULD applies to Downstream Defender units sized in accordance with the following table at the Water Quality design flow rate as determined using the Western Washington Hydrology Model (WWHM).**

<b>Downstream Defender System Sizing</b>	
<b>Unit Diameter (ft)</b>	<b>Flowrate (cfs) <math>Q=583 (D/4)^{2.85}</math></b>
4	1.3
6	4.1
8	9.4
10	17.7

2. **The pretreatment GULD designation has no expiration date, but it may be amended or revoked by Ecology.**
3. **The GULD is subject to the conditions specified below.**
4. **Properly designed and operated Downstream Defender systems may also have applicability in other situations (example: low-head situations such as bridges or ferry docks), for TSS and oil/grease removal where, on a case-by-case basis, it is found to be infeasible or impracticable to use any other approved practice. Local jurisdictions should follow established variance or exception procedures in approving such applications.**
5. **Ecology finds that the Downstream Defender, sized in accordance with the above table could also provide:**

- Water quality benefits in retrofit situations.
- The first component in a treatment train.
- Effective removal of deicing grit/sand.

**Ecology's Conditions of Use:**

**Downstream Defenders shall be designed, installed, and maintained to comply with these conditions:**

- 1. Downstream Defender systems must be designed, assembled, installed, operated, and maintained in accordance with Hydro International's applicable manuals and documents and the Ecology Decision and Conditions specified herein.**
- 2. Discharges from the Downstream Defender system shall not cause or contribute to water quality standards violations in receiving waters.**

**Applicant:** Hydro International.

**Applicant's Address:** 94 Hutchins Drive  
Portland, Maine 04102  
(207) 756-6200 ext. 226

**Application Documents:**

- Application letter from Ms. Deahl dated November 23, 2004
- "Downstream Defender-Submittal to WA State Department of Ecology", Hydro International, November 2004. *Note: This submittal includes reports on 7 studies on the Downstream Defender reported from 1997-2002.*
- "Downstream Defender Testing Using Feed Sand with Mean Particle Size of 50 microns", Hydro International, December 2004
- "Comparison: Downstream Defender and Vortechs", Hydro International, November 2004
- "The Development of a Mathematical Model for the Prediction of the Residence Time Distribution of a Vortex Hydrodynamic Separator," R.M. Alkhaddar et. al., 2001.

A CD-ROM of the submittal reports may be requested from Hydro International.



**Applicant’s Use Level Requests:**

- Functional equivalence of the Downstream Defender to other vortex enhanced sedimentation technologies.
- General Use Level Designation (GULD) for pretreatment.

**Applicant’s Performance Claims:**

Based on full-scale laboratory trials, a 4-ft diameter Downstream Defender will achieve at least an 80% TSS removal efficiency for 125-micron mean particle size sand, at an operating flow rate of 583 gpm and 50% TSS removal efficiency for 50 micron mean particle size sand at an operating flow rate of 980 gpm.

Based on full-scale laboratory trials, a 4-ft. diameter Downstream Defender will achieve at least 80% TSS removal efficiency for 50-micron mean particle size sand at an operating flow rate of 400 gpm.

The Downstream Defender increases retention time and removal efficiency compared to a simple swirl-type device. Its three-dimensional geometry and internal components decrease turbulence and ensure that any fluid element passes through an extended flow path to get from the inlet to the outlet. This geometry is increased proportionately in all three dimensions, as units get larger. In addition, the components create isolated zones outside of the separation chamber where solids are directed and stored and are protected from re-entrainment. These areas also increase in all three dimensions as the units get larger but are kept separate from the treatment volume. Therefore, the removal efficiency of any size cannot be accurately predicted by simply applying the same surface-loading rate of another size. When scaling up to larger units, residence times must be maintained in order to achieve consistent solids removal. An independent peer-reviewed study concludes that the appropriate scaling law for Hydro International’s separators approaches theoretical volumetric loading and can be calculated by:

$Q = Q_{test} (D / D_{test})^{2.85}$ , where:

- Q = flow rate at which a different sized device achieves the same performance
- Q<sub>test</sub> = flow rate of tested device (583 gpm)
- D = internal diameter in feet of the different sized device
- D<sub>test</sub> = diameter of the tested device (4 feet)

The maximum pretreatment flow rates for Downstream Defenders are based on 80% removal of 125-micron mean particle size sand.

**Technical Review Committee Recommendations:** The TRC, based on the weight of the evidence and using its best professional judgment, finds that:

- Pretreatment guidelines are needed to assess facilities performing at less-than-Basic treatment levels, but adequate to serve as presettling facilities ahead of infiltration treatment.

The TRC recommends guidelines be set at 50% removal of 50-micron particles and 80% removal of 125-micron particles. The TRC further recommends these guidelines be applied uniformly to this and all future technology submissions.

- The Downstream Defender system, sized in accordance with the table above should provide, at a minimum, equivalent performance to a presettling basin as defined in the most recent *Stormwater Management Manual for Western Washington, Volume V, Chapter 6*.

### **Findings of Fact:**

- Full-scale laboratory test have been conducted on a 4-ft diameter Downstream Defender. Appendix 5 of the submittal includes independent Maine DEP OK-110 laboratory results verifying the company's performance claim. The submittal also documents the removal of portions of heavy metals and nutrients associated with fine particles.
- The submittals also demonstrate that the Downstream Defender provides significantly better protection from pollutant re-entrainment compared to simple swirl-type devices (SVS). Therefore, Hydro International considers the Downstream Defender to be an advanced vortex separator (AVS).
- Full-scale laboratory test have been conducted on a 4-ft diameter Downstream Defender verifying the company's performance claim on material with a mean particle size of 50 microns.
- Laboratory testing using 15 and 30-inch diameter systems derived a scaling factor of 2.85, which is used to determine flow rates for untested models.
- The system is easily maintained using a vacuum truck.
- There are over 2000 Downstream Defender systems installed nationwide, with over 150 in the Pacific Northwest.

### **Technology Description:**

Design Manual and technical bulletins can be downloaded from company's web site.

### **Contact Information:**

Applicant: Mr. John MacKinnon  
Hydro International  
(207) 756-6200 ext. 250  
[jmackinnon@hil-tech.com](mailto:jmackinnon@hil-tech.com)

Applicant website: <http://www.hydro-international.biz>

Ecology web link: <http://www.ecy.wa.gov/programs/wq/stormwater/newtech/index.html>

Ecology Contact: Mieke Hoppin  
Water Quality Program  
[mhop461@ecy.wa.gov](mailto:mhop461@ecy.wa.gov)  
(360) 407-6435

Technical Review Committee:

Dave Tucker, P.E.  
Kitsap County  
[dtucker@co.kitsap.wa.us](mailto:dtucker@co.kitsap.wa.us)  
(360) 337-7292

**Note:**

Some pages in this document have been purposely skipped or blank pages inserted so that this document will copy correctly when duplexed.



January 2013

## GENERAL USE LEVEL DESIGNATION FOR BASIC TREATMENT

For

Royal Environmental Systems, Inc. ecoStorm/ecoStorm *plus* Treatment Train

### Ecology's Decision:

1. Based on Royal Environmental's application submissions, including the Final Technical Evaluation Report (TER) dated July 2012, and recommendations by the Board of External Reviewers (BER), Ecology hereby issues a general use level designation (GULD) for the ecoStorm/ecoStorm *plus* treatment train:
  - As a basic stormwater treatment device for total suspended solids (TSS) removal,
  - Using the Standard concrete filter for the ecoStorm *plus*,
  - As part of a treatment train that includes an upstream ecoStorm unit.
2. Ecology approves the ecoStorm/ecoStorm *plus* treatment train units using the Standard concrete filter for treatment at the water quality design flow rate per filter listed below. The water quality design flow rates are calculated using the following procedures:
  - **Western Washington:** For treatment installed upstream of detention or retention, the water quality design flow rate is the peak 15-minute flow rate as calculated using the latest version of the Western Washington Hydrology Model or other Ecology-approved continuous runoff model.
  - **Eastern Washington:** For treatment installed upstream of detention or retention, the water quality design flow rate is the peak 15-minute flow rate as calculated using one of the three methods described in Chapter 2.2.5 of the Stormwater Management Manual for Eastern Washington (SWMM EW) or local manual.
  - **Entire State:** For treatment installed downstream of detention, the water quality design flow rate is the full 2-year release rate of the detention facility.
3. This designation has no expiration date, but Ecology may amend or revoke it, and it is subject to the conditions specified below.

**Ecology's Conditions of Use:**

**1. The ecoStorm component of the treatment train shall comply with the following conditions:**

- **Design, assemble, install, operate, and maintain the ecoStorm units in accordance with Royal Environmental Systems Inc.'s applicable manuals and documents and the Ecology Decision.**
- **Owners must install appropriately sized ecoStorm unit or units upstream of the ecoStorm plus unit(s).**
- **ecoStorm units range from 4 to 12 feet in diameter with a design treatment flow of 30 GPM (0.067 cfs) per sf. See table below.**

ecoStorm Model Number	Diameter (feet)	Surface Area (sf)	Treatment Flow Rate (gpm)	Maximum number of ecoStorm <i>plus</i> units <sup>a</sup>
0.5	4	12.57	377	2
0.75	5	19.63	588	3
1	6	28.27	848	4
1.5	7	38.48	1,153	6
2	8	50.27	1,508	8
3	10	78.54	2,356	13
4	12	113.1	3,393	18

sf: square feet

gpm: gallons per minute

<sup>a</sup> Calculated as ecoStorm flow rate/ecoStorm *plus* design flow (0.40 cfs). Can also be calculated using a surface area ratio of 0.7 ecoStorm/ecoStorm *plus*.

**2. The ecoStorm plus component of the treatment train shall comply with the following conditions:**

- **Design, assemble, install, operate, and maintain ecoStorm plus units in accordance with Royal Environmental Systems Inc.'s applicable manuals and documents and the Ecology Decision.**
- **Size the ecoStorm *plus* units at a design rate of 180 gallons per minute (0.40 cfs) per 5-ft. diameter filter (19.63 square feet surface area).**

**3. Operators must lower Effluent pH from the ecoStorm plus unit if necessary to meet water quality standards using passive pH adjustment with ascorbic acid tablets or sodium bisulfate or by installing a CO2 sparging system or other equivalent method.**

**4. Replacement ecoStorm plus filters shall be available for installation within 3 days after identifying that the filters need replacement.**

**The following conditions apply to the combined treatment system (ecoStorm/ecoStorm *plus* treatment train):**

- 1. To determine site-specific maintenance schedules for installed ecoStorm/ecoStorm *plus* treatment trains, the presence and frequency of all system bypasses shall be monitored by a water sensor (presence/absence or level) and logging device.**
- 2. The required maintenance interval for stormwater treatment devices is often dependent upon the degree of pollutant loading from a particular drainage basin. Therefore, Ecology does not endorse or recommend a “one size fits all” maintenance cycle for a particular model/size of manufactured treatment device.**
  - Testing results provided to Ecology for the Basic Treatment GULD approval indicate that the treatment system required backflushing on average every 1.3 months and filter replacement after 9.3 months on average at the specific test installation. Indicators of the need for maintenance included:**
    - Decreased flow through filter**
    - Increased incidence of bypass**
    - Visual build-up of material on surface of filter**
  - This particular maintenance interval does not necessarily determine the overall maintenance frequency for all ecoStorm/ecoStorm *plus* treatment trains.**
  - Owners/operators must inspect ecoStorm/ecoStorm *plus* treatment trains systems for a minimum of twelve months from the start of post-construction operation to determine site-specific maintenance schedules and requirements. Inspection frequency shall be as stated below. After the first year of operation, owners/operators must conduct inspections based on the findings during the first year of inspections.**
  - Conduct inspections by qualified personnel pursuant to manufacturer’s guidelines, and use methods capable of determining either a decrease in treated effluent flowrate and/or a decrease in pollutant removal ability.**
- 3. Records of maintenance, bypass flows, and local rain gage data shall be submitted to Ecology on a quarterly basis until site-specific maintenance schedules for the installed ecoStorm/ecoStorm *plus* treatment train can be determined. Bypass data must be downloaded at least monthly to evaluate system performance relative to the goal of treating 91 percent of the average annual runoff volume.**
- 4. Owners of ecoStorm/ecoStorm *plus* treatment trains shall submit a letter to Ecology committing to a schedule of required maintenance inspections as follows:**
  - From October 1<sup>st</sup> to April 30<sup>th</sup>: inspections shall occur once every two weeks or after every 2 inches of rainfall, whichever occurs first.**

- From May 1<sup>st</sup> to September 30<sup>th</sup> inspections shall occur at least monthly and/or in conjunction with a storm event of > 0.5 inches in 24 hours.

**5. Discharges from the ecoStorm/ecoStorm *plus* treatment train shall not cause or contribute to water quality standards violations in receiving waters.**

**Applicant:** Royal Environmental Systems Inc.

**Applicant's Address:** 30622 Forest Blvd, PO Box 430  
Stacy, MN, 55079

**Application Documents:**

- Draft ecoStorm/ecoStorm *plus* Treatment Train Evaluation Technical Evaluation Report, Herrera Environmental Consultants (October 2011)
- Final ecoStorm/ecoStorm *plus* Treatment Train Evaluation Technical Evaluation Report, Herrera Environmental Consultants (August 2012)
- Responses to BER comments, Water Tectonics and Herrera Environmental Consultants (August 2012)
- ecoStorm *plus* CULD Request: Supplemental information/clarification as requested in Ecology's December 21, 2010 letter and use level designation extension request. Memorandum prepared by WaterTectonics (January 19, 2011).
- Request for Conditional Use Level Designation for the ecoStorm *plus*<sup>TM</sup> unit, memorandum prepared by Royal Environmental Systems, Inc. (October 21, 2010).
  - a. ecoStorm *plus*<sup>TM</sup> Product Information for Washington State Department of Ecology Use Designation Determination (September 29, 2010)
  - b. Herrera Environmental Consultants Memorandum – Update on Water Tectonics TAPE process for the ecoStorm *plus* filter system (September 8, 2010)
  - c. Water Tectonics, Inc. – Internal Memorandum McRedmond ecoStorm *plus* Data Collection, (October 5, 2010)
  - d. Herrera Environmental Consultants – McRedmond TSS Discrete Analysis (2010 Data)
  - e. Herrera Environmental Consultants – McRedmond TSS Composite Analysis (2010 Data)
  - f. Herrera Environmental Consultants – Third Party Technical Review City of Redmond ecoStorm *plus* Monitoring Project, January 8, 2010 (2009 Data)
- QAPP ecoStorm *plus*<sup>TM</sup> McRedmond RWQF – Addendum 4 (March 1, 2010)
- QAPP ecoStorm *plus*<sup>TM</sup> McRedmond RWQF – Addendum 3 (September 1, 2009)
- QAPP ecoStorm *plus*<sup>TM</sup> McRedmond RWQF – Addendum 2 (August 1, 2009)
- QAPP ecoStorm *plus*<sup>TM</sup> McRedmond RWQF – Addendum 1 (April 8, 2009)



- Quality Assurance Project Plan (QAPP) *ecoStorm plus*<sup>TM</sup> McRedmond Regional Water Quality Facility (RWQF), prepared by Water Tectonics and Royal Environmental Systems, Inc. (March 18, 2008)
- *ecoStorm plus*<sup>TM</sup> Quality Assurance Project Plan (QAPP) for Basic, Enhanced & Phosphorus Treatment (Rev04), prepared by Water Tectonics and Royal Environmental Systems, Inc. (August, 28, 2007)
- Product Information for Washington State Department of Ecology Use Designation Determination, prepared by Water Tectonics (July 2006)
- *ecoStorm plus* Lab Scale Testing Final Report, prepared by Water Tectonics (July 2006)
- Report on investigations into retention of pollutants in rainfall runoff from a concrete plant using a *ecoStorm plus* filter pit prepared by: Dr. Dierkes (August 2004)

**Applicant's Use Level Request:**

General Use Level Designation as a Basic Treatment device.

**Applicant's Performance Claims:**

- Average of 80% removal of TSS.

**Findings of Fact:**

1. Monitoring for this project occurred at the McRedmond Regional Water Quality Facility (McRedmond Facility) installed in 2007 at the Luke McRedmond Park in Redmond, Washington.
2. WaterTectonics collected water quality data from 31 storm events (15 composite sampling events and 16 discrete sampling events) over a 27-month period (March 2009 through June 2011).
3. WaterTectonics collected a total of 15 valid TSS composite samples: 10 samples were in the 20 to 99 mg/L influent TSS range, 3 samples were in the 100 to 200 mg/L influent TSS range, and 2 samples were in the > 200 mg/L TSS range. Since a majority of the samples were in the 20 to less than 100 mg/L influent range, this was the only performance goal statistically evaluated.
4. To evaluate this goal, WaterTectonics computed a bootstrapped estimate of the upper 95 percent confidence limit around the mean from the 10 valid samples in the 20 to less than 100 mg/L influent TSS range; they compared this value (9.7 mg/L) to the 20 mg/L effluent goal. Because the upper confidence limit is lower than the effluent goal of 20 mg/L, it can be concluded that the *ecoStorm/ecoStorm plus* treatment train met the basic treatment goal with a confidence level of 95 percent.
5. Although there were not enough samples in the other two size ranges to demonstrate statistical significance, the mean TSS percent removal was 84 percent in the 100 to 200 mg/L influent TSS range and 85 percent in the > 200 mg/L TSS range.

6. In order to evaluate pollutant removal performance as a function of flow rate, WaterTectonics performed a regression analysis using pooled effluent TSS concentration data from composite and discrete samples collected from the ecoStorm/ecoStorm *plus* treatment train. Aliquot-weighted flow rates for the composite sampling ranged from 39.3 to 318 gpm. Instantaneous flow rates for the discrete sampling ranged from 12.3 to 257 gpm. This analysis showed there was no significant relationship between flow rate and effluent TSS concentrations, demonstrating that the measured pollutant removal performance can be applied to the range of flow rates monitored during this study (12.3 to 318 gpm).
7. WaterTectonics evaluated data from the continuous pH record to determine if there were differences in average daily pH influent and effluent values before and after initiation of CO<sub>2</sub> sparging. The average daily influent pH value was 6.85 before and after sparging. However, the average daily effluent pH value was reduced from 9.25 before CO<sub>2</sub> sparging to 8.01 after CO<sub>2</sub> sparging.

**Other ecoStorm/ecoStorm *plus* Treatment Train Related Issues to be Addressed By the Company:**

1. Develop easy-to-implement methods of determining when an ecoStorm/ecoStorm *plus* treatment train requires maintenance (cleaning and filter replacement).

**Technology Description:** Download at [www.royalenterprises.net](http://www.royalenterprises.net)

**Contact Information:**

Applicant: Liisa Doty  
 WaterTectonics, Inc.  
 6300 Merrill Creek Parkway  
 Suite C-100  
 Everett, WA, 98203  
 425-349-4200  
[Liisa@watertectonics.com](mailto:Liisa@watertectonics.com)

Applicant website: [www.royalenterprises.net](http://www.royalenterprises.net)  
 Ecology web link: <http://www.ecy.wa.gov/programs/wq/stormwater/newtech/index.html>  
 Ecology: Douglas C. Howie, P.E.  
 Department of Ecology  
 Water Quality Program  
 (360) 407-6444  
[douglas.howie@ecy.wa.gov](mailto:douglas.howie@ecy.wa.gov)

**Revision History**

Date	Revision
December 2009	PULD granted
February 2011	CULD granted
July 2012	GULD granted for Basic Treatment, added Revision Table
January 2013	Modified Design Storm Description, revised format to match Ecology standard



June 2016

**GENERAL USE LEVEL DESIGNATION FOR BASIC (TSS), ENHANCED,  
PHOSPHORUS & OIL TREATMENT**

**For**

**Americast Filterra®**

**Ecology's Decision:**

Based on Americast's submissions, including the Final Technical Evaluation Reports, dated March 27, 2014 and December 2009, and additional information provided to Ecology dated October 9, 2009, Ecology hereby issues the following use level designations:

1. A General Use Level Designation for Basic, Enhanced, Phosphorus, and Oil Treatment at the following water quality design hydraulic loading rates:

Treatment	Hydraulic Conductivity* (in/hr) for use in Western Washington Sizing	Infiltration Rate (in/hr) for use in eastern Washington Sizing
Basic	70.92	100
Phosphorus	70.92	100
Oil	35.46	50
Enhanced	24.82	35

\*calculated based on listed infiltration rate and a hydraulic gradient of 1.41 inch/inch (2.55 ft head with 1.80 ft media).

2. The Filterra® unit is not appropriate for oil spill-control purposes.
3. Ecology approves the Filterra® units for treatment at the hydraulic loading rates listed above, to achieve the maximum water quality design flow rate. Calculate the water quality design flow rates using the following procedures:

- Western Washington: for treatment installed upstream of detention or retention, the water quality design flow rate is the peak 15-minute flow rate as calculated using the sand filter module in the latest version of the Western Washington Hydrology Model or other Ecology-approved continuous runoff model. The model must indicate the unit is capable of processing 91 percent of the influent runoff file.
- Eastern Washington: For treatment installed upstream of detention or retention, the water quality design flow rate is the peak 15-minute flow rate as calculated using one of the three flow rate based methods described in Chapter 2.2.5 of the Stormwater Management Manual for Eastern Washington (SWMMEW) or local manual.

- Entire State: For treatment installed downstream of detention, the water quality design flow rate is the full 2-year release rate of the detention facility.

4. This General Use Level Designation has no expiration date but Ecology may revoke or amend the designation, and is subject to the conditions specified below.

**Ecology’s Conditions of Use:**

Filtterra® units shall comply with these conditions shall comply with the following conditions:

1. Design, assemble, install, operate, and maintain the Filtterra® units in accordance with applicable Americast Filtterra® manuals, document, and the Ecology Decision.
2. Each site plan must undergo Americast Filtterra® review before Ecology can approve the unit for site installation. This will ensure that site grading and slope are appropriate for use of a Filtterra® unit.
3. Filtterra® media shall conform to the specifications submitted to and approved by Ecology.
4. Maintenance includes removing trash, degraded mulch, and accumulated debris from the filter surface and replacing the mulch layer. Use inspections to determine the site-specific maintenance schedules and requirements. Follow maintenance procedures given in the most recent version of the Filtterra® Operation and Maintenance Manual.
5. Maintenance: The required maintenance interval for stormwater treatment devices is often dependent upon the degree of pollutant loading from a particular drainage basin. Therefore, Ecology does not endorse or recommend a “one size fits all” maintenance cycle for a particular model/size of manufactured filter treatment device.

- Filtterra® designs their systems for a target maintenance interval of 6 months. Maintenance includes removing accumulated sediment and trash from the surface area of the media, removing the mulch above the media, replacing the mulch, providing plant health evaluation, and pruning the plant if deemed necessary.
- Conduct maintenance following manufacturer’s guidelines.

6. Filtterra® units come in standard sizes.

7. The minimum size filter surface-area for use in western Washington is determined by using the sand filter module in the latest version of WWHM or other Ecology approved continuous runoff model for western Washington. Model inputs include

- a) Filter media depth: 1.8 feet
- b) Effective Ponding Depth: 0.75 feet (This is equivalent to the 6-inch clear zone between the top of the mulch and the bottom of the slab plus 3-inches of mulch.)
- c) Side slopes: Vertical
- d) Riser height: 0.70 feet
- e) Filter Hydraulic Conductivity: Use the Hydraulic Conductivity as listed in the table above (use the lowest applicable hydraulic conductivity depending on the level of treatment required) under Ecology’s Decision, above.

8. The minimum size filter surface-area for use in eastern Washington is determined by using the design water quality flow rate (as determined in item 3, above) and the Infiltration Rate from the table above (use the lowest applicable Infiltration Rate depending on the level of treatment required). Calculate the required area by dividing the water quality design flow rate (cu-ft/sec) by the Infiltration Rate (converted to ft/sec) to obtain required surface area (sq ft) of the Filterra unit.
9. Discharges from the Filterra® units shall not cause or contribute to water quality standards violations in receiving waters.

### **Approved Alternate Configurations**

#### **Filterra® Internal Bypass - Pipe (FTIB-P)**

1. The Filterra® Internal Bypass – Pipe allows for piped-in flow from area drains, grated inlets, trench drains, and/or roof drains. Design capture flows and peak flows enter the structure through an internal slotted pipe. Filterra® inverted the slotted pipe to allow design flows to drop through to a series of splash plates that then disperse the design flows over the top surface of the Filterra® planter area. Higher flows continue to bypass the slotted pipe and convey out the structure.
2. To select a FTIB-P unit, the designer must determine the size of the standard unit using the sizing guidance described above.

#### **Filterra® Internal Bypass – Curb (FTIB-C)**

1. The Filterra® Internal Bypass –Curb model (FTIB-C) incorporates a curb inlet, biofiltration treatment chamber, and internal high flow bypass in one single structure. Filterra® designed the FTIB-C model for use in a “Sag” or “Sump” condition and will accept flows from both directions along a gutter line. An internal flume tray weir component directs treatment flows entering the unit through the curb inlet to the biofiltration treatment chamber. Flows in excess of the water quality treatment flow rise above the flume tray weir and discharge through a standpipe orifice; providing bypass of untreated peak flows. Americast manufactures the FTIB-C model in a variety of sizes and configurations and you may use the unit on a continuous grade when a single structure providing both treatment and high flow bypass is preferred. The FTIB-C model can also incorporate a separate junction box chamber to allow larger diameter discharge pipe connections to the structure.
2. To select a FTIB-C unit, the designer must determine the size of the standard unit using the sizing guidance described above.

#### **Filterra® Shallow**

1. The Filterra® Shallow provides additional flexibility for design engineers and designers in situations where there is limited depth and various elevation constraints to applying a standard Filterra® configuration. Engineers can design this system up to six inches shallower than any of the previous Filterra unit configurations noted above.

2. Ecology requires that the Filterra® Shallow provide a contact time equivalent to that of the standard unit. This means that with a smaller depth of media, the surface area must increase.
3. To select a Filterra® Shallow System unit, the designer must first identify the size of the standard unit using the modeling guidance described above.
4. Once you establish the size of the standard Filterra® unit using the sizing technique described above, use information from the following table to select the appropriate size Filterra® Shallow System unit.

**Shallow Unit Basic, Enhanced, and Oil Treatment Sizing**

Standard Depth	Equivalent Shallow Depth
4x4	4x6 or 6x4
4x6 or 6x4	6x6
4x8 or 8x4	6x8 or 8x6
6x6	6x10 or 10x6
6x8 or 8x6	6x12 or 12x6
6x10 or 10x6	13x7

**Notes:**

1. Shallow Depth Boxes are less than the standard depth of 3.5 feet but no less than 3.0 feet deep (TC to INV).

**Applicant:** Filterra® Bioretention Systems, division of Contech Engineered Solutions, LLC.

**Applicant’s Address:** 11815 NE Glenn Widing Drive  
Portland, OR 97220

**Application Documents:**

- State of Washington Department of Ecology Application for Conditional Use Designation, Americast (September 2006)
- Quality Assurance Project Plan Filterra® Bioretention Filtration System Performance Monitoring, Americast (April 2008)
- Quality Assurance Project Plan Addendum Filterra® Bioretention Filtration System Performance Monitoring, Americast (June 2008)
- Draft Technical Evaluation Report Filterra® Bioretention Filtration System Performance Monitoring, Americast (August 2009)
- Final Technical Evaluation Report Filterra® Bioretention Filtration System Performance Monitoring, Americast (December 2009)
- Technical Evaluation Report Appendices Filterra® Bioretention Filtration System Performance Monitoring, Americast, August 2009
- Memorandum to Department of Ecology Dated October 9, 2009 from Americast, Inc. and Herrera Environmental Consultants

- Quality Assurance Project Plan Filterra® Bioretention System Phosphorus treatment and Supplemental Basic and Enhanced Treatment Performance Monitoring, Americast (November 2011)
- Filterra® letter August 24, 2012 regarding sizing for the Filterra® Shallow System.
- University of Virginia Engineering Department Memo by Joanna Crowe Curran, Ph. D dated March 16, 2013 concerning capacity analysis of Filterra® internal weir inlet tray.
- Terraphase Engineering letter to Jodi Mills, P.E. dated April 2, 2013 regarding Terraflume Hydraulic Test, Filterra® Bioretention System and attachments.
- Technical Evaluation Report, Filterra® System Phosphorus Treatment and Supplemental Basic Treatment Performance Monitoring. March 27<sup>th</sup>, 2014.

**Applicant’s Use Level Request:**

General Level Use Designation for Basic, Enhanced, Phosphorus, and Oil Treatment.

**Applicant’s Performance Claims:**

Field-testing and laboratory testing show that the Filterra® unit is promising as a stormwater treatment best management practice and can meet Ecology’s performance goals for basic, enhanced, phosphorus, and oil treatment.

**Findings of Fact:**

Field Testing 2013

1. Filterra® completed field-testing of a 6.5 ft x 4 ft. unit at one site in Bellingham, Washington. Continuous flow and rainfall data collected from January 1, 2013 through July 23, 2013 indicated that 59 storm events occurred. The monitoring obtained water quality data from 22 storm events. Not all the sampled storms produced information that met TAPE criteria for storm and/or water quality data.
2. The system treated 98.9 percent of the total 8-month runoff volume during the testing period. Consequently, the system achieved the goal of treating 91 percent of the volume from the site. Stormwater runoff bypassed during four of the 59 storm events.
3. Of the 22 sampled events, 18 qualified for TSS analysis (influent TSS concentrations ranged from 25 to 138 mg/L). The data were segregated into sample pairs with influent concentration greater than and less than 100 mg/L. The UCL95 mean effluent concentration for the data with influent less than 100 mg/L was 5.2 mg/L, below the 20-mg/L threshold. Although the TAPE guidelines do not require an evaluation of TSS removal efficiency for influent concentrations below 100 mg/L, the mean TSS removal for these samples was 90.1 percent. Average removal of influent TSS concentrations greater than 100 mg/L (three events) was 85 percent. In addition, the system consistently exhibited TSS removal greater than 80 percent at flow rates at a 100 inches per hour [in/hr] infiltration rate and was observed at 150 in/hr.

4. Ten of the 22 sampled events qualified for TP analysis. Americast augmented the dataset using two sample pairs from previous monitoring at the site. Influent TP concentrations ranged from 0.11 to 0.52 mg/L. The mean TP removal for these twelve events was 72.6 percent. The LCL95 mean percent removal was 66.0, well above the TAPE requirement of 50 percent. Treatment above 50 percent was evident at 100 in/hr infiltration rate and as high as 150 in/hr. Consequently, the Filterra<sup>®</sup> test system met the TAPE Phosphorus Treatment goal at 100 in/hr. Influent ortho-P concentrations ranged from 0.005 to 0.012 mg/L; effluent ortho-P concentrations ranged from 0.005 to 0.013 mg/L. The reporting limit/resolution for the ortho-P test method is 0.01 mg/L, therefore the influent and effluent ortho-P concentrations were both at and near non-detect concentrations.

#### Field Testing 2008-2009

1. Filterra<sup>®</sup> completed field-testing at two sites at the Port of Tacoma. Continuous flow and rainfall data collected during the 2008-2009 monitoring period indicated that 89 storm events occurred. The monitoring obtained water quality data from 27 storm events. Not all the sampled storms produced information that met TAPE criteria for storm and/or water quality data.
2. During the testing at the Port of Tacoma, 98.96 to 99.89 percent of the annual influent runoff volume passed through the POT1 and POT2 test systems respectively. Stormwater runoff bypassed the POT1 test system during nine storm events and bypassed the POT2 test system during one storm event. Bypass volumes ranged from 0.13% to 15.3% of the influent storm volume. Both test systems achieved the 91 percent water quality treatment-goal over the 1-year monitoring period.
3. Consultants observed infiltration rates as high as 133 in/hr during the various storms. Filterra<sup>®</sup> did not provide any paired data that identified percent removal of TSS, metals, oil, or phosphorus at an instantaneous observed flow rate.
4. The maximum storm average hydraulic loading rate associated with water quality data is <40 in/hr, with the majority of flow rates < 25 in/hr. The average instantaneous hydraulic loading rate ranged from 8.6 to 53 inches per hour.
5. The field data showed a removal rate greater than 80% for TSS with an influent concentration greater than 20 mg/l at an average instantaneous hydraulic loading rate up to 53 in/hr (average influent concentration of 28.8 mg/l, average effluent concentration of 4.3 mg/l).
6. The field data showed a removal rate generally greater than 54% for dissolved zinc at an average instantaneous hydraulic loading rate up to 60 in/hr and an average influent concentration of 0.266 mg/l (average effluent concentration of 0.115 mg/l).
7. The field data showed a removal rate generally greater than 40% for dissolved copper at an average instantaneous hydraulic loading rate up to 35 in/hr and an average influent concentration of 0.0070 mg/l (average effluent concentration of 0.0036 mg/l).
8. The field data showed an average removal rate of 93% for total petroleum hydrocarbon (TPH) at an average instantaneous hydraulic loading rate up to 53 in/hr and an average influent concentration of 52 mg/l (average effluent concentration of 2.3 mg/l). The data



also shows achievement of less than 15 mg/l TPH for grab samples. Filterra® provided limited visible sheen data due to access limitations at the outlet monitoring location.

9. The field data showed low percentage removals of total phosphorus at all storm flows at an average influent concentration of 0.189 mg/l (average effluent concentration of 0.171 mg/l). We may relate the relatively poor treatment performance of the Filterra® system at this location to influent characteristics for total phosphorus that are unique to the Port of Tacoma site. It appears that the Filterra® system will not meet the 50 percent removal performance goal when you expect the majority of phosphorus in the runoff to be in the dissolved form.

#### Laboratory Testing

1. Filterra® performed laboratory testing on a scaled down version of the Filterra® unit. The lab data showed an average removal from 83-91% for TSS with influents ranging from 21 to 320 mg/L, 82-84% for total copper with influents ranging from 0.94 to 2.3 mg/L, and 50-61% for orthophosphate with influents ranging from 2.46 to 14.37 mg/L.
2. Filterra® conducted permeability tests on the soil media.
3. Lab scale testing using Sil-Co-Sil 106 showed percent removals ranging from 70.1% to 95.5% with a median percent removal of 90.7%, for influent concentrations ranging from 8.3 to 260 mg/L. Filterra® ran these laboratory tests at an infiltration rate of 50 in/hr.
4. Supplemental lab testing conducted in September 2009 using Sil-Co-Sil 106 showed an average percent removal of 90.6%. These laboratory tests were run at infiltration rates ranging from 25 to 150 in/hr for influent concentrations ranging from 41.6 to 252.5 mg/l. Regression analysis results indicate that the Filterra® system's TSS removal performance is independent of influent concentration in the concentration range evaluated at hydraulic loading rates of up to 150 in/hr.

#### **Contact Information:**

Applicant: Sean Darcy  
Contech Engineered Solutions, LLC.  
11815 Glenn Widing Dr  
Portland, OR 97220  
(503) 258-3105  
[darcys@conteches.com](mailto:darcys@conteches.com)

Applicant's Website: <http://www.conteches.com>

Ecology web link: <http://www.ecy.wa.gov/programs/wq/stormwater/newtech/index.html>

Ecology: Douglas C. Howie, P.E.  
Department of Ecology  
Water Quality Program  
(360) 407-6444  
[douglas.howie@ecy.wa.gov](mailto:douglas.howie@ecy.wa.gov)

<b>Date</b>	<b>Revision</b>
December 2009	GULD for Basic, Enhanced, and Oil granted, CULD for Phosphorus
September 2011	Extended CULD for Phosphorus Treatment
September 2012	Revised design storm discussion, added Shallow System.
January 2013	Revised format to match Ecology standards, changed Filterra contact information
February 2013	Added FTIB-P system
March 2013	Added FTIB-C system
April 2013	Modified requirements for identifying appropriate size of unit
June 2013	Modified description of FTIB-C alternate configuration
March 2014	GULD awarded for Phosphorus Treatment. GULD updated for a higher flow-rate for Basic Treatment.
June 2014	Revised sizing calculation methods
March 2015	Revised Contact Information
June 2015	CULD for Basic and Enhanced at 100 in/hr infiltration rate
November 2015	Removed information on CULD (created separate CULD document for 100 in/hr infiltration rate)
June 2016	Revised text regarding Hydraulic conductivity value



June 2016

**GENERAL USE LEVEL DESIGNATION FOR BASIC (TSS), ENHANCED,  
PHOSPHORUS & OIL TREATMENT**

**For**

**Americast Filterra® Bioscape™**

**Ecology's Decision:**

Based on Americast's submissions, including the Final Technical Evaluation Reports, dated March 27, 2014, December 2009 and additional information provided to Ecology, Ecology hereby issues the following use level designations:

1. A General Use Level Designation for Basic, Enhanced, Phosphorus, and Oil Treatment at the following water quality design hydraulic loading rates:

Treatment	Hydraulic Conductivity* (in/hr) for use in Western Washington Sizing	Infiltration Rate (in/hr) for use in eastern Washington Sizing
Basic	70.92	100
Phosphorus	70.92	100
Oil	35.46	50
Enhanced	24.82	35

\*calculated based on listed infiltration rate and a hydraulic gradient of 1.41 inch/inch (2.55 ft head with 1.80 ft media).

2. The Filterra® Bioscape™ unit is not appropriate for oil spill-control purposes.
3. Ecology approves the Filterra® Bioscape™ units for treatment at the hydraulic loading rates listed above, to achieve the maximum water quality design flow rate. Calculate the water quality design flow rates using the following procedures:

- Western Washington: for treatment installed upstream of detention or retention, the water quality design flow rate is the peak 15-minute flow rate as calculated using the latest version of the Western Washington Hydrology Model or other Ecology-approved continuous runoff model. The model must indicate the unit (represented in the model by a sand filter element routed to a gravel trench bed) is capable of processing 91 percent of the influent runoff file.
- Eastern Washington: For treatment installed upstream of detention or retention, the water quality design flow rate is the peak 15-minute flow rate as calculated using one of the three flow rate based methods described in Chapter 2.2.5 of the Stormwater Management Manual for Eastern Washington (SWMMEW) or local manual.

- Entire State: For treatment installed downstream of detention, the water quality design flow rate is the full 2-year release rate of the detention facility.

4. This General Use Level Designation has no expiration date but Ecology may revoke or amend the designation, and is subject to the conditions specified below.

### **Ecology's Conditions of Use:**

Filtterra<sup>®</sup> units shall comply with the following conditions:

1. Design, assemble, install, operate, and maintain the Filtterra<sup>®</sup> Bioscape<sup>™</sup> units in accordance with applicable Americast Filtterra<sup>®</sup> manuals, document, and the Ecology Decision.
2. Each site plan must undergo Americast Filtterra<sup>®</sup> review before Ecology can approve the unit for site installation. This will ensure that site grading and slope are appropriate for use of a Filtterra<sup>®</sup> Bioscape<sup>™</sup> unit.
3. Filtterra<sup>®</sup> Bioscape<sup>™</sup> media shall conform to the specifications submitted to and approved by Ecology. The media shall not differ from the media used in the standard Filtterra unit and as approved by Ecology.
4. Maintenance includes removing trash, degraded mulch, and accumulated debris from the filter surface and replacing the mulch layer. Use inspections to determine the site-specific maintenance schedules and requirements. Follow maintenance procedures given in the most recent version of the Filtterra<sup>®</sup> Bioscape<sup>™</sup> Operation and Maintenance Manual.
5. Maintenance: The required maintenance interval for stormwater treatment devices is often dependent upon the degree of pollutant loading from a particular drainage basin. Therefore, Ecology does not endorse or recommend a "one size fits all" maintenance cycle for a particular model/size of manufactured filter treatment device.
  - Filtterra designs their systems for a target maintenance interval of 6 months. Maintenance includes removing accumulated sediment and trash from the surface area of the media, removing the mulch above the media, replacing the mulch, providing plant health evaluation, and pruning the plant if deemed necessary.
  - Conduct maintenance following manufacturer's guidelines.
6. The minimum size filter surface-area for use in western Washington is determined by using the sand filter element connected to a gravel trench bed element in the latest version of WWHM or other Ecology approved continuous runoff model.

Sand Filter element model inputs include

- a. Filter media depth: 1.8 feet
- b. Effective Ponding Depth: 0.75 feet (This is equivalent to the 6-inch clear zone between the top of the mulch and the bottom of the slab plus 3-inches of mulch.)
- c. Side slopes: Vertical
- d. Riser height: 0.70 feet
- e. Filter Hydraulic Conductivity: Use the Hydraulic Conductivity as listed in the table above (use the lowest applicable hydraulic conductivity depending on the level of treatment required) under Ecology's Decision, above.

**Gravel Trench Bed element model inputs include:**

- a. Outlet 2 (discharge through the bottom of the sand filter element) should be connected to the gravel trench bed
- b. Outlet 1 (surface discharge from the sand filter element) represents the overflow (bypass through the Terraflume weir tray in the flow splitter) and should not be connected to the gravel trench bed
- c. Trench length and width: same as the Filterra® Bioscape™ unit (modeled in the sand filter element)
- d. Effective total depth: 1.167 feet (includes 1 foot of freeboard)
- e. Bottom slope: 0.001 ft/ft (must be a non-zero input)
- f. Riser height: 0.167 feet (depth of aggregate layer below underdrain pipe)
- g. Layer 1 thickness: 0.167 feet
- h. Layer 1 porosity: 0.3
- i. Infiltration: yes, if native soil infiltration is possible. Use short-term native soil infiltration rate with a safety factor of 4.

7. The minimum size filter surface-area for use in eastern Washington is determined by using the design water quality flow rate (as determined in item 3, above) and the Infiltration Rate from the above table (use the lowest applicable Infiltration Rate depending on the level of treatment required). Calculate the required area by dividing the water quality design flow rate (cu ft/sec) by the Infiltration Rate (converted to ft/sec) to obtain required surface area (sq ft) of the Filterra unit.
8. The distance from the point of entry of water to the most distant point on the surface of the Filterra® Bioscape™ treatment media shall not exceed 12-feet. The Filterra® Bioscape™ requires water to flow across the entire surface area to obtain optimal performance.
9. Users can design the Filterra® Bioscape™ units without an underdrain. Users shall design the system with a temporary water storage area beneath the treatment media to provide a detention reservoir. Water shall not saturate the treatment media at any time.
10. Discharges from the Filterra® units shall not cause or contribute to water quality standards violations in receiving waters.

**Applicant:** Filterra® Bioretention Systems, division of Americast, Inc.

**Applicant's Address:** 11352 Virginia Precast Road  
Ashland, VA, 23005

**Application Documents:**

- State of Washington Department of Ecology Application for Conditional Use Designation, Americast (September 2006)
- Quality Assurance Project Plan Filterra® Bioretention Filtration System Performance Monitoring, Americast (April 2008)
- Quality Assurance Project Plan Addendum Filterra® Bioretention Filtration System Performance Monitoring, Americast (June 2008)

- Draft Technical Evaluation Report Filterra® Bioretention Filtration System Performance Monitoring, Americast (August 2009)
- Final Technical Evaluation Report Filterra® Bioretention Filtration System Performance Monitoring, Americast (December 2009)
- Technical Evaluation Report Appendices Filterra® Bioretention Filtration System Performance Monitoring, Americast (August 2009)
- Memorandum to Department of Ecology Dated October 9, 2009 from Americast, Inc. and Herrera Environmental Consultants
- Quality Assurance Project Plan Filterra® Bioretention System Phosphorus treatment and Supplemental Basic and Enhanced Treatment Performance Monitoring, Americast (November 2011)
- Filterra® letter August 24, 2012 regarding sizing for the Filterra® Shallow System.
- University of Virginia Engineering Department Memo by Joanna Crowe Curran, Ph. D dated March 16, 2013 concerning capacity analysis of Filterra® internal weir inlet tray.
- Filterra® Bioscape™ Bioretention System Model Configuration Approval Request, January 2014
- Terraphase Engineering letter to Jodi Mills, P.E. dated April 2, 2013 regarding Terraflume Hydraulic Test, Filterra® Bioretention System and attachments.
- Technical Evaluation Report, Filterra® System Phosphorus Treatment and Supplemental Basic Treatment Performance Monitoring. March 27<sup>th</sup>, 2014.

#### **Applicant's Use Level Request:**

General Level Use Designation for Basic, Enhanced, Phosphorus, and Oil Treatment.

#### **Applicant's Performance Claims:**

Field-testing and laboratory testing show that the Filterra® unit is promising as a stormwater treatment best management practice and can meet Ecology's performance goals for basic, enhanced, phosphorus, and oil treatment.

#### **Findings of Fact:**

##### Field Testing 2013

1. Filterra® completed field-testing of a 6.5 ft x 4 ft. unit at one site in Bellingham, Washington. Continuous flow and rainfall data collected from January 1, 2013 through July 23, 2013 indicated that 59 storm events occurred. The monitoring obtained water quality data from 22 storm events. Not all the sampled storms produced information that met TAPE criteria for storm and/or water quality data.
2. The system treated 98.9 percent of the total 8-month runoff volume during the testing period. Consequently, the system achieved the goal of treating 91 percent of the volume from the site. Stormwater runoff bypassed during four of the 59 storm events.

3. Of the 22 sampled events, 18 qualified for TSS analysis (influent TSS concentrations ranged from 25 to 138 mg/L). The data were segregated into sample pairs with influent concentration greater than and less than 100 mg/L. The UCL95 mean effluent concentration for the data with influent less than 100 mg/L was 5.2 mg/L, below the 20-mg/L threshold. Although the TAPE guidelines do not require an evaluation of TSS removal efficiency for influent concentrations below 100 mg/L, the mean TSS removal for these samples was 90.1 percent. Average removal of influent TSS concentrations greater than 100 mg/L (three events) was 85 percent. In addition, the system consistently exhibited TSS removal greater than 80 percent at flow rates at a 100 inches per hour [in/hr] infiltration rate and was observed at 150 in/hr.
4. Ten of the 22 sampled events qualified for TP analysis. Americast augmented the dataset using two sample pairs from previous monitoring at the site. Influent TP concentrations ranged from 0.11 to 0.52 mg/L. The mean TP removal for these twelve events was 72.6 percent. The LCL95 mean percent removal was 66.0, well above the TAPE requirement of 50 percent. Treatment above 50 percent was evident at 100 in/hr infiltration rate and as high as 150 in/hr. Consequently, the Filterra® test system met the TAPE Phosphorus Treatment goal at 100 in/hr. Influent ortho-P concentrations ranged from 0.005 to 0.012 mg/L; effluent ortho-P concentrations ranged from 0.005 to 0.013 mg/L. The reporting limit/resolution for the ortho-P test method is 0.01 mg/L, therefore the influent and effluent ortho-P concentrations were both at or near non-detect concentrations.

#### Field Testing 2008-2009

1. Filterra® completed field-testing at two sites at the Port of Tacoma. Continuous flow and rainfall data collected during the 2008-2009 monitoring period indicated that 89 storm events occurred. The monitoring obtained water quality data from 27 storm events. Not all the sampled storms produced information that met TAPE criteria for storm and/or water quality data.
2. During the testing at the Port of Tacoma, 98.96 to 99.89 percent of the annual influent runoff volume passed through the POT1 and POT2 test systems respectively. Stormwater runoff bypassed the POT1 test system during nine storm events and bypassed the POT2 test system during one storm event. Bypass volumes ranged from 0.13% to 15.3% of the influent storm volume. Both test systems achieved the 91 percent water quality treatment-goal over the 1-year monitoring period.
3. Consultants observed infiltration rates as high as 133 in/hr during the various storms. Filterra® did not provide any paired data that identified percent removal of TSS, metals, oil, or phosphorus at an instantaneous observed flow rate.
4. The maximum storm average hydraulic loading rate associated with water quality data is <40 in/hr, with the majority of flow rates < 25 in/hr. The average instantaneous hydraulic loading rate ranged from 8.6 to 53 inches per hour.
5. The field data showed a removal rate greater than 80% for TSS with an influent concentration greater than 20 mg/l at an average instantaneous hydraulic loading rate up to 53 in/hr (average influent concentration of 28.8 mg/l, average effluent concentration of 4.3 mg/l).

6. The field data showed a removal rate generally greater than 54% for dissolved zinc at an average instantaneous hydraulic loading rate up to 60 in/hr and an average influent concentration of 0.266 mg/l (average effluent concentration of 0.115 mg/l).
7. The field data showed a removal rate generally greater than 40% for dissolved copper at an average instantaneous hydraulic loading rate up to 35 in/hr and an average influent concentration of 0.0070 mg/l (average effluent concentration of 0.0036 mg/l).
8. The field data showed an average removal rate of 93% for total petroleum hydrocarbon (TPH) at an average instantaneous hydraulic loading rate up to 53 in/hr and an average influent concentration of 52 mg/l (average effluent concentration of 2.3 mg/l). The data also shows achievement of less than 15 mg/l TPH for grab samples. Filterra<sup>®</sup> provided limited visible sheen data due to access limitations at the outlet monitoring location.
9. The field data showed low percentage removals of total phosphorus at all storm flows at an average influent concentration of 0.189 mg/l (average effluent concentration of 0.171 mg/l). We may relate the relatively poor treatment performance of the Filterra<sup>®</sup> system at this location to influent characteristics for total phosphorus that are unique to the Port of Tacoma site. It appears that the Filterra<sup>®</sup> system will not meet the 50 percent removal performance goal when you expect the majority of phosphorus in the runoff to be in the dissolved form.

#### Laboratory Testing

1. Filterra<sup>®</sup> performed laboratory testing on a scaled down version of the Filterra<sup>®</sup> unit. The lab data showed an average removal from 83-91% for TSS with influents ranging from 21 to 320 mg/L, 82-84% for total copper with influents ranging from 0.94 to 2.3 mg/L, and 50-61% for orthophosphate with influents ranging from 2.46 to 14.37 mg/L.
2. Filterra<sup>®</sup> conducted permeability tests on the soil media.
3. Lab scale testing using Sil-Co-Sil 106 showed percent removals ranging from 70.1% to 95.5% with a median percent removal of 90.7%, for influent concentrations ranging from 8.3 to 260 mg/L. Filterra<sup>®</sup> ran these laboratory tests at an infiltration rate of 50 in/hr.
4. Supplemental lab testing conducted in September 2009 using Sil-Co-Sil 106 showed an average percent removal of 90.6%. These laboratory tests were run at infiltration rates ranging from 25 to 150 in/hr for influent concentrations ranging from 41.6 to 252.5 mg/l. Regression analysis results indicate that the Filterra<sup>®</sup> system's TSS removal performance is independent of influent concentration in the concentration range evaluated at hydraulic loading rates of up to 150 in/hr.



**Contact Information:**

Applicant: Sean Darcy  
Contech Engineered Solutions, LLC.  
11815 Glenn Widing Dr  
Portland, OR 97220  
(503) 258-3105  
[darcys@conteches.com](mailto:darcys@conteches.com)

Applicant's Website: <http://www.conteches.com>

Ecology web link: <http://www.ecy.wa.gov/programs/wq/stormwater/newtech/index.html>

Ecology: Douglas C. Howie, P.E.  
Department of Ecology  
Water Quality Program  
(360) 407-6444  
[douglas.howie@ecy.wa.gov](mailto:douglas.howie@ecy.wa.gov)

<b>Date</b>	<b>Revision</b>
July 2014	GULD for Basic, Enhanced, Phosphorus and Oil granted
March 2015	Revised Contact Information
December 2015	Revised device name from Filterra® Boxless™ to Filterra® Bioscape™
June 2016	Revised text regarding Hydraulic conductivity value

**Note:**

Some pages in this document have been purposely skipped or blank pages inserted so that this document will copy correctly when duplexed.



February 2013

## GENERAL USE LEVEL DESIGNATION FOR BASIC (TSS) TREATMENT

For

### CONTECH Engineered Solutions Media Filtration System (MFS)

#### **Ecology's Decision:**

1. **Based on the Contech's application submissions and recommendations by the Technical Review Committee (TRC), Ecology hereby issues a General Use Level Designation (GULD) for the Media Filtration System (MFS):**
  - **As a basic stormwater treatment practice for total suspended solids (TSS) removal,**
  - **Using perlite media, with the size distribution described below,**
  - **Sized for a range of cartridge sizes from 12-inches to 22-inches tall assuming a constant unit flow rate of 1-gpm for every 2.44 inches of height. This results in an allowable operating rate of 4.9 gpm for the 12-inch tall cartridge and 9.0 gpm for the 22-inch tall cartridge (except as stated in Condition #1, below), and**
  - **Internal bypassing needs to be consistent with the design guidelines in Contech's current product design manual. Off-line configurations allow for easy identification of maintenance needs.**
  
2. **Ecology approved MFS systems containing perlite for treatment at 9.0 GPM for 22-inch tall cartridges and 4.9 gpm for 12-inch tall cartridges per 18-inch diameter cartridge. Designers shall calculate the water quality design flow rates using the following procedures:**
  - **Western Washington: For treatment installed upstream of detention or retention, the water quality design flow rate is the peak 15-minute flow rate as calculated using the latest version of the Western Washington Hydrology Model or other Ecology-approved continuous runoff model.**
  - **Eastern Washington: For treatment installed upstream of detention or retention, the water quality design flow rate is the peak 15-minute flow rate as calculated using one of the three methods described in Chapter 2.2.5 of the**

**Stormwater Management Manual for Eastern Washington (SWMM EW) or local manual.**

- **Entire State: For treatment installed downstream of detention, the water quality design flow rate is the full 2-year release rate of the detention facility.**

- 3. This designation has no expiration date, but it may be amended or revoked by Ecology, and is subject to the conditions specified below.**

### **Ecology's Conditions of Use:**

**The MFS shall comply with these conditions:**

- 1. Design, assemble, install, operate, and maintain the MFS system in accordance with applicable Contech Engineered Solutions manuals, documents and the Ecology Decision.**
- 2. Install the MFS in such a manner that you bypass flows exceeding 9.0 gpm/cartridge or you will not re-suspend previously captured sediments. Design MFS in accordance with the performance goals in Ecology's most recent Stormwater Manual. The design, pretreatment, land use application, and maintenance criteria must follow the MFS design requirements.**
- 3. Maintenance: The required maintenance interval for stormwater treatment devices is often dependent upon the degree of pollutant loading from a particular drainage basin. Therefore, Ecology does not endorse or recommend a "one size fits all" maintenance cycle for a particular model/size of manufactured filter treatment device.**

- **Typically, CONTECH designs the MFS for a target filter media replacement interval of 12 months. Maintenance includes removing accumulated sediment from the vault, and replacing spent cartridges with recharged cartridges.**
- **Testing results provided to Ecology for the Basic GULD approval indicate:**
  - **At one site, filter cartridges were still in operation after approximately ten months of monitoring and 35.6 inches of rainfall, with no apparent decrease in performance.**
  - **At a second site, Contech ceased monitoring before the hydraulic capacity decreased. Contech replaced cartridges after approximately four months of monitoring and 20.4 inches of rainfall to conduct a loading mass balance of the system. The loading mass balance of the entire system resulted in 51 lbs of sediment per cartridge.**
  - **Blockage or occlusion of the media did not occur as evidenced by lack of a decrease in TSS treatment or by elevated vault water levels during monitored storm events at either site. Contech analyzed spent cartridges and determined the cartridges were at full capacity for the**

**theoretical maximum allowable amount of solids capture.**

- **The above particular maintenance intervals do not necessarily determine the overall maintenance frequency for all Media Filtration Systems.**
- **Owners/operators must inspect the MFS for a minimum of twelve months from the start of post-construction operation to determine site-specific maintenance schedules and requirements. You must conduct inspections monthly during the wet season, and every other month during the dry season. (According to the SWMMWW, the wet season in western Washington is October 1 to April 30. According to SWMMEW, the wet season in eastern Washington is October 1 to June 30). After the first year of operation, owners/operators must conduct inspections based on the findings during the first year of inspections.**
- **Conduct inspections by qualified personnel, follow manufacturer's guidelines, and you must use methods capable of determining either a decrease in treated effluent flowrate and/or a decrease in pollutant removal ability.**
- **When inspections are performed, the following findings typically serve as maintenance triggers:**
  - **Accumulated vault sediment depths exceed an average of 12 inches, or**
  - **Accumulated sediment depths on the tops of the cartridges exceed an average of 0.5 inches, or**
  - **If excessive floatables (trash and debris) are present, perform a minor maintenance consisting of gross solids removal, not cartridge replacement.**
  - **Bypass during storms smaller than the design storm.**

**4. Contech shall maintain readily available those reports listed under "Application Documents" as public, as well as the documentation submitted with its previous conditional use designation application. Contech shall make this information available upon request, at no cost and in a timely manner.**

**5. The perlite media used shall conform with the following specifications:**

**The size of the media ranges from 0.125 to 0.375 inches. The dry bulk density ranges from 4.5 to 6.5 lbs per cubic foot. The following table shows a typical particle size distribution of the perlite media**

**Sieve Analysis of the perlite media:**

<b>US Sieve No.</b>	<b>Sieve Opening (µm)</b>	<b>% Retained by Volume</b>
4	4760	35-50
8	2360	75-99
16	1180	98-100
30	600	99-100
50	300	99-100
100	150	99-100

**Each 22 inch cartridge contains a total of approximately 3.14 cubic feet of media.**

**Applicant:** Contech Engineered Solutions

**Applicant's Address:** Contech Engineered Solutions  
11835 NE Glen Widing Drive  
Portland, OR 97220

**Application Documents:**

“Application to Washington Department of Ecology Water Control Program for General Use Level Designation of Media Filtration System – Technical Evaluation Engineering Report”, Contech Engineered Solutions, July 2006. It includes the following public report:

- (Public) “Evaluation of the Media Filtration System: Data Validation Report and Summary of the Technical Evaluation Engineering Report (TEER)”, Water Resources Management, June 2006.
- Ecology’s technology assessment protocol requires the applicant to hire an independent consultant to complete the following work:
  1. Complete the data validation report.
  2. Prepare a TEER summary, including a testing summary and conclusions compared with the supplier’s performance claims.
  3. Provide a recommendation of the appropriate technology use level.
  4. Ecology recommends you post relevant information on Ecology’s website.
  5. Provide additional testing recommendations, if needed.”
- This report, authored by Roger B. James, P.E., Water Resources Management, satisfies the Ecology requirement.

Above-listed document noted as “public” is available by contacting Contech.

**Applicant's Use Level Request:**

General Use Level Designation for Basic Treatment for the MFS using perlite at 9.0 GPM/filter (18-in diameter, 22-in tall) in accordance with Ecology's most recent stormwater management manual.

**Applicant's Performance Claim:**

The combined data from the two field sites reported in this TEER (Silverton Highway, Hillsboro, OR and Lolo Pass, Zigzag, OR) indicate that the performance of a MFS configured for inline bypass with perlite media and a 9.0 GPM filtration rate per 22-inch tall cartridge meets Ecology performance goals for Basic Treatment.

**Technical Review Committee Recommendations:**

The TRC, based on the weight of the evidence and using its best professional judgment, finds that:

- The MFS, using perlite media and operating at no more than 9.0 GPM per 22-inch tall cartridge is expected to provide effective stormwater treatment achieving Ecology's basic treatment removal goals, as demonstrated by field and laboratory testing performed in accordance with the protocol; and
- Ecology deems the MFS satisfactory with respect to factors other than treatment performance.

**Findings of Fact:**

- Influent TSS concentrations and particle size distributions were generally within the range of "typical" concentrations for western Washington (silt to silt loam).
- Contech sampled storm events at two monitoring sites for storms from December 2005 to April 2006, and deemed twenty nine (29) as "qualified" and were therefore included in the data evaluation. Both sites were located on roadways.
- Statistical analysis of these 29 storm events verifies the data set's adequacy.
- For the ten (10) qualifying events with influent TSS concentrations greater than 100 mg/L but less than 300 mg/L, the average influent concentration, average effluent concentration, and average pollutant reduction were 151.70 mg/L, 24.81 mg/L, and 83.6%, respectively.
- For the nineteen (19) qualifying events with influent TSS concentrations less than 100 mg/L, the average influent concentration, average effluent concentration, and average pollutant reduction were 61.42 mg/L, 19.09 mg/L, and 68.9%, respectively.
- The float control valve operated as designed according to the inflow, outflow and water elevation measurements in the vault.
- Laboratory testing using U.S. Sil-Co-Sil 106 showed removal rates around 85% for flowrates 10 GPM or below, and between 72% and 81% for flowrates at or above 15 GPM.

- At the Silverton site, flows ranged between 19.6% and 304.5% of the water quality design flowrate, and averaged 138% of the water quality design flowrate.
- At the Lolo Pass site, flows ranged between 7.8% and 150.9% of the water quality design flowrate, and averaged 57.4% of the water quality design flowrate.
- Analyzing the individual storm events at Lolo Pass, Zigzag (20 storms) and Silverton Highway, Hillsboro site (11 storms), the average removal of total chromium ranged from 62.1% to 62.9%, the average removal of total zinc ranged from 51.9% to 63.5%, the average removal of total copper ranged from 57.2% to 61.3%, and the average removal of total lead ranged from 69.4% to 70.9%. These removals do not qualify for an enhanced treatment designation.
- Analyzing the individual storm events at Lolo Pass, Zigzag (17 storms) and Silverton Highway, Hillsboro site (11 storms) the removal of total phosphorus was 67%. These removals do not qualify for phosphorus treatment designations.
- The Contech application included a satisfactory discussion for the “Factors other than Treatment Performance” section.

*Note: Ecology’s 80% TSS removal goal applies to 100 mg/l and greater influent TSS. Below 100 mg/L influent TSS, the goal is 20 mg/L effluent TSS.*



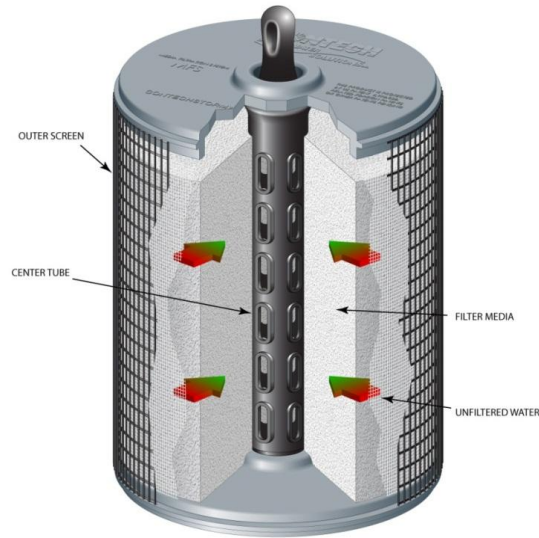
## **Technology Description and System Operation:**

A weir diverts stormwater runoff entering the system and water flows to the portion of the vault beneath the cartridge where the system settles and captures larger solids. The system operates by filtering the stormwater through media filled cartridges. The system is designed to allow approximately 3 GPM or less to flow through each cartridge while the water level is rising in the vault (slide gate is in the closed position).

Filtered water enters a perforated drain tube located in the center of the cartridge and flows to the collector manifold through a flexible pipe. Contech plumbed the manifold to a float controlled slide gate that sets the overall operational control of the Media Filtration System to achieve a balance between flow and driving head level. Contech designed the float to fully open the slide gate as the water level reaches the top of the cartridges. The float control valve ensures that the system develops a uniform vertical pressure distribution from the bottom to the top of each cartridge, which ensures even hydraulic loading and maximum exposure of the perlite media within each cartridge filter at the same time and hydraulic loading rate.

After the storm event has ended, the remaining water is slowly released at less than or equal to 3GPM through each cartridge and the slide gate until the vault is drained to the outlet pipe's invert level. This less than or equal to 3 GPM/cartridge drain down is an engineered process that has been designed into the slide gate and is referred as the "leakage". This operation of the slide gate assures that the system doesn't expose media to artificial shocking flows or abrupt hammering hydraulic forces that can destabilize and/or induce channelization through the media. When stormwater runoff flows recede, the float controlled slide gate will close until the next triggering runoff event.

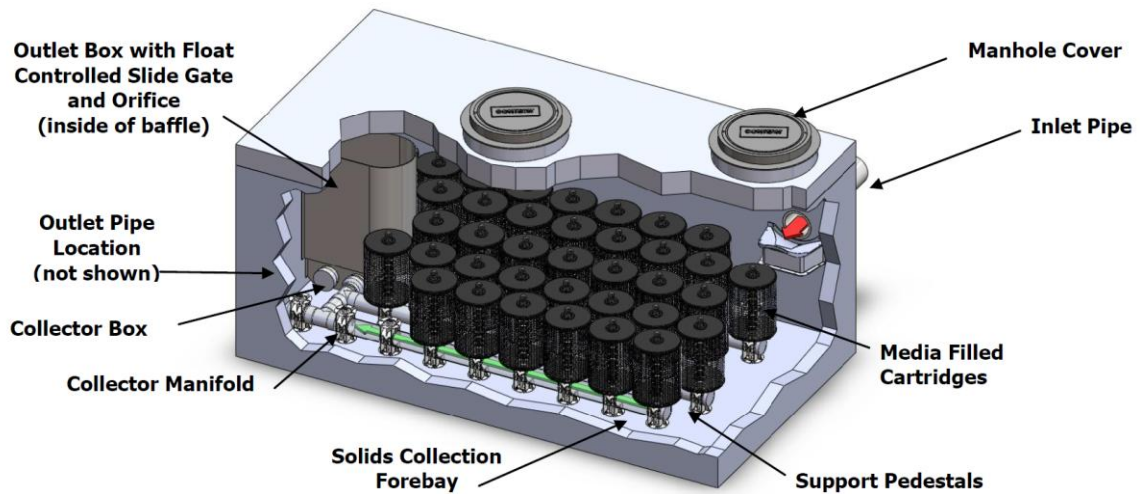
Contech positions cartridges 21 inches above the vault floor providing an underbay (forebay) volume for settling larger, heavier sediments below the cartridges preventing occlusion of the media resulting from sediment buildup. When the system is operating at a 9GPM/cartridge design loading rate, the maximum upflow velocity in the vault is approximately 2 mm/sec. At this upflow velocity, particles in the 45 to 50 micron size range with a specific gravity of 2.65 may settle in the area beneath the cartridges removing the majority of the mass of suspended solids found in stormwater runoff. This presettling design feature makes for long filter bed run times, reduces the frequency of maintenance, and negates the need to thoroughly clean the entire vault structure each time you exchange or recharge media cartridges.



**Figure 1 - Image of a MFS cartridge**

**MFS Configurations:**

Contech offers the MFS in four basic configurations: precast manhole, trench catchbasin, and vault or cast-in-place vault form. The precast models use pre-manufactured units to ease the design and installation process. Contech can customize cast-in-place units for larger flows and may be either uncovered or covered underground units.



**Figure 2 - The Precast Media Filtration System**

**Recommended Research and Development:**

Ecology encourages Contech to pursue continuous improvements to the MFS. To that end, Ecology recommends the following actions:

- Conduct a hydraulic analysis of units that require complete drawdown of water between events. Conduct a hydraulic analysis to discover the percent of untreated water that is lost during drawdown and operation of these units.
- Continue work on developing best operation and maintenance practices. Contech is encouraged to update Ecology and the TRC of their operation and maintenance experiences.
- As you gain experience on operation and maintenance, Contech is encouraged to update their O&M manual to reflect learned knowledge.

**Contact Information:**

Applicant Contact: Sean Darcy  
Contech Engineered Solutions  
11835 NE Glenn Widing Drive  
Portland, OR, 97220  
503-258-3105  
[sdarcy@conteches.com](mailto:sdarcy@conteches.com)

Applicant Web link: [www.conteches.com](http://www.conteches.com)

Ecology web link: [www.ecy.wa.gov/programs/wq/stormwater/newtech/index.html](http://www.ecy.wa.gov/programs/wq/stormwater/newtech/index.html)

Ecology Contact: Douglas C. Howie, P.E.  
Water Quality Program  
(360) 407-6444  
[douglas.howie@ecy.wa.gov](mailto:douglas.howie@ecy.wa.gov)

**Revision History**

<b>Date</b>	<b>Revision</b>
November 2006	GULD for Basic Treatment
December 2011	Updated information on cartridge heights and flows
February 2013	Maintenance requirements updated, design storm discussion revised

**Note:**

Some pages in this document have been purposely skipped or blank pages inserted so that this document will copy correctly when duplexed.



**December 2015**

**GENERAL USE LEVEL DESIGNATION FOR BASIC, ENHANCED, AND PHOSPHORUS TREATMENT**

**For the**

**MWS-Linear Modular Wetland**

**Ecology's Decision:**

Based on Modular Wetland Systems, Inc. application submissions, including the Technical Evaluation Report, dated April 1, 2014, Ecology hereby issues the following use level designation:

1. General use level designation (GULD) for the MWS-Linear Modular Wetland Stormwater Treatment System for Basic treatment
  - Sized at a hydraulic loading rate of 1 gallon per minute (gpm) per square foot (sq ft) of wetland cell surface area. For moderate pollutant loading rates (low to medium density residential basins), size the Prefilters at 3.0 gpm/sq ft of cartridge surface area. For high loading rates (commercial and industrial basins), size the Prefilters at 2.1 gpm/sq ft of cartridge surface area.
2. General use level designation (GULD) for the MWS-Linear Modular Wetland Stormwater Treatment System for Phosphorus treatment
  - Sized at a hydraulic loading rate of 1 gallon per minute (gpm) per square foot (sq ft) of wetland cell surface area. For moderate pollutant loading rates (low to medium density residential basins), size the Prefilters at 3.0 gpm/sq ft of cartridge surface area. For high loading rates (commercial and industrial basins), size the Prefilters at 2.1 gpm/sq ft of cartridge surface area.
3. General use level designation (GULD) for the MWS-Linear Modular Wetland Stormwater Treatment System for Enhanced treatment
  - Sized at a hydraulic loading rate of 1 gallon per minute (gpm) per square foot (sq ft) of wetland cell surface area. For moderate pollutant loading rates (low to medium density residential basins), size the Prefilters at 3.0 gpm/sq ft of cartridge surface area. For high loading rates (commercial and industrial basins), size the Prefilters at 2.1 gpm/sq ft of cartridge surface area.

4. Ecology approves the MWS - Linear Modular Wetland Stormwater Treatment System units for Basic, Phosphorus, and Enhanced treatment at the hydraulic loading rate listed above. Designers shall calculate the water quality design flow rates using the following procedures:

- Western Washington: For treatment installed upstream of detention or retention, the water quality design flow rate is the peak 15-minute flow rate as calculated using the latest version of the Western Washington Hydrology Model or other Ecology-approved continuous runoff model.
- Eastern Washington: For treatment installed upstream of detention or retention, the water quality design flow rate is the peak 15-minute flow rate as calculated using one of the three methods described in Chapter 2.2.5 of the Stormwater Management Manual for Eastern Washington (SWMMEW) or local manual.
- Entire State: For treatment installed downstream of detention, the water quality design flow rate is the full 2-year release rate of the detention facility.

5. These use level designations have no expiration date but may be revoked or amended by Ecology, and are subject to the conditions specified below.

**Ecology's Conditions of Use:**

Applicants shall comply with the following conditions:

1. Design, assemble, install, operate, and maintain the MWS – Linear Modular Wetland Stormwater Treatment System units, in accordance with Modular Wetland Systems, Inc. applicable manuals and documents and the Ecology Decision.
2. Each site plan must undergo Modular Wetland Systems, Inc. review and approval before site installation. This ensures that site grading and slope are appropriate for use of a MWS – Linear Modular Wetland Stormwater Treatment System unit.
3. MWS – Linear Modular Wetland Stormwater Treatment System media shall conform to the specifications submitted to, and approved by, Ecology.
4. The applicant tested the MWS – Linear Modular Wetland Stormwater Treatment System with an external bypass weir. This weir limited the depth of water flowing through the media, and therefore the active treatment area, to below the root zone of the plants. This GULD applies to MWS – Linear Modular Wetland Stormwater Treatment Systems whether plants are included in the final product or not.
5. Maintenance: The required maintenance interval for stormwater treatment devices is often dependent upon the degree of pollutant loading from a particular drainage basin. Therefore, Ecology does not endorse or recommend a “one size fits all” maintenance cycle for a particular model/size of manufactured filter treatment device.

- Typically, Modular Wetland Systems, Inc. designs MWS - Linear Modular Wetland systems for a target prefilter media life of 6 to 12 months.
- Indications of the need for maintenance include effluent flow decreasing to below the design flow rate or decrease in treatment below required levels.
- Owners/operators must inspect MWS - Linear Modular Wetland systems for a minimum of twelve months from the start of post-construction operation to determine site-specific

maintenance schedules and requirements. You must conduct inspections monthly during the wet season, and every other month during the dry season. (According to the SWMMWW, the wet season in western Washington is October 1 to April 30. According to SWMMEW, the wet season in eastern Washington is October 1 to June 30). After the first year of operation, owners/operators must conduct inspections based on the findings during the first year of inspections.

- Conduct inspections by qualified personnel, follow manufacturer's guidelines, and use methods capable of determining either a decrease in treated effluent flowrate and/or a decrease in pollutant removal ability.
- When inspections are performed, the following findings typically serve as maintenance triggers:
  - Standing water remains in the vault between rain events, or
  - Bypass occurs during storms smaller than the design storm.
  - If excessive floatables (trash and debris) are present (but no standing water or excessive sedimentation), perform a minor maintenance consisting of gross solids removal, not prefilter media replacement.
  - Additional data collection will be used to create a correlation between pretreatment chamber sediment depth and pre-filter clogging (see *Issues to be Addressed by the Company* section below)

6. Discharges from the MWS - Linear Modular Wetland Stormwater Treatment System units shall not cause or contribute to water quality standards violations in receiving waters.

Applicant: Modular Wetland Systems, Inc.  
Applicant's Address: PO. Box 869  
Oceanside, CA 92054

**Application Documents:**

- *Original Application for Conditional Use Level Designation*, Modular Wetland System, Linear Stormwater Filtration System Modular Wetland Systems, Inc., January 2011
- *Quality Assurance Project Plan: Modular Wetland system – Linear Treatment System performance Monitoring Project*, draft, January 2011.
- *Revised Application for Conditional Use Level Designation*, Modular Wetland System, Linear Stormwater Filtration System Modular Wetland Systems, Inc., May 2011
- *Memorandum: Modular Wetland System-Linear GULD Application Supplementary Data*, April 2014
- *Technical Evaluation Report: Modular Wetland System Stormwater Treatment System Performance Monitoring*, April 2014.

**Applicant's Use Level Request:**

General use level designation as a Basic, Enhanced, and Phosphorus treatment device in accordance with Ecology's Guidance for Evaluating Emerging Stormwater Treatment Technologies Technology Assessment Protocol – Ecology (TAPE) January 2011 Revision.

**Applicant's Performance Claims:**

- The MWS – Linear Modular wetland is capable of removing a minimum of 80-percent of TSS from stormwater with influent concentrations between 100 and 200 mg/l.
- The MWS – Linear Modular wetland is capable of removing a minimum of 50-percent of Total Phosphorus from stormwater with influent concentrations between 0.1 and 0.5 mg/l.
- The MWS – Linear Modular wetland is capable of removing a minimum of 30-percent of dissolved Copper from stormwater with influent concentrations between 0.005 and 0.020 mg/l.
- The MWS – Linear Modular wetland is capable of removing a minimum of 60-percent of dissolved Zinc from stormwater with influent concentrations between 0.02 and 0.30 mg/l.

**Ecology Recommendations:**

- Modular Wetland Systems, Inc. has shown Ecology, through laboratory and field-testing, that the MWS - Linear Modular Wetland Stormwater Treatment System filter system is capable of attaining Ecology's Basic, Total phosphorus, and Enhanced treatment goals.

**Findings of Fact:**Laboratory Testing

The MWS-Linear Modular wetland has the:

- Capability to remove 99 percent of total suspended solids (using Sil-Co-Sil 106) in a quarter-scale model with influent concentrations of 270 mg/L.
- Capability to remove 91 percent of total suspended solids (using Sil-Co-Sil 106) in laboratory conditions with influent concentrations of 84.6 mg/L at a flow rate of 3.0 gpm per square foot of media.
- Capability to remove 93 percent of dissolved Copper in a quarter-scale model with influent concentrations of 0.757 mg/L.
- Capability to remove 79 percent of dissolved Copper in laboratory conditions with influent concentrations of 0.567 mg/L at a flow rate of 3.0 gpm per square foot of media.
- Capability to remove 80.5-percent of dissolved Zinc in a quarter-scale model with influent concentrations of 0.95 mg/L at a flow rate of 3.0 gpm per square foot of media.
- Capability to remove 78-percent of dissolved Zinc in laboratory conditions with influent concentrations of 0.75 mg/L at a flow rate of 3.0 gpm per square foot of media.



## Field Testing

- Modular Wetland Systems, Inc. conducted monitoring of an MWS-Linear (Model # MWS-L-4-13) from April 2012 through May 2013, at a transportation maintenance facility in Portland, Oregon. The manufacturer collected flow-weighted composite samples of the system's influent and effluent during 28 separate storm events. The system treated approximately 75 percent of the runoff from 53.5 inches of rainfall during the monitoring period. The applicant sized the system at 1 gpm/sq ft. (wetland media) and 3gpm/sq ft. (prefilter).
- Influent TSS concentrations for qualifying sampled storm events ranged from 20 to 339 mg/L. Average TSS removal for influent concentrations greater than 100 mg/L (n=7) averaged 85 percent. For influent concentrations in the range of 20-100 mg/L (n=18), the upper 95 percent confidence interval about the mean effluent concentration was 12.8 mg/L.
- Total phosphorus removal for 17 events with influent TP concentrations in the range of 0.1 to 0.5 mg/L averaged 65 percent. A bootstrap estimate of the lower 95 percent confidence limit (LCL95) of the mean total phosphorus reduction was 58 percent.
- The lower 95 percent confidence limit of the mean percent removal was 60.5 percent for dissolved zinc for influent concentrations in the range of 0.02 to 0.3 mg/L (n=11). The lower 95 percent confidence limit of the mean percent removal was 32.5 percent for dissolved copper for influent concentrations in the range of 0.005 to 0.02 mg/L (n=14) at flow rates up to 28 gpm (design flow rate 41 gpm). Laboratory test data augmented the data set, showing dissolved copper removal at the design flow rate of 41 gpm (93 percent reduction in influent dissolved copper of 0.757 mg/L).

## **Issues to be addressed by the Company:**

1. Modular Wetland Systems, Inc. should collect maintenance and inspection data for the first year on all installations in the Northwest in order to assess standard maintenance requirements for various land uses in the region. Modular Wetland Systems, Inc. should use these data to establish required maintenance cycles.
2. Modular Wetland Systems, Inc. should collect pre-treatment chamber sediment depth data for the first year of operation for all installations in the Northwest. Modular Wetland Systems, Inc. will use these data to create a correlation between sediment depth and pre-filter clogging.

## **Technology Description:**

Download at <http://www.modularwetlands.com/>

## **Contact Information:**

Applicant:

Greg Kent  
Modular Wetland Systems, Inc.  
P.O. Box 869  
Oceanside, CA 92054  
[gkent@biocleanenvironmental.net](mailto:gkent@biocleanenvironmental.net)

Applicant website: <http://www.modularwetlands.com/>

Ecology web link: <http://www.ecy.wa.gov/programs/wg/stormwater/newtech/index.html>

Ecology: Douglas C. Howie, P.E.  
Department of Ecology  
Water Quality Program  
(360) 407-6444  
[douglas.howie@ecy.wa.gov](mailto:douglas.howie@ecy.wa.gov)

**Revision History**

<b>Date</b>	<b>Revision</b>
June 2011	Original use-level-designation document
September 2012	Revised dates for TER and expiration
January 2013	Modified Design Storm Description, added Revision Table, added maintenance discussion, modified format in accordance with Ecology standard
December 2013	Updated name of Applicant
April 2014	Approved GULD designation for Basic, Phosphorus, and Enhanced treatment
December 2015	Updated GULD to document the acceptance of MWS-Linear Modular Wetland installations with or without the inclusion of plants.



June 2016

## GENERAL USE LEVEL DESIGNATION FOR BASIC AND PHOSPHORUS TREATMENT

For

**Kristar/Oldcastle Precast, Inc. FloGard Perk Filter™ (using ZPC Filter Media)**

### Ecology's Decision:

Based on Kristar/Oldcastle's application submissions, including the Draft Technical Evaluation Report, dated April 2010, Ecology hereby issues the following use level designations:

1. General use level designation (GULD) for the Perk Filter™ for basic treatment:
  - Using a zeolite-perlite-carbon (ZPC) filter media as specified by Kristar/Oldcastle.
  - Sized at hydraulic loading rate of no more than 1.5 gpm/ft<sup>2</sup> of media surface area, per Table 1.

Table 1. Design Flowrate per Cartridge

Effective Cartridge Height (inches)	12	18
Cartridge Flowrate (gpm/cartridge)	6.8	10.2

2. General use level designation (GULD) for the Perk Filter™ for phosphorus treatment:
  - Using a zeolite-perlite-carbon (ZPC) filter media as specified by Kristar/Oldcastle.
  - Sized at hydraulic loading rate of no more than 1.5 gpm/ft<sup>2</sup> of media surface area, per Table 1.
3. Ecology approves Perk Filter™ units for treatment at the hydraulic loading rates shown in Table 1, and sized based on the water quality design flow rate for an off-line system. The internal weir in the inlet chamber functions as a bypass to route flow in excess of the water quality design flow rate around the treatment chamber. Calculate the water quality design flow rate using the following procedures:
  - **Western Washington:** For treatment installed upstream of detention or retention, the water quality design flow rate is the peak 15-minute flow rate as calculated using the latest version of the Western Washington Hydrology Model or other Ecology-approved continuous runoff model.

- **Eastern Washington:** For treatment installed upstream of detention or retention, the water quality design flow rate is the peak 15-minute flow rate as calculated using one of the three methods described in Chapter 2.2.5 of the Stormwater Management Manual for Eastern Washington (SWMMEW) or local manual.
- **Entire State:** For treatment installed downstream of detention, the water quality design flow rate is the full 2-year release rate of the detention facility.

**4. These General Use Level Designations have no expiration date but may be revoked or amended by Ecology, and are subject to the conditions specified below.**

**Ecology's Conditions of Use:**

**Perk Filter™ units shall comply with the following conditions:**

- 1. Design, assemble, install, operate, and maintain Perk Filter™ units in accordance with Kristar/Oldcastle's applicable manuals and documents and the Ecology Decision.**
- 2. Each site plan must undergo Kristar/Oldcastle review and approval before site installation. This ensures that site grading and slope are appropriate for use of a Perk Filter™ unit.**
- 3. Perk Filter™ media shall conform to the specifications submitted to, and approved by, Ecology.**
- 4. Maintenance: The required maintenance interval for stormwater treatment devices is often dependent upon the degree of pollutant loading from a particular drainage basin. Therefore, Ecology does not endorse or recommend a "one size fits all" maintenance cycle for a particular model/size of manufactured filter treatment device.**

- **Typically, Kristar/Oldcastle designs PerkFilter systems for a target filter media replacement interval of 12 months. Maintenance includes removing accumulated sediment from the vault, and replacing spent cartridges with recharged cartridges.**
- **Indications of the need for maintenance include effluent flow decreasing to below the design flow rate, as indicated by the scumline above the shoulder of the cartridge.**
- **Owners/operators must inspect PerkFilter for a minimum of twelve months from the start of post-construction operation to determine site-specific maintenance schedules and requirements. You must conduct inspections monthly during the wet season, and every other month during the dry season. (According to the SWMMWW, the wet season in western Washington is October 1 to April 30. According to SWMMEW, the wet season in eastern Washington is October 1 to June 30). After the first year of operation, owners/operators must conduct inspections based on the findings during the first year of inspections.**

- Conduct inspections by qualified personnel, follow manufacturer’s guidelines, and use methods capable of determining either a decrease in treated effluent flowrate and/or a decrease in pollutant removal ability.
- When inspections are performed, the following findings typically serve as maintenance triggers:
  - Accumulated vault sediment depths exceed an average of 2 inches, or
  - Accumulated sediment depths on the tops of the cartridges exceed an average of 0.5 inches, or
  - Standing water remains in the vault between rain events, or
  - Bypass occurs during storms smaller than the design storm.
- Note: If excessive floatables (trash and debris) are present, perform a minor maintenance consisting of gross solids removal, not cartridge replacement.

**5. Discharges from the Perk Filter™ units shall not cause or contribute to water quality standards violations in receiving waters.**

**Applicant:** Kristar/Oldcastle Precast, Inc.

**Applicant’s Address:** 360 Sutton Place  
Santa Rosa, California 95407

**Application Documents:**

- Perk Filter™ Final Report, prepared by: Office of Water Programs, California State University, Sacramento (September 2007)
- Verification Phase of Perk Filter™ Tests with Zeolite-Perlite-Carbon Media and Zeolite-Carbon Media (August 2007)
- Quality Assurance Project Plan KriStar Perk Filter™ Stormwater Treatment Performance Monitoring Project, October 2008 Draft
- Technical Evaluation Report Volume 1: KriStar Perk Filter™ Stormwater Treatment System Performance Monitoring, April 2010
- Technical Evaluation Report Volume 2 - Appendices: KriStar Perk Filter™ Stormwater Treatment System Performance Monitoring, April 2010.

**Applicant’s Use Level Request:**

- General use level designation as a basic and Phosphorus treatment device in accordance with Ecology’s *Guidance for Evaluating Emerging Stormwater Treatment Technologies Technology Assessment Protocol – Ecology (TAPE) January 2011 Revision*.

### **Applicant's Performance Claims:**

- Capability to remove 80% of total suspended solids from stormwater runoff from sites with influent concentrations between 100 mg/L and 200 mg/L and provide effluent concentrations of 20 mg/L or less with influent concentrations less than 100 mg/L given a typical particle size distribution.
- Capability to remove 50% of Total Phosphorus from stormwater runoff from sites with influent concentrations between 0.1 mg/l and 0.5 mg/l.

### **Findings of Fact:**

- Based on laboratory testing at a flowrate of 12 GPM per filter, the Perk Filter™ containing ZPC media had an average total suspended solids removal efficiency of 82% using Sil-Co-Sil 106 with an average influent concentration of 102 mg/L and zero initial sediment loading.
- Based on field-testing at a flowrate of 0.57 GPM/inch of cartridge height (17.25 inch diameter cartridge) (1.5 gpm per sq ft filter surface area), the Perk Filter™ containing ZPC media had an average total suspended solids removal efficiency of 82.4% for an influent concentration between 20 mg/L and 200 mg/l. The Perk Filter™ containing ZPC media had an average removal efficiency of 85.2% for an influent concentration between 100 mg/l and 200 mg/l. Removal rates fell over time and dropped below 80% after approximately 10 months.
- Based on field testing at a flowrate of 0.57 GPM/inch of cartridge height (17.25 inch diameter cartridge) (1.5 gpm per sq ft filter surface area), the Perk Filter™ containing ZPC media had an average total Phosphorus removal efficiency of 62.4% for an influent concentration between 0.1 mg/L and 0.5 mg/l. Removal rates tended to remain relatively constant during the 10 months of monitoring.
- Field Testing indicates that sediment accumulation in the Sediment Gallery during the 10 months of sampling was within the available volume for sediment. Thus, maintenance at a 6-month frequency (vacuuming of sediment from Inlet Gallery) as suggested by the manufacturer is sufficient.
- Filter flows during bypass events utilize the full 30-inch height of the filter. Without bypass, an unknown amount of filter is used. Comparing the flow through the filter during bypass events with the design flow rate shows that the Kristar/Oldcastle system falls below the design flow rate after approximately 10 months of operation.
- Percent removal of TSS falls below 80% after approximately 10 months. There are earlier data points below 80% but these are from low influent concentration storms

**Other Perk Filter™ Related Issues to be Addressed By the Company:**

1. Kristar/Oldcastle may perform additional monitoring to better determine the maintenance frequency for the filters with respect to design flow rate and Total Suspended Solids removal. Presentation of additional data may result in a modification to the requirements in this Use Level designation document.

**Technology Description:** Download at [www.kristar.com](http://www.kristar.com)

**Contact Information:**

Applicant: Jay Holtz, P.E.  
Engineering Manager  
Kristar/Oldcastle Precast, Inc.  
360 Sutton Place  
Santa Rosa, CA, 95407  
(800) 579-8819  
[jay.holtz@oldcastle.com](mailto:jay.holtz@oldcastle.com)

Applicant website: [www.kristar.com](http://www.kristar.com)

Ecology web link: <http://www.ecy.wa.gov/programs/wq/stormwater/newtech/index.html>

Ecology: Douglas C. Howie, P.E.  
Department of Ecology  
Water Quality Program  
(360) 407-6444  
[douglas.howie@ecy.wa.gov](mailto:douglas.howie@ecy.wa.gov)

**Revision History**

<b>Date</b>	<b>Revision</b>
March 2008	Original Draft use-level-designation document
June 2010	Revise Use Level to General
January 2013	Modified Design Storm Description, added Revision Table, formatted document to match Ecology standard
May 2014	Revised Company name and contact information
June 2016	Designated device for off-line sizing

**Note:**

Some pages in this document have been purposely skipped or blank pages inserted so that this document will copy correctly when duplexed.





December 2012

**GENERAL USE LEVEL DESIGNATION FOR PRETREATMENT (TSS)  
For  
Stormceptor System®**

**Ecology's Decision:**

Based on Imbrium Systems Corporation's application submissions, Ecology hereby issues the following Use Level Designation for the Imbrium Systems Corporation Stormceptor System:

1. **General Use Level Designation (GULD) for pretreatment, as defined in Ecology's 2011 *Technical Guidance Manual for Evaluating Emerging Stormwater Treatment Technologies Technology Assessment Protocol – Ecology (TAPE)* Table 2, (a) ahead of infiltration treatment, or (b) to protect and extend the maintenance cycle of a basic or enhanced treatment device (e.g., sand or media filter). This GULD applies to Stormceptor System® units sized in accordance with Table 1 (below) at the water quality design flowrate.**

**Table 1**

<b>Unit</b>	<b>Treatment Flowrate (gpm)</b>
<b>STC 450i</b>	<b>143</b>
<b>STC 900</b>	<b>285</b>
<b>STC 1200</b>	<b>285</b>
<b>STC 1800</b>	<b>285</b>
<b>STC 2400</b>	<b>476</b>
<b>STC 3600</b>	<b>476</b>
<b>STC 4800</b>	<b>793</b>
<b>STC 6000</b>	<b>793</b>
<b>STC 7200</b>	<b>1110</b>
<b>STC 11000</b>	<b>1585</b>
<b>STC 13000</b>	<b>1585</b>
<b>STC 16000</b>	<b>2220</b>

2. **Ecology approves Stormceptor systems for treatment at the hydraulic loading rates shown in Table 1, and sized based on the water quality design flow rate. Calculate the water quality design flow rate using the following procedures:**

- **Western Washington:** For treatment installed upstream of detention or retention, the water quality design flow rate is the peak 15-minute flow rate as calculated using the latest version of the Western Washington Hydrology Model or other Ecology-approved continuous runoff model.
  - **Eastern Washington:** For treatment installed upstream of detention or retention, the water quality design flow rate is the peak 15-minute flow rate as calculated using one of the three methods described in Chapter 2.2.5 of the Stormwater Management Manual for Eastern Washington (SWMM EW) or local manual.
  - **Entire State:** For treatment installed downstream of detention, the water quality design flow rate is the full 2-year release rate of the detention facility.
3. **The GULD has no expiration date, but Ecology may amend or revoke the designation at any time.**
  4. **All designations are subject to the conditions specified below.**
  5. **Properly designed and operated Stormceptor Systems may also have applicability in other situations (example: low-head situations such as bridges or ferry docks), for TSS removal where, on a case-by-case basis, the permittee finds it infeasible or impracticable to use any other approved practice. Jurisdictions covered under the Phase I or II municipal stormwater permits should use variance/exception procedures and criteria as required by their NPDES permit.**
  6. **Ecology finds that the Stormceptor System could also provide water quality benefits in retrofit situations.**

**Ecology's Conditions of Use:**

**Stormceptor Systems shall comply with these conditions:**

1. **Design, assemble, install, operate, and maintain Stormceptor Systems in accordance with Imbrium Systems Corporation's applicable manuals and documents and the Ecology decision and conditions specified herein. Ecology recommends the inspection and maintenance schedule included as Attachment 1:**
2. **Discharges from the Stormceptor System® shall not cause or contribute to water quality standards violations in receiving waters.**

**Applicant:** Dan Nason  
Imbrium Systems Corporation

**Applicant Address:** 100 Grove Street  
Worcester, MA, 01605

**Application Documents:**

- *Submission for Verification Acceptance*, State of Washington Department of Ecology (WADOE), dated May 2005. This document contains the following elements:
  - Submission for Verification Acceptance, including an abridged version of the application and a technical manual
  - Field data, Westwood, MA, 1997
  - Field data, Seatac, WA, 1999
  - Testing summary, Como Park, MN, 1998
  - Testing summary, Edmonton, AB, 1994-6
  - Wisconsin DNR/USGS report, conference paper, and monitoring summary, 1998
  - Laboratory evaluation, done for NJDEP, 2004
  - Coventry University laboratory study, 1996
  - Stormwater hydrology report, Bryant et. al.
  - Canada Environmental Technology Verification report, 2003
  - Massachusetts Strategic Envirotechnology Partnership report, 1998
  - NJCAT certification report, 2005
  
- *A Review of Stormceptor™ - In Contrast to Other Wet Vaults that have Received Certification under the Washington State Department of Ecology's TAPE Program for Rinker Materials*, Gary Minton, July 10, 2007

With the exception of any files identified as confidential, you may obtain a CD-ROM containing these submittal documents by contacting Imbrium Systems Corporation.

**Applicant's Use Level Requests:**

- General Use Level Designation (GULD) for pretreatment.

**Applicant's Performance Claims:**

- Imbrium Systems demonstrated the ability of the Stormceptor System to meet the State of Washington's pretreatment (TSS) criteria based on analyses of data from field and laboratory studies. Laboratory studies utilized both OK-110 sand and the NJDEP particle size distribution...
- Imbrium Systems demonstrated the ability of the Stormceptor System to remove material finer than 500 microns. Imbrium did not design the Stormceptor System to remove litter and debris.

- The Stormceptor System removes large portions of sand and silt from stormwater on a long-term basis, thereby preventing material from entering a downstream treatment facility, thus extending the maintenance cycle of the downstream facility.
- Imbrium Systems demonstrated through field performance and laboratory studies the scour prevention capability of the Stormceptor System. The system's unique design prevents loss of previously captured pollutants during periods with higher flowrates.
- The Stormceptor System is an easy-to-maintain device that is much more cost-effective to maintain/clean than many alternative methods such as filtration systems and detention ponds.
- Imbrium Systems demonstrated through field and laboratory study Stormceptor's capability to function as an effective spill capture device for petroleum hydrocarbon spills, thereby preventing potentially catastrophic environmental damage from such spills.
- The Stormceptor System is an effective treatment measure for retrofit and other space-constrained or infrastructure-constrained applications that preclude the use of other approved treatment systems.

**Ecology's Recommendations:** Based on the weight of the evidence and using its best professional judgment, Ecology finds that:

- The Stormceptor System®, sized according to Table 1 (above) should provide, at a minimum, equivalent performance to a presettling basin as defined in the most recent *Stormwater Management Manual for Western Washington*, Volume V, Chapter 6.
- Ecology should provide Imbrium Systems Corporation with the opportunity to demonstrate, through additional laboratory and field testing, whether the Stormceptor System® can attain Ecology's Basic (TSS) Treatment performance goal.

**Findings of Fact:**

- Imbrium Systems Corporation submitted laboratory data for its Stormceptor System STC-900, testing silica material prepared to satisfy New Jersey Department of Environmental Protection (NJDEP) standards (mean particle size 97 microns; range 1 to 1000 microns). Weighted TSS removal rates averaged 75% across a range of operating rates (25% to 125% of the design rate), with TSS influent concentrations (97 micron mean particle size) averaging 295 mg/L. Unweighted TSS removal rates averaged 74%, and the removal rate at 285 gpm was 73%.
- Imbrium Systems ran scour tests at 125% of the design flowrate with initial sediment loading of 50% and 100% in the lower chamber of the unit. No scouring occurred at 50% loading and minimal scouring occurred at 100% loading.
- Imbrium System submitted several substantial field data sets. However, most data do not represent flow-weighted composite samples for individual storms, which Ecology protocol requires. The Madison site used flow-weighted composites, and TSS removal rates were in the 20% to 30% range. The Madison site is a maintenance yard with dirt and salt piles and Imbrium Systems believes the results do not represent typical system performance.
- Owners can readily maintain the system using a vacuum truck.

- There are approximately 15,000 Stormceptor systems in use nationwide and 510 in the Pacific Northwest.

### **Technology Description:**

You can download design manual and technical bulletins from company's web site.

### **Recommended Research and Development:**

Ecology encourages Imbrium Systems Corporation to pursue continuous improvements to the Stormceptor System®. To that end, Ecology recommends the following actions are:

- No field-testing data are currently available to reliably ascertain the Stormceptor System's ability to remove the finer particles (typically represented by Sil-Co-Sil 106 in laboratory testing) comprising TSS found on local highways, parking lots, and other high-use areas. Design of future facilities should consider:
  - a. Provide sizing for specific applications based on actual particle size distribution in the target runoff. Imbrium can use Ecology's TAPE Guidance (<https://fortress.wa.gov/ecy/publications/summarypages/1110061.html>) on the expected particle size distributions for Basic Treatment.
  - b. Performing laboratory and field testing to evaluate whether the Stormceptor System® can reliably achieve Basic Treatment criteria.

### **Contact Information:**

Applicant: Pete Van Tilburg  
Stormceptor® Engineering, Sales, & Distribution  
Pacific Stormwater Consulting  
Phone: (503) 572-9894  
[peter@pacificstormwater.com](mailto:peter@pacificstormwater.com)

Corky Lambert  
Regional Sales Manager  
Imbrium Systems  
Phone: (503) 302-1186  
[clambert@imbriumsystems.com](mailto:clambert@imbriumsystems.com)

Joel Garbon  
Regulatory & Technical Specialist  
Imbrium Systems  
Phone: (503) 706-6193  
[jgarbon@imbriumsystems.com](mailto:jgarbon@imbriumsystems.com)

Applicant website: [www.stormceptor.com](http://www.stormceptor.com)

Ecology web link: [http://www.ecy.wa.gov/programs/wq/stormwater/new\\_tech/](http://www.ecy.wa.gov/programs/wq/stormwater/new_tech/)

Ecology Contact: Douglas C. Howie, P.E.  
Department of Ecology  
Water Quality Program  
[douglas.howie@ecy.wa.gov](mailto:douglas.howie@ecy.wa.gov)  
(360) 407-6444

**Revision History**

<b>Date</b>	<b>Revision</b>
April 2006	Original Draft Pilot Use Level Designation document: for pretreatment
September 2007	Update to GULD
January 2013	Modified Design Storm Description, added Revision Table, reformatted document, revised contact information



\*Note dates when you performed maintenance and type of maintenance performed in notes section below.

(M) Monthly from November through April.

(A) Once in late summer (preferable September)

(S) After any major storm (use 1-inch in 24 hours as a guideline).

If you are unsure whether a problem exists, please contact a Professional Engineer or the manufacturer's representative.

Refer to Stormceptor Owner's Manual for maintenance details.

Notes:

<b>Sediment Depths Indicating Required Servicing</b>	
<b>Model</b>	<b>Sediment Depth</b>
STC 450i	8"
STC 900	8"
STC 1200	10"
STC 1800	15"
STC 2400	12"
STC 3600	17"
STC 4800	15"
STC 6000	18"
STC 7200	15"
STC 11000	15"
STC 13000	18"
STC 16000	15"





November 2015

**GENERAL USE LEVEL DESIGNATION FOR BASIC (TSS) AND  
PHOSPHORUS TREATMENT**

**For  
CONTECH Engineered Solutions  
Stormwater Management StormFilter®  
with PhosphoSorb® media**

**Ecology's Decision:**

**1. Based on Contech Engineered Solutions application, Ecology hereby issues the following use level designation for the Stormwater Management StormFilter® using PhosphoSorb® media cartridges:**

- **General Use Level Designation (GULD) for Basic Treatment (total suspended solids) and for Phosphorus (total phosphorus) treatment.**
  - **Sized at a hydraulic loading rate of no greater than 1.67 gallon per minute (gpm) per square foot (sq ft.) of media surface, per Table 1.**
  - **Using Contech's PhosphoSorb media. Specifications for the media shall match the specifications provided by the manufacturer and approved by Ecology.**

**Table 1. StormFilter cartridge design flow rates for 18-inch diameter cartridges with PhosphoSorb media operating at 1.67 gpm/sq ft.**

<b>Effective cartridge height (in)</b>	<b>Cartridge flow rate (gpm/cartridge)</b>
<b>12</b>	<b>8.35</b>
<b>18</b>	<b>12.53</b>
<b>27</b>	<b>18.79</b>

2. Ecology approves StormFilter systems containing PhosphoSorb media for treatment at the cartridge flow rate shown in Table 1, to achieve the maximum water quality design flow rate. Calculate the water quality design flow rates using the following procedures:
  - Western Washington: For treatment installed upstream of detention or retention, the water quality design flow rate is the peak 15-minute flow rate as calculated using the latest version of the Western Washington Hydrology Model or other Ecology-approved continuous runoff model.
  - Eastern Washington: For treatment installed upstream of detention or retention, the water quality design flow rate is the peak 15-minute flow rate as calculated using one of the three methods described in Chapter 2.2.5 of the Stormwater Management Manual for Eastern Washington (SWMMEW) or local manual.
  - Entire State: For treatment installed downstream of detention, the water quality design flow rate is the full 2-year release rate of the detention facility.
3. The GULD designation has no expiration date but it may be amended or revoked by Ecology and is subject to the conditions specified below.

**Ecology's Conditions of Use:**

StormFilter systems containing PhosphoSorb media shall comply with these conditions:

1. Design, assemble, install, operate, and maintain StormFilter systems containing PhosphoSorb media in accordance with applicable Contech Engineered Solutions manuals, documents, and the Ecology Decision.
2. Use sediment loading capacity, in conjunction with the water quality design flow rate, to determine the target maintenance interval.
3. Owners shall install StormFilter systems in such a manner that bypass flows exceeding the water quality treatment rate or flows through the system will not re-suspend captured sediments.
4. Pretreatment of TSS and oil and grease may be necessary, and designers shall provide pre-treatment in accordance with the most current versions of the CONTECH *Product Design Manual* or the applicable Ecology Stormwater Manual. Design pre-treatment using the performance criteria and pretreatment practices provided in the Stormwater Management Manual for Western Washington (SWMW), the Stormwater Management Manual for Eastern Washington (SWMMEW), or on Ecology's "Evaluation of Emerging Stormwater Treatment Technologies" website.
5. Maintenance: The required maintenance interval for stormwater treatment devices is often dependent upon the degree of pollutant loading from a particular drainage basin. Therefore, Ecology does not endorse or recommend a "one size fits all" maintenance cycle for a particular model/size of manufactured filter treatment device.
  - Typically, CONTECH designs StormFilter systems for a target filter media replacement interval of 12 months. Maintenance includes removing accumulated sediment from the vault, and replacing spent cartridges with recharged cartridges.

- **Indications of the need for maintenance include the effluent flow decreasing to below the design flow rate, as indicated by the scumline above the shoulder of the cartridge.**
- **Owners/operators must inspect StormFilter with PhosphoSorb media for a minimum of twelve months from the start of post-construction operation to determine site-specific maintenance schedules and requirements. You must conduct inspections monthly during the wet season, and every other month during the dry season. (According to the *SWMMWW*, the wet season in western Washington is October 1 to April 30. According to *SWMMEW*, the wet season in eastern Washington is October 1 to June 30). After the first year of operation, owners/operators must conduct inspections based on the findings during the first year of inspections.**
- **Conduct inspections by qualified personnel, follow manufacturer’s guidelines, and use methods capable of determining either a decrease in treated effluent flowrate and/or a decrease in pollutant removal ability.**
- **When inspections are performed, the following findings typically serve as maintenance triggers:**
  - **Accumulated vault sediment depths exceed an average of 2 inches, or**
  - **Accumulated sediment depths on the tops of the cartridges exceed an average of 0.5 inches, or**
  - **Standing water remains in the vault between rain events, or**
  - **Bypass during storms smaller than the design storm.**
- **Note: If excessive floatables (trash and debris) are present, perform a minor maintenance consisting of gross solids removal, not cartridge replacement.**

**6. Discharges from the StormFilter systems containing PhosphoSorb media shall not cause or contribute to water quality standards violations in receiving waters.**

**Applicant:**

CONTECH Engineered Solutions

**Applicant’s Address:**

11835 NE Glenn Widing Dr.

Portland, OR 97220

### **Application Documents:**

- The Stormwater Management StormFilter, PhosphoSorb at a Specific Flow Rate of 1.67 gpm/ft<sup>2</sup>, Conditional Use Level Designation Application. August 2012.
- Quality Assurance Project Plan The Stormwater Management StormFilter® PhosphoSorb® at a Specific Flow Rate of 1.67 gpm/ft<sup>2</sup> Performance Evaluation. August 2012.
- The Stormwater Management StormFilter® PhosphoSorb® at a Specific Flow Rate of 1.67 gpm/ft<sup>2</sup>, General Use Level Designation, Technical Evaluation Report. October 2015.

### **Applicant's Use Level Request:**

- General use level designation as a basic (TSS) and phosphorus (total phosphorus) treatment device in accordance with Table 2 of Ecology's 2011 *Technical Guidance Manual for Evaluating Emerging Stormwater Treatment Technologies Technology Assessment Protocol – Ecology (TAPE)*.

### **Applicant's Performance Claims:**

Based on results from laboratory and field-testing, the applicant claims:

- The Stormwater Management StormFilter® with PhosphoSorb® media operating at 1.67 gpm/ft<sup>2</sup> is able to remove 80% of Total Suspended Solids (TSS) for influent concentrations greater than 100 mg/L, is able to remove greater than 80% TSS for influent concentrations greater than 200 mg/L, and achieve a 20 mg/L effluent for influent concentrations less than 100 mg/L.
- The StormFilter with PhosphoSorb media is able to remove 50% or greater total phosphorus for influent concentrations between 0.1 to 0.5 mg/L.

### **Recommendations:**

Ecology finds that:

- CONTECH Engineered Solutions has shown Ecology, through laboratory and field testing, that the Stormwater Management StormFilter® with PhosphoSorb® media is capable of attaining Ecology's Basic and Total Phosphorus treatment goals.

### **Findings of Fact:**

#### Laboratory testing

- A Phosphosorb StormFilter cartridge test unit, operating at 28 L/min (equivalent to 1.0 gpm/ sq. ft.), and subject to SSC with a silt loam texture (25% sand, 65% silt, and 10% clay by mass) originating from SCS 106 provides a mean SSC removal efficiency of 88%;
- A Phosphosorb StormFilter cartridge test unit, operating at 56 L/min (equivalent to 2.0 gpm/sq. ft.), and subject to SSC with a silt loam texture (25% sand, 65% silt, and 10% clay by mass) originating from SCS 106 provides a mean turbidity reduction of 82%;

- Laboratory testing of PhosphoSorb media in a Horizontal Flow Column (HFC; a 1/24<sup>th</sup> scale of a full cartridge) resulted in 50 percent dissolved phosphorus removal for the first 1,000 bed volumes. Granular activated carbon (GAC) tested under the same conditions resulted in 30 percent removal of dissolved phosphorus.

*Field testing*

- Contech conducted monitoring of a StormFilter® with PhosphoSorb® media at a site along Lolo Pass Road in Zigzag, Oregon between February 2012 and February 2015. The manufacturer collected flow-weighted influent and effluent composite samples during 17 separate storm events. The system treated approximately 96 percent of the flows recorded during the monitoring period. The applicant sized the system at 1.67 gpm/sq. ft.
  - Influent TSS concentrations for qualifying sampled storm events ranged from 40 to 780 mg/L. For influent concentrations less than 100 mg/L (n=2) the effluent concentration was less than 10 mg/L. For influent concentrations greater than 100 mg/L the bootstrap estimate of the lower 95 percent confidence limit (LCL95) of the mean TSS reduction was 85%.

Total phosphorus removal for 16 events with influent TP concentrations in the range of 0.1 to 0.5 mg/L averaged 75 percent. A bootstrap estimate of the lower 95 percent confidence limit (LCL95) of the mean total phosphorus reduction was 67 percent.

**Other StormFilter system with PhosphoSorb media items the Company should address:**

1. Conduct testing to obtain information about maintenance requirements in order to come up with a maintenance cycle.
2. Conduct loading tests on the filter to determine maximum treatment life of the system.

**Technology Description:** Download at: <http://www.conteches.com/Products/Stormwater-Management/Treatment/Stormwater-Management-StormFilter@.aspx>

**Contact Information:**

Applicant: Sean Darcy  
Contech Engineered Solutions  
11815 NE Glenn Widing Drive  
Portland, OR, 97220  
503-258-3105  
sdarcy@conteches.com

Applicant website: [www.conteches.com](http://www.conteches.com)

Ecology web link: <http://www.ecy.wa.gov/programs/wq/stormwater/newtech/index.html>

Ecology: Douglas C. Howie, P.E.  
Department of Ecology  
Water Quality Program  
(360) 407-6444  
[douglas.howie@ecy.wa.gov](mailto:douglas.howie@ecy.wa.gov)

### Revision History

Date	Revision
December 2012	Original use-level-designation document: CULD for basic and phosphorus treatment.
January 2013	Revised document to match standard formatting
August 2014	Revised TER and expiration dates
November 2015	Approved GULD designation for Basic and Phosphorus treatment



September 2014

## GENERAL USE LEVEL DESIGNATION FOR BASIC (TSS) TREATMENT

For

### CONTECH Engineered Solutions Stormwater Management StormFilter<sup>®</sup> With ZPG Media at 1 gpm/sq ft media surface area

#### Ecology's Decision:

Based on the CONTECH Engineered Solutions' (CONTECH) application submissions, Ecology hereby issues a General Use Level Designation (GULD) for the Stormwater Management StormFilter<sup>®</sup> (StormFilter):

1. As a basic stormwater treatment practice for total suspended solids (TSS) removal,
  - Using ZPG<sup>™</sup> media (zeolite/perlite/granular activated carbon), with the size distribution described below,
  - Sized at a hydraulic loading rate of 1 gpm/ft<sup>2</sup> of media surface area, per Table 1, and
  - Internal bypassing needs to be consistent with the design guidelines in CONTECH's current product design manual.

Table 1. StormFilter Design Flow Rates per Cartridge

Effective Cartridge Height (inches)	12	18	27
Cartridge Flow Rate (gpm/cartridge)	5	7.5	11.3

2. Ecology approves StormFilter systems containing ZPG<sup>™</sup> media for treatment at the hydraulic loading rates shown in Table 1, to achieve the maximum water quality design flow rate. The water quality design flow rates are calculated using the following procedures:

- **Western Washington:** For treatment installed upstream of detention or retention, the water quality design flow rate is the peak 15-minute flow rate as calculated using the latest version of the Western Washington Hydrology Model or other Ecology-approved continuous runoff model.

- **Eastern Washington:** For treatment installed upstream of detention or retention, the water quality design flow rate is the peak 15-minute flow rate as calculated using one of the three methods described in Chapter 2.2.5 of the Stormwater Management Manual for Eastern Washington (SWMMEW) or local manual.
- **Entire State:** For treatment installed downstream of detention, the water quality design flow rate is the full 2-year release rate of the detention facility.

3. This designation has no expiration date, but Ecology may amend or revoke it.

### **Ecology's Conditions of Use:**

The StormFilter with ZPG media shall comply with the following conditions:

1. Design, install, operate, and maintain the StormFilter with ZPG media in accordance with applicable Contech Engineered Solutions manuals, documents, and the Ecology Decision.
2. Install StormFilter systems to bypass flows exceeding the water quality treatment rate. Additionally, high flows will not re-suspend captured sediments. Design StormFilter systems in accordance with the performance goals in Ecology's most recent Stormwater Manual and CONTECH's *Product Design Manual Version 4.1 (April 2006)*, or most current version, unless otherwise specified.
3. Owners must follow the design, pretreatment, land use application, and maintenance criteria in CONTECH's Design Manual.
4. Pretreatment of TSS and oil and grease may be necessary, and designers shall provide pre-treatment in accordance with the most current versions of the CONTECH's *Product Design Manual (April 2006)* or the applicable Ecology Stormwater Manual. Design pre-treatment using the performance criteria and pretreatment practices provided on Ecology's "Evaluation of Emerging Stormwater Treatment Technologies" website.
5. Maintenance: The required maintenance interval for stormwater treatment devices is often dependent upon the degree of pollutant loading from a particular drainage basin. Therefore, Ecology does not endorse or recommend a "one size fits all" maintenance cycle for a particular model/size of manufactured filter treatment device.
  - Typically, CONTECH designs StormFilter systems for a target filter media replacement interval of 12 months. Maintenance includes removing accumulated sediment from the vault, and replacing spent cartridges with recharged cartridges.



- Indications of the need for maintenance include effluent flow decreasing to below the design flow rate, as indicated by the scumline above the shoulder of the cartridge.
- Owners/operators must inspect StormFilter with ZPG media for a minimum of twelve months from the start of post-construction operation to determine site-specific maintenance schedules and requirements. You must conduct inspections monthly during the wet season, and every other month during the dry season. (According to the SWMMWW, the wet season in western Washington is October 1 to April 30. According to SWMMEW, the wet season in eastern Washington is October 1 to June 30). After the first year of operation, owners/operators must conduct inspections based on the findings during the first year of inspections.
- Conduct inspections by qualified personnel, follow manufacturer’s guidelines, and use methods capable of determining either a decrease in treated effluent flowrate and/or a decrease in pollutant removal ability.
- When inspections are performed, the following findings typically serve as maintenance triggers:

- Accumulated vault sediment depths exceed an average of 2 inches, or
- Accumulated sediment depths on the tops of the cartridges exceed an average of 0.5 inches, or
- Standing water remains in the vault between rain events, or
- Bypass occurs during storms smaller than the design storm.

- Note: If excessive floatables (trash and debris) are present, perform a minor maintenance consisting of gross solids removal, not cartridge replacement.

6. CONTECH shall maintain readily available reports listed under “Application Documents” (above) as public, as well as the documentation submitted with its previous conditional use designation application. CONTECH shall provide links to this information from its corporate website, and make this information available upon request, at no cost and in a timely manner.

7. ZPG™ media used shall conform with the following specifications:

- Each cartridge contains a total of approximately 2.6 cubic feet of media. The ZPG™ cartridge consists of an outer layer of perlite that is approximately 1.3 cubic feet in volume and an inner layer, consisting of a mixture of 90% zeolite and 10% granular activated carbon, which is approximately 1.3 cubic feet in volume.
- Perlite Media: Perlite media shall be made of natural siliceous volcanic rock free of any debris or foreign matter. The expanded perlite shall

have a bulk density ranging from 6.5 to 8.5 lbs per cubic foot and particle sizes ranging from 0.09” (#8 mesh) to 0.38” (3/8” mesh).

- **Zeolite Media:** Zeolite media shall be made of naturally occurring clinoptilolite. The zeolite media shall have a bulk density ranging from 44 to 50 lbs per cubic foot and particle sizes ranging from 0.13” (#6 mesh) to 0.19” (#4 mesh). Additionally, the cation exchange capacity (CEC) of zeolite shall range from approximately 1.0 to 2.2 meq/g.
- **Granular Activated Carbon:** Granular activated carbon (GAC) shall be made of lignite coal that has been steam-activated. The GAC media shall have a bulk density ranging from 28 to 31 lbs per cubic foot and particle sizes ranging from a 0.09” (#8 mesh) to 0.19” (#4 mesh).

### Approved Alternate Configurations

#### **Peak Diversion StormFilter**

1. The Peak Diversion StormFilter allows for off-line bypass within the StormFilter structure. Design capture flows and peak flows enter the inlet bay which contains an internal weir. The internal weir allows design flows to enter the cartridge bay through a transfer hole located at the bottom of the inlet bay while the unit routs higher flows around the cartridge bay.
2. To select the size of the Peak Diversion StormFilter unit, the designer must determine the number of cartridges required and size of the standard StormFilter using the site-specific water quality design flow and the **StormFilter Design Flow Rates per Cartridge** as described above.
3. New owners may not install the Peak Diversion StormFilter at an elevation or in a location where backwatering may occur.

**Applicant:** Contech Engineered Solutions

**Applicant’s Address:** 11835 NE Glenn Widing Dr.  
Portland, OR 97220

#### **Application Documents:**

The applicant’s master report, titled, “The Stormwater Management StormFilter Basic Treatment Application for General Use Level Designation in Washington”, Stormwater Management, Inc., November 1, 2004, includes the following reports:

- (Public) *Evaluation of the Stormwater Management StormFilter Treatment System: Data Validation Report and Summary of the Technical Evaluation Engineering Report (TEER)* by Stormwater Management Inc., October 29, 2004  
Ecology’s technology assessment protocol requires the applicant to hire an independent consultant to complete the following work:

1. Complete the data validation report.
  2. Prepare a TEER summary, including a testing summary and conclusions compared with the supplier's performance claims.
  3. Provide a recommendation of the appropriate technology use level.
  4. Work with Ecology to post recommend relevant information on Ecology's website.
  5. Provide additional testing recommendations, if needed."
  6. This report, authored by Dr. Gary Minton, Ph. D., P.E., Resource Planning Associates, satisfies the Ecology requirement.
- (Public) "Performance of the Stormwater Management StormFilter Relative to the Washington State Department of Ecology Performance Goals for Basic Treatment," is a summary of StormFilter performance that strictly adheres to the criteria listed in the Guidance for Evaluating Emerging Stormwater Treatment Technologies, Technology Assessment Protocol – Ecology (TAPE).
  - "Heritage Marketplace Field Evaluation: Stormwater Management StormFilter with ZPG™ Media," is a report showing all of the information collected at Site A as stated in the SMI Quality Assurance Project Plan (QAPP). This document contains detailed information regarding each storm event collected at this site, and it provided a detailed overview of the data and project.
  - "Lake Stevens Field Evaluation: Stormwater Management StormFilter with ZPG™ Media," is a report that corresponds to Site E as stated in the SMI QAPP. This document contains detailed information regarding each storm collected at this site, and includes a detailed overview of the data and project.
  - (Public) "Evaluation of the Stormwater Management StormFilter for the removal of SIL-CO-SIL 106, a standardized silica product: ZPG™ at 7.5 GPM" is a report that describes laboratory testing at full design flow.
  - "Factors Other Than Treatment Performance."
  - "State of Washington Installations."
  - "Peak Diversion StormFilter" is a technical document demonstrating the Peak Diversion StormFilter system complies with the Stormwater Management Manual for Western Washington Volume V Section 4.5.1.

Above-listed documents noted as "public" are available by contacting CONTECH.

### **Applicant's Use Level Request:**

That Ecology grant a General Use Level Designation for Basic Treatment for the StormFilter using ZPG™ media (zeolite/perlite/granular activated carbon) at a hydraulic loading rate of 1 gpm/ft<sup>2</sup> of media surface area in accordance with Ecology's 2011 *Technical Guidance Manual for Evaluating Emerging Stormwater Treatment Technologies Technology Assessment Protocol – Ecology (TAPE)*.

### **Applicant's Performance Claim:**

The combined data from the two field sites reported in the TER (Heritage Marketplace and Lake Stevens) indicate that the performance of a StormFilter system configured for inline bypass with ZPG™ media and a hydraulic loading rate of 1 gpm/ft<sup>2</sup> of media surface area meets Ecology performance goals for Basic Treatment.

### **Ecology's Recommendations:**

Based on the weight of the evidence and using its best professional judgment, Ecology finds that:

- StormFilter, using ZPG™ media and operating at a hydraulic loading rate of no more than 1 gpm/ft<sup>2</sup> of media surface area, is expected to provide effective stormwater treatment achieving Ecology's Basic Treatment (TSS removal) performance goals. Contech demonstrated this is through field and laboratory testing performed in accordance with the approved protocol. StormFilter is deemed satisfactory with respect to factors other than treatment performance (e.g., maintenance; see the protocol's Appendix B for complete list).

### **Findings of Fact:**

- Influent TSS concentrations and particle size distributions were generally within the range of what Ecology considers "typical" for western Washington (silt-to-silt loam).
- Contech sampled thirty-two (32) storm events at two sites for storms from April 2003 to March 2004, of which Contech deemed twenty-two (22) as "qualified" and were therefore included in the data analysis set.
- Statistical analysis of these 22 storm events verifies the data set's adequacy.
- Analyzing all 22 qualifying events, the average influent and effluent concentrations and aggregate pollutant load reduction are 114 mg/L, 25 mg/L, and 82%, respectively.
- Analyzing all 22 qualifying events based on the *estimated average* flow rate during the event (versus the *measured peak* flow rate), and more heavily weighting those events near the design rate (versus events either far above or well below the design rate) does not significantly affect the reported results.
- For the 7 qualifying events with influent TSS concentrations greater than 100 mg/L, the average influent and effluent concentrations and aggregate pollutant load reduction are 241 mg/L, 34 mg/L, and 89%, respectively. If we exclude the 2 of 7 events that exceed the maximum 300 mg/L specified in Ecology's guidelines, the average influent and effluent concentrations and aggregate pollutant load reduction are 158 mg/L, 35 mg/L, and 78%, respectively.
- For the 15 qualifying events with influent TSS concentrations less than 100 mg/L, the average influent and effluent concentrations and aggregate pollutant load reduction are 55 mg/L, 20 mg/L, and 61%, respectively. If the 6 of 15 events that fall below the minimum 33 mg/L TSS specified in Ecology's guidelines are excluded, the average

influent and effluent concentrations and aggregate pollutant load reduction are 78 mg/L, 26 mg/L, and 67%, respectively.

- For the 8 qualifying events with peak discharge exceeding design flow (ranging from 120 to 257% of the design rate), results ranged from 52% to 96% TSS removal, with an average of 72%.
- Due to the characteristics of the hydrographs, the field results generally reflect flows below (ranging between 20 and 60 percent of) the tested facilities' design rate. During these sub-design flow rate periods, some of the cartridges operate at or near their *individual* full design flow rate (generally between 4 and 7.5 GPM for an 18" cartridge effective height) because their float valves have opened. Float valves remain closed on the remaining cartridges, which operate at their base "trickle" rate of 1 to 1.5 GPM.
- Laboratory testing using U.S. Silica's Sil-Co-Sil 106 fine silica product showed an average 87% TSS removal for testing at 7.5 GPM per cartridge (100% design flow rate).
- Other relevant testing at I-5 Lake Union, Greenville Yards (New Jersey), and Ski Run Marina (Lake Tahoe) facilities shows consistent TSS removals in the 75 to 85% range. *Note that the evaluators operated the I-5 Lake Union at 50%, 100%, and 125% of design flow.*
- SMI's application included a satisfactory "Factors other than treatment performance" discussion.

*Note: Ecology's 80% TSS removal goal applies to 100 mg/l and greater influent TSS. Below 100 mg/L influent TSS, the goal is 20 mg/L effluent TSS.*

### **Technology Description:**

The Stormwater Management StormFilter<sup>®</sup> (StormFilter), a flow-through stormwater filtration system, improves the quality of stormwater runoff from the urban environment by removing pollutants. The StormFilter can treat runoff from a wide variety of sites including, but not limited to: retail and commercial development, residential streets, urban roadways, freeways, and industrial sites such as shipyards, foundries, etc.

### **Operation:**

The StormFilter is typically comprised of a vault that houses rechargeable, media-filled, filter cartridges. Various media may be used, but this designation covers only the zeolite-perlite-granulated activated carbon (ZPG<sup>™</sup>) medium. Stormwater from storm drains percolates through these media-filled cartridges, which trap particulates and may remove pollutants such as dissolved metals, nutrients, and hydrocarbons. During the filtering process, the StormFilter system also removes surface scum and floating oil and grease. Once filtered through the media, the treated stormwater is directed to a collection pipe or discharged to an open channel drainage way.

This document includes a bypass schematic for flow rates exceeding the water quality design flow rate on page 8.

### **StormFilter Configurations:**

Contech offers the StormFilter in multiple configurations: precast, high flow, catch basin, curb inlet, linear, volume, corrugated metal pipe, drywell, and CON/Span form. Most configurations use pre-manufactured units to ease the design and installation process. Systems may be either uncovered or covered underground units.

The typical precast StormFilter unit is composed of three sections: the energy dissipater, the filtration bay, and the outlet sump. As Stormwater enters the inlet of the StormFilter vault through the inlet pipe, piping directs stormwater through the energy dissipater into the filtration bay where treatment will take place. Once in the filtration bay, the stormwater ponds and percolates horizontally through the media contained in the StormFilter cartridges. After passing through the media, the treated water in each cartridge collects in the cartridge's center tube from where piping directs it into the outlet sump by a High Flow Conduit under-drain manifold. The treated water in the outlet sump discharges through the single outlet pipe to a collection pipe or to an open channel drainage way. In some applications where you anticipate heavy grit loads, pretreatment by settling may be necessary.

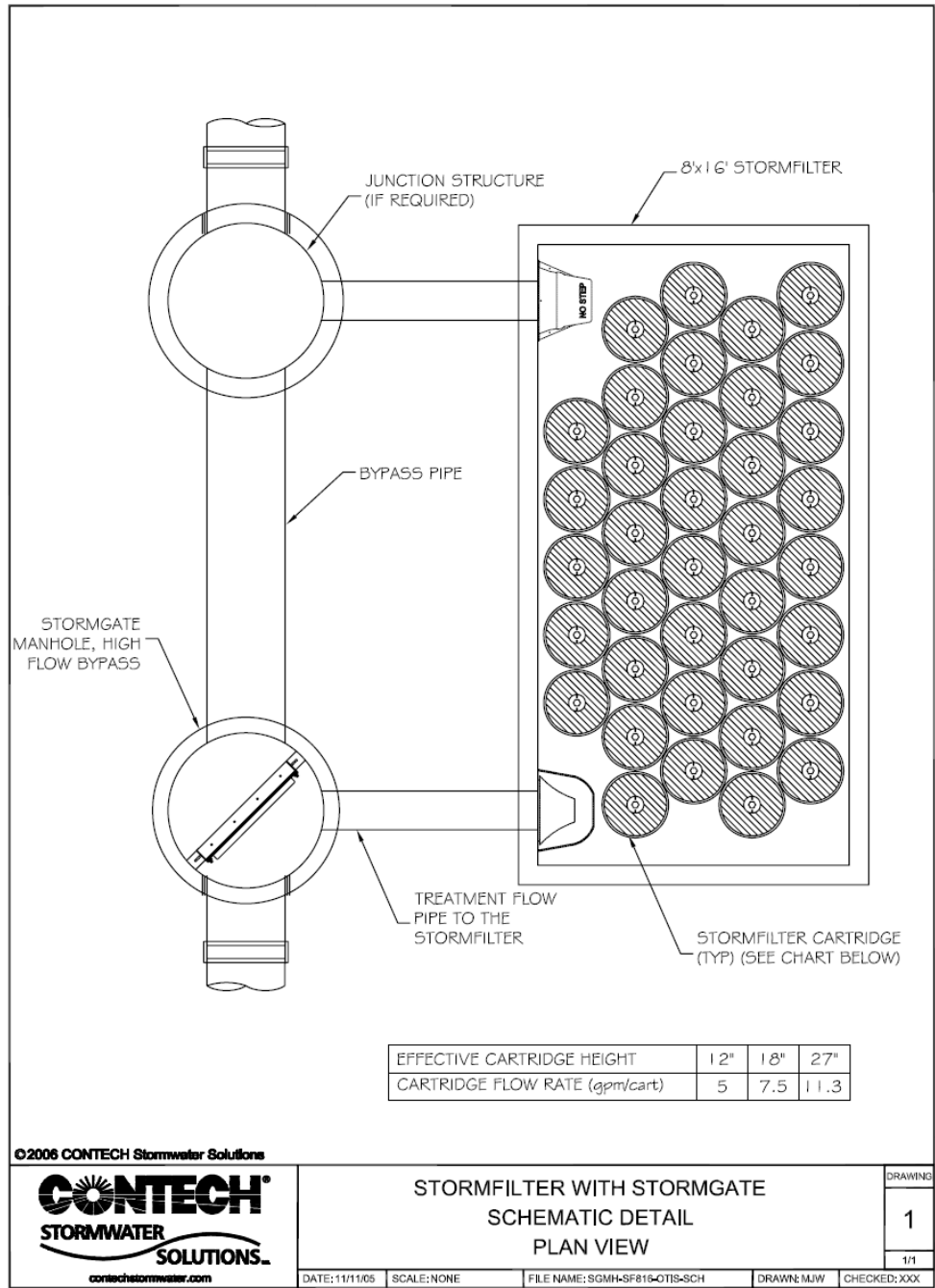
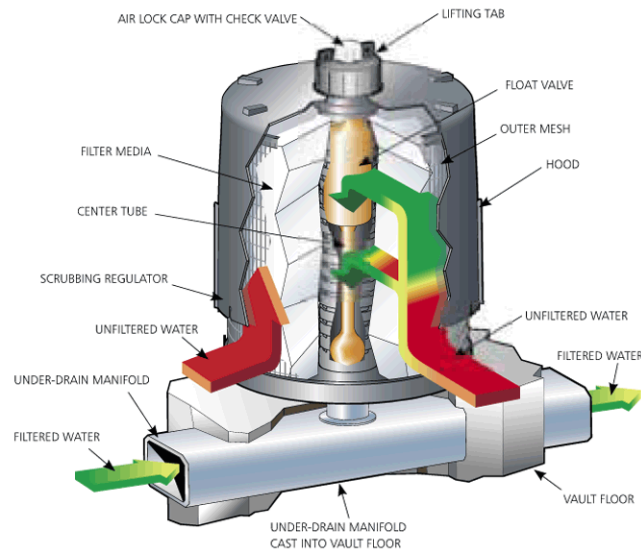


Figure 1. Stormwater Management StormFilter Configuration with Bypass



**Figure 2. The StormFilter Cartridge**

### **Cartridge Operation:**

As the water level in the filtration bay begins to rise, stormwater enters the StormFilter cartridge. Stormwater in the cartridge percolates horizontally through the filter media and passes into the cartridge's center tube, where the float in the cartridge is in a closed (downward) position. As the water level in the filtration bay continues to rise, more water passes through the filter media and into the cartridge's center tube. Water displaces the air in the cartridge and it purges from beneath the filter hood through the one-way check valve located in the cap. Once water fills the center tube there is enough buoyant force on the float to open the float valve and allow the treated water to flow into the under-drain manifold. As the treated water drains, it tries to pull in air behind it. This causes the check valve to close, initiating a siphon that draws polluted water throughout the full surface area and volume of the filter. Thus, water filters through the entire filter cartridge throughout the duration of the storm, regardless of the water surface elevation in the filtration bay. This continues until the water surface elevation drops to the elevation of the scrubbing regulators. At this point, the siphon begins to break and air quickly flows beneath the hood through the scrubbing regulators, causing energetic bubbling between the inner surface of the hood and the outer surface of the filter. This bubbling agitates and cleans the surface of the filter, releasing accumulated sediments on the surface, flushing them from beneath the hood, and allowing them to settle to the vault floor.

### **Adjustable cartridge flow rate:**

Inherent to the design of the StormFilter is the ability to control the individual cartridge flow rate with an orifice-control disc placed at the base of the cartridge. Depending on the treatment requirements and on the pollutant characteristics of the influent stream as



specified in the CONTECH *Product Design Manual*, operators may adjust the flow rate through the filter cartridges. By decreasing the flow rate through the filter cartridges, the influent contact time with the media is increased and the water velocity through the system is decreased, thus increasing both the level of treatment and the solids removal efficiencies of the filters, respectively (de Ridder, 2002).

**Recommended research and development:**

Ecology encourages CONTECH to pursue continuous improvements to the StormFilter. To that end, CONTECH recommends the following actions:

- Determine, through laboratory testing, the relationship between accumulated solids and flow rate through the cartridge containing the ZPG™ media. **Completed 11/05.**
- Determine the system’s capabilities to meet Ecology’s enhanced, phosphorus, and oil treatment goals.
- Develop easy-to-implement methods of determining that a StormFilter facility requires maintenance (cleaning and filter replacement).

**Contact Information:**

Applicant Contact: Sean Darcy  
 Contech Engineered Solutions  
 11835 NE Glenn Widing Drive  
 Portland, OR, 97220  
 503-258-3105  
[sdarcy@conteches.com](mailto:sdarcy@conteches.com)

Applicant Web link <http://www.conteches.com/>

Ecology web link: <http://www.ecy.wa.gov/programs/wq/stormwater/newtech/index.html>

Ecology Contact: Douglas C. Howie, P.E.  
 Department of Ecology  
 Water Quality Program  
 (360) 407-6444  
[douglas.howie@ecy.wa.gov](mailto:douglas.howie@ecy.wa.gov)

**Revision History**

Date	Revision
Jan 2005	Original Use Level Designation
Dec 2007	Revision
May 2012	Maintenance requirements updated
November 2012	Design Storm and Maintenance requirements updated
January 2013	Updated format to match Ecology standard format
September 2014	Added Peak Diversion StormFilter Alternate Configuration

**Note:**

Some pages in this document have been purposely skipped or blank pages inserted so that this document will copy correctly when duplexed.



January 2013

**GENERAL USE LEVEL DESIGNATION FOR PRETREATMENT (TSS)**

For

**Contech Engineered Solutions Inc. Vortechs® System**

**Ecology's Decision:**

Based on the CONTECH Engineered Solutions Inc. (CONTECH) application submissions for the Vortechs® System, Ecology hereby issues the following use designations for the Vortechs technology:

1. **General Use Level Designation (GULD) for pretreatment use, as defined in the Ecology's 2011 *Technical Guidance Manual for Evaluating Emerging Stormwater Treatment Technologies Technology Assessment Protocol – Ecology (TAPE)* Table 2, (a) ahead of infiltration treatment, or (b) to protect and extend the maintenance cycle of a Basic, Enhanced, or Phosphorus Treatment device.**
2. **This GULD applies to Vortechs units sized at an operating rate of no more than 35 gpm/sf of grit chamber area at the Water Quality design flow rate. The following table shows flow rates associated with various grit chamber sizes:**

<b>Washington State Vortechs System Sizing</b>		
<b>Vortechs System</b>	<b>Grit Chamber Diameter</b>	<b>35 gpm/ft<sup>2</sup> Flow Rate</b>
<b>Model ID</b>	<b>ft</b>	<b>cfs</b>
<b>1000</b>	<b>3</b>	<b>0.55</b>
<b>2000</b>	<b>4</b>	<b>1.0</b>
<b>3000</b>	<b>5</b>	<b>1.5</b>
<b>4000</b>	<b>6</b>	<b>2.2</b>
<b>5000</b>	<b>7</b>	<b>3.0</b>
<b>7000</b>	<b>8</b>	<b>3.9</b>
<b>9000</b>	<b>9</b>	<b>5.0</b>
<b>11000</b>	<b>10</b>	<b>6.1</b>
<b>16000</b>	<b>12</b>	<b>8.8</b>

**3. Ecology approves Vortechs units for treatment at the hydraulic loading rates shown in the above Table, and sized based on the water quality design flow rate. Calculate the water quality design flow rate using the following procedures:**

- **Western Washington:** For treatment installed upstream of detention or retention, the water quality design flow rate is the peak 15-minute flow rate as calculated using the latest version of the Western Washington Hydrology Model or other Ecology-approved continuous runoff model.
- **Eastern Washington:** For treatment installed upstream of detention or retention, the water quality design flow rate is the peak 15-minute flow rate as calculated using one of the three methods described in Chapter 2.2.5 of the Stormwater Management Manual for Eastern Washington (SWMMEW) or local manual.
- **Entire State:** For treatment installed downstream of detention, the water quality design flow rate is the full 2-year release rate of the detention facility.

**4. Properly designed and operated Vortechs systems may also have applicability in other situations (example: low-head situations such as bridges or ferry docks), for TSS and oil/grease removal where, on a case-by-case basis, it is found to be infeasible or impracticable to use any other approved practice. Local jurisdictions should follow established variance or exception procedures in approving such applications.**

**5. Ecology finds that the Vortechs, sized at an operating rate of 35 GPM/sf, could also provide:**

- **Water quality benefits in retrofit situations.**
- **Provide the first component in a treatment train.**
- **Provide effective removal of deicing grit/sand.**
- **Vortechs units are applicable for low head situations and/or utility conflicts where the designer finds other approved practices to be infeasible or impractical to use.**

**Ecology's Conditions of Use:**

**Vortechs systems shall comply with these conditions:**

- 1. Design, assemble, install, operate, and maintain Vortechs Systems in accordance with applicable CONTECH *Product Design Manual Version 4.1 (April 2006)* or most current versions, and the Ecology Decision.**
- 2. Discharges from the Vortechs System shall not cause or contribute to water quality standards violations in receiving waters.**

**Applicant:** CONTECH Engineered Solutions LLC,

**Applicant's Address:** 11835 NE Glen Widing Drive  
Portland, OR 97220

**Application Documents:**

- Vortechs System Conditional Use Approval Application Letter to the Washington State Department of Ecology (June 25, 2003)
- *Vortechs Stormwater Treatment System Technology Report*, June 2003 Technical Appendices 1 through 16

**Applicant's Use Level Request:**

- Conditional Use Designation as a Basic Treatment device in accordance with Ecology's 2001 stormwater manual.

**Applicant's Performance Claims:**

- Based on laboratory trials, the Vortechs System will achieve an 80% TSS removal efficiency for sediment particles ranging from 38 to 75 microns at an operating rate of 13 gallons per minute per square foot (GPM/sf) at the peak flow for the Ecology water quality design storm.
- The system is recommended only for sites likely to produce relatively high TSS concentrations (above 100 mg/L), where TSS is primarily composed of 50 microns and larger particles. Potentially appropriate sites include parking lots, highways and urban streets, material transfer sites, hydrocarbon transfer sites, retrofits, steep/erosive sites, and space-limited sites.

**Ecology's Recommendation:**

Ecology finds that:

- The Vortechs system, sized at 35 GPM/sf, should provide, at a minimum, equivalent performance to a presettling basin as defined in the most recent *Stormwater Management Manual for Western Washington*, Volume V, Chapter 6.

**Findings of Fact:**

1. Contech completed laboratory testing for sieved sand using a Vortechs Model 2000. Laboratory results for the "50 micron" particle range (included particles ranging from 38 to 75 microns) showed 80% removal at 13 GPM/sf operating rate.

2. Contech completed abbreviated laboratory testing for Sil-Co-Sil 106, a ground silica product with a mean particle size of about 20 microns. Removal rates at 5 to 10 GPM/sf were around 40%.
3. Various independent parties in the eastern and northeastern United States (Lake George, NY; South Windsor, CT; Yarmouth, ME; Harding Township, NJ; Lexington, MA; Burlington, VT; and Charlottesville, VA) completed field studies. Contech provides study details in the technical appendices. These studies generally show above 80% TSS removal rates. However, the results from a particle size distribution analysis on sediment captured in the Lake George Vortechs System indicate that mainly coarse particles were present. Because the influent particle size distribution was not measured removal efficiency of specific particle sizes could not be determined.
4. Independent parties in the Pacific Northwest (WSDOT SR-405; Buffalo Slough/City of Portland; Unified Sewerage Agency, Oregon) completed three field studies. Study details were not included in CONTECH submissions. These studies generally show TSS removal rates to support a 40% pretreatment rating by Ecology for systems in the PNW, where soils range from silt to silt-loam.
5. Use of a vacuum truck can easily maintain this system.
6. There are over 4,400 and 100 Vortechs systems installed nationwide and in the Pacific Northwest, respectively.

**Technology Description:**

Download at:

<http://www.conteches.com/Products/Stormwater-management/Treatment/Vortechs.aspx>

**Contact Information:**

Applicant Contact: Sean Darcy

Applicant website: [www.conteches.com](http://www.conteches.com)

Ecology web link: <http://www.ecy.wa.gov/programs/wq/stormwater/newtech/index.html>

Ecology: Douglas C. Howie, P.E.  
 Department of Ecology  
 Water Quality Program  
 (360) 407-6444  
 douglas.howie@ecy.wa.gov

**Revision History**

<b>Date</b>	<b>Revision</b>
November 2003	Original Draft use-level-designation document: GULD for pretreatment.
August 2007	Revised contact information
January 2013	Modified Design Storm Description, added Revision Table

## REFERENCE 14-B

### CITY OF RENTON APPROVED PROPRIETARY FACILITIES FOR USE IN PUBLIC PROJECTS

The proprietary facilities summarized in Table 14.B are approved by the City for use in public projects. The General Use Level Designation (GULD) letters for each of the approved facilities listed in Table 14.B are included in Reference Section 14-A. These GULD letters outline the sizing requirements and maintenance requirements for each approved proprietary facility. Appendix A also includes more detailed maintenance information for the proprietary facilities listed in Table 14.B.

<b>TABLE 14.B PROPRIETARY FACILITIES AND APPLICABILITY</b>					
<b>Proprietary Facility Name</b>	<b>Basic WQ</b>	<b>Enhanced Basic WQ</b>	<b>Lake Protection</b>	<b>High-Use</b>	<b>Pretreatment</b>
BayFilter	X				
Filtterra System	X	X	X	X	
StormFilter using ZPG Media	X				
FloGard Perk Filter	X		X		

*(This page intentionally left blank.)*



---

**CITY OF RENTON**  
**SURFACE WATER DESIGN MANUAL**

---

**REFERENCE 15**

**REFERENCE MAPS**

**15-A FLOW CONTROL APPLICATION MAP**

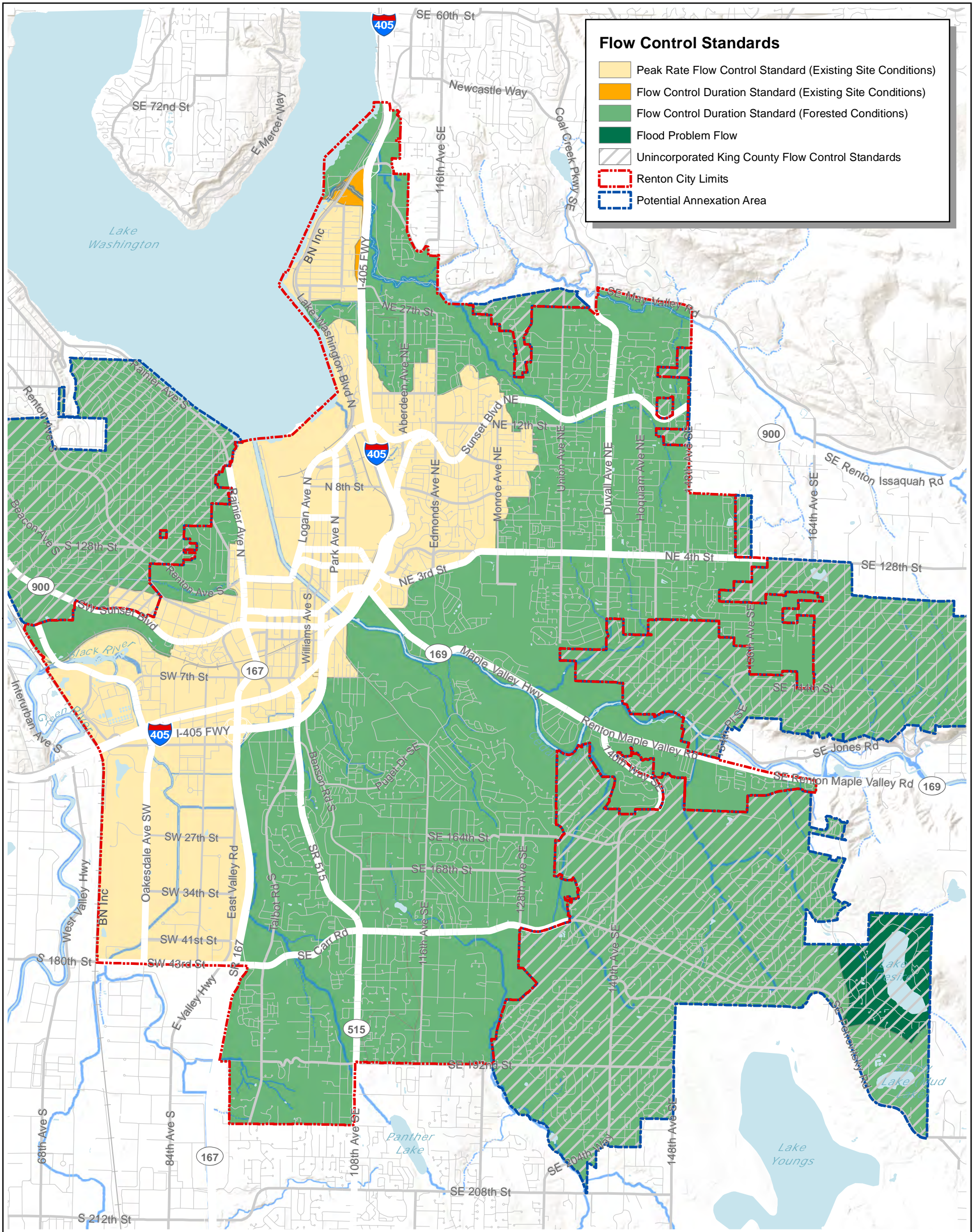
**15-B GROUNDWATER PROTECTION AREAS**

**15-C SOIL SURVEY**

---

*(This page intentionally left blank.)*

# Reference 15-A



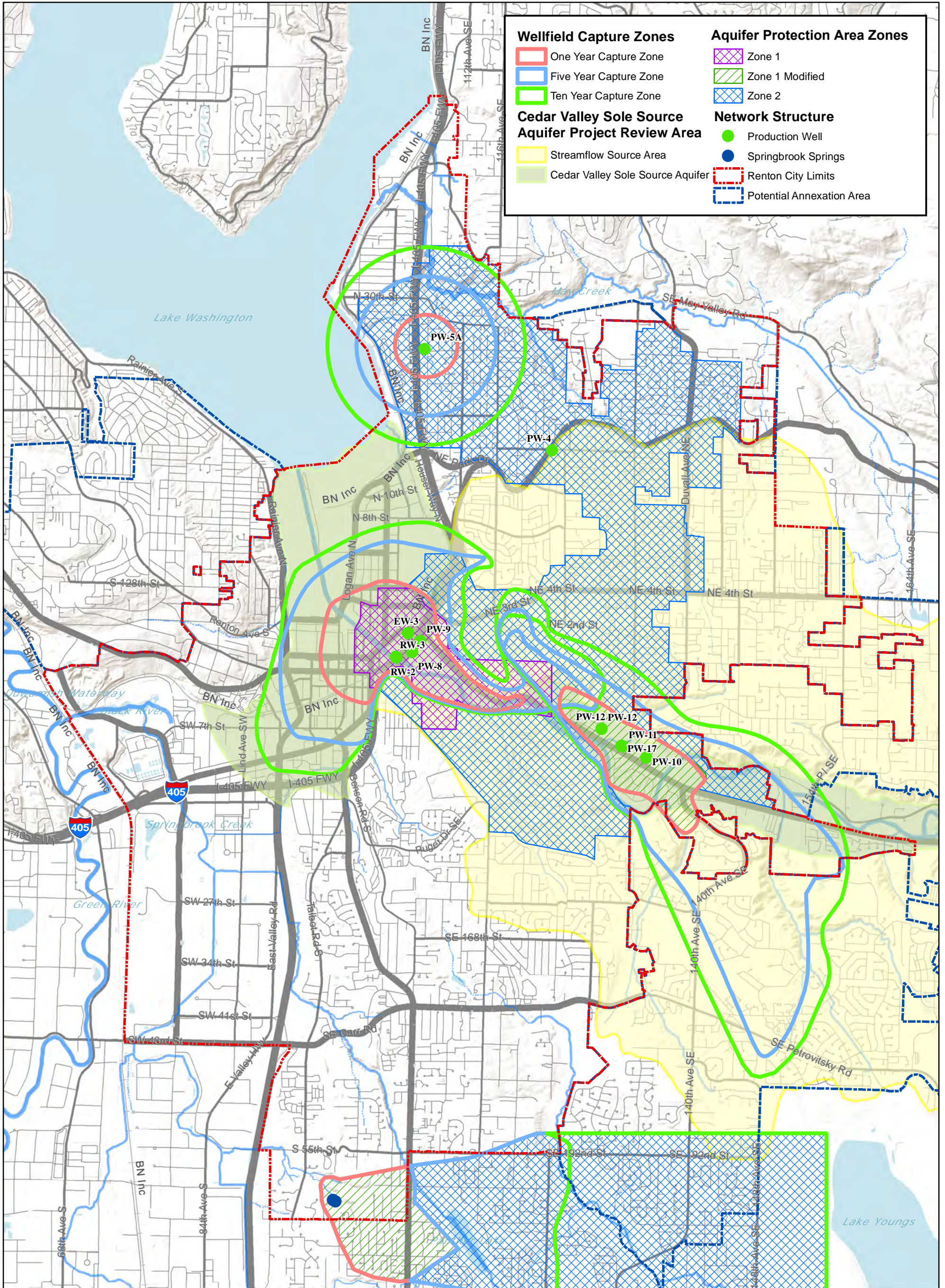
Date: 01/09/2014

# Flow Control Application Map



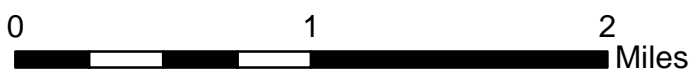
*(This page intentionally left blank.)*

# Reference 15-B



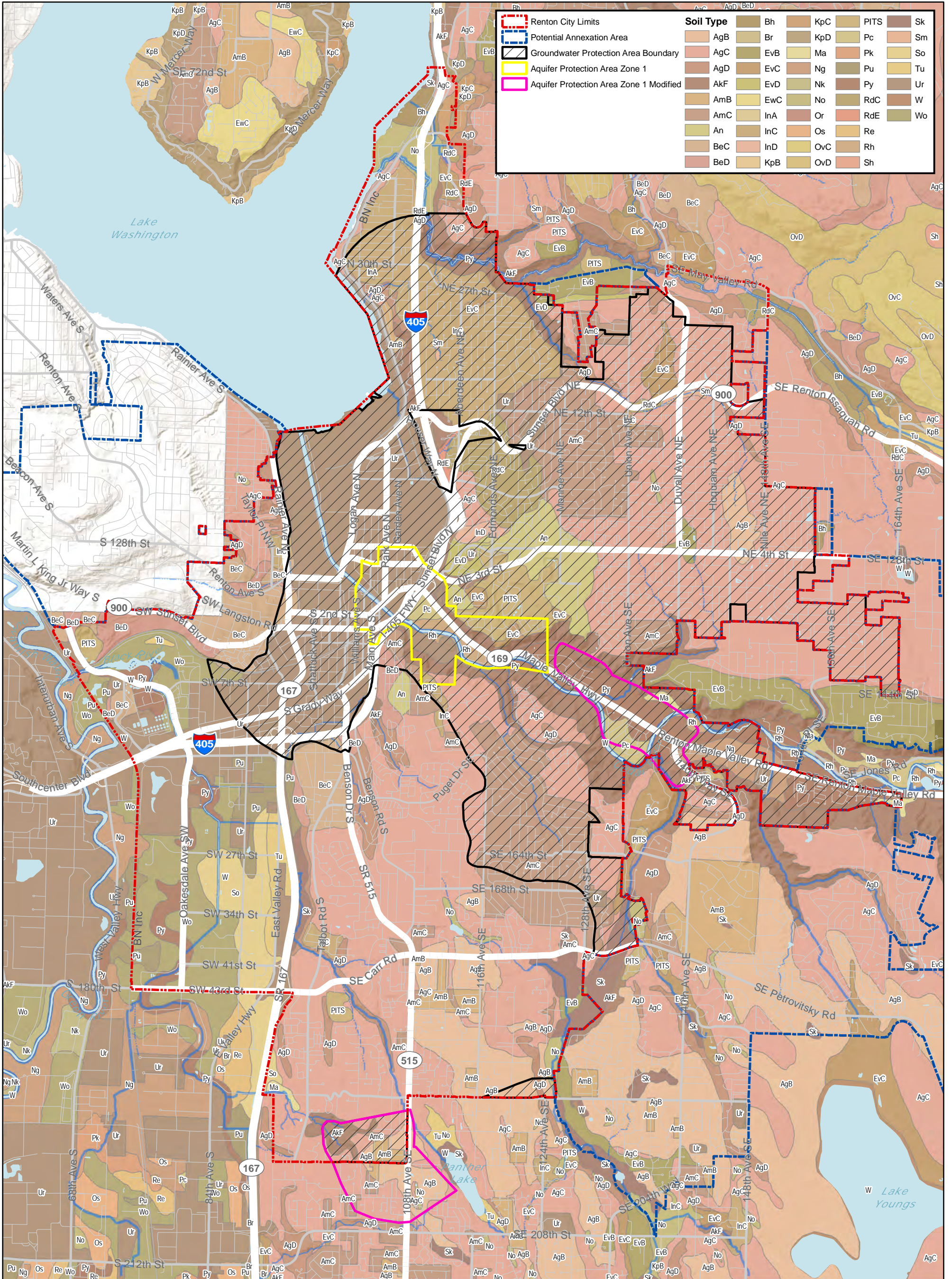
# Groundwater Protection Areas

Date: 01/09/2014



*(This page intentionally left blank.)*

# Reference 15-C



Date: 01/09/2014

# Soil Survey



*(This page intentionally left blank.)*