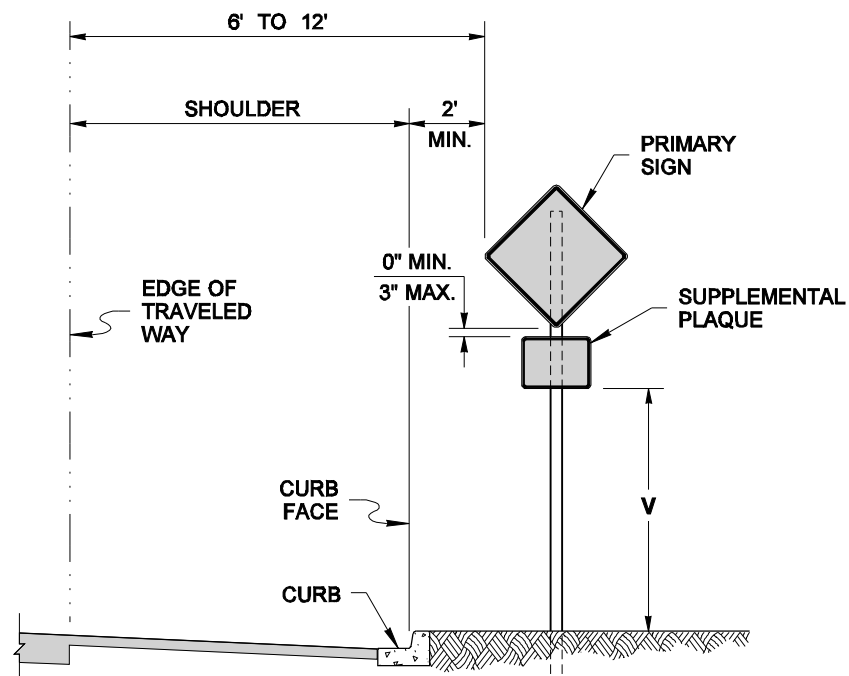
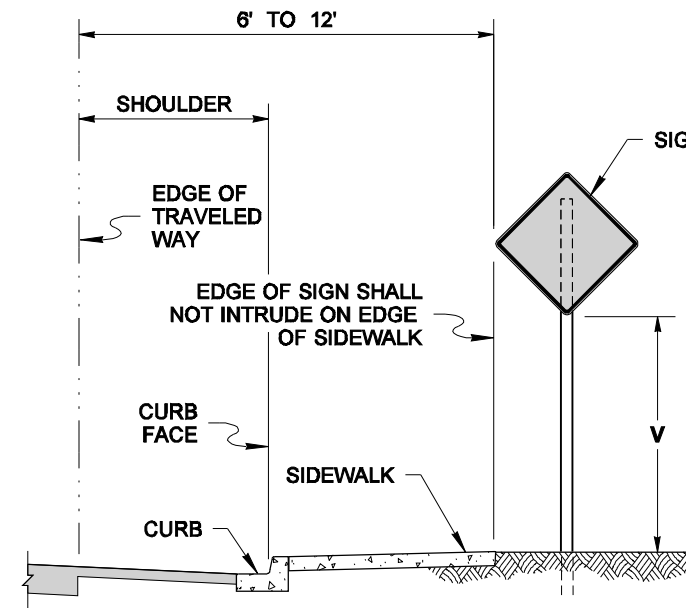


**SIGN INSTALLATION  
(FILL SECTION)**



**SIGN INSTALLATION  
(CURB SECTION)**

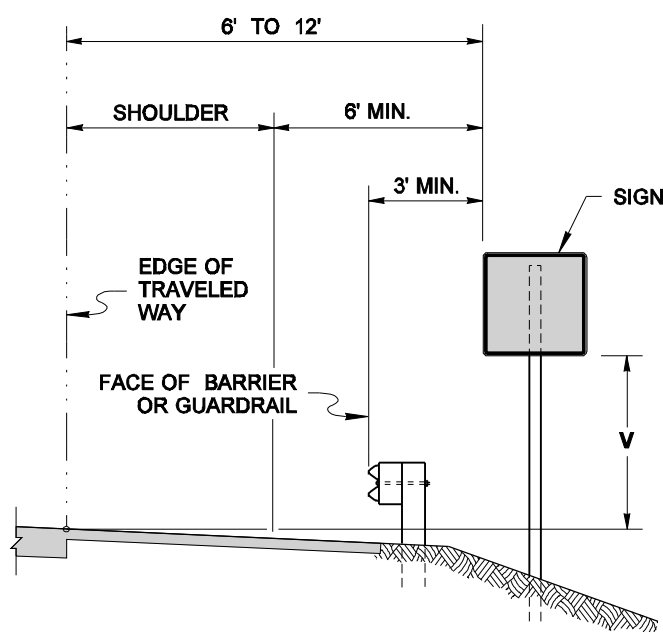


**SIGN INSTALLATION  
(SIDEWALK AND CURB SECTION)**

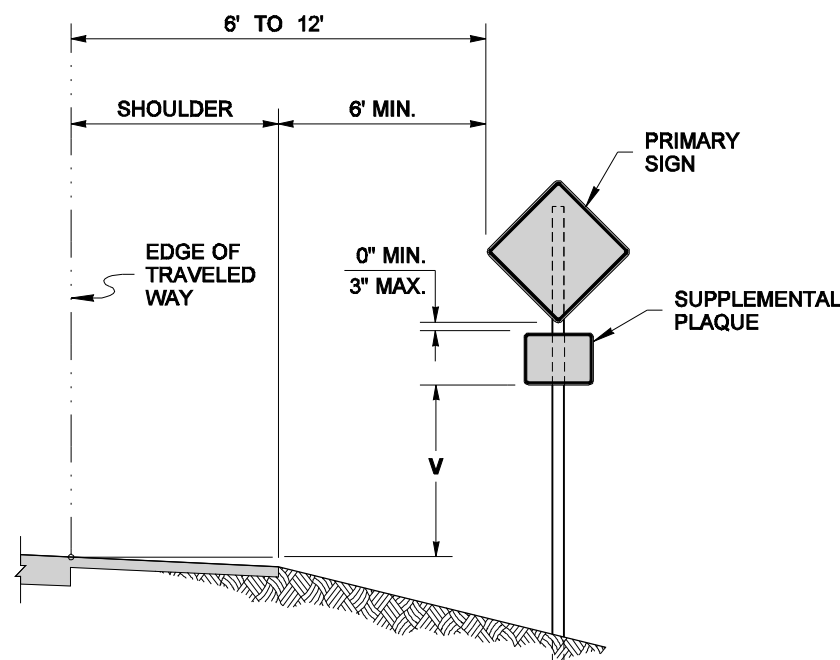
**NOTES**

1. For sign installation details, see Std. Plan G - series.
2. In rural areas, the "V" Height can be a minimum of 7 feet for primary signs and 6 feet for the supplemental plaques for greater visibility, as directed by the engineer.
3. The "V" height for signs, with an area of more than 50 square feet and two or more sign supports, is 7 feet in both rural and urban areas.

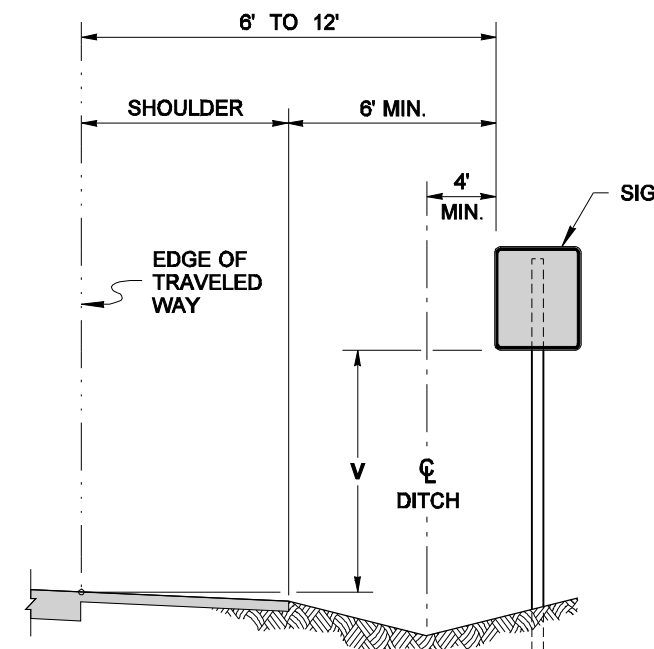
HEIGHT V		
	TO BOTTOM OF SIGN (NO SUPPLEMENTAL PLAQUE)	TO BOTTOM OF SUPPLEMENTAL PLAQUE (WHEN REQUIRED)
<b>RURAL</b>	5' MINIMUM	4' MINIMUM
<b>URBAN</b>	7' MINIMUM	6' MINIMUM



**SIGN INSTALLATION  
(BEHIND TRAFFIC BARRIER)**



**SIGN WITH SUPPLEMENTAL  
PLAQUE INSTALLATION  
(FILL SECTION)**



**SIGN INSTALLATION  
(DITCH SECTION)**



EXPIRES AUGUST 9, 2007

NOTE: THIS PLAN IS NOT A LEGAL ENGINEERING DOCUMENT BUT AN ELECTRONIC DUPLICATE. THE ORIGINAL, SIGNED BY THE ENGINEER AND APPROVED FOR PUBLICATION, IS KEPT ON FILE AT THE WASHINGTON STATE DEPARTMENT OF TRANSPORTATION. A COPY MAY BE OBTAINED UPON REQUEST.

**CLASS A  
CONSTRUCTION SIGNING  
INSTALLATION  
STANDARD PLAN K-80.10-00**

SHEET 1 OF 1 SHEET

APPROVED FOR PUBLICATION

**Ken L. Smith** 02-21-07  
STATE DESIGN ENGINEER DATE

