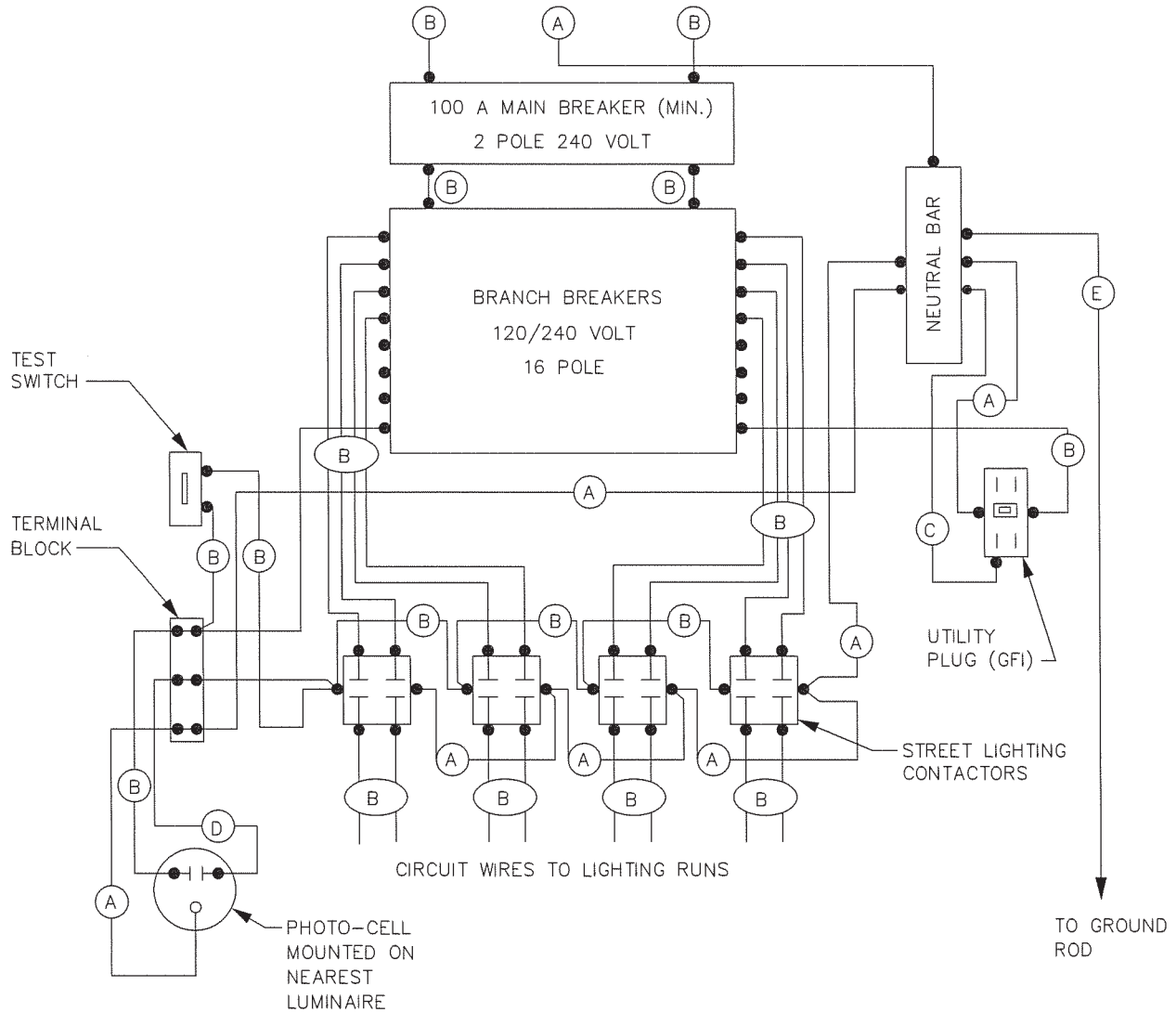


STREET LIGHTING CONTACTOR CABINET  
WIRING SCHEMATIC  
TYPE III SERVICE 120/240 VOLT



WIRING COLOR CODE

- A. WHITE JACKET (NEUTRAL)
- B. BLACK JACKET (LINE)
- C. GREEN JACKET (GROUND)
- D. RED JACKET (LOAD)
- E. GREEN OR BARE WIRE (GROUND)



PUBLIC WORKS  
DEPARTMENT

**STREET LIGHTING CONTACTOR  
CABINET SCHEMATIC**

**STD. PLAN - 123**

APPROVED  
*Doreen Zimmerman* 6/11/12  
DATE