



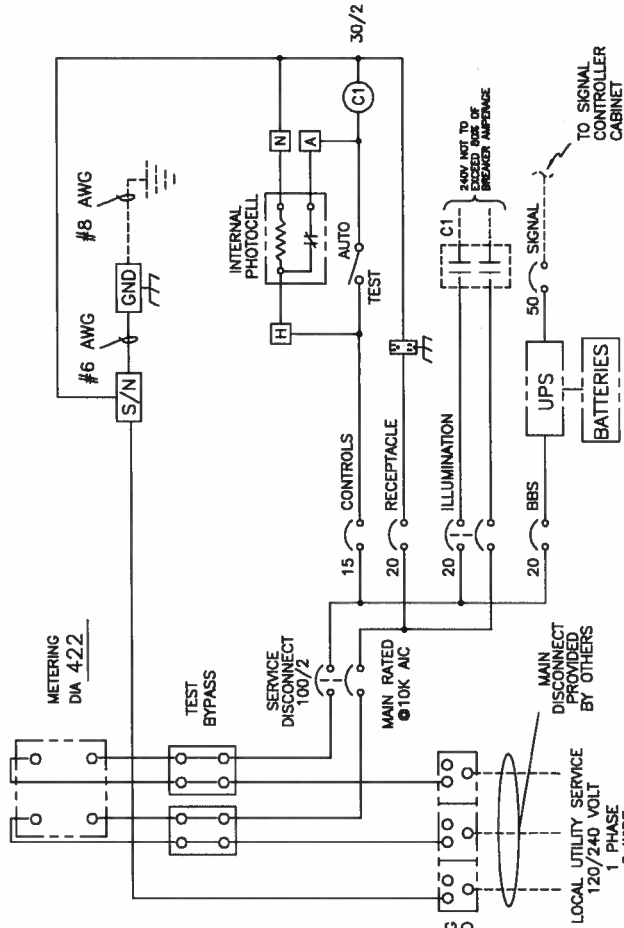
PUBLIC WORKS
DEPARTMENT

**SERVICE CAB W/ BBS ATTACHED
FOR SIGNALIZED INTERSECTIONS**

STD. PLAN - 122.2

APPROVED: *[Signature]* 3/16/15
DATE

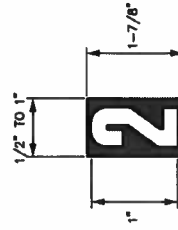
LABEL THE STREET FACING SIDE OF THE CONTACTOR CABINET WITH ITS ADDRESS NUMBER (W/O STREET NAME) USING AN ENGRAVED PHENOLIC NAMEPLATE WITH 2" HIGH BLACK LETTERING ON WHITE BACKGROUND. ATTACH NAMEPLATE WITH ADHESIVE



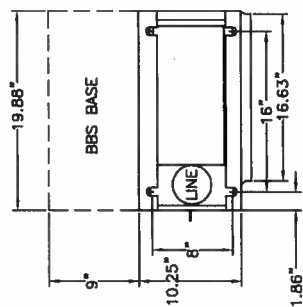
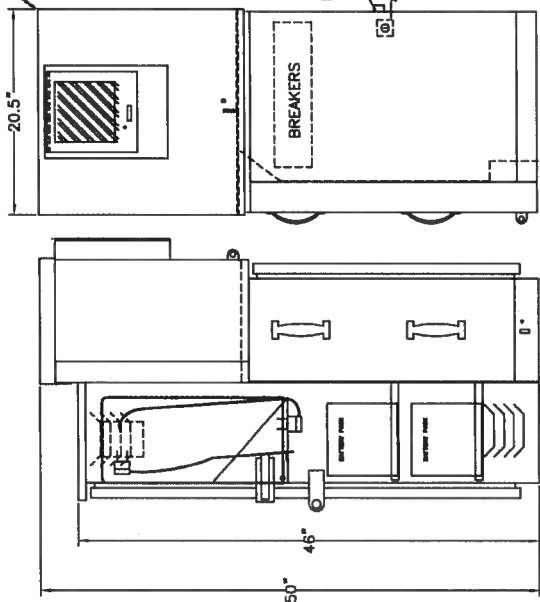
NOTE: LOAD CURRENT FOR ALL BREAKER NOT TO EXCEED 80% OF BREAKER AMPERAGE

ENCLOSURE CONSTRUCTION NOTES

1. EXTERIOR 1/8" ALUMINUM AND INTERIOR 14 GA GOLD ROLLED STEEL ELECTRICALLY WELDED AND REINFORCED WHERE REQUIRED.
2. CONSTRUCTION WILL BE NEMA 3R, RAIN/TIGHT.
3. ALL NUTS, BOLTS AND SCREWS WILL BE STAINLESS STEEL.
4. NUTS, BOLTS & SCREWS WILL NOT BE VISIBLE FROM OUTSIDE OF ENCLOSURE NAMEPLATES WILL BE PROVIDED AS REQUIRED.
5. ALL WIRING ENDS BY PERMANENT WIRE MARKERS.
6. A PLASTIC COVERED WIRING DIAGRAM WILL BE ATTACHED TO THE INSIDE OF THE FRONT DOOR.
7. ENCLOSURE WILL BE FACTORY WIRED AND CONFORM TO REQUIRED NEMA AND UL 508A STANDARDS.
8. ANODIZE AFTER FABRICATION



DECAL:
REFLECTORIZED GOTHIC GOLD OR WHITE
LEGEND ON BLACK BACKGROUND



BBS W/OPTIONS
HEATER
GEN SET
CORE LOCK